

# NCS31P Pharmaceutical Series Capacitive Point Level Switch

## Introduction

The NCS31P Life Sciences Series Capacitive Point Level Switch is designed to work with any liquid media in the pharmaceutical industry regardless of conductivity. The NCS31P is particularly suited for product / no-product indication in small lines sizes, capable of being installed in a zero dead leg fitting in as small as 3/4" lines. Additionally, the NCS31P excels in applications with highly viscous media that may cling to the sensor tip. All of this performance in the life sciences series package you expect from Anderson-Negele with appropriate product contact materials, certificates, and a stainless steel housing. Complete specifications and ordering information are available on the reverse.

For more information please visit our Web Site at [www.anderson-negele.com](http://www.anderson-negele.com), or contact your local Authorized Anderson-Negele Distributor.



## Features

- Conductivity independent
- Available in zero dead leg configuration for lines as small as 3/4"
- Fast reaction time
- Selectable sensitivity
- Simple installation and connectivity
- Complies with ASME BPE 2014

## Applications

- High / Low limit detection in vessels
- Empty pipe detection
- Pump dry run protection
- Product / no product detection in filter housings

**Specifications**

**OPERATION/ENVIRONMENTAL SPECIFICATIONS**

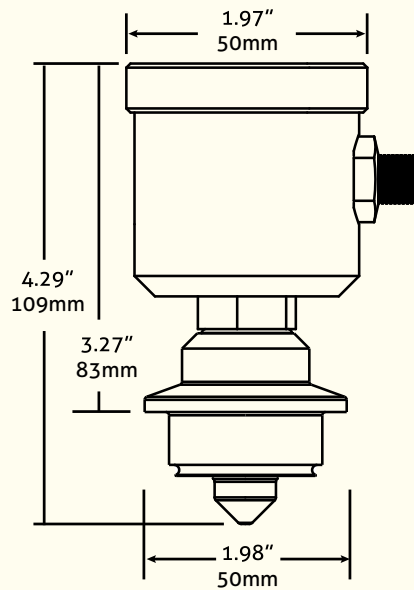
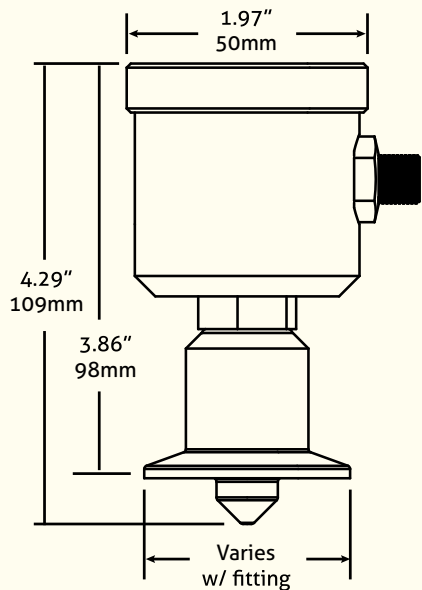
Ambient Temperature Limits:  
 14 - 140°F (-10 - 60°C)  
 Pressure Rating: 150 PSI (10 BAR) max  
 Process Temperature Limits:  
 32 - 212°F (0 - 100°C)  
 CIP Cleaning: 289° (143°C) for 120 minutes  
 Function: Full/empty signal determined by wiring  
 Response Time: 0.1s  
 Minimum Dielectric Threshold:  
 Selectable from 20-70

**ELECTRICAL SPECIFICATIONS**

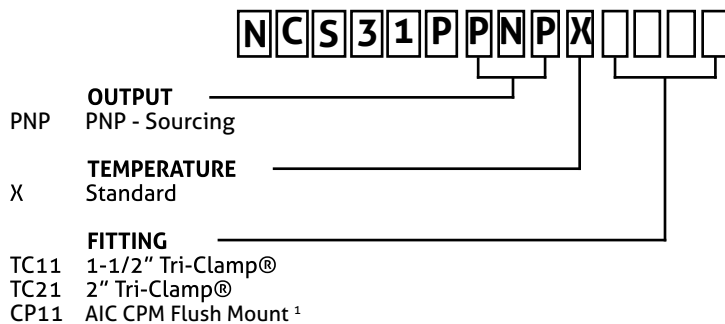
Voltage Required: 18 to 36 Vdc (≤ 20mA)  
 Power Consumption: 0.6 W Typ. (i.e. 25mA at 24 Vdc)  
 Signal Output: PNP - Sourcing (active 50mA)  
 Signal Transmission Power: ≤ 1mw  
 Connection: One 3 pin M12 Micro-mini electrical connector (QDR)

**MECHANICAL SPECIFICATIONS**

Wetted Materials: 316L SS, USP class VI PEEK  
 Material certificates included  
 Wetted Finish: Metal Surfaces Ra = 8 microinch max  
 Polymeric Surfaces = 25 microinch max  
 Surface finish certificate included  
 Housing Material: 300 series Stainless Steel housing, lid and threaded connection (non contact surfaces)  
 Enclosure Protection: NEMA 4X, IP69K  
 Agency Approval: CE compliant; ASME BPE 2012 compliant  
 Visual Indication  
 Status LED: Red - Probe Immersed  
 Green - Probe Dry  
 Warranty: 2 years



**Order Information**



<sup>1</sup> Not compatible with CPL03 (1/2" line size)

ACCESSORIES	
Field Wireable Connector-Straight	42119B0000
Shielded cordset w/25' cable	42117H0025
Shielded cordset w/50' cable	42117H0050
Shielded cordset w/100' cable	42117H0100