

Instruction Manual

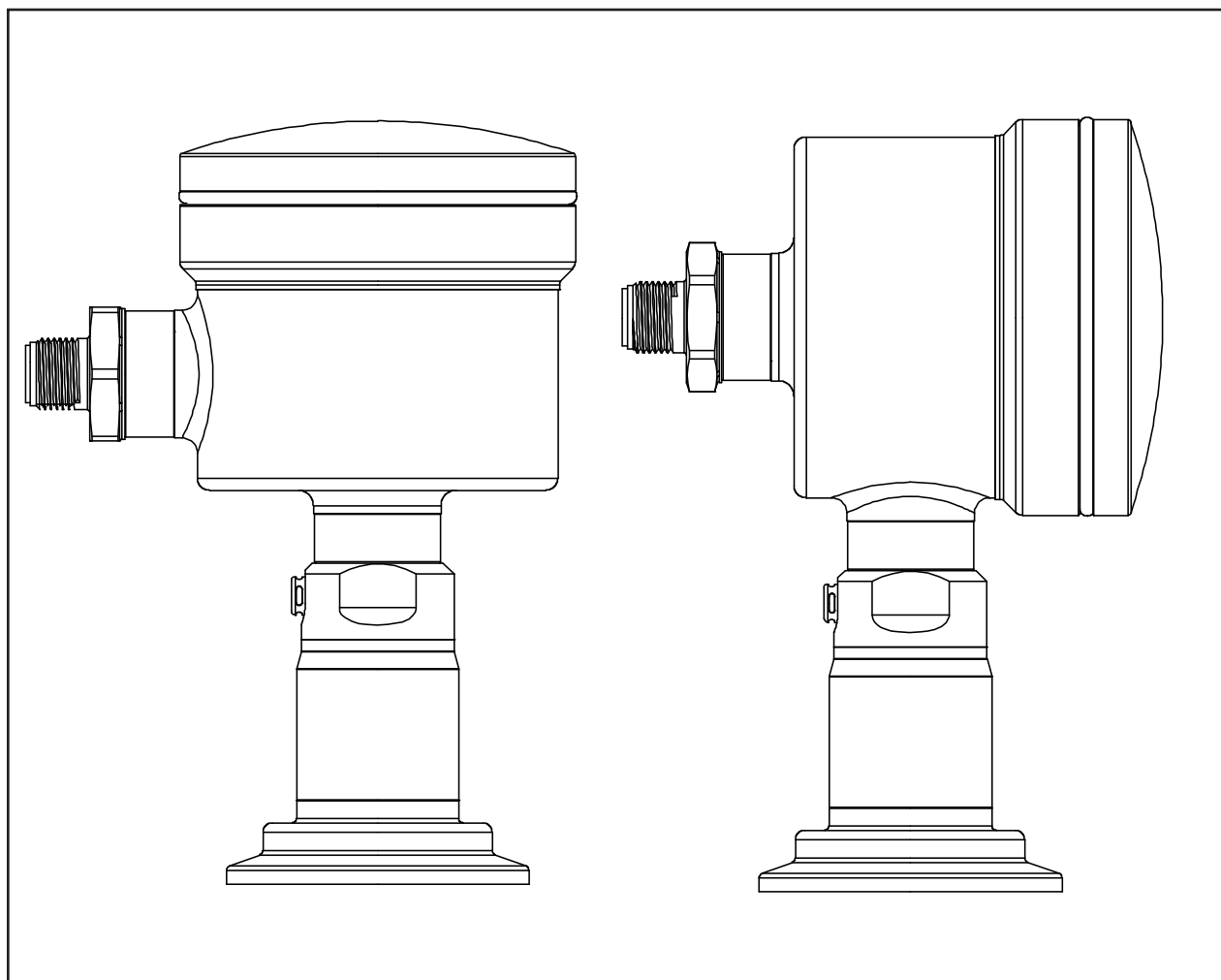


Anderson Instrument Co. Inc.
156 Auriesville Road
Fultonville, NY 12072
1-800-833-0081
www.anderson-negele.com

ANDERSON-NEGELE

Instrument Model Number _____

Instrument Serial Number _____



"L3" Pressure and Level Transmitter

Table of Contents

Section 1 - Introduction	5
1.1 - Specifications	5
1.2 - Warnings	6
1.3 - Dimensional Drawings	7
Section 2 - Theory of Operation, Description and Intended Use	8
Section 3 - Installation	8
Section 4 - Sensor Wiring	9
4.1 - M12 quick disconnect connection	9
4.2 - Direct Wiring	9
Section 5 - Instrument Wiring	10
5.1 - Loop Power	10
Section 6 - Modular Assembly	11
6.1 - Electronic puck replacement	11
6.2 - Separation of measurement cell (stem) from enclosure	11
6.3 - Reorientation of enclosure to stem	11
6.4 - Remote Kit and MPFs equipped with remote configuration	12
6.5 - Changing the Orientation	12
6.6 - Installing or replacing the remote transmitter kit	13
Section 7 - Configuration	14
7.1 - Home Screen Navigation	14
7.2 - Units	15
7.2.1 - Units Configuration for pressure output	15
7.2.2 - Units Configuration for volume, mass, and height outputs	16
7.3 - Range	17
7.3.1 - Configuring Range for pressure output	17
7.3.2 - Viewing Range for volume, mass, and height outputs	17
7.3.3 - Using the Autospan feature	17
7.4 - Tank Configuration	18
7.4.1 - Vertical Tanks	18
7.4.2 - Horizontal Tanks	19
7.4.3 - Dish Bottom Tanks	19
7.4.4 - Cone Bottom Tanks	20
7.4.5 - Custom Tanks	20
7.5 - Product Configuration	21
7.5.1 - Selection of Pre-loaded Products	21
7.5.2 - Configuration of Custom Products	21
7.6 - Alarm Configuration	22
7.7 - Switch Output Configuration	22
7.8 - Dampening	23
7.9 - mA Configuration	23
7.9.1 - mA Calibration	23
7.9.2 - Failure Mode Selection	23
7.9.3 - Loop Direction	24
7.10 - Re-zero	24
7.11 - Factory Reset	24
7.11.1 - Sensor Reset (Stem)	24
7.11.2 - Transmitter Reset (Puck)	24
7.12 - Device Information	25

Table of Contents (cont.)

Section 8 - HART Communicator Connection & DD (Device Descriptor) Menu Structure	26
8.1 - Attaching HART Communicator	26
8.2 - HART DD Menu Structure	26
Section 9 - Maintenance/Diagnostics	29
Section 10 - Warranty and Return Statement	31

Electric connection	Cable gland Plug-in connection	M16x1.5 M12 plug, 5-pin, 1.4305
Protection class		IP 67 (with cable fitting) / NEMA 4X IP 69 K (with plug-in connection)
Auxiliary voltage		18...35 V DC
Output	Current loop	analog 4...20mA and Hart 7.0
Tightening torque	For assembly, all L3 components	27 Nm (20 ft-lbs)
Weight		approx. 780 g

1.2 Warnings



Warning!

This unit accepts DC voltage only, connection to AC voltage can cause failure of the sensor and/or risk of electrocution



Warning!

Do not remove this sensor from the process while it is operating. Removal while the process is operating can contaminate the process and could cause human injury.



Warning!

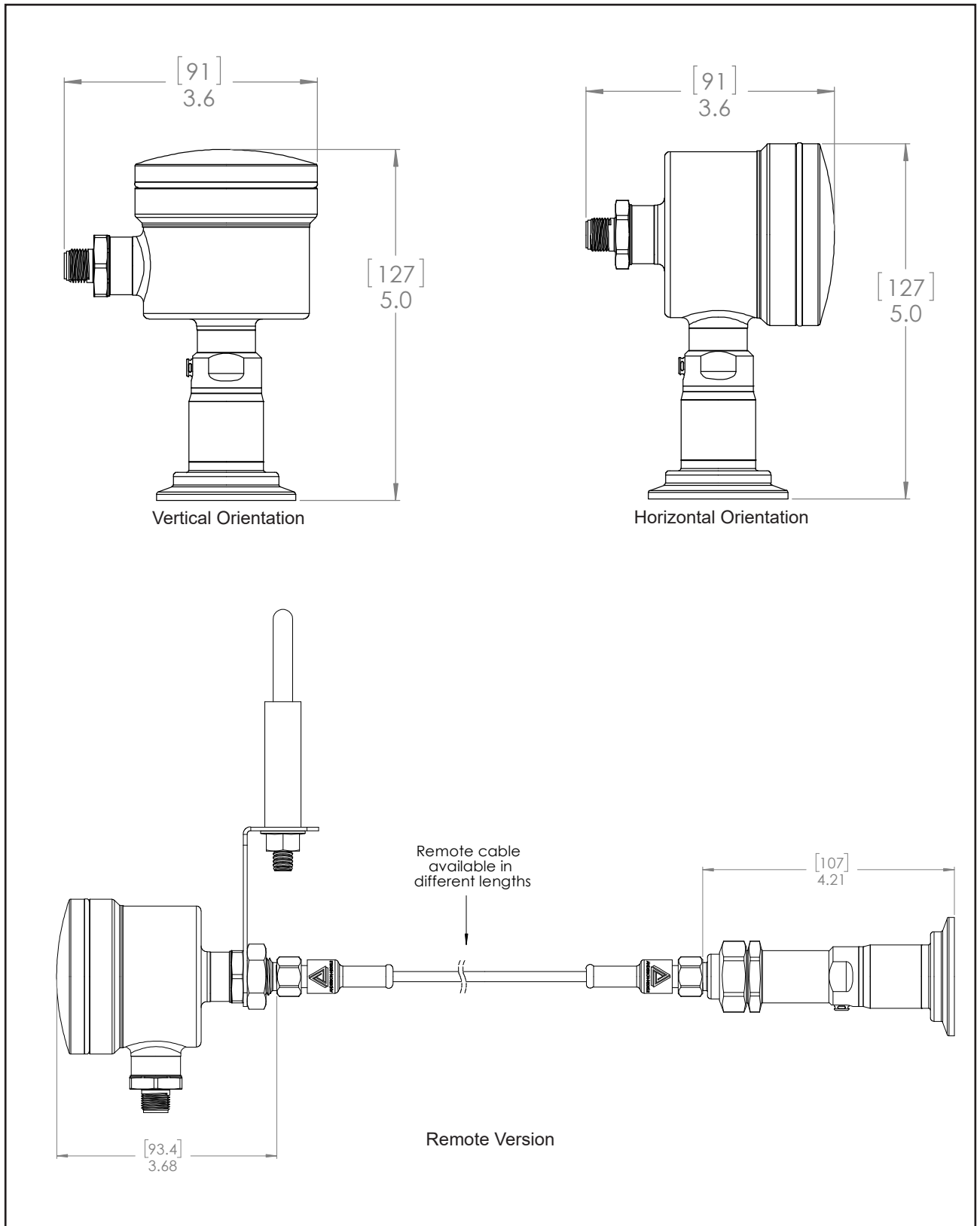
Do not subject this sensor to pressure that exceeds the specified upper range limit. Over-pressure may cause premature failure, incorrect output signal, or possible human injury.



Warning!

Before removing for service or calibration, ensure that residual product has been flushed from the line and that internal pressure has returned to atmospheric pressure.

1.3 Dimensional Drawings



Section 2 - Theory of Operation and Description

The Anderson - Negele L3 Pressure / Level transmitter may be used in applications where an analog output proportional to process pressure, hydrostatic head, or the volume or mass of a vessel's contents is needed for process or inventory control. This unit utilizes an internal piezoelectric transducer and an RTD temperature element to measure the pressure and temperature of the internal actuating fluid. The mV signal of the transducer and resistance of the RTD are measured and converted to a compensated pressure value by way of the signal acquisition board in the stem. This signal is digitally communicated to the head where the signal is converted to industry standard 4...20mA and Hart 7.0 signals. For relative sensors the back of the diaphragm is vented and the output is relative to the atmospheric conditions. In the case of the absolute sensors the measurement is relative to a theoretical perfect vacuum therefore the signal will vary with atmospheric conditions.

The integral display and four button interface shows the process variable, a graphical representation of the output and allows reconfiguration of the unit including the configuration of tank geometry and product density. All parameters may also be accessed through Hart communication.

The L3 Pressure / Level transmitter was designed specifically for liquid measurement applications in the food and beverage industry where accuracy in dynamic temperature environments is critical to process control. The measurement cell is integral to a welded sanitary diaphragm seal that is available in a variety of industry standard fitting styles and sizes. The process pressure deflects the metal diaphragm, transmitting the pressure to a transducer cell.

Section 3 - Installation

The physical installation is of the utmost importance with regard to sensor reliability. Transmitters must be installed in such a way that the device and cable are not subject to physical abuse. Additionally, moisture and or moist air must not be allowed to enter the sensor housing or cable.

NOTE: The installer assumes responsibility for preventing water or water-vapor from entering the sensor housing by proper installation of the cap and appropriate cable preparation. Units equipped with M12 Quick Disconnects are rated to NEMA 4X and IP69X. Cable gland equipped units are rated to NEMA 4X and IP67.

To facilitate electrical connections, your new L3 transmitter may be supplied with a 5pin M12 quick disconnect receptacle, an M16 cable gland, or a 1/2" NPTF threaded adaptor. If mounted horizontally, the cable connection should point downward. Also, to prevent entry of excessive moisture, it is highly recommended that conduits not be connected directly to the sensor. If conduit is to be run to the sensor, it is preferable that the watertight connector provided with each sensor not be removed from the sensor. Instead, run the flexible conduit as near to the sensor as possible and utilize a seal-tight connector at the end of the conduit. Allow a short amount of cable to run between the sensor and the flexible conduit. This isolates the sensor housing from the conduit system and any moisture it may contain. If the conduit is connected directly to the sensor, the chances are high that the sensor will eventually fail due to excessive water or water vapor entry into the housing.

NOTE: It is recommended that a sensor "Re-ZERO" be performed at time of installation. Refer to section 7.10, page XX for information on this procedure.

NOTE: It is recommended that a mA calibration be performed after installing a transmitter in a loop for the first time. Refer to section 7.9

Section 4 - Sensor Wiring

WARNING! This unit accepts DC voltage only, connection to AC voltage can cause failure of the sensor and/or risk of electrocution

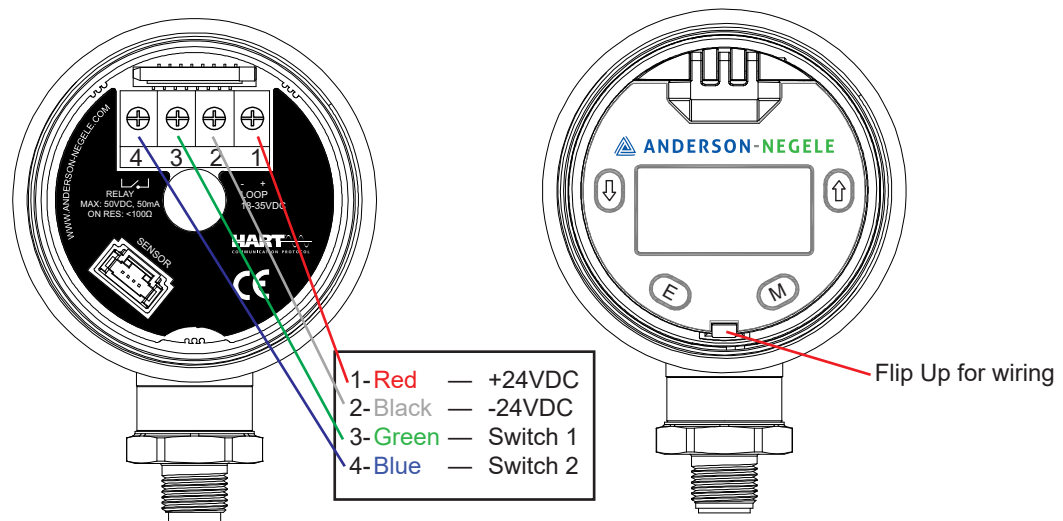
For wet environments requiring IP67 or greater environmental protection Anderson – Negele strongly recommends using the available shielded molded cord-sets utilizing the 5 pin M12 eurofast quick disconnect.

Anderson - Negele supplied cable meets all requirements for shielding and compatibility with the L3 quick disconnect receptacle. Anderson - Negele recommends a cable of 24 gauge, 4 conductor, shielded (Belden #9534) or equivalent. Four conductor cable is utilized because of its roundness as well as providing connections for the normally closed relay. A round cable provides a suitable seal when used with seal-tight connectors, strain reliefs and rubber grommets. Irregular shaped cable does not allow for a watertight seal.

If utilizing customer supplied cable, select a round cable with 22-24 AWG wire and a shield. In order for the Anderson provided seal-tight connector to seal on the cable, the O.D. of the cable must be between 3/16" and 1/4". If smaller cable is utilized, a different neoprene bushing must be used (must be customer supplied).

If an alternate seal-tight type connector is going to be used, be absolutely certain that the rubber bushing will adequately seal on the cable. Do not use a connector intended for power cable (large inside diameter) if the sensor cable is only 1/4". Be sure to use Teflon thread tape when attaching the new seal-tight connector.

4.1 M12 Quick Disconnect Connection



4.2 Direct Wiring

Direct wiring to the L3 transmitter is accomplished as follows:

1. Remove the housing cap and lift the hinged display lid by the pull tab to expose the terminals.
2. Insert the cable through the seal-tight connector, stripping back approximately 2 inches of sheathing to expose the wires.
3. Two wires will be utilized for the loop connection and two will be used to connect the normally closed contact. Normal color codes being RED (Loop +) and BLACK (Loop -); Green (switch side 1) and White (switch side 2). Trim off all unused wires, including the bare shield ground wire.

To prevent a GROUND LOOP condition, be sure the shield material and the shield ground wire do not touch the sensor housing. Use an insulator such as electrical tape or heat shrink tubing if necessary.

4. Strip the tips of the remaining wires back approximately 3/8 of an inch and twist strands (tinning is highly recommended).
5. Using Figure 2, make the proper connections to the wiring connector (located inside the housing)

Section 5 - Instrument Wiring

With the proper wiring connections made at the sensor end of the loop, it is now time to make final connections at the instrument end (input card) of the loop. The L3 may feed instruments such as Anderson - Negele digital display, microprocessor based controllers, chart recorders, or customer supplied instrumentation such as a PLC.

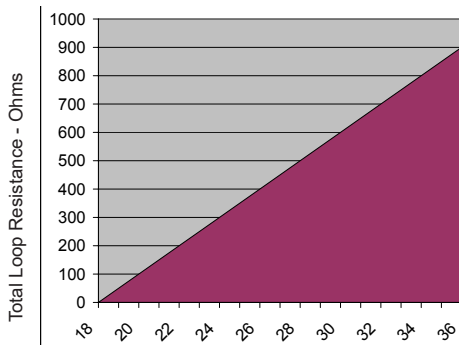
5.1 Loop Power

The Anderson L3 requires loop power for operation. Ratings are as follows:

L3 Transmitter: 18-35 VDC (Absolute), 24 VDC Nominal, regulated or unregulated.

As inherent resistance associated with cable length and signal receiver input may affect operation of the transmitter, Below shows some guidelines for loop power required.

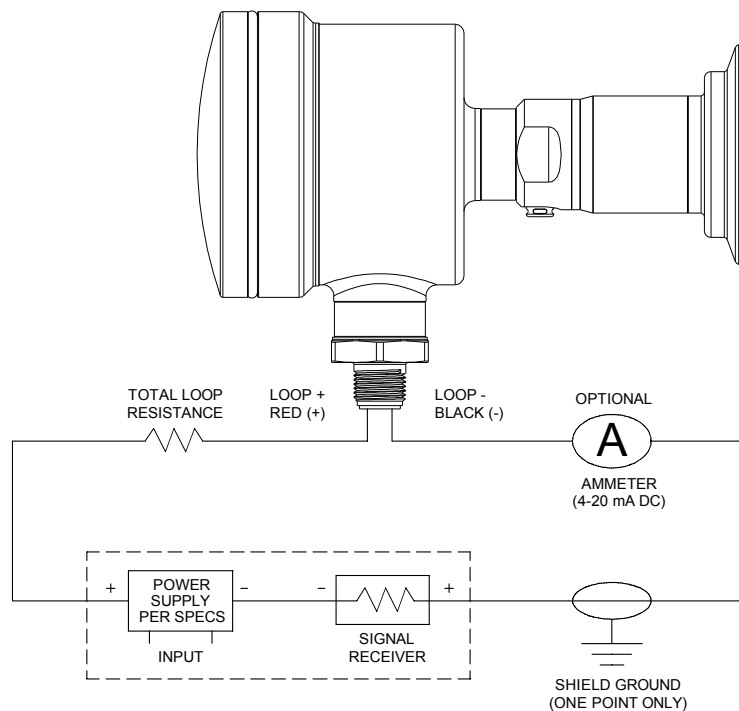
Loop Power Guidelines



Loop Power Supply Voltage - VDC

Please consult the Installation/Service Manual that was provided with your receiver for specific wiring instruction. Most Anderson receiver (displays, chart recorders, etc.) are capable of supplying loop power. Typical wiring would be as follows:

Sensor Wiring



Section 6 - Modular Assembly

The L3 transmitter consists of two distinct sections, transmitter (head) and sensor (stem) which individually are comprised of one or more components. Field replacement of these components is possible to accommodate orientation reconfiguration and component replacement.

6.1 Separation of the Sensor (Stem) from the Transmitter (Head)

This proceed will require immobilizing the enclosure. If a vice is used steps should be taken to protect the surface of the enclosure

1. Remove the housing cap and lift the hinged display lid by the pull tab to expose the terminals and sensor connection
2. Gently squeeze clip connector and remove sensor ribbon from socket on transmitter
3. Unscrew stem from enclosure. Factory torque spec is 20ft-lbs.
4. Reverse to install

6.2 Replacement of the Sensor (Stem)

1. Replacement of the sensor will require separation of the sensor and transmitter. Please see section 6.1 above
2. Thread the replacement sensor into the desired transmitter opening (horizontal or vertical orientation) and tighten to 20ft-lbs.
3. Carefully insert the sensor clip connector into the socket on the transmitter
4. If a sensor of identical range is used no further action is required
5. If a new sensor range is connected please reconfigure the Range as shown in section 7.3 page XX
6. Reinstall the L3 transmitter in the process and perform a re-zero Section 7.10

6.3 Replacement of the Transmitter (Head)

1. Replacement of the sensor will require separation of the sensor and transmitter. Please see section 6.1 above
2. Thread the replacement transmitter onto the sensor using the desired transmitter opening (horizontal or vertical orientation) and tighten to 20ft-lbs.
3. Reconfigure the following transmitter parameters:
 - Dimension and Density units Section 7.2 (only if volumetric, mass, or height units are used)
 - Tank Configuration Section 7.4 (only if volumetric, mass, or height units are used)
 - Product Configuration Section 7.5 (only if volumetric, mass, or height units are used)
 - Primary Variable (PV) Units Section 7.2 if pressure units are used
 - Range Section 7.3 if pressure units are used
 - Complete Alarm configuration Section 7.6 if alarms are used
 - Complete Switch Output Configuration Section 7.7 if the switch output is used
 - Confirm the Dampening value is set correctly Section 7.8
 - Complete the mA configuration Section 7.9
4. Reinstall the L3 transmitter in the process and perform a re-zero Section 7.10

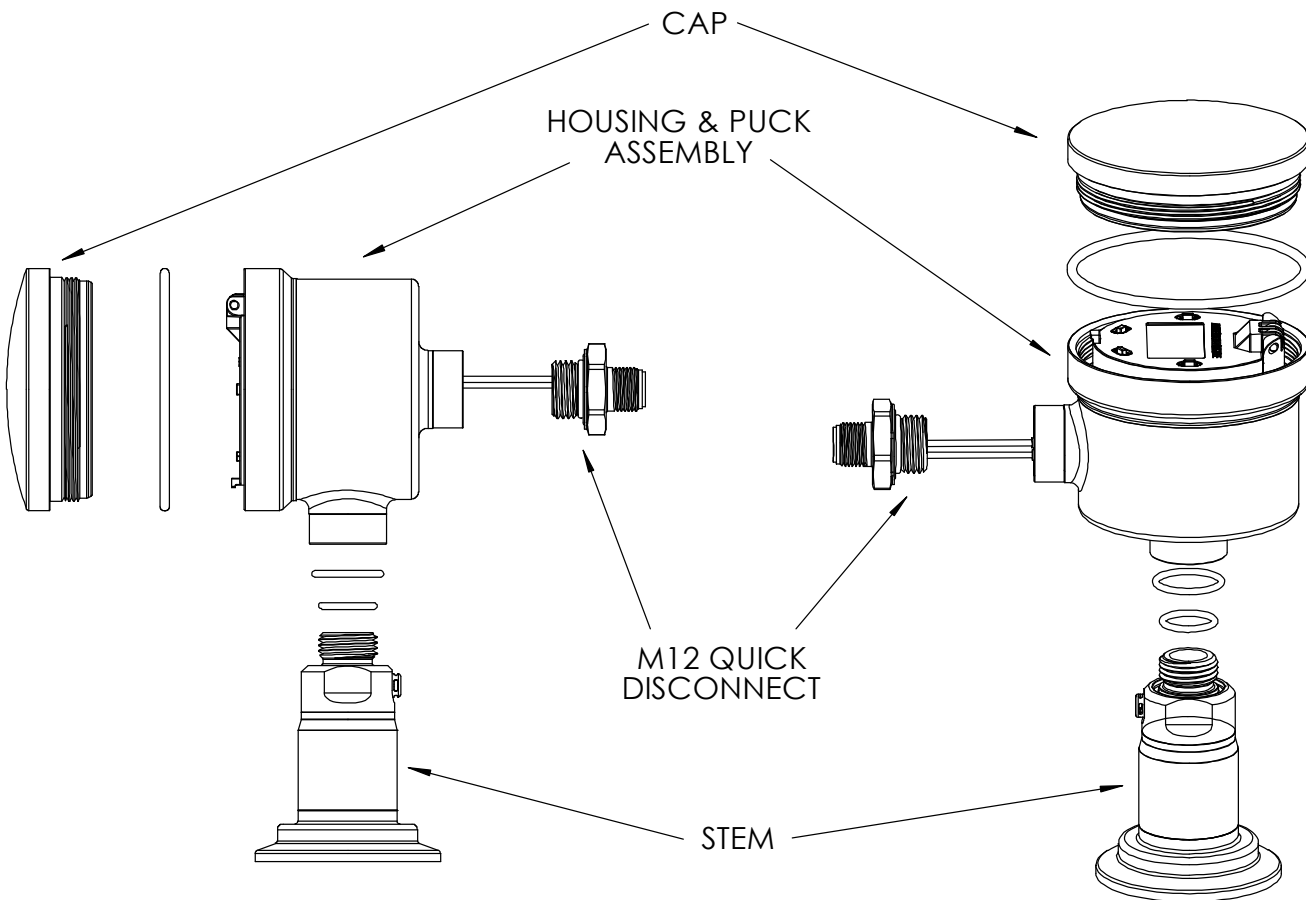
6.4 Replacement of the Electrical Receptacle

This proceed will require immobilizing the enclosure. If a vice is used steps should be taken to protect the surface of the enclosure

1. Remove the housing cap and lift the hinged display lid by the pull tab to expose the terminals and sensor connection
2. Disconnect the 4 wires from the terminal block using a Philips screwdriver
3. Unscrew the electrical connector from the transmitter housing
4. Thread the replacement receptacle into the desired transmitter opening (horizontal or vertical orientation) and tighten to 20ft-lbs.
5. Reconnect the wires to the terminal block as shown in Section 4.
6. Push the hinged display lid closed and tighten the cap firmly back in place.

6.5 Changing the Orientation

1. Disassemble the transmitter by following steps 1-3 of Section 6.1 and steps 1-3 of Section 6.4
2. Swap the locations of the electrical connector and sensor in the transmitter housing and reassemble as described in steps 2-3 of Section 6.2 and Steps 4-6 of section 6.4.



6.6 Installing or replacing the remote transmitter kit

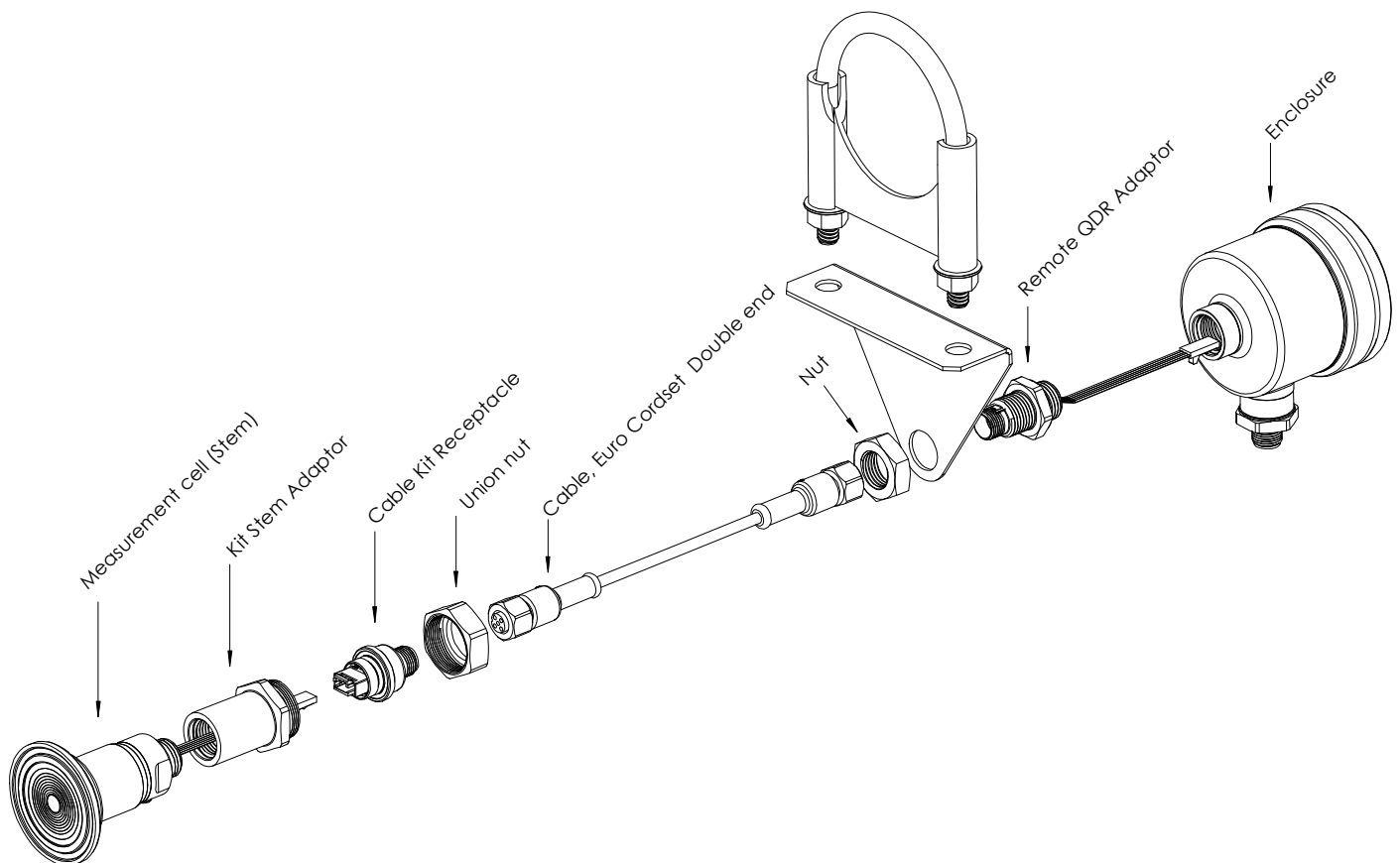
The L3 series may be configured or retrofitted with remote cabling allowing the housing and display (if equipped) to be mounted up to 25 feet from the process connection. The remote cabling preserves the modular design and may be removed or added from the L3 at the user's discretion.

Adding the Remote kit.

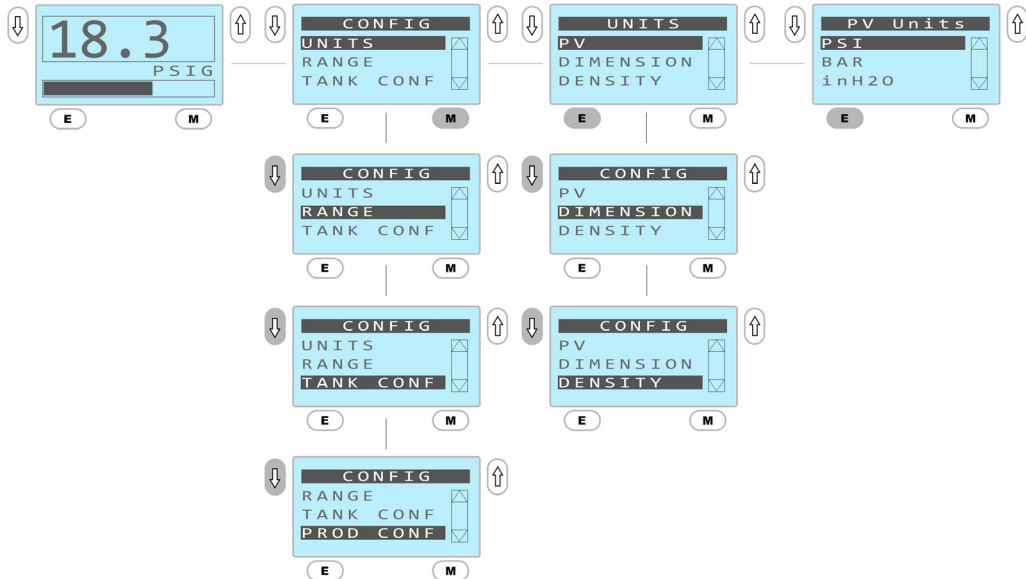
Note: all threaded connections to be torqued to 20ft-lbs

1. Separate the Sensor (stem) from enclosure as described in Section 6.1
2. Attach remote kit cabling to sensor
 - Route stem ribbon cable through stem adaptor. Screw on adaptor
 - Connect ribbon cable connector to cable kit receptacle and carefully fold excess ribbon cable into stem adaptor
 - Insert cable kit fitting into stem adaptor. Secure by threading on union nut
3. Attach remote QDR adaptor to desired enclosure opening
 - Carefully insert ribbon cable through enclosure opening
 - Screw remote QDR adaptor into place
 - Connect ribbon cable connector into sensor receptacle on puck
4. Attach pipe mount adaptor to remote QDR adaptor and secure with nut. Position as required.
5. Attach remote kit M12 plug to remote QDR adaptor
6. Reverse to un-install.

WARNING! To avoid possible ribbon cable damage, remove union nut and unplug ribbon from socket before removing stem adaptor from stem.



The general navigation scheme of the device is shown below:



Pressing the up and down arrows moves the highlighted item.
 Pressing “E” while an item is highlighted selects that menu item
 Pressing the “M” button moves back one level

7.2 - Units

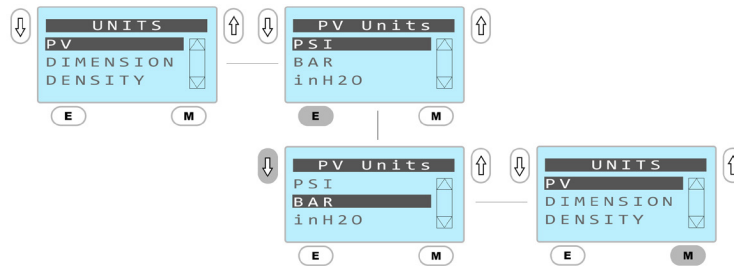
There are three units which may be chosen for the transmitter.

- **PV** – represents the units of the primary variable to be transmitted. This may be pressure, volume, mass, or height
- **Dimension** – represents linear measurement units to be used when describing tank dimensions and may be chosen in Inches or meters
- **Density** – represents the density or specific gravity units products will be described with.

7.2.1 Units Configuration for Pressure Output

If the transmitter is to be used as a pressure measurement device or as a hydrostatic level measurement device with the following units of output this menu should be used: PSI, Bar, in of H2O, mm of H2O, mm of HG, mBar, or kPA

If Pressure units will be used, dimension and density units do not need to be chosen as tank and product configurations are not required.



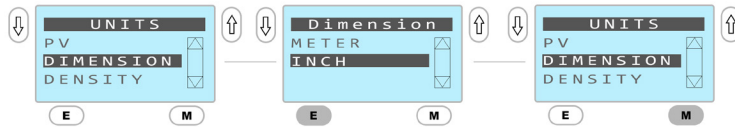
Once the desired units are highlighted pressing the “M” button will store the selection and move up one level in the menu. Once units are changed all unit dependent menus will change to those units. For example: range, alarms, etc

7.2.2 Units Configuration for Volume, Mass, and Height Outputs.

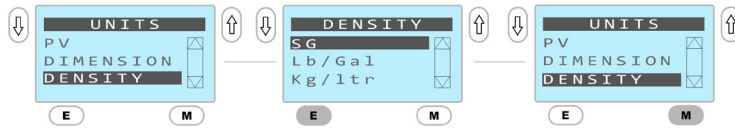
Units of height, (inches and mm) will scale relative to fluid level compensated for density. Units of volume and mass (KG, LB, Gallon, Liter, HectoLiter, PCT vol) will output linearly with respect to those variables compensating for nonlinear portions of a vessel. The display will show the volume or mass located below the bottom of the sensor when no product is present and will respond after product covers the sensor diaphragm. Hectoliter option is available only on firmware revision L3H.01.06.0 and later.

To configure a unit for volume, mass or height outputs the following actions must be taken.

1. Choose the dimension units as shown:

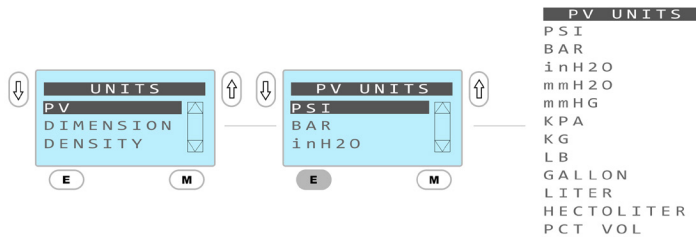


2. Select the density units as shown:



*note SG refers to specific gravity

3. Complete the tank configuration as shown in section 7.4
4. Complete the product configuration as shown in Section 7.5
5. Return to the Units menu to configure the primary variable (PV) units as shown:



*Once a tank is selected and density is entered the full list of units is available

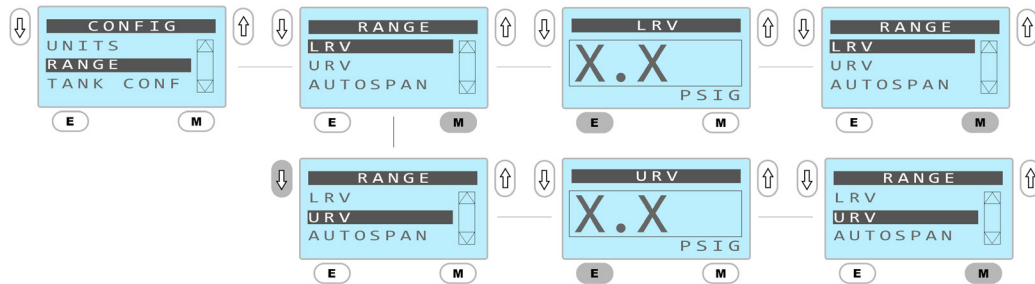
Once the desired units are highlighted pressing the “M” button will store the selection and move up one level in the menu. Once units are changed all unit dependent menus will change to those units. For example: range, alarms, etc Units of height, (inches and mm) will scale relative to fluid level compensated for density. Units of volume and mass (KG, LB, Gallon, Liter, PCT vol) will output linearly with respect to those variables compensating for nonlinear portions of a vessel. The display will show the volume or mass located below the bottom of the sensor when no product is present and will respond after product covers the sensor diaphragm.

7.3 - Range

The Lower Range Value (LRV) and Upper Range Value (URV) may be chosen when the sensor is used with pressure units. When height, volume, or mass units are used the LRV and URV are calculated automatically but may be viewed to aid in PLC programming. The L3 is also capable of setting the span based on the pressure applied to it (autospans).

7.3.1 Configuring Range for Pressure Output

The menu below shows adjustment of the LRV and URV for pressure output ranges. It should be noted that the PV units should be set to the desired units before performing this action.

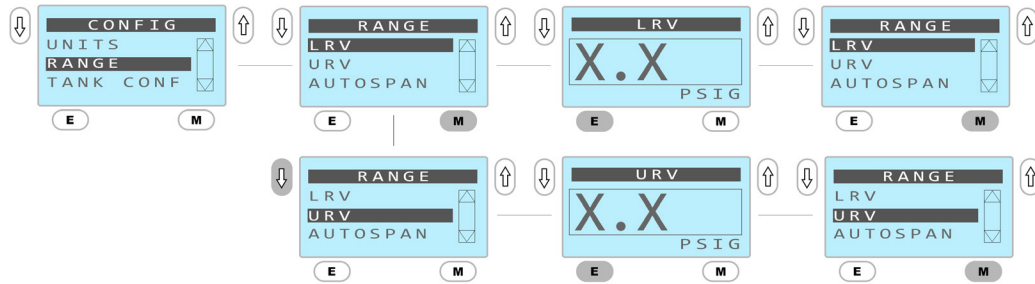


When the LRV or URV is displayed the Up and Down arrows may be used to adjust the value as desired. The LRV may be set from vacuum to 0 for gauge sensors, except 5 PSI sensors which are adjustable from -5 PSI to 0 (the LRV is not adjustable for absolute sensors).

The URV may be set from 10% of the sensor limit up to the sensor limit.

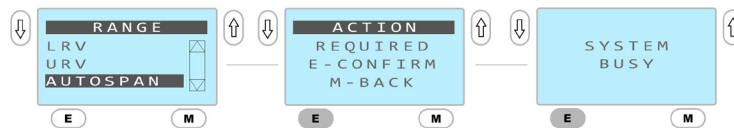
7.3.2 Viewing Range for Volume, Mass, and Height Outputs

When in volumetric, mass, or height units the LRV and URV are calculated automatically based on the tank dimensions and product density. The calculated values may be viewed as follows:



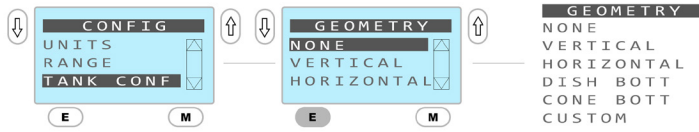
7.3.3 Using the Autospan Feature

The autospan feature may be used to set the URV based on the pressure on the sensor. This can only be done when pressure is present or a vessel is filled to the desired upper limit. Autospan can only be used with pressure units.



7.4 – Tank Configuration

To configure tanks, drawings or measurements must be available. Tanks must be configured to use height, volume, or mass units. Dimensional units should be chosen as shown in section 7.2.2. The tank type should be chosen as follows:

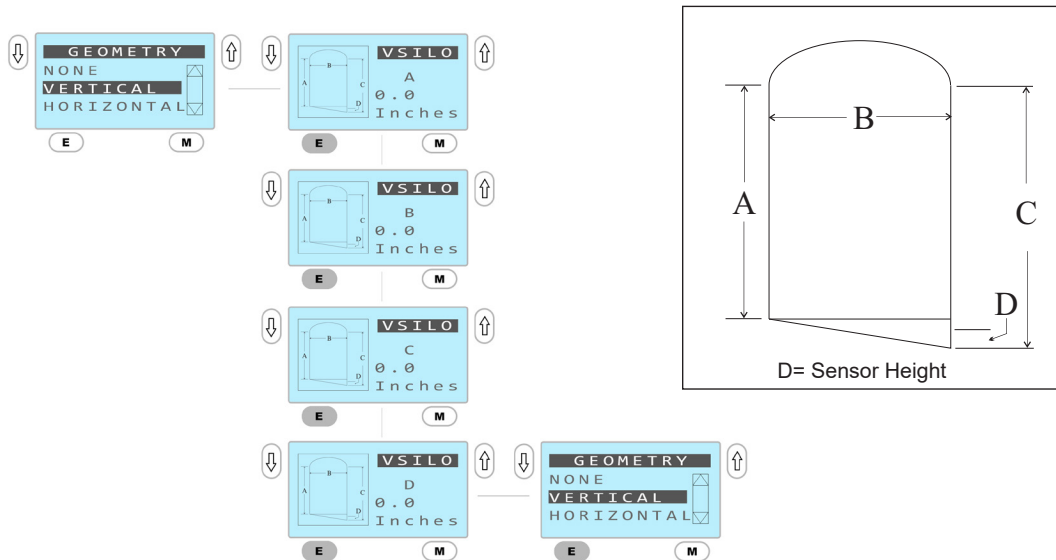


If tank dimensions are not entered or are not compatible with the sensor range the following message will appear.



When this message is displayed the geometry menu cannot be exited until the dimension error is fixed unless tank geometry of “none” is selected.

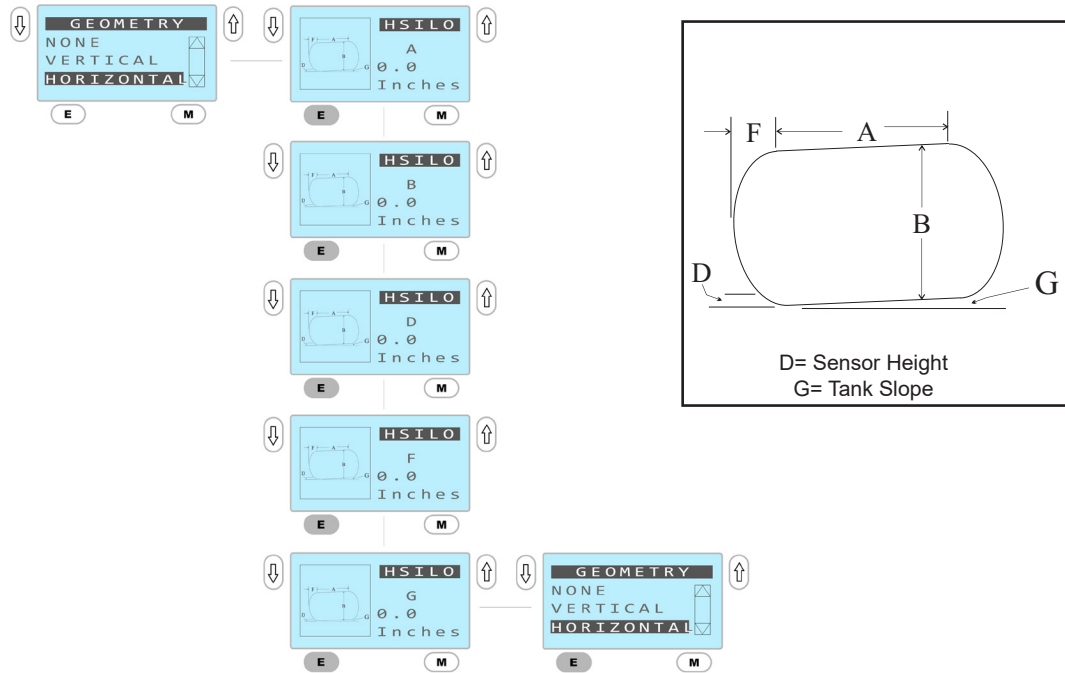
7.4.1 – Vertical Tanks



Increment the value of each dimension using the up and down arrows until the desired measurement is set. Press “E” to move to the next dimension.

7.4.2 – Horizontal Tanks

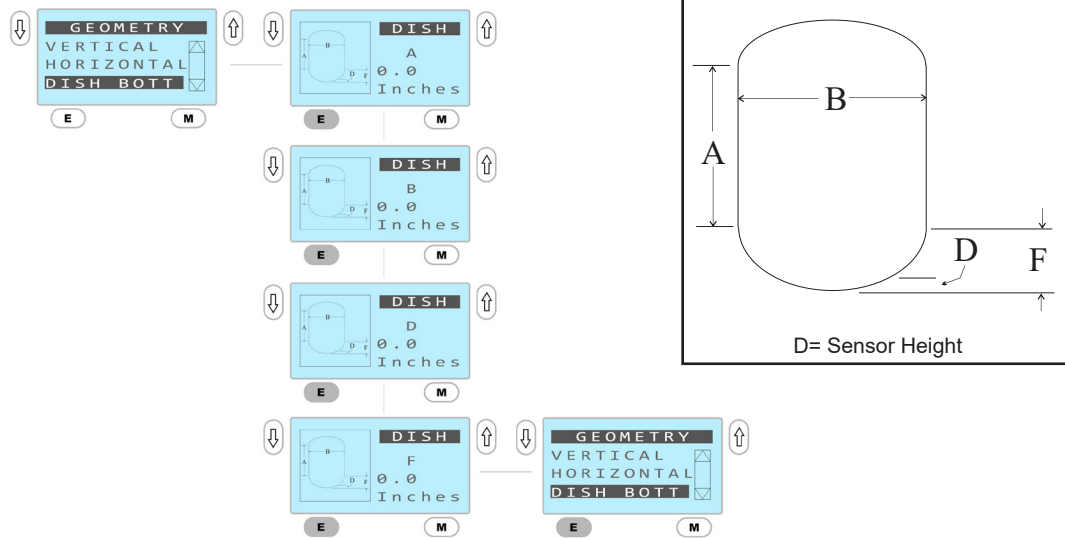
Dish ends are per the ASME standard



Increment the value of each dimension using the up and down arrows until the desired measurement is set. Press "E" to move to the next dimension.

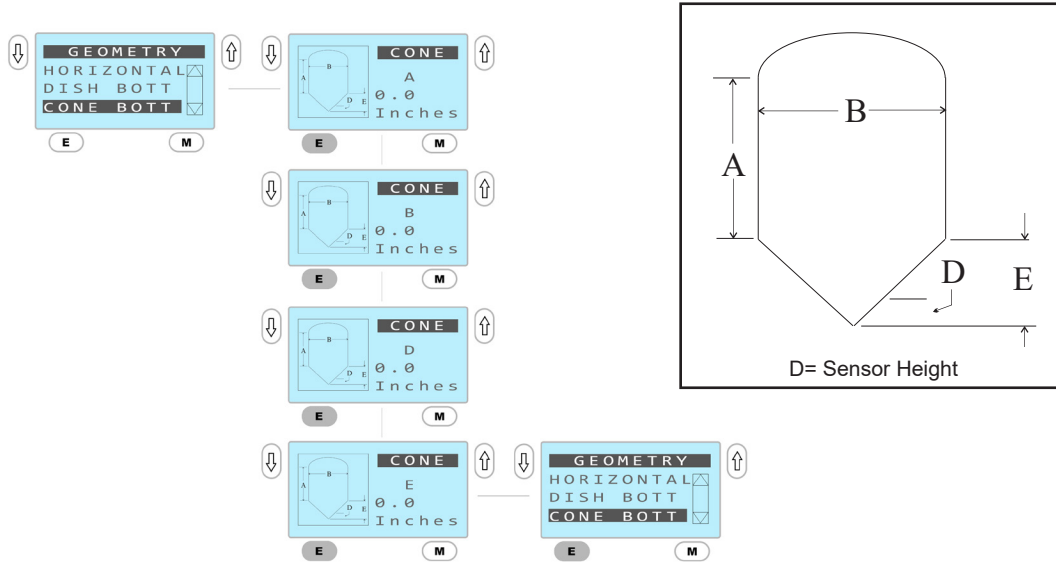
7.4.3 – Dish Bottom Tanks

Dish bottom is per the ASME standard



Increment the value of each dimension using the up and down arrows until the desired measurement is set. Press "E" to move to the next dimension

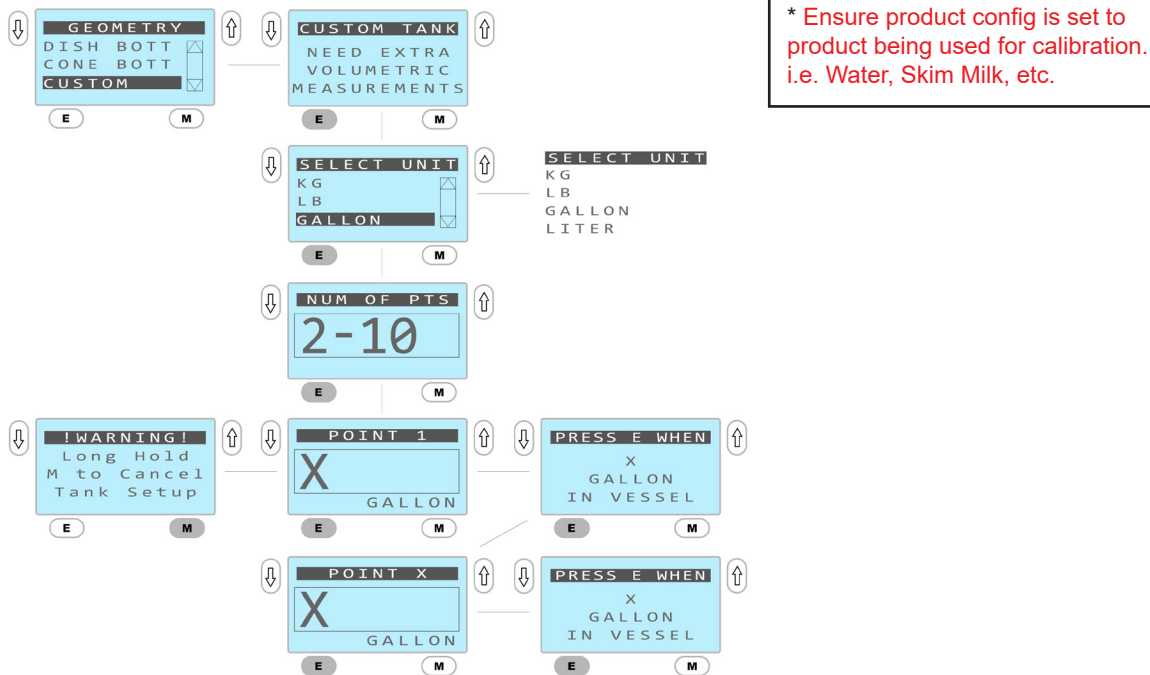
7.4.4 – Cone Bottom Tanks



Increment the value of each dimension using the up and down arrows until the desired measurement is set. Press “E” to move to the next dimension

7.4.5 – Custom Tanks

If the desired tank geometry is not available or tank drawings or dimensions are not available a wet calibration may be done to configure a custom tank. Please note this procedure requires a reference flow meter and must be done sequentially while filling the vessel*. The user must decide the number of points required and then pump the amount of process fluid into the vessel and assign that value. The process is a guided as shown below:



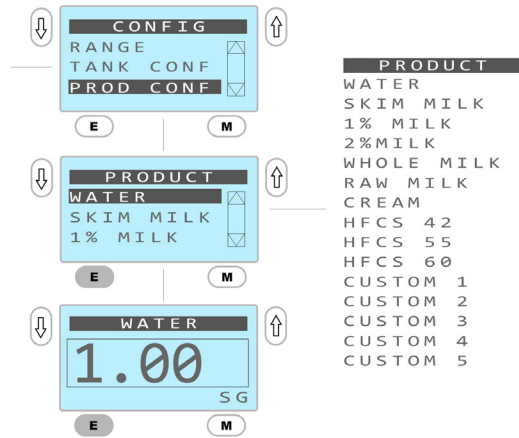
The up and down buttons may be used to select the number of points and the volume or mass present in the vessel.

7.5 – Product Configuration

Use of height, volume or mass units requires the selection of a product density. For the convenience of the user 10 common products are pre-loaded on the device and an additional 5 custom products may be stored at a time. When a new product is put in a tank it is important to change the product configuration to avoid errors in output due to changes in density.

7.5.1 Selection of Pre-loaded Products

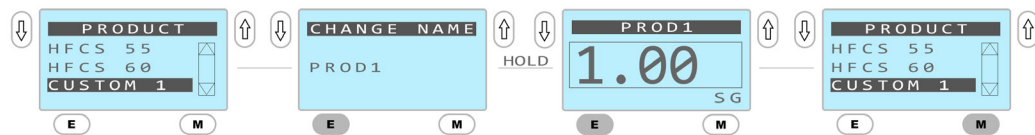
Pre-loaded products may be chosen from the product configuration menu as shown:



10 products come pre-loaded with densities in the units chosen. Adjustments can be made with the up and down buttons when the value is shown.

7.5.2 Configuration of Custom Products

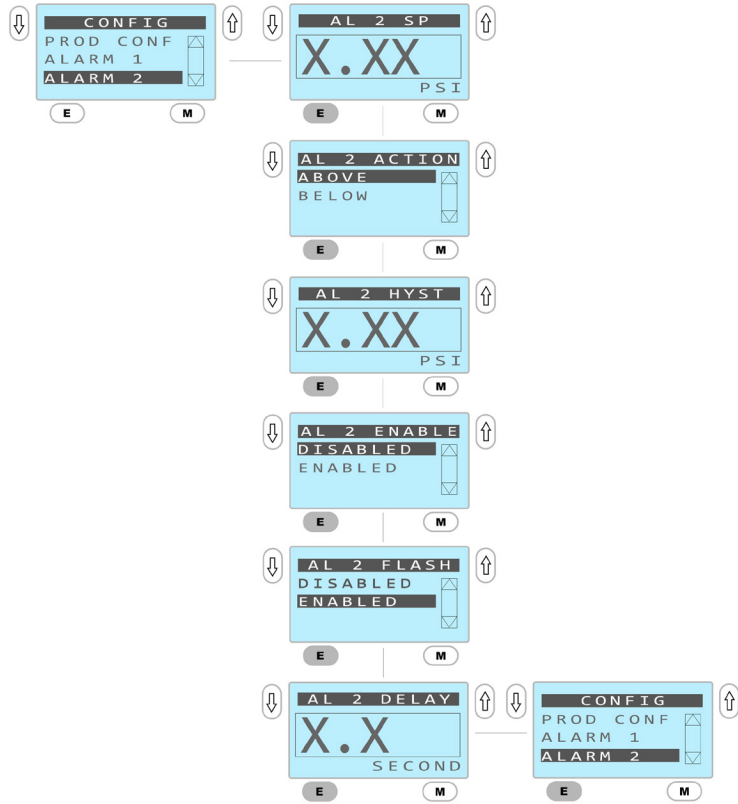
If the customer's product is not preloaded it may be programmed as one of the available 5 custom products. Once configured with a name and density value the custom product may be highlighted to select for use.



Up and down arrows increment characters and value. E moves to the next character and Long Hold E moves to the Value. Alpha numeric values and symbols may be used in the name.

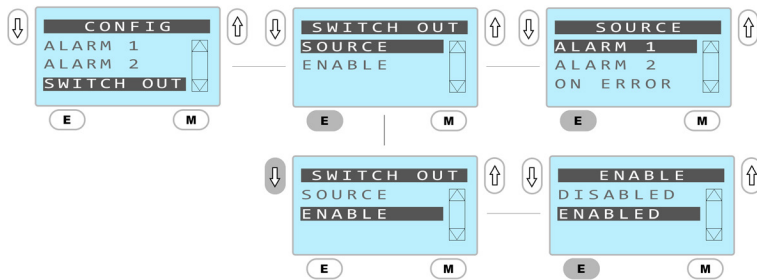
7.6 – Alarm Configuration

The L3 has two available alarm configurations. Each alarm may be set up as follows. Alarms 1 and 2 have identical configuration menus. When enabled, if the alarm is activated the backlight of the display will blink to notify the operator. The blinking feature can be disabled through the menu option. Also, alarm activation can be delayed until process pressure/level is above/below setpoint for set period of time. Alarm Flash and Alarm Delay options are available only on firmware revision L3H.01.06.0 and later.



7.7 – Switch Output Configuration

The L3 transmitter is equipped with a normally open 50mA fused contact which can be used to switch a small load or provide a digital output when one side is provided with DC voltage. The switch may be assigned to alarm 1, alarm 2, or may actuate when a warning or error message is displayed.



7.8 – Dampening

The analog output can be digitally dampened to decrease the magnitude of large process fluctuations with a high frequency. The dampening value should be raised when the output is showing high frequency high magnitude fluctuations. The dampening factor can be adjusted from 0-10.



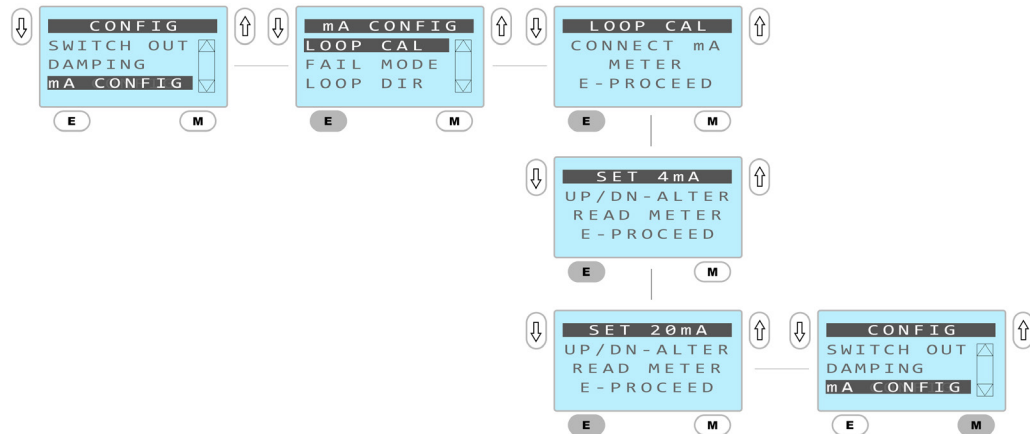
7.9 – mA Configuration

The mA configuration menu contains options to adjust the loop output to match the control system reading the signal, adjust the failure mode, and change the loop direction.

7.9.1 – mA Calibration

When a transmitter is added to a system for the first time a mA calibration should be performed to ensure the sensor's 4mA and 20mA points align with the control system in which it is installed. Because input cards are variable this will provide the best results and avoid programming an offset in the PLC.

The mA calibration requires the device to be installed in a control loop where the mA value may be read by observed by the operator and the display may also be accessed.



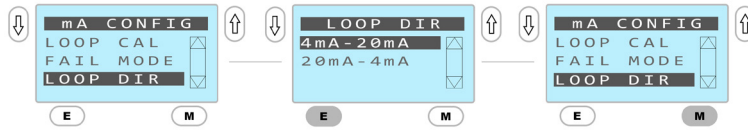
7.9.2 – Failure Mode Selection

The L3 may be set to fail low (3.8mA output) or fail high (20.2mA output) when a valid process variable cannot be output.



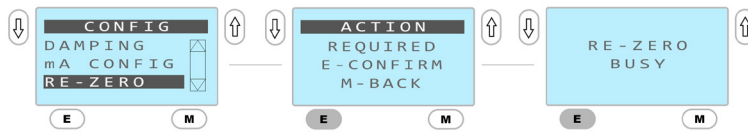
7.9.3 – Loop Direction

The loop direction may be reversed (20mA -4mA). This is accomplished as follows:



7.10 – Re-zero

The L3 transmitter is sensitive to both orientation and clamping forces during installation. It is important to re-zero the sensor after it has been installed. Additionally, if the diaphragm is dented or goes through a period of stress such as being steamed for the first time, it is important to zero the sensor.

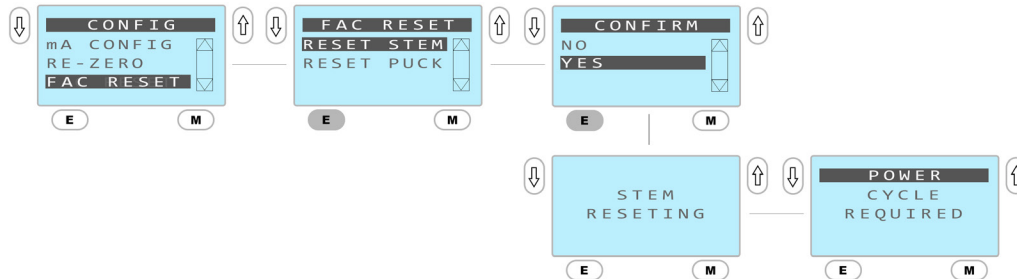


7.11 – Factory Reset

If at any time the owner decides to go back to factory default settings there is an option to return the sensor and transmitter to their defaults separately.

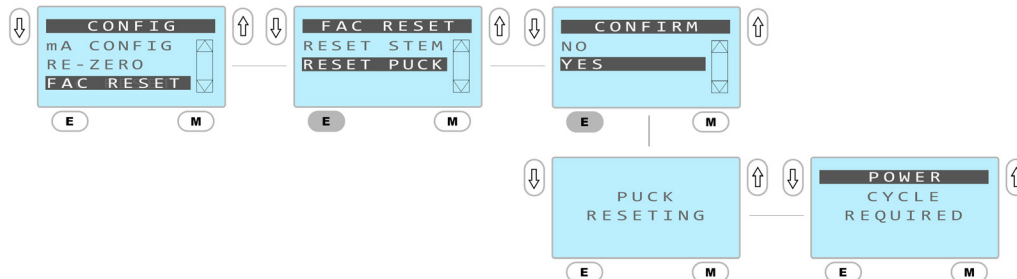
7.11.1 – Sensor Reset (Stem)

When the sensor is reset it restores all factory default calibration information including any user offsets



7.11.2 – Transmitter Reset (Puck)

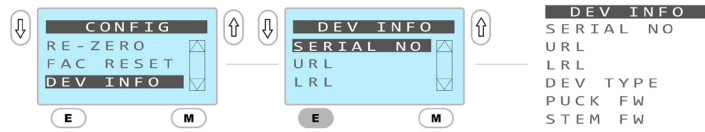
The transmitter may be restored to factory defaults as well. This will reset all ranges, alarms, tank, and product data.



7.12 – Device Information

Through the device information screen the owner may access the following information:

Serial number, upper range limit (URL), lower range limit (LRL), device type, puck firmware revision, and sensor firmware revision



Section 8 - HART Communicator Connection & DD (Device Descriptor) Menu Structure

L3 transmitters can be equipped with an optional HART output protocol and may be addressed via an external HART modem or alternatively via a portable HART communicator (HHT) compatible with HART 7.0.

8.1 Attaching HART Communicator

1. Power the L3 Transmitter. The signal loop must have at least 250ohms resistance for HHT function
2. Connect the HHT across the transmitter terminals or the resistor loop
3. Turn on the HHT, wait until communications are established and the Home Menu is displayed

8.2 HART DD Menu Structure

All L3 functions as well as standard HART setup detail may be addressed via the HART DD menu. See following Menu DD for specific required paths.

Home Screen	Level 2	Level 3	Level 4	Level 5
PV Loop Current				
PV Value				
LRV				
URV				
Sensor Type				
Device Setup	Config	Units	PV	psi
				bar
				inH2O
				mmH2O
				mmHg
				mBar
				kPa
				kg
				lb
				gal
			L	
			Vol%	
			Dimension	m
	in			
Density	lb/gal			
	kg/L			
	SG			

Home Screen	Level 2	Level 3	Level 4	Level 5	
Device Setup	Config	Range	Change Range	Change LRV and URV	
			One Touch Span	Yes/No	
		Tank Configuration	Select Tank Type	Vertical	
				Horizontal	
				Dish Bottom	
				Cone Bottom	
				Custom Tank	
			Vertical Horizontal Dish Bottom Cone Bottom	Dimension Units	
				Change Tank Dimensions (A, B, C, D, E, F, G, H)	
			Custom Tank	Tank Diagram	
		Product Configuration	Select Product	Water	
				Skim Milk	
				1% Milk	
				2% Milk	
				Whole Milk	
				Raw Milk	
				Cream	
				HFCS 42	
				HFCS 55	
				HFCS 60	
				Custom 1	
				Custom 2	
				Custom 3	
		Custom 4			
		Custom 5			
			Density Unit		
			Product Densities		
		Alarm 1 Alarm 2	Setup	Change Alarm Settings	
Setpoint					
Action					
Hysteresis					
Enable					
Status					
Switch Output	Source	Alarm 1			
		Alarm 2			
	State	On Error			
		Disabled			
	Enabled				
Damping	Change Value				
mA Configuration	Calibrate Loop	Adjust 4mA and 20mA Reference			
	Fail Mode	High (20.2 mA)			
		Low (3.8 mA)			
Loop Direction	4mA to 20mA				
	20mA to 4mA				
Re-Zero (Gauge)	Yes/No				
Re-Zero (Absolute)	Enter Atmospheric Pressure				

Home Screen	Level 2	Level 3	Level 4	Level 5			
Device Setup	Config	Device Information	Stem Serial Number				
			URL				
			LRL				
			Model				
			Puck Firmware				
			Stem Firmware				
	HART Setup	HART Configuration		Number of Response Preambles	Change Value		
				Loop Current Mode	Disabled Enabled		
				Polling Address	Change Value		
		HART Information			Model		
					Manufacturer		
					Device ID		
					Universal Revision		
					Descriptor		Change Value
					Message		Change Value
					Date		Change Value
					Tag		Change Value
					Long Tag		Change Value
		Final Assembly	Change Value				
		HART Output			Process Temperature		
					Pressure		
	Review	HART Review		Manufacturer			
				Universal Revision			
				Field Device Revision			
				Software Revision			
				Hardware Revision			
				Tag			
				Descriptor			
Message							
Configuration Change Counter							
Device Review				Units			
				LRV			
				URV			
				URL			
				LRL			
	Damping						
Puck Firmware Revision							
Sensor Type							
Sensor Serial Number							
Diagnostics	Error Information	Error(s)					
Maintenance Menu	Loop Test	4mA					
		20mA					
		Other					
		End					
	Error Information	Error(s)					
	Factory Reset			Stem Reset	Yes/No		
				Puck Reset	Yes/No		
Save as Factory Settings				Yes/No			

Section 9 - Maintenance/Diagnostics

Warning! Do not remove this sensor from the process while it is operating. Removal while the process is operating can contaminate the process and could cause human injury.

Warning: Before removing for service or calibration, ensure that residual product has been flushed from the line and that internal pressure has returned to atmospheric pressure.

Anderson electronic sensors require very little maintenance, if any. We suggest that the sensor be inspected at 6 month intervals to ensure that they are not being subjected to physically abuse, moisture entering the housing, and that the wiring is sound.

Caution: Do not open the sensor enclosure in wet or spray-down environments. Moisture ingress can cause premature electronics failure.

External cleaning instructions: The external surfaces of this sensor can be cleaned along with the equipment or piping system that it is installed on, using cleaning and disinfecting solutions designed for use on hygienic equipment.

The L3 is equipped with diagnostic routines that monitor the sensor's function. Should an error occur the diagnostic display will flash an error code and the output will go to the failure state specified by the user. Errors may be caused by a number of reasons ranging from failed electronic components to user configuration errors. The code appendix below indicates possible codes with actions that should be taken to correct the problem. Error codes may be cleared to facilitate subsequent menu changes, however the output will remain at the specified failure state until error is addressed and the unit repowered. Always record the error code before attempting to clear it.

The display code may be erased as follows:

- From home screen press down and hold for several seconds. Some error codes will not erase until problem is resolved – Sensor displays current process value.
- Power cycle by removing power for 10 seconds then reattach power.

Caution: Improper replacement of components during service can result in process leakage, reduced pressure rating, system cleanability issues, incorrect output signal, or error code(s).

Error Code	Category	Customer Action
e500	Stem Not Connected	Check stem ribbon cable connection to puck. Power cycle.
e501	Stem Data Corruption	Replace stem.
e502	Stem Data Corruption	Replace stem.
e503	Stem Data Corruption	Replace stem.
e701	Internal System Failure	Reset error and power cycle. If error persists, replace puck.
e300	Stem Data Corruption	Factory restore the stem. If error persists, replace stem.
e301	Stem Data Corruption	Factory restore the stem. If error persists, replace stem.
e600	Stem Data Corruption	Factory restore the stem. If error persists, replace stem.
w100	Warning: Incompatible Range	Reconfigure puck to range compatible with stem. Reset error.
w101	Warning: Stem Type Changed	Reconfigure puck to range compatible with stem. Reset error.
w102	Warning: PV Unit Changed	Reconfigure puck to required PV unit. Reset error.
OVER	Warning: Over Pressure	Check Process. Sensor exposed to pressure/level above URV.
UNDER	Warning: Under Pressure	Check Process. Sensor exposed to pressure/level below LRV.
Alarm1	Alarm 1 Active	Check process. Check Alarm 1 settings.
Alarm2	Alarm 2 Active	Check process. Check Alarm 2 settings.
AL_DIS	Alarm Disabled	Check Alarm 1 and Alarm 2 settings.

Feel free to contact Anderson Technical Services Department at 1-800-833-0081 for further assistance with troubleshooting.

Section 10 - Warranty and Return Statement

These products are sold by The Anderson Instrument Company (Anderson) under the warranties set forth in the following paragraphs. Such warranties are extended only with respect to a purchase of these products, as new merchandise, directly from Anderson or from an Anderson distributor, representative or reseller, and are extended only to the first buyer thereof who purchases them other than for the purpose of resale.

Warranty

These products are warranted to be free from functional defects in materials and workmanship at the time the products leave the Anderson factory and to conform at that time to the specifications set forth in the relevant Anderson instruction manual or manuals, sheet or sheets, for such products for a period of two years.

THERE ARE NO EXPRESSED OR IMPLIED WARRANTIES WHICH EXTEND BEYOND THE WARRANTIES HEREIN AND ABOVE SET FORTH. ANDERSON MAKES NO WARRANTY OF MERCHANTABILITY OR FITNESS FOR A PARTICULAR PURPOSE WITH RESPECT TO THE PRODUCTS.

Limitations

Anderson shall not be liable for any incidental damages, consequential damages, special damages, or any other damages, costs or expenses excepting only the cost or expense of repair or replacement as described above.

Products must be installed and maintained in accordance with Anderson instructions. Users are responsible for the suitability of the products to their application. There is no warranty against damage resulting from corrosion, misapplication, improper specifications or other operating condition beyond our control. Claims against carriers for damage in transit must be filed by the buyer.

This warranty is void if the purchaser uses non-factory approved replacement parts and supplies or if the purchaser attempts to repair the product themselves or through a third party without Anderson authorization.

Returns

Anderson's sole and exclusive obligation and buyer's sole and exclusive remedy under the above warranty is limited to repairing or replacing (at Anderson's option), free of charge, the products which are reported in writing to Anderson at its main office indicated below.

Anderson is to be advised of return requests during normal business hours and such returns are to include a statement of the observed deficiency. The buyer shall pre-pay shipping charges for products returned and Anderson or its representative shall pay for the return of the products to the buyer.

Approved returns should be sent to:

ANDERSON INSTRUMENT COMPANY INC.
ATT: REPAIR DEPARTMENT
156 AURIESVILLE ROAD
FULTONVILLE, NY 12072 USA



ANDERSON-NEGELE

ANDERSON INSTRUMENT CO., INC • 156 AURIESVILLE RD. • FULTONVILLE, NY 12072 • USA • 800-833-0081 • FAX 518-922-8997
ANDERSON INSTRUMENT CO. LP • 400 BRITANNIA RD. EAST, UNIT 1 • MISSISSAUGA, ONTARIO L4Z 1X9 • CANADA • 905-603-4358 • FAX 905-568-1652
NEGELE MESSTECHNIK GmbH (A Division of Anderson) • RAIFFEISENWEG 7 • D-87743 EGG A. D. GÜNZ • GERMANY • +49 (0) 8333/9204-0 • FAX +49 (0) 8333/9204-49

www.anderson-negele.com