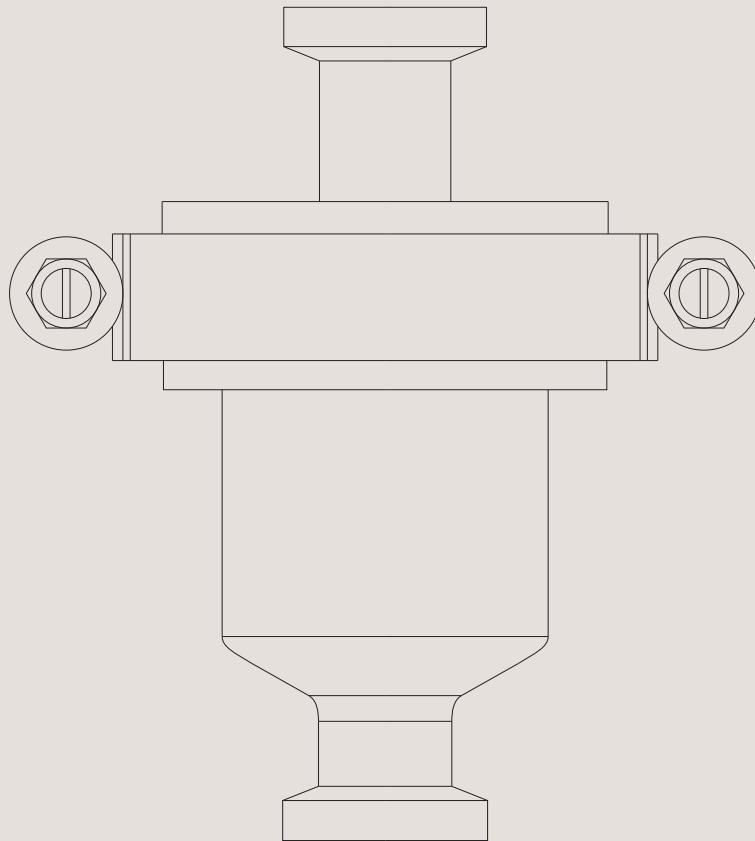




## Spare Parts

### C45 Check Valve



ESE03467-ENUS2 2016-12

Original manual

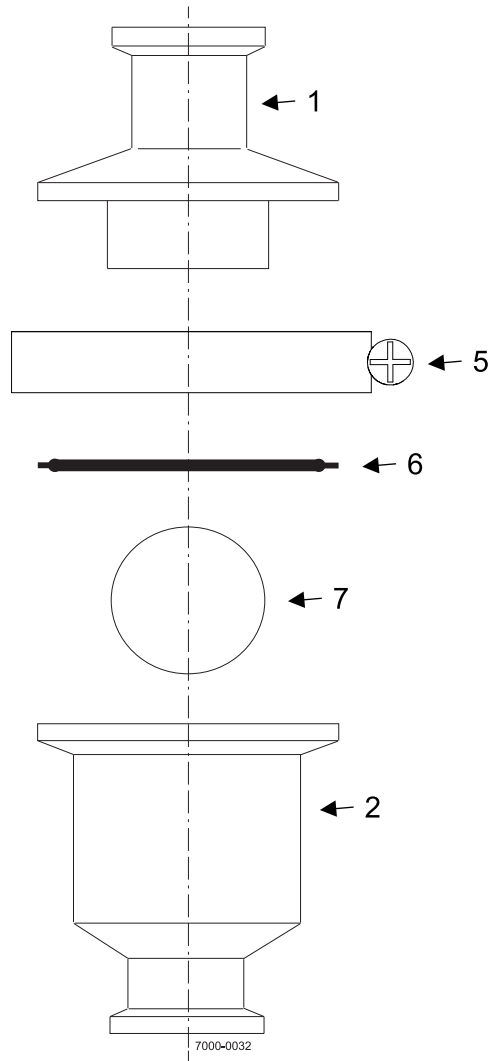


---

*The information herein is correct at the time of issue but may be subject to change without prior notice*

**1. C45MP Check Valves 1/2" and 3/4" ..... 4**

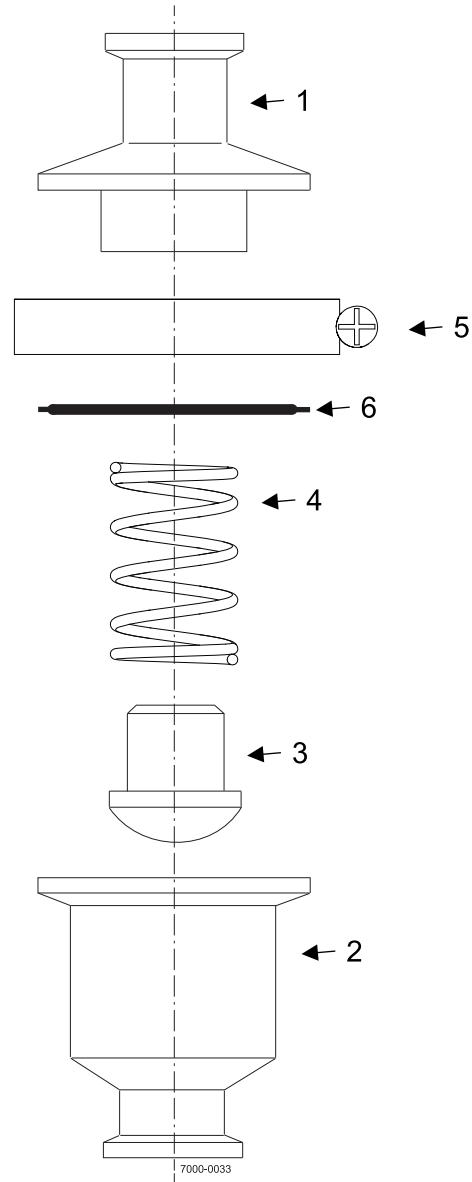
**2. C45MPS Check Valves 1/2" and 3/4" ..... 6**



## C45MP Check Valves 1/2" and 3/4"

---

Pos	Qty	Denomination	1/2'	3/4"
1	1	Upper Body .....	620052	620268
2	1	Lower Body .....	620222	620269
5	1	Clamp .....	755034	755034
6	1	Gasket , Buna .....	298452	298452
	1	Gasket, EPDM .....	290044	290044
	1	Gasket, SFY .....	290022	290022
7	1	Check Ball .....	620041	620041



**C45MPS Check Valves 1/2" and 3/4"**

---

Pos	Qty	Denomination	1/2"	3/4"
1	1	Upper Body .....	620052	620268
2	1	Lower Body .....	620222	620269
3	♦○	Plug .....	750263	750263
4	♦○	Spring .....	751030	751030
5	1	Clamp .....	755034	755034
6	1	Gasket, Buna .....	298452	298452
	♦	Gasket, EPDM .....	290044	290044
	○	Gasket, SFY .....	290022	290022

Parts marked with ♦○ are included in the service kits.

---

♦	<b>Service Kit - EPDM .....</b>	<b>9636000505</b>
○	<b>Service Kit - SFY .....</b>	<b>9636000506</b>

**How to contact Alfa Laval**

Contact details for all countries are continually updated on our website.

Please visit [www.alfalaval.com](http://www.alfalaval.com) to access the information directly.

© Alfa Laval Corporate AB

This document and its contents is owned by Alfa Laval Corporate AB and protected by laws governing intellectual property and thereto related rights. It is the responsibility of the user of this document to comply with all applicable intellectual property laws. Without limiting any rights related to this document, no part of this document may be copied, reproduced or transmitted in any form or by any means (electronic, mechanical, photocopying, recording, or otherwise), or for any purpose, without the expressed permission of Alfa Laval Corporate AB. Alfa Laval Corporate AB will enforce its rights related to this document to the fullest extent of the law, including the seeking of criminal prosecution.