



## Stacking Kit

**Size Range:** Any double combination of sizes 1/4" outside diameter through 3.5" outside diameter (Group 7 housing)

**Hardware:** 304 Stainless Steel, 316 Stainless Steel, or Electro-Zinc Plated Carbon Steel

**Plastic Inserts:** Polypropylene (blue)  
Santoprene (beige)  
Polysulfone (black)  
\*See page 85 for temperature ratings

**Thermal Expansion Guide:** (Optional) Provides for axial expansion of the tube or pipe due to thermal expansion. One set of two per clamp (See Fig. 207 in accessories).

**Thermal Expansion Guide Material:** Santoprene, 1/16" insert, Black for service identification

**NOTE:** This is sold as a modular component ONLY. Must order Fig. 200, 201 or 202 as a bottom assembly in addition to each stacking kit.

## 204 Stacking Kit - Part Number Configurator

### Part Number Example:

**SK SB Z 3 75 - PP**

**SK SB Z 3 75 - PP**

**Stacking Kit** ●

Stacking Kit Fig. 204 = SK

**Style** ●

Smooth Bore Block Style = SB

**Hardware Material** ●

304 Stainless Steel = T

316 Stainless Steel = X

Electro-Zinc Plated Carbon Steel = Z

**Hardware Group Size** ●

Group 3 Hardware Size Tube OD and Pipe sizes ranging from 0.25" to 1" = 3

Group 6 Hardware Size Tube OD and Pipe sizes ranging from 0.25" to 2" = 6

Group 7 Hardware Size Tube OD and Pipe sizes ranging from 2" to 3.50" = 7

Group 8 Hardware Size Tube OD and Pipe sizes ranging from 6" to 6.625" = 8

**Tube or Pipe Size** ●

"D" Dimension

For sizing refer to "D" column on dimensional chart.

Apply the number in column without the decimal.

Examples of column "D" translation:

1/4" Tube = 025

3/4" Pipe = 1050

1" Pipe = 1315

2" Pipe = 2375

**Plastic Insert Material** ●

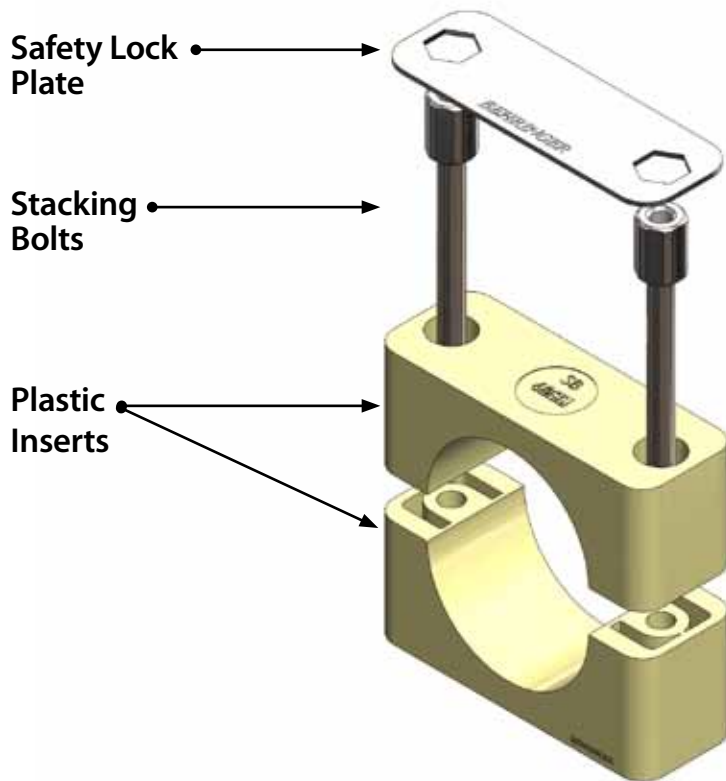
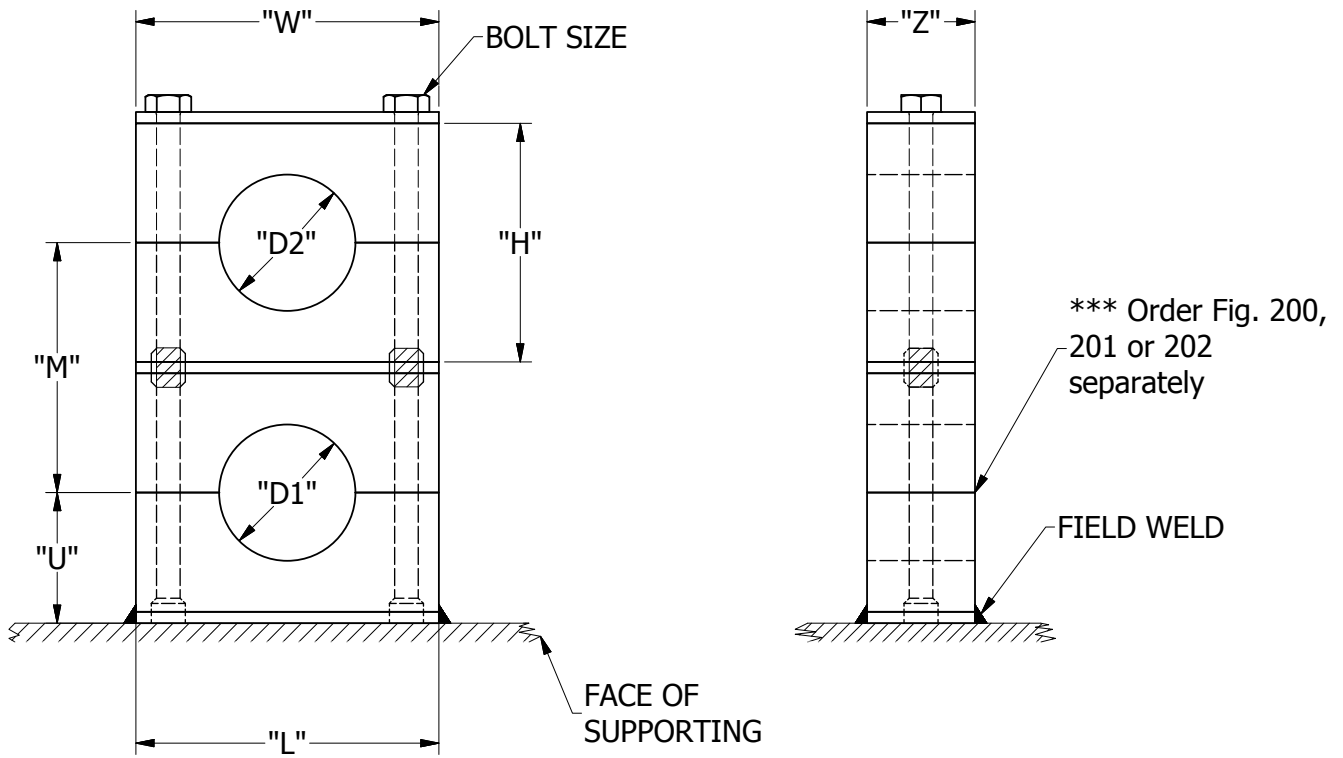
Polypropylene, Blue (available in Groups 3-7) = PP

Santoprene, Beige (available in Groups 3-8) = SP

Polysulfone, Black (available in Groups 3-8) = PS

# FIG. 204

## STACKING KIT



# FIG. 204

## STACKING KIT

GRP NO.	TUBE OR PIPE SIZE	"D" INCHES	W	H	Z	U	L	M	BOLT SIZE
3	1/4 T	0.250	1.88" (48 mm)	1.38" (35 mm)	1.22" (31 mm)	0.81" (20 mm)	2.02" (51 mm)	1.44" (37 mm)	1/4-20
	3/8 T	0.375							
	1/2 T	0.500							
	3/4 T	0.750							
	1/2 P	0.840							
	1 T	1.000							
6	1/4 T	0.250	3.34" (85 mm)	2.63" (67 mm)	1.22" (31 mm)	1.44" (37 mm)	3.46" (88 mm)	2.69" (68 mm)	1/4-20
	3/8 T	0.375							
	1/2 T	0.500							
	5/8 T	0.625							
	3/4 T	0.750							
	1/2 P	0.840							
	7/8 T	0.875							
	1 T	1.000							
	3/4 P	1.050							
	1-1/4 T	1.250							
	1 P	1.315							
	1-1/2 T	1.500							
	1-1/4 P	1.660							
	1-1/2 P	1.900							
7	2 T	2.000	5.02" (128 mm)	4.38" (111 mm)	1.22" (31 mm)	2.31" (59 mm)	5.02" (128 mm)	4.44" (113 mm)	1/4-20
	2 P	2.375							
	2-1/2 T	2.500							
	2-1/2 P	2.875							
	3 T	3.000							
	3-1/2 T -3 P	3.500							

# FIG. 204

## STACKING KIT



### Figure 204 Stacking Kit

