

PROCESS HEX HANGERS - PHH SERIES TUBE AND PIPE HANGERS

APPLICATIONS:

- Cleanrooms and mechanical areas; not limited to: biotech, pharmaceutical, food processing, beverage, dairy, cosmetic, chemical, water treatment, and semi-conductor industries.
- Low flow & low pressure systems with moderate vibration: WFI, SIP, CIP, process, utility & instrument lines, WFI, SIP, CIP, process, utilities & instrument lines

SIZES:

- Support Range: 1/4" - 6" Tube and 1/2" - 6" Pipe

FEATURES:

- ZERO PUDDLE Silicones inserts raised geometry facilitates drainage of liquids on vertical/riser lines creating maintenance uptime.

MATERIALS:

- 304 and 316 stainless steels
- ZERO PUDDLE inserts are FDA grade silicone rubber

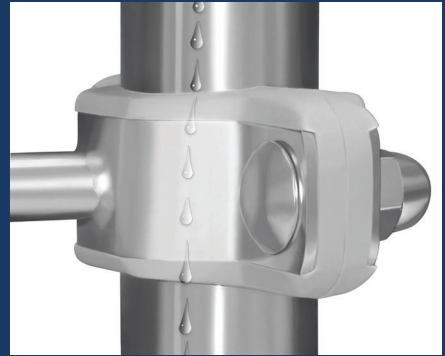
SPECIFICATIONS:

- Intermittent temperatures from -40F to 320F
- Continuous temperatures from -20F to 302F - Contact Syntiro with continuous application's environmental details

BENEFITS:

- Drainable and Cleanable
- There are no exposed threads or openings in hardware plates
- Carriage bolts lock into Hardware Frame;s square hole allowing installer to use a single wrench
- The antiquated Entrapping Hex Hanger requires two wrenches, increasing safety concerns and installation time
- Carriage bolts are reversible, so rounded drainable surface is always on the hangers topside
- Hanger threads match MSS 69 rod OD requirements
- Silicone inserts are resistant to high and low temperatures

ZERO PUDDLE INSERT

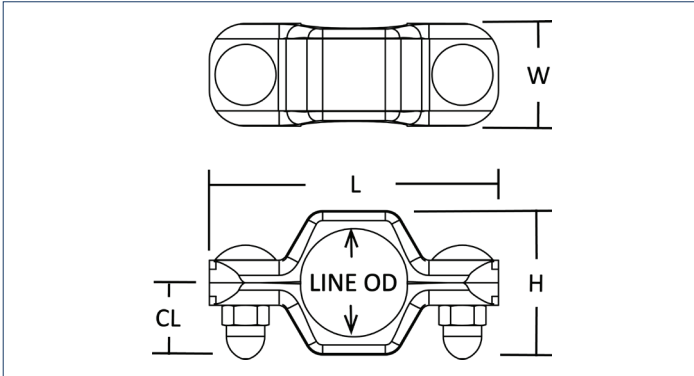


If you cannot see it, reach it, clean it, or sample it, this could be a concerning pathogen harbor point.

Refer to www.syntirocorp.com or call Syntiro for most up to date information

PROCESS HEX HANGER WELD MOUNT - PHHW

Mounting rod is welded to PHH's frame



for 316 hardware substitute 304 with 316

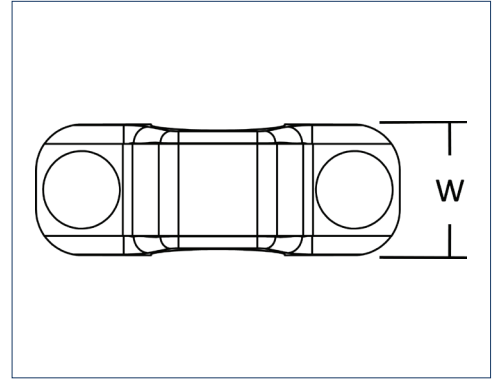
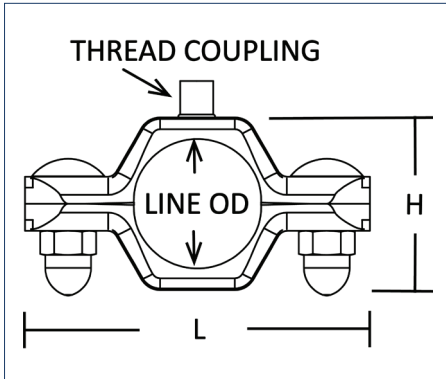
Tube Size	Line OD	H	L	W	CL	Part Number w/ Acorn Nut	Part Number w/ Lock Nut *
1/2"	0.50	1.15	2.80	1.10	0.58	PHHW0.50T304SAN	PHHW0.50T304SLN
3/4"	0.75	1.15	2.80	1.10	0.58	PHHW0.75T304SAN	PHHW0.75T304SLN
1"	1.00	1.45	3.00	1.10	0.73	PHHW1.0T304SAN	PHHW1.0T304SLN
1 1/2"	1.50	1.96	4.00	1.42	0.98	PHHW1.5T304SAN	PHHW1.5T304SLN
1 1/2"	1.50	2.16	4.00	1.42	1.08	PHHWH1.5T304SAN **	PHHWH1.5T304SLN **
2"	2.00	2.50	4.60	1.42	1.25	PHHW2.0T304SAN	PHHW2.0T304SLN
2"	2.00	2.70	4.60	1.42	1.35	PHHWH2.0T304SAN **	PHHWH2.0T304SLN **
2 1/2"	2.50	3.00	5.10	1.42	1.50	PHHW2.5T304SAN	PHHW2.5T304SLN
3"	3.00	3.50	5.60	1.42	1.75	PHHW3.0T304SAN	PHHW3.0T304SLN
4"	4.00	4.55	6.75	1.42	2.28	PHHW4.0T304SAN	PHHW4.0T304SLN
6"	6.00	6.29	9.25	1.42	3.15	PHHW6.0T304SAN	PHHW6.0T304SLN
Pipe Size	Line OD	H	L	W	CL	Part Number w/ Acorn Nut	Part Number w/ Lock Nut *
1/2"	0.840	1.45	3.00	1.10	0.73	PHHW0.50P304SAN	PHHW0.50P304SLN
3/4"	1.050	1.45	3.00	1.10	0.73	PHHW0.75P304SAN	PHHW0.75P304SLN
1"	1.315	1.96	4.00	1.42	0.98	PHHW1.0P304SAN	PHHW1.0P304SLN
1"	1.315	2.16	4.00	1.42	1.08	PHHWH1.0P304SAN **	PHHWH1.0P304SLN **
1 1/4"	1.660	2.50	4.60	1.42	1.25	PHHW1.25P304SAN	PHHW1.25P304SLN
1 1/4"	1.660	2.70	4.60	1.42	1.35	PHHWH1.25P304SAN **	PHHWH1.25P304SLN **
1 1/2"	1.900	2.50	4.60	1.42	1.25	PHHW1.5P304SAN	PHHW1.5P304SLN
1 1/2"	1.900	2.70	4.60	1.42	1.35	PHHWH1.5P304SAN **	PHHWH1.5P304SLN **
2"	2.375	3.00	5.10	1.42	1.50	PHHW2.0P304SAN	PHHW2.0P304SLN
2 1/2"	2.875	3.50	5.60	1.42	1.75	PHHW2.5P304SAN	PHHW2.5P304SLN
3"	3.500	4.13	6.33	1.42	2.06	PHHW3.0P304SAN	PHHW3.0P304SLN
4"	4.500	5.12	7.52	1.42	2.65	PHHW4.0P304SAN	PHHW4.0P304SLN
6"	6.625	7.20	9.25	1.74	3.31	PHHW6.0P304SAN	PHHW6.0P304SLN

** PHHWH's Hardware Frames are 7 Gauge 0.1874" - The increased thickness is preferred by some on site welders.

* Lock Nuts for lines with vibration

PROCESS HEX HANGER COUPLING - PHHC

FOR ATTACHMENT: Use Syntiro's Shielded Rod, solid rod with threaded end(s) or all thread rod



for 316 hardware substitute 304 with 316

Tube Size	Line OD	H	L	W	Round Coupling		Part Number w/ Acorn Nut	Part Number w/ Lock Nut *
					Height	Thread		
1/2"	0.50	1.15	2.80	1.10	0.47	3/8"-16	PHHC0.50T304SAN	PHHC0.50T304SLN
3/4"	0.75	1.15	2.80	1.10	0.47	3/8"-16	PHHC0.75T304SAN	PHHC0.75T304SLN
1"	1.00	1.45	3.00	1.10	0.47	3/8"-16	PHHC1.0T304SAN	PHHC1.0T304SLN
1 1/2"	1.50	1.96	4.00	1.42	0.47	3/8"-16	PHHC1.5T304SAN	PHHC1.5T304SLN
2"	2.00	2.50	4.60	1.42	0.47	3/8"-16	PHHC2.0T304SAN	PHHC2.0T304SLN
2 1/2"	2.50	3.00	5.10	1.42	0.59	1/2"-13	PHHC2.5T304SAN	PHHC2.5T304SLN
3"	3.00	3.50	5.60	1.42	0.59	1/2"-13	PHHC3.0T304SAN	PHHC3.0T304SLN
4"	4.00	4.55	6.75	1.42	0.59	1/2"-13	PHHC4.0T304SAN	PHHC4.0T304SLN
6"	6.00	6.29	9.25	1.42	0.88	3/4"-10	PHHC6.0T304SAN	PHHC6.0T304SLN
Pipe Size	Line OD	H	L	W	Round Coupling		Part Number w/ Acorn Nut	Part Number w/ Lock Nut *
					Height	Thread		
1/2"	0.840	1.45	3.00	1.10	0.47	3/8"-16	PHHC0.50P304SAN	PHHC0.50P304SLN
3/4"	1.050	1.45	3.00	1.10	0.47	3/8"-16	PHHC0.75P304SAN	PHHC0.75P304SLN
1"	1.315	1.96	4.00	1.42	0.47	3/8"-16	PHHC1.0P304SAN	PHHC1.0P304SLN
1 1/4"	1.660	2.50	4.60	1.42	0.47	3/8"-16	PHHC1.25P304SAN	PHHC1.25P304SLN
1 1/2"	1.900	2.50	4.60	1.42	0.47	3/8"-16	PHHC1.5P304SAN	PHHC1.5P304SLN
2"	2.375	3.00	5.10	1.42	0.59	1/2"-13	PHHC2.0P304SAN	PHHC2.0P304SLN
2 1/2"	2.875	3.50	5.60	1.42	0.59	1/2"-13	PHHC2.5P304SAN	PHHC2.5P304SLN
3"	3.500	4.13	6.33	1.42	0.59	1/2"-13	PHHC3.0P304SAN	PHHC3.0P304SLN
4"	4.500	5.12	7.52	1.42	0.59	1/2"-13	PHHC4.0P304SAN	PHHC4.0P304SLN
6"	6.625	7.20	9.25	1.74	0.88	3/4"-10	PHHC6.0P304SAN	PHHC6.0P304SLN

* Lock Nuts for lines with vibration