

# PROCESS HEX HANGERS - PHH SERIES TUBE AND PIPE HANGERS

## APPLICATIONS:

- Cleanrooms and mechanical areas; not limited to: biotech, pharmaceutical, food processing, beverage, dairy, cosmetic, chemical, water treatment, and semiconductor industries.
- Low flow & low pressure systems with moderate vibration: WFI, SIP, CIP, process, utility & instrument lines, WFI, SIP, CIP, process, utilities & instrument lines

## SIZES:

- Support Range: 1/4" - 6" Tube and 1/2" - 6" Pipe

## FEATURES:

- ZERO PUDDLE Silicones inserts raised geometry facilitates drainage of liquids on vertical/riser lines creating maintenance uptime.

## MATERIALS:

- 304 and 316 stainless steels
- ZERO PUDDLE inserts are FDA grade silicone rubber

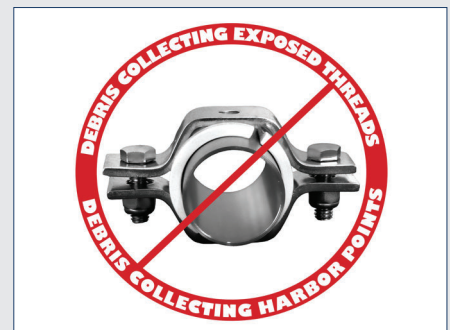
## SPECIFICATIONS:

- Intermittent temperatures from -40F to 320F
- Continuous temperatures from -20F to 302F - Contact Syntiro with continuous application's environmental details

## BENEFITS:

- Drainable and Cleanable
- There are no exposed threads or openings in hardware plates
- Carriage bolts lock into Hardware Frame; square hole allowing installer to use a single wrench
- The antiquated Entrapping Hex Hanger requires two wrenches, increasing safety concerns and installation time
- Carriage bolts are reversible, so rounded drainable surface is always on the hangers topside
- Hanger threads match MSS 69 rod OD requirements
- Silicone inserts are resistant to high and low temperatures

## ZERO PUDDLE INSERT

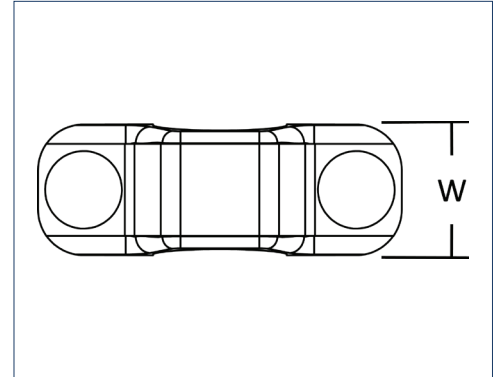
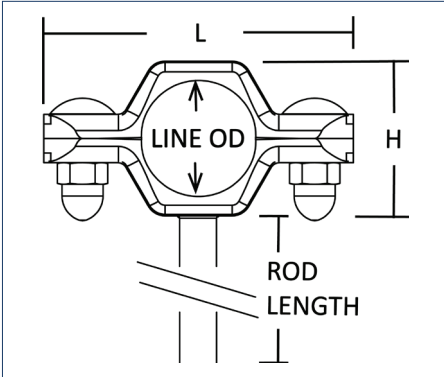


If you cannot see it, reach it, clean it, or sample it, this could be a concerning pathogen harbor point.

Refer to [www.syntirocorp.com](http://www.syntirocorp.com) or call Syntiro for most up to date information

# PROCESS HEX HANGER ROD MOUNT - PHHR

Hanger's rod is welded to mounting plate or structure  
(rod lengths also supplied per specification)



for 316 hardware substitute 304 with 316

Tube Size	Line OD	H	L	W	Rod (stock length)		Part Number w/ Acorn Nut	Part Number w/ Lock Nut *
					Length	OD		
1/2"	0.50	1.15	2.80	1.10	6	0.38	PHH6R0.50T304SAN	PHH6R0.50T304SLN
3/4"	0.75	1.15	2.80	1.10	6	0.38	PHH6R0.75T304SAN	PHH6R0.75T304SLN
1"	1.00	1.45	3.00	1.10	6	0.38	PHH6R1.0T304SAN	PHH6R1.0T304SLN
1 1/2"	1.50	1.96	4.00	1.42	6	0.38	PHH6R1.5T304SAN	PHH6R1.5T304SLN
2"	2.00	2.50	4.60	1.42	6	0.38	PHH6R2.0T304SAN	PHH6R2.0T304SLN
2 1/2"	2.50	3.00	5.10	1.42	6	0.50	PHH6R2.5T304SAN	PHH6R2.5T304SLN
3"	3.00	3.50	5.60	1.42	6	0.50	PHH6R3.0T304SAN	PHH6R3.0T304SLN
4"	4.00	4.55	6.75	1.42	6	0.50	PHH6R4.0T304SAN	PHH6R4.0T304SLN
6"	6.00	6.29	9.25	1.42	6	0.75	PHH6R6.0T304SAN	PHH6R6.0T304SLN
Pipe Size	Line OD	H	L	W	Rod (stock length)		Part Number w/ Acorn Nut	Part Number w/ Lock Nut *
					Length	OD		
1/2"	0.840	1.45	3.00	1.10	6	0.38	PHH6R0.50P304SAN	PHH6R0.50P304SLN
3/4"	1.050	1.45	3.00	1.10	6	0.38	PHH6R0.75P304SAN	PHH6R0.75P304SLN
1"	1.315	1.96	4.00	1.42	6	0.38	PHH6R1.0P304SAN	PHH6R1.0P304SLN
1 1/4"	1.660	2.50	4.60	1.42	6	0.38	PHH6R1.25P304SAN	PHH6R1.25P304SLN
1 1/2"	1.900	2.50	4.60	1.42	6	0.38	PHH6R1.5P304SAN	PHH6R1.5P304SLN
2"	2.375	3.00	5.10	1.42	6	0.50	PHH6R2.0P304SAN	PHH6R2.0P304SLN
2 1/2"	2.875	3.50	5.60	1.42	6	0.50	PHH6R2.5P304SAN	PHH6R2.5P304SLN
3"	3.500	4.13	6.33	1.42	6	0.50	PHH6R3.0P304SAN	PHH6R3.0P304SLN
4"	4.500	5.12	7.52	1.42	6	0.63	PHH6R4.0P304SAN	PHH6R4.0P304SLN
6"	6.625	7.20	9.25	1.74	6	0.75	PHH6R6.0P304SAN	PHH6R6.0P304SLN

\* Lock Nuts for lines with vibration