

VENT CHECK

Vents air
in and out.
Keeps fluid in.



OVERVIEW

The TrueClean® Vent Check is designed to quickly and easily vent air from any process system. It allows air to flow freely in and out of a system, while creating a tight seal when product is encountered. The Vent Check is designed for superior air flow, performance, and cleanability.

FEATURES

- 316L stainless steel body
- Compact and easy to install
- Tri-Clamp® connection to process line
- Bi-directional air relief
- Sloped internal surfaces to ensure draining and promote cleanability
- O-ring seal to prevent product leakage
- FDA-approved EPDM and Viton seal materials available
- Conforms to 3-A Sanitary Standard 58-02

APPLICATIONS

- Food, dairy, and beverage industries
- High point vent
- Vacuum breaker
- Air lock eliminator
- Check valve
- Low CFM breather

MADE IN THE USA

 TrueClean®

VENT CHECK



MATERIALS

- Body: 316L Stainless Steel
- Ball: Polypropylene
- Elastomers: Viton or EPDM

SPECIFICATIONS

- Max pressure: 145 psi
- Max temp: 194°F
- Ball density: 0.033 lbs/in³

ITEM NUMBER CONFIGURATION

TVC-15M-SFY-316L

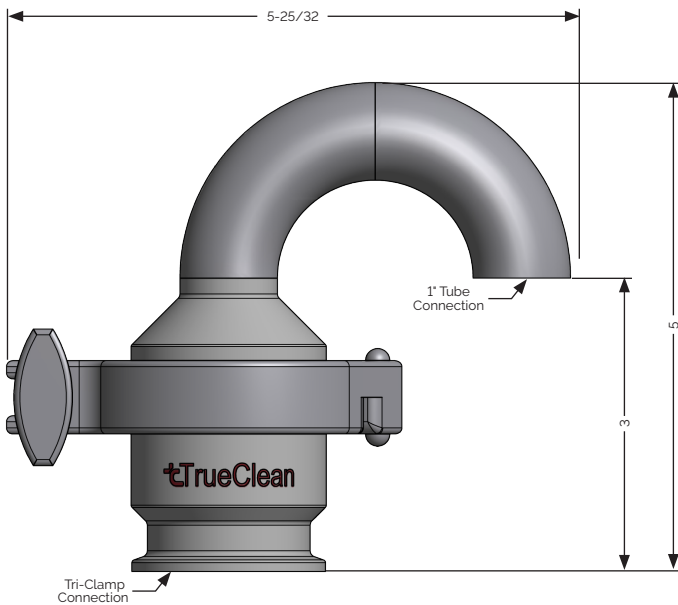
CONNECTION SIZE: 15-1'-1.5"

ELASTOMERS: SFY=VITON / E-EPDM

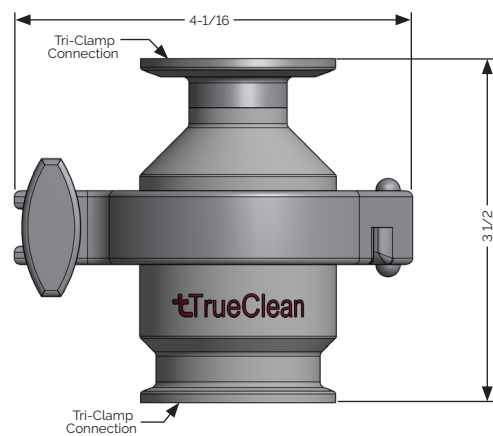
CONNECTION TYPE: M=TRI-CLAMP®, G=GOOSENECK

MATERIAL: 316L STAINLESS STEEL

GOOSENECK CONNECTION



TRI-CLAMP® CONNECTION

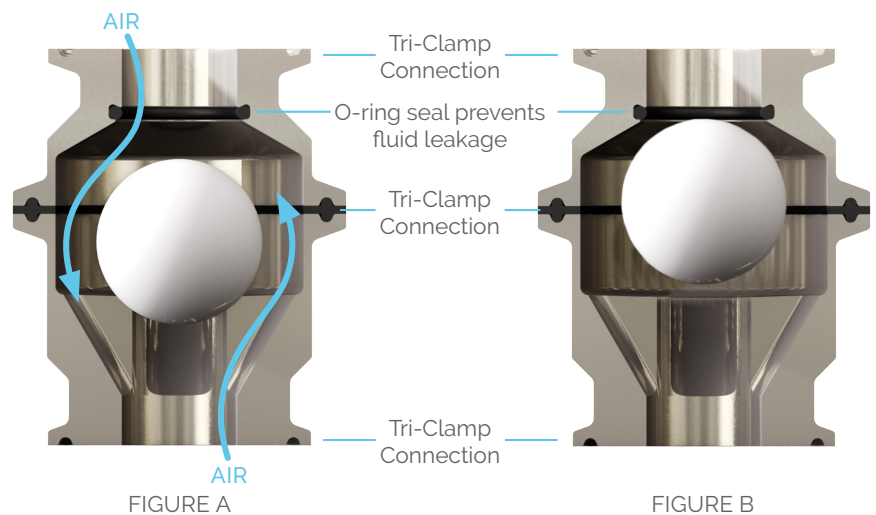


WORKING PRINCIPLE

The Vent Check is composed of a vent top clamped to a vent bottom with a freely moving polypropylene ball. The ball seals or opens the Vent Check depending on process conditions.

In Figure A, the ball rests against the lower seat, air can flow in and out of the valve due to the specially designed vent bottom.

In Figure B, the ball, which is lighter than water, closes against the upper seat when encountering product. This seals air from entering and product from escaping the vent.



CSIDESIGNS.COM | +1.417.831.1411 | SALES@CSIDESIGNS.COM
 SPRINGFIELD, MO | GRAND PRAIRIE, TX | DURHAM, NC | MODESTO, CA

FOLLOW US