



No more  
compromises

# Introducing the best-in-class Alfa Laval DuraCirc<sup>®</sup> pump

In hygienic applications, use of circumferential piston pumps (CPPs) has always meant settling for compromises. But Alfa Laval DuraCirc is something different. It's the market's first CPP that delivers the perfect balance of durable reliability, high efficiency and superior hygienic performance that's easy to service.

In addition to a class-leading range of performance, flow and pressure capabilities, DuraCirc comes standard with globally recognized hygienic certification. The innovative design also includes features that make cleaning and maintenance faster, easier and more dependable.

The future of pumping is on the move. Join us – and stop settling for compromises.



## Supreme Performance

Engineered for durability, reliability and efficiency to extend the boundaries of your performance



## Superior Hygiene

Safely meets industry hygienic demands, assuring the integrity of your processes and the quality of your products



## Simpler Service

Innovative design features make maintenance faster and easier, increasing uptime in your operations



**CSI**

CONTACT CSI FOR MORE INFORMATION | [CSIDESIGNS.COM](http://CSIDESIGNS.COM) | [SALES@CSIDESIGNS.COM](mailto:SALES@CSIDESIGNS.COM) | 417.831.1411



- Optimized for high volumetric efficiency
- Wide performance envelope for flow and pressure
- Robust durable design
- DuraCirc Uni-Fit ports

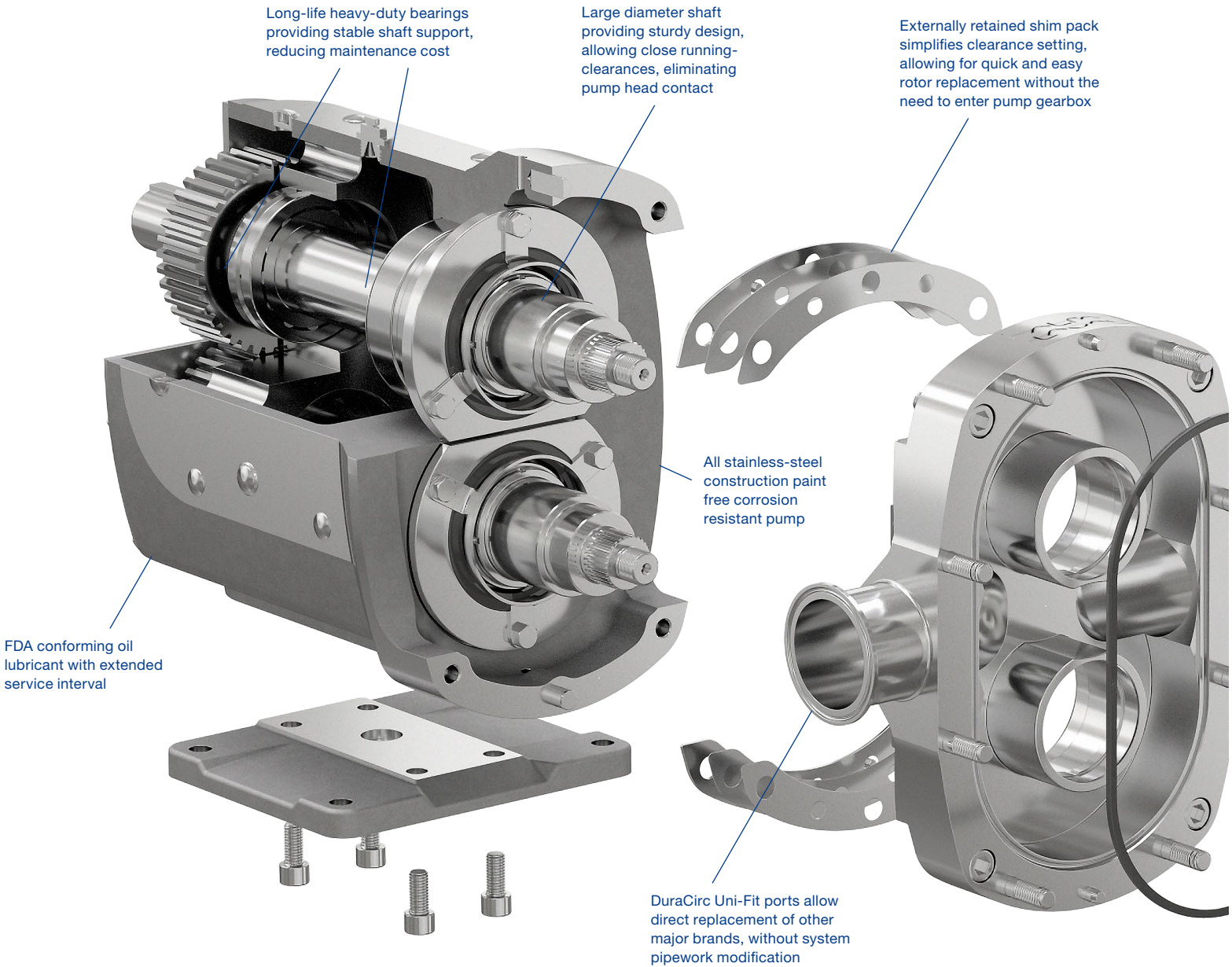
- Fully CIPable design as standard without modification
- EHEDG and 3A certified
- Profiled product wetted elastomers
- All stainless steel construction

- DuraCirc Hi-Life rotors eliminate pump head contact
- Truly front loading self-setting single seal
- Extended life FDA oil lubricated
- Heavy duty long life bearings



CSI

CONTACT CSI FOR MORE INFORMATION | [CSIDESIGNS.COM](http://CSIDESIGNS.COM) | [SALES@CSIDESIGNS.COM](mailto:SALES@CSIDESIGNS.COM) | 417.831.1411



Certified to all major  
hygienic standards



Long life oil lubricated

DuraCirc



3000 hours

Typical competitor



750 hours



CSI

CONTACT CSI FOR MORE INFORMATION | CSIDESIGNS.COM | SALES@CSIDESIGNS.COM | 417.831.1411

# Tired of settling for compromises?

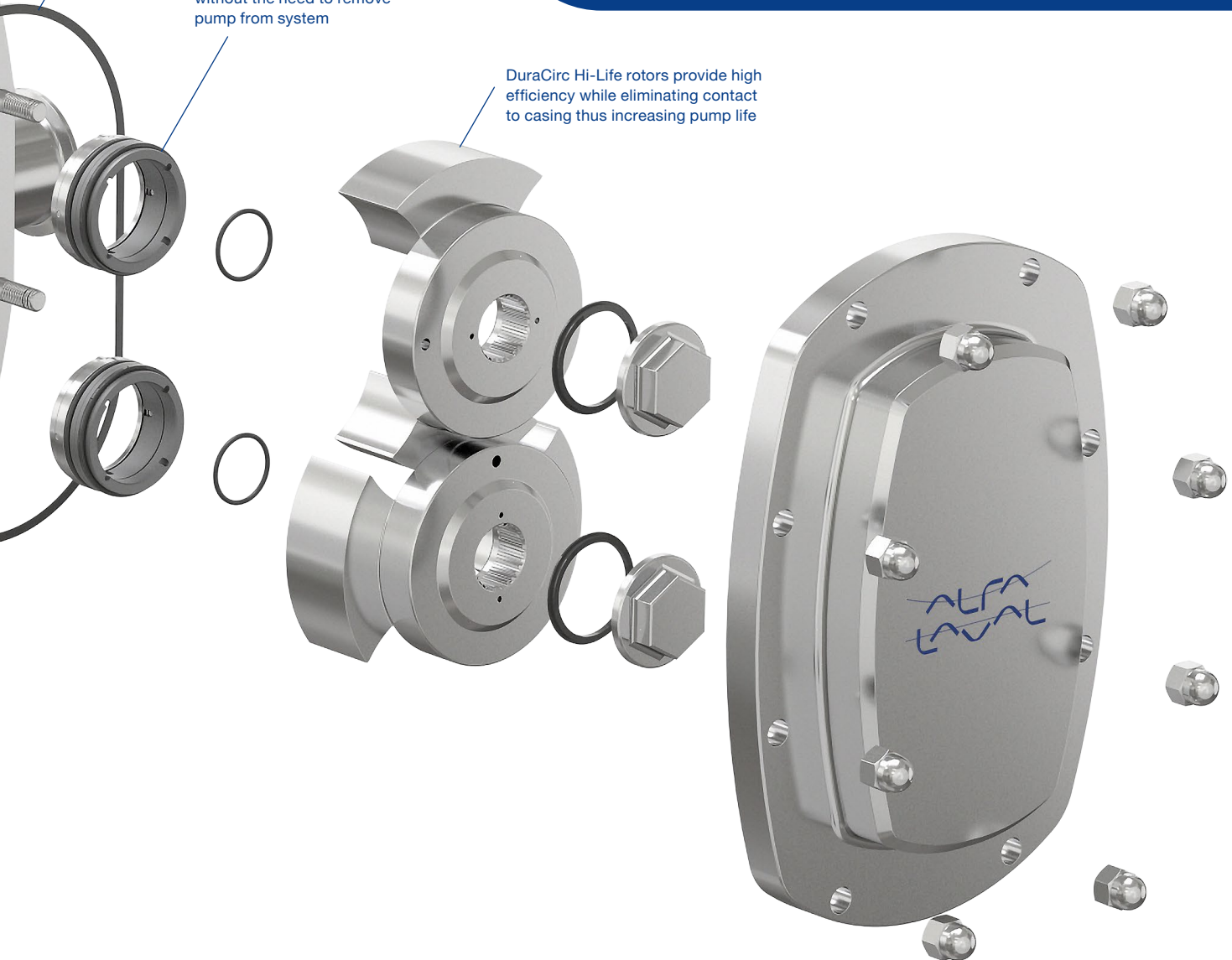
Get ready to discover supreme pumping performance, superior hygienic confidence and simpler service needs for your process. Contact us today to learn more about the difference that DuraCirc can make in your operation.

Learn more at [www.alfalaval.us/DuraCirc](http://www.alfalaval.us/DuraCirc)

FDA conforming profiled product wetted elastomers throughout, ensuring crevice free design

Truly front-loading self-setting mechanical seal allowing quick and easy change without the need to remove pump from system

DuraCirc Hi-Life rotors provide high efficiency while eliminating contact to casing thus increasing pump life



Long life bearing operation

20000+ hours



CSI

CONTACT CSI FOR MORE INFORMATION | [CSIDESIGNS.COM](http://CSIDESIGNS.COM) | [SALES@CSIDESIGNS.COM](mailto:SALES@CSIDESIGNS.COM) | 417.831.1411



The future  
of pumping is  
on the move

#### Alfa Laval positive displacement pumps

Alfa Laval provides a complete range of hygienic pump technologies and specifications to meet customers' high demands for preserving product quality, process efficiency, and easy maintenance and service. The range is the market's widest offering of positive displacement pumps for the food, dairy, beverage, biotech and pharmaceutical industries, as well as the home & personal care industry. Every Alfa Laval pump comes with the confidence of our leading expertise and long-term commitment to fluid handling. They are also backed by a worldwide network of highly trained channel partners to ensure a superior customer experience.

#### This is Alfa Laval

Alfa Laval is active in the areas of Energy, Marine, and Food & Water, offering its expertise, products, and service to a wide range of industries in some 100 countries. The company is committed to optimizing processes, creating responsible growth, and driving progress – always going the extra mile to support customers in achieving their business goals and sustainability targets.

Alfa Laval's innovative technologies are dedicated to purifying, refining, and reusing materials, promoting more responsible use of natural resources. They contribute to improved energy efficiency and heat recovery, better water treatment, and reduced emissions. Thereby, Alfa Laval is not only accelerating success for its customers, but also for people and the planet. Making the world better, every day. It's all about *Advancing better™*.

#### How to contact Alfa Laval

Contact details for all countries are continually updated on our web site. Please visit [www.alfalaval.com](http://www.alfalaval.com) to access the information.

100003211-1-EN-US 2105



CSI

CONTACT CSI FOR MORE INFORMATION | [CSIDESIGNS.COM](http://CSIDESIGNS.COM) | [SALES@CSIDESIGNS.COM](mailto:SALES@CSIDESIGNS.COM) | 417.831.1411