



## Spare Parts

**BasicTop**

**Not manufactured anymore**

ESE01787-EN2 2011-02

Original manual

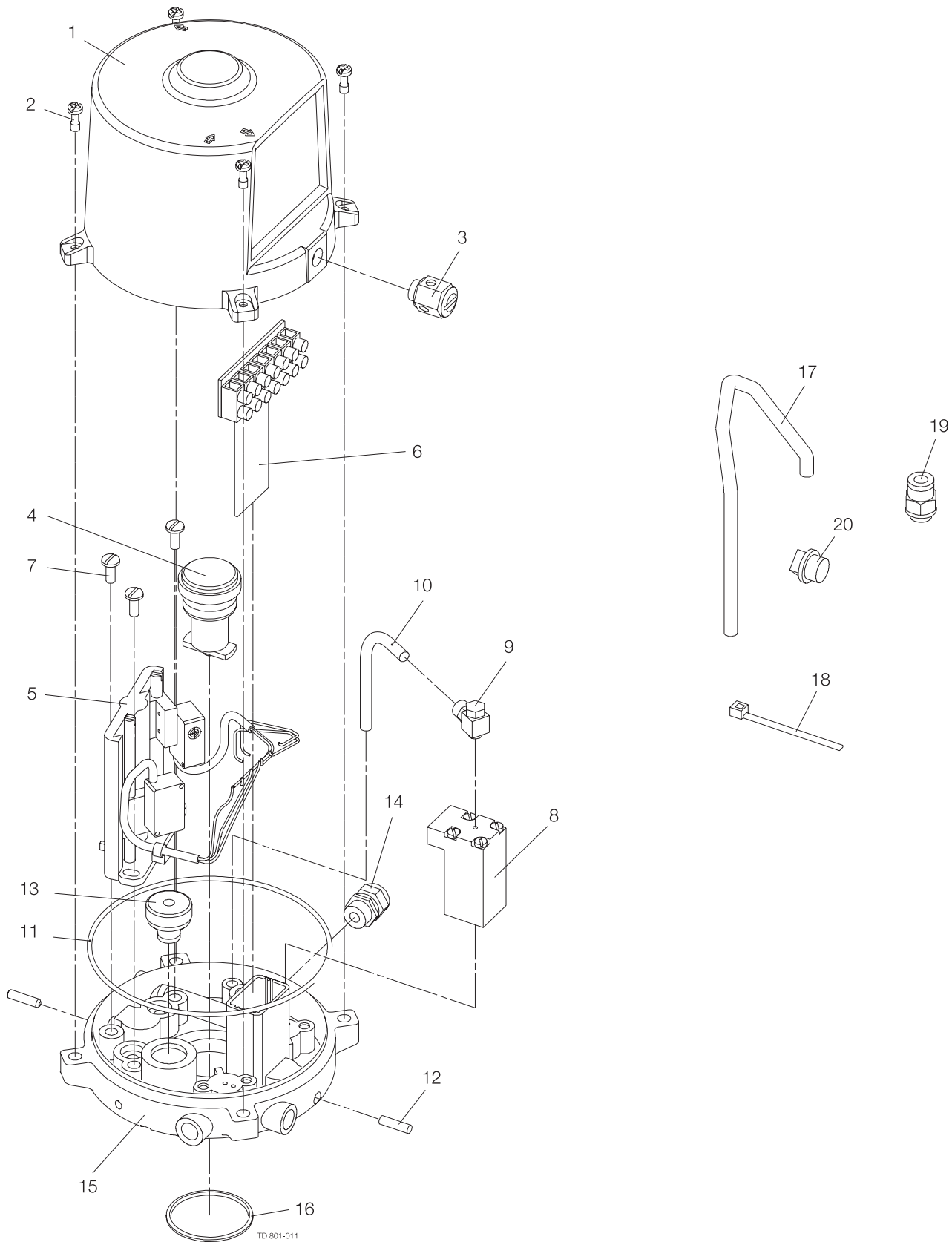


---

*The information herein is correct at the time of issue but may be subject to change without prior notice*

**1. BasicTop ..... 4**

*Not manufactured anymore*



SRC, ARC,  
LKB (LKLA-T),  
SRC-LS (only  
38/51 mm/DN  
40/50)

Pos	Qty	Denomination	
1	1	House Pos. no. 2 and 3 are included	
2	4	Screw	
3	1	Safety valve	9611-99-2928
4	1	Indicator pin	9612-4117-01
5	1	Frame cpl. with PNP sensor	
	1	Frame cpl. with NPN sensor	
6	1	PC board with screw terminals	
7	3	Screw	9611-99-0337
8	1	Solenoid valve	9611-99-2809
9	1	Banjo connection	9611-99-3833
10	1	Air hose	9611-99-1409
11	1	O-ring	9611-99-2704
12	2	Pointed screw	9611-99-1756
13	1	Lead in bush	9611-99-2121
14	1	Cable gland	
15	1	Cast base prepared for none solenoid valve (Pos. no 14 is included)	
	1	Cast base prepared for 1 solenoid valve (Pos. no 14 is included)	
	1	Cast base prepared for 2 solenoid valves (Pos. no 14 is included)	
16	1	Quadring	9612-5696-01
17	1	Air hose	9611-99-2133
18	1	Cable bearer	9611-99-2134
19	1	Air fitting	9611-99-2323
20	1	Thread plug	9611-99-1221

**How to contact Alfa Laval**

Contact details for all countries are continually updated on our website.

Please visit [www.alfalaval.com](http://www.alfalaval.com) to access the information directly.

© Alfa Laval Corporate AB

This document and its contents is owned by Alfa Laval Corporate AB and protected by laws governing intellectual property and thereto related rights. It is the responsibility of the user of this document to comply with all applicable intellectual property laws. Without limiting any rights related to this document, no part of this document may be copied, reproduced or transmitted in any form or by any means (electronic, mechanical, photocopying, recording, or otherwise), or for any purpose, without the expressed permission of Alfa Laval Corporate AB. Alfa Laval Corporate AB will enforce its rights related to this document to the fullest extent of the law, including the seeking of criminal prosecution.