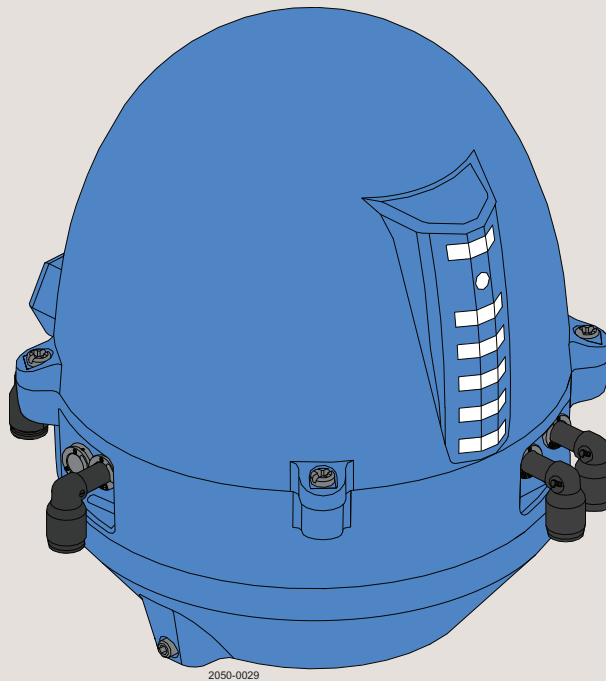




Spare Parts

For the complete ThinkTop® product family



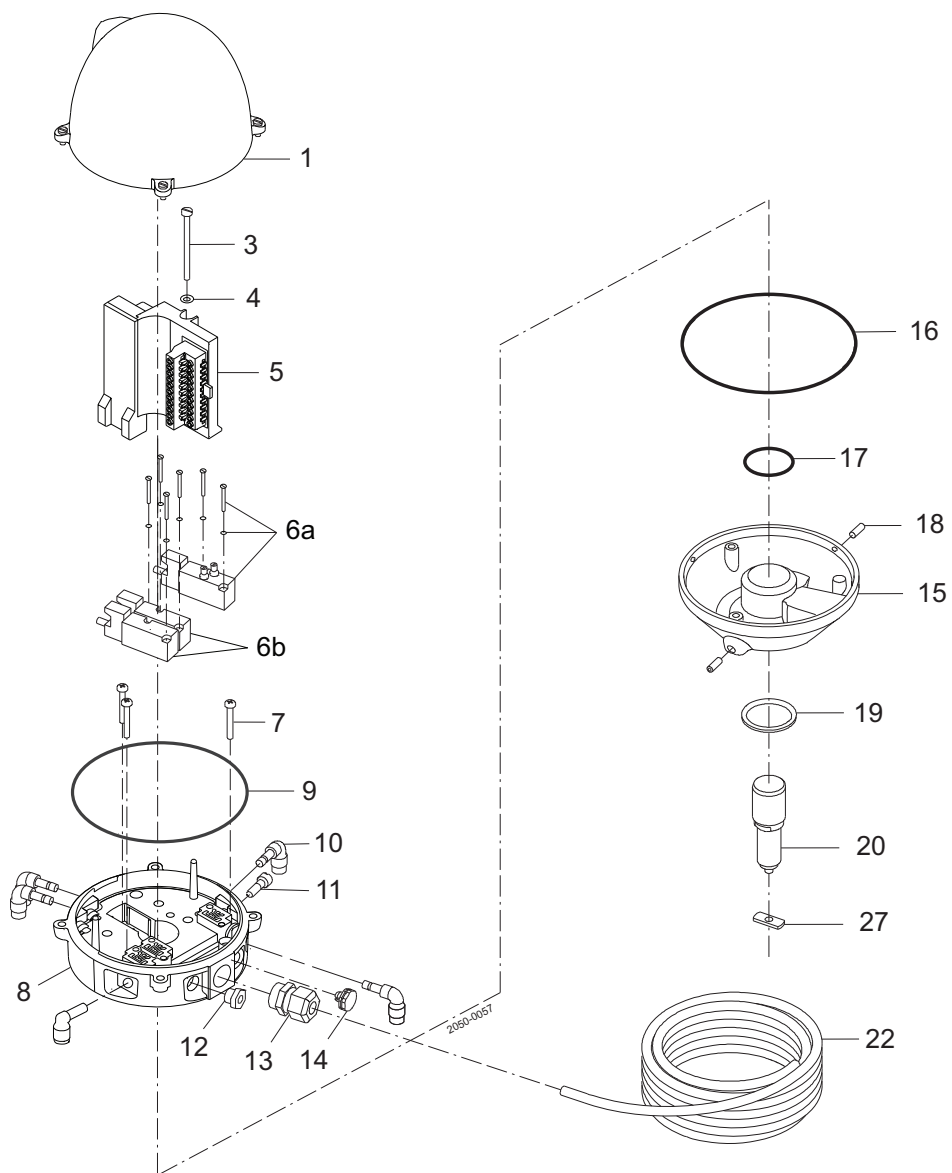
This sparepart covers the instruction manuals ESE02952 and the installation instructions ESE02967, ESE02968, ESE02969, ESE02970, ESE02974 and ESE02975.

ESE00889-EN18 2021-11

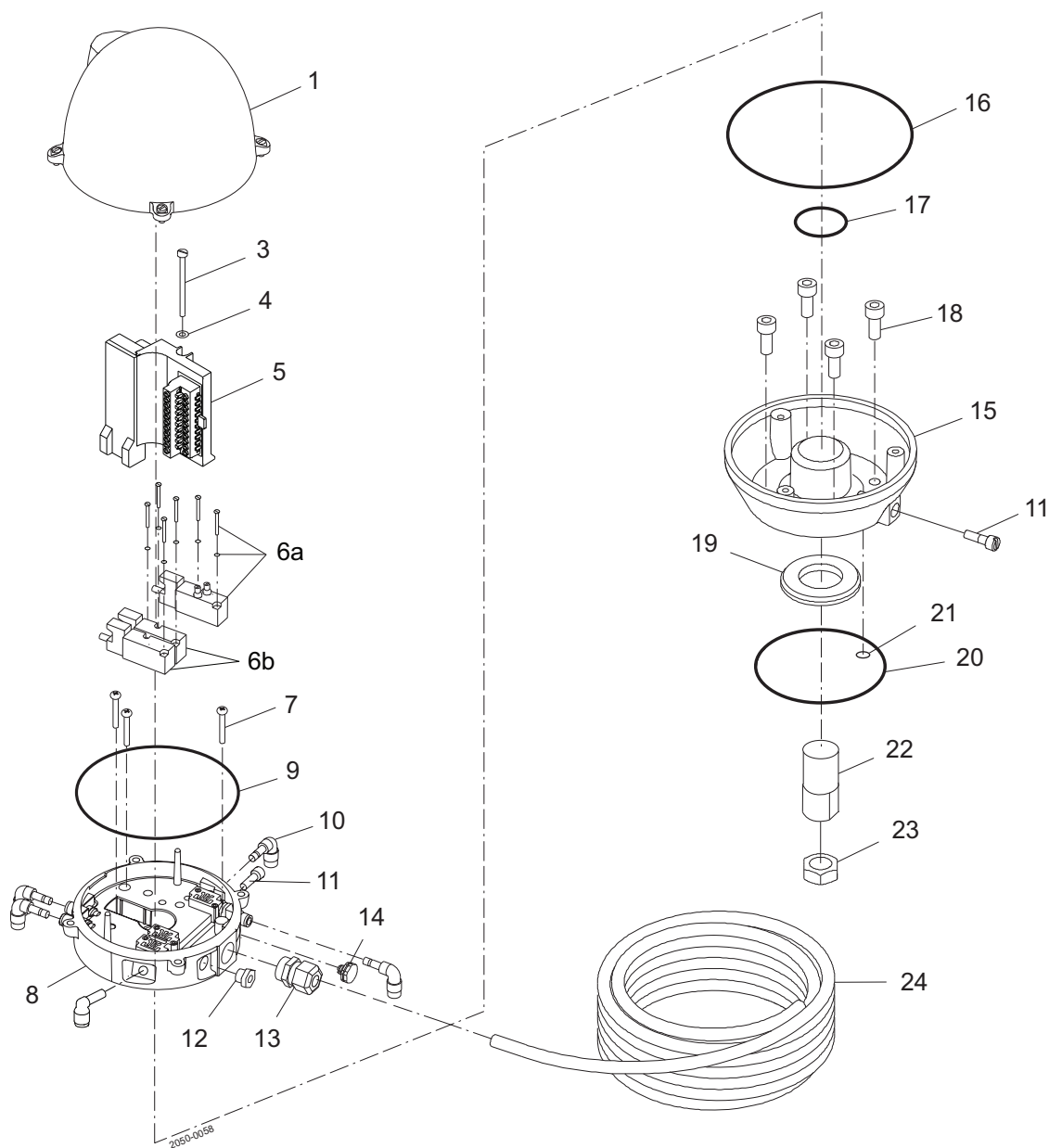
Original manual

The information herein is correct at the time of issue but may be subject to change without prior notice

1. Digital 8-30 VDC PNP/NPN	4
2. Digital 8-30 VDC for Series 700	6
3. Digital 8-30 VDC for Unique PMO Mixproof valves	8
4. Digital 8-30 VAC NO/NC	10
5. Digital 8-30 VAC for Series 700	12
6. Digital 8-30 VAC for Unique PMO Mixproof valves	14
7. Digital 110 VAC NO/NC	16
8. Digital 110 VAC for Series 700	18
9. Digital 110 VAC for Unique PMO Mixproof valves	20
10. DeviceNet 11-25 VDC	22
11. DeviceNet 11-25 VDC for Series 700	24
12. DeviceNet 11-25 VDC for Unique PMO Mixproof valves	26
13. AS-Interface 29.5-31.6 VDC	28
14. AS-Interface 29.5-31.6 VDC for Series 700	30
15. AS-Interface 29.5-31.6 VDC for Unique PMO Mixproof valves	32



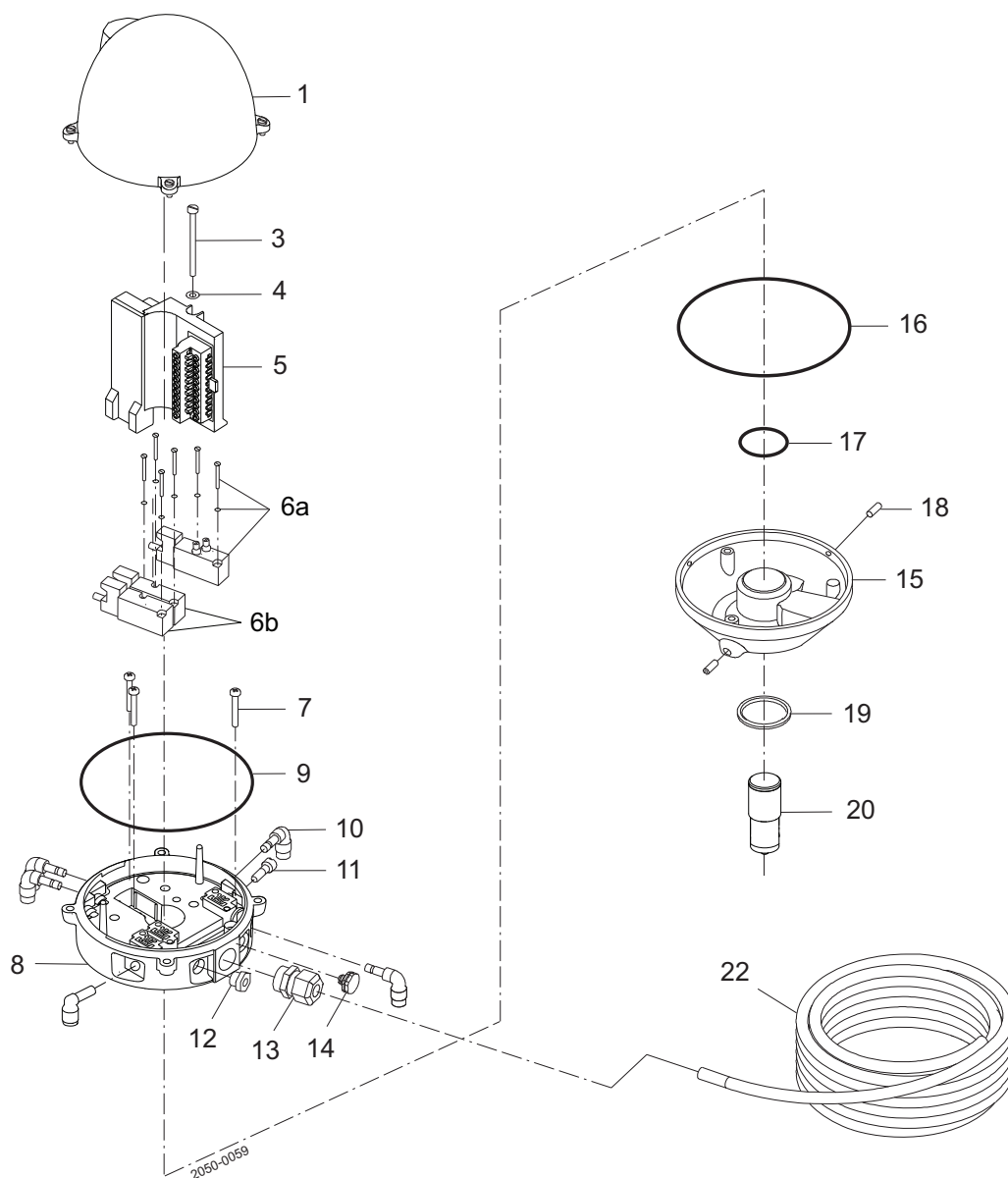
Pos	Qty	Denomination	SRC, ARC, SMP-BC, SMP-SC SF, Unique Mixproof, Unique-TO, Unique SSV, Unique SSV Aseptic SMP-TO, LKB (LKLA-T), Koltek MH, AMP, SBV	Ø6 mm Air connection	1/4" Air connection
1	1	Shell complete	9613427901		
3	1	Screw	9611993458		
4	1	Washer	9611993459		
5	1	Sensor board, Digital 8-30 VDC PNP/NPN (Period 0902-)	9613443401		
	1	Solenoid board, Digital 8-30 VDC PNP/NPN (Period -0902)	9612562701		
6a	1-3	Solenoid valve, 3/2, 24 VDC	9611993324		
	1-3	Solenoid valve, 3/2, 24 VAC (Period -1406)			
	1-3	Solenoid valve, 3/2, 110 VAC (Period -1406)			
6b	1	Solenoid valve, 5/2, 24 VDC	9611993327		
	1	Solenoid valve, 5/2, 24 VAC (Period -1406)			
	1	Solenoid valve, 5/2, 110 VAC (Period -1406)			
7	3	PT screw	9611993457		
8	1	Base, complete, no solenoids (Pos.9,12,13,14 included)		9613428401	9613428201
	1	Base, complete, 3/2 24 VDC, one solenoid (Pos.9,10,11,12,13,14 included)		9613428402	9613428202
	1	Base, complete, 3/2 24 VDC, two solenoids (Pos.9,10,11,12,13,14 included)		9613428408	9613428208
	1	Base, complete, 3/2 24 VDC, three solenoids (Pos.9,10,11,12,13,14 included)		9613428411	9613428211
	1	Base, complete, 5/2 24 VDC, one solenoid (Pos.9,10,11,12,13,14 included)		9613428403	
	1	Base, complete, 3/2 24 VAC, one solenoid (Pos.9,10,11,12,13,14 included) (Period -1406)			
	1	Base, complete, 3/2 24 VAC, two solenoids (Pos.9,10,11,12,13,14 included) (Period -1406)			
	1	Base, complete, 3/2 24 VAC, three solenoids (Pos.9,10,11,12,13,14 included) (Period -1406)			
	1	Base, complete, 5/2 24 VAC, one solenoid (Pos.9,10,11,12,13,14 included) (Period -1406)			
	1	Base, complete, 3/2 110 VAC, one solenoid (Pos.9,10,11,12,13,14 included) (Period -1406)			
	1	Base, complete, 3/2 110 VAC, two solenoids (Pos.9,10,11,12,13,14 included) (Period -1406)			
	1	Base, complete, 3/2 110 VAC, three solenoids (Pos.9,10,11,12,13,14 included) (Period -1406)			
	1	Base, complete, 5/2 110 VAC, one solenoid (Pos.9,10,11,12,13,14 included) (Period -1406)			
9	1	Special X-ring, grey	9613456401		
10	1	Air fitting elbow, metal plug, black rim, ø6mm/ø6mm (Period 1304-)		9611995678	
	1	Air fitting elbow, metal plug, grey rim, ø6mm/1/4" (Period 1304-)			9611995679
	1	Air fitting elbow, black, black rim, ø6mm/ø6mm (Period - 1201)		9611995673	
	1	Air fitting elbow, 1/4"/1/4" (Period - 1201)			9611995375
11	1	Blow-off valve	9612563601		
12	1	Thread plug, PG7 ø3-ø6.5 mm	9611993407		
13	1	Cable gland, PG11 ø4-ø10 mm	9611993517		
14	1	Gore vent high airflow	9611994722		
15	1	Adapter complete (Pos. 16,17,18,19 included)	9612562101		
16	1	Special X-ring, black	9612999401		
17	1	O-ring	9611993350		
18	2	Allen screw	9611993409		
19	1	Special X-ring	9612569601		
20	1	Indication pin, complete	9612562301		
	1	Indication pin, complete for Unique SSV LS and High Pressure	9614066001		
	1	Indication pin, complete incl. steel adapter for Unique SSV LS and High Pressure valve size 76.1-101.6mm/DN80-100 (Period - 1502)	9614067101		
	1	Indication pin, complete for Unique LP 4"+6"	9614197501		
	1	Indication pin, complete for Unique HT 2½"+3"	9614079401		
	1	Indication pin, complete for Unique HT 4"+6"	9614197501		
22	1	5 m flying PVC cable, (12 x 0.5 mm ² Digital	9611993627		
27	1	Threaded plate, only for SRC/ARC valves	3135707012		



Digital 8-30 VDC for Series 700

Pos	Qty	Denomination	1/4" Air connection
1	1	Shell complete	9613427901
3	1	Screw	9611993458
4	1	Washer	9611993459
5	1	Sensor board, Digital 8-30 VDC PNP/NPN (Period 0902-)	9613443401
	1	Sensor board, Digital 8-30 VDC PNP/NPN (Period -0902)	9612562701
6	1-3	Solenoid valve, 3/2, 24 VDC	9611993324
	1-3	Solenoid valve, 3/2, 24 VAC (Period -1406)	
	1-3	Solenoid valve, 3/2, 110 VAC (Period -1406)	
	1	Solenoid valve, 5/2, 24 VDC	9611993327
	1	Solenoid valve, 5/2, 24 VAC (Period -1406)	
	1	Solenoid valve, 5/2, 110 VAC (Period -1406)	
7	3	PT screw	9611993457
8	1	Base, complete, no solenoids (Pos.9,12,13,14 included)	9613428201
	1	Base, complete, 3/2 24 VDC, one solenoid (Pos.9,10,11,12,13,14 included)	9613428202
	1	Base, complete, 3/2 24 VDC, two solenoids (Pos.9,10,11,12,13,14 included)	9613428208
	1	Base, complete, 3/2 24 VDC, three solenoids (Pos.9,10,11,12,13,14 included)	9613428211
	1	Base, complete, 5/2 24 VDC, one solenoid (Pos.9,10,11,12,13,14 included)	9613428203
	1	Base, complete, 3/2 24 VAC, one solenoid (Pos.9,10,11,12,13,14 included) (Period -1406)	
	1	Base, complete, 3/2 24 VAC, two solenoids (Pos.9,10,11,12,13,14 included) (Period -1406)	
	1	Base, complete, 3/2 24 VAC, three solenoids (Pos.9,10,11,12,13,14 included) (Period -1406)	
	1	Base, complete, 5/2 24 VAC, one solenoid (Pos.9,10,11,12,13,14 included) (Period -1406)	
	1	Base, complete, 3/2 110 VAC, one solenoid (Pos.9,10,11,12,13,14 included) (Period -1406)	
	1	Base, complete, 3/2 110 VAC, two solenoids (Pos.9,10,11,12,13,14 included) (Period -1406)	
	1	Base, complete, 3/2 110 VAC, three solenoids (Pos.9,10,11,12,13,14 included) (Period -1406)	
	1	Base, complete, 5/2 110 VAC, one solenoid (Pos.9,10,11,12,13,14 included) (Period -1406)	
9	1	Special X-ring, grey	9613456401
10	1	Air fitting elbow, metal plug, grey rim, ø6mm/1/4" (Period 1304-)	9611995679
	1	Air fitting elbow, 1/4"/1/4" (period - 1201)	9611995375
11	2	Blow-off valve	9612563601
12	1	Thread plug, PG7 ø3-ø6.5 mm	9611993407
13	1	Cable gland, PG11 ø4-ø10 mm	9611993517
14	1	Gore vent high airflow	9611994722
15	1	Adapter complete (Pos. 11, 16, 17 included)	9612635802
16	1	Special X-ring, black	9612999401
17	1	O-ring	9611993350
18	4	Screw	9611993763
19	1	Retainer	9611994203
20	1	O-ring	9611993689
21	1	O-ring	9611993690
22	1	Indicator pin	9612635702
23	1	Nut	9611993764
24	1	5 m flying PVC cable, (12 x 0.5 mm ²) Digital	9611993627

TD 900-390/7

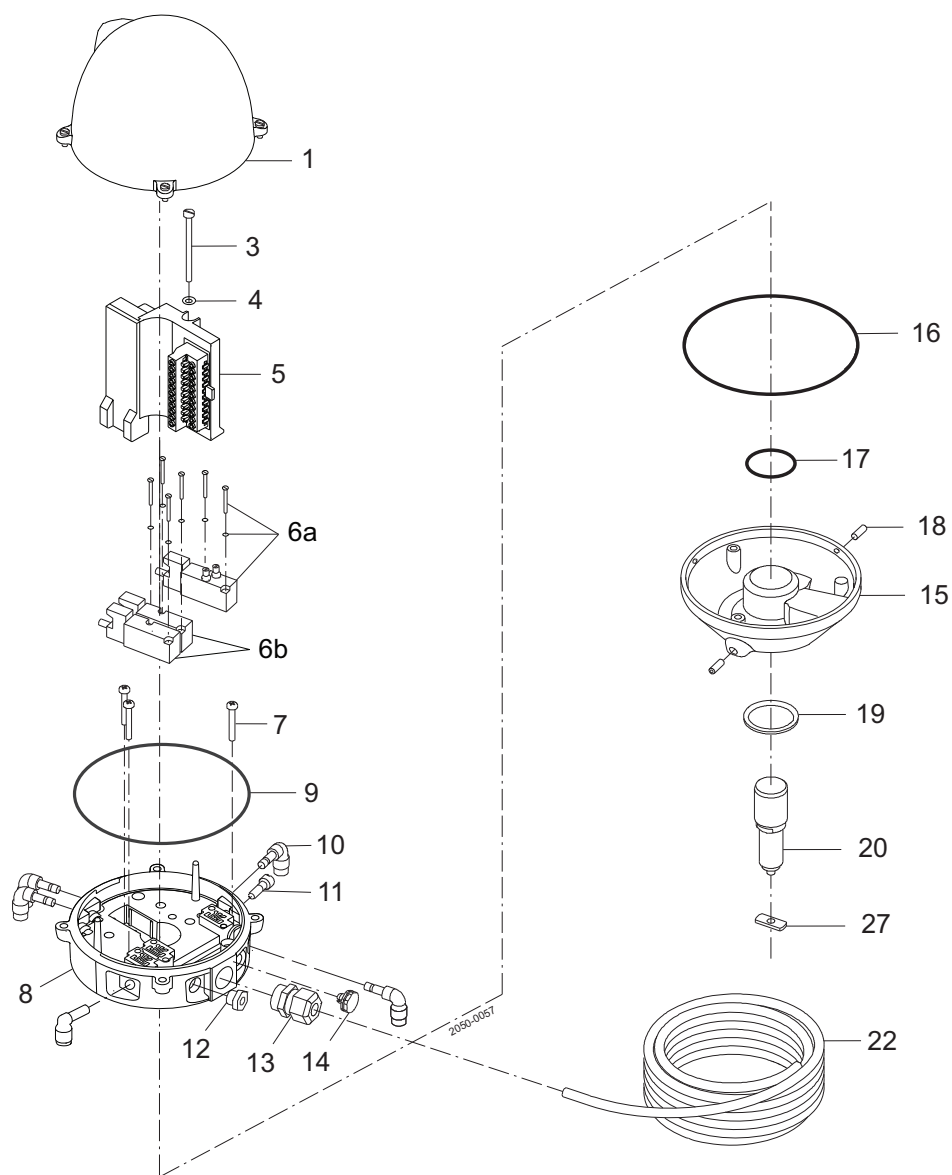


Digital 8-30 VDC for Unique PMO Mixproof valves

Pos	Qty	Denomination	1/4" Air connection
1	1	Shell complete	9613427901
3	1	Screw	9611993458
4	1	Washer	9611993459
5	1	Sensor board Digital 8-30 VDC PNP/NPN, (Period 0902-)	9613443501
	1	Sensor board Digital 8-30 VDC PNP/NPN, (Period -0902)	9613400101
6a	1-3	Solenoid valve, 3/2, 24 VDC	9611993324
	1-3	Solenoid valve, 3/2, 110 VAC (Period -1406)	
6b	1	Solenoid valve, 5/2, 24 VDC	9611993327
	1	Solenoid valve, 5/2, 110 VAC (Period -1406)	
7	3	PT screw	9611993457
8	1	Base complete, no solenoids	9613428223
		(Pos.9,12,13,14 included)	
	1	Base complete, 3/2 24 VDC, one solenoid	9613428228
		(Pos.9,10,11,12,13,14 included)	
	1	Base complete, 3/2 24 VDC, two solenoids	9613428232
		(Pos.9,10,11,12,13,14 included)	
	1	Base complete, 3/2 24 VDC, three solenoids	9613428234
		(Pos.9,10,11,12,13,14 included)	
	1	Base complete, 5/2 24 VDC, one solenoid	9613428229
		(Pos.9,10,11,12,13,14 included)	
	1	Base complete, 3/2 110 VAC, one solenoid	
		(Pos.9,10,11,12,13,14 included) (Period -1406)	
	1	Base complete, 3/2 110 VAC, two solenoids	
		(Pos.9,10,11,12,13,14 included) (Period -1406)	
	1	Base complete, 3/2 110 VAC, three solenoids	
		(Pos.9,10,11,12,13,14 included) (Period -1406)	
	1	Base complete, 5/2 110 VAC, one solenoid	
		(Pos.9,10,11,12,13,14 included) (Period -1406)	
9	1	Special X-ring, grey	9613456401
10	1	Air fitting elbow, metal plug, grey rim: ø6mm/1/4" (Period 1304 -)	9611995679
	1	Air fitting elbow, 1/4"/1/4" (Period - 1201)	9611995375
11	1	Blow-off valve	9612563601
12	1	Thread plug, PG7 ø3-ø6.5 mm	9611993407
13	1	Cable gland, PG11 ø4-ø10 mm	9611993517
14	1	Gore vent high airflow	9611994722
15	1	Adapter complete (Pos. 16,17,18,19 included)	9612562101
16	1	Special X-ring, black	9612999401
17	1	O-ring	9611993350
18	2	Allen screw	9611993409
19	1	Special X-ring	9612569601
20	1	Indication pin, complete PMO 1½"-4"	9612562301
	1	Indication pin, complete PMO 6"	9614197501
	1	Indication pin, complete PMO CURD 4"+6"	9614197501
	1	Indication pin, complete PMO CURD CP 4"+6"	9614197501
	1	Indication pin, complete PMO LP 4"+6"	9614197501
	1	Indication pin, complete PMO LP-F 4"+6"	9614197501
	1	Indication pin, complete Unique PMO Plus CP HT 2½"+3"	9614079401
	1	Indication pin, complete Unique PMO Plus CP HT 4"+6"	9614197501
		(Period 1209-)	
	1	Indication pin, complete Unique PMO Plus CP HT 4"+6"	9614079401
		(Period -1209)	
	1	Indication pin, complete Unique PMO Plus CP VT 2"+2½"+3"	9614079401
	1	Indication pin, complete Unique PMO Plus CP VT 4"	9614197501
		(Period 1209-)	
	1	Indication pin, complete Unique PMO Plus CP VT 4"	9614079401
		(Period -1209)	
22	1	5m. flying PVC cable, (12 x 0.5 mm ²) digital	9611993627

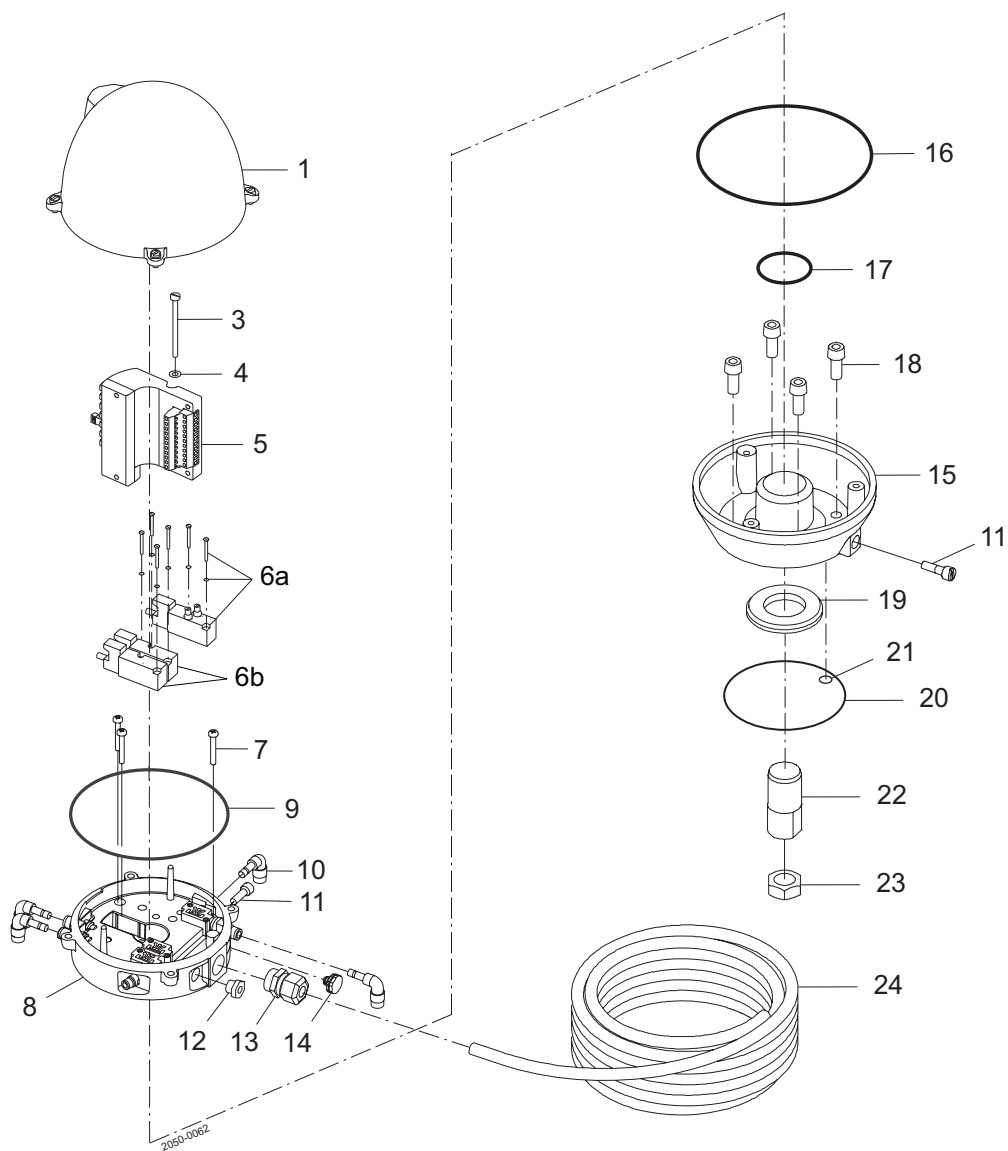
TD 900-603/6

Not manufactured anymore



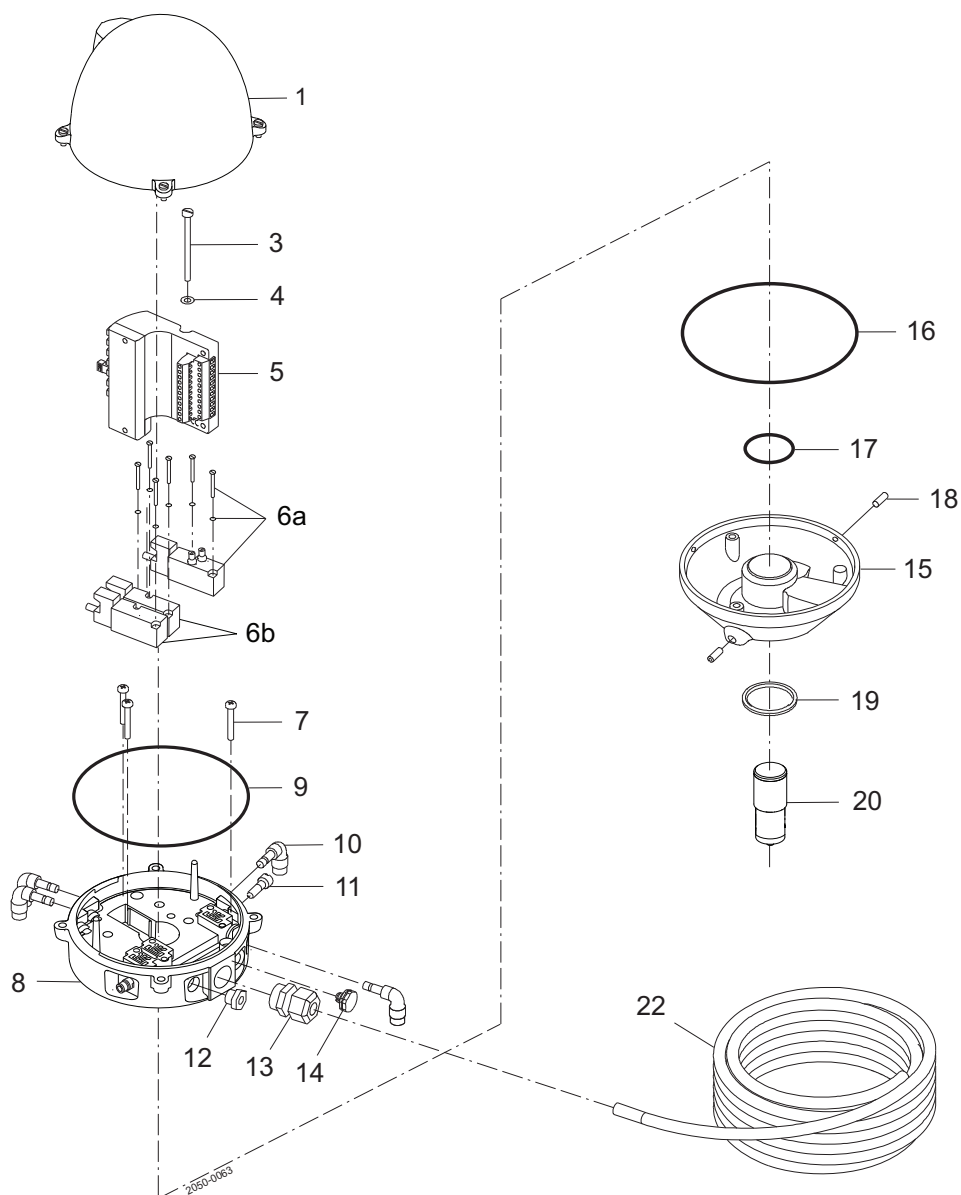
Pos	Qty	Denomination	SRC, ARC, SMP-BC, SMP-SC SF, Unique Mixproof, Unique-TO, Unique SSV, Unique SSV Aseptic, SMP-TO, LKB (LKLA-T), Koltek MH, AMP, SBV	Ø6 mm Air connection	1/4" Air connection
1	1	Shell complete	9613427901		
3	1	Screw	9611993458		
4	1	Washer	9611993459		
5	1	Sensor board , Digital 8-30 VAC NO/NC (Period -1406)			
6a	1-3	Solenoid valve, 3/2, 24 VDC	9611993324		
	1-3	Solenoid valve, 3/2, 24 VAC (Period -1406)			
	1-3	Solenoid valve, 3/2, 110 VAC (Period -1406)			
6b	1	Solenoid valve, 5/2, 24 VDC	9611993327		
	1	Solenoid valve, 5/2, 24 VAC (Period -1406)			
	1	Solenoid valve, 5/2, 110 VAC (Period -1406)			
7	3	PT screw	9611993457		
8	1	Base, complete, no solenoids (Pos.9,12,13,14 included)		9613428401	9613428201
	1	Base, complete, 3/2 24 VDC, one solenoids (Pos.9,10,11,12,13,14 included)		9613428402	9613428202
	1	Base, complete, 3/2 24 VDC, two solenoids (Pos.9,10,11,12,13,14 included)		9613428408	9613428208
	1	Base, complete, 3/2 24 VDC, three solenoids (Pos.9,10,11,12,13,14 included)		9613428411	9613428211
	1	Base, complete, 5/2 24 VDC, one solenoid (Pos.9,10,11,12,13,14 included)		9613428403	
	1	Base, complete, 3/2 24 VAC, one solenoids (Pos.9,10,11,12,13,14 included) (Period -1406)			
	1	Base, complete, 3/2 24 VAC, two solenoids (Pos.9,10,11,12,13,14 included) (Period -1406)			
	1	Base, complete, 3/2 24 VAC, three solenoids (Pos.9,10,11,12,13,14 included) (Period -1406)			
	1	Base, complete, 5/2 24 VAC, one solenoid (Pos.9,10,11,12,13,14 included) (Period -1406)			
	1	Base, complete, 3/2 110 VAC, one solenoid (Pos.9,10,11,12,13,14 included) (Period -1406)			
	1	Base, complete, 3/2 110 VAC, two solenoids (Pos.9,10,11,12,13,14 included) (Period -1406)			
	1	Base, complete, 3/2 110 VAC, three solenoids (Pos.9,10,11,12,13,14 included) (Period -1406)			
	1	Base, complete, 5/2 110 VAC, one solenoid (Pos.9,10,11,12,13,14 included) (Period -1406)			
9	1	Special X-ring, grey	9613456401		
10	1	Air fitting elbow, metal plug, black rim, ø6mm/ø6mm (Period 1304-)		9611995678	
	1	Air fitting elbow, metal plug, grey rim, ø6mm/1/4" (Period 1304 -)			9611995679
	1	Air fitting elbow, black, black rim, ø6mm/ø6mm (Period-1201)		9611995673	
	1	Air fitting elbow, 1/4"/1/4" (Period-1201)			9611995375
11	1	Blow-off valve	9612563601		
12	1	Thread plug, PG7 ø3-ø6.5 mm	9611993407		
13	1	Cable gland, PG11 ø4-ø10 mm	9611993517		
14	1	Gore vent high airflow	9611994722		
15	1	Adapter complete (pos.16,17,18,19 included)	9612562101		
16	1	Special X-ring, black	9612999401		
17	1	O-ring	9611993350		
18	2	Allen screw	9611993409		
19	1	Special X-ring	9612569601		
20	1	Indication pin, complete	9612562301		
	1	Indication pin, complete for Unique SSV LS and High Pressure ...	9614066001		
	1	Indication pin, complete incl. steel adapter for Unique SSV LS and High Pressure valve size 76.1-101.6mm/DN80-100	9614067101		
		(Period - 1502)			
	1	Indication pin, complete for Unique LP 4"+6"	9614197501		
	1	Indication pin, complete for Unique HT 2½"+3"	9614079401		
	1	Indication pin, complete for Unique HT 4"+6"	9614197501		
22	1	5m. flying PVC cable, (12 x 0.5 mm ²) Digital	9611993627		
27	1	Threaded plate only for SRC/ARC valves	3135707012		

Not manufactured anymore



Pos	Qty	Denomination	1/4" Air connection
1	1	Shell complete	9613427901
3	1	Screw	9611993458
4	1	Washer	9611993459
5	1	Sensor board Digital 8-30 VAC NO/NC (Period -1406)	
6	1-3	Solenoid valve, 3/2, 24 VDC	9611993324
	1-3	Solenoid valve, 3/2, 24 VAC (Period -1406)	
	1-3	Solenoid valve, 3/2, 110 VAC (Period -1406)	
	1	Solenoid valve, 5/2, 24 VDC	9611993327
	1	Solenoid valve, 5/2, 24 VAC (Period -1406)	
	1	Solenoid valve, 5/2, 110 VAC (Period -1406)	
7	3	PT screw	9611993457
8	1	Base, complete, no solenoids	9613428201
		(Pos.9,12,13,14 included)	
	1	Base, complete, 3/2 24 VDC, one solenoid	9613428202
		(Pos.9,10,11,12,13,14 included)	
	1	Base, complete, 3/2 24 VDC, two solenoids	9613428208
		(Pos.9,10,11,12,13,14 included)	
	1	Base, complete, 3/2 24 VDC, three solenoids	9613428211
		(Pos.9,10,11,12,13,14 included)	
	1	Base, complete, 5/2 24 VDC, one solenoid	9613428203
		(Pos.9,10,11,12,13,14 included)	
	1	Base, complete, 3/2 24 VAC, one solenoid	
		(Pos.9,10,11,12,13,14 included) (Period -1406)	
	1	Base, complete, 3/2 24 VAC, two solenoids	
		(Pos.9,10,11,12,13,14 included) (Period -1406)	
	1	Base, complete, 3/2 24 VAC, three solenoids	
		(Pos.9,10,11,12,13,14 included) (Period -1406)	
	1	Base, complete, 5/2 24 VAC, one solenoid	
		(Pos.9,10,11,12,13,14 included) (Period -1406)	
	1	Base, complete, 3/2 110 VAC, one solenoid	
		(Pos.9,10,11,12,13,14 included) (Period -1406)	
	1	Base, complete, 3/2 110 VAC, two solenoids	
		(Pos.9,10,11,12,13,14 included) (Period -1406)	
	1	Base, complete, 3/2 110 VAC, three solenoids	
		(Pos.9,10,11,12,13,14 included) (Period -1406)	
	1	Base, complete, 5/2 110 VAC, one solenoid	
		(Pos.9,10,11,12,13,14 included) (Period -1406)	
9	1	Special X-ring, grey	9613456401
10	1	Air fitting elbow, metal plug with grey rim, ø6mm / 1/4"	9611995679
		(Period 1304 -)	
	1	Air fitting elbow, 1/4"/1/4" (Period - 1201)	9611995375
11	2	Blow-off valve	9612563601
12	1	Thread plug, PG7 ø3-ø6.5 mm	9611993407
13	1	Cable gland, PG11 ø4-ø10 mm	9611993517
14	1	Gore vent high airflow	9611994722
15	1	Adapter complete, (pos. 11, 16, 17 included)	9612635802
16	1	Special X-ring, black	9612999401
17	1	O-ring	9611993350
18	4	Screw	9611993763
19	1	Retainer	9611994203
20	1	O-ring	9611993689
21	1	O-ring	9611993690
22	1	Indicator pin	9612635702
23	1	Nut	9611993764
24	1	5m flying PVC cable, (12 x 0.5 mm ²) Digital	9611993627

Not manufactured anymore

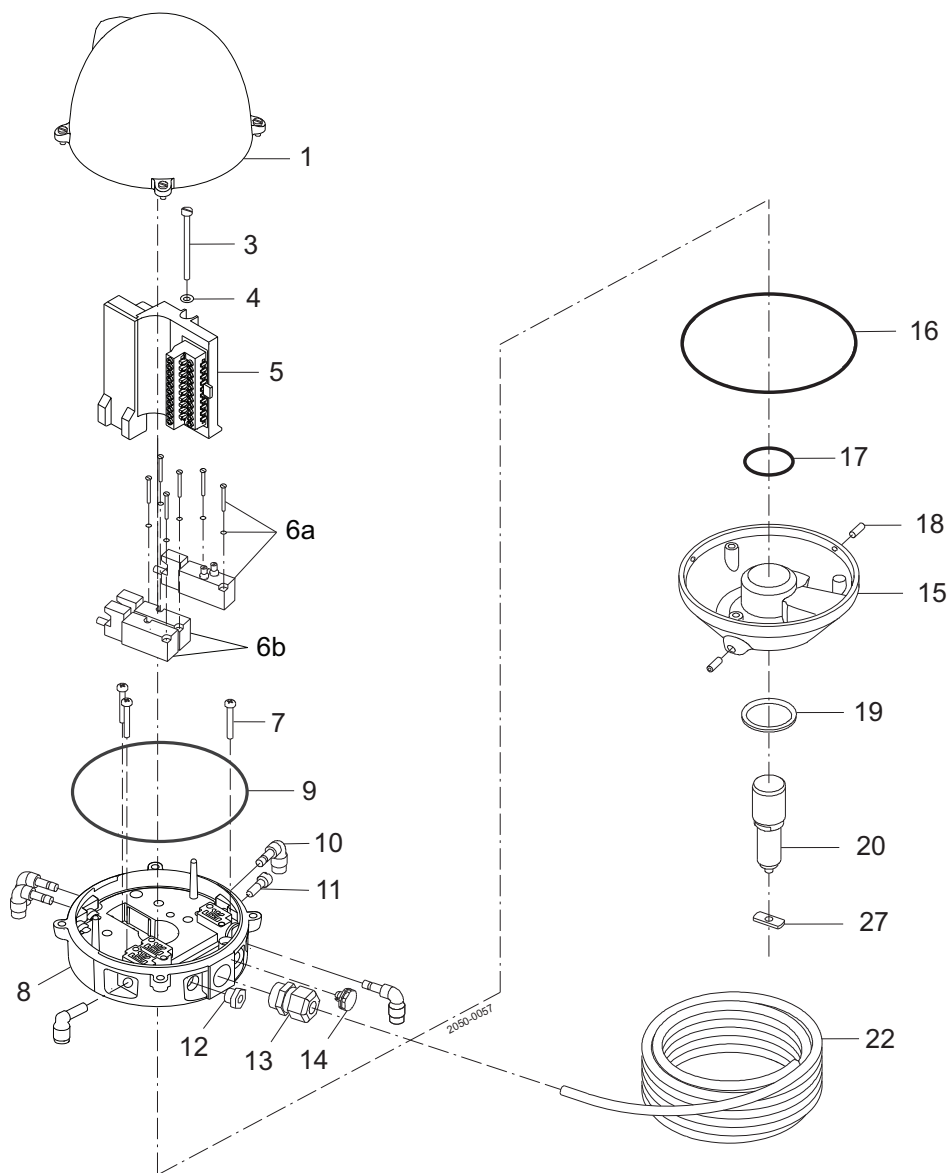


Digital 8-30 VAC for Unique PMO Mixproof valves

Pos	Qty	Denomination	1/4" Air connection
1	1	Shell complete	9613427901
3	1	Screw	9611993458
4	1	Washer	9611993459
5	1	Sensor board , Digital 8-30 VAC NO/NC (Period -1406)	
6a	1-3	Solenoid valve, 3/2, 24 VDC	9611993324
	1-3	Solenoid valve, 3/2, 110 VAC (Period -1406)	
6b	1	Solenoid valve, 5/2, 24 VDC	9611993327
	1	Solenoid valve, 5/2, 110 VAC (Period -1406)	
7	3	PT screw	9611993457
8	1	Base complete, no solenoids	9613428223
		(Pos.9,12,13,14 included)	
	1	Base complete, 3/2 24 VDC, one solenoids	9613428228
		(Pos.9,10,11,12,13,14 included)	
	1	Base complete, 3/2 24 VDC, two solenoids	9613428232
		(Pos.9,10,11,12,13,14 included)	
	1	Base complete, 3/2 24 VDC, three solenoids	9613428234
		(Pos.9,10,11,12,13,14 included)	
	1	Base complete, 5/2 24 VDC, one solenoid	9613428229
		(Pos.9,10,11,12,13,14 included)	
	1	Base complete, 3/2 110 VAC, one solenoid	
		(Pos.9,10,11,12,13,14 included) (Period -1406)	
	1	Base complete, 3/2 110 VAC, two solenoids	
		(Pos.9,10,11,12,13,14 included) (Period -1406)	
	1	Base complete, 3/2 110 VAC, three solenoids	
		(Pos.9,10,11,12,13,14 included)	
	1	Base complete, 5/2 110 VAC, one solenoid	
		(Pos.9,10,11,12,13,14 included) (Period -1406)	
9	1	Special X-ring, grey	9613456401
10	1	Air fitting elbow, metal plug with grey rim, ø6mm/1/4"	9611995679
		(Period 1304 -)	
	1	Air fitting elbow, 1/4"/1/4" (Period - 1201)	9611995375
11	1	Blow-off valve	9612563601
12	1	Thread plug, PG7 ø3-ø6.5 mm	9611993407
13	1	Cable gland, PG11 ø4-ø10 mm	9611993517
14	1	Gore vent high airflow	9611994722
15	1	Adapter complete (Pos. 16,17,18,19 included)	9612562101
16	1	Special X-ring, black	9612999401
17	1	O-ring	9611993350
18	2	Allen screw	9611993409
19	1	Special X-ring	9612569601
20	1	Indication pin, complete PMO 1½"-4"	9612562301
	1	Indication pin, complete PMO 6"	9614197501
	1	Indication pin, complete PMO CURD 4"+6"	9614197501
	1	Indication pin, complete PMO CURD CP 4"+6"	9614197501
	1	Indication pin, complete PMO LP 4"+6"	9614197501
	1	Indication pin, complete PMO LP-F 4"+6"	9614197501
	1	Indication pin, complete Unique PMO Plus CP HT 2½"+3"	9614079401
	1	Indication pin, complete Unique PMO Plus CP HT 4"+6"	9614197501
		(Period 1209-)	
	1	Indication pin, complete Unique PMO Plus CP HT 4"+6"	9614079401
		(Period -1209)	
	1	Indication pin complete Unique PMO Plus CP VT 2"+2½"+3"	9614079401
	1	Indication pin, complete Unique PMO Plus CP VT 4"	9614197501
		(Period 1209-)	
	1	Indication pin complete Unique PMO Plus CP VT 4"	9614079401
		(Period -1209)	
22	1	5m. flying PVC cable , (12 x 0.5 mm ²) Digital	9611993627

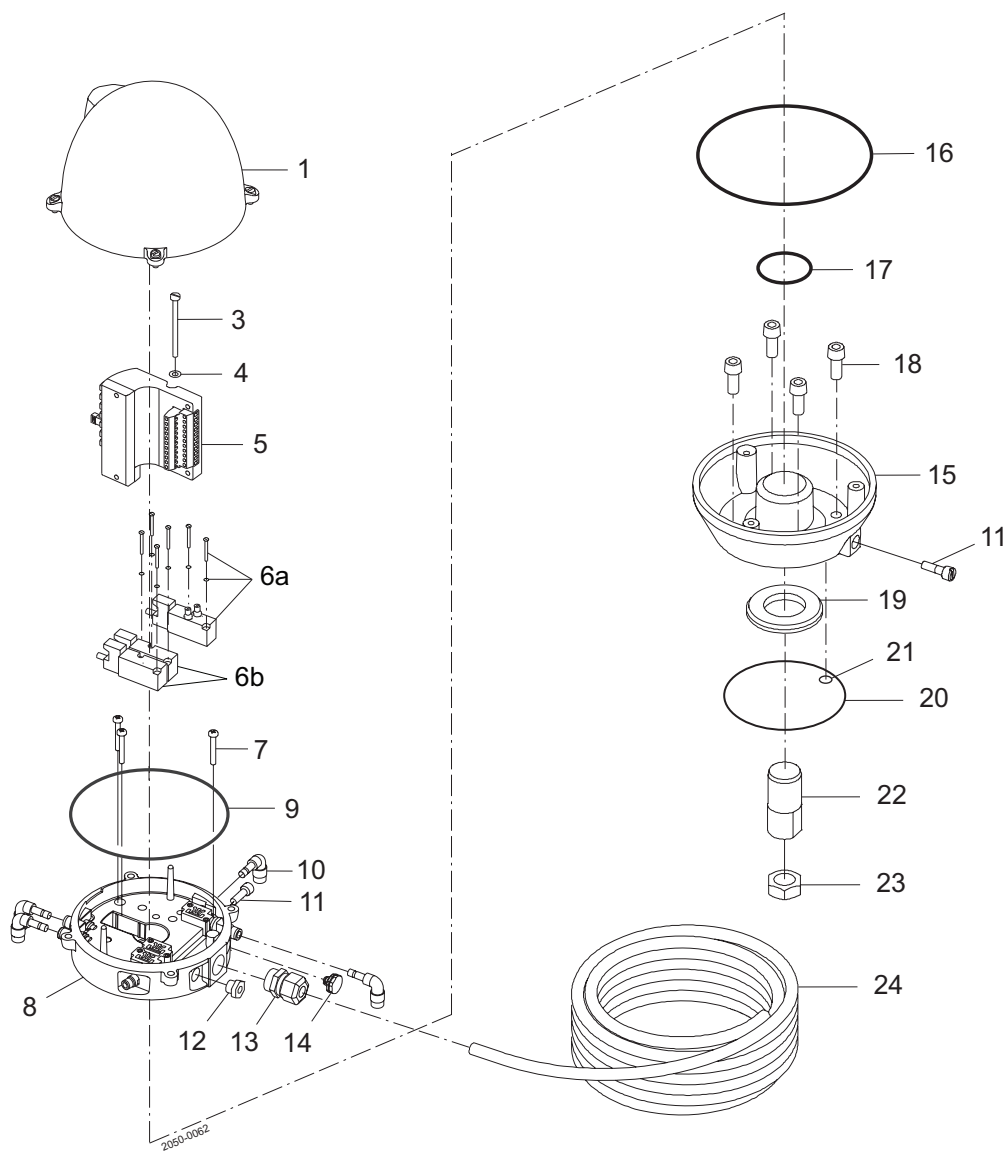
TD 900-604/6

Not manufactured anymore



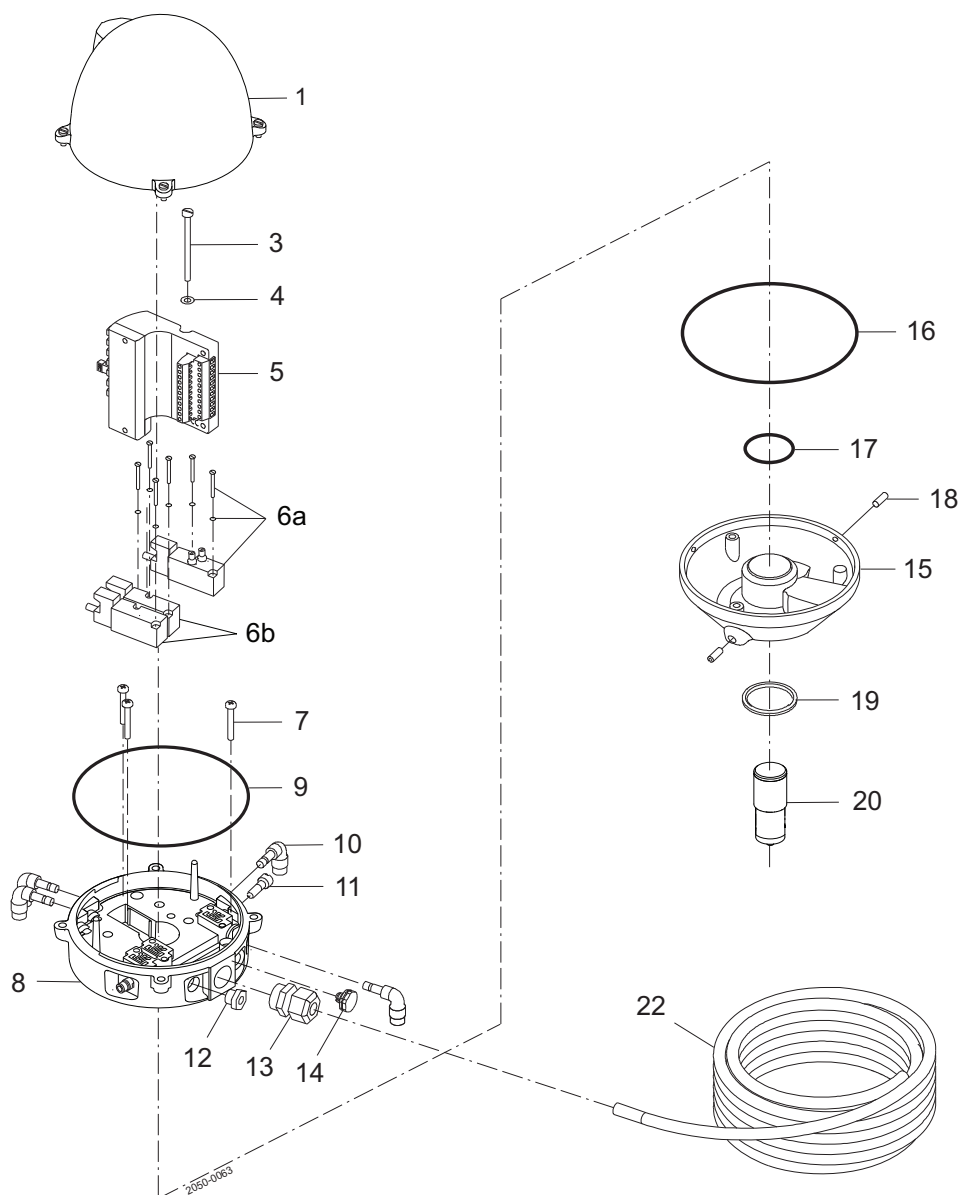
Pos	Qty	Denomination	SRC, ARC, SMP-BC, SMP-SC SF, Unique Mixproof, Unique-TO, Unique SSV, Unique SSV Aseptic, SMP-TO, LKB (LKLA-T), Koltek MH, AMP, SBV	ø6 mm Air connection	1/4" Air connection
1	1	Shell complete	9613427901		
3	1	Screw	9611993458		
4	1	Washer	9611993459		
6a	1-3	Solenoid valve, 3/2, 24 VDC	9611993324		
	1-3	Solenoid valve, 3/2, 24 VAC (Period -1406)			
	1-3	Solenoid valve, 3/2, 110 VAC (Period -1406)			
6b	1	Solenoid valve, 5/2, 24 VDC	9611993327		
	1	Solenoid valve, 5/2, 24 VAC (Period -1406)			
	1	Solenoid valve, 5/2, 110 VAC (Period -1406)			
7	3	PT screw	9611993457		
8	1	Base, complete, no solenoids		9613428401	9613428201
		(Pos. 9,12,13,14 included)			
	1	Base, complete, 3/2 24 VDC, one solenoids		9613428402	9613428202
		(Pos.9,10,11,12,13,14 included)			
	1	Base, complete, 3/2 24 VDC, two solenoids		9613428408	9613428208
		(Pos.9,10,11,12,13,14 included)			
	1	Base, complete, 3/2 24 VDC, three solenoids		9613428411	9613428211
		(Pos.9,10,11,12,13,14 included)			
	1	Base, complete, 5/2 24 VDC, one solenoid		9613428403	
		(Pos.9,10,11,12,13,14 included)			
	1	Base, complete, 3/2 24 VAC, one solenoids			
		(Pos.9,10,11,12,13,14 included) (Period -1406)			
	1	Base, complete, 3/2 24 VAC, two solenoids			
		(Pos.9,10,11,12,13,14 included) (Period -1406)			
	1	Base, complete, 3/2 24 VAC, three solenoids			
		(Pos.9,10,11,12,13,14 included) (Period -1406)			
	1	Base, complete, 5/2 24 VAC, one solenoid			
		(Pos.9,10,11,12,13,14 included) (Period -1406)			
	1	Base, complete, 3/2 110 VAC, one solenoid			
		(Pos.9,10,11,12,13,14 included) (Period -1406)			
	1	Base, complete, 3/2 110 VAC, two solenoids			
		(Pos.9,10,11,12,13,14 included) (Period -1406)			
	1	Base, complete, 3/2 110 VAC, three solenoids			
		(Pos.9,10,11,12,13,14 included) (Period -1406)			
	1	Base, complete, 5/2 110 VAC, one solenoid			
		(Pos.9,10,11,12,13,14 included) (Period -1406)			
9	1	Special X-ring, grey	9613456401		
10	1	Air fitting elbow, metal plug, black rim, ø6mm/ø6mm		9611995678	
		(Period -1304)			
	1	Air fitting elbow, metal plug, grey rim, ø6mm/1/4" (Period 1304-)			9611995679
	1	Air fitting elbow, black, black rim, ø6mm/ø6mm (Period-1201)		9611995673	
	1	Air fitting elbow, 1/4"/1/4" (Period-1201)			9611995375
11	1	Blow-off valve	9612563601		
12	1	Thread plug, PG7 ø3-ø6.5 mm	9611993407		
13	1	Cable gland, PG11 ø4-ø10 mm	9611993517		
14	1	Gore vent high airflow	9611994722		
15	1	Adapter complete (pos.16,17,18,19 included)	9612562101		
16	1	Special X-ring, black	9612999401		
17	1	O-ring	9611993350		
18	2	Allen screw	9611993409		
19	1	Special X-ring	9612569601		
20	1	Indication pin, complete	9612562301		
	1	Indication pin, complete for Unique SSV LS and High Pressure	9614066001		
	1	Indication pin, complete incl. steel adapter for Unique SSV LS and High Pressure valve size 76.1-101.6mm/DN80-100	9614067101		
		(Period -1502)			
	1	Indication pin, complete for Unique LP 4"+6"	9614197501		
	1	Indication pin, complete for Unique HT 2½"+3"	9614079401		
	1	Indication pin, complete for Unique HT 4"+6"	9614197501		
22	1	5m. flying PVC cable, (12 x 0.5 mm ²) Digital	9611993627		
27	1	Threaded plate only for SRC/ARC valves	3135707012		

Not manufactured anymore



Pos	Qty	Denomination	1/4" Air connection
1	1	Shell complete	9613427901
3	1	Screw	9611993458
4	1	Washer	9611993459
5	1	Sensor board Digital 110 VAC NO/NC (Period -1406)	
6	1-3	Solenoid valve, 3/2, 24 VDC	9611993324
	1-3	Solenoid valve, 3/2, 24 VAC (Period -1406)	
	1-3	Solenoid valve, 3/2, 110 VAC (Period -1406)	
	1	Solenoid valve, 5/2, 24 VDC	9611993327
	1	Solenoid valve, 5/2, 24 VAC (Period -1406)	
	1	Solenoid valve, 5/2, 110 VAC (Period -1406)	
7	3	PT screw	9611993457
8	1	Base, complete, no solenoids	9613428201
		(Pos.9,12,13,14 included)	
	1	Base, complete, 3/2 24 VDC, one solenoid	9613428202
		(Pos.9,10,11,12,13,14 included)	
	1	Base, complete, 3/2 24 VDC, two solenoids	9613428208
		(Pos.9,10,11,12,13,14 included)	
	1	Base, complete, 3/2 24 VDC, three solenoids	9613428211
		(Pos.9,10,11,12,13,14 included)	
	1	Base, complete, 5/2 24 VDC, one solenoid	9613428203
		(Pos.9,10,11,12,13,14 included)	
	1	Base, complete, 3/2 24 VAC, one solenoid	
		(Pos.9,10,11,12,13,14 included) (Period -1406)	
	1	Base, complete, 3/2 24 VAC, two solenoids	
		(Pos.9,10,11,12,13,14 included) (Period -1406)	
	1	Base, complete, 3/2 24 VAC, three solenoids	
		(Pos.9,10,11,12,13,14 included) (Period -1406)	
	1	Base, complete, 5/2 24 VAC, one solenoid	
		(Pos.9,10,11,12,13,14 included) (Period -1406)	
	1	Base, complete, 3/2 110 VAC, one solenoid	
		(Pos.9,10,11,12,13,14 included) (Period -1406)	
	1	Base, complete, 3/2 110 VAC, two solenoids	
		(Pos.9,10,11,12,13,14 included) (Period -1406)	
	1	Base, complete, 3/2 110 VAC, three solenoids	
		(Pos.9,10,11,12,13,14 included) (Period -1406)	
	1	Base, complete, 5/2 110 VAC, one solenoid	
		(Pos.9,10,11,12,13,14 included) (Period -1406)	
9	1	Special X-ring, grey	9613456401
10	1	Air fitting elbow, metal plug with grey rim, ø6mm/1/4"	9611995679
		(Period 1304 -)	
	1	Air fitting elbow, 1/4"/1/4" (Period - 1201)	9611995375
11	2	Blow-off valve	9612563601
12	1	Thread plug, PG7 ø3-ø6.5 mm	9611993407
13	1	Cable gland, PG11 ø4-ø10 mm	9611993517
14	1	Gore vent high airflow	9611994722
15	1	Adapter complete (pos.11, 16, 17 included)	9612635802
16	1	Special X-ring, black	9612999401
17	1	O-ring	9611993350
18	4	Screw	9611993763
19	1	Retainer	9611994203
20	1	O-ring	9611993689
21	1	O-ring	9611993690
22	1	Indicator pin	9612635702
23	1	Nut	9611993764
24	1	5m flying PVC cable Digital, (12 x 0.5 mm ²)	9611993627

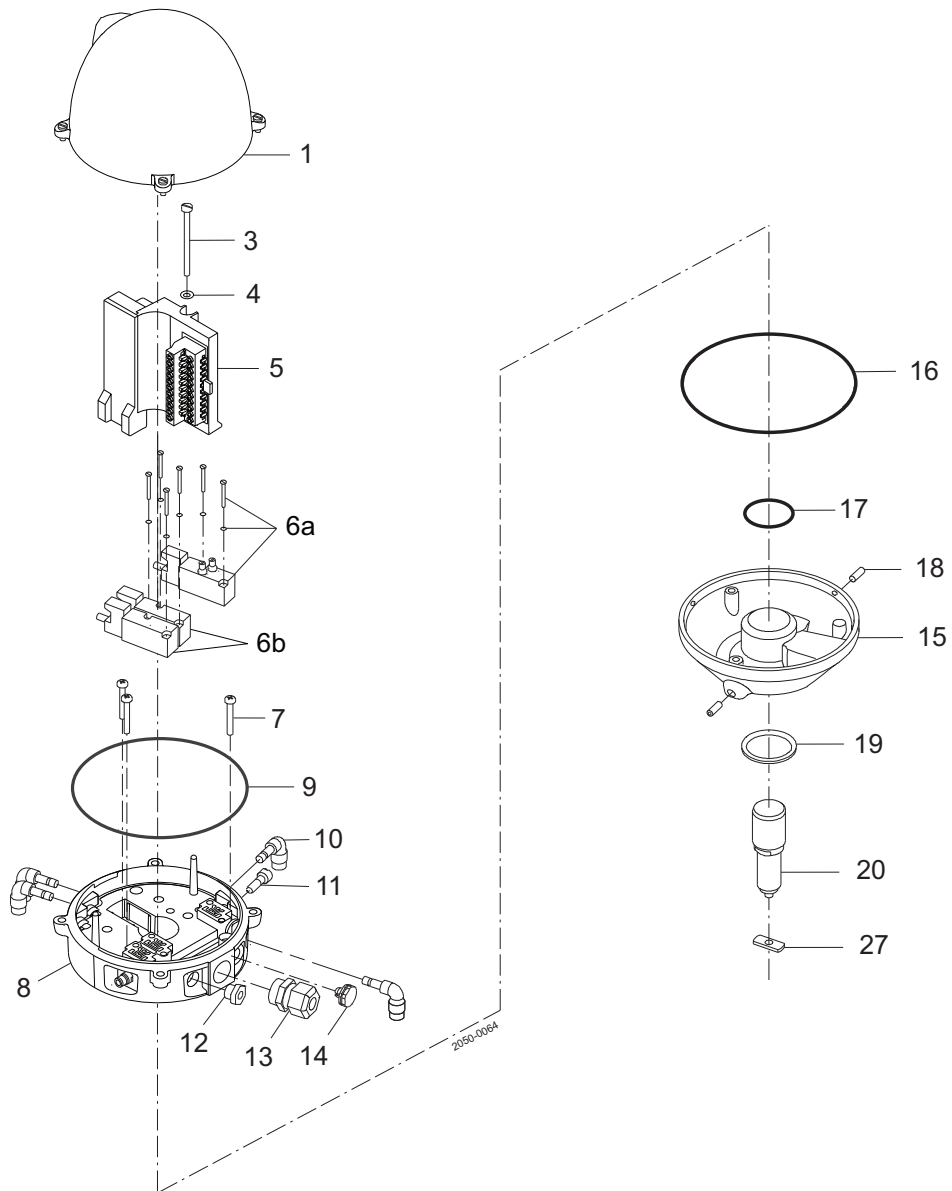
Not manufactured anymore



Digital 110 VAC for Unique PMO Mixproof valves

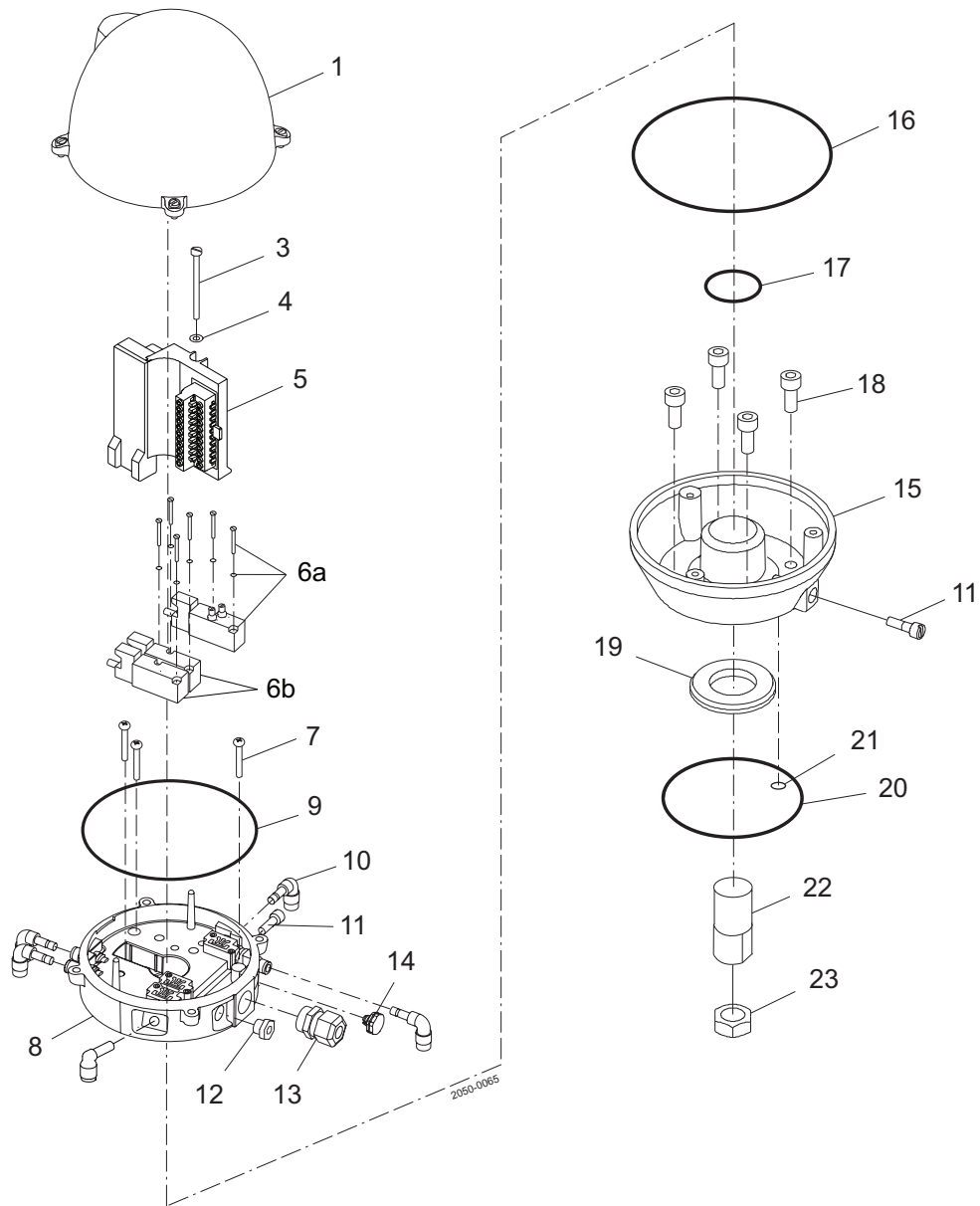
Pos	Qty	Denomination	1/4" Air connection
1	1	Shell complete	9613427901
3	1	Screw	9611993458
4	1	Washer	9611993459
5	1	Sensor board Digital 110 VAC NO/NC (Period -1406)	
6a	1-3	Solenoid valve, 3/2, 24 VDC	9611993324
	1-3	Solenoid valve, 3/2, 110 VAC (Period -1406)	
6b	1	Solenoid valve, 5/2, 24 VDC	9611993327
	1	Solenoid valve, 5/2, 110 VAC (Period -1406)	
7	3	PT screw	9611993457
8	1	Base complete, no solenoids (Pos.9,12,13,14 included)	9613428223
	1	Base complete, 3/2 24 VDC, one solenoids (Pos.9,10,11,12,13,14 included)	9613428228
	1	Base complete, 3/2 24 VDC, two solenoids (Pos.9,10,11,12,13,14 included)	9613428232
	1	Base complete, 3/2 24 VDC, three solenoids (Pos.9,10,11,12,13,14 included)	9613428234
	1	Base complete, 5/2 24 VDC, one solenoid (Pos.9,10,11,12,13,14 included)	9613428229
	1	Base complete, 3/2 110 VAC, one solenoid (Pos.9,10,11,12,13,14 included) (Period -1406)	
	1	Base complete, 3/2 110 VAC, two solenoids (Pos.9,10,11,12,13,14 included) (Period -1406)	
	1	Base complete, 3/2 110 VAC, three solenoids (Pos.9,10,11,12,13,14 included) (Period -1406)	
	1	Base complete, 5/2 110 VAC, one solenoid (Pos.9,10,11,12,13,14 included) (Period -1406)	
9	1	Special X-ring, grey	9613456401
10	1	Air fitting elbow, metal plug, grey rim,ø6mm/1/4" (Period 1304-)	9611995679
	1	Air fitting elbow, 1/4"/1/4" (Period - 1201)	9611995375
11	1	Blow-off valve	9612563601
12	1	Thread plug, PG7 ø3-ø6.5 mm	9611993407
13	1	Cable gland, PG11 ø4-ø10 mm	9611993517
14	1	Gore vent high airflow	9611994722
15	1	Adapter complete (Pos. 16,17,18,19 included)	9612562101
16	1	Special X-ring, black	9612999401
17	1	O-ring	9611993350
18	2	Allen screw	9611993409
19	1	Special X-ring	9612569601
20	1	Indication pin, complete PMO 1½"-4"	9612562301
	1	Indication pin, complete PMO 6"	9614197501
	1	Indication pin, complete PMO CURD 4"+6"	9614197501
	1	Indication pin, complete PMO CURD CP 4"+6"	9614197501
	1	Indication pin, complete PMO LP 4"+6"	9614197501
	1	Indication pin, complete PMO LP-F 4"+6"	9614197501
	1	Indication pin, complete Unique PMO Plus CP HT 2½"+3"	9614079401
	1	Indication pin, complete Unique PMO Plus CP HT 4"+6" (Period 1209-)	9614197501
	1	Indication pin, complete Unique PMO Plus CP HT 4"+6" (Period -1209)	9614079401
	1	Indication pin, complete Unique PMO Plus CP VT 2"+2½"+3"	9614079401
	1	Indication pin, complete Unique PMO Plus CP VT 4" (Period 1209-)	9614197501
	1	Indication pin, complete Unique PMO Plus CP VT 4" (Period -1209)	9614079401
22	1	5m. flying PVC cable, (12 x 0.5 mm ²) Digital	9611993627

TD 900-607/6



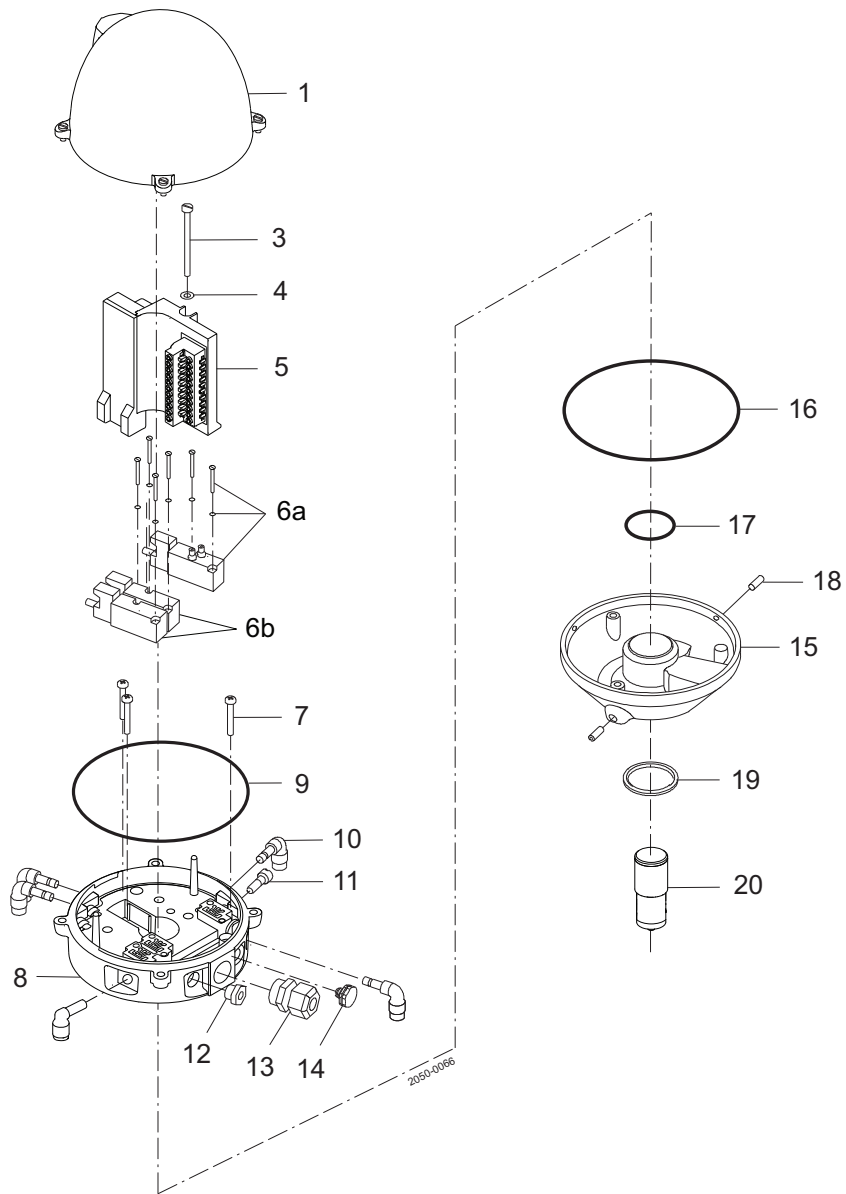
Pos	Qty	Denomination	SRC, ARC, SMP-BC, SMP-SC SF, Unique Mixproof, Unique-TO, Unique SSV, Unique SSV Aseptic, SMP-TO, LKB (LKLA-T), Koltek MH, AMP, SBV	Ø6 mm Air connection	1/4" Air connection
1	1	Shell complete	9613427901		
3	1	Screw	9611993458		
4	1	Washer	9611993459		
5	1	Sensor board DeviceNet 11-25 VDC, (Period 1206-)	9613443404		
	1	Sensor board DeviceNet 11-25 VDC, (Period -1206)	9612562704		
6a	1-3	Solenoid valve, 3/2, 8 VDC	9611993748		
6b	1	Solenoid valve, 5/2, 8 VDC	9611993749		
7	3	PT screw	9611993457		
8	1	Base, complete, no solenoids		9613428401	9613428201
		(Pos.9,12,13,14 included)			
	1	Base, complete, 3/2 8 VDC, one solenoid		9613428416	9613428216
		(Pos. 9,10,11,12,13,14 included)			
	1	Base, complete, 3/2 8 VDC, two solenoids		9613428417	9613428217
		(Pos. 9,10,11,12,13,14 included)			
	1	Base, complete, 3/2, 8 VDC, three solenoids		9613428418	9613428218
		(Pos. 9,10,11,12,13,14 included)			
	1	Base, complete, 5/2 8 VDC, one solenoid		9613428419	9613428219
		(Pos. 9,10,11,12,13,14 included)			
9	1	Special X-ring, grey	9613456401		
10	1	Air fitting elbow, metal plug, black rim, ø6mm/ø6mm		9611995678	
		(Period 1304-)			
	1	Air fitting elbow, metal plug, grey rim, ø6mm/1/4" (Period 1304-)			9611995679
	1	Air fitting elbow, black, black rim, ø6mm/ø6mm (Period-1201) ...		9611995673	
	1	Air fitting elbow, 1/4"/1/4" (Period - 1201)			9611995375
11	1	Blow-off valve	9612563601		
12	1	Thread plug, PG7 ø3-ø6.5 mm	9611993407		
13	1	Cable gland, PG11 ø4-ø10 mm	9611993517		
14	1	Gore vent high airflow	9611994722		
15	1	Adapter complete (pos. 16,17,18,19 included)	9612562101		
16	1	Special X-ring, black	9612999401		
17	1	O-ring	9611993350		
18	2	Allen screw	9611993409		
19	1	Special X-ring	9612569601		
20	1	Indication pin, complete	9612562301		
	1	Indication pin, complete for Unique SSV LS and High Pressure ...	9614066001		
	1	Indication pin, complete incl. steel adapter for Unique SSV LS and High Pressure valve size 76.1-101.6mm/DN80-100	9614067101		
		(Period -1502)			
	1	Indication pin, complete for Unique LP 4"+6"	9614197501		
	1	Indication pin, complete for Unique HT 2½"+3"	9614079401		
	1	Indication pin, complete for Unique HT 4"+6"	9614197501		
27	1	Threaded plate only for SRC/ARC valves	3135707012		

TD 900-388/8



Pos	Qty	Denomination	1/4" Air connection
1	1	Shell complete	9613427901
3	1	Screw	9611993458
4	1	Washer	9611993459
5	1	Sensor board DeviceNet 11-25 VDC, (Period 1206-)	9613443404
	1	Sensor board DeviceNet 11-25 VDC, (Period -1206)	9612562704
6	1-3	Solenoid valve, 3/2, 8 VDC	9611993748
	1	Solenoid valve, 5/2, 8 VDC	9611993749
7	3	PT screw	9611993457
8	1	Base, complete, no solenoids	9613428201
		(Pos.9,12,13,14 included)	
	1	Base, complete, 3/2 8 VDC, one solenoid	9613428216
		(Pos. 9,10,11,12,13,14 included)	
	1	Base, complete, 3/2 8 VDC, two solenoids	9613428217
		(Pos. 9,10,11,12,13,14 included)	
	1	Base, complete, 3/2, 8 VDC, three solenoids	9613428218
		(Pos. 9,10,11,12,13,14 included)	
	1	Base, complete, 5/2 8 VDC, one solenoid	9613428219
		(Pos. 9,10,11,12,13,14 included)	
9	1	Special X-ring, grey	9613456401
10	1	Air fitting elbow, metal plug with grey rim, ø6mm/1/4"	9611995679
		(Period 1304 -)	
	1	Air fitting elbow, 1/4"/1/4" (Period - 1201)	9611995375
11	2	Blow-off valve	9612563601
12	1	Thread plug, PG7 ø3-ø6.5 mm	9611993407
13	1	Cable gland, PG11 ø4-ø10 mm	9611993517
14	1	Gore vent high airflow	9611994722
15	1	Adapter complete (pos. 11, 16, 17 included)	9612635802
16	1	Special X-ring, black	9612999401
17	1	O-ring	9611993350
18	4	Screw	9611993763
19	1	Retainer	9611994203
20	1	O-ring	9611993689
21	1	O-ring	9611993690
22	1	Indicator pin	9612635702
23	1	Nut	9611993764

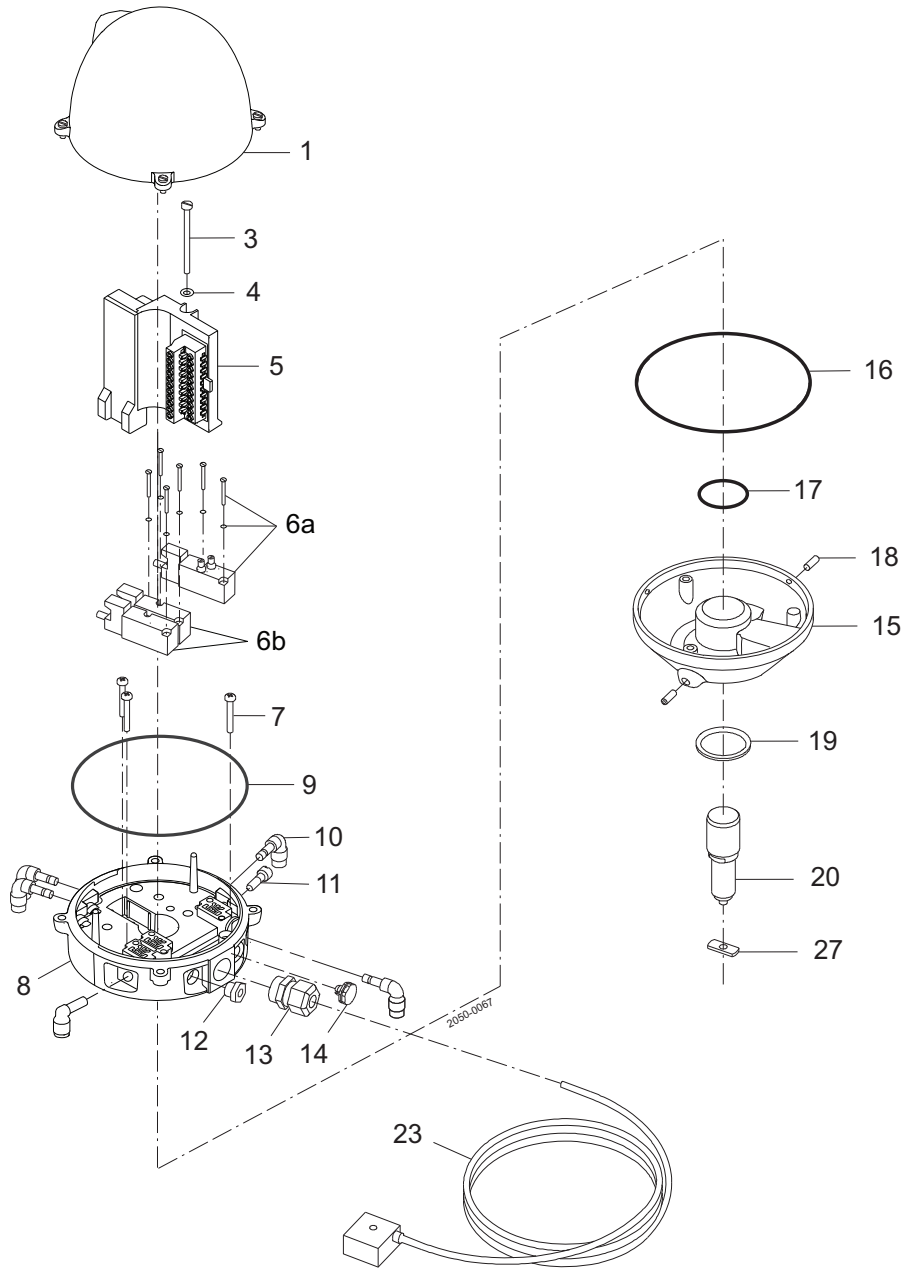
TD 900-392/6



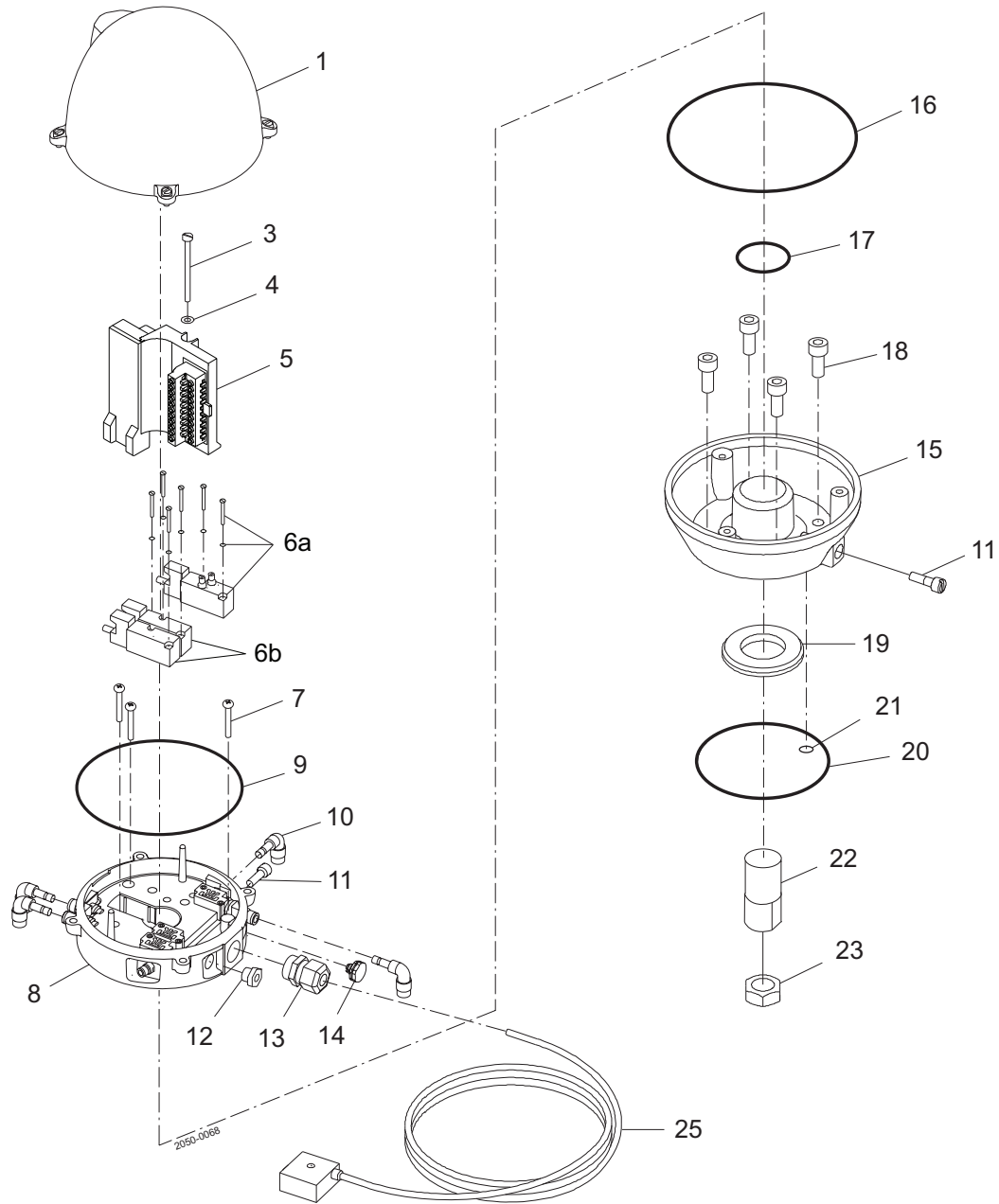
DeviceNet 11-25 VDC for Unique PMO Mixproof valves

Pos	Qty	Denomination	1/4" Air connection
1	1	Shell complete	9613427901
3	1	Screw	9611993458
4	1	Washer	9611993459
5	1	Sensor board, DeviceNet 11-25 VDC (Period 1206-)	9613443504
	1	Sensor board, DeviceNet 11-25 VDC (Period -1206)	9613400104
6	1-3	Solenoid valve, 3/2, 8 VDC	9611993748
	1	Solenoid valve, 5/2, 8 VDC	9611993749
7	3	PT screw	9611993457
8	1	Base complete, no solenoids	9613428223
		(Pos.9,12,13,14 included)	
	1	Base complete, 3/2 8 VDC, one solenoid	9613428224
		(Pos. 9,10,11,12,13,14 included)	
	1	Base complete, 3/2 8 VDC, two solenoids	9613428225
		(Pos. 9,10,11,12,13,14 included)	
	1	Base complete, 3/2, 8 VDC, three solenoids	9613428226
		(Pos. 9,10,11,12,13,14 included)	
	1	Base complete, 5/2 8 VDC, one solenoid	9613428227
		(Pos. 9,10,11,12,13,14 included)	
9	1	Special X-ring, grey	9613456401
10	1	Air fitting elbow, metal plug, grey rim: ø6mm/1/4"	9611995679
		(Period 1304 -)	
10	1	Air fitting elbow, 1/4"/1/4" (Period - 1201)	9611995375
11	1	Blow-off valve	9612563601
12	1	Thread plug, PG7 ø3-ø6.5 mm	9611993407
13	1	Cable gland, PG11 ø4-ø10 mm	9611993517
14	1	Gore vent high airflow	9611994722
15	1	Adapter complete (Pos. 16,17,18,19 included)	9612562101
16	1	Special X-ring, black	9612999401
17	1	O-ring	9611993350
18	2	Allen screw	9611993409
19	1	Special X-ring	9612569601
20	1	Indication pin, complete PMO 1½"-4"	9612562301
	1	Indication pin, complete PMO 6"	9614197501
	1	Indication pin, complete PMO CURD 4"+6"	9614197501
	1	Indication pin, complete PMO CURD CP 4"+6"	9614197501
	1	Indication pin, complete PMO LP 4"+6"	9614197501
	1	Indication pin, complete PMO LP-F 4"+6"	9614197501
	1	Indication pin, complete Unique PMO Plus CP HT 2½"+3"	9614079401
	1	Indication pin, complete Unique PMO Plus CP HT 4"+6"	9614197501
		(Period 1209-)	
	1	Indication pin, complete Unique PMO Plus CP HT 4"+6"	9614079401
		(Period -1209)	
	1	Indication pin, complete Unique PMO Plus CP VT 2"+2½"+3" ..	9614079401
	1	Indication pin, complete Unique PMO Plus CP VT 4"	9614197501
		(Period 1209-)	
	1	Indication pin, complete Unique PMO Plus CP VT 4"	9614079401
		(Period -1209)	

TD 900-605/6



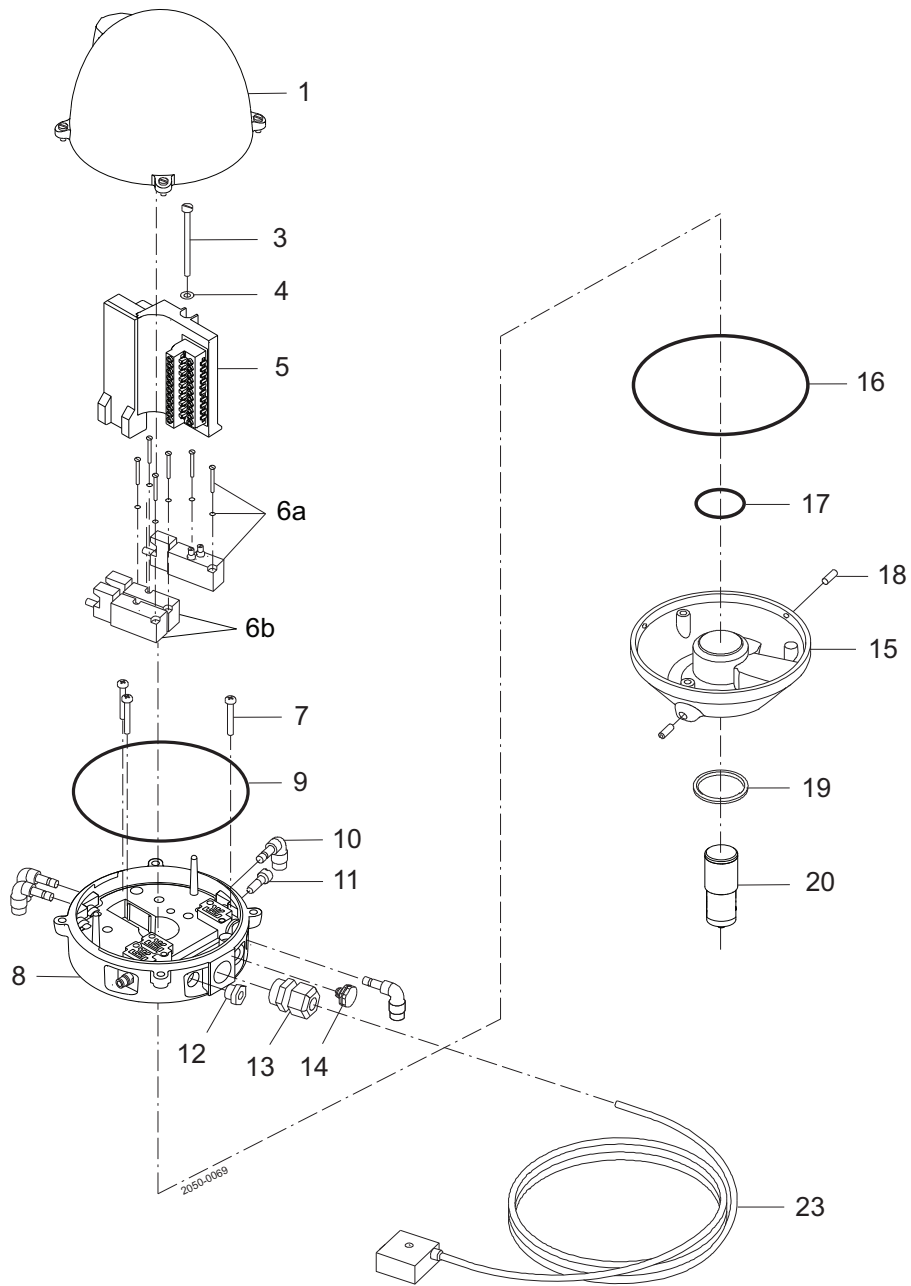
Pos	Qty	Denomination	SRC, ARC, SMP-BC, SMP-SC SF, Unique Mixproof, Unique-TO, Unique SSV, Unique SSV Aseptic, SMP-TO, LKB (LKLA-T), Koltek MH, AMP, SBV	Ø6 mm Air connection	1/4" Air connection
1	1	Shell complete	9613427901		
3	1	Screw	9611993458		
4	1	Washer	9611993459		
5	1	Sensor board, AS-Interface v.2.11 (31 node) (Period 0902-)	9613443402		
	1	Sensor board, AS-Interface v. 3.0 (62 node) (Period 0902-)	9613443403		
	1	Sensor board, AS-Interface 29.5-31.6 VDC (Period -0902)	9612562703		
6a	1-3	Solenoid valve 3/2, 24 VDC	9611993324		
6b	1	Solenoid valve 5/2, 24 VDC	9611993327		
7	3	PT screw	9611993457		
8	1	Base, complete, no solenoids		9613428401	9613428201
		(Pos.9,12,13,14 included)			
	1	Base, complete, 3/2 24 VDC, one solenoid		9613428402	9613428202
		(Pos.9,10,11,12,13,14 included)			
	1	Base, complete, 3/2 24 VDC, two solenoids		9613428408	9613428208
		(Pos.9,10,11,12,13,14 included)			
	1	Base, complete, 3/2 24 VDC, three solenoids		9613428411	9613428211
		(Pos.9,10,11,12,13,14 included)			
	1	Base, complete, 5/2 24 VDC, one solenoid		9613428403	
		(Pos.9,10,11,12,13,14 included)			
9	1	Special X-ring, grey	9613456401		
10	1	Air fitting, elbow, metal plug, black rim, ø6mm/ø6mm		9611995678	
		(Period 1304 -)			
	1	Air fitting elbow, metal plug, grey rim, ø6mm/1/4"			9611995679
		(Period 1304 -)			
	1	Air fitting elbow, black with black rim, ø6mm/ø6mm		9611995673	
		(Period - 1201)			
	1	Air fitting elbow, 1/4"/1/4" (Period - 1201)			9611995375
11	1	Blow-off valve	9612563601		
12	1	Thread plug, PG7, ø3-ø6.5 mm	9611993407		
13	1	Cable gland, PG11, ø4-ø10 mm	9611993517		
14	1	Gore vent	9611994722		
15	1	Adapter complete, (pos. 16,17,18,19 included)	9612562101		
16	1	Special X-ring, black	9612999401		
17	1	O-ring	9611993350		
18	2	Allen screw	9611993409		
19	1	Special X-ring	9612569601		
20	1	Indication pin, complete	9612562301		
	1	Indication pin, complete for Unique SSV LS and High Pressure	9614066001		
	1	Indication pin, complete incl. steel adapter for Unique SSV LS and High Pressure valve size 76.1-101.6mm/DN80-100	9614067101		
		(Period -1502)			
	1	Indication pin, complete for Unique LP 4"+6"	9614197501		
	1	Indication pin, complete for Unique HT 2½"+3"	9614079401		
	1	Indication pin, complete for Unique HT 4"+6"	9614197501		
23	1	2 m ASI drop cable, (2 x 0.5 mm ²) with flat cable connector	9611993518		
27	1	Threaded plate, only for SRC/ARC valves	3135707012		



AS-Interface 29.5-31.6 VDC for Series 700

Pos	Qty	Denomination	1/4" Air connection
1	1	Shell complete	9613427901
3	1	Screw	9611993458
4	1	Washer	9611993459
5	1	Sensor board, AS-Interface v.2.11 (31 node) (Period 0902-)	9613443402
	1	Sensor board, AS-Interface v. 3.0 (62 node) (Period 0902-)	9613443403
	1	Sensor board, AS-Interface 29.5-31.6 VDC (Period -0902)	9612562703
6a	1-3	Solenoid valve 3/2, 24 VDC	9611993324
6b	1	Solenoid valve 5/2, 24 VDC	9611993327
7	3	PT screw	9611993457
8	1	Base, complete, no solenoids	9613428201
		(Pos.9,12,13,14 included)	
	1	Base, complete, 3/2 24 VDC, one solenoid	9613428202
		(Pos.9,10,11,12,13,14 included)	
	1	Base, complete, 3/2 24 VDC, two solenoids	9613428208
		(Pos.9,10,11,12,13,14 included)	
	1	Base, complete, 3/2 24 VDC, three solenoids	9613428211
		(Pos.9,10,11,12,13,14 included)	
	1	Base, complete, 5/2 24 VDC, one solenoid	9613428203
		(Pos.9,10,11,12,13,14 included)	
9	1	Special X-ring, grey	9613456401
10	1	Air fitting, metal plug, grey rim, ø6mm/1/4" (Period 1304-)	9611995679
	1	Air fitting, elbow, 1/4"/1/4" (Period - 1201)	9611995375
11	2	Blow-off valve	9612563601
12	1	Thread plug, PG7 ø3-ø6.5 mm	9611993407
13	1	Cable gland, PG11 ø4-ø10 mm	9611993517
14	1	Gore vent	9611994722
15	1	Adapter complete, (Pos. 11, 16, 17 included)	9612635802
16	1	Special X-ring, black	9612999401
17	1	O-ring	9611993350
18	4	Screw	9611993763
19	1	Retainer	9611994203
20	1	O-ring	9611993689
21	1	O-ring	9611993690
22	1	Indicator pin	9612635702
23	1	Nut	9611993764
25	1	2 m ASI drop cable, (2 x 0.5 mm ²) with flat cable connector	9611993518

TD 900-393/6



AS-Interface 29.5-31.6 VDC for Unique PMO Mixproof valves

Pos	Qty	Denomination	1/4" Air connection
1	1	Shell complete	9613427901
3	1	Screw	9611993458
4	1	Washer	9611993459
5	1	Sensor board, AS-Interface v.2.11 (31 node) (Period 0902-)	9613443502
	1	Sensor board, AS-Interface v. 3.0 (62 node) (Period 0902-)	9613443503
	1	Sensor board, AS-Interface 29.5-31.6 VDC (Period -0902)	9613400103
6a	1-3	Solenoid valve, 3/2, 24 VDC	9611993324
6b	1	Solenoid valve, 5/2, 24 VDC	9611993327
7	3	PT screw	9611993457
8	1	Base complete, no solenoids (Pos.9,12,13,14 included)	9613428223
	1	Base complete, 3/2 24 VDC, one solenoid (Pos.9,10,11,12,13,14 included)	9613428228
	1	Base complete, 3/2 24 VDC, two solenoids (Pos.9,10,11,12,13,14 included)	9613428232
	1	Base complete, 3/2 24 VDC, three solenoids (Pos.9,10,11,12,13,14 included)	9613428234
	1	Base complete, 5/2 24 VDC, one solenoid (Pos.9,10,11,12,13,14 included)	9613428229
9	1	Special X-ring, grey	9613456401
10	1	Air fitting elbow, metal plug with grey rim: ø6mm/1/4" (Period 1304 -)	9611995679
10	1	Air fitting elbow, 1/4"/1/4" (Period - 1201)	9611995375
11	1	Blow-off valve	9612563601
12	1	Thread plug, PG7 ø3-ø6.5 mm	9611993407
13	1	Cable gland, PG11 ø4-ø10 mm	9611993517
14	1	Gore vent high airflow	9611994722
15	1	Adapter complete, (Pos. 16,17,18,19 included)	9612562101
16	1	Special X-ring, black	9612999401
17	1	O-ring	9611993350
18	2	Allen screw	9611993409
19	1	Special X-ring	9612569601
20	1	Indication pin, complete Unique PMO 1½"-4"	9612562301
	1	Indication pin, complete Unique PMO 6"	9614197501
	1	Indication pin, complete Unique PMO CURD 4"+6"	9614197501
	1	Indication pin, complete Unique PMO CURD CP 4"+6"	9614197501
	1	Indication pin, complete Unique PMO LP 4"+6"	9614197501
	1	Indication pin, complete Unique PMO LP-F 4"+6"	9614197501
	1	Indication pin, complete Unique PMO Plus CP HT 2½"+3"	9614079401
	1	Indication pin, complete Unique PMO Plus CP HT 4"+6" (Period 1209-)	9614197501
	1	Indication pin, complete Unique PMO Plus CP HT 4"+6" (Period -1209)	9614079401
	1	Indication pin, complete Unique PMO Plus CP VT 2"+2½"+3"	9614079401
	1	Indication pin, complete Unique PMO Plus CP VT 4" (Period 1209-)	9614197501
	1	Indication pin, complete Unique PMO Plus CP VT 4" (Period -1209)	9614079401
23	1	2 m ASI drop cable , (2 x 0.5 mm ²) with flat cable connector	9611993518

TD 900-606/6

How to contact Alfa Laval

Contact details for all countries are continually updated on our website.

Please visit www.alfalaval.com to access the information directly.

© Alfa Laval Corporate AB

This document and its contents is owned by Alfa Laval Corporate AB and protected by laws governing intellectual property and thereto related rights. It is the responsibility of the user of this document to comply with all applicable intellectual property laws. Without limiting any rights related to this document, no part of this document may be copied, reproduced or transmitted in any form or by any means (electronic, mechanical, photocopying, recording, or otherwise), or for any purpose, without the expressed permission of Alfa Laval Corporate AB. Alfa Laval Corporate AB will enforce its rights related to this document to the fullest extent of the law, including the seeking of criminal prosecution.