



MAGNETIC STRAINER

Reduce risk of damage to valuable equipment from unwanted debris and preserve product integrity

OVERVIEW

The TrueClean® Magnetic Strainer stops pipeline debris from entering and mixing in the flowline. With proper installation, strainers reduce risk of damage to valuable pumps, valves, and heat exchangers from unwanted materials.

FEATURES

- Magnetized stem for removal of light ferrous material
- Compact design
- Easy to disassemble for cleaning and inspection
- Straining holes available from 1/8" to 5/8"
- Fully drainable in horizontal (recommended) or vertical position
- Can be cleaned-in-place, once trapped particulates are removed
- Plates are available in traditional perforations or elongated slots

APPLICATIONS

- Food, dairy, and beverage
- Processed foods
- Home and personal care
- Bulk unloading stations (truck receiving)
- Equipment protection
- Small particulate straining
- Metallic debris removal from products with large particulates

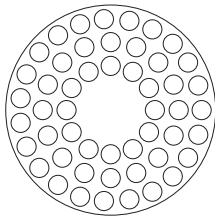
MADE IN THE USA

MAGNETIC STRAINER

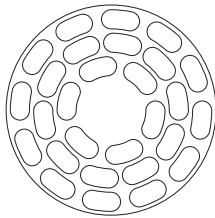


SPECIFICATIONS

- 316L stainless steel or AL-6XN® alloy
- Elastomer: EPDM (standard), Viton, or Teflon
- Finish: 32 Ra ID/OD
- Connection: standard pressure Tri-Clamp®



Circular Strainer Shape (standard)



Elongated Strainer Shape

ITEM NUMBER CONFIGURATION

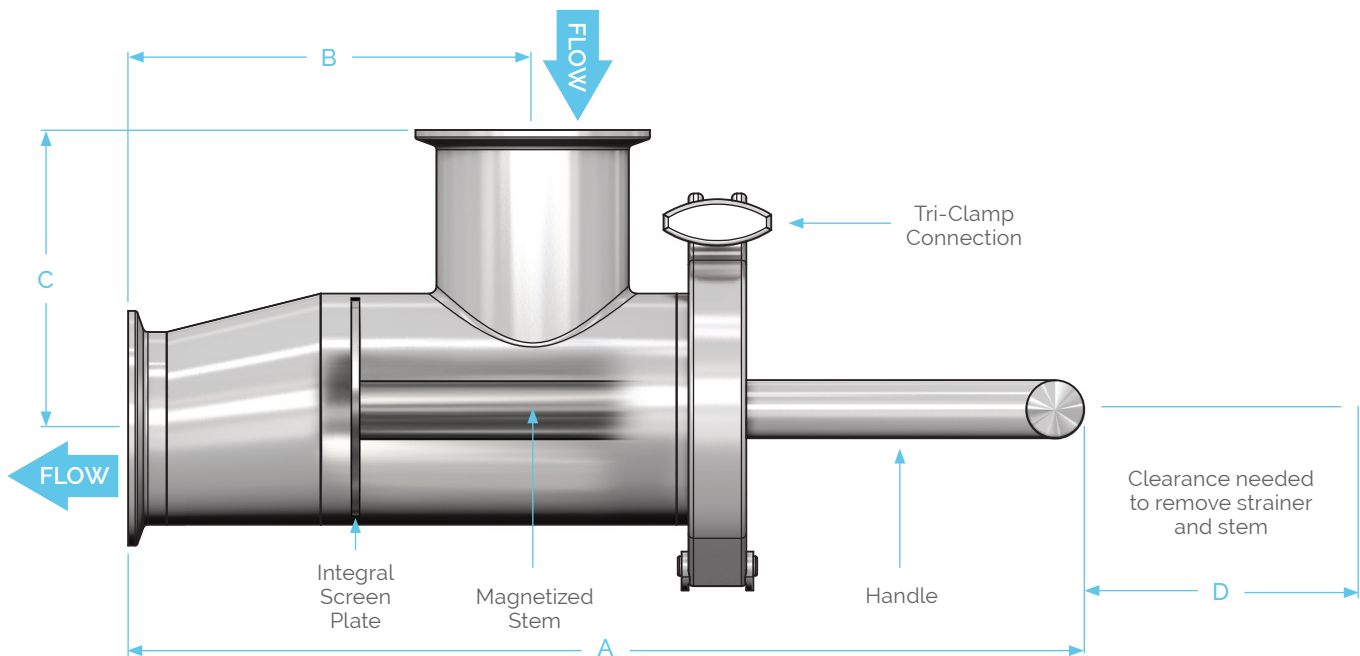
TMS-15 M 2 P - E - 316L - 7

SIZE	CONNECTION	STRAINER SIZE	STRAINER SHAPE	ELASTOMER	MATERIAL	FINISH
15 = 1.5"	M = STANDARD PRESSURE TRI-CLAMP	1 = 1/8"	P = CIRCULAR SLOTS (STANDARD)	E = EPDM (STANDARD)	316L = STAINLESS STEEL AL6XN = AL-6XN ALLOY	7 = 32 RA ID/OD
20 = 2.0"		2 = 1/4"				
25 = 2.5"		3 = 3/8"				
30 = 3.0"		4 = 1/2"	S = ELONGATED SLOTS	Y = VITON		
40 = 4.0"		5 = 5/8"		G = TEFLON		

DIMENSIONS

SIZE	A	B	C	D
1.5	18	9-7/8	4-3/8	5-3/8
2	14-1/8	7-7/8	4-1/8	5-3/8
2.5	17-1/8	10-5/8	5-1/8	5-3/8
3	15-3/8	8-5/8	4-7/8	5-3/8
4	11-1/2	4-3/4	4-3/4	5-3/8

All dimensions are shown in inches.



CSIDESIGNS.COM | +1.417.831.1411 | SALES@CSIDESIGNS.COM
 SPRINGFIELD, MO | GRAND PRAIRIE, TX | DURHAM, NC | FRESNO, CA

