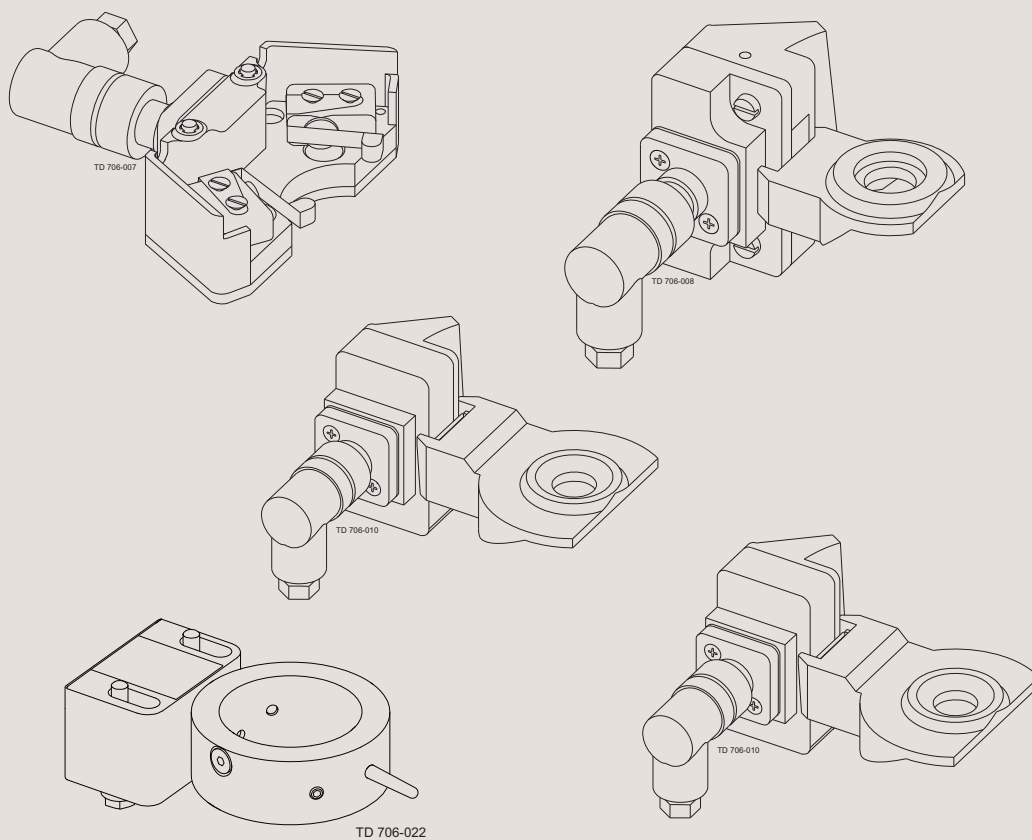




Spare Parts

Indication Units

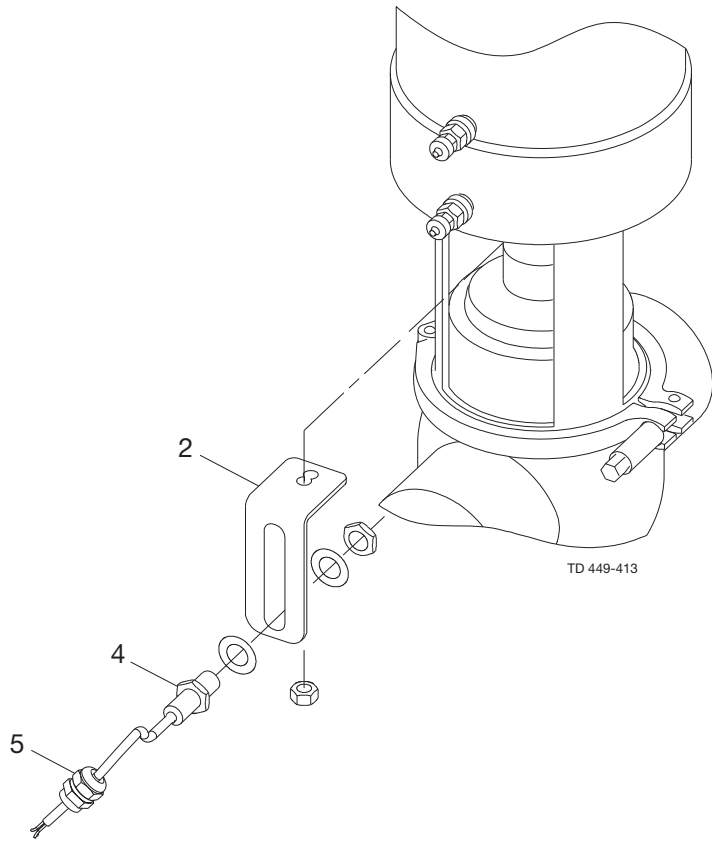


ESE00781-EN4 2017-07

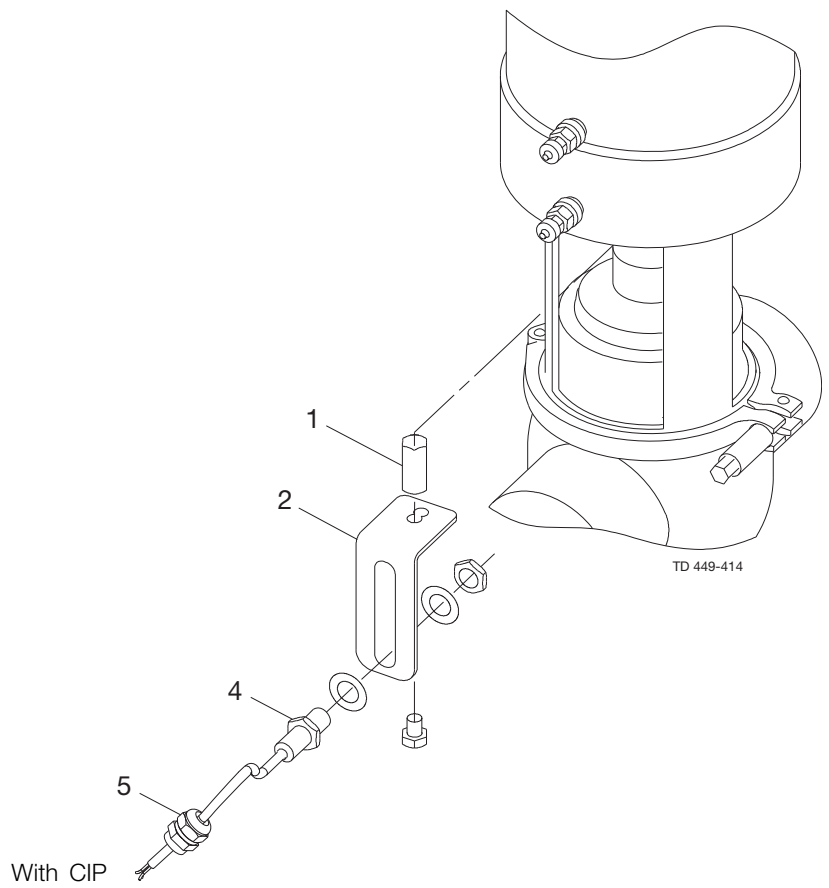
Original manual

The information herein is correct at the time of issue but may be subject to change without prior notice

1. Indication for Unique	4
2. Bracket with sensor unit for SMP-SC	6
3. Micro Switch Unit for Valve SRC	8
4. Inductive Proximity Switch Unit for Valve SRC/ARC	10
5. Hall Proximity Switch Unit for Valve SRC/ARC	12
6. Indication for Air Actuator type LKLA ø85	14
7. Micro-Switch Unit for Air-Actuator LKLA	16
8. Hall Proximity Switch Unit	18
9. Indication for Air Actuator type LKLA ø133	20
10. Micro-Switch Unit for Air Actuator LKLA ø133	22
11. Proximity Switches for Air Actuator LKLA ø133	24
12. Micro-Switch Unit for Valve LKAB	26
13. Bracket System Complete LKAP, SMP-EC, SRC, SRC-LS, ARC, SMP-BC, SMP-SC, LKLA-T, ARC-SB, SMP-BCA, SMP-TO, Koltek MH, SBV and Unique	28



Without CIP



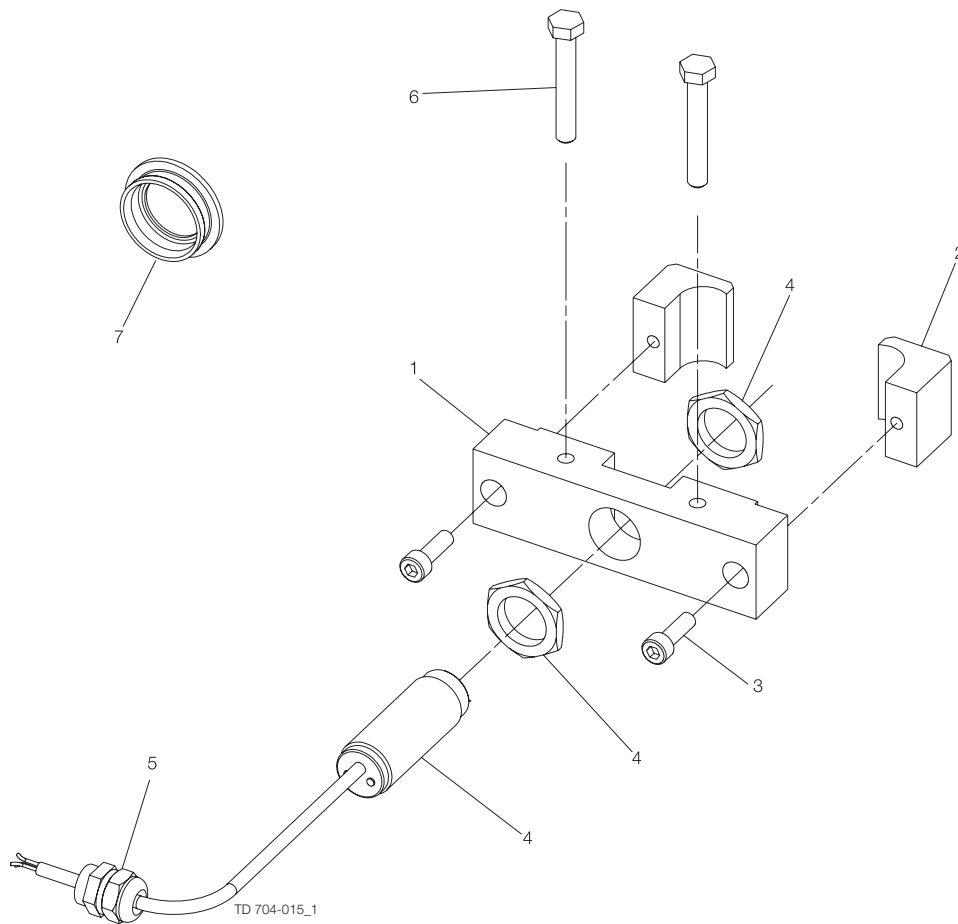
With CIP

Indication for Unique

Pos	Qty	Denomination	38-101.6 mm DN40 - DN150
1	1	Nut	9611994557
2	1	Bracket	9613095503
4	1	Sensor, IFT249, 1m cable	9611995197
	1	Sensor, IFT213, 6m cable	9611995198
	1	Sensor, IFT213, M12 plug	9611995199
5	1	Cable gland	9611993603

TD 900-317

Not manufactured anymore

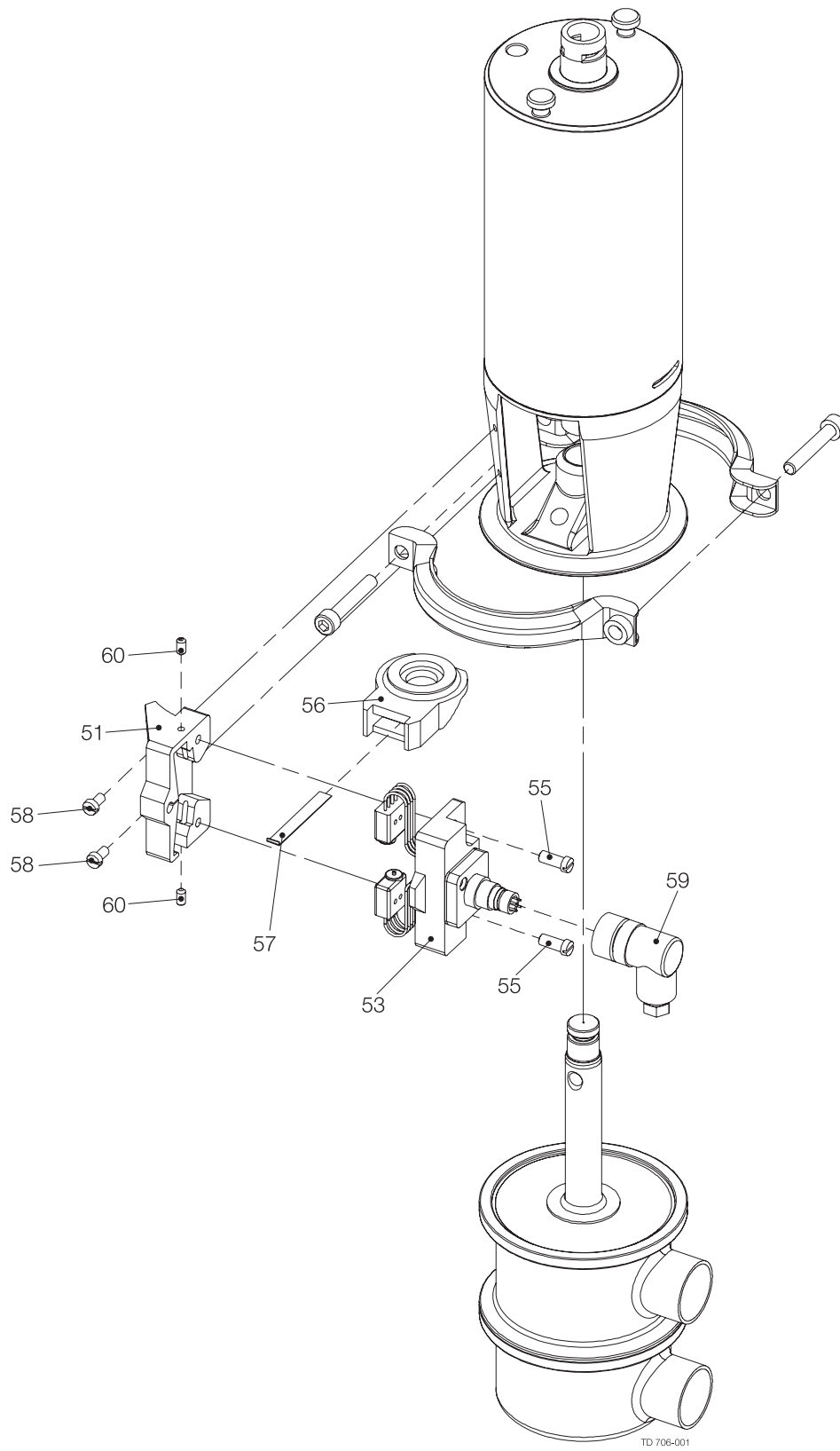


Bracket with sensor unit for SMP-SC

Pos	Qty	Denomination	51-76.1 mm	101.6 mm
			DN 50-65	DN 80-100
	1	Complete bracket with sensor unit, DC		
	1	Complete bracket with sensor unit, DC		
	1	Complete bracket with sensor unit, AC/DC		
	1	Complete bracket with sensor unit, AC/DC		
1	1	Support		
		Please order new complete bracket with sensor unit		
2	2	Claw		
3	2	Screw		
4	1	Sensor, DC		
		Please order new complete bracket with sensor unit		
4	1	Sensor, AC/DC		
		Please order new complete bracket with sensor unit		
5	1	Cable gland	9611993603	9611993603
6	2	Screw		
7	1	Lock ring	9612298301	9612313601

TD 900-201

Not manufactured anymore



Micro Switch Unit for Valve SRC

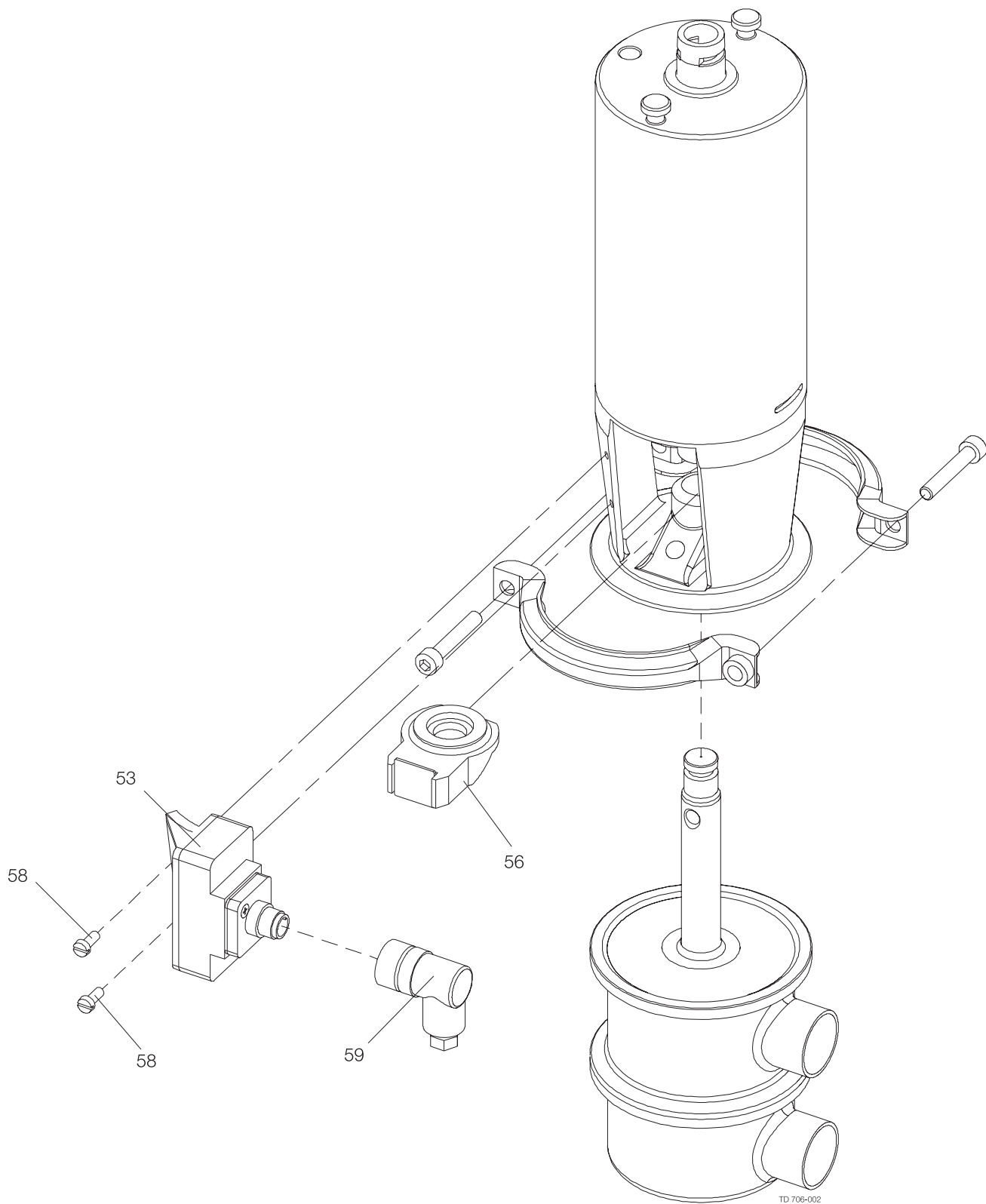
Complete units

Pos	Qty	Denomination	38-63.5 mm	76.1-101.6 mm
			DN40 - DN65	DN80 - DN100
		Micro-switch unit, complete with female plug, (Period 0206-)		
		Micro-switch lower	9612522805	9612522905
		Micro-switch unit, complete with female plug, (Period 0206-)		
		Micro-switch upper and lower	9612522806	9612522906
		Micro-switch unit, complete with female plug, (Period 0206-)		
		Micro-switch upper	9612522804	
		Micro-switch unit, complete, (Period -0206) Micro-switch lower ..		
		Micro-switch unit, complete, (Period -0206) Micro-switch upper		
		and lower		
		Micro-switch unit, complete, (Period -0206) Micro-switch upper ..		
51	1	Holder	3135304151	3135304151
53	1	Switch unit, one (1) micro-switch (Period 0206-)		
	1	Switch unit, two (2) micro-switches (Period 0206-)		
	1	Switch unit, one (1) micro-switch (Period -0206)		
	1	Switch unit, two (2) micro-switches (Period -0206)		
55	2	Screw	72018	72018
56	1	Ring	3135302831	3135302841
57	1	Spring	3135305101	3135305101
58	2	Screw	22112148	22112148
59	1	Female plug (Period 0206-)	9611993245	9611993245
	1	Cable connector, complete for 4.5 - 7 mm cable (Period -0206) ..		
60	2	Adjustment screw	22158192	22158192

Recommended spare parts: Pos.57.

TD 900-078/1

Not manufactured anymore

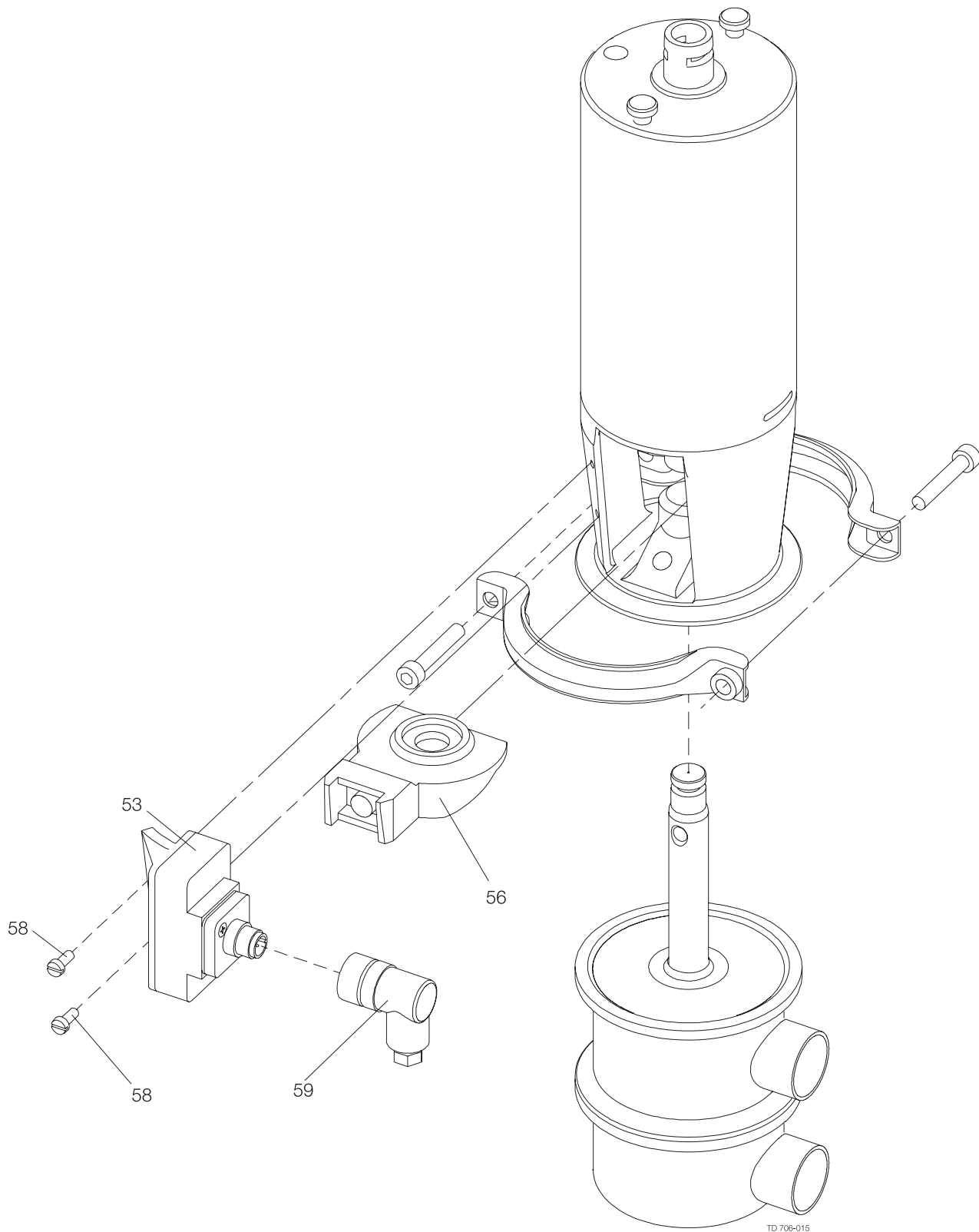


Inductive Proximity Switch Unit for Valve SRC/ARC

Pos	Qty	Denomination	DN25	38-63.5 mm	76.1-101.6 mm
				DN40 - DN65	DN80 - DN100
		Stop/change-over valve SRC switch unit cpl. with female plug (Period 0206-)	9612519009		
		Change-over valve SRC switch unit cpl. with female plug (Period 0206-)		9612519009	9612519008
		Stop valve SRC switch unit cpl. with female plug (Period 0206-) .		9612519007	9612519008
		Stop/change-over valve ARC switch unit cpl. with female plug (Period 0502-)			
		Change-over valve SRC/ARC (Period -0206)			
		Stop valve SRC (Period -0206)			
		Stop valve ARC (Period -0206)			
53	1	Switch unit, complete with 2 switches (Period 0206-). Please order new complete micro-switch unit.	9612518903	9612518903	9612518904
	1	Switch unit, complete with 2 switches (Period -0206). Please order new complete micro-switch unit.			
56	1	Ring, (grey) Stop valve/change-over valve SRC			3135306611
	1	Ring, (black) Stop valve SRC		3135306602	
	1	Ring, (beige) Change-over valve SRC		3135306603	
	1	Ring, (beige) Stop valve/change-over valve SRC	3135306603		
	1	Ring, (beige) Stop valve/change-over valve ARC		3135306604	3135306613
58	2	Screw	22112106	22112106	22112106
59	1	Female plug (Period 0206-)	9611993245	9611993245	9611993245
	1	Cable connector, complete for 4.5 - 7 mm cable (Period -0206) ..			

TD 900-080/2

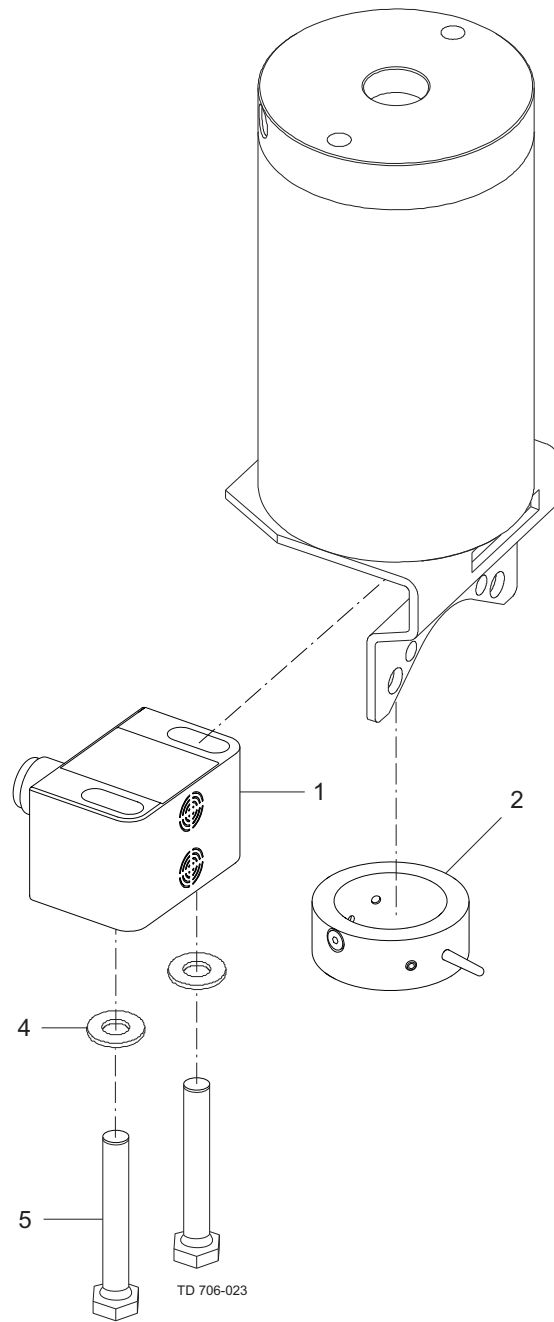
Not manufactured anymore



Hall Proximity Switch Unit for Valve SRC/ARC

Pos	Qty	Denomination	38-63.5 mm	76.1-101.6 mm
			DN40 - DN65	DN80 - DN100
		Stop/change-over valve SRC/ARC switch unit cpl. with female plug PNP 5-24 VDC (Green)	9612520507	9612520510
		Stop/change-over valve SRC/ARC switch unit cpl. with female plug PNP 20-30 VDC (Grey)	9612541907	9612541910
53	1	Switch unit, PNP 5-24 VDC (Green). Please order new complete micro-switch unit.		
	1	Switch unit, NPN 5-24 VDC (Yellow). Please order new complete micro-switch unit.		
	1	Switch unit, PNP 20-30 VDC (Grey). Please order new complete micro-switch unit.		
56	1	Ring	9612520401	9612522401
58	2	Screw	22112148	22112106
59	1	Female plug	9611993245	9611993245

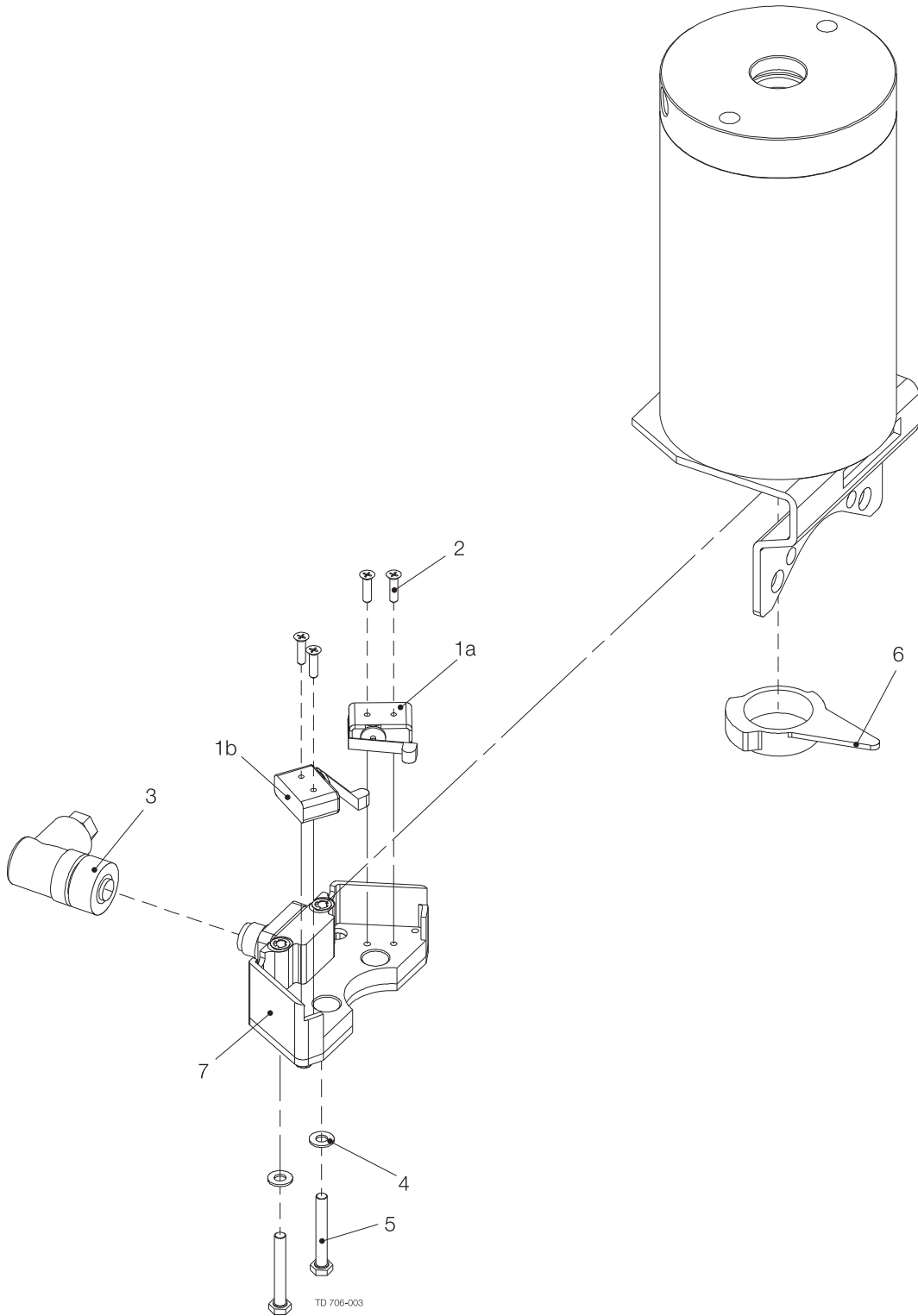
TD 900-202



Indication for Air Actuator type LKLA ø85

Pos	Qty	Denomination	AL pin PNP	Std. pin PNP	AL pin NPN
		Complete unit without plug	9611995749	9611995750	9611995751
1	1	Indication unit			
2	1	Puck			
4	4	Washer			
5	2	Hexagon head screw			

TD 900-693

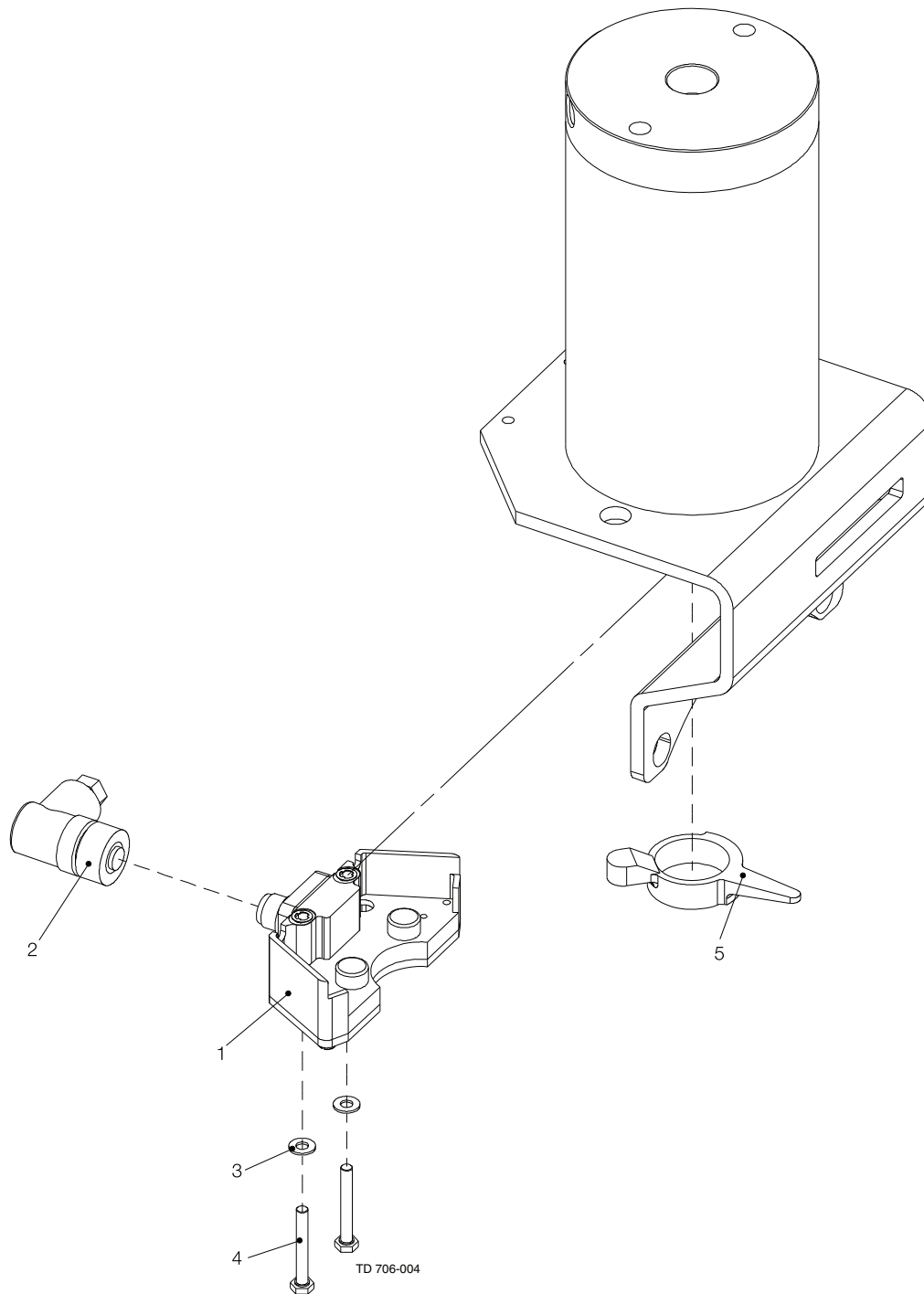


Micro-Switch Unit for Air-Actuator LKLA

Pos	Qty	Denomination	25-101.6 mm DN25 - DN100
		Complete micro-switch unit, with female plug (Period 0206-)	9612510702
		Complete micro-switch unit , (Period -0206)	9611416710
1a	1	Arm for micro-switch	9611992542
1b	1	Arm for micro-switch	9611990824
2	4	Screw, (Period 0206-)	9611991177
	2	Screw, (Period -0206)	9611990230
3	1	Female plug, (Period 0206-)	9611993245
	1	Female plug, (Period -0206)	
4	2	Washer	9611990800
5	2	Hexagon screw	9611991239
6	1	Activation ring with screw (Not included in the complete micro-switch unit)	9611416690
7	1	Housing Please order new complete micro-switch unit	

TD 900-081/1

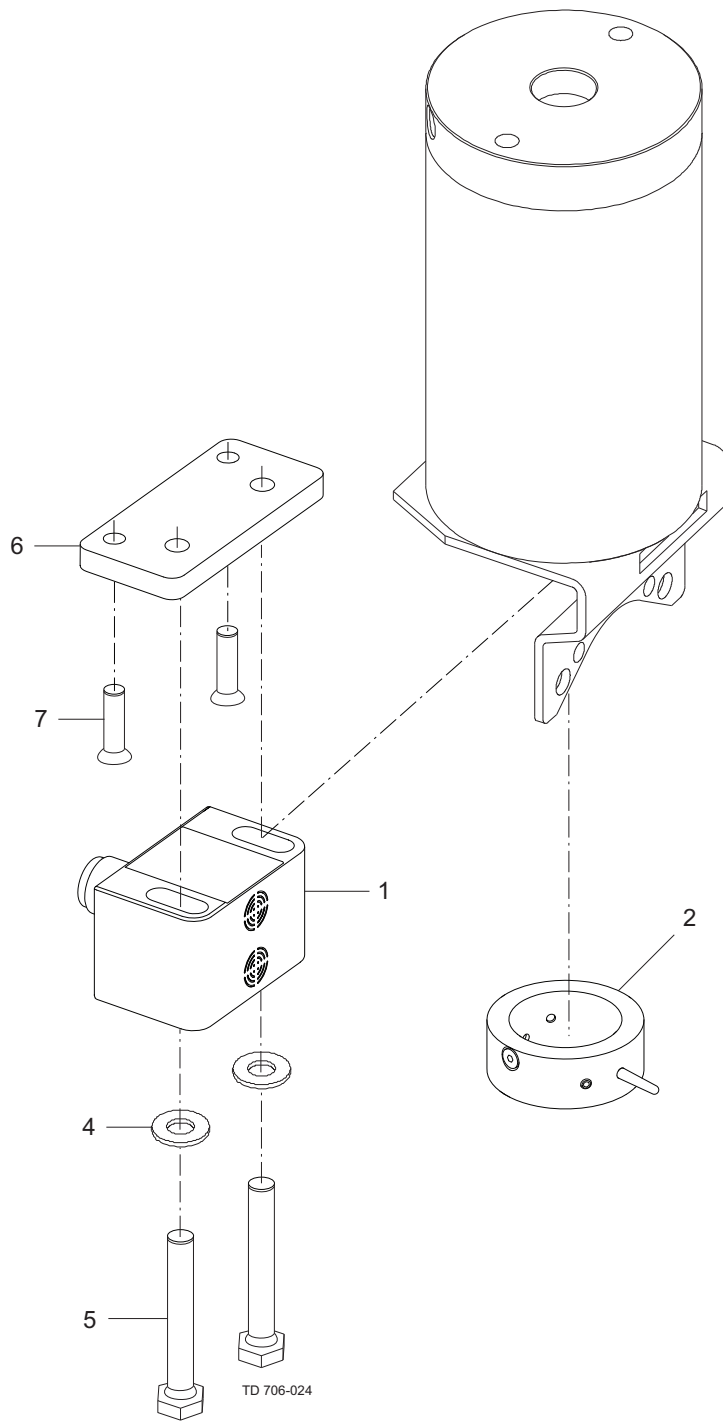
Not manufactured anymore



Hall Proximity Switch Unit

		25-101.6 mm	
Pos	Qty Denomination	DN 25-DN 100	DN 150
	Complete, Hall-sensor, NPN 5-24 VDC with female plug (yellow) (Period 0206 - 1608)		
	Complete, Hall-sensor, PNP 5-24 VDC with female plug (green) (Period 0206 - 1608)		
	Complete, Hall-sensor, PNP 20-30 VDC with female plug (grey) (Period 0206 - 1608)		
	Complete, Hall-sensor, NPN 5-24 VDC (yellow) (Period -0206) ...		
	Complete, Hall-sensor, PNP 5-24 VDC (green) (Period -0206)		
	Complete, Hall-sensor, PNP 20-30 VDC (grey) (Period -0206)		
1	1 Housing, NPN 5-24 VDC (yellow)		
	1 Housing, PNP 5-24 VDC (green)		
	1 Housing, PNP 20-30 VDC (grey)		
	Please order new complete Hall Proximity-switch Unit		
2	1 Female plug, (Period 0206-)		
	1 Female plug, (Period -0206)	9611993245	9611993245
3	2 Washer	9611990800	9611990800
4	2 Hexagon screw	9611991239	9611991239
5	1 Activation ring with magnet	9611416870	9611416660

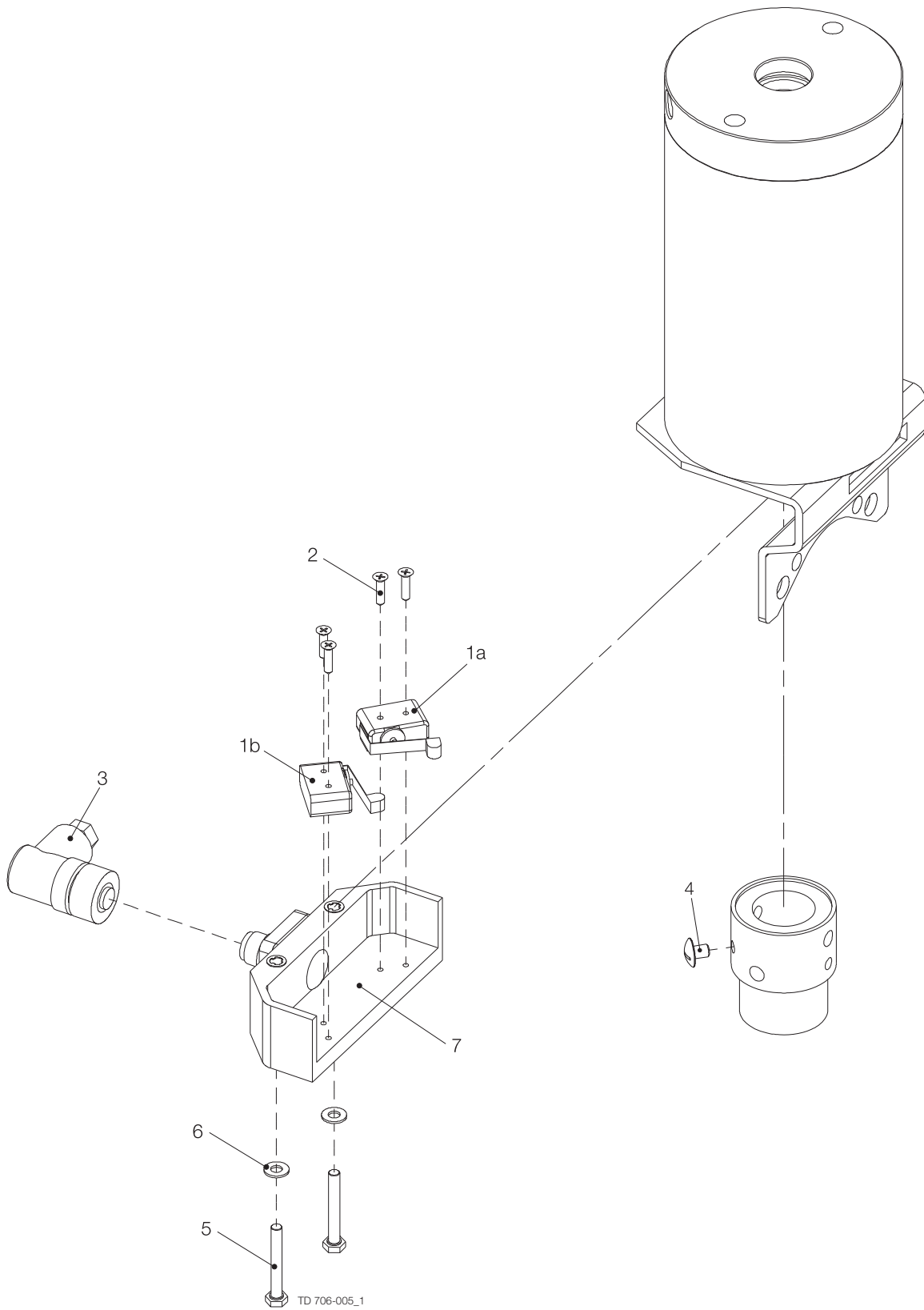
TD 900-083/1



Indication for Air Actuator type LKLA ø133

Pos	Qty	Denomination	AL pin PNP	Std. pin PNP
		Complete unit without plug	9611995747	9611995748
1	1	Indication unit		
2	1	Puck		
4	2	Washer		
5	2	Hexagon head screw		
6	1	Fixing plate		
7	2	Socket head screw		

TD 900-694

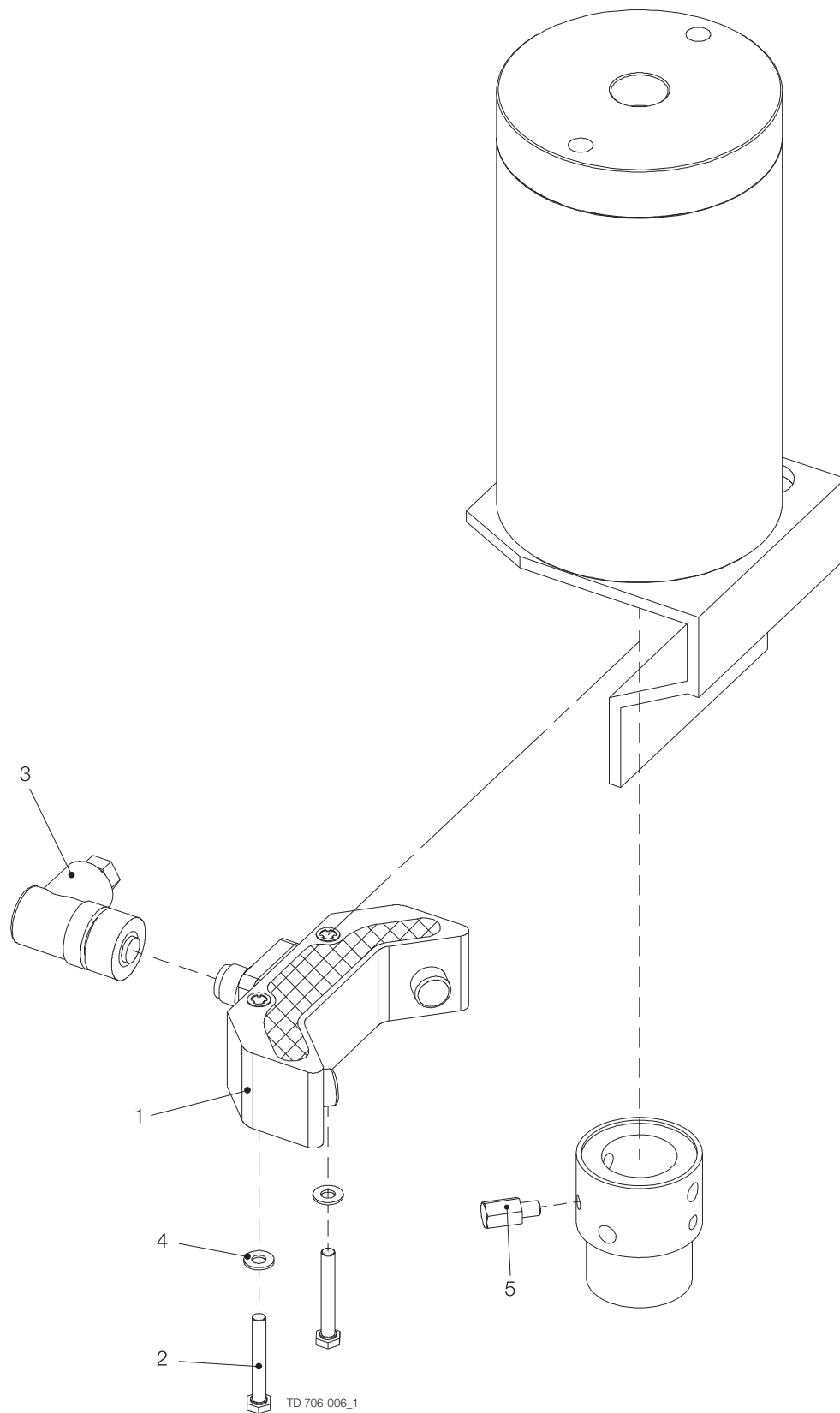


Micro-Switch Unit for Air Actuator LKLA ø133

Pos	Qty	Denomination	101.6 mm DN100-150
		Complete micro-switch unit, with female plug (Period 0206-)	9612510902
		Complete micro-switch unit, (Period -0206)	
1a	1	Arm for micro-switch	9611992542
1b	1	Arm for micro-switch	9611990824
2	4	Screw	9611990230
3	1	Female plug, (Period 0206-)	9611993245
	1	Female plug, (Period -0206)	
4	1	Indication screw	9612286001
5	2	Screw	9611991239
6	2	Washer	9611990800
7	1	Housing	
		Please order new complete micro-switch unit	

TD 900-084/1

Not manufactured anymore

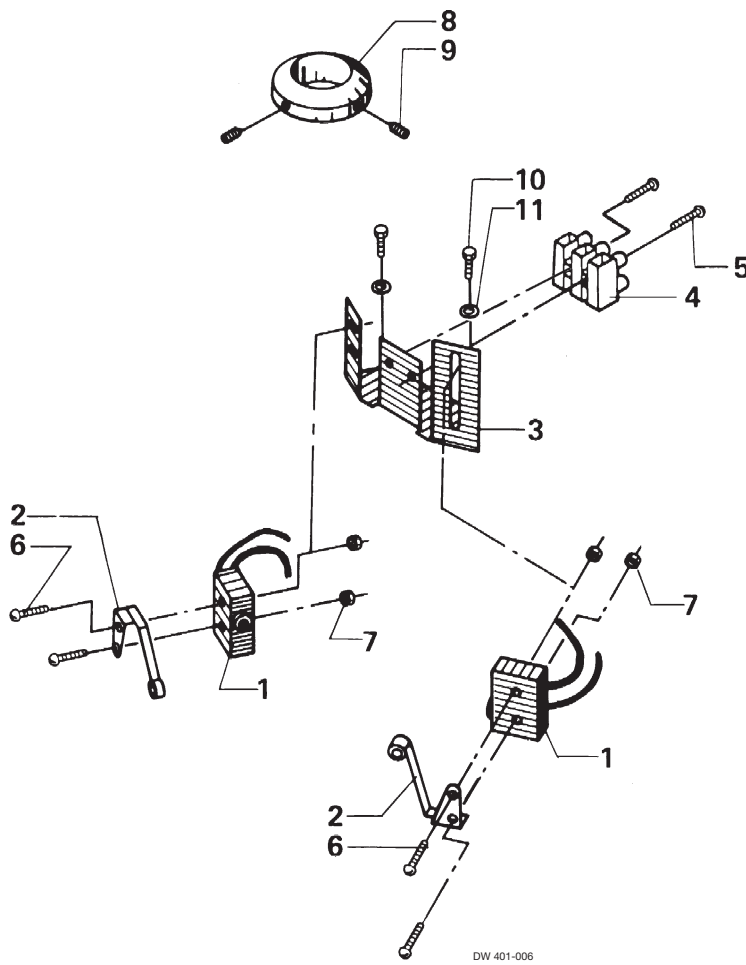


Proximity Switches for Air Actuator LKLA ø133

Pos	Qty	Denomination	101.6 mm DN100-150 w. inductive sensors w. Hall Sensors (Period -0206)
		Complete proximity-switch unit, NPN 5-24 VDC with female plug (yellow) (Period 0206 - 1608)	
		Complete proximity-switch unit, PNP 5-24 VDC with female plug (green) (Period 0206 - 1608)	
		Complete proximity-switch unit, PNP 20-30 VDC with female plug (grey) (Period 0206 - 1608)	
		Complete proximity-switch unit, NPN 5-24 VDC with female plug (yellow) (Period -0206)	
		Complete proximity-switch unit, PNP 5-24 VDC with female plug (green) (Period -0206)	
		Complete proximity-switch unit, PNP 20-30 VDC with female plug (grey) (Period -0206)	
		Complete proximity-switch unit, inductive sensors (Period -0206)	
1	1	Housing, NPN 5-24 VDC (yellow)	
	1	Housing, PNP 5-24 VDC (green)	
	1	Housing, PNP 20-30 VDC (grey)	
		Please order new complete proximity-switch unit	
2	2	Screw	9611991239 9611991239
3	1	Female plug, (Period 0206-)	
	1	Female plug, (Period -0206)	9611993245
4	2	Washer	9611990800 9611990800
5	1	Screw	9612285501 9612039201

TD 900-085/1

Not manufactured anymore

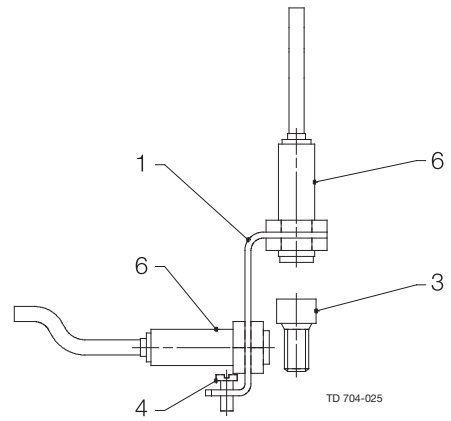
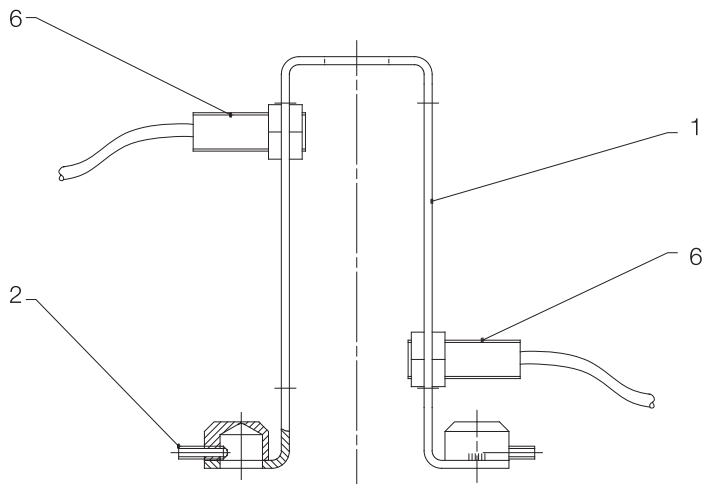


Micro-Switch Unit for Valve LKAB

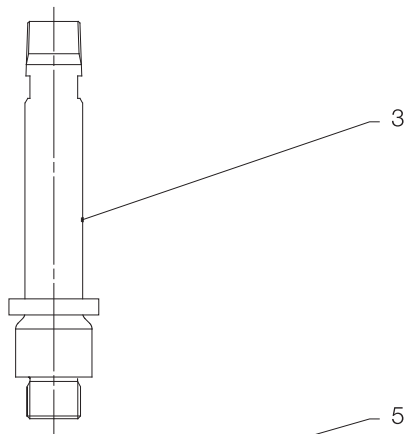
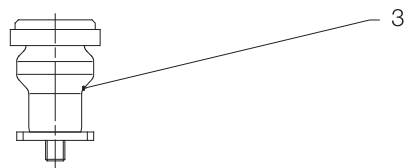
Pos	Qty	Denomination	9611400874	9611400875
			38-51 mm 63.5 mm	76.1 mm 101.6 mm
		Micro-switch complete included pos. 1-7	9611970003	9611970003
1	2	Micro-switch	9611991190	9611991190
2	2	Arm for micro-switch	9611990824	9611990824
3	1	Retaining plate	9611402579	9611402579
4	3	Terminal strip	9611990817	9611990817
5	2	Screw	9611990383	9611990383
6	4	Screw	9611990230	9611990230
7	4	Nut	9611990492	9611990492
8	1	Activation ring	9611402580	
9	2	Screw	9611990300	9611990300
10	2	Screw	9611990218	9611990218
11	1	Washer	9611990710	9611990710

TD 900-086/1

Not manufactured anymore



TD 704-025



TD 704-026_1

Bracket System Complete LKAP, SMP-EC, SRC, SRC-LS, ARC, SMP-BC, SMP-SC, LKLA-T, ARC-SB, SMP-BCA, SMP-TO, Koltek MH, SBV and Unique

Pos	Qty	Denomination	LKAP	SMP-EC	SRC, SRC-LS, ARC, SMP-BC, SMP-SC, LKLA-T, ARC-SB, SMP-BCA, SMP-TO, Koltek MH, SBV and Unique Mixproof	Unique SSV-LS Unique SSV-Y Unique SSV with high pressure actuator
1	1	Bracket, complete	9612498901	9612411201	9612411202	9612411203
	1	Bracket	9612492601	9612411301	9612411301	9612411302
2	2	Pointed screw		9611991756	9611991756	9611991756
3	1	Indication Pin	9611992633	9612085102	9612411701	9612411701
4	2	Screw	9611990337			
5	1	O-ring		22340380		
6	1	Sensor, NF5003 Ex. protection, 2m cable	9611995195	9611995195	9611995195	9611995195
	1	Sensor, NF501A Ex. protection, M12 plug	9611995196	9611995196	9611995196	9611995196
	1	Sensor, IFM IF 5718, 2m cable	9611992900	9611992900	9611992900	9611992900
	1	Sensor, IFT 249, 1m cable	9611995197	9611995197	9611995197	9611995197
	1	Sensor, IFT 213, 6m cable	9611995198	9611995198	9611995198	9611995198
	1	Sensor, IFT 213, M12 plug	9611995199	9611995199	9611995199	9611995199

TD 900-087/4

How to contact Alfa Laval

Contact details for all countries are continually updated on our website.

Please visit www.alfalaval.com to access the information directly.

© Alfa Laval Corporate AB

This document and its contents is owned by Alfa Laval Corporate AB and protected by laws governing intellectual property and thereto related rights. It is the responsibility of the user of this document to comply with all applicable intellectual property laws. Without limiting any rights related to this document, no part of this document may be copied, reproduced or transmitted in any form or by any means (electronic, mechanical, photocopying, recording, or otherwise), or for any purpose, without the expressed permission of Alfa Laval Corporate AB. Alfa Laval Corporate AB will enforce its rights related to this document to the fullest extent of the law, including the seeking of criminal prosecution.