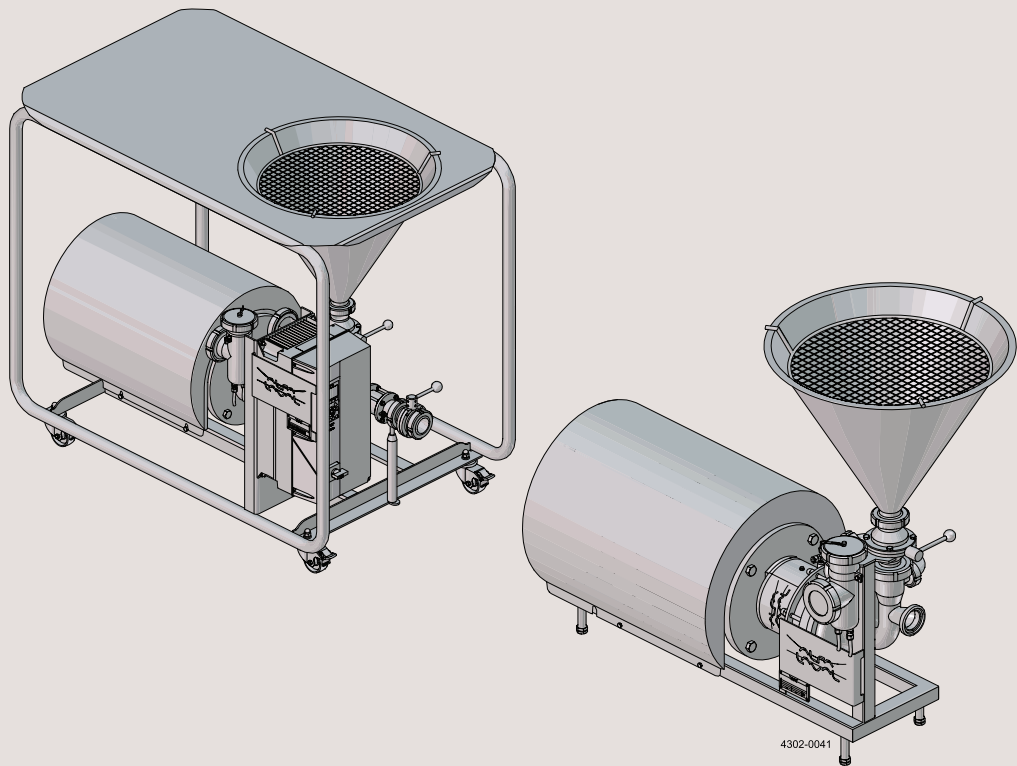




## Spare Parts

Alfa Laval Hybrid Powder Mixer HPM M15 & HPM S15



100000658-EN10 2023-07

Original manual



## Table of contents

---

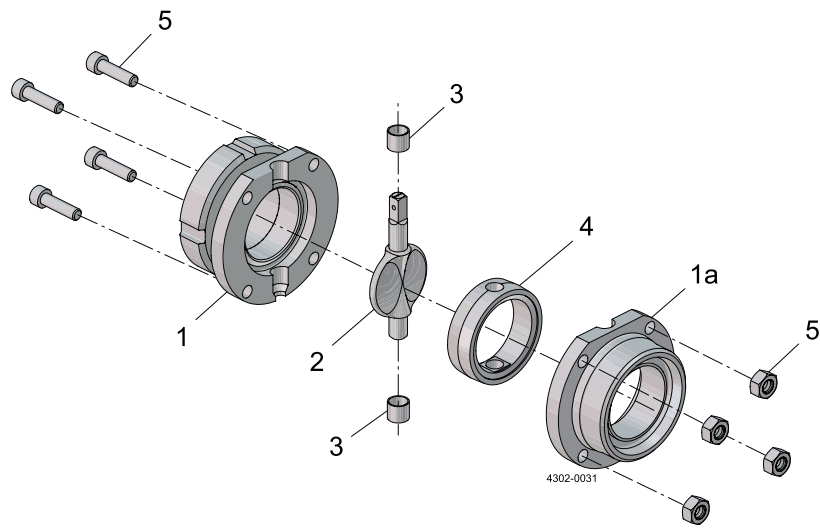
*The information herein is correct at the time of issue but may be subject to change without prior notice*

1. HPM-M15 – Hybrid Powder Mixer, complete .....	4
2. HPM-M15 – Butterfly Valve .....	6
3. HPM-M15 – In-line Sight Glass .....	8
4. HPM-S15 – Hybrid Powder Mixer, complete .....	10
5. HPM-M15 & HPM-S15 – Flush Tank .....	12
6. HPM-M15 & HPM-S15 – C-Ball Valve .....	14
7. HPM-M15 & HPM-S15 – Injector .....	16
8. HPM-M15 & HPM-S15 – High Shear and Pump Unit .....	18



HPM-M15 – Hybrid Powder Mixer, complete

Pos	Qty	Denomination	Item no.	Material
1	1	Shroud .....	9612139005	
2	4	Self Locking Screw .....	9611993241	
3	4	Spacer .....	3143803902	
4	1	Pump Unit .....	8010008791	
5	4	Screw .....	9611992162	
6	16	Washer .....	9611990706	
7	1	Frame .....	On request	
8	8	Washer .....	9611990676	
9	8	Nut .....	22185115	
10	1	Sieve .....	8010009597	
11	1	Funnel w. Plate .....	On request	
12	4	Gasket .....	9611900259	EPDM
13	1	C-Ball Valve .....	8010008793	
15	1	O-ring .....	9612906208	EPDM
16	1	Injector .....	8010008792	
17	1	Bypass .....	8010008794	
18	2	Gasket .....	9611900256	EPDM
19	1	Flush Tank .....	8010008795	
20	1m	Tube .....	8010014179	
21	4	Insert .....	8010019969	
22	2	Sleeve .....	8010024337	
23	2	Stud Elbow .....	8010018494	
24	1	End Cap .....	8010014175	
25	1	Name Plate .....		
26	4	Blind Rivet .....		
27	1	Sight Glass .....	9611292672	
28	1	Butterfly Valve .....	9612075325	
29	1	Handle .....	9612045001	
30	1	Liner .....	9611331098	
31	1	Nut .....	3131800144	
32	1	Frequency Converter .....	9614232401	
33	4	Nut .....	9611990360	
34	4	Swivel Castor .....	8010014176	
35	4	Screw .....	9611991834	



Pos	Qty	Denomination	Item no.	Material
1	<input type="checkbox"/>	1 Valve body half, nut/liner .....		
1a	<input type="checkbox"/>	1 Valve body half, male part .....		
2		1 Disc .....	9612073904	AISI 316L
3	◆●	2 Bush .....	9611411890	
4	◆	1 Seal ring .....	9612070301	EPDM
	●	1 Seal ring .....	9612072101	FPM
5		4 Screw and nut set .....	9611417350	

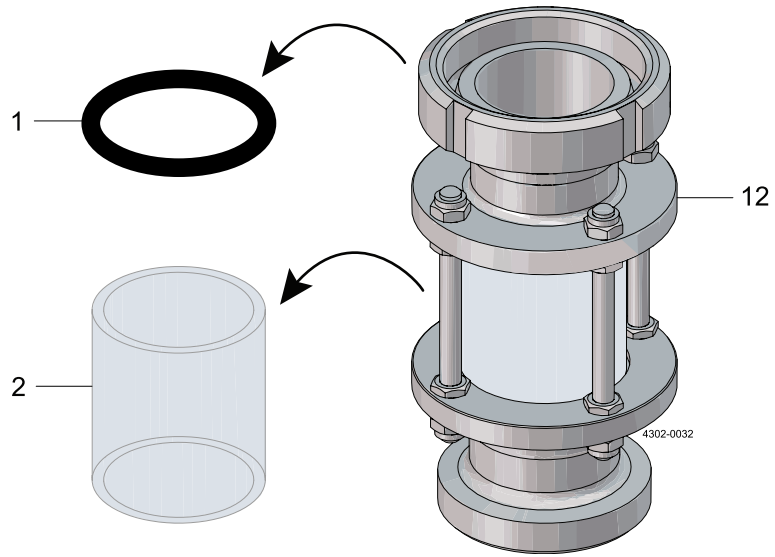
**Service Kits for product wetted parts**

Service Kit, EPDM .....	9611923078
Service Kit, FPM .....	9611923094

Parts marked with ◆ are included in the Service Kit, EPDM: 9611923078

Parts marked with ● are included in the Service Kit, FPM: 9611923094

Configuration according to delivery note/order.

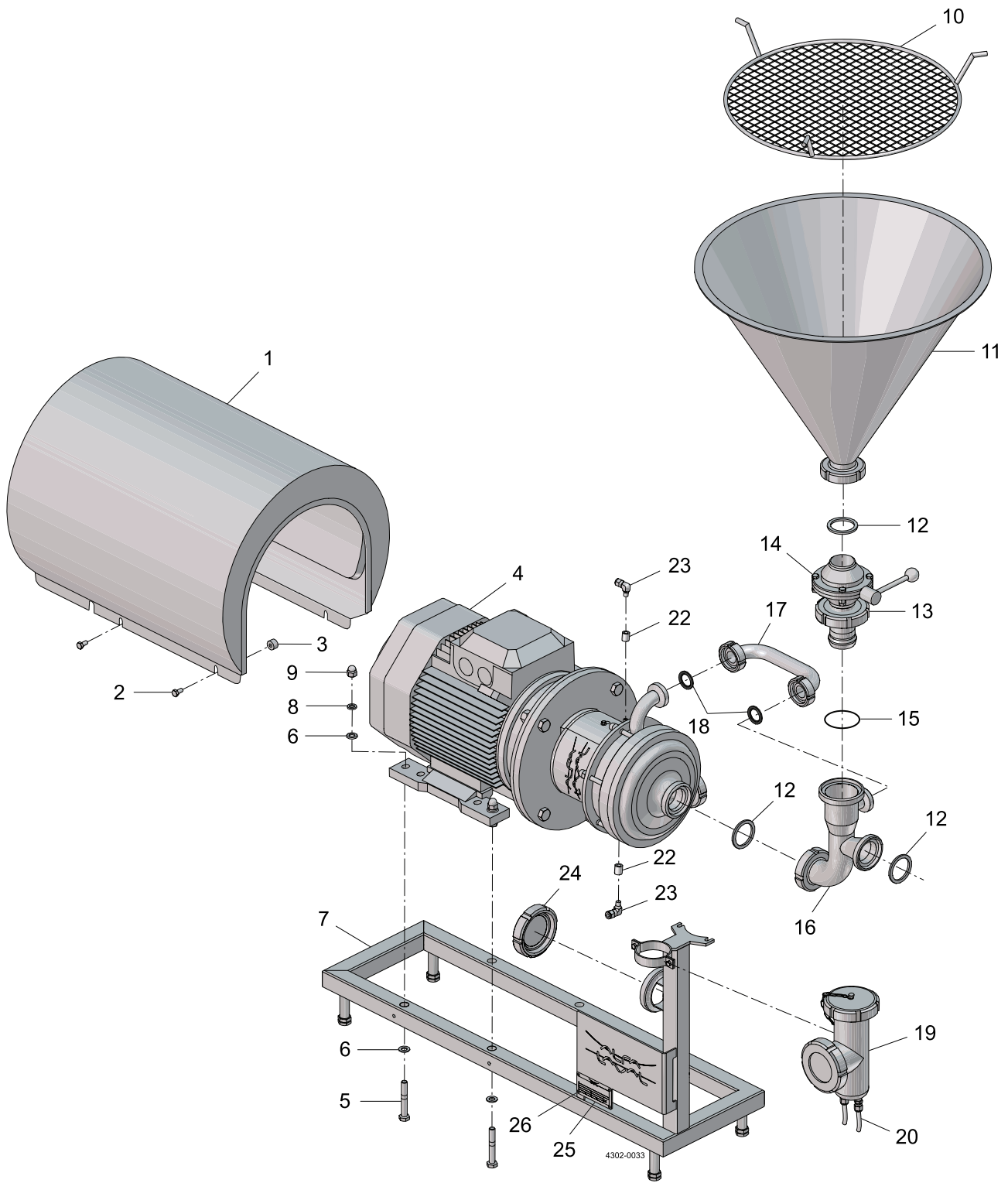


# HPM-M15 - In-line Sight Glass

---

Pos		Qty	Denomination	Item no.	Material
1	<input type="checkbox"/>	1	Seal ring .....	9611995993	EPDM
	<input type="checkbox"/>	1	Seal ring .....	9611995994	FPM
2		1	Glas tube, DN50 .....	9611991438	
12		1	Sight glass, DIN NW50 .....	9611292672	

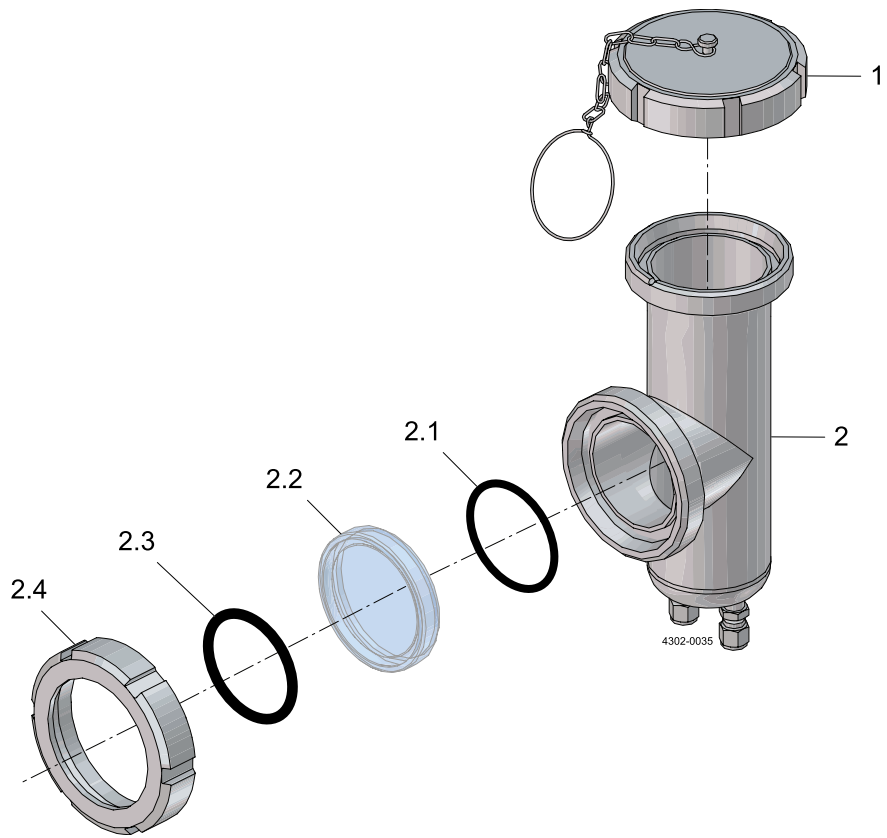
Configuration according to delivery note/order.



# HPM-S15 – Hybrid Powder Mixer, complete

Pos	Qty	Denomination	Item no.	Material
1	1	Shroud .....	9612139005	
2	4	Self Locking Screw .....	9611993241	
3	4	Spacer .....	3143803902	
4	1	Pump Unit .....	8010008791	
5	4	Bolt .....	8010024341	
6	8	Washer .....	9611990706	
7	1	Frame .....	8010014163	
8	4	Washer .....	9611990676	
9	4	Nut .....	22185115	
10	1	Sieve .....	8010009597	
11	1	Funnel .....	8010008796	
12	3	Gasket .....	9611900259	EPDM
13	1	C-Ball Valve .....	8010008793	
14	2	Screw .....	9611993606	
15	1	O-ring .....	9612906208	EPDM
16	1	Injector .....	8010008792	
17	1	Bypass .....	8010008794	
18	2	Gasket .....	9611900256	EPDM
19	1	Flush Tank .....	8010008795	
20	1m	Tube .....	8010014179	
21	4	Insert .....	8010019969	
22	2	Sleeve .....	8010024337	
23	2	Stud Elbow .....	8010018494	
24	1	End Cap .....	8010014175	
25	1	Name Plate .....		
26	4	Blind Rivet .....		

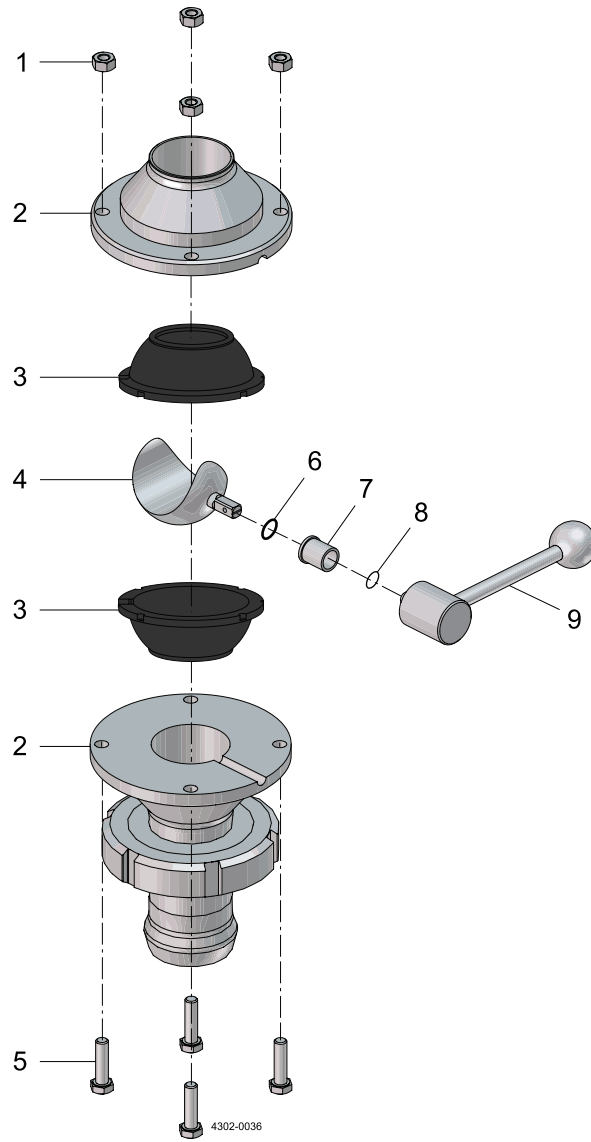
Configuration according to delivery note/order.



# HPM-M15 & HPM-S15 - Flush Tank

---

<b>Pos</b>	<b>Qty</b>	<b>Denomination</b>	<b>Item no.</b>	<b>Material</b>
1	1	End Cap .....	9611291481	
2	1	Flush Tank House .....		
2.1	1	Seal .....	9611991273	EPDM
2.2	1	Sight glass .....	9611993744	
2.3	1	Seal .....	9611993741	PTFE
2.4	1	Nut, union .....		



Pos	Qty	Denomination	Item no.	Material
1	4	Nut .....		
2	-	Housing complete .....		
3	♦ 2	Seal .....		FPM
4	1	C-Ball w. shaft .....	9614451801	
5	4	Bolt .....		
6	♦ 1	O-ring .....		
7	♦ 1	Guide sleeve .....		
8	♦ 1	Snap ring .....		
9	1	Handle for C-Ball Valve .....	9614463701	

**Service Kits & Service Valve**

Service Kit FPM <sup>1</sup> .....	9614451701
Service Kit PTFE <sup>2</sup> .....	8010000839

Service Valve, C-Ball Valve complete for Hybrid Powder Mixer HPM S15 and HPM M15 <sup>3</sup> .....	8010004893
--	------------

Parts marked with ♦ are included in the Service Kit for C-Ball Valve: 9614451701

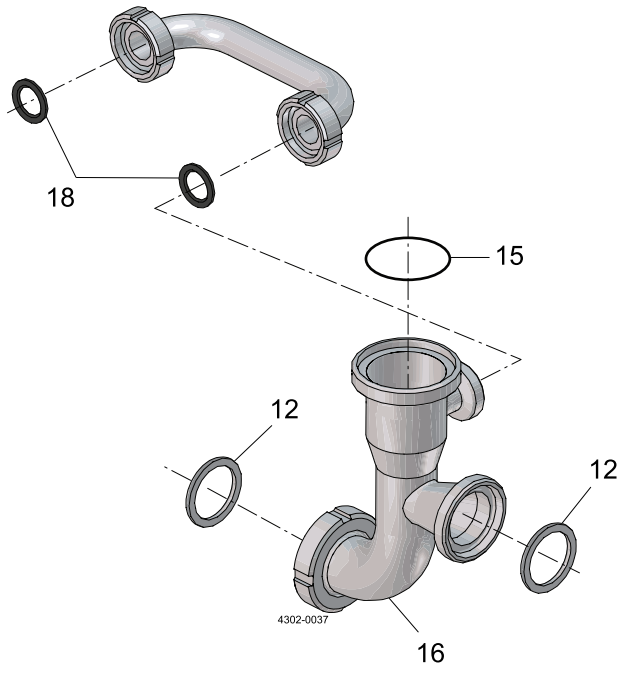
<sup>1</sup> Service Kit FPM is the Standard Service Kit for Hybrid Powder Mixers and what is recommended.

<sup>2</sup> Service Kit PTFE can be used for special applications where the Service Kit FPM does not work properly.

<sup>3</sup> Service Valve to replace C-Ball Valve in use while servicing it.

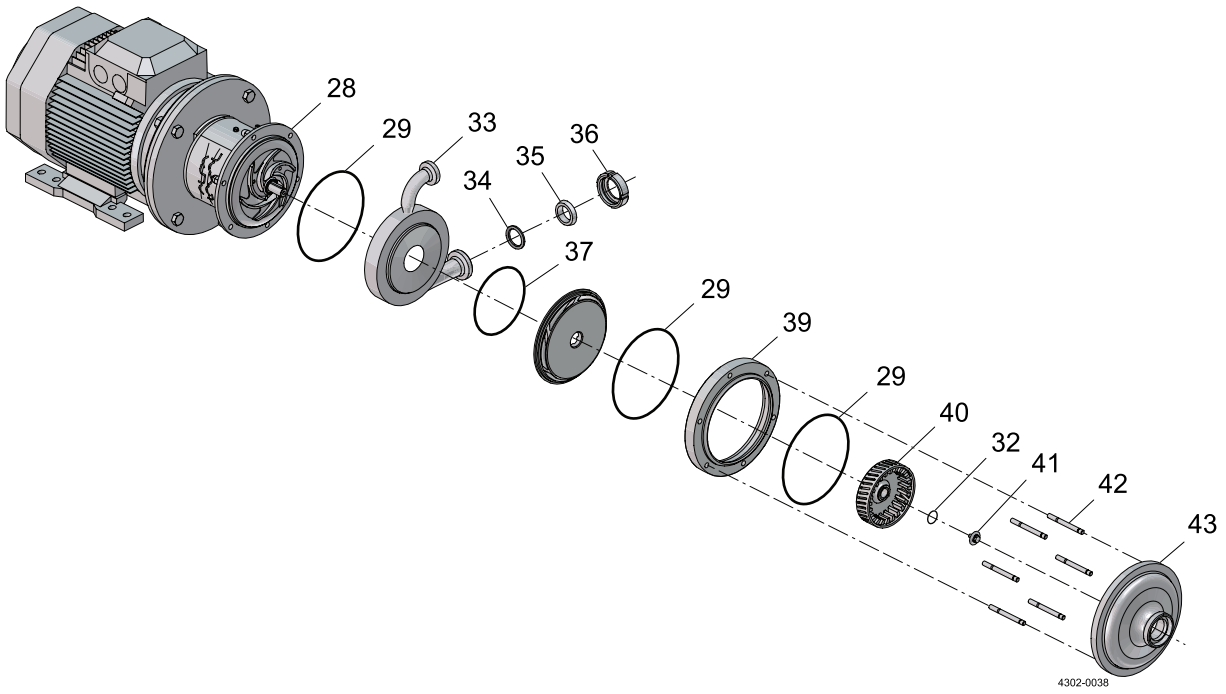
**NOTE**

From and with serial number 50083 the Hybrid Powder Mixers were born with FPM Sealing. Before that it was PTFE sealing.



Pos	Qty	Denomination	Item no.	Material
12	<input type="checkbox"/>	2 Gasket .....	9611900259	EPDM
	<input type="checkbox"/>	2 Gasket .....	9611995991	FPM
15	<input type="checkbox"/>	1 O-ring .....	9612906208	EPDM
	<input type="checkbox"/>	1 O-ring .....	9612906218	FPM
16		1 Injector .....	8010008792	
18	<input type="checkbox"/>	2 Gasket .....	9611900256	EPDM
	<input type="checkbox"/>	2 Gasket .....	9611995990	FPM

Configuration according to delivery note/order.



HPM-M15 & HPM-S15 – High Shear and Pump Unit

Pos	Qty	Denomination	Item no.	Material
28	1	Backplate .....	on request*	
29	3	O-ring .....	9611992744	EPDM
	3	O-ring .....	9611992746	FPM
32	2	O-ring .....	9611992750	
33	1	Pump Housing .....	On request*	
34	1	Gasket .....	9611900258	EPDM
35	1	Liner .....	9611331097	
36	1	Nut .....	3131800143	
37	1	O-ring .....	9611992747	EPDM
39	1	Flange .....	On request*	
40	1	Rotor .....	On request*	
41	1	Impeller Screw .....	9612362701	
42	6	Bolt .....	8010009115	
43	1	Pump Cover .....	On request*	

\*Surface specific HPM or HPM (US)

Please see parts list for LKH-112 in separate pump manual.

The parts above are either additional, revised or replaced by components of the LKH-112 pump except for the service Kits.

**Service Kits**

Service Kit FPM LKH-112 SIC/SIC flushed shaft seal .....	9611922660 <sup>1)</sup>
Service Kit EPDM LKH-112 SIC/SIC flushed shaft seal .....	9611922658 <sup>2)</sup>

Parts marked with ✧ are included in the Service Kit, FPM: 9611922660

<sup>1)</sup> Please order 1 pcs item no. 9611992746 (pos. 29) extra for this Kit

Parts marked with ● are included in the Service Kit, EPDM: 9611922658

<sup>2)</sup> Please order 1 pcs item no. 9611992744 (pos. 29) extra for this Kit

Configuration according to delivery note/order.

**How to contact Alfa Laval**

Contact details for all countries are continually updated on our website.

Please visit [www.alfalaval.com](http://www.alfalaval.com) to access the information directly.

© Alfa Laval Corporate AB

This document and its contents is owned by Alfa Laval Corporate AB and protected by laws governing intellectual property and thereto related rights. It is the responsibility of the user of this document to comply with all applicable intellectual property laws. Without limiting any rights related to this document, no part of this document may be copied, reproduced or transmitted in any form or by any means (electronic, mechanical, photocopying, recording, or otherwise), or for any purpose, without the expressed permission of Alfa Laval Corporate AB. Alfa Laval Corporate AB will enforce its rights related to this document to the fullest extent of the law, including the seeking of criminal prosecution.