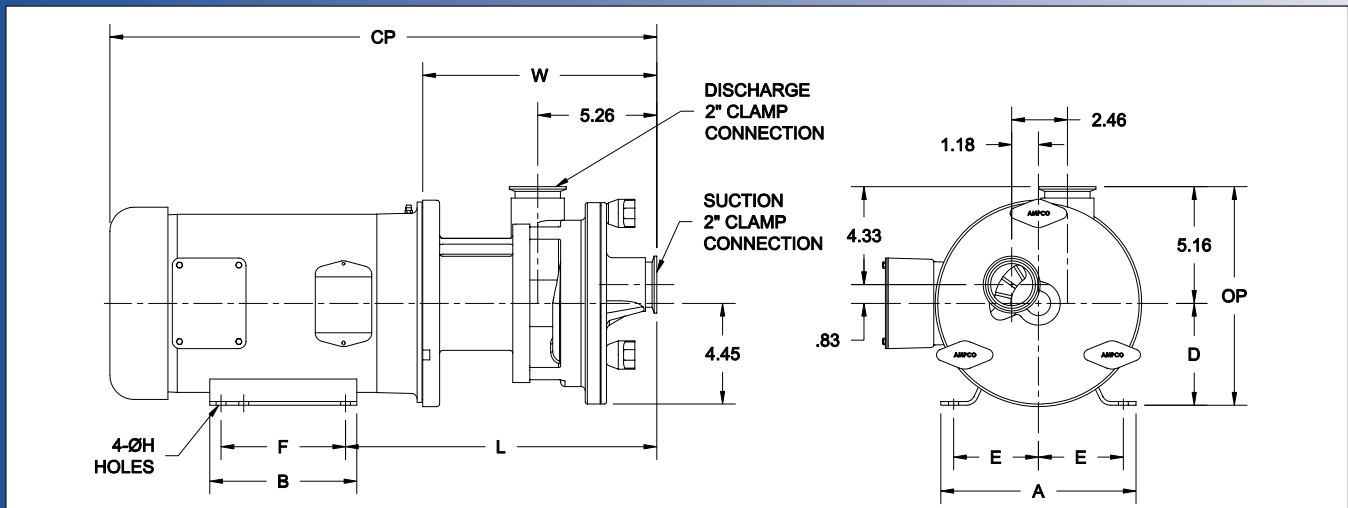
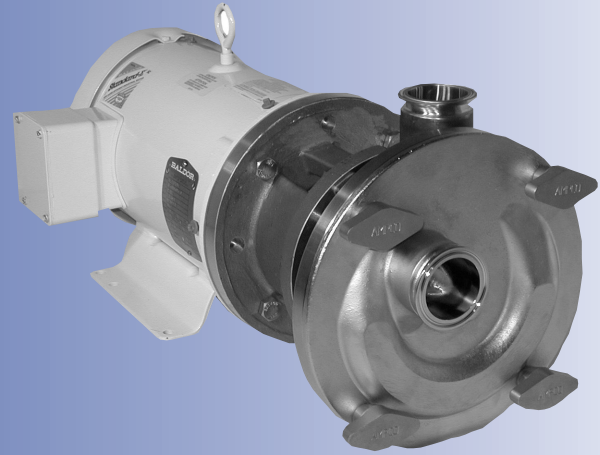


# Ampco Centrifugal Pumps

## DATA SHEET

### MODEL SP-210 2X2



TEFC MOTOR			DIMENSIONS IN INCHES (For Reference Only)										APPROX WEIGHT (LBS)
HP	RPM	FRAME	A (typ)	B (typ)	D	E	F	ØH	L	W	CP	OP	
3	1750	182TC	8-5/8	6-1/2	4-1/2	3-3/4	4-1/2	13/32	13.66	10.28	23.95	9.66	115
5	1750	184TC	8-5/8	6-1/2	4-1/2	3-3/4	5-1/2	13/32	13.66	10.28	23.95	9.66	125

## MATERIAL SPECIFICATIONS

PART NAME	STAINLESS STEEL
Casing, Cover & Impeller	316L Stainless
Stub Shaft	316L Stainless
Adapter	304 Stainless



**CSI**

417.831.1411  
csidesigns.com

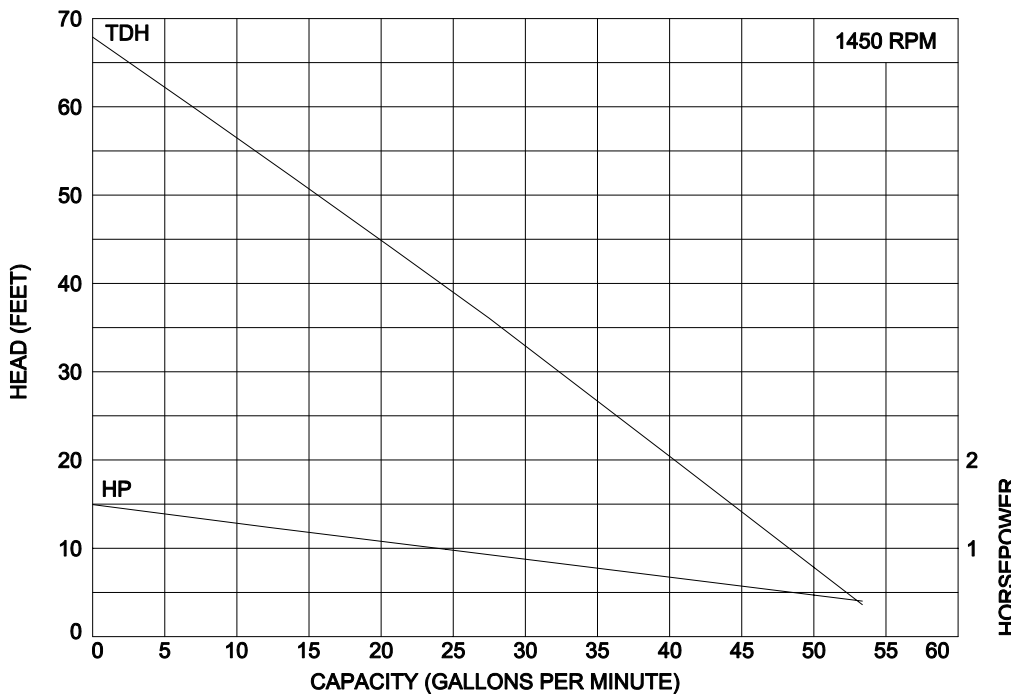
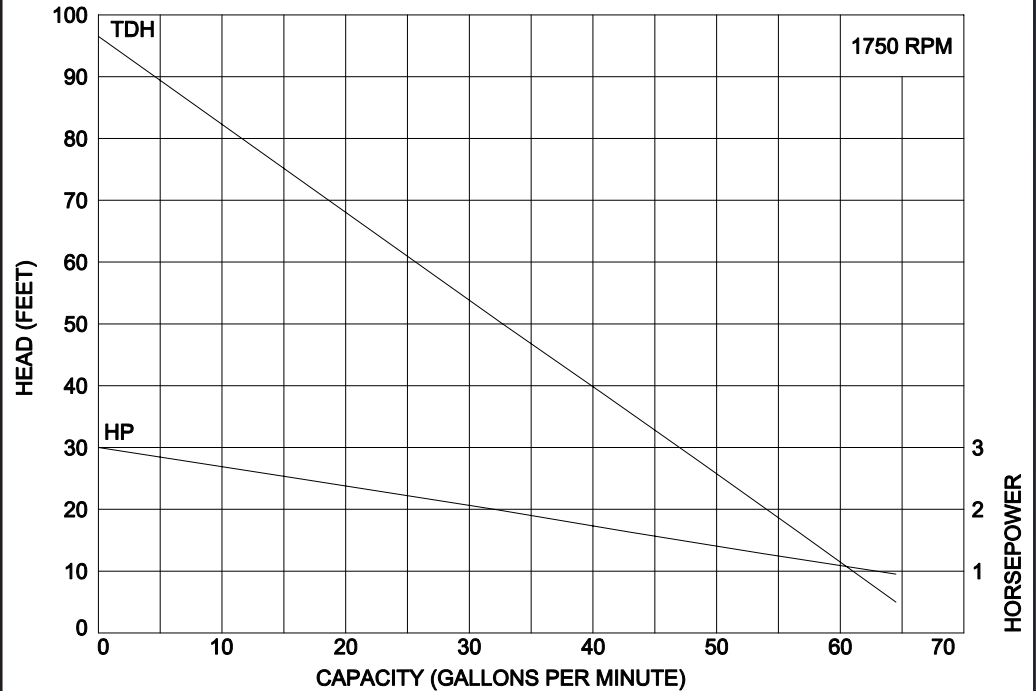


MODEL SP-210 2X2

# Ampco Centrifugal Pumps

Curves show approximate characteristics based on clear 68° water. Rated point is guaranteed.

SP-Series pumps have standard stainless steel adapters and silicon carbide vs. carbon seals.



SP pumps are in conformance with 3A sanitary standards for centrifugal and positive rotary pumps for milk and milk products, Number 02-10.

SP-Series pumps have a standard 32RA (150 grit) finish, on all product contact surfaces.

## Ampco Pumps Company



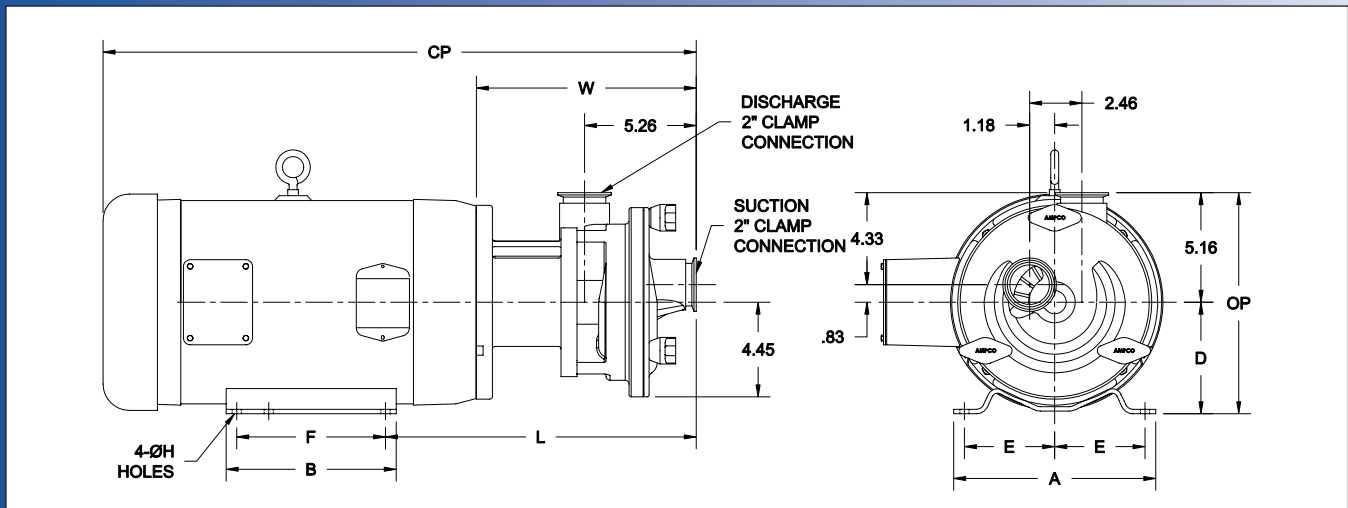
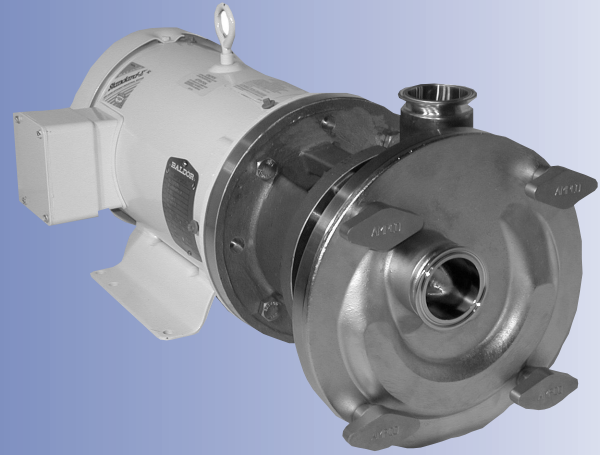
**CSI**

417.831.1411  
csidesigns.com

# Ampco Centrifugal Pumps

DATA SHEET

MODEL SP-215 2X2



TEFC MOTOR			DIMENSIONS IN INCHES (For Reference Only)										APPROX WEIGHT (LBS)
HP	RPM	FRAME	A (typ)	B (typ)	D	E	F	ØH	L	W	CP	OP	
7.5	1750	213TC	9-1/2	8	5-1/4	4-1/4	5-1/2	13/32	14.53	10.28	25.54	10.76	180
10	1750	215TC	9-1/2	8	5-1/4	4-1/4	7	13/32	14.53	10.28	26.69	10.76	190

## MATERIAL SPECIFICATIONS

PART NAME	STAINLESS STEEL
Casing, Cover & Impeller	316L Stainless
Stub Shaft	316L Stainless
Adapter	304 Stainless



**CSI**  
417.831.1411  
csidesigns.com

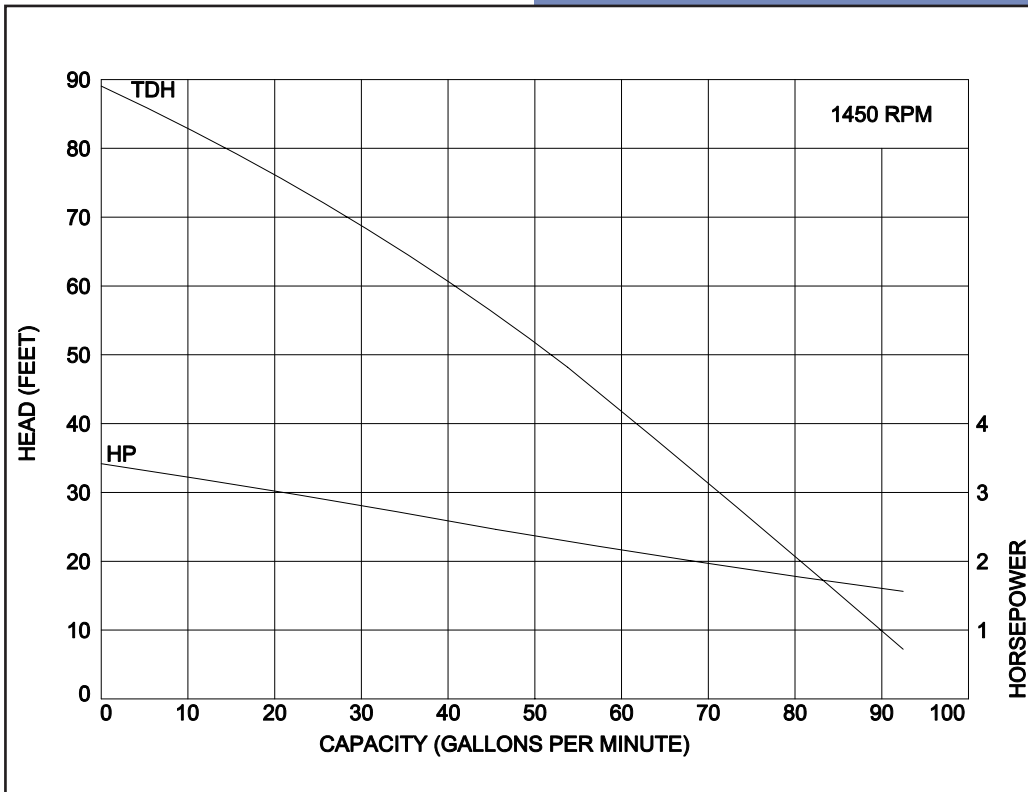
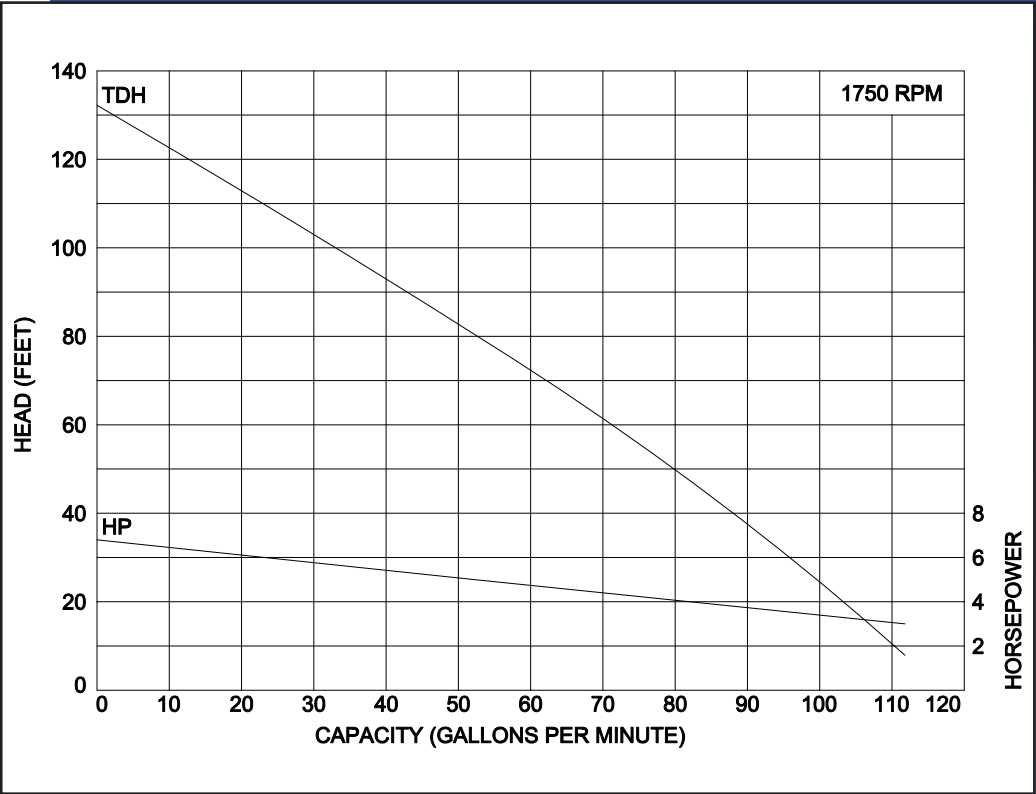


MODEL SP-215 2X2

# Ampco Centrifugal Pumps

Curves show approximate characteristics based on clear 68° water. Rated point is guaranteed.

SP-Series pumps have standard stainless steel adapters and silicon carbide vs. carbon seals.



SP pumps are in conformance with 3A sanitary standards for centrifugal and positive rotary pumps for milk and milk products, Number 02-10.

SP-Series pumps have a standard 32RA (150 grit) finish, on all product contact surfaces.

**Ampco  
Pumps  
Company**



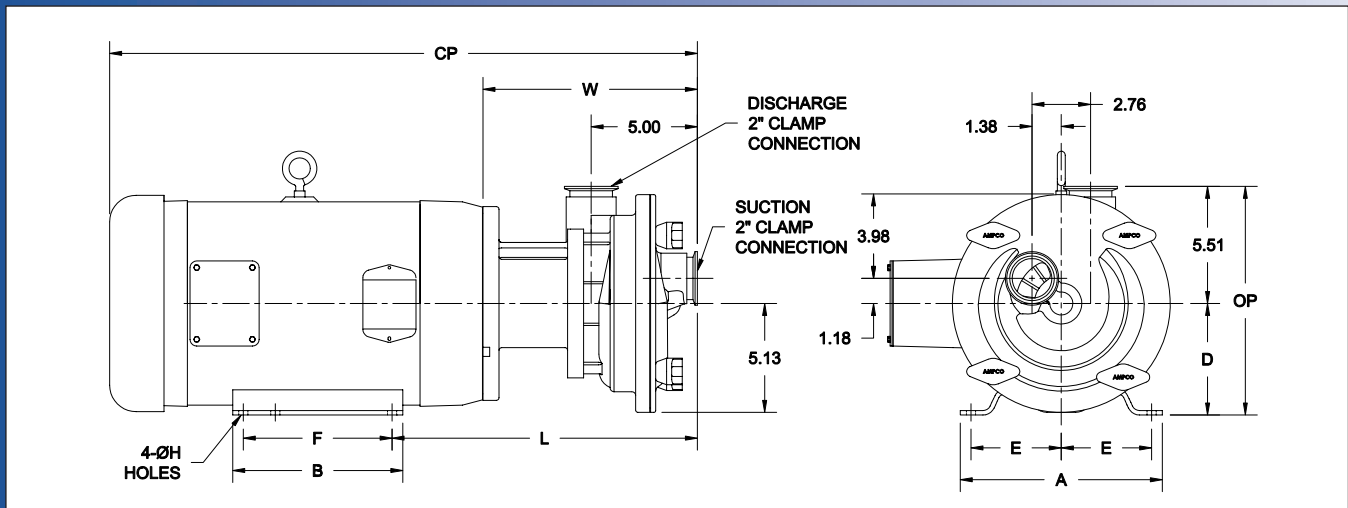
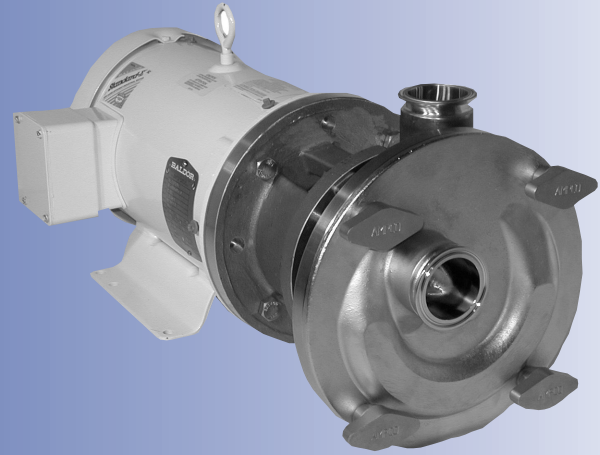
**CSI**

417.831.1411  
csidesigns.com

# Ampco Centrifugal Pumps

DATA SHEET

MODEL SP-220 2X2



TEFC MOTOR			DIMENSIONS IN INCHES (For Reference Only)										APPROX WEIGHT (LBS)
HP	RPM	FRAME	A (typ)	B (typ)	D	E	F	ØH	L	W	CP	OP	
10	1750	215TC	9-1/2	8	5-1/4	4-1/4	7	13/32	14.34	10.09	26.50	10.84	195
15	1750	254TC	11-1/2	11-1/2	6-1/4	5	8-1/4	17/32	14.34	10.09	27.66	11.84	305

## MATERIAL SPECIFICATIONS

PART NAME	STAINLESS STEEL
Casing, Cover & Impeller	316L Stainless
Stub Shaft	316L Stainless
Adapter	304 Stainless



**CSI**

417.831.1411  
csidesigns.com

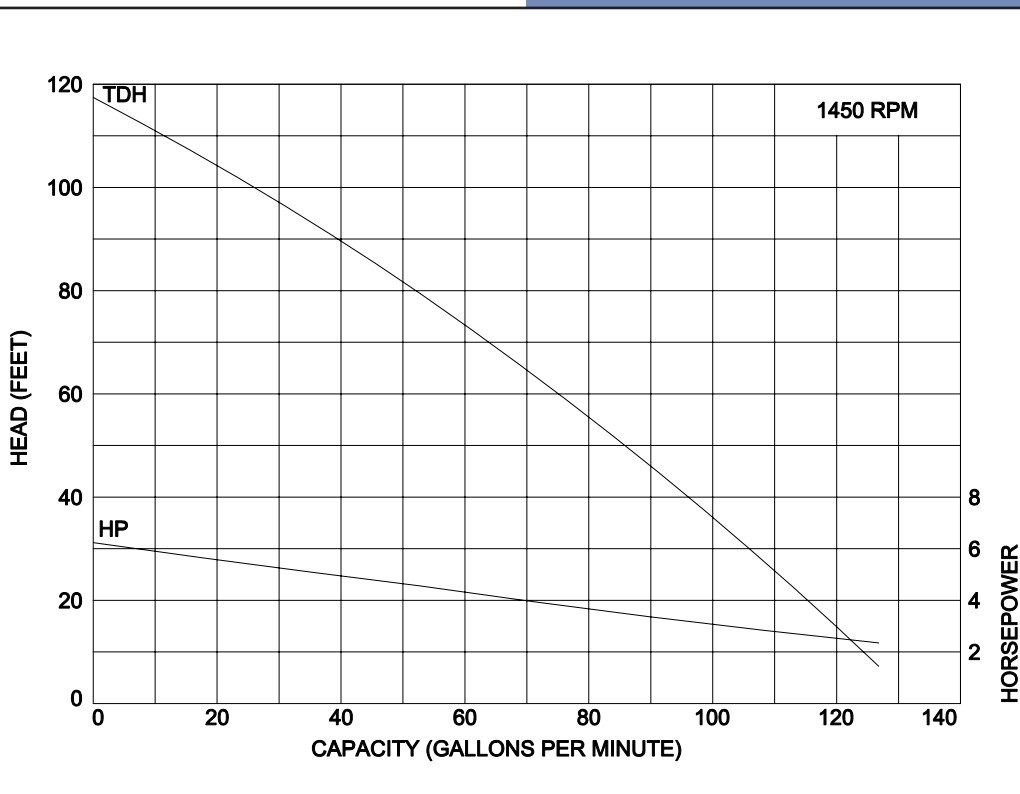
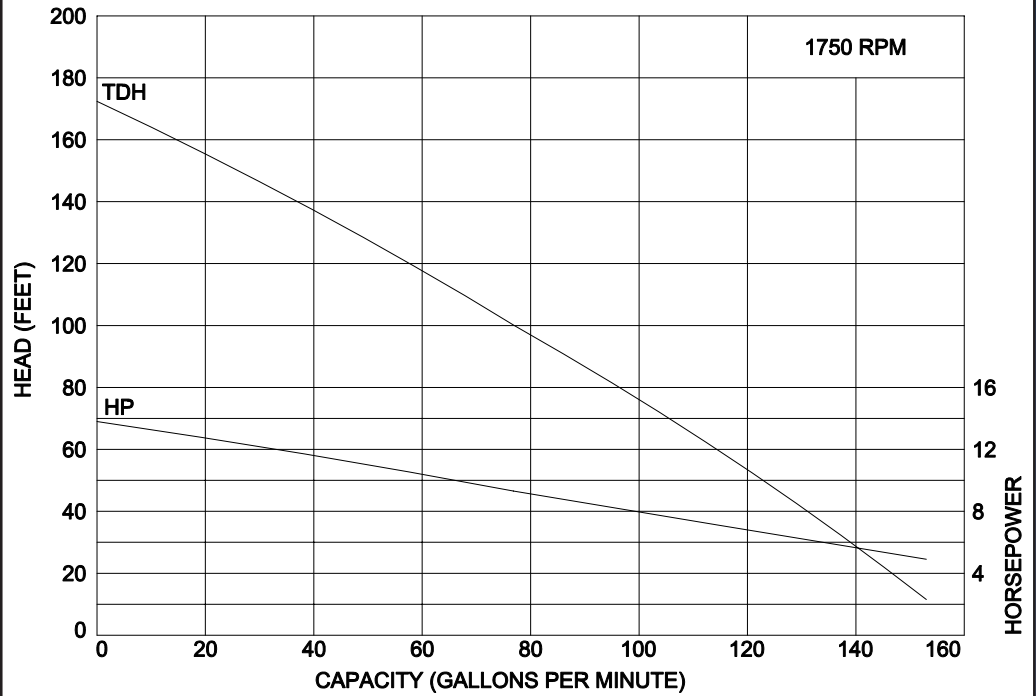


MODEL SP-220 2X2

# Ampco Centrifugal Pumps

Curves show approximate characteristics based on clear 68° water. Rated point is guaranteed.

SP-Series pumps have standard stainless steel adapters and silicon carbide vs. carbon seals.



SP pumps are in conformance with 3A sanitary standards for centrifugal and positive rotary pumps for milk and milk products, Number 02-10.

SP-Series pumps have a standard 32RA (150 grit) finish, on all product contact surfaces.

## Ampco Pumps Company



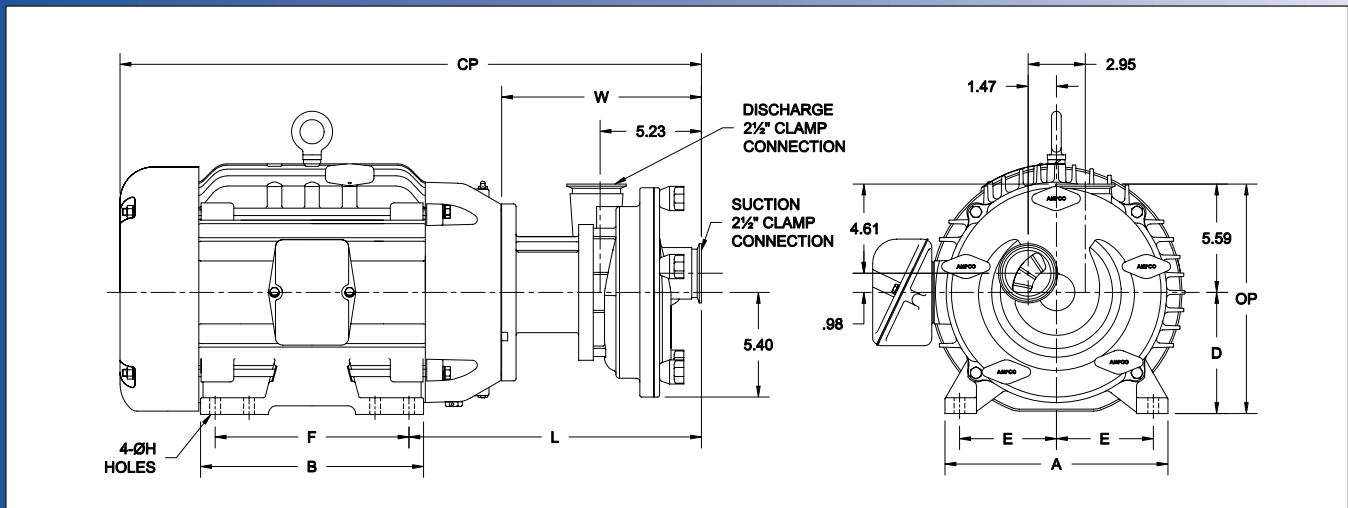
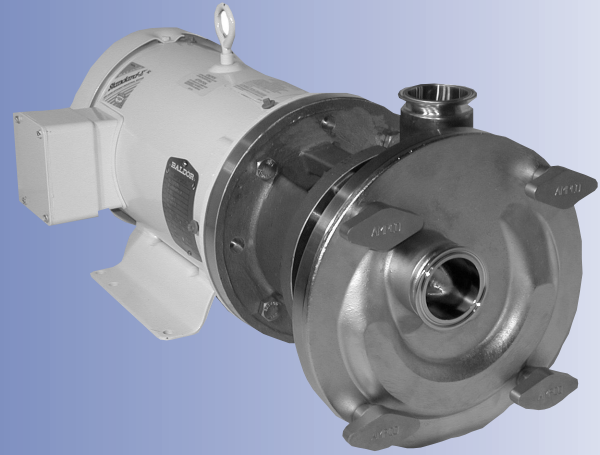
**CSI**

417.831.1411  
csidesigns.com

# Ampco Centrifugal Pumps

## DATA SHEET

MODEL SP-225 2<sup>1</sup>/<sub>2</sub> X 2<sup>1</sup>/<sub>2</sub>



TEFC MOTOR			DIMENSIONS IN INCHES (For Reference Only)										APPROX WEIGHT (LBS)
HP	RPM	FRAME	A (typ)	B (typ)	D	E	F	ØH	L	W	CP	OP	
15	1750	254TC	11-1/2	11-1/2	6-1/4	5	8-1/4	17/32	15.03	10.28	27.85	13.32	345
20	1750	256TC	11-1/2	11-1/2	6-1/4	5	10	17/32	15.03	10.28	29.94	13.32	368

### MATERIAL SPECIFICATIONS

PART NAME	STAINLESS STEEL
Casing, Cover & Impeller	316L Stainless
Stub Shaft	316L Stainless
Adapter	304 Stainless



**CSI**  
417.831.1411  
csidesigns.com

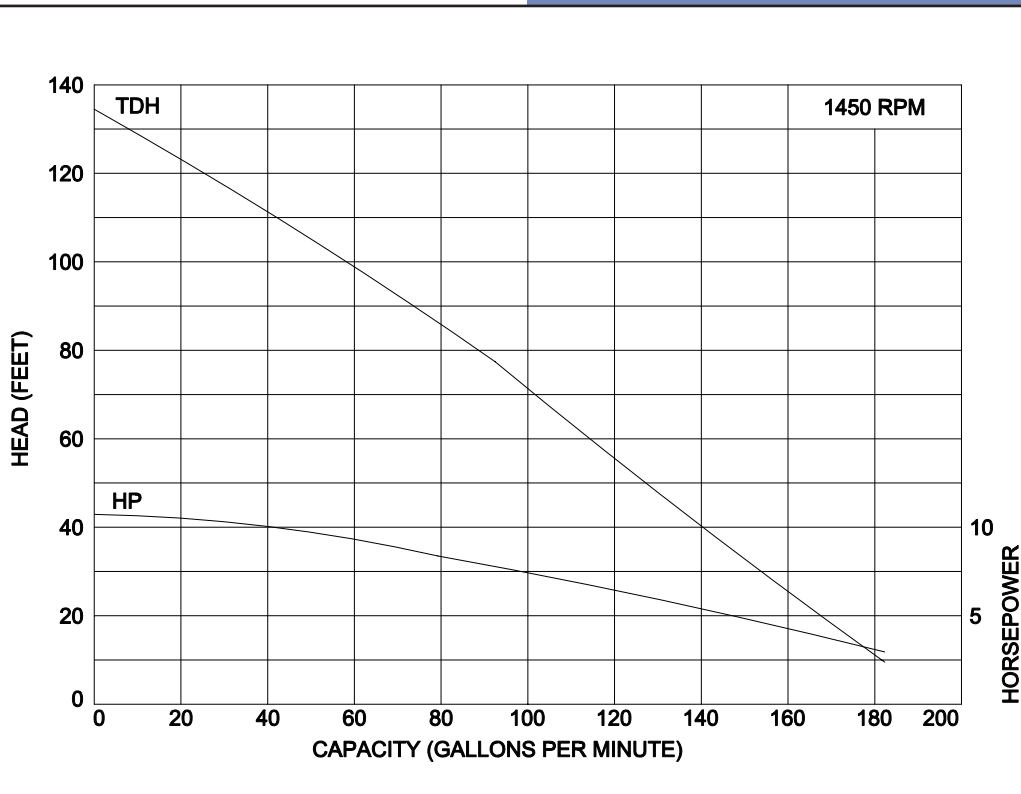
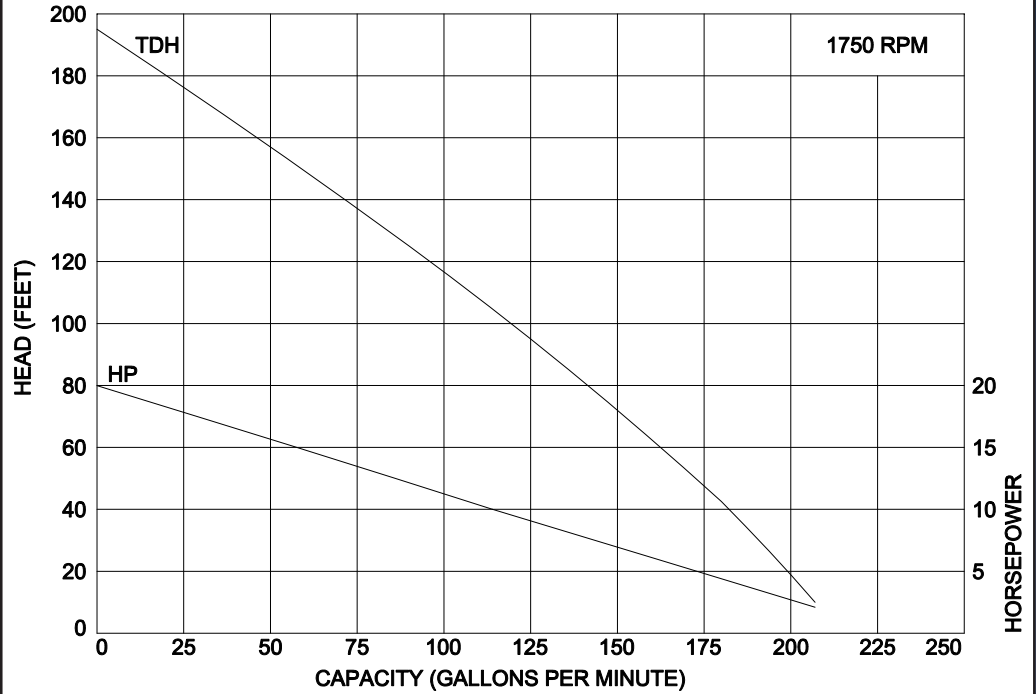


MODEL SP-225 2<sup>1</sup>/<sub>2</sub> X 2<sup>1</sup>/<sub>2</sub>

# Ampco Centrifugal Pumps

Curves show approximate characteristics based on clear 68° water. Rated point is guaranteed.

SP-Series pumps have standard stainless steel adapters and silicon carbide vs. carbon seals.



SP pumps are in conformance with 3A sanitary standards for centrifugal and positive rotary pumps for milk and milk products, Number 02-10.

SP-Series pumps have a standard 32RA (150 grit) finish, on all product contact surfaces.

**Ampco  
Pumps  
Company**



**CSI**  
417.831.1411  
csidesigns.com