



Servo-assisted 2/2-way diaphragm valve

- Servo-assisted diaphragm valve with nominal diameter of up to DN 40
- Spring coupled diaphragm opens without differential pressure
- Damped design for low noise
- High flow rate with compact design
- Energy-saving double coil technology with Kick and Drop variant

Product variants described in the data sheet may differ from the product presentation and description.

Can be combined with

	Type 2518 Cable plug, form A according to DIN EN 175301 - 803	▶
	Type 2513 Cable plug, form A according to DIN EN 175301 - 803	▶
	Type 1087 Timer, form A according to DIN EN 175301 - 803	▶
	Type 2509 Cable plug, form A according to DIN EN 175301-803	▶

Type description

The 6213 EV valve is a servo-assisted diaphragm valve of the S.EV series. The diaphragm spring coupling supports the opening process of the valve. In its standard version, the valve is suitable for use in liquids. A minimum differential pressure is required for complete opening. A special version (HP00) which opens the valve without differential pressure is available for gas and vacuum applications. Various diaphragm material combinations are available depending on the application. The range of housings includes brass, stainless steel and gunmetal. Dezincification-resistant brass is available for other markets. To reduce power consumption in operation, coils with Kick and Drop electronics assembly (double coil technology) are available.

Table of contents

1. General technical data	3
2. Circuit functions	4
3. Approvals	4
4. Materials	5
4.1. Bürkert resistApp	5
4.2. Material specifications	5
5. Dimensions	6
5.1. Standard version with brass and stainless steel body	6
5.2. Coil dimension	7
5.3. Coil UL Listed (cULus) for hazardous locations, Class I, Division 2	8
5.4. Coil UL Listed (cULus) for hazardous locations, Class I, Division 2 (HP00 version)	9
6. Performance specifications	10
6.1. Power consumption	10
7. Product accessories	10
7.1. Special tool to turn the terminal box	10
7.2. Kick and Drop coil	10
8. Ordering information	10
8.1. Bürkert eShop	10
8.2. Bürkert product filter	11
8.3. Ordering chart	11
UL Listed standard version with brass body	11
UL Listed HP00 version with brass body	12
UL Listed standard version with stainless steel body	13
UL Listed HP00 version with stainless steel body	14
8.4. Ordering chart accessories	15
Cable plug Type 2509, form A according to DIN EN 175301 - 803	15
Cable plug Type 2518, form A according to DIN EN 175301 - 803	15
Special tool to turn the terminal box	15
Timer Type 1087, form A according to DIN EN 175301 - 803	16

1. General technical data






Product properties	
Dimensions	Detailed information can be found in chapter "5. Dimensions" on page 6.
Material	
Seal	NBR, FKM, EPDM
Body	Brass acc. to DIN EN 50930-6 Stainless steel 1.4408/316L
Coil	Polyamide, epoxy (insulation class H)
Inner part of valve	Brass body: Brass, stainless steel and PPS Stainless steel body: Stainless steel and PPS
Orifice	Standard: DN 10...DN 40 HP00: DN 13...DN 20
Circuit function	Detailed information can be found in chapter "2. Circuit functions" on page 4.
Performance data	
Duty cycle	100 % continuous rating; KD coil max. rating 6 circuit switches/minute
Switching time^{1.)} AC/DC	
DN 10...DN 13	Opening: 10...100 ms Closing: 100...200 ms
DN 20	Opening: 200...300 ms Closing: 400...700 ms
DN 25...DN 40	Opening: 300...400 ms Closing: 800...1400 ms
Electrical data	
Operating voltage	Standard: 024/DC, 024/60, 120/60, 240/60 HP00: 024/DC, 24 V/50...60 Hz, 110-120 V/50...60 Hz, 230-240 V/50...60 Hz Others on request
Power consumption	Depending on orifice and coil size For detailed information, see "6. Performance specifications" on page 10
Voltage tolerance	± 10 %
Medium data	
Operating medium	
NBR	Neutral fluids, water, hydraulic oil, oil without additives
FKM	Per-solutions, hot oils with additives
EPDM	Oil and fat-free fluids and gases, aqueous alkali solution, acetone
Medium temperature	
NBR	-14 °F...+176 °F
FKM	32 °F...+194 °F with polyamide coil 32 °F...+248 °F with epoxy coil
EPDM	-22 °F...+194 °F with polyamide coil -22 °F...+212 °F with epoxy coil
Viscosity	Max. 21 cSt (21 mm ² /s)
Process/Port connection & communication	
Electrical connection	Tag connector acc. to DIN EN 175 301 - 803 form A (see "8.4. Ordering chart accessories" on page 15)
Port connection	G ¼, G ⅜, G ½, G ¾, G 1, G 1 ¼, G 1 ½, G 2 NPT ¼, NPT ⅜, NPT ½, NPT ¾, NPT 1, NPT 1 ¼, NPT 1 ½, NPT 2 (Rc on request)
Approvals and certificates	
Directives	CE, EAC
Degree of protection	IP65 with cable plug Type 2518 ▶, IP67 on request UL hazloc 2 with cable plug Type 2509 ▶ NEMA 4X with cable plug Type 2509 ▶ with stainless steel versions cFMus approved coil (with Code PR05) on request
Environment and installation	
Installation	As required, preferably with actuator upright
Ambient temperature	Max. +131 °F

1.) Measurement at 87 psi and +68 °F at the valve outlet, opening: pressure build-up 0...90 %, closing: pressure reduction 100...10 %

2. Circuit functions

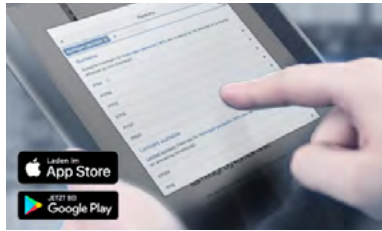
Symbol	Description
	Circuit function A (CF A) 2/2-way solenoid valve Servo-controlled Normally closed

3. Approvals

Approval	Description
 <p>UL LISTED Solenoid for use in hazardous locations E504714</p>	UL Listed for the USA and Canada The products with coil with fixed cables are UL hazloc Div. 2 for the USA and Canada according to: <ul style="list-style-type: none"> UL 61010-1 (ELECTRICAL EQUIPMENT FOR MEASUREMENT, CONTROL, AND LABORATORY USE – Part 1: General Requirements) CAN/CSA-C22.2 No. 61010-1
	UL Recognized for the USA The coil material insulation class H is UL Recognized for the USA according to: <ul style="list-style-type: none"> UL 61010-1 (ELECTRICAL EQUIPMENT FOR MEASUREMENT, CONTROL, AND LABORATORY USE – Part 1: General Requirements)
	Optional: UL Recognized for the USA and Canada The coil is UL Recognized for the USA and Canada according to: <ul style="list-style-type: none"> UL 61010-1 (ELECTRICAL EQUIPMENT FOR MEASUREMENT, CONTROL, AND LABORATORY USE – Part 1: General Requirements) CAN/CSA-C22.2 No. 61010-1
	CSA for Canada and the USA The product is CSA approved for Canada and the USA according to: <ul style="list-style-type: none"> UL 61010-1 (ELECTRICAL EQUIPMENT FOR MEASUREMENT, CONTROL, AND LABORATORY USE – Part 1: General Requirements) CAN/CSA-C22.2 No. 61010-1
	cFMus approved (coil)

4. Materials

4.1. Bürkert resistApp



Bürkert resistApp – Chemical Resistance Chart

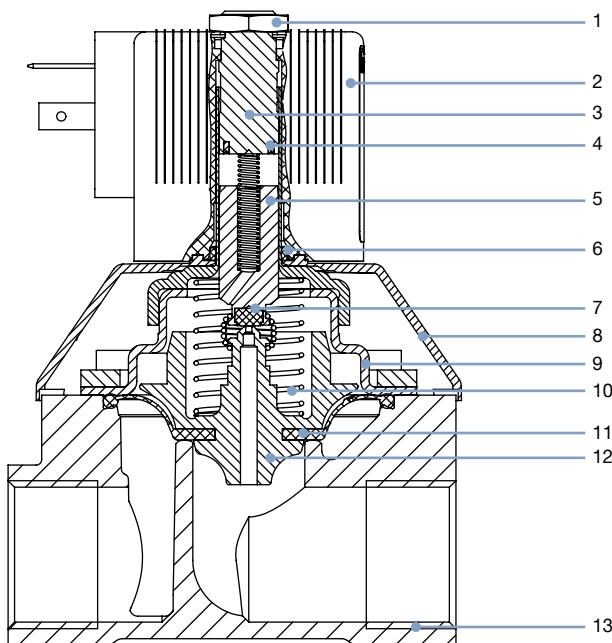
You want to ensure the reliability and durability of the materials in your individual application case? Verify your combination of media and materials on our website or in our resistApp.

[Start Chemical Resistance Check](#)

4.2. Material specifications

Note:

The sectional view shown corresponds to the standard version nominal diameter 20. For other versions and nominal diameters, the sectional view varies.



No.	Element	Material
1	Locknut	Steel (surface thick-film passivated acc. to RoHS) Stainless steel 1.4305, PTFE coated
2	Coil	Polyamide or Epoxy
3	Stopper	Stainless steel 1.4113/434 ¹⁾
4	Shading ring (only AC version)	with brass body: Copper (Cu) with stainless steel body: Silver (Ag)
5	Magnetic core	Stainless steel 1.4113/434 ¹⁾
6	O-Ring	FKM
7	Plunger seal	NBR, FKM, EPDM
8	Bonnet	PA6
9	Cover	DN 10...DN 25: Stainless steel 1.4301 DN 40: Brass, stainless steel 1.4408/316L
10	Spring	Stainless steel 1.4310
11	Diaphragm	NBR, FKM, EPDM
12	Diaphragm support	PPSGF40 in combination with brass and accordingly stainless steel parts
13	Valve body	Brass, stainless steel 1.4408/316L (CF3M) Gunmetal with external thread

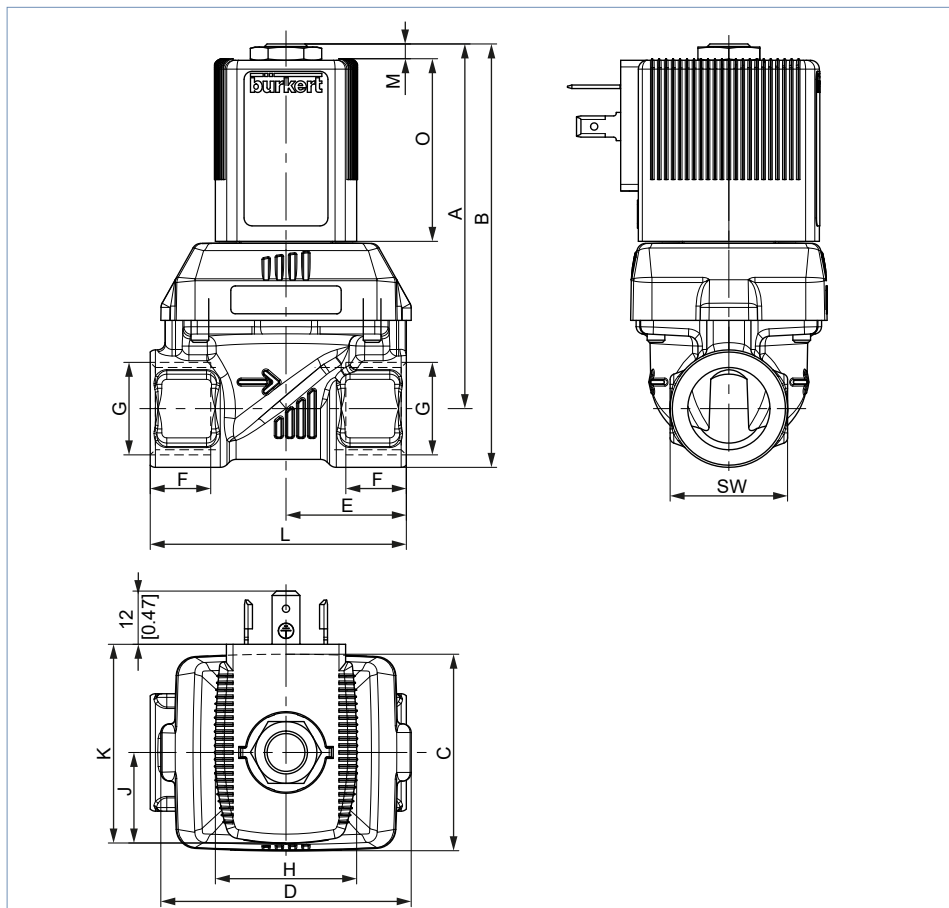
1.) Material designation according to AISI

5. Dimensions

5.1. Standard version with brass and stainless steel body

Note:

Dimensions in mm [inch]

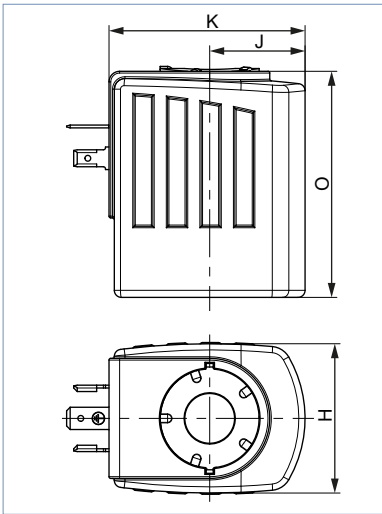


DN	A		B		C		D		E		F		G	L		SW		Coil size
	[mm]	[inch]	[mm]	[inch]	[mm]	[inch]	[mm]	[inch]	[mm]	[inch]	[mm]	[inch]	[inch]	[mm]	[inch]	[mm]	[inch]	
10	71.1	2.80	82.1	3.23	36	1.42	46	1.81	22	0.87	10.0	0.39	NPT ¼	50	1.97	22	0.87	5 and 6
10 ^{1.)}	73.1	2.88	86.6	3.41										50	1.97	27	1.06	
10 ^{2.)}																		
13 ^{1.)}	82.6	3.25	95.9	3.78	44.5	1.75	56.7	2.23	27.25	1.07	13.7	0.54	NPT ½	58	2.28	27	1.06	5 and 6
13 ^{2.)}									32.5	1.28				65	2.56			
13	84.6	3.33	100.6	3.96					32.5	1.28	14	0.55	NPT ¾	65	2.56	32	1.26	
20	97.1	3.82	113.1	4.45					65	2.56	76.6	3.02	37	1.46	14	0.55	NPT ¾	80
20	99.6	3.92	120.1	4.73					37.5	1.48	16.8	0.66	NPT 1	80	3.15	41	1.61	
13 ^{1.)}	109.3	4.30	122.8	4.83					44.5	1.75	56	2.23	27.25	1.07	13.7	0.54	NPT ½	58
13 ^{2.)}									32.5	1.28				65	2.56			
13	111.3	4.38	127.3	5.01					32.5	1.28	14	0.55	NPT ¾	65	2.56	32	1.26	
20	123.9	4.88	139.9	5.51					65	2.56	76.6	3.02	37	1.46	14	0.55	NPT ¾	80
20	126.4	4.98	146.9	5.78					37.5	1.48	16.8	0.66	NPT 1	80	3.15	41	1.61	
25	143.4	5.65	163.4	6.43					77	3.03	88	3.46	46	1.81	16.8	0.66	NPT 1	95
25	148.3	5.84	173.3	6.82					46	1.81	17.3	0.68	NPT 1¼	95	3.74	50	1.97	
40 ^{1.)}	153.9	6.06	178.9	7.04					104.5	4.11	117	4.61	61	2.40	17.3	0.68	NPT 1¼	126
40	159.4	6.28	189.4	7.46					61	2.40	17.3	0.68	NPT 1½	126	4.96	60	2.36	
40	165.4	6.51	200.4	7.89									64	2.52	17.6	0.69	NPT 2	132

1.) Only in threaded brass connection

2.) Only in threaded stainless steel connection

5.2. Coil dimension

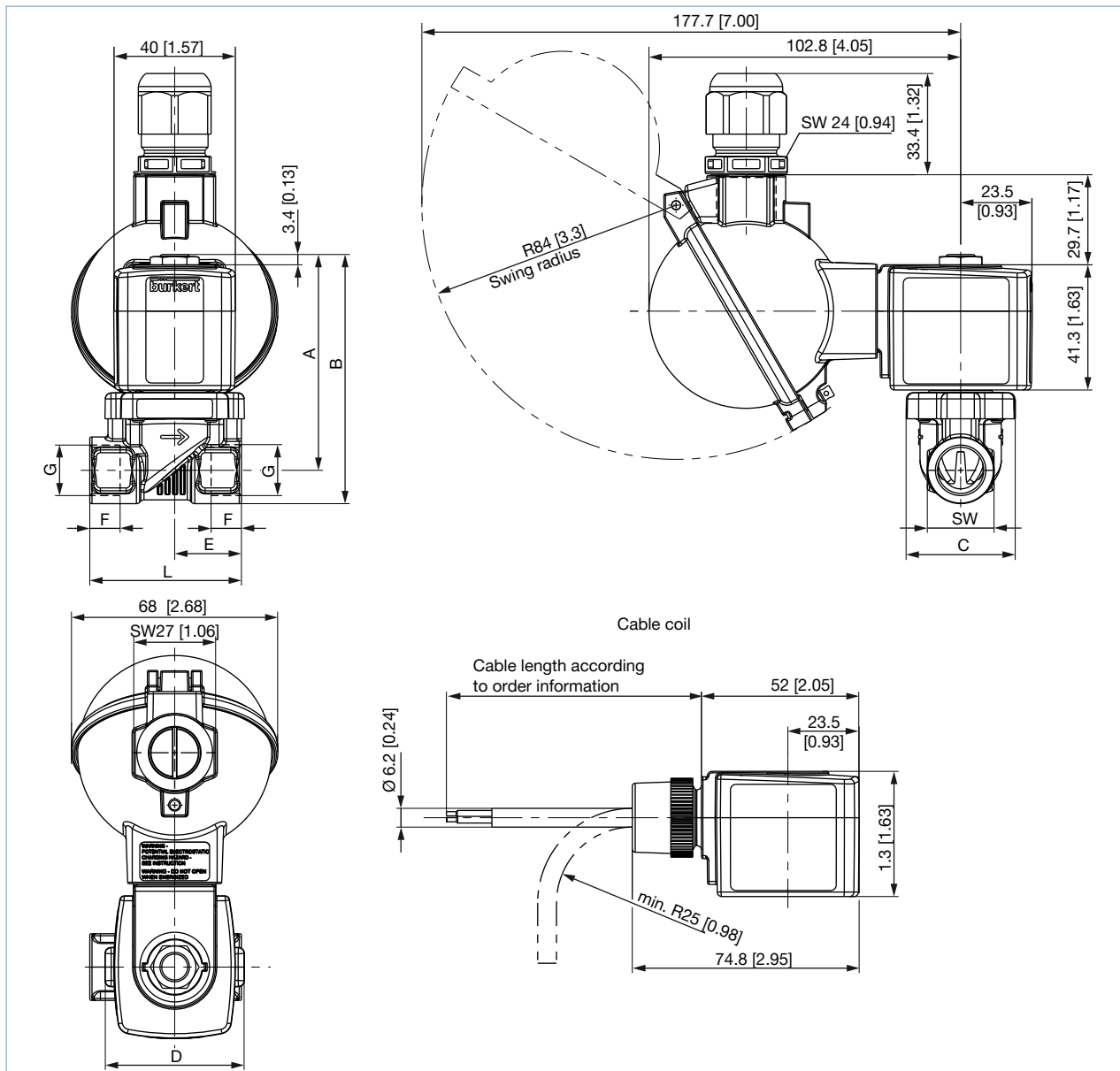


Coil size	H		J		K		O		M	
	[mm]	[inch]	[mm]	[inch]	[mm]	[inch]	[mm]	[inch]	[mm]	[inch]
5	32	1.26	20.5	0.81	45	1.77	41	1.61	3.4	0.13
6	40	1.57	23.5	0.93	51	2.01	41	1.61	3.4	0.13
K	42	1.65	27	1.06	55.5	2.19	64	2.52	7	0.28
L	65	2.56	37.5	1.48	72	2.83	64	2.52	7	0.28

5.3. Coil UL Listed (cULus) for hazardous locations, Class I, Division 2

Note:

- Dimensions in mm [inch]
- Coil with terminal box and cable gland or coil with cable connection on request.



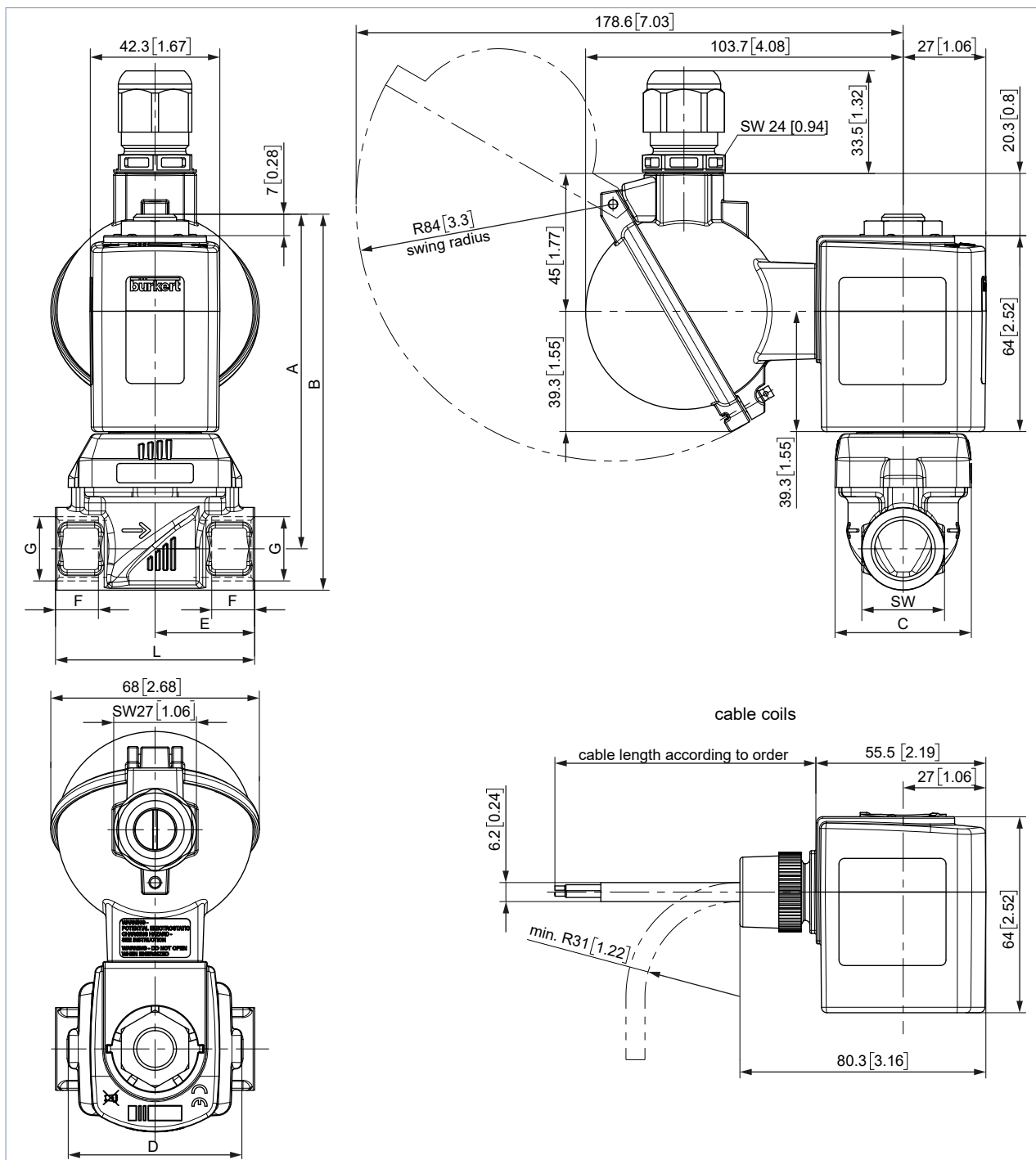
DN	A		B		C		D		E		F		G		L		SW						
	[mm]	[inch]	[mm]	[inch]	[mm]	[inch]	[mm]	[inch]	[mm]	[inch]	[mm]	[inch]	[inch]	[mm]	[inch]	[mm]	[inch]						
10	71.2	2.80	82.2	3.24	36	1.42	45.6	1.8	22	0.87	10	0.39	NPT ¼	50	0.97	22	0.87						
	73.2	2.88	86.7	3.41							24.5	0.96	13.7					0.54	NPT ½	27	1.06		
13	82.7	3.26	96	3.78	44.5	1.75	56.7	2.23	27.25	1.07	13.7	0.54	NPT ½	55	2.17	27	1.06						
	84.7	3.34	100.7	3.96					32.5	1.28	14	0.55	NPT ¾	65	2.56			32	1.26				
20	97.2	3.83	113.2	4.46	65	2.56	76.6	3.02	37	1.46	14	0.55	NPT ¾	80	3.15	41	1.6						
	99.7	3.93	120.2	4.73					37.5	1.48	16.8	0.66	NPT 1										

DTS 1000588100 EN Version: - Status: RL (released | freigegeben | valide) printed: 27.07.2023

5.4. Coil UL Listed (cULus) for hazardous locations, Class I, Division 2 (HP00 version)

Note:

Dimensions in mm [inch]



DN	A		B		C		D		E		F		G	L		SW	
	[mm]	[inch]	[mm]	[inch]	[mm]	[inch]	[mm]	[inch]	[mm]	[inch]	[mm]	[inch]	[inch]	[mm]	[inch]	[mm]	[inch]
13 ¹⁾	109.3	4.3	122.8	4.83	44.5	1.75	56.7	2.23	27.25	1.07	13.7	0.54	NPT ½	58	2.28	27	1.06
13 ²⁾									32.5	1.28				65	2.56		
20	123.9	4.88	139.9	5.51	65	2.56	76.6	3.02	37	1.46	14	0.55	NPT ¾	80	3.15	32	1.26

1.) Only in threaded brass connection

2.) Only in threaded stainless steel connection

6. Performance specifications

6.1. Power consumption

Nominal size	Coil size		AC			DC		KD coil AC/DC ^{2.)}		
			Inrush	Hold		Cooling capacity	Heat performance	AC	DC	AC/DC
[mm]	[mm]	SG	[VA]	[VA]	[W]	[W]	[W]	Cooling capacity ^{1.)} Inrush (500 ms)	Cooling capacity ^{1.)} Hold	Heat performance Hold
			[VA]	[VA]	[W]	[W]	[W]	[W]	[W]	[W]
10	32	5	34	14	8	–	–	–	–	–
10	40	6	–	–	10	11	10	–	–	–
13	32	5	36	14	8	–	–	–	–	–
13	40	6	–	–	10	11	10	–	–	–
13	42	K	125	37	16	21	16	44	6.5	5.5
20	32	5	38	14	8	–	–	–	–	–
20	40	6	–	–	10	11	10	–	–	–
20	42	K	140	37	16	21	16	44	6.5	5.5
25	42	K	150	37	16	–	–	85	8.5	7
25	65	L	–	–	–	28	21	–	–	–
40	42	K	190	37	16	–	–	85	8.5	7
40	65	L	–	–	–	28	21	–	–	–

1.) Cold performance refers to a coil temperature of 68 °F

2.) Kick and Drop coil (KD coil): Coil with energy-saving Kick and Drop electronics in double coil technology

7. Product accessories

7.1. Special tool to turn the terminal box

Note:

Detailed ordering information can be found in chapter **“Special tool to turn the terminal box”** on page 15

7.2. Kick and Drop coil

Detailed information can be found in data sheet ACKD, see **Type 6213** ▶.

8. Ordering information

8.1. Bürkert eShop



Bürkert eShop – Easy ordering and quick delivery

You want to find your desired Bürkert product or spare part quickly and order directly? Our online shop is available for you 24/7. Sign up and enjoy all the benefits.

[Order online now](#)

8.2. Bürkert product filter



Bürkert product filter – Get quickly to the right product

You want to select products comfortably based on your technical requirements? Use the Bürkert product filter and find suitable articles for your application quickly and easily.

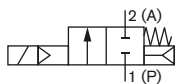
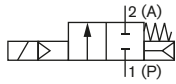
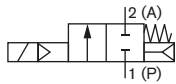
[Try out our product filter](#)

8.3. Ordering chart

UL Listed standard version with brass body

Note:

- Please note that the cable plug **Type 2509** is included. UL Recognized and other versions are available on request. For details see “Cable plug **Type 2509, form A** according to **DIN EN 175301 - 803**” on page 15.
- Further versions on request

Circuit function	Port connection	Orifice	C _v value water ^{1.)2.)}	Pressure range ^{3.)} water (MAWP) ^{4.)}	Weight ^{5.)}	Article no.		
						024/DC ^{6.)}	024/60	120/60
		[mm]	[gal/min]	[psi]	[kg]	[V/Hz]	[V/Hz]	[V/Hz]
Seal material NBR, epoxy coil, medium temperature -14...+176 °F								
A, solenoid valve 2/2-way Servo-controlled Normally closed 	NPT ¼	10	5.72	0...145	0.3 (0.5)	263095	263094	334235
	NPT ⅜	10	8.36	0...145	0.3 (0.5)	280512	276336	334626
	NPT ½	10	8.36	0...145	0.4 (0.5)	280496	X	X
	NPT ½	13	15.85	0...145	0.4 (0.5)	280508	276337	263096
	NPT ¾	13	15.85	0...145	0.5 (0.6)	280492	276386	334624
	NPT ¾	20	36.54	0...145	0.7 (0.8)	280502	276385	334625
	NPT 1	20	36.54	0...145	0.9 (1.0)	280486	X	X
Seal material FKM, epoxy coil, medium temperature 32...+248 °F								
A, solenoid valve 2/2-way Servo-controlled Normally closed 	NPT ¼	10	5.72	0...145	0.3 (0.5)	280483	263474	334614
	NPT ⅜	10	8.36	0...145	0.3 (0.5)	280483	X	X
	NPT ½	10	8.36	0...145	0.4 (0.5)	X	X	X
	NPT ½	13	15.85	0...145	0.4 (0.5)	280469	X	X
	NPT ¾	13	15.85	0...145	0.5 (0.6)	X	276386	334624
	NPT ¾	20	36.54	0...145	0.7 (0.8)	X	X	X
	NPT 1	20	36.54	0...145	0.9 (1.0)	X	X	X
Seal material EPDM, epoxy coil, medium temperature -22...+212 °F								
A, solenoid valve 2/2-way Servo-controlled Normally closed 	NPT ¼	10	5.72	0...145	0.3 (0.4)	334231	334232	X
	NPT ⅜	10	8.36	0...145	0.3 (0.4)	268281	268289	X
	NPT ½	13	15.85	0...145	0.4 (0.5)	280461	276388	X
	NPT ¾	13	15.85	0...145	0.5 (0.6)	X	X	X

X: on request

1.) Measurement at 14.5 psi^{3.)} and +68 °F at the valve inlet and free outlet

2.) A pressure difference of 7.25 psi is required to open the full cross-section.

3.) Pressure data: Overpressure to atmospheric pressure

4.) Maximum allowable working pressure

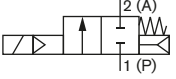
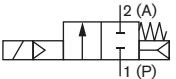
5.) The values in brackets regarding the weight apply to the DC version.

6.) For gas and vacuum applications, a minimum pressure of 7.25 psi is required for DC versions. Alternatively, HP00 versions can be used.

UL Listed HP00 version with brass body

Note:

- Preferably used for gas and vacuum applications as well as for liquids with increased flow and tightness requirements at low differential pressure.
- The Kick and Drop coil (AC/DC) features integrated electronics for short-term power increase and decrease in double coil technology.
- The maximum fluid temperature must not in any case exceed the permissible temperature class (T4 135 °C, T5 100 °C, T6 85 °C), minus 5 K.
- Kick and Drop coil max. 6 switching operations/minute

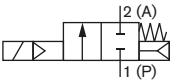
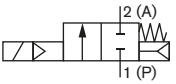
Circuit function	Port connection	Orifice	C _v value water ^{1.)}	Pressure range ^{2.)} water (MAWP) ^{3.)}	Weight	Article no.		
							024/DC or 24/50...60	110...120/50...60
		[mm]	[gal/min]	[psi]	[kg]	[V/Hz]	[V/Hz]	[V/Hz]
Seal material NBR, epoxy coil, medium temperature 32...+248 °F								
A, solenoid valve 2/2-way Servo-controlled Normally closed	NPT ½	13	15.85	0...145	0.8	333650	333651	333652
	NPT ¾	20	36.54	0...145	1.3	333665	333666	333667
								
Seal material FKM, epoxy coil, medium temperature -22...+212 °F								
A, solenoid valve 2/2-way Servo-controlled Normally closed	NPT ½	13	15.85	0...145	0.8	333656	333657	333658
	NPT ¾	20	36.54	0...145	1.3	333671	333674	333672
								

1.) Measurement at 14.5 psi^{2.)} and +68 °F at the valve inlet and free outlet

2.) Pressure data: Overpressure to atmospheric pressure

3.) Maximum allowable working pressure

UL Listed standard version with stainless steel body

Circuit function	Port connection	Orifice	C _v value water ^{1.)2.)}	Pressure range ^{3.)} water (MAWP) ^{4.)}	Weight ^{5.)}	Article no.		
						024/DC ^{6.)}	024/60	120/60
		[mm]	[gal/min]	[psi]	[kg]	[V/Hz]	[V/Hz]	[V/Hz]
Seal material FKM, epoxy coil, medium temperature -14...+176 °F								
A, solenoid valve 2/2-way Servo-controlled Normally closed 	NPT 1/4	10	5.72	0...145	0.3 (0.5)	280432 ☞	334234 ☞	334619 ☞
	NPT 3/8	10	8.36	0...145	0.3 (0.5)	280426 ☞	276390 ☞	334836 ☞
	NPT 1/2	13	15.85	0...145	0.4 (0.5)	280420 ☞	276391 ☞	334617 ☞
	NPT 3/4	20	36.54	0...145	0.7 (0.8)	280415 ☞	276392 ☞	334616 ☞
	NPT 1	20	36.54	0...145	0.9 (1.0)	280411 ☞	276393 ☞	334615 ☞
Seal material EPDM, epoxy coil, medium temperature 32...+248 °F								
A, solenoid valve 2/2-way Servo-controlled Normally closed 	NPT 1/4	10	5.72	0...145	0.3 (0.5)	280455 ☞	X	334237 ☞
	NPT 3/8	10	8.36	0...145	0.3 (0.5)	284861 ☞	X	334227 ☞
	NPT 1/2	13	15.85	0...145	0.4 (0.5)	280454 ☞	X	334621 ☞
	NPT 3/4	20	36.54	0...145	0.7 (0.8)	334226 ☞	X	334842 ☞
	NPT 1	20	36.54	0...145	0.9 (1.0)	280447 ☞	X	X

X: on request

1.) Measurement at 14.5 psi^{3.)} and +68 °F at the valve inlet and free outlet

2.) A pressure difference of 7.25 psi is required to open the full cross-section.

3.) Pressure data: Overpressure to atmospheric pressure

4.) Maximum allowable working pressure

5.) The values in brackets regarding the weight apply to the DC version.

6.) For gas and vacuum applications, a minimum pressure of 7.25 psi is required for DC versions. Alternatively, HP00 versions can be used.

UL Listed HP00 version with stainless steel body

Note:

- Preferably used for gas and vacuum applications as well as for liquids with increased flow and tightness requirements at low differential pressure.
- The Kick and Drop coil (AC/DC) features integrated electronics for short-term power increase and decrease in double coil technology.
- The maximum fluid temperature must not in any case exceed the permissible temperature class (T4 135 °C, T5 100 °C, T6 85 °C), minus 5 K.
- Kick and Drop coil max. 6 switching operations/minute

Circuit function	Port connection	Orifice	C _v value water ^{1.)}	Pressure range ^{2.)} water (MAWP) ^{3.)}	Weight	Article no. per voltage/frequency [V/Hz]		
						024/DC or 24/50...60	110...120/50...60	230...240/50...60
		[mm]	[gal/min]	[psi]	[kg]	[V/Hz]	[V/Hz]	[V/Hz]
Seal material NBR, epoxy coil, medium temperature 32...+248 °F								
A, solenoid valve 2/2-way Servo-controlled Normally closed 	NPT 1/2	13	15.85	0...145	0.8	333662	333663	333664
	NPT 3/4	20	36.54	0...145	1.3	333678	333680	333681
Seal material FKM, epoxy coil, medium temperature -22...+212 °F								
A, solenoid valve 2/2-way Servo-controlled Normally closed 	NPT 1/2	13	15.85	0...145	0.8	333659	333660	333661
	NPT 3/4	20	36.54	0...145	1.3	333675	333676	333677

1.) Measurement at 14.5 psi²⁾ and +68 °F at the valve inlet and free outlet
 2.) Pressure data: Overpressure to atmospheric pressure
 3.) Maximum allowable working pressure

Further versions on request	
Process connection Threaded port G, NPT, Rc, manifold, welded connection	Approval <ul style="list-style-type: none"> • UL (UL Listed) approval (MH10753) (PE95) • UR (UL Recognized) approval (PE94) • NEMA 250 Type 4X • CSA Certification (PD01) • UL hazloc Class I, Division 2 • UL / UR • cFMus approved coil (PR05) • Versions for oxygen applications
Temperature <ul style="list-style-type: none"> • EPDM version up to +212 °F with epoxy coil (NA38) • FKM version up to +248 °F with epoxy coil (NA38) 	
Voltage Further Voltages available	
Material <ul style="list-style-type: none"> • Brass dezincification resistant (MZ) • Nickel-plated brass (5 µm) (AF43) • Gunmetal with external thread (DN 10, DN 13, DN 20) 	
Coil Kick and Drop version: Coil with energy-saving Kick and Drop electronics in double-coil technology (CZ05)	


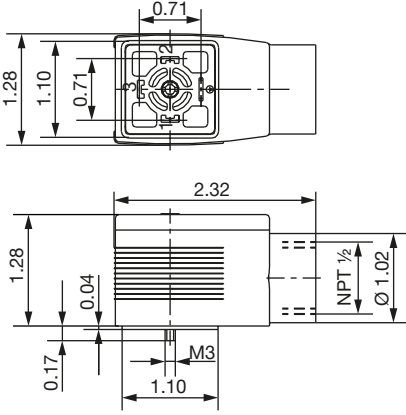
DTS 1000588100 EN Version: - Status: RL (released | freigegeben | valide) printed: 27.07.2023

8.4. Ordering chart accessories

Cable plug Type 2509, form A according to DIN EN 175301 - 803

Note:


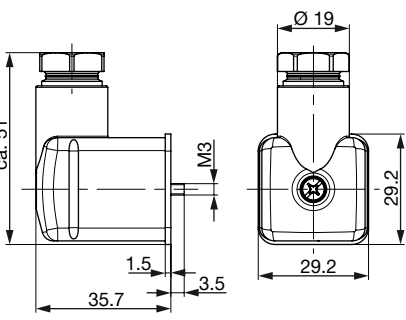
- The cable plug meets the requirements for UL hazloc Div. 2.
- Without circuitry (Standard)
- For more information on the cable plug, see data sheet **Type 2509** ▶.

Cable plug	Dimensions	Version	Voltage	Article no.
		Without circuitry	0...250 V AC/DC	137943

Cable plug Type 2518, form A according to DIN EN 175301 - 803

Note:

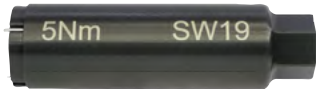
For further versions see data sheet **Type 2518** ▶.

Cable plug	Dimensions	Version	Voltage	Article no.
		Without circuitry (AC/DC)	0...250 V AC/DC	314802
		With LED (AC/DC)	12...24 V AC/DC	314812
		With LED and varistor (AC/DC)	12...24 V AC/DC	314820
		With rectifier, LED and varistor	12...24 V AC/DC	314816

Special tool to turn the terminal box

Note:











This special tool is not supplied with the valve.

Description	Components of the set	Article no.
	<ul style="list-style-type: none"> • Special wrench • Service manual 	293488

DTS 1000588100 EN Version: - Status: RL (released | freigegeben | valide) printed: 27.07.2023

Timer Type 1087, form A according to DIN EN 175301 - 803
Note:

 For more information on the timer, see data sheet **Type 1087** ▶.

Timer	Approval	Product code	Voltage range	Article no.
Analogue version 	–	1087-A-BCH-UC-28	10...30 V AC/DC	348828 
	–	1087-A-BDK-UC-28	24...240 V AC/DC	348829 
	cURus	1087-A-BCH-UC-28*PU01	10...30 V AC/DC	348906 
	cURus	1087-A-BDK-UC-28*PU01	24...240 V AC/DC	348907 
Digital version 	–	1087-A-BFW-UC-29	10...48 V AC/DC	348830 
	–	1087-A-BDX-UC-29	110...240 V AC/DC	348831 
	cURus	1087-A-BFW-UC-29*PU01	10...48 V AC/DC	348908 
	cURus	1087-A-BDX-UC-29*PU01	110...240 V AC/DC	348909 

Bürkert – Close to You

For up-to-date addresses
please visit us at
www.burkert.com

DTS 1000588100 EN Version: - Status: RL (released | freigegeben | validé) printed: 27.07.2023

Austria
Belgium
Czech Republic
Denmark
Finland
France
Germany
Italy
Netherlands

Norway
Poland
Spain
Sweden
Switzerland
Turkey
United Kingdom

