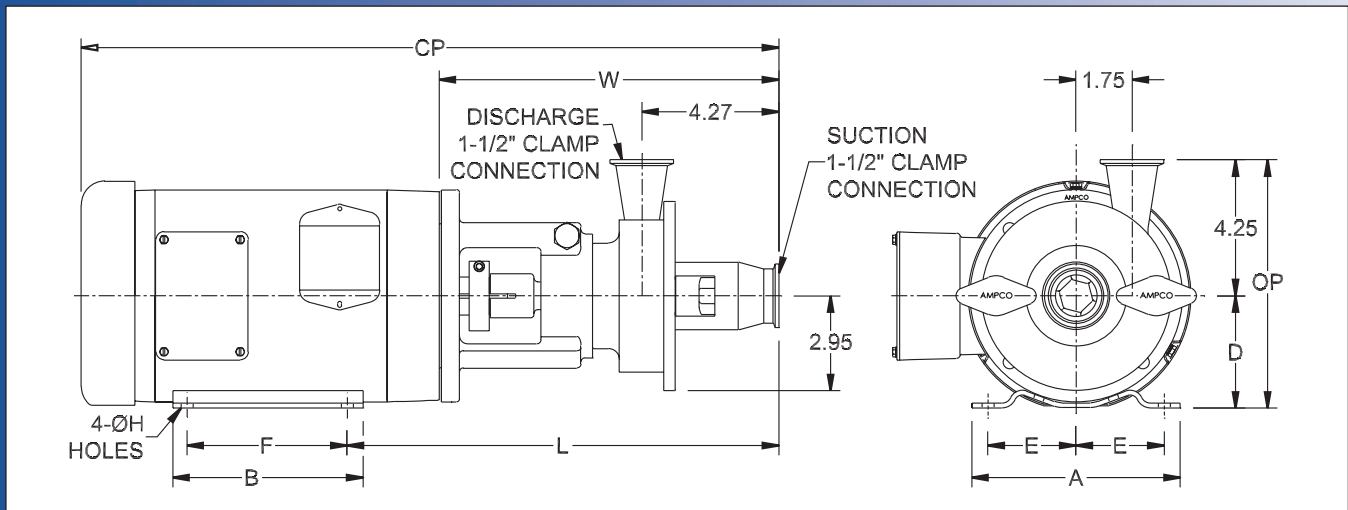
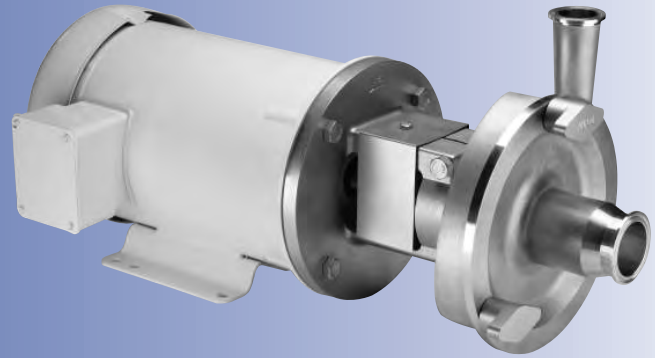


Ampco Centrifugal Pumps

DATA SHEET

MODEL LC-RO1 1 1/2 X 1 1/2
MODEL LC-RO2 1 1/2 X 1 1/2



| TEFC MOTOR | | | DIMENSIONS IN INCHES (For Reference Only) | | | | | | | | | | APPROX WEIGHT (LBS) |
|------------|------|-------|---|---------|-------|-------|---|-------|-------|-------|-------|------|---------------------|
| HP | RPM | FRAME | A (typ) | B (typ) | D | E | F | ØH | L | W | CP | OP | |
| 1 | 1750 | 143TC | 6-1/2 | 6 | 3-1/2 | 2-3/4 | 4 | 11/32 | 13.24 | 10.49 | 21.55 | 7.75 | 65 |
| 1-1/2 | 3500 | 143TC | 6-1/2 | 6 | 3-1/2 | 2-3/4 | 4 | 11/32 | 13.24 | 10.49 | 21.55 | 7.75 | 66 |
| 2 | 3500 | 145TC | 6-1/2 | 6 | 3-1/2 | 2-3/4 | 5 | 11/32 | 13.24 | 10.49 | 21.55 | 7.75 | 73 |

MATERIAL SPECIFICATIONS

| PART NAME | STAINLESS STEEL |
|--------------------------|-----------------|
| Casing, Cover & Impeller | 316L Stainless |
| Stub Shaft | 316L Stainless |
| Adapter | 304 Stainless |



CSI
417.831.1411
csidesigns.com

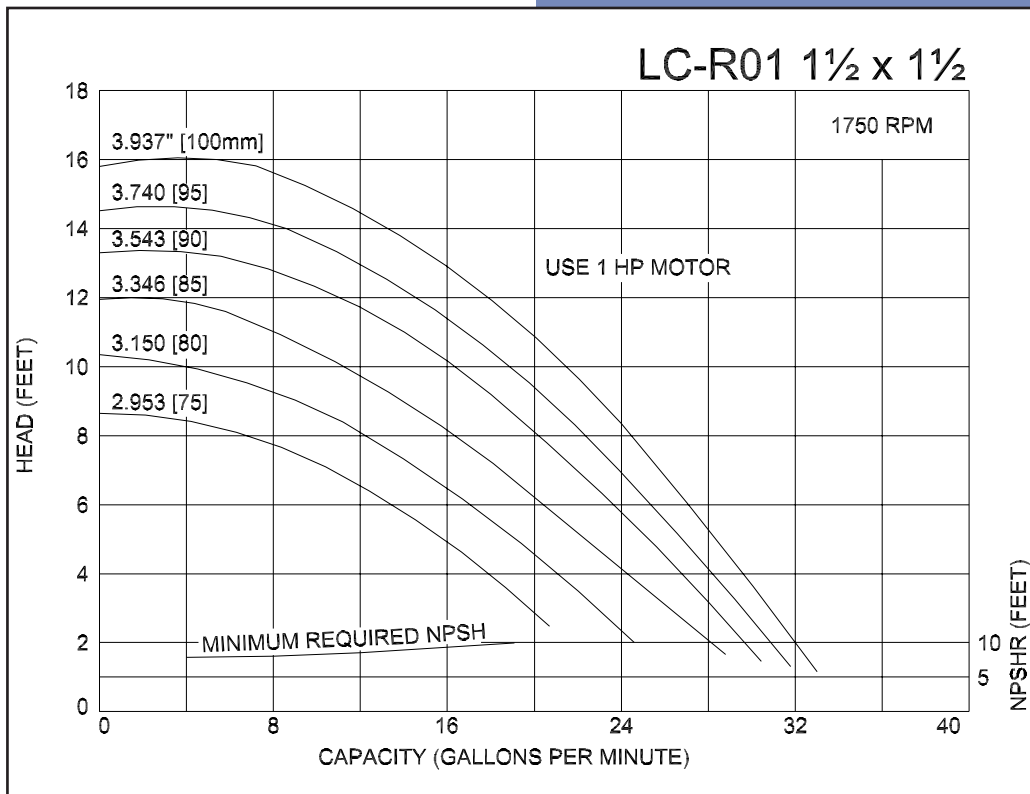
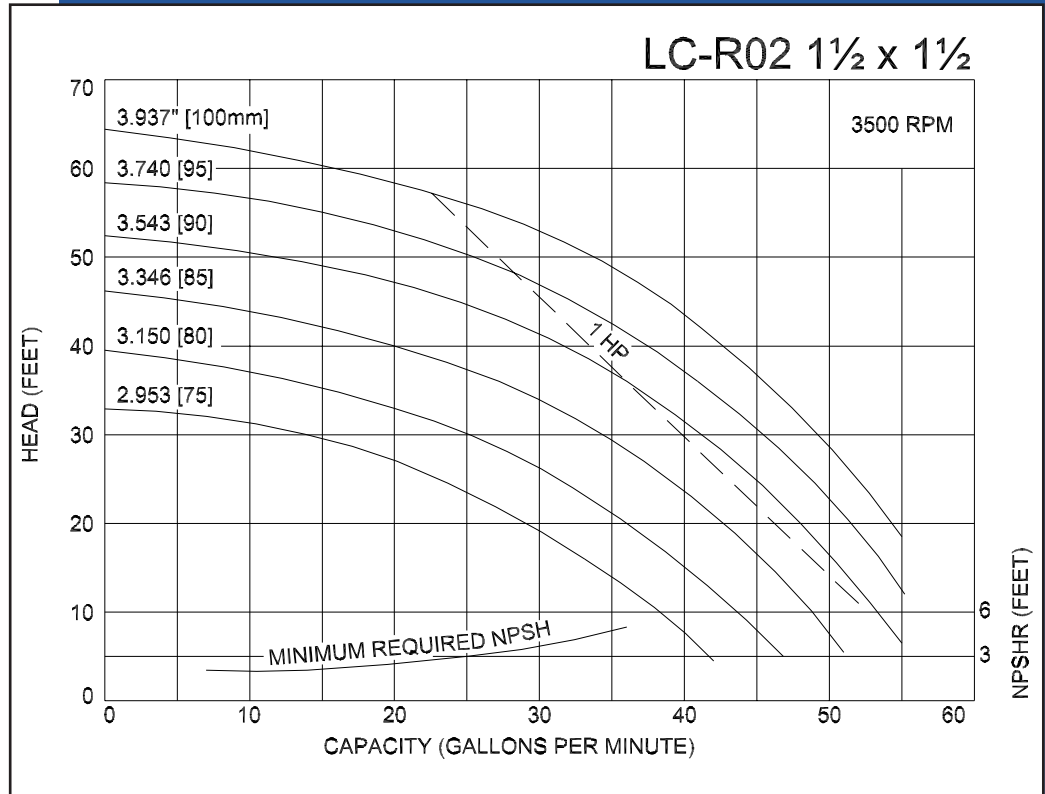


MODEL LC-R01 1 1/2 X 1 1/2
 MODEL LC-R02 1 1/2 X 1 1/2

Ampco Centrifugal Pumps

Curves show approximate characteristics based on clear 68° water.
 Rated point is guaranteed.

LC-Series pumps have standard stainless steel adapters and silicon carbide vs. carbon seals.



LC pumps are in conformance with 3A sanitary standards for centrifugal and positive rotary pumps for milk and milk products, Number 02-09.

LC-Series pumps have a standard 32RA (150 grit) finish, on all product contact surfaces.

**Ampco
Pumps
Company**

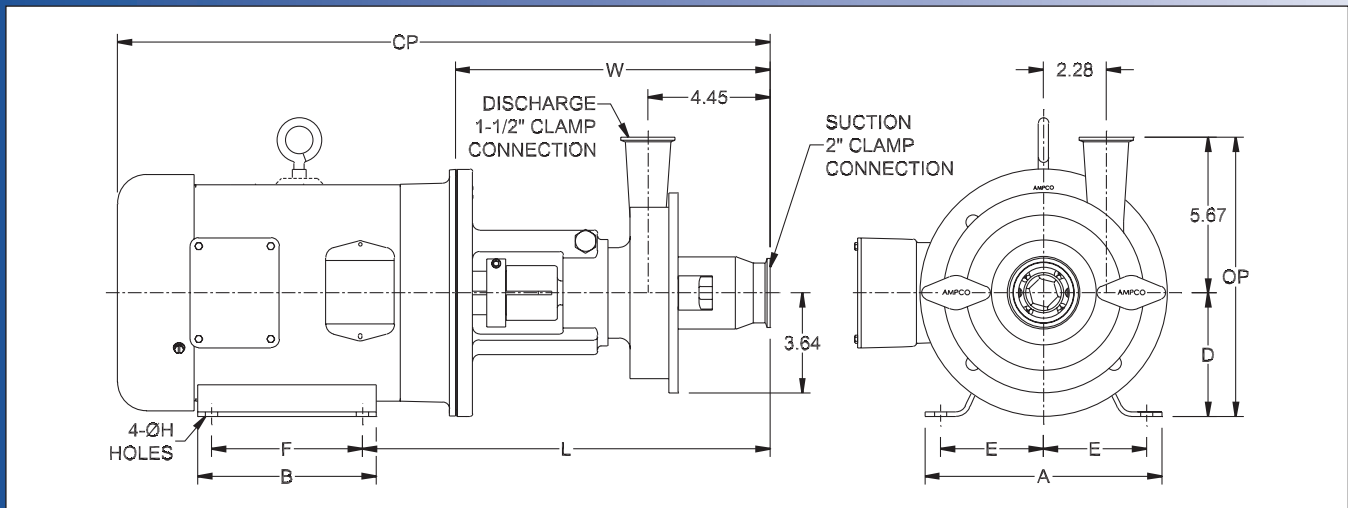
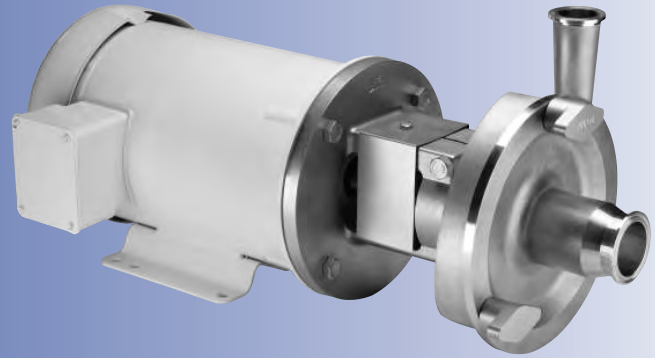


CSI
 417.831.1411
 csidesigns.com

Ampco Centrifugal Pumps

DATA SHEET

MODEL LC-R11 2X1 1/2
MODEL LC-R12 2X1 1/2



| TEFC MOTOR | | | DIMENSIONS IN INCHES (For Reference Only) | | | | | | | | | | APPROX WEIGHT (LBS) |
|------------|------|-------|---|---------|-------|-------|-------|-------|-------|-------|-------|-------|---------------------|
| HP | RPM | FRAME | A (typ) | B (typ) | D | E | F | ØH | L | W | CP | OP | |
| 1 | 1750 | 143TC | 6-1/2 | 6 | 3-1/2 | 2-3/4 | 4 | 11/32 | 13.37 | 10.62 | 21.68 | 9.17 | 70 |
| 2 | 3500 | 145TC | 6-1/2 | 6 | 3-1/2 | 2-3/4 | 5 | 11/32 | 13.37 | 10.62 | 21.68 | 9.17 | 78 |
| 3 | 3500 | 182TC | 8-5/8 | 6-1/2 | 4-1/2 | 3-3/4 | 4-1/2 | 13/32 | 14.93 | 10.43 | 23.74 | 10.17 | 97 |
| 5 | 3500 | 184TC | 8-5/8 | 6-1/2 | 4-1/2 | 3-3/4 | 5-1/2 | 13/32 | 14.93 | 10.43 | 25.11 | 10.17 | 111 |

MATERIAL SPECIFICATIONS

| PART NAME | STAINLESS STEEL |
|--------------------------|-----------------|
| Casing, Cover & Impeller | 316L Stainless |
| Stub Shaft | 316L Stainless |
| Adapter | 304 Stainless |



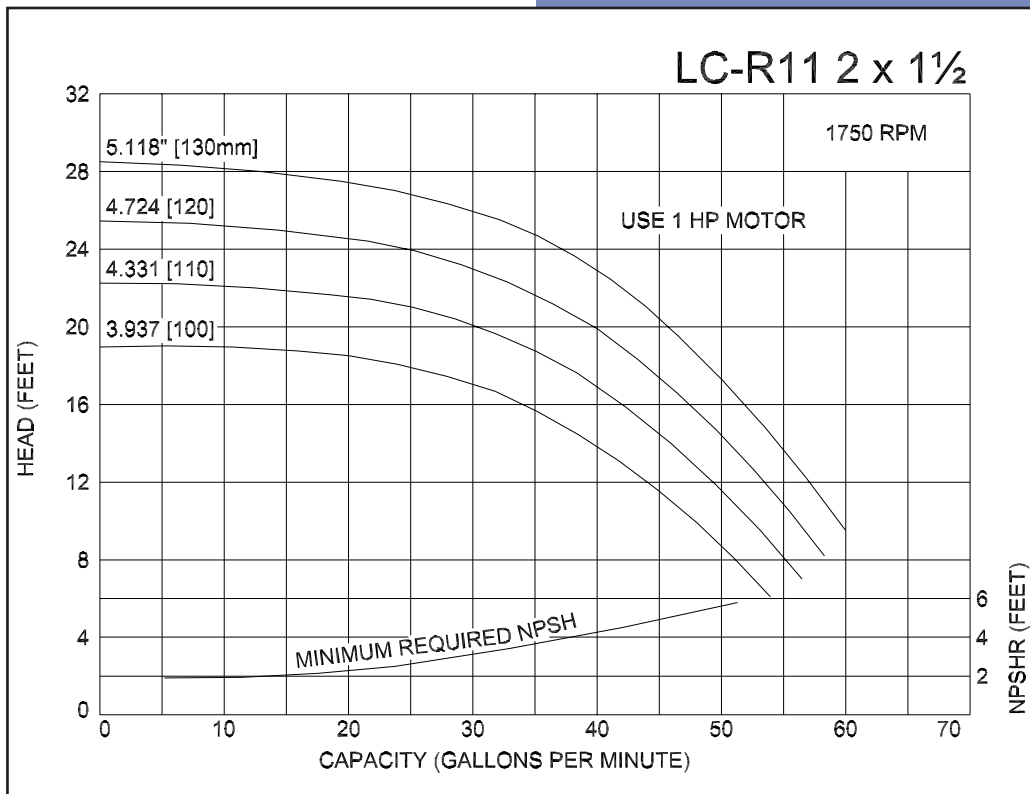
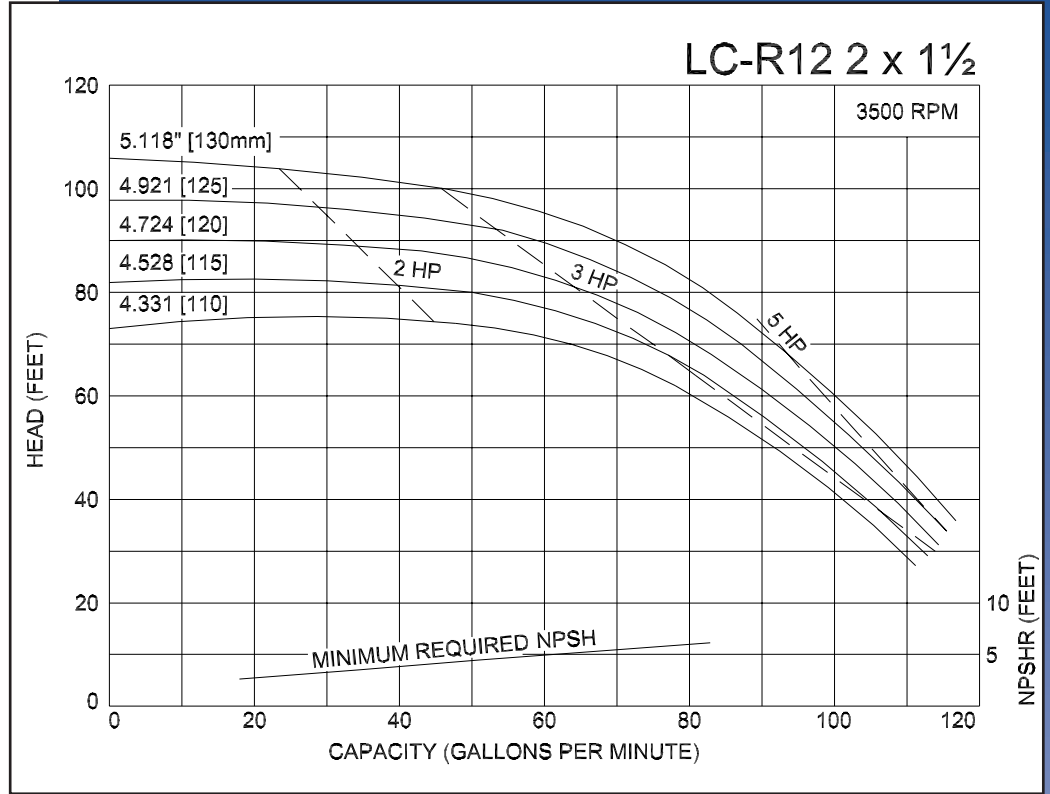
CSI
417.831.1411
csidesigns.com

MODEL LC-R11 2X1½
 MODEL LC-R12 2X1½

Ampco Centrifugal Pumps

Curves show approximate characteristics based on clear 68° water.
 Rated point is guaranteed.

LC-Series pumps have standard stainless steel adapters and silicon carbide vs. carbon seals.



LC pumps are in conformance with 3A sanitary standards for centrifugal and positive rotary pumps for milk and milk products, Number 02-09.

LC-Series pumps have a standard 32RA (150 grit) finish, on all product contact surfaces.

**Ampco
 Pumps
 Company**

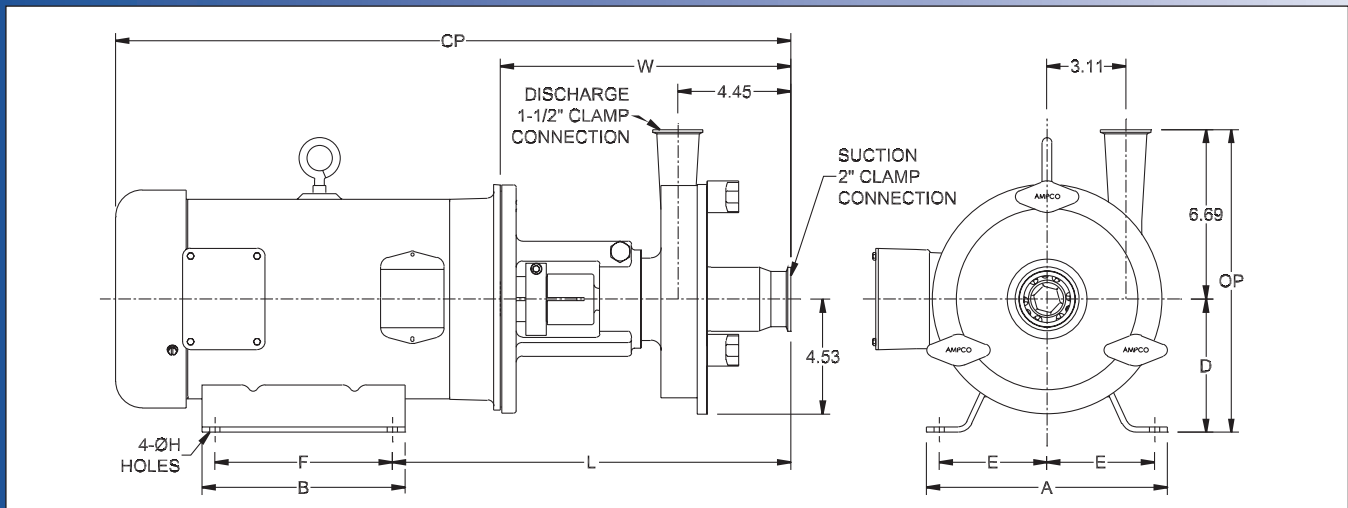
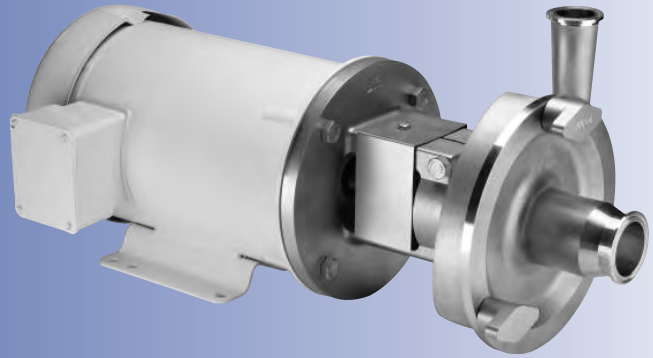


CSI
 417.831.1411
 csidesigns.com

Ampco Centrifugal Pumps

DATA SHEET

MODEL LC-R21 2X1 1/2
MODEL LC-R22 2X1 1/2



| TEFC MOTOR | | | DIMENSIONS IN INCHES (For Reference Only) | | | | | | | | | | APPROX WEIGHT (LBS) |
|------------|------|-------|---|---------|-------|-------|-------|-------|-------|-------|-------|-------|---------------------|
| HP | RPM | FRAME | A (typ) | B (typ) | D | E | F | ØH | L | W | CP | OP | |
| 1 | 1750 | 143TC | 6-1/2 | 6 | 3-1/2 | 2-3/4 | 4 | 11/32 | 13.37 | 10.62 | 21.68 | 10.19 | 77 |
| 1-1/2 | 1750 | 145TC | 6-1/2 | 6 | 3-1/2 | 2-3/4 | 5 | 11/32 | 13.37 | 10.62 | 21.68 | 10.19 | 83 |
| 3 | 3500 | 182TC | 8-5/8 | 6-1/2 | 4-1/2 | 3-3/4 | 4-1/2 | 13/32 | 14.93 | 11.43 | 23.74 | 11.19 | 104 |
| 5 | 3500 | 184TC | 8-5/8 | 6-1/2 | 4-1/2 | 3-3/4 | 5-1/2 | 13/32 | 14.93 | 11.43 | 25.11 | 11.19 | 118 |
| 7-1/2 | 3500 | 184TC | 8-5/8 | 6-1/2 | 4-1/2 | 3-3/4 | 5-1/2 | 13/32 | 14.93 | 11.43 | 26.61 | 11.19 | 136 |
| 10 | 3500 | 215TC | 9-1/2 | 8 | 5-1/4 | 4-1/4 | 7 | 13/32 | 15.68 | 11.43 | 26.70 | 11.94 | 170 |

MATERIAL SPECIFICATIONS

| PART NAME | STAINLESS STEEL |
|--------------------------|-----------------|
| Casing, Cover & Impeller | 316L Stainless |
| Stub Shaft | 316L Stainless |
| Adapter | 304 Stainless |



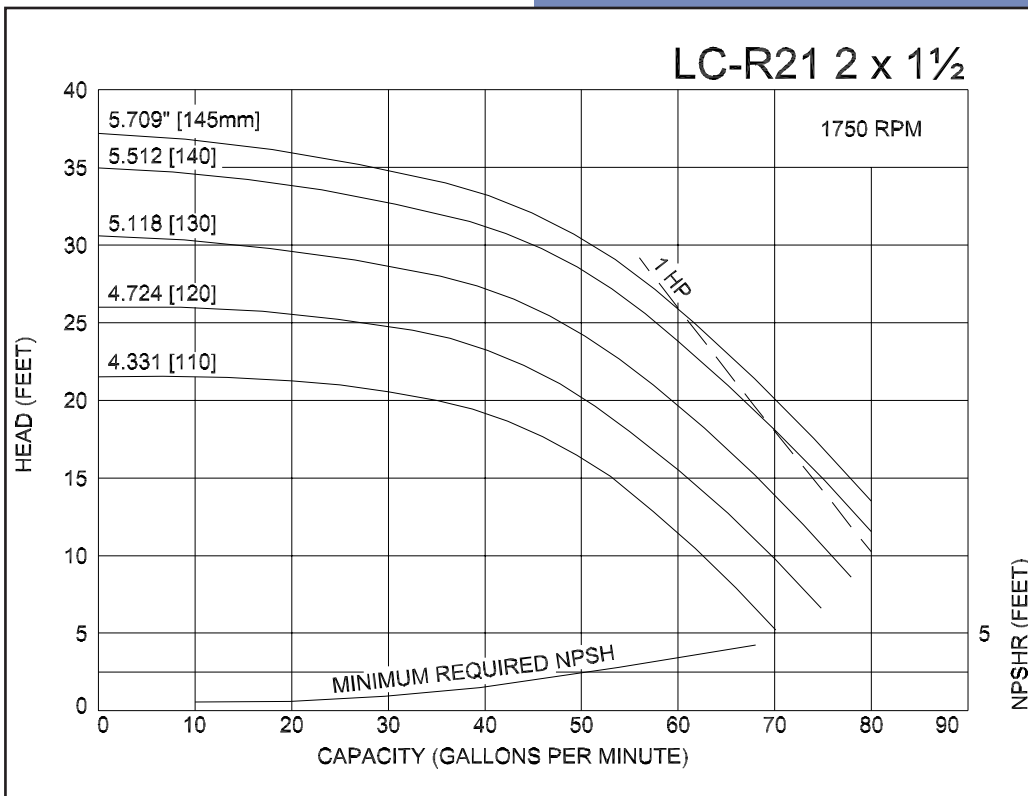
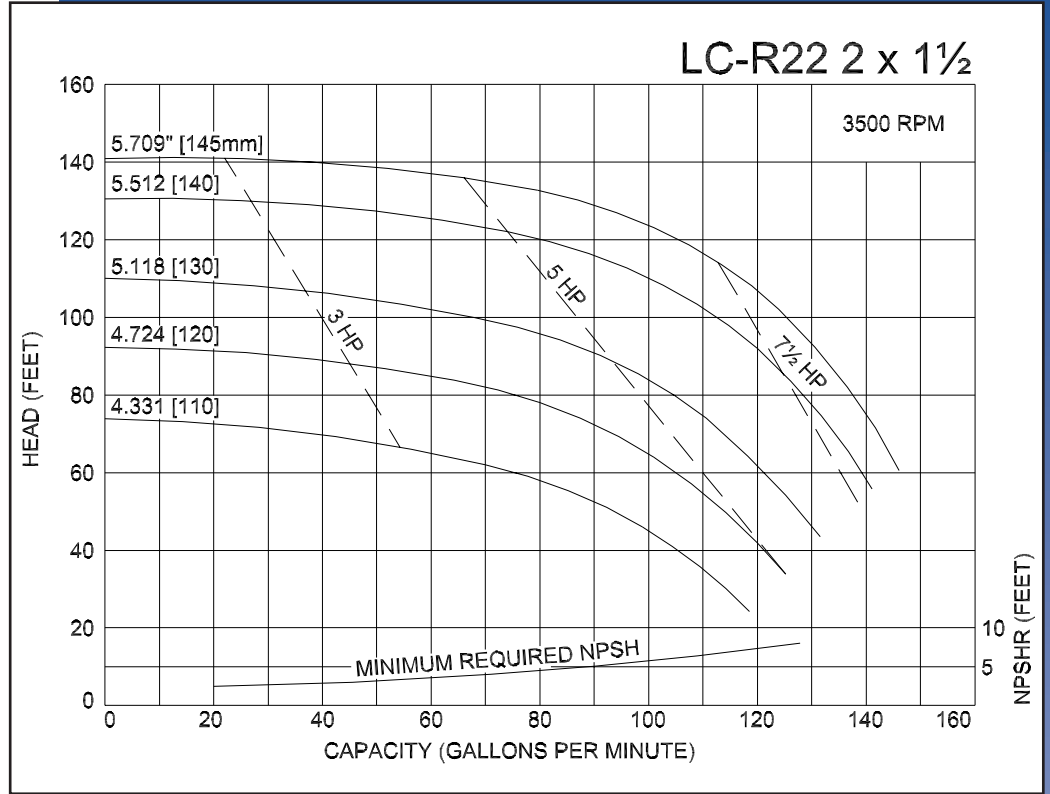
CSI
417.831.1411
csidesigns.com

MODEL LC-R21 2X1½
 MODEL LC-R22 2X1½

Ampco Centrifugal Pumps

Curves show approximate characteristics based on clear 68° water.
 Rated point is guaranteed.

LC-Series pumps have standard stainless steel adapters and silicon carbide vs. carbon seals.



LC pumps are in conformance with 3A sanitary standards for centrifugal and positive rotary pumps for milk and milk products, Number 02-09.

LC-Series pumps have a standard 32RA (150 grit) finish, on all product contact surfaces.

**Ampco
 Pumps
 Company**

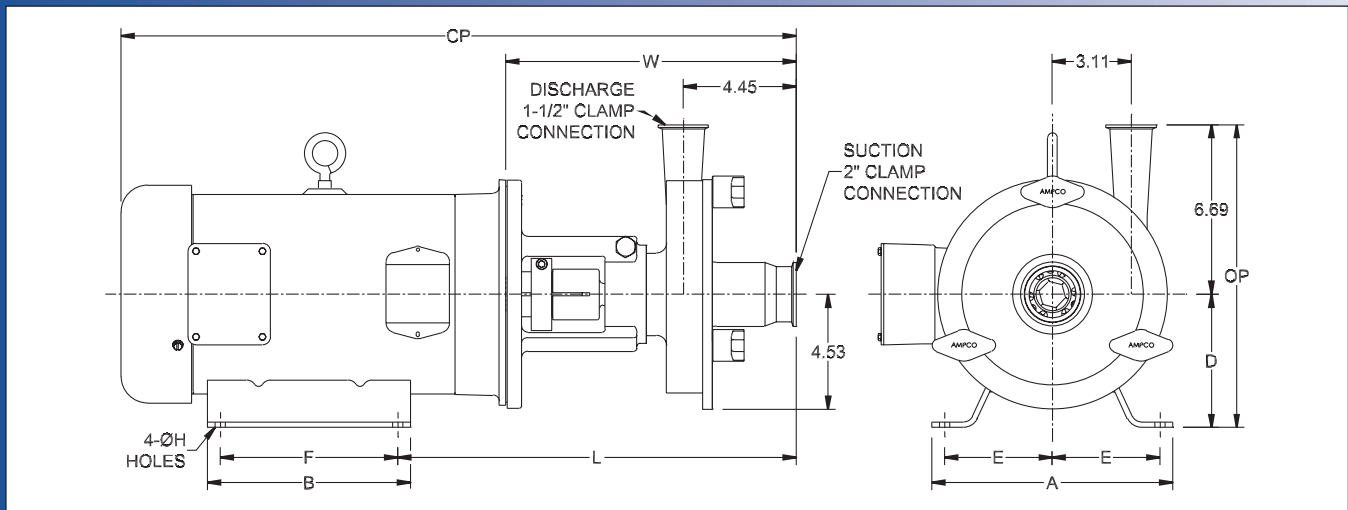
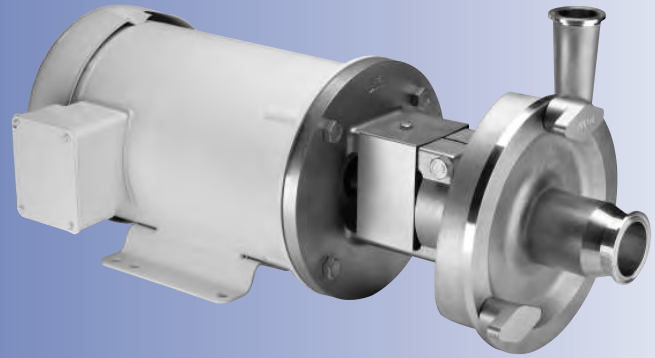


CSI
 417.831.1411
 csidesigns.com

Ampco Centrifugal Pumps

DATA SHEET

MODEL LC-R31 2X1 1/2



| TEFC MOTOR | | | DIMENSIONS IN INCHES (For Reference Only) | | | | | | | | | | APPROX WEIGHT (LBS) |
|------------|------|-------|---|---------|-------|-------|-------|-------|-------|-------|-------|-------|---------------------------|
| HP | RPM | FRAME | A (typ) | B (typ) | D | E | F | ØH | L | W | CP | OP | |
| 1 | 1750 | 143TC | 6-1/2 | 6 | 3-1/2 | 2-3/4 | 4 | 11/32 | 13.37 | 10.62 | 21.68 | 10.19 | 77 |
| 1-1/2 | 1750 | 145TC | 6-1/2 | 6 | 3-1/2 | 2-3/4 | 5 | 11/32 | 13.37 | 10.62 | 21.68 | 10.19 | 83 |
| 2 | 1750 | 145TC | 6-1/2 | 6 | 3-1/2 | 2-3/4 | 5 | 11/32 | 13.37 | 10.62 | 21.68 | 10.19 | 86 |
| 3 | 1750 | 182TC | 8-5/8 | 6-1/2 | 4-1/2 | 3-3/4 | 4-1/2 | 13/32 | 14.93 | 11.43 | 25.11 | 11.19 | 116 |

MATERIAL SPECIFICATIONS

| PART NAME | STAINLESS STEEL |
|--------------------------|-----------------|
| Casing, Cover & Impeller | 316L Stainless |
| Stub Shaft | 316L Stainless |
| Adapter | 304 Stainless |



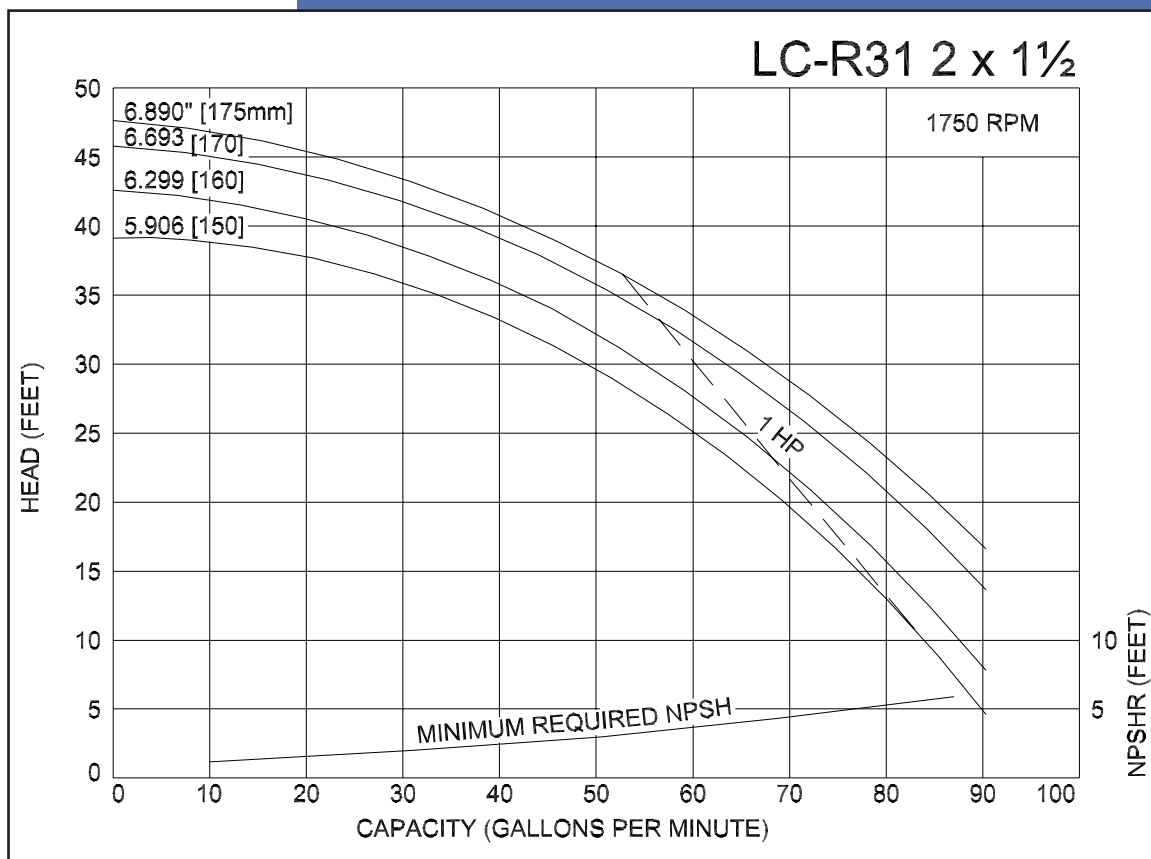
CSI
417.831.1411
csidesigns.com

Ampco Centrifugal Pumps

MODEL LC-R31 2X 1½

Curves show approximate characteristics based on clear 68° water.
Rated point is guaranteed.

LC-Series pumps have standard stainless steel adapters and silicon carbide vs. carbon seals.



LC pumps are in conformance with 3A sanitary standards for centrifugal and positive rotary pumps for milk and milk products, Number 02-09.

LC-Series pumps have a standard 32RA (150 grit) finish, on all product contact surfaces.



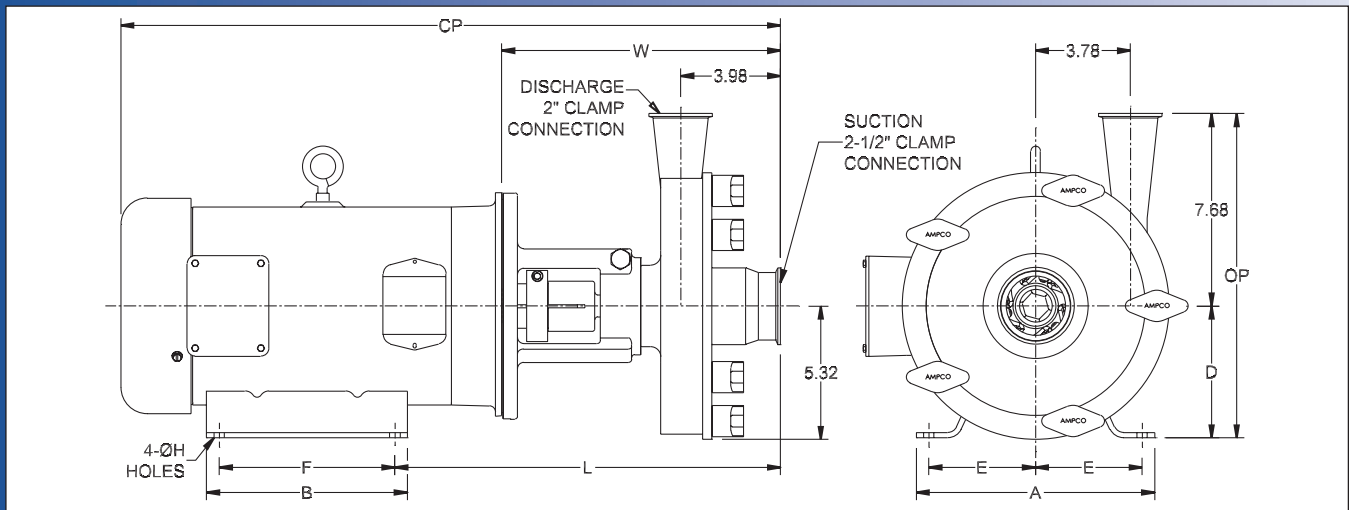
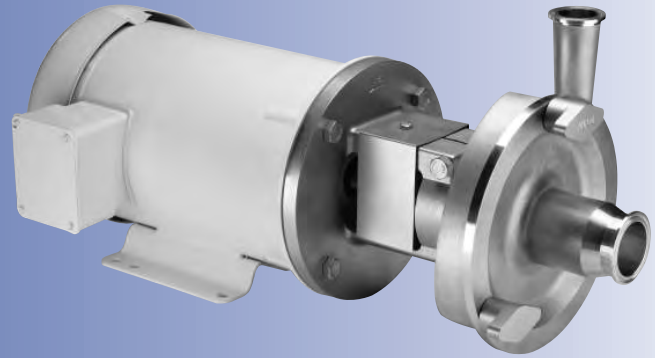
CSI

417.831.1411
csidesigns.com

Ampco Centrifugal Pumps

DATA SHEET

MODEL LC-R32 2 1/2 X 2



| TEFC MOTOR | | | DIMENSIONS IN INCHES (For Reference Only) | | | | | | | | | | APPROX WEIGHT (LBS) |
|------------|------|-------|---|---------|-------|-------|-------|-------|-------|-------|-------|-------|---------------------------|
| HP | RPM | FRAME | A (typ) | B (typ) | D | E | F | ØH | L | W | CP | OP | |
| 3 | 3500 | 182TC | 8-5/8 | 6-1/2 | 4-1/2 | 3-3/4 | 4-1/2 | 13/32 | 14.58 | 11.08 | 23.39 | 12.18 | 118 |
| 5 | 3500 | 184TC | 8-5/8 | 6-1/2 | 4-1/2 | 3-3/4 | 5-1/2 | 13/32 | 14.58 | 11.08 | 24.76 | 12.18 | 132 |
| 7-1/2 | 3500 | 184TC | 8-5/8 | 6-1/2 | 4-1/2 | 3-3/4 | 5-1/2 | 13/32 | 14.58 | 11.08 | 26.26 | 12.18 | 150 |
| 10 | 3500 | 215TC | 9-1/2 | 8 | 5-1/4 | 4-1/4 | 7 | 13/32 | 15.33 | 11.08 | 26.35 | 12.93 | 184 |
| 15 | 3500 | 215TC | 9-1/2 | 8 | 5-1/4 | 4-1/4 | 7 | 13/32 | 15.33 | 11.08 | 28.23 | 12.93 | 224 |

MATERIAL SPECIFICATIONS

| PART NAME | STAINLESS STEEL |
|--------------------------|-----------------|
| Casing, Cover & Impeller | 316L Stainless |
| Stub Shaft | 316L Stainless |
| Adapter | 304 Stainless |



CSI

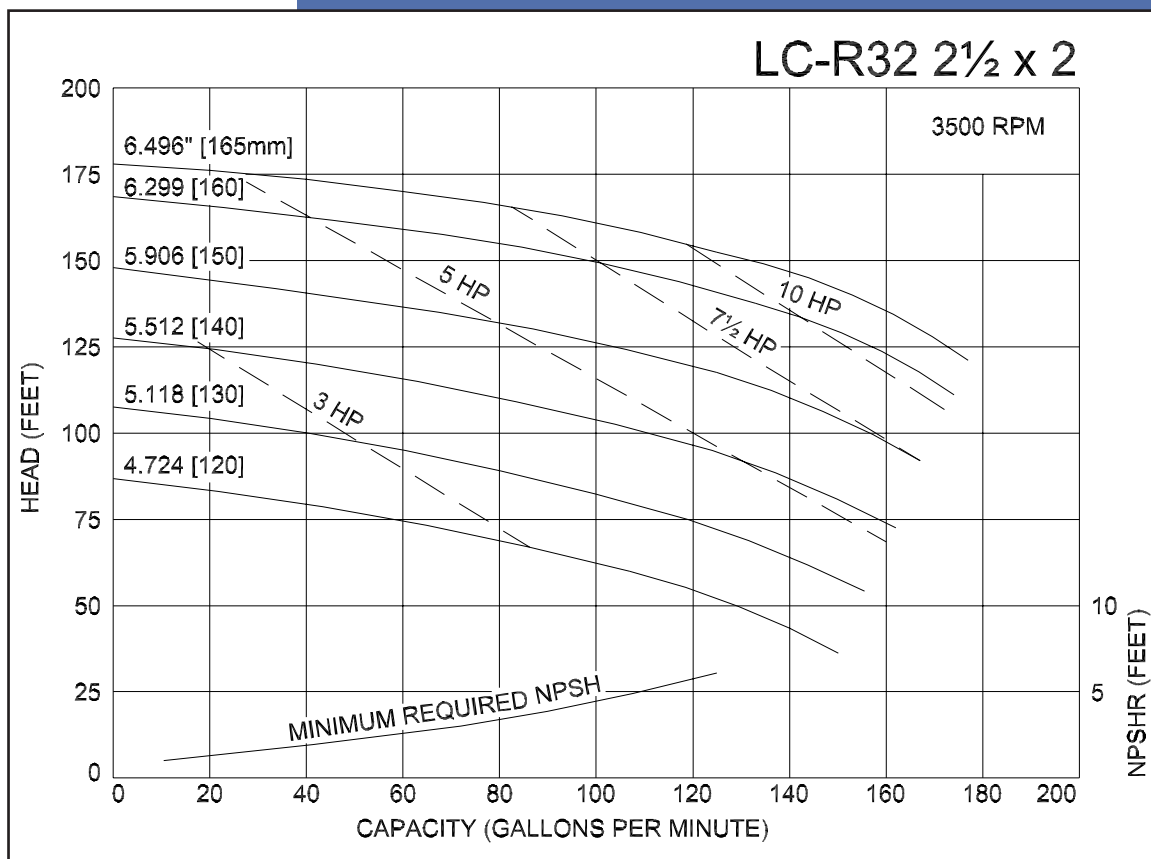
417.831.1411
csidesigns.com

Ampco Centrifugal Pumps

MODEL LC-R32 2½ X 2

Curves show approximate characteristics based on clear 68° water.
Rated point is guaranteed.

LC-Series pumps have standard stainless steel adapters and silicon carbide vs. carbon seals.



LC pumps are in conformance with 3A sanitary standards for centrifugal and positive rotary pumps for milk and milk products, Number 02-09.

LC-Series pumps have a standard 32RA (150 grit) finish, on all product contact surfaces.



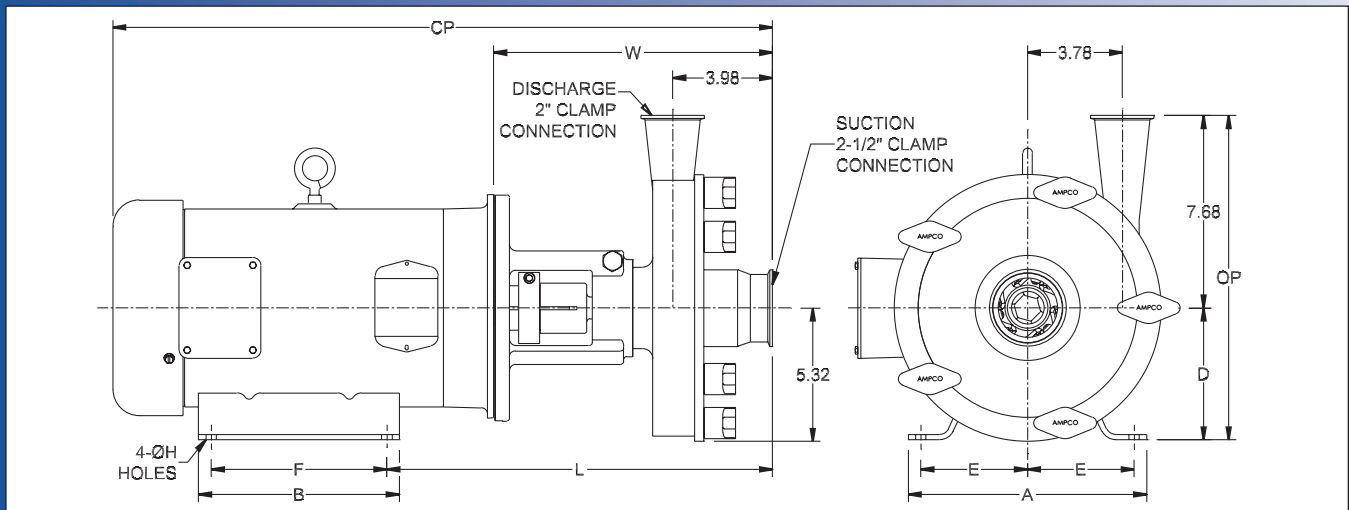
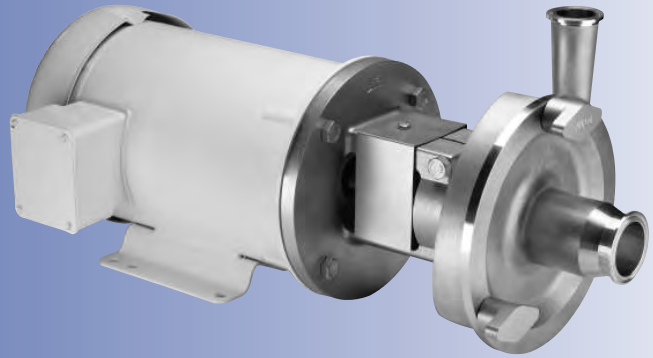
CSI

417.831.1411
csidesigns.com

Ampco Centrifugal Pumps

DATA SHEET

MODEL LC-R41 2 1/2 X 2
MODEL LC-R42 2 1/2 X 2



| TEFC MOTOR | | | DIMENSIONS IN INCHES (For Reference Only) | | | | | | | | | | APPROX WEIGHT (LBS) |
|------------|------|--------|---|---------|-------|-------|-------|-------|-------|-------|-------|-------|---------------------|
| HP | RPM | FRAME | A (typ) | B (typ) | D | E | F | ØH | L | W | CP | OP | |
| 1 | 1750 | 143TC | 6-1/2 | 6 | 3-1/2 | 2-3/4 | 4 | 11/32 | 13.02 | 10.27 | 21.33 | 11.18 | 91 |
| 1-1/2 | 1750 | 145TC | 6-1/2 | 6 | 3-1/2 | 2-3/4 | 5 | 11/32 | 13.02 | 10.27 | 21.33 | 11.18 | 97 |
| 2 | 1750 | 145TC | 6-1/2 | 6 | 3-1/2 | 2-3/4 | 5 | 11/32 | 13.02 | 10.27 | 21.33 | 11.18 | 100 |
| 3 | 1750 | 182TC | 8-5/8 | 6-1/2 | 4-1/2 | 3-3/4 | 4-1/2 | 13/32 | 14.58 | 11.08 | 24.77 | 12.18 | 130 |
| 7-1/2 | 3500 | 184TC | 8-5/8 | 6-1/2 | 4-1/2 | 3-3/4 | 5-1/2 | 13/32 | 14.58 | 11.08 | 26.26 | 12.18 | 150 |
| 10 | 3500 | 215TC | 9-1/2 | 8 | 5-1/4 | 4-1/4 | 7 | 13/32 | 15.33 | 11.08 | 26.26 | 12.93 | 184 |
| 15 | 3500 | 215TC | 9-1/2 | 8 | 5-1/4 | 4-1/4 | 7 | 13/32 | 15.33 | 11.08 | 26.35 | 12.93 | 224 |
| 20 | 3500 | 256TC | 11-1/2 | 11-1/2 | 6-1/4 | 5 | 10 | 17/32 | 16.95 | 12.20 | 31.54 | 13.93 | 329 |
| 25 | 3500 | 284TSC | 12-3/4 | 12-3/4 | 7 | 5-1/2 | 9-1/2 | 17/32 | 18.27 | 13.52 | 36.65 | 14.68 | 447 |

MATERIAL SPECIFICATIONS

| PART NAME | STAINLESS STEEL |
|--------------------------|-----------------|
| Casing, Cover & Impeller | 316L Stainless |
| Stub Shaft | 316L Stainless |
| Adapter | 304 Stainless |



CSI
417.831.1411
csidesigns.com

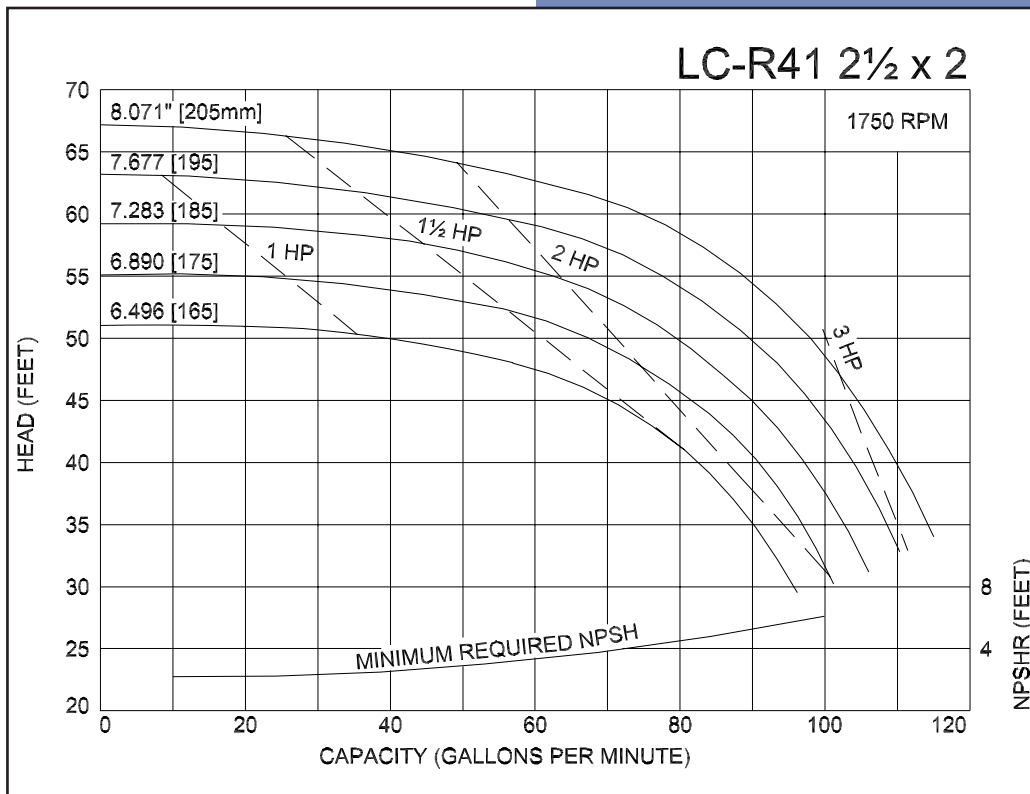
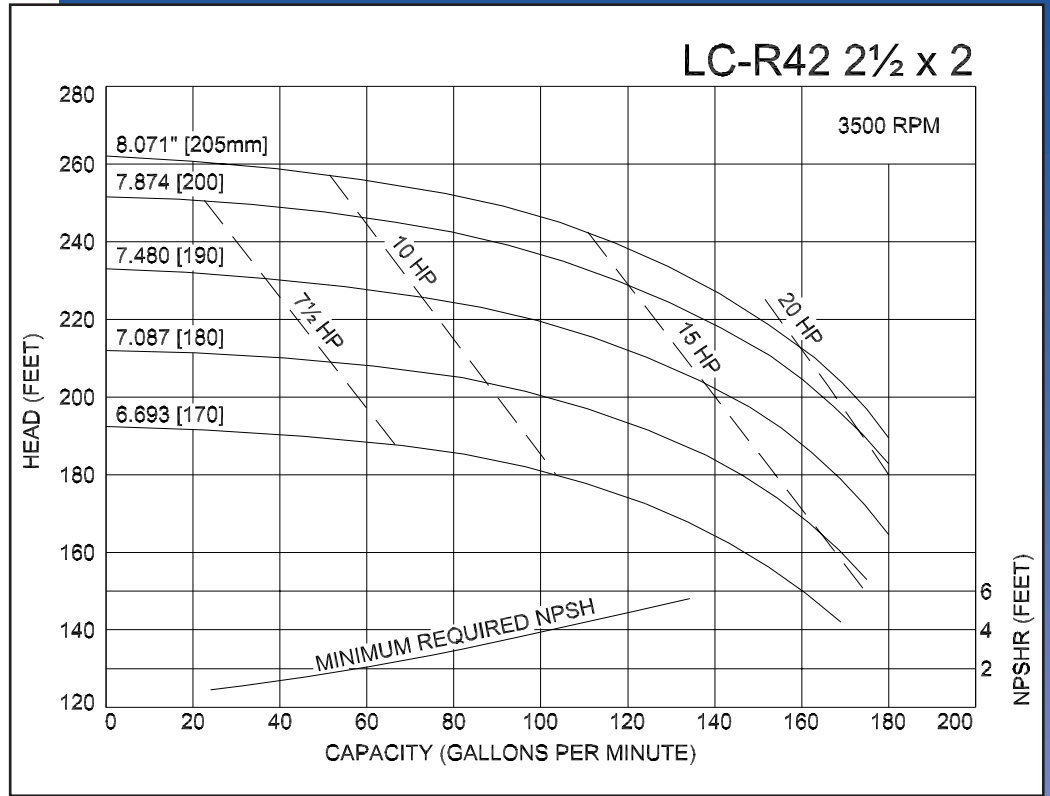


MODEL LC-R41 2½ X2
 MODEL LC-R42 2½ X2

Ampco Centrifugal Pumps

Curves show approximate characteristics based on clear 68° water. Rated point is guaranteed.

LC-Series pumps have standard stainless steel adapters and silicon carbide vs. carbon seals.



LC pumps are in conformance with 3A sanitary standards for centrifugal and positive rotary pumps for milk and milk products, Number 02-09.

LC-Series pumps have a standard 32RA (150 grit) finish, on all product contact surfaces.

**Ampco
Pumps
Company**



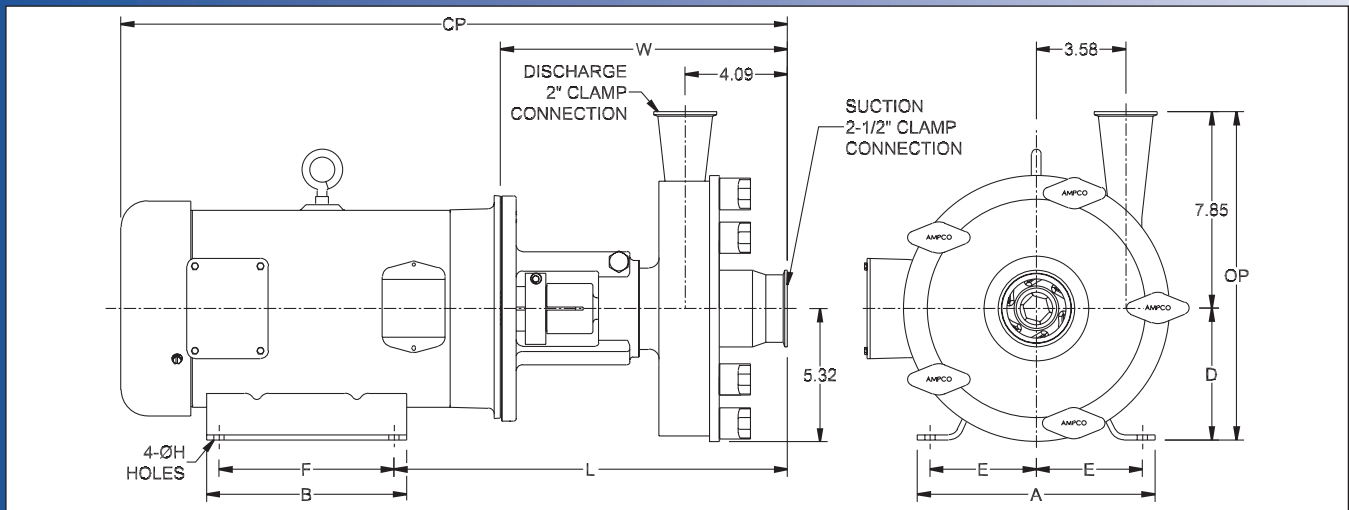
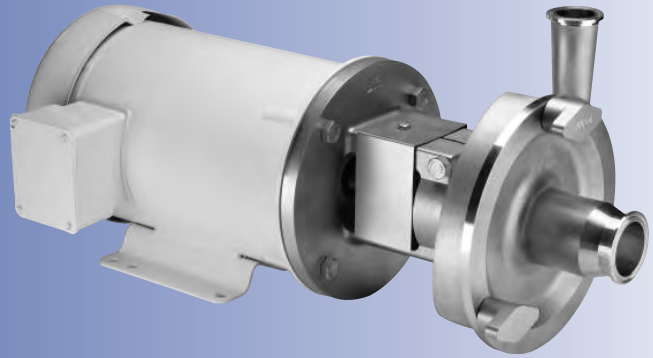
CSI

417.831.1411
 csidesigns.com

Ampco Centrifugal Pumps

DATA SHEET

MODEL LC-R132 2 1/2 X2



| TEFC MOTOR | | | DIMENSIONS IN INCHES (For Reference Only) | | | | | | | | | | APPROX WEIGHT (LBS) |
|------------|------|--------|---|---------|-------|-------|-------|-------|-------|-------|-------|-------|---------------------|
| HP | RPM | FRAME | A (typ) | B (typ) | D | E | F | ØH | L | W | CP | OP | |
| 7-1/2 | 3500 | 184TC | 8-5/8 | 6-1/2 | 4-1/2 | 3-3/4 | 5-1/2 | 13/32 | 14.96 | 11.46 | 26.64 | 12.37 | 160 |
| 10 | 3500 | 215TC | 9-1/2 | 8 | 5-1/4 | 4-1/4 | 7 | 13/32 | 15.71 | 11.46 | 26.73 | 13.12 | 190 |
| 15 | 3500 | 215TC | 9-1/2 | 8 | 5-1/4 | 4-1/4 | 7 | 13/32 | 15.71 | 11.46 | 28.61 | 13.12 | 232 |
| 20 | 3500 | 256TC | 11-1/2 | 11-1/2 | 6-1/4 | 5 | 10 | 17/32 | 17.33 | 12.58 | 31.92 | 14.12 | 335 |
| 25 | 3500 | 284TSC | 12-3/4 | 12-3/4 | 7 | 5-1/2 | 9-1/2 | 17/32 | 18.64 | 13.89 | 37.02 | 14.87 | 453 |
| 30 | 3500 | 286TSC | 12-3/4 | 12-3/4 | 7 | 5-1/2 | 11 | 17/32 | 18.64 | 13.89 | 37.02 | 14.87 | 475 |

MATERIAL SPECIFICATIONS

| PART NAME | STAINLESS STEEL |
|--------------------------|-----------------|
| Casing, Cover & Impeller | 316L Stainless |
| Stub Shaft | 316L Stainless |
| Adapter | 304 Stainless |



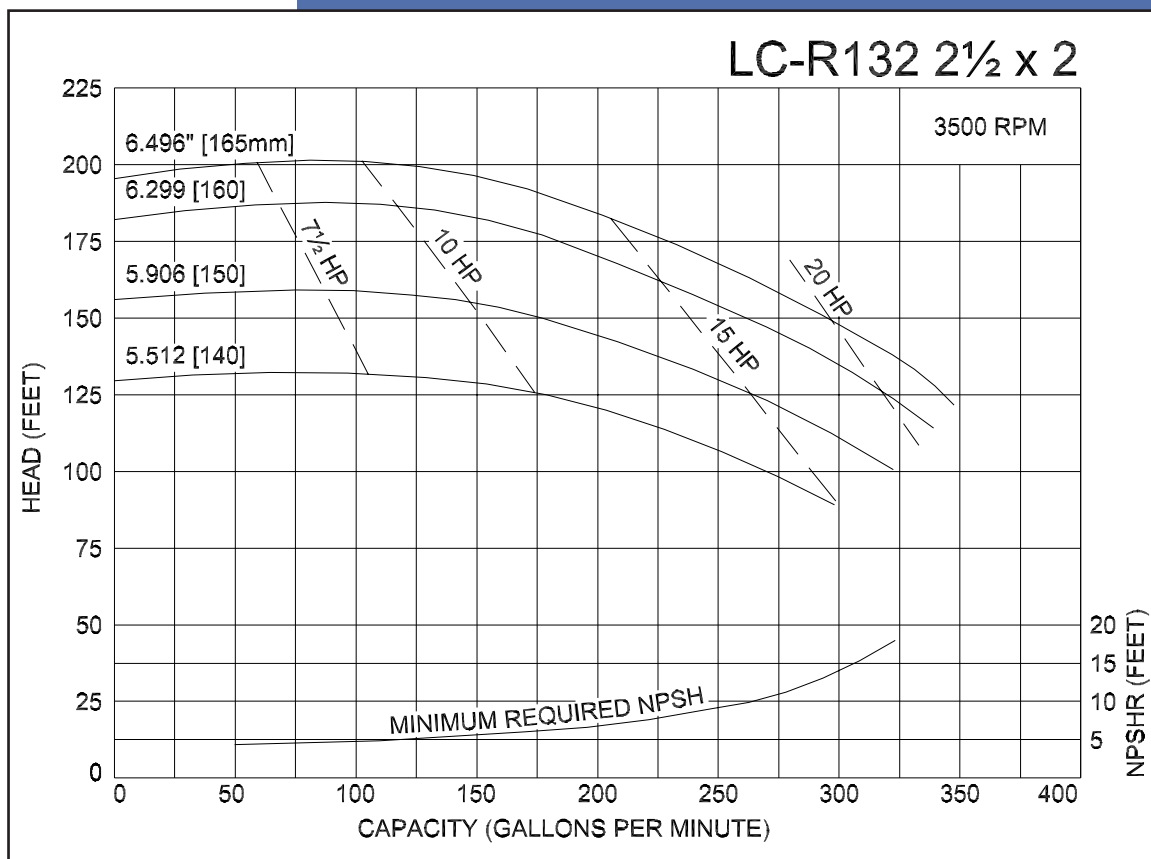
CSI
417.831.1411
csidesigns.com

Ampco Centrifugal Pumps

MODEL LC-R132 2½ X2

Curves show approximate characteristics based on clear 68° water.
Rated point is guaranteed.

LC-Series pumps have standard stainless steel adapters and silicon carbide vs. carbon seals.



LC pumps are in conformance with 3A sanitary standards for centrifugal and positive rotary pumps for milk and milk products, Number 02-09.

LC-Series pumps have a standard 32RA (150 grit) finish, on all product contact surfaces.



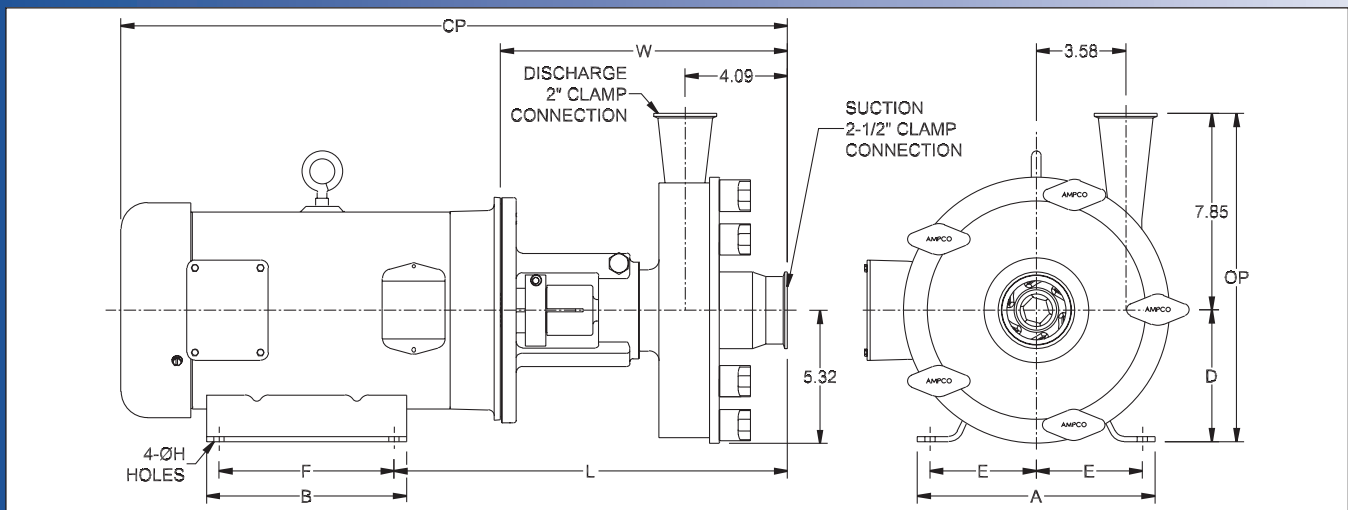
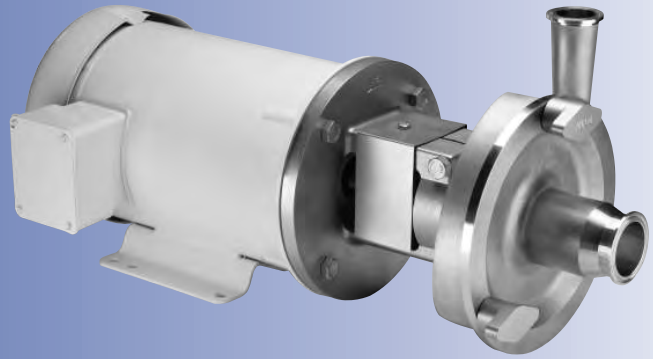
CSI

417.831.1411
csidesigns.com

Ampco Centrifugal Pumps

DATA SHEET

MODEL LC-R141 2 1/2 X2
MODEL LC-R142 2 1/2 X2



| TEFC MOTOR | | | DIMENSIONS IN INCHES (For Reference Only) | | | | | | | | | | APPROX WEIGHT (LBS) |
|------------|------|--------|---|---------|-------|-------|--------|-------|-------|-------|-------|-------|---------------------|
| HP | RPM | FRAME | A (typ) | B (typ) | D | E | F | ØH | L | W | CP | OP | |
| 1 | 1750 | 143TC | 6-1/2 | 6 | 3-1/2 | 2-3/4 | 4 | 11/32 | 13.40 | 10.65 | 21.71 | 11.37 | 101 |
| 1-1/2 | 1750 | 145TC | 6-1/2 | 6 | 3-1/2 | 2-3/4 | 5 | 11/32 | 13.40 | 10.65 | 21.71 | 11.37 | 107 |
| 2 | 1750 | 145TC | 6-1/2 | 6 | 3-1/2 | 2-3/4 | 5 | 11/32 | 13.40 | 10.65 | 21.71 | 11.37 | 110 |
| 3 | 1750 | 182TC | 8-5/8 | 6-1/2 | 4-1/2 | 3-3/4 | 4-1/2 | 13/32 | 14.96 | 11.46 | 25.15 | 12.37 | 137 |
| 5 | 1750 | 184TC | 8-5/8 | 6-1/2 | 4-1/2 | 3-3/4 | 5-1/2 | 13/32 | 14.96 | 11.46 | 25.77 | 12.37 | 144 |
| 7-1/2 | 1750 | 213TC | 9-1/2 | 8 | 5-1/4 | 4-1/4 | 5-1/2 | 13/32 | 15.71 | 11.46 | 26.64 | 13.12 | 161 |
| 10 | 3500 | 215TC | 9-1/2 | 8 | 5-1/4 | 4-1/4 | 7 | 13/32 | 15.71 | 11.46 | 26.73 | 13.12 | 191 |
| 15 | 3500 | 215TC | 9-1/2 | 8 | 5-1/4 | 4-1/4 | 7 | 13/32 | 15.71 | 11.46 | 26.73 | 13.12 | 233 |
| 20 | 3500 | 256TC | 11-1/2 | 11-1/2 | 6-1/4 | 5 | 10 | 17/32 | 17.33 | 12.58 | 28.61 | 14.12 | 336 |
| 25 | 3500 | 284TSC | 12-3/4 | 12-3/4 | 7 | 5-1/2 | 9-1/2 | 17/32 | 18.64 | 13.89 | 31.92 | 14.87 | 454 |
| 30 | 3500 | 286TSC | 12-3/4 | 12-3/4 | 7 | 5-1/2 | 11 | 17/32 | 18.64 | 13.89 | 37.02 | 14.87 | 476 |
| 40 | 3500 | 324TSC | 14-1/2 | 14 | 8 | 6-1/4 | 10-1/2 | 21/32 | 19.77 | 14.52 | 39.52 | 15.87 | 590 |
| 50 | 3500 | 326TSC | 14-1/2 | 14 | 8 | 6-1/4 | 12 | 21/32 | 19.77 | 14.52 | 39.52 | 15.87 | 699 |

MATERIAL SPECIFICATIONS

| PART NAME | STAINLESS STEEL |
|--------------------------|-----------------|
| Casing, Cover & Impeller | 316L Stainless |
| Stub Shaft | 316L Stainless |
| Adapter | 304 Stainless |



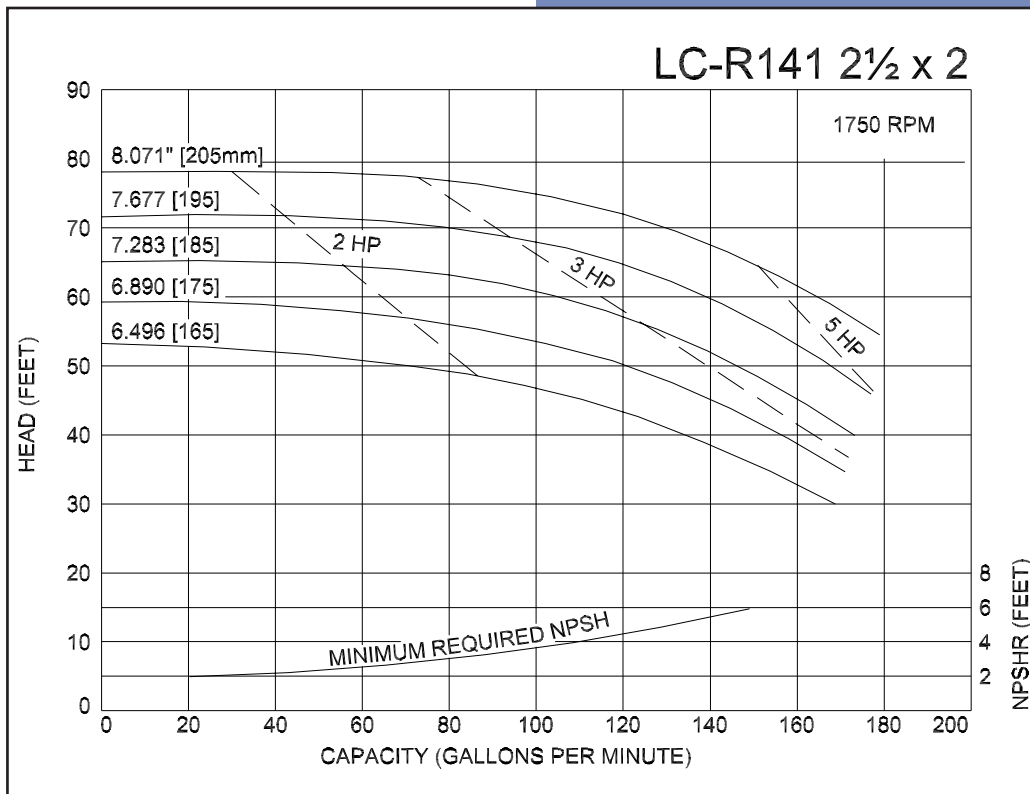
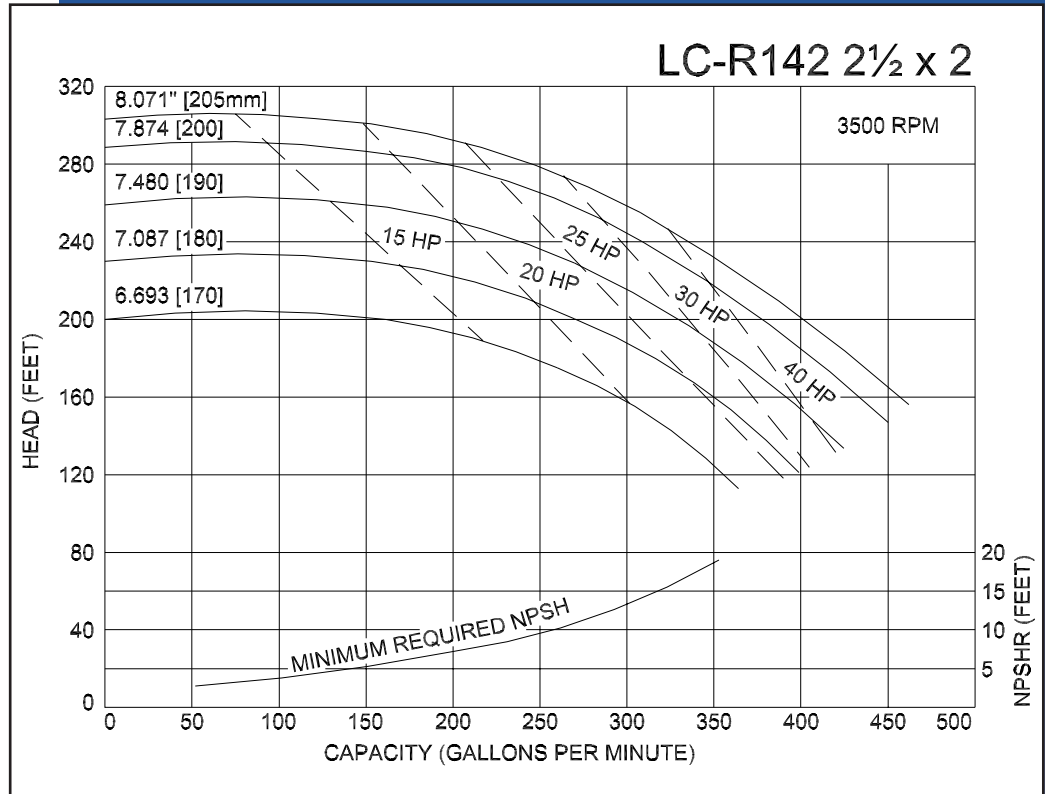
CSI
417.831.1411
csidesigns.com

Ampco Centrifugal Pumps

MODEL LC-R141 2½ X2
 MODEL LC-R142 2½ X2

Curves show approximate characteristics based on clear 68° water.
 Rated point is guaranteed.

LC-Series pumps have standard stainless steel adapters and silicon carbide vs. carbon seals.



LC pumps are in conformance with 3A sanitary standards for centrifugal and positive rotary pumps for milk and milk products, Number 02-09.

LC-Series pumps have a standard 32RA (150 grit) finish, on all product contact surfaces.

**Ampco
 Pumps
 Company**



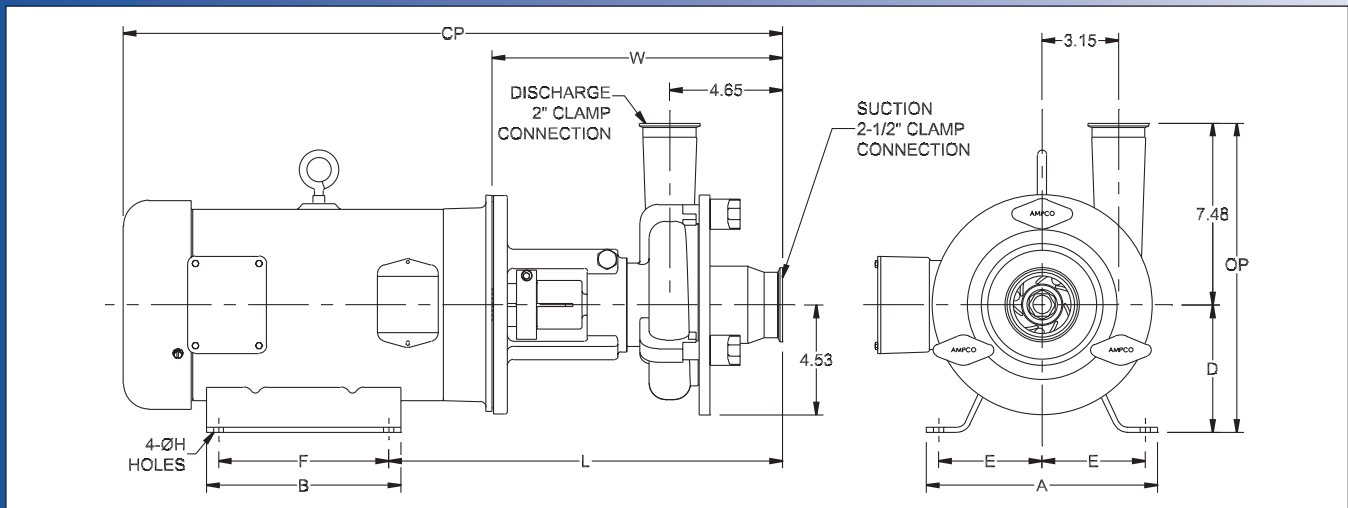
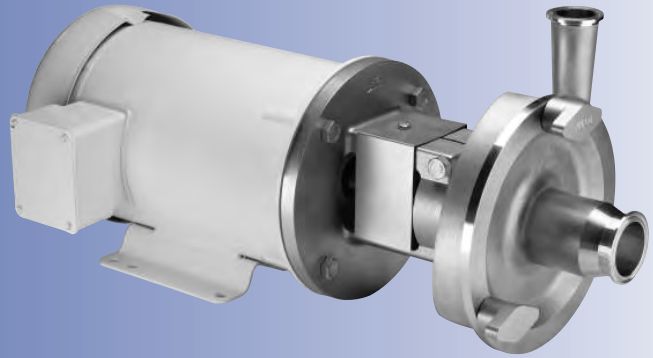
CSI

417.831.1411
 csidesigns.com

Ampco Centrifugal Pumps

DATA SHEET

MODEL LC-V521 2 1/2 X2
MODEL LC-V522 2 1/2 X2



| TEFC MOTOR | | | DIMENSIONS IN INCHES (For Reference Only) | | | | | | | | | | APPROX WEIGHT (LBS) |
|------------|------|-------|---|---------|-------|-------|-------|-------|-------|-------|-------|-------|---------------------|
| HP | RPM | FRAME | A (typ) | B (typ) | D | E | F | ØH | L | W | CP | OP | |
| 1 | 1750 | 143TC | 6-1/2 | 6 | 3-1/2 | 2-3/4 | 4 | 11/32 | 13.85 | 11.10 | 22.16 | 10.98 | 83 |
| 1-1/2 | 1750 | 145TC | 6-1/2 | 6 | 3-1/2 | 2-3/4 | 5 | 11/32 | 13.85 | 11.10 | 22.16 | 10.98 | 89 |
| 2 | 1750 | 145TC | 6-1/2 | 6 | 3-1/2 | 2-3/4 | 5 | 11/32 | 13.85 | 11.10 | 22.16 | 10.98 | 92 |
| 5 | 3500 | 184TC | 8-5/8 | 6-1/2 | 4-1/2 | 3-3/4 | 5-1/2 | 13/32 | 15.41 | 11.91 | 25.59 | 11.98 | 124 |
| 7-1/2 | 3500 | 184TC | 8-5/8 | 6-1/2 | 4-1/2 | 3-3/4 | 5-1/2 | 13/32 | 15.41 | 11.91 | 27.09 | 11.98 | 142 |
| 10 | 3500 | 215TC | 9-1/2 | 8 | 5-1/4 | 4-1/4 | 7 | 13/32 | 16.16 | 11.91 | 27.18 | 12.73 | 176 |
| 15 | 3500 | 215TC | 9-1/2 | 8 | 5-1/4 | 4-1/4 | 7 | 13/32 | 16.16 | 11.91 | 29.06 | 12.73 | 216 |

MATERIAL SPECIFICATIONS

| PART NAME | STAINLESS STEEL |
|--------------------------|-----------------|
| Casing, Cover & Impeller | 316L Stainless |
| Stub Shaft | 316L Stainless |
| Adapter | 304 Stainless |



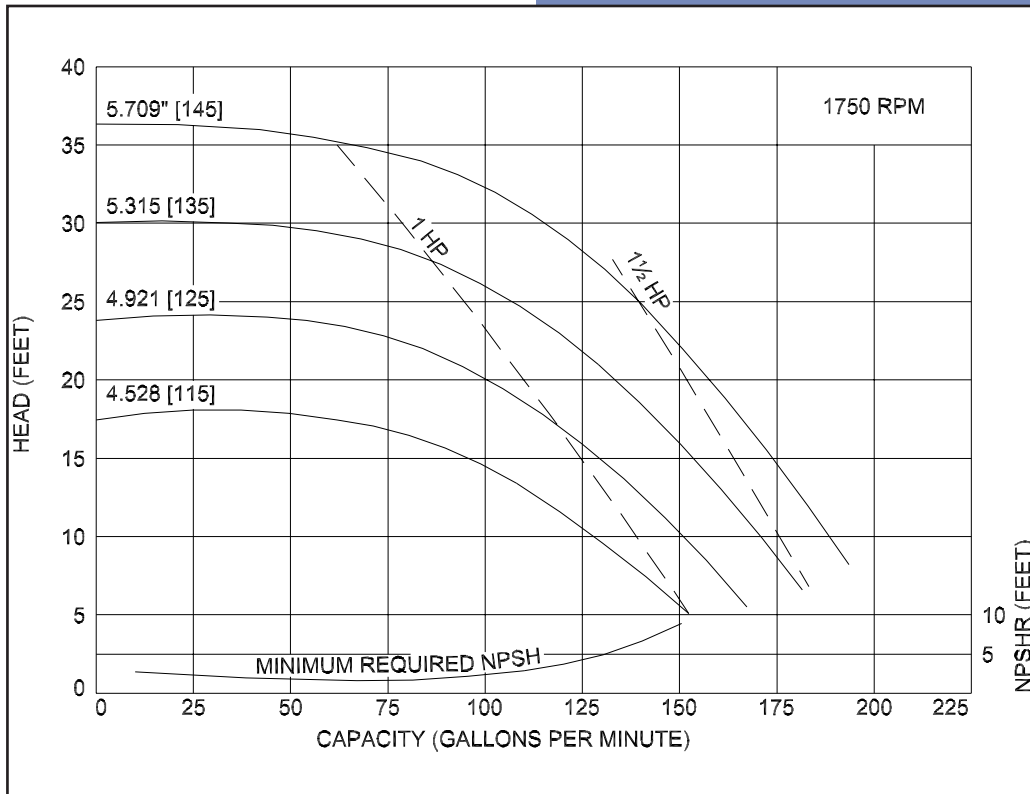
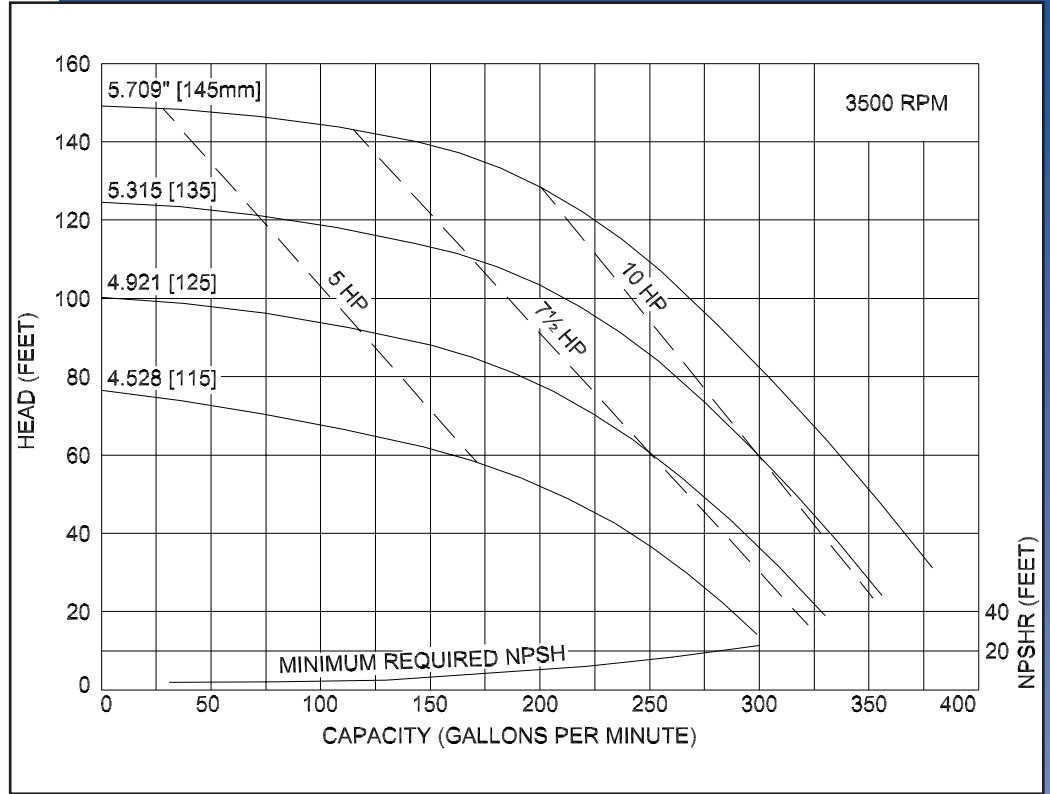
CSI
417.831.1411
csidesigns.com

Ampco Centrifugal Pumps

MODEL LC-V521 2½X2
 MODEL LC-V522 2½X2

Curves show approximate characteristics based on clear 68° water.
 Rated point is guaranteed.

LC-Series pumps have standard stainless steel adapters and silicon carbide vs. carbon seals.



LC pumps are in conformance with 3A sanitary standards for centrifugal and positive rotary pumps for milk and milk products, Number 02-09.

LC-Series pumps have a standard 32RA (150 grit) finish, on all product contact surfaces.

**Ampco
 Pumps
 Company**



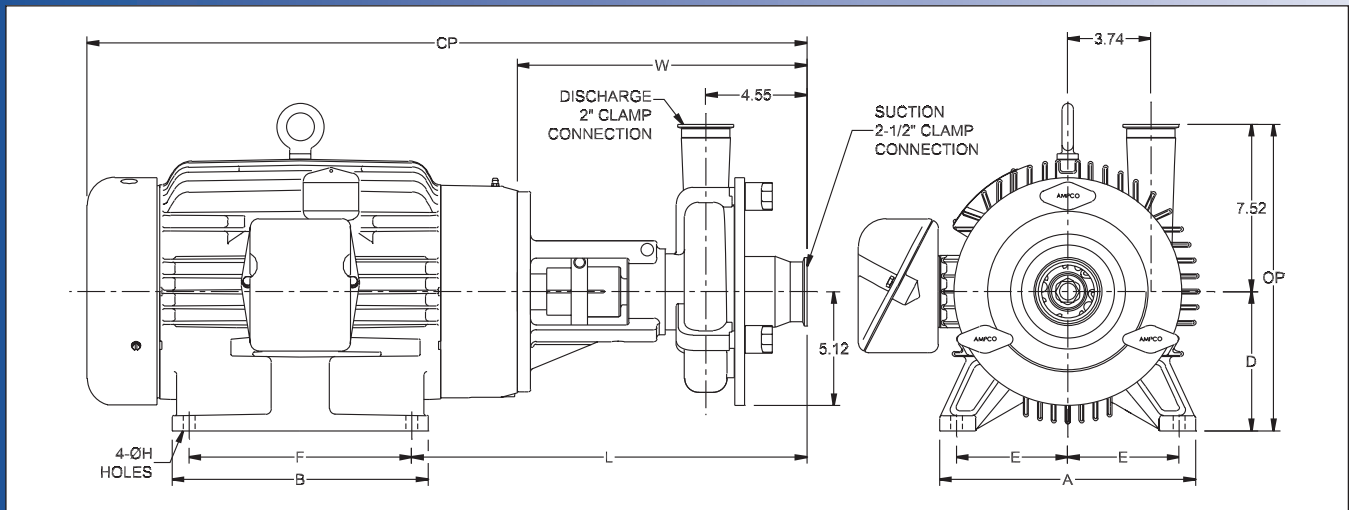
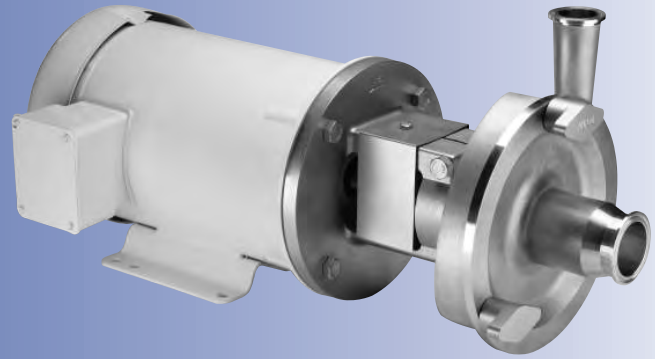
CSI

417.831.1411
 csidesigns.com

Ampco Centrifugal Pumps

DATA SHEET

MODEL LC-V531 2 1/2 X 2
MODEL LC-V532 2 1/2 X 2



| TEFC MOTOR | | | DIMENSIONS IN INCHES (For Reference Only) | | | | | | | | | | APPROX WEIGHT (LBS) |
|------------|------|--------|---|---------|-------|-------|-------|-------|-------|-------|-------|-------|---------------------|
| HP | RPM | FRAME | A (typ) | B (typ) | D | E | F | ØH | L | W | CP | OP | |
| 1 | 1750 | 143TC | 6-1/2 | 6 | 3-1/2 | 2-3/4 | 4 | 11/32 | 13.85 | 11.10 | 22.16 | 11.02 | 89 |
| 1-1/2 | 1750 | 145TC | 6-1/2 | 6 | 3-1/2 | 2-3/4 | 5 | 11/32 | 13.85 | 11.10 | 22.16 | 11.02 | 95 |
| 2 | 1750 | 145TC | 6-1/2 | 6 | 3-1/2 | 2-3/4 | 5 | 11/32 | 13.85 | 11.10 | 22.16 | 11.02 | 98 |
| 3 | 1750 | 182TC | 8-5/8 | 6-1/2 | 4-1/2 | 3-3/4 | 4-1/2 | 13/32 | 15.41 | 11.91 | 25.60 | 12.02 | 128 |
| 5 | 1750 | 184TC | 8-5/8 | 6-1/2 | 4-1/2 | 3-3/4 | 5-1/2 | 13/32 | 15.41 | 11.91 | 27.09 | 12.02 | 135 |
| 5 | 3500 | 184TC | 8-5/8 | 6-1/2 | 4-1/2 | 3-3/4 | 5-1/2 | 13/32 | 15.41 | 11.91 | 25.59 | 12.02 | 185 |
| 7-1/2 | 3500 | 184TC | 8-5/8 | 6-1/2 | 4-1/2 | 3-3/4 | 5-1/2 | 13/32 | 15.41 | 11.91 | 27.09 | 12.02 | 195 |
| 10 | 3500 | 215TC | 9-1/2 | 8 | 5-1/4 | 4-1/4 | 7 | 13/32 | 16.16 | 11.91 | 27.18 | 12.77 | 310 |
| 15 | 3500 | 215TC | 9-1/2 | 8 | 5-1/4 | 4-1/4 | 7 | 13/32 | 16.16 | 11.91 | 29.06 | 12.77 | 331 |
| 20 | 3500 | 256TC | 11-1/2 | 11-1/2 | 6-1/4 | 5 | 10 | 17/32 | 17.78 | 13.03 | 32.37 | 13.77 | 458 |
| 25 | 3500 | 284TSC | 12-3/4 | 12-3/4 | 7 | 5-1/2 | 9-1/2 | 17/32 | 19.10 | 14.35 | 37.48 | 14.52 | 469 |

MATERIAL SPECIFICATIONS

| PART NAME | STAINLESS STEEL |
|--------------------------|-----------------|
| Casing, Cover & Impeller | 316L Stainless |
| Stub Shaft | 316L Stainless |
| Adapter | 304 Stainless |



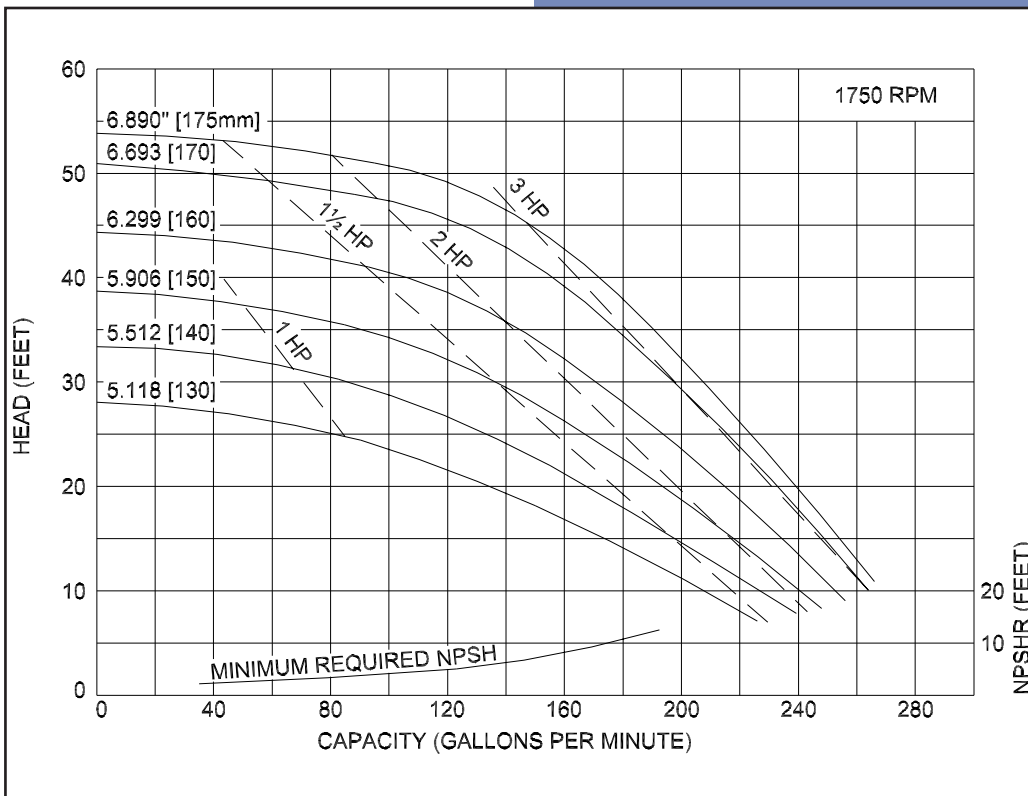
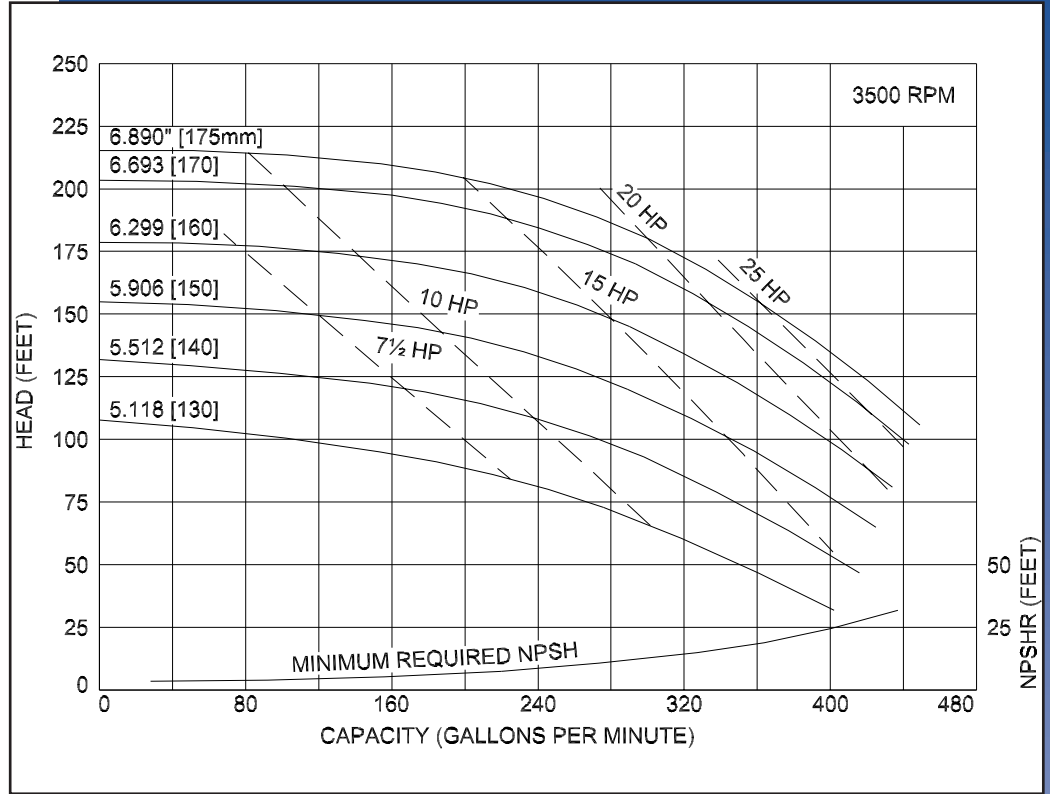
CSI
417.831.1411
csidesigns.com

Ampco Centrifugal Pumps

MODEL LC-V531 2 1/2 X2
 MODEL LC-V532 2 1/2 X2

Curves show approximate characteristics based on clear 68° water. Rated point is guaranteed.

LC-Series pumps have standard stainless steel adapters and silicon carbide vs. carbon seals.



LC pumps are in conformance with 3A sanitary standards for centrifugal and positive rotary pumps for milk and milk products, Number 02-09.

LC-Series pumps have a standard 32RA (150 grit) finish, on all product contact surfaces.

**Ampco
 Pumps
 Company**

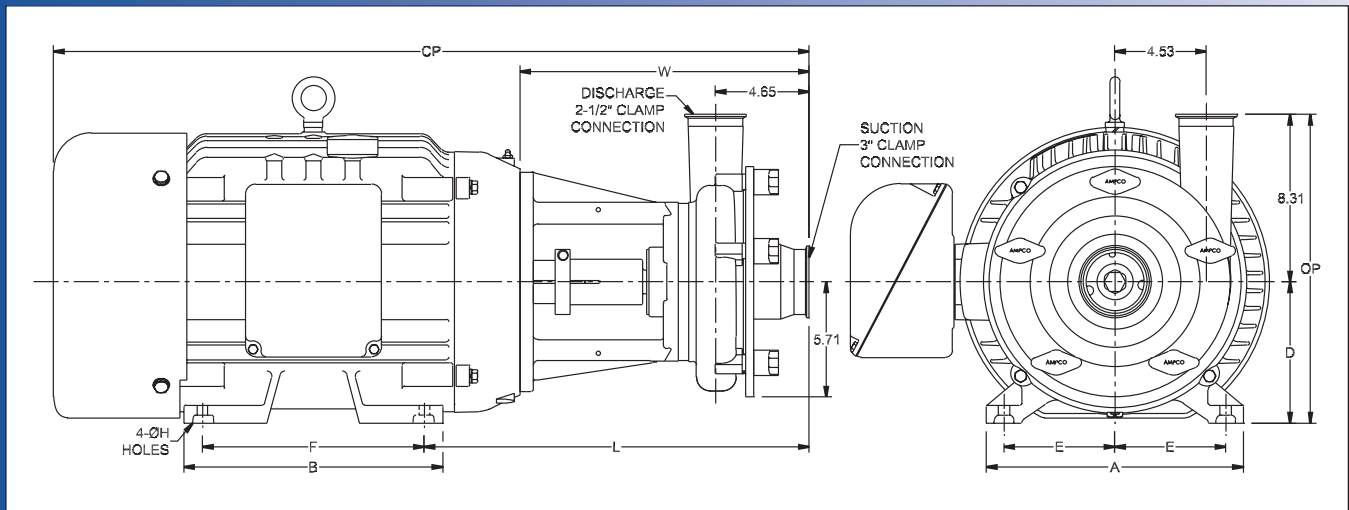
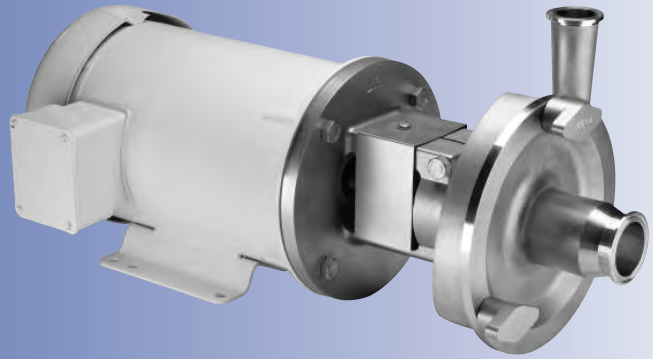


CSI
 417.831.1411
 csidesigns.com

Ampco Centrifugal Pumps

DATA SHEET

MODEL LC-V541 3X2¹/₂
MODEL LC-V542 3X2¹/₂



| TEFC MOTOR | | | DIMENSIONS IN INCHES (For Reference Only) | | | | | | | | | | APPROX WEIGHT (LBS) |
|------------|------|--------|---|---------|-------|-------|--------|-------|-------|-------|-------|-------|---------------------|
| HP | RPM | FRAME | A (typ) | B (typ) | D | E | F | ØH | L | W | CP | OP | |
| 2 | 1750 | 145TC | 6-1/2 | 6 | 3-1/2 | 2-3/4 | 5 | 11/32 | 13.85 | 11.10 | 22.16 | 11.81 | 114 |
| 3 | 1750 | 182TC | 8-5/8 | 6-1/2 | 4-1/2 | 2-3/4 | 4-1/2 | 13/32 | 15.41 | 11.91 | 25.60 | 12.81 | 144 |
| 5 | 1750 | 184TC | 8-5/8 | 6-1/2 | 4-1/2 | 3-3/4 | 5-1/2 | 13/32 | 15.41 | 11.91 | 27.09 | 12.81 | 151 |
| 7-1/2 | 1750 | 213TC | 9-1/2 | 8 | 5-1/4 | 4-1/4 | 5-1/2 | 13/32 | 16.16 | 11.91 | 27.18 | 13.56 | 202 |
| 10 | 3500 | 215TC | 9-1/2 | 8 | 5-1/4 | 4-1/4 | 7 | 13/32 | 16.16 | 11.91 | 27.18 | 13.56 | 198 |
| 15 | 3500 | 215TC | 9-1/2 | 8 | 5-1/4 | 4-1/4 | 7 | 13/32 | 16.16 | 11.91 | 29.06 | 13.56 | 238 |
| 20 | 3500 | 256TC | 11-1/2 | 11-1/2 | 6-1/4 | 5 | 10 | 17/32 | 17.78 | 13.03 | 32.37 | 14.56 | 343 |
| 25 | 3500 | 284TSC | 12-3/4 | 12-3/4 | 7 | 5-1/2 | 9-1/2 | 17/32 | 19.10 | 14.35 | 37.48 | 15.31 | 461 |
| 30 | 3500 | 286TSC | 12-3/4 | 12-3/4 | 7 | 5-1/2 | 11 | 17/32 | 19.10 | 14.35 | 37.48 | 15.31 | 483 |
| 40 | 3500 | 324TSC | 14-1/2 | 14 | 8 | 6-1/4 | 10-1/2 | 21/32 | 20.23 | 14.98 | 39.98 | 16.31 | 597 |
| 50 | 3500 | 326TSC | 14-1/2 | 14 | 8 | 6-1/4 | 12 | 21/32 | 20.23 | 14.98 | 39.98 | 16.31 | 706 |

MATERIAL SPECIFICATIONS

| PART NAME | STAINLESS STEEL |
|--------------------------|-----------------|
| Casing, Cover & Impeller | 316L Stainless |
| Stub Shaft | 316L Stainless |
| Adapter | 304 Stainless |



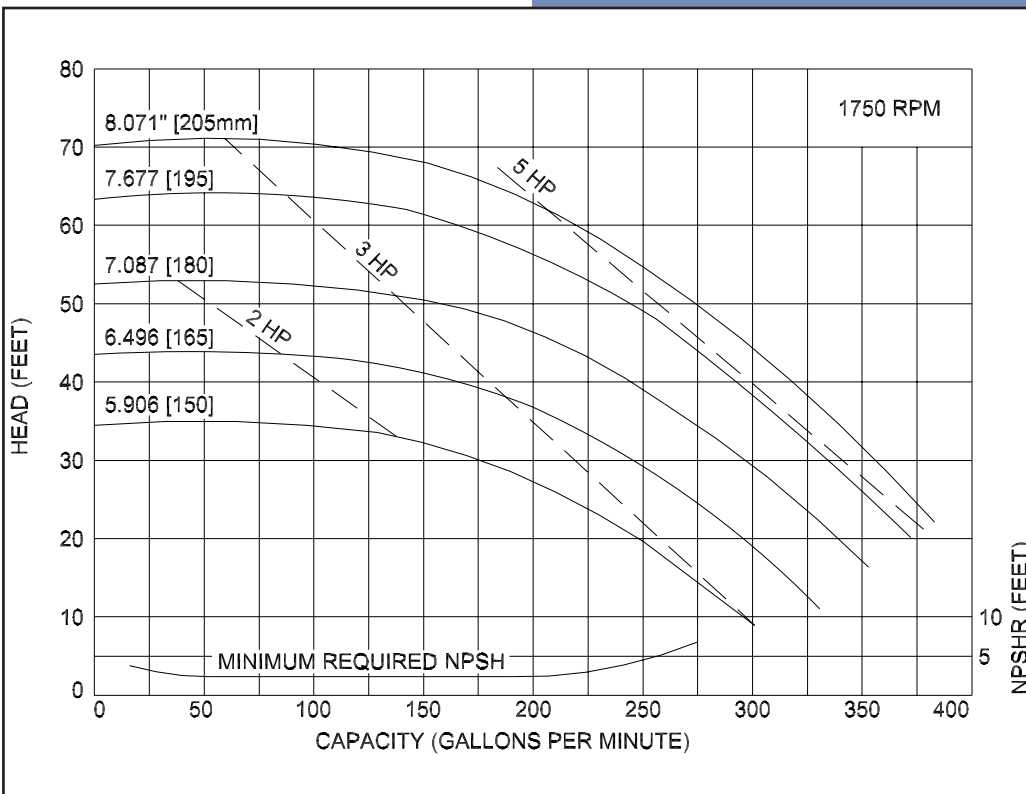
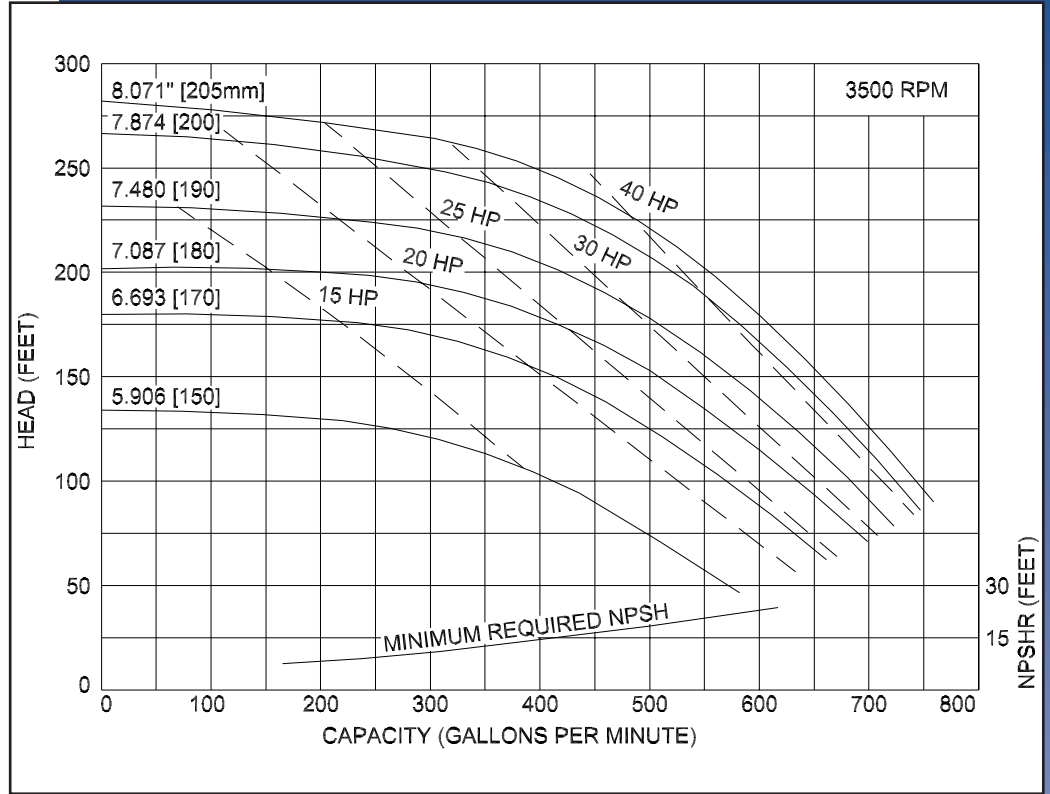
CSI
417.831.1411
csidesigns.com

MODEL LC-V541 3X2½
 MODEL LC-V542 3X2½

Ampco Centrifugal Pumps

Curves show approximate characteristics based on clear 68° water.
 Rated point is guaranteed.

LC-Series pumps have standard stainless steel adapters and silicon carbide vs. carbon seals.



LC pumps are in conformance with 3A sanitary standards for centrifugal and positive rotary pumps for milk and milk products, Number 02-09.

LC-Series pumps have a standard 32RA (150 grit) finish, on all product contact surfaces.

**Ampco
 Pumps
 Company**

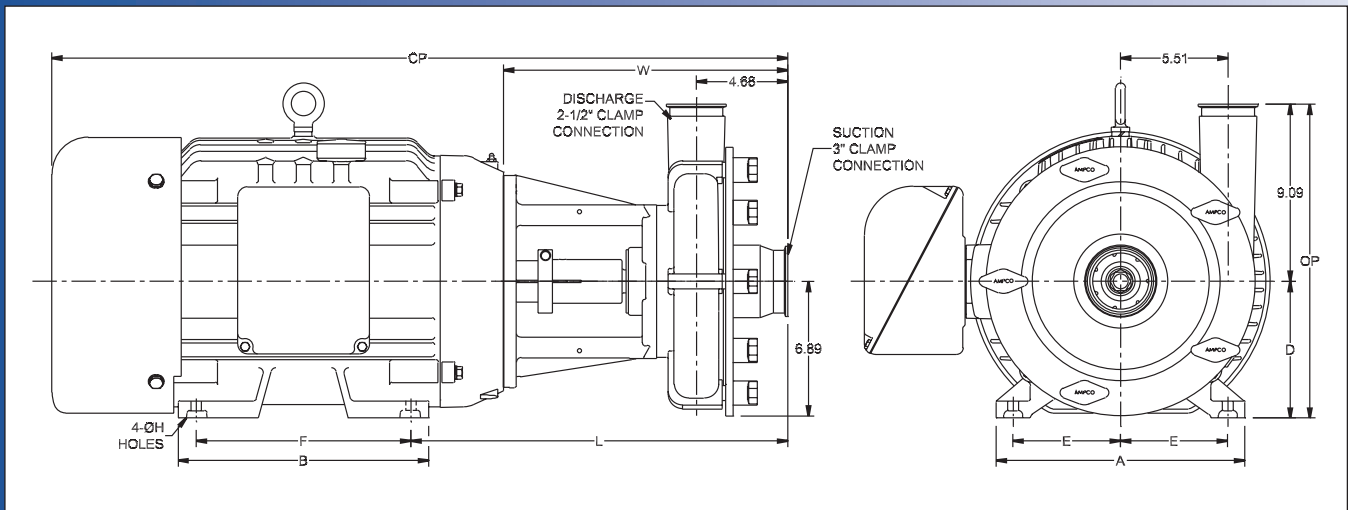
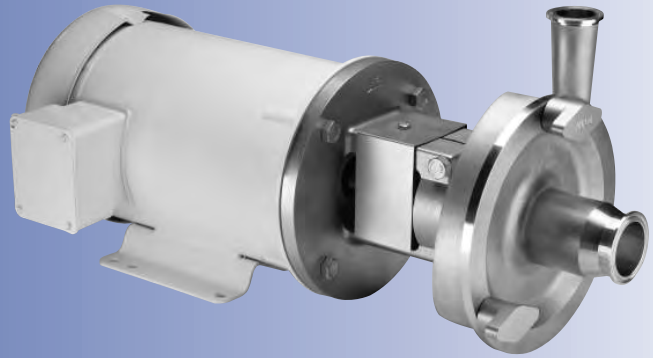


CSI
 417.831.1411
 csidesigns.com

Ampco Centrifugal Pumps

DATA SHEET

MODEL LC-V551 3X2¹/₂
MODEL LC-V552 3X2¹/₂



| TEFC MOTOR | | | DIMENSIONS IN INCHES (For Reference Only) | | | | | | | | | | APPROX WEIGHT (LBS) |
|------------|------|--------|---|---------|-------|-------|--------|-------|-------|--------|-------|-------|---------------------------|
| HP | RPM | FRAME | A (typ) | B (typ) | D | E | F | ØH | L | W | CP | OP | |
| 5 | 1750 | 184TC | 8-5/8 | 6-1/2 | 4-1/2 | 3-3/4 | 5-1/2 | 13/32 | 16.76 | 13.26 | 28.44 | 13.59 | 173 |
| 7-1/2 | 1750 | 213TC | 9-1/2 | 8 | 5-1/4 | 4-1/4 | 5-1/2 | 13/32 | 17.51 | 13.26 | 28.53 | 14.34 | 224 |
| 10 | 1750 | 215TC | 9-1/2 | 8 | 5-1/4 | 4-1/4 | 7 | 13/32 | 17.51 | 13.26 | 29.75 | 15.17 | 234 |
| 15 | 1750 | 254TC | 11-1/2 | 11-1/2 | 6-1/4 | 5 | 8-1/4 | 17/32 | 18.01 | 13.26 | 30.85 | 15.34 | 350 |
| 20 | 1750 | 256TC | 11-1/2 | 11-1/2 | 6-1/4 | 5 | 10 | 17/32 | 18.01 | 13.26 | 32.92 | 15.34 | 371 |
| 25 | 3500 | 284TSC | 12-3/4 | 12-3/4 | 7 | 5-1/2 | 9-1/2 | 17/32 | 19.33 | 14.58 | 37.71 | 16.09 | 483 |
| 30 | 3500 | 286TSC | 12-3/4 | 12-3/4 | 7 | 5-1/2 | 11 | 17/32 | 19.33 | 14.58 | 37.71 | 16.09 | 505 |
| 40 | 3500 | 324TSC | 14-1/2 | 14 | 8 | 6-1/4 | 10-1/2 | 21/32 | 20.46 | 15.210 | 40.21 | 17.09 | 619 |
| 50 | 3500 | 326TSC | 14-1/2 | 14 | 8 | 6-1/4 | 12 | 21/32 | 20.46 | 15.21 | 40.21 | 17.09 | 728 |

MATERIAL SPECIFICATIONS

| PART NAME | STAINLESS STEEL |
|--------------------------|-----------------|
| Casing, Cover & Impeller | 316L Stainless |
| Stub Shaft | 316L Stainless |
| Adapter | 304 Stainless |



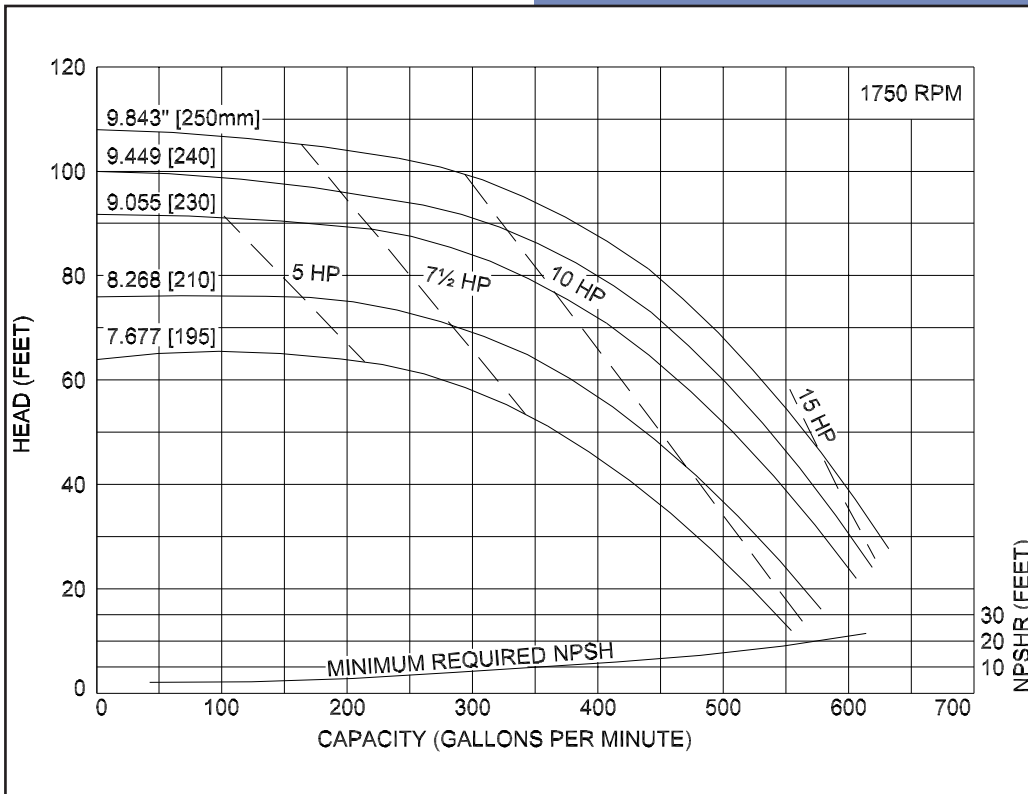
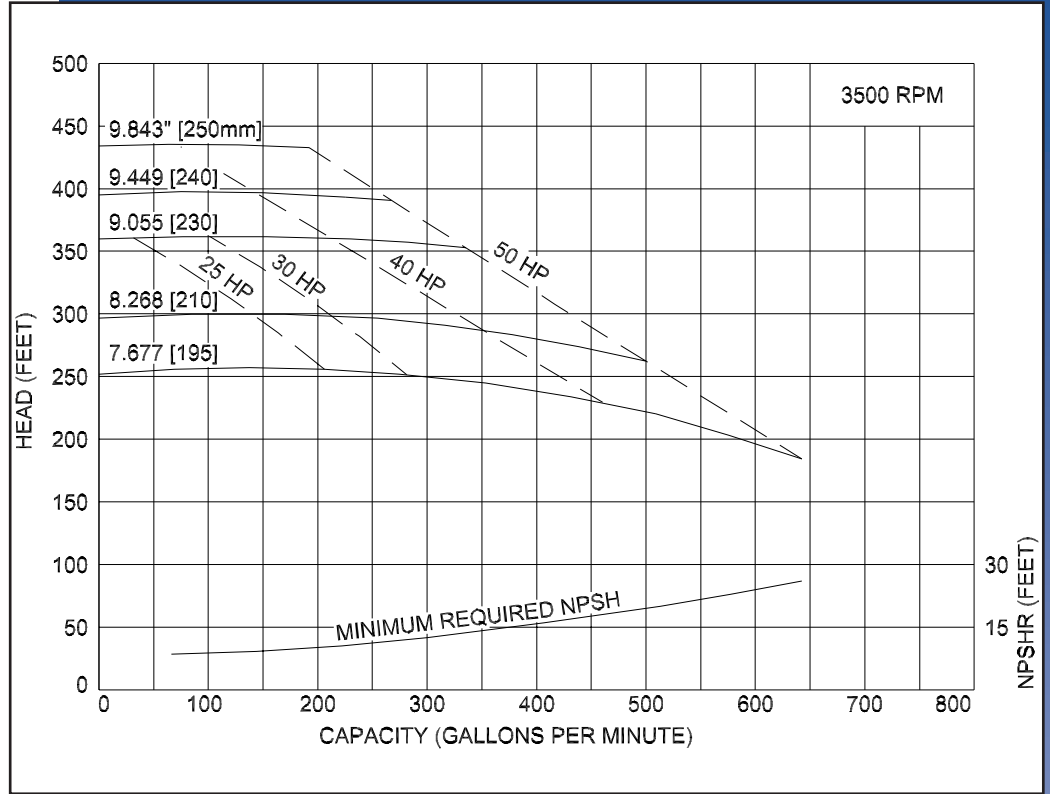
CSI
417.831.1411
csidesigns.com

MODEL LC-V551 3X2½
 MODEL LC-V552 3X2½

Ampco Centrifugal Pumps

Curves show approximate characteristics based on clear 68° water. Rated point is guaranteed.

LC-Series pumps have standard stainless steel adapters and silicon carbide vs. carbon seals.



LC pumps are in conformance with 3A sanitary standards for centrifugal and positive rotary pumps for milk and milk products, Number 02-09.

LC-Series pumps have a standard 32RA (150 grit) finish, on all product contact surfaces.

**Ampco
Pumps
Company**

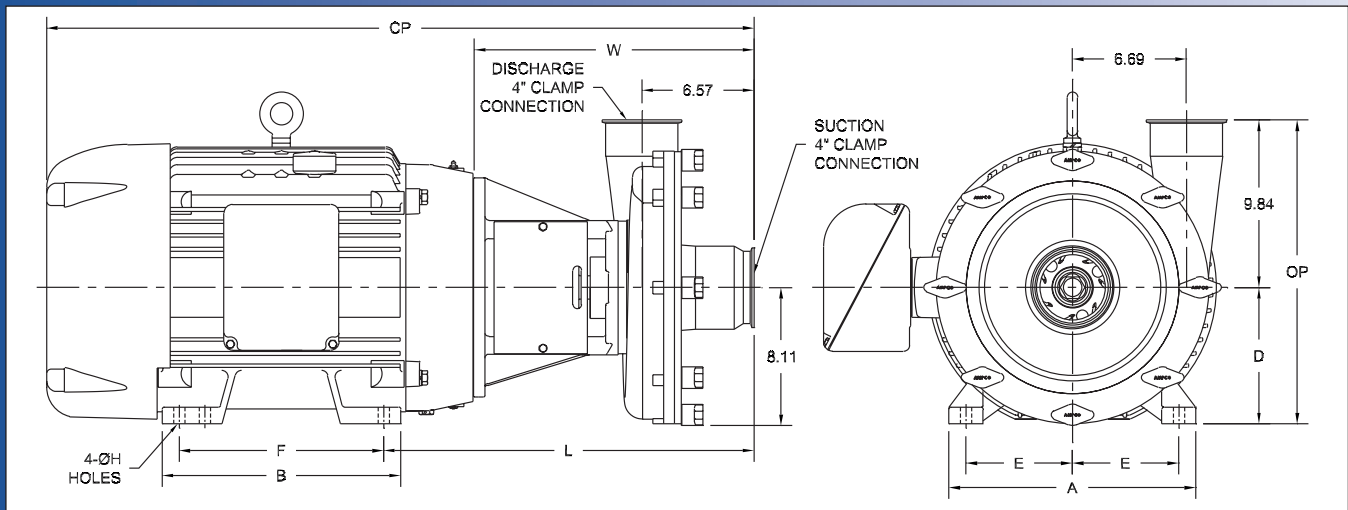
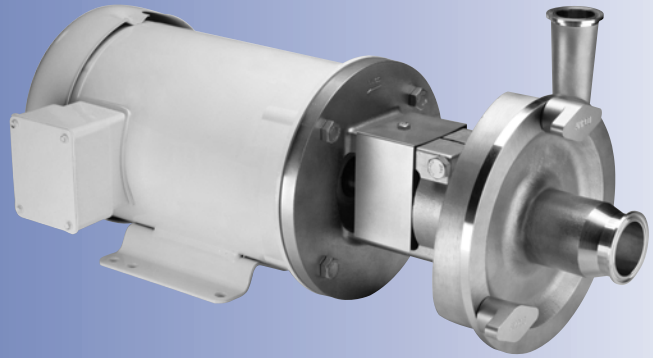


CSI
 417.831.1411
 csidesigns.com

Ampco Centrifugal Pumps

DATA SHEET

MODEL LC-X051 4X4



| TEFC MOTOR | | | DIMENSIONS IN INCHES (For Reference Only) | | | | | | | | | | APPROX WEIGHT (LBS) |
|------------|------|-------|---|---------|-------|-------|-------|-------|-------|-------|-------|-------|---------------------------|
| HP | RPM | FRAME | A (typ) | B (typ) | D | E | F | ØH | L | W | CP | OP | |
| 7-1/2 | 1750 | 213TC | 9-1/2 | 8 | 5-1/4 | 4-1/4 | 5-1/2 | 13/32 | 20.09 | 15.84 | 31.10 | 15.09 | 300 |
| 10 | 1750 | 215TC | 9-1/2 | 8 | 5-1/4 | 4-1/4 | 7 | 13/32 | 20.09 | 15.84 | 32.23 | 15.09 | 310 |
| 15 | 1750 | 254TC | 11-1/2 | 11-1/2 | 6-1/4 | 5 | 8-1/4 | 17/32 | 20.59 | 15.84 | 33.41 | 16.09 | 424 |
| 20 | 1750 | 256TC | 11-1/2 | 11-1/2 | 6-1/4 | 5 | 10 | 17/32 | 20.59 | 15.84 | 35.50 | 16.09 | 445 |
| 25 | 1750 | 284TC | 12-3/4 | 12-3/4 | 7 | 5-1/2 | 9-1/2 | 17/32 | 20.59 | 15.84 | 37.18 | 16.84 | 578 |

MATERIAL SPECIFICATIONS

| PART NAME | STAINLESS STEEL |
|--------------------------|-----------------|
| Casing, Cover & Impeller | 316L Stainless |
| Stub Shaft | 316L Stainless |
| Adapter | 304 Stainless |



CSI

417.831.1411
csidesigns.com

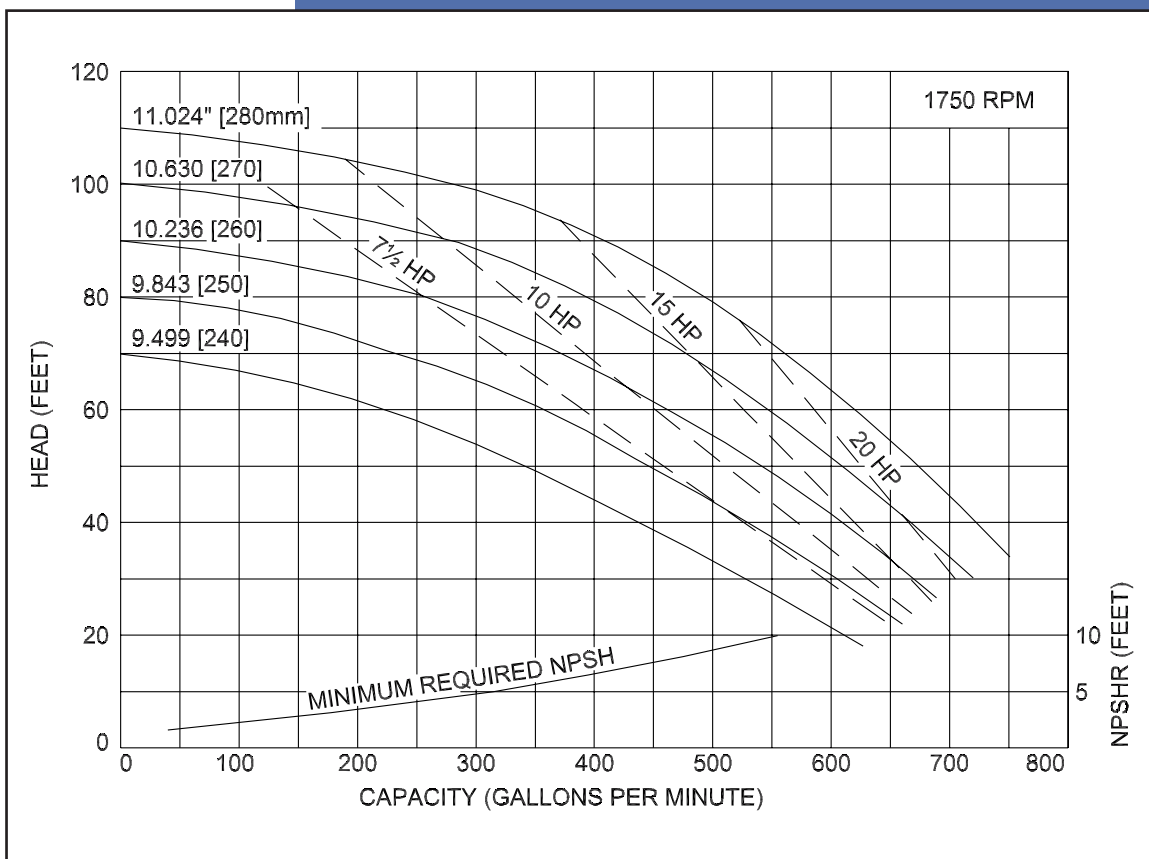


Ampco Centrifugal Pumps

MODEL LC-XO51 4X4

Curves show approximate characteristics based on clear 68° water.
Rated point is guaranteed.

LC-Series pumps have standard stainless steel adapters and silicon carbide vs. carbon seals.



LC pumps are in conformance with 3A sanitary standards for centrifugal and positive rotary pumps for milk and milk products, Number 02-10.

LC-Series pumps have a standard 32RA (150 grit) finish, on all product contact surfaces.

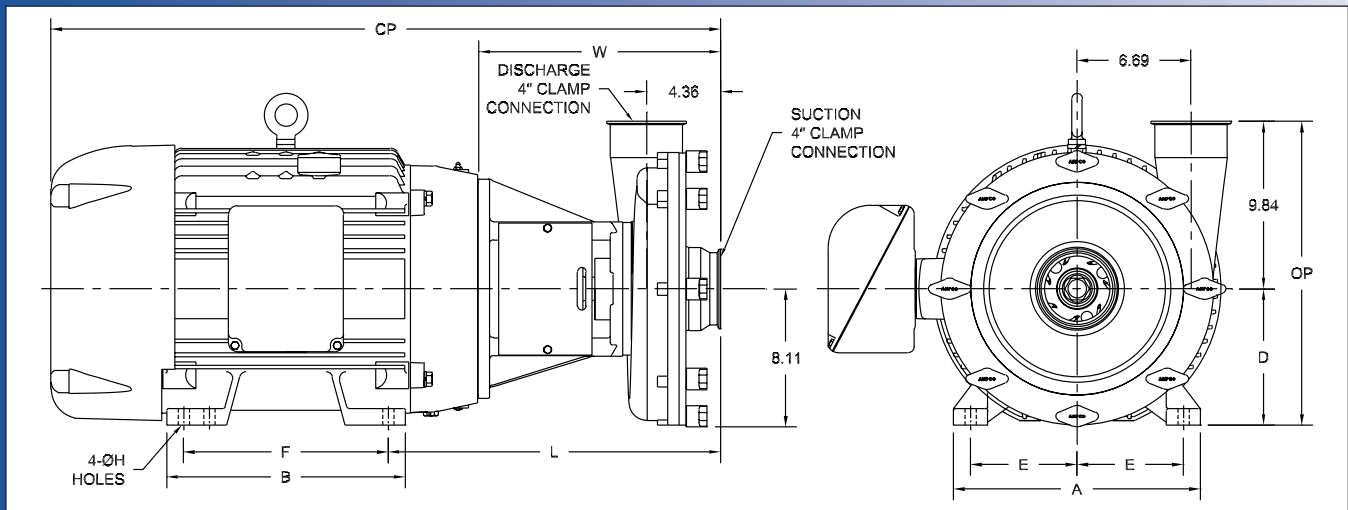
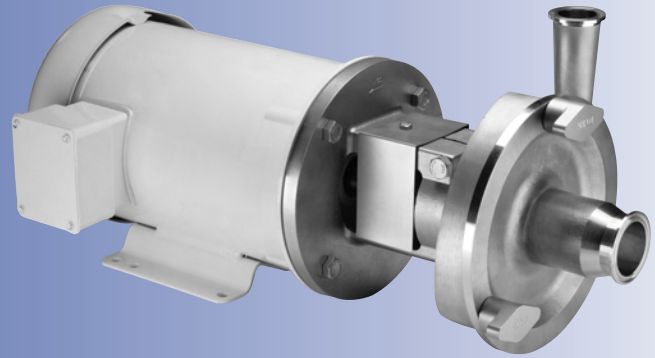


CSI
417.831.1411
csidesigns.com

Ampco Centrifugal Pumps

DATA SHEET

MODEL LC-X151 4X4



| TEFC MOTOR | | | DIMENSIONS IN INCHES (For Reference Only) | | | | | | | | | | APPROX WEIGHT (LBS) |
|------------|------|-------|---|---------|-------|-------|--------|-------|-------|-------|-------|-------|---------------------------|
| HP | RPM | FRAME | A (typ) | B (typ) | D | E | F | ØH | L | W | CP | OP | |
| 10 | 1750 | 215TC | 9-1/2 | 8 | 5-1/4 | 4-1/4 | 7 | 11/32 | 17.87 | 13.62 | 30.01 | 15.09 | 310 |
| 15 | 1750 | 254TC | 11-1/2 | 11-1/2 | 6-1/4 | 5 | 8-1/4 | 11/32 | 18.37 | 13.62 | 31.19 | 16.09 | 424 |
| 20 | 1750 | 256TC | 11-1/2 | 11-1/2 | 6-1/4 | 5 | 10 | 13/32 | 18.37 | 13.62 | 33.28 | 16.09 | 445 |
| 25 | 1750 | 284TC | 12-3/4 | 12-3/4 | 7 | 5-1/2 | 9-1/2 | 17/32 | 18.37 | 13.62 | 34.96 | 16.84 | 578 |
| 30 | 1750 | 286TC | 12-3/4 | 12-3/4 | 7 | 5-1/2 | 11 | 17/32 | 18.37 | 13.62 | 34.96 | 16.84 | 589 |
| 40 | 1750 | 324TC | 14-1/2 | 14 | 8 | 6-1/4 | 10-1/2 | 21/32 | 19.50 | 14.25 | 39.39 | 17.84 | 778 |

MATERIAL SPECIFICATIONS

| PART NAME | STAINLESS STEEL |
|--------------------------|-----------------|
| Casing, Cover & Impeller | 316L Stainless |
| Stub Shaft | 316L Stainless |
| Adapter | 304 Stainless |



CSI
417.831.1411
csidesigns.com

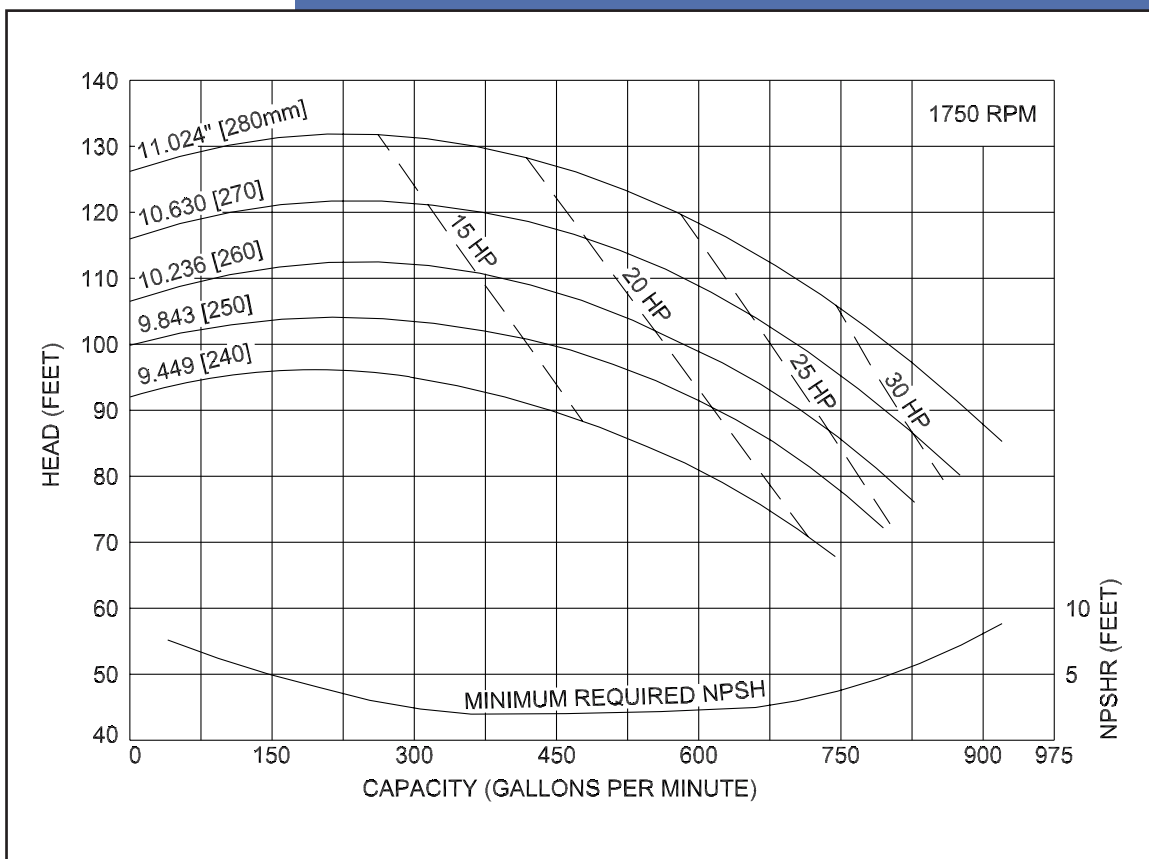


Ampco Centrifugal Pumps

MODEL LC-X151 4X4

Curves show approximate characteristics based on clear 68° water.
Rated point is guaranteed.

LC-Series pumps have standard stainless steel adapters and silicon carbide vs. carbon seals.



LC pumps are in conformance with 3A sanitary standards for centrifugal and positive rotary pumps for milk and milk products, Number 02-10.

LC-Series pumps have a standard 32RA (150 grit) finish, on all product contact surfaces.



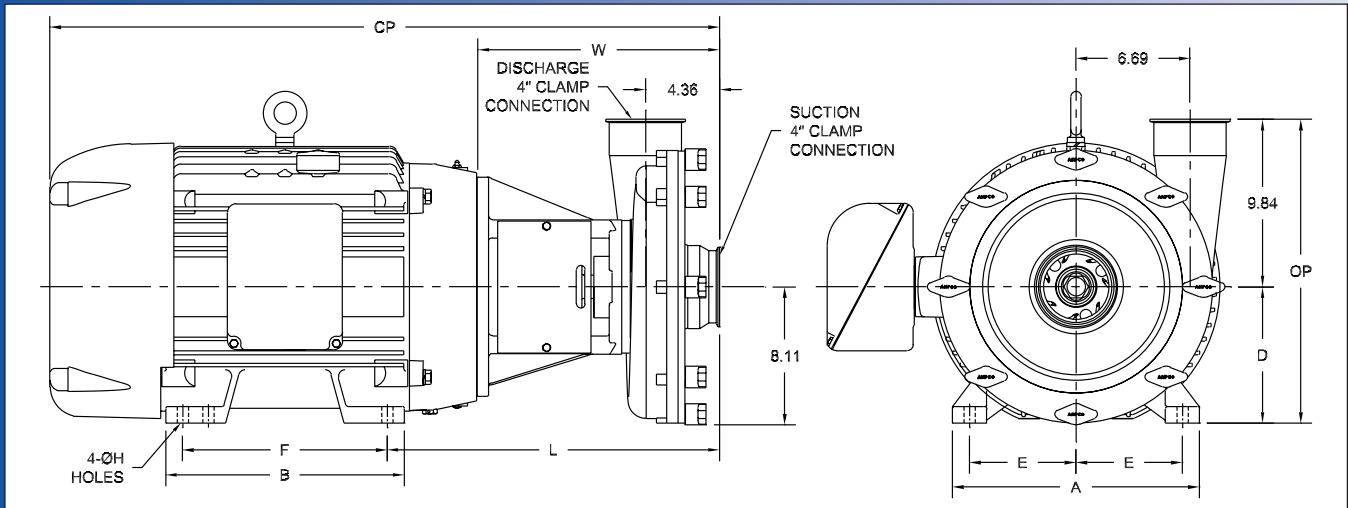
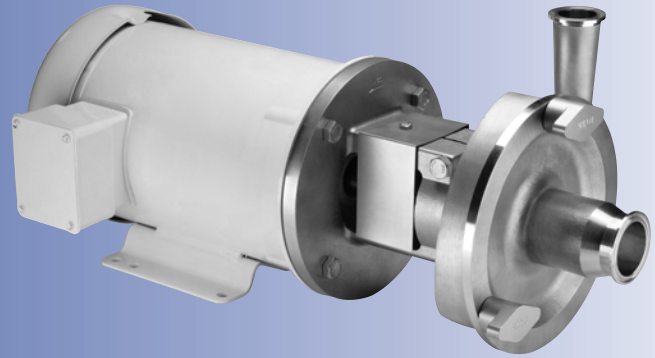
CSI

417.831.1411
csidesigns.com

Ampco Centrifugal Pumps

DATA SHEET

MODEL LC-X161 4X4



| TEFC MOTOR | | | DIMENSIONS IN INCHES (For Reference Only) | | | | | | | | | | APPROX WEIGHT (LBS) |
|------------|------|-------|---|---------|-------|-------|--------|-------|-------|-------|-------|-------|---------------------------|
| HP | RPM | FRAME | A (typ) | B (typ) | D | E | F | ØH | L | W | CP | OP | |
| 15 | 1750 | 254TC | 11-1/2 | 11-1/2 | 6-1/4 | 5 | 8-1/4 | 11/32 | 18.37 | 13.62 | 31.19 | 16.09 | 426 |
| 20 | 1750 | 256TC | 11-1/2 | 11-1/2 | 6-1/4 | 5 | 10 | 13/32 | 18.37 | 13.62 | 33.28 | 16.09 | 447 |
| 25 | 1750 | 284TC | 12-3/4 | 12-3/4 | 7 | 5-1/2 | 9-1/2 | 17/32 | 18.37 | 13.62 | 34.96 | 16.84 | 580 |
| 30 | 1750 | 286TC | 12-3/4 | 12-3/4 | 7 | 5-1/2 | 11 | 17/32 | 18.37 | 13.62 | 34.96 | 16.84 | 591 |
| 40 | 1750 | 324TC | 14-1/2 | 14 | 8 | 6-1/4 | 10-1/2 | 21/32 | 19.50 | 14.25 | 39.39 | 17.84 | 780 |
| 50 | 1750 | 326TC | 14-1/2 | 14 | 8 | 6-1/4 | 12 | 21/32 | 19.50 | 14.25 | 39.39 | 17.84 | 765 |

MATERIAL SPECIFICATIONS

| PART NAME | STAINLESS STEEL |
|--------------------------|-----------------|
| Casing, Cover & Impeller | 316L Stainless |
| Stub Shaft | 316L Stainless |
| Adapter | 304 Stainless |



CSI
417.831.1411
csidesigns.com

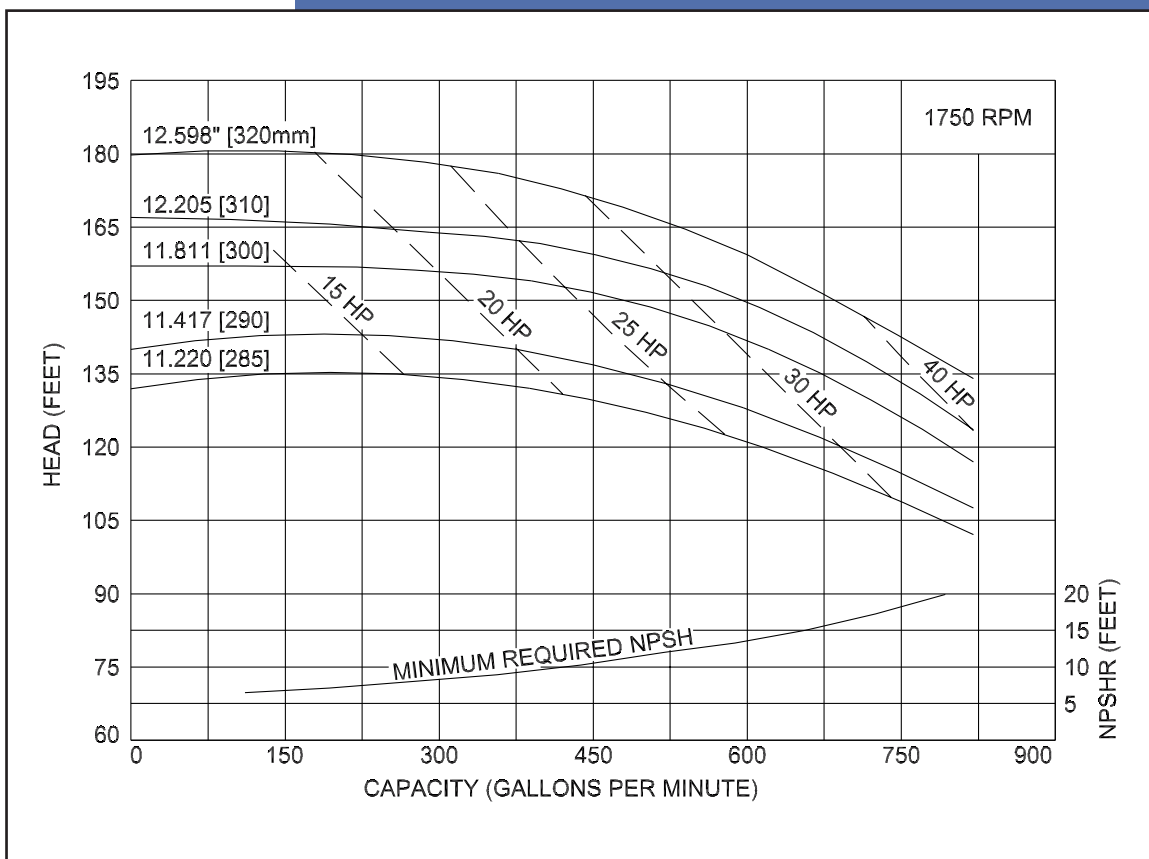


Ampco Centrifugal Pumps

MODEL LC-X161 4X4

Curves show approximate characteristics based on clear 68° water.
Rated point is guaranteed.

LC-Series pumps have standard stainless steel adapters and silicon carbide vs. carbon seals.



LC pumps are in conformance with 3A sanitary standards for centrifugal and positive rotary pumps for milk and milk products, Number 02-10.

LC-Series pumps have a standard 32RA (150 grit) finish, on all product contact surfaces.



CSI

417.831.1411
csidesigns.com