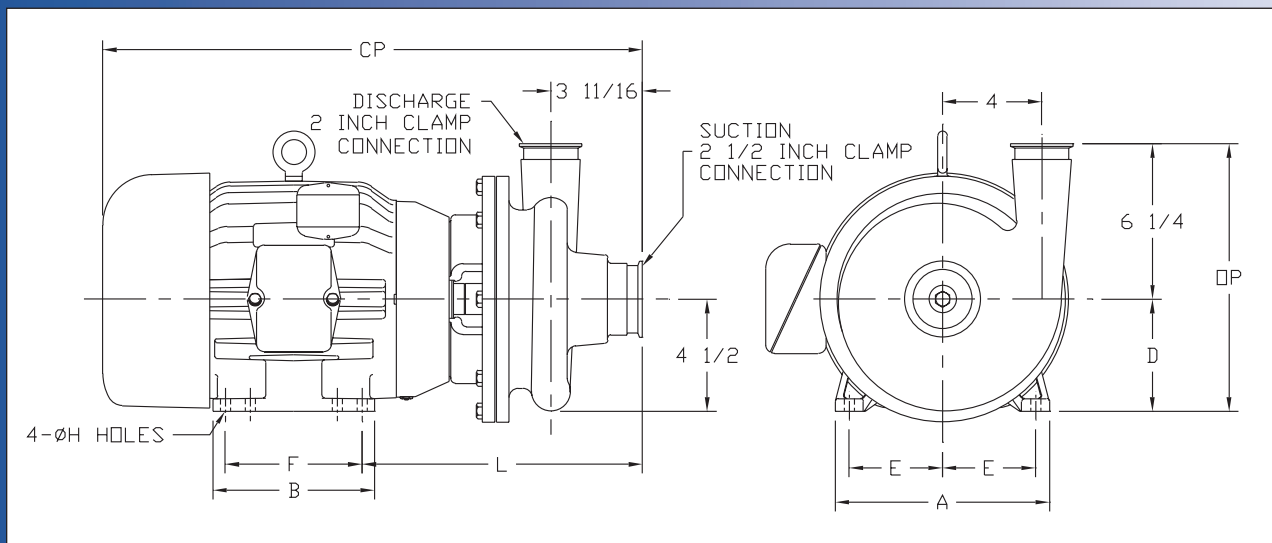
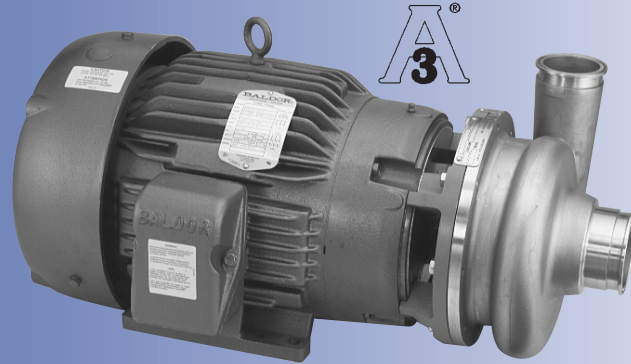


# Ampco Centrifugal Pumps

## DATA SHEET

MODEL DC2 2 1/2 X2  
MODEL DC3 2 1/2 X2



| TEFC MOTOR |      |       | DIMENSIONS IN INCHES (For Reference Only) |         |       |       |       |       |          |          |        | APPROX. WEIGHT (LBS) |
|------------|------|-------|---|---------|-------|-------|-------|-------|----------|----------|--------|----------------------|
| HP         | RPM  | FRAME | A (typ)                                   | B (typ) | D     | E     | F     | H     | L        | CP       | OP     |                      |
| 1          | 1750 | 143JM | 6-1/2                                     | 6       | 3-1/2 | 2-3/4 | 4     | 11/32 | 10-25/32 | 19-3/32  | 9-3/4  | 101                  |
| 1-1/2      | 1750 | 145JM | 6-1/2                                     | 6       | 3-1/2 | 2-3/4 | 5     | 11/32 | 10-25/32 | 19-3/32  | 9-3/4  | 105                  |
| 2          | 1750 | 145JM | 6-1/2                                     | 6       | 3-1/2 | 2-3/4 | 5     | 11/32 | 10-25/32 | 19-3/32  | 9-3/4  | 111                  |
| 3          | 1750 | 182JM | 8-5/8                                     | 6-1/2   | 4-1/2 | 3-3/4 | 4-1/2 | 13/32 | 11-3/8   | 20-15/32 | 10-3/4 | 129                  |
| 5          | 3500 | 184JM | 8-5/8                                     | 6-1/2   | 4-1/2 | 3-3/4 | 5-1/2 | 13/32 | 11-3/8   | 21-27/32 | 10-3/4 | 153                  |
| 7-1/2      | 3500 | 213JM | 9-5/8                                     | 8-1/8   | 5-1/4 | 4-1/4 | 5-1/2 | 13/32 | 12-5/32  | 24-23/32 | 11-1/2 | 217                  |
| 10         | 3500 | 215JM | 9-5/8                                     | 8-1/8   | 5-1/4 | 4-1/4 | 7     | 13/32 | 12-5/32  | 24-23/32 | 11-1/2 | 235                  |
| 15         | 3500 | 215JM | 9-1/8                                     | 8       | 5-1/4 | 4-1/4 | 7     | 13/32 | 12-13/32 | 24-19/32 | 11-1/2 | 332                  |

## MATERIAL SPECIFICATIONS

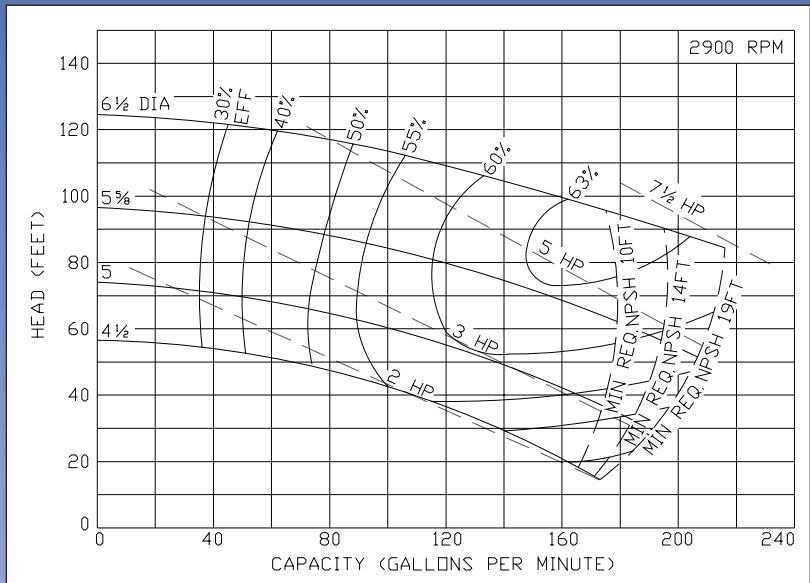
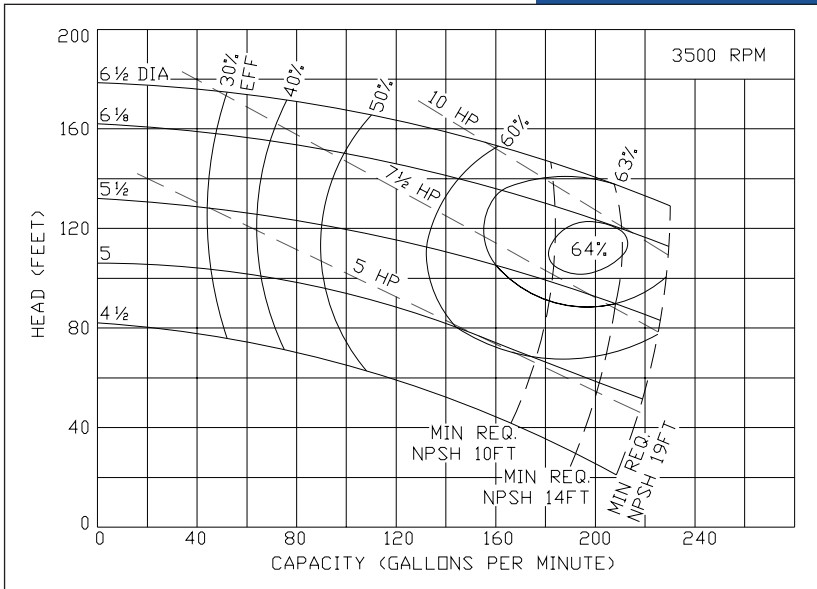
| PART NAME      | STAINLESS STEEL |
|----------------|-----------------|
| Casing & Cover | 316 Stainless   |
| Impeller       | 316 Stainless   |
| Motor Shaft    | Steel           |
| Shaft Sleeve   | 316 Stainless   |
| Adapter        | Cast Iron       |



# Ampco Centrifugal Pumps

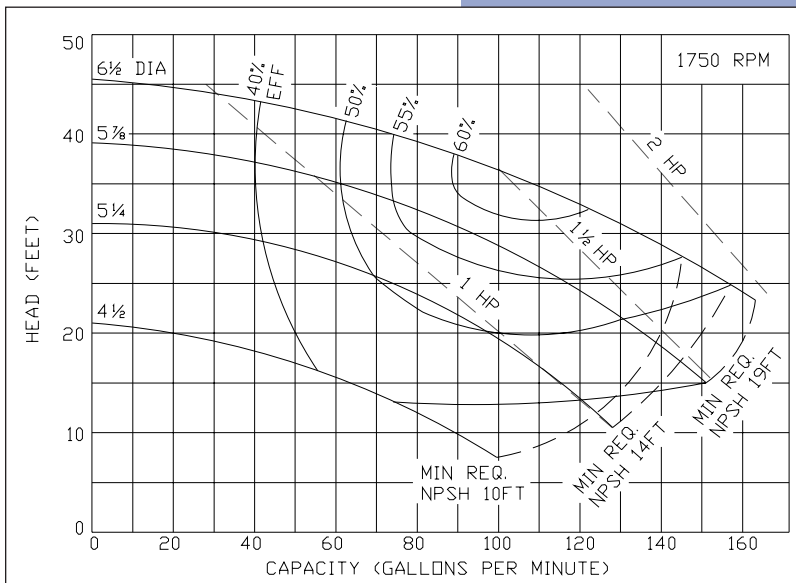
MODEL DC2 2½ X 2  
MODEL DC3 2½ X 2

Curves show approximate characteristics based on clear 68° water. Rated point is guaranteed.



DC3/DCH3 pumps are in conformance with 3A sanitary standards for centrifugal and positive rotary pumps for pumping cleaning and sanitizing solutions, Number 47-00.

DC2/DCH2 pumps are also available with 150 lb. flat faced flanged connections.



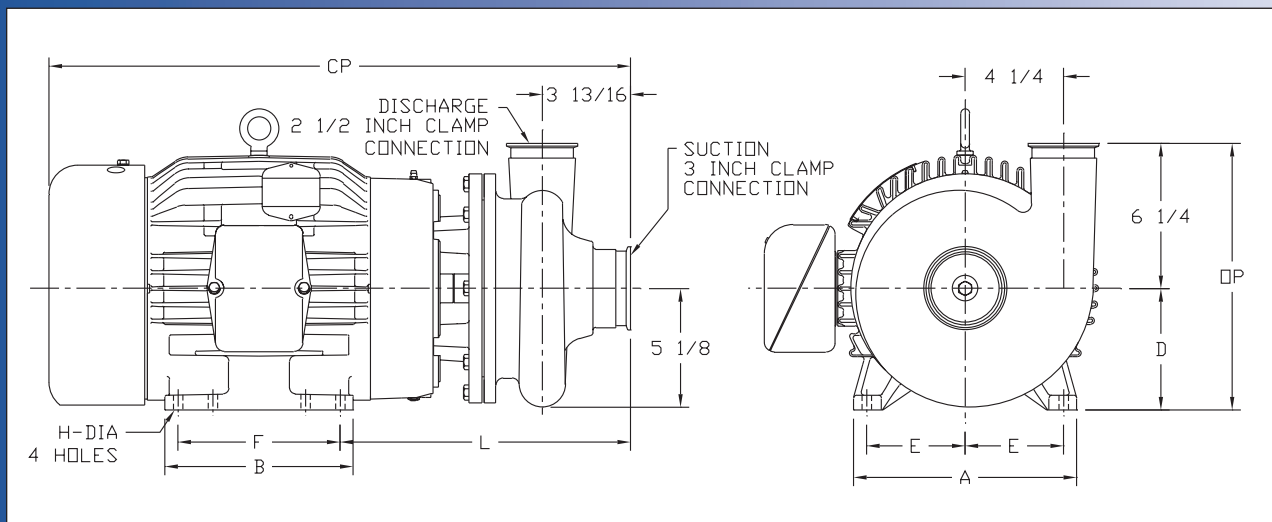
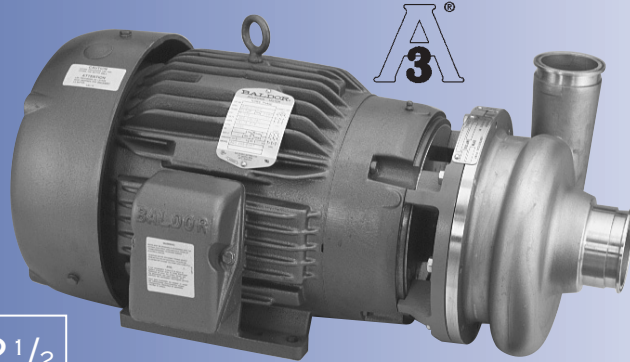
# Ampco Pumps Company

4424 West Mitchell Street  
Milwaukee, Wisconsin 53214  
PHONE (414) 643-1852  
FAX (414) 643-4452

# Ampco Centrifugal Pumps

## DATA SHEET

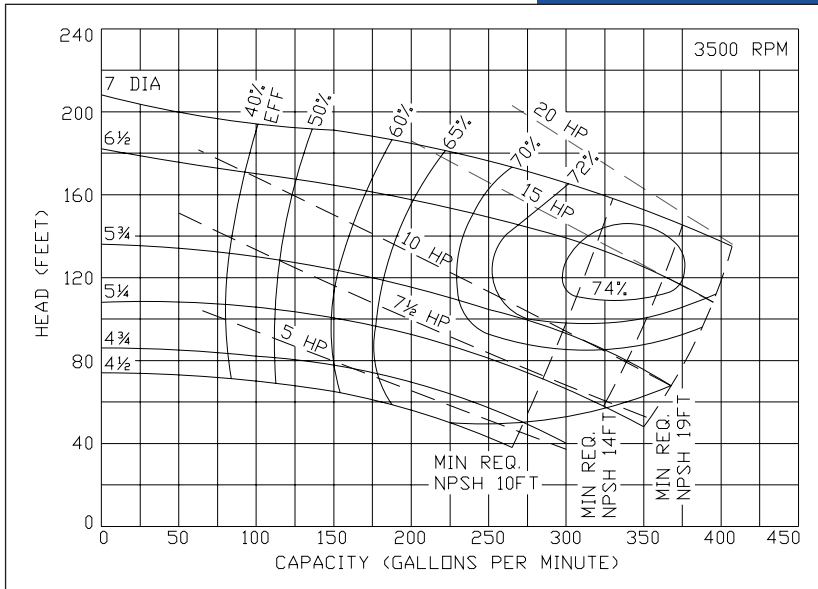
MODEL DC2/DCH2 3X2 1/2  
MODEL DC3/DCH3 3X2 1/2



|      | TEFC MOTOR |      |       | DIMENSIONS IN INCHES (For Reference Only) |         |       |       |       |       |          |          |        | APPROX. WEIGHT (LBS) |
|------|------------|------|-------|---|---------|-------|-------|-------|-------|----------|----------|--------|----------------------|
|      | HP         | RPM  | FRAME | A (typ)                                   | B (typ) | D     | E     | F     | H     | L        | CP       | OP     |                      |
| DC2  | 1          | 1750 | 143JM | 6-1/2                                     | 6       | 3-1/2 | 2-3/4 | 4     | 11/32 | 11-5/32  | 19-15/32 | 9-3/4  | 115                  |
| DC2  | 1-1/2      | 1750 | 145JM | 6-1/2                                     | 6       | 3-1/2 | 2-3/4 | 5     | 11/32 | 11-5/32  | 19-15/32 | 9-3/4  | 119                  |
| DC2  | 2          | 1750 | 145JM | 6-1/2                                     | 6       | 3-1/2 | 2-3/4 | 5     | 11/32 | 11-5/32  | 19-15/32 | 9-3/4  | 125                  |
| DC2  | 3          | 1750 | 182JM | 8-5/8                                     | 6-1/2   | 4-1/2 | 3-3/4 | 4-1/2 | 13/32 | 11-25/32 | 20-27/32 | 10-3/4 | 143                  |
| DC2  | 5          | 3500 | 184JM | 8-5/8                                     | 6-1/2   | 4-1/2 | 3-3/4 | 4-1/2 | 13/32 | 11-25/32 | 22-7/32  | 10-3/4 | 161                  |
| DC2  | 7-1/2      | 3500 | 213JM | 9-5/8                                     | 8-1/8   | 5-1/4 | 4-1/4 | 5-1/2 | 13/32 | 12-25/32 | 25-3/32  | 11-1/2 | 224                  |
| DC2  | 10         | 3500 | 215JM | 9-5/8                                     | 8-1/8   | 5-1/4 | 4-1/4 | 7     | 13/32 | 12-25/32 | 25-3/32  | 11-1/2 | 242                  |
| DCH2 | 15         | 3500 | 254JM | 11-1/2                                    | 9-3/4   | 6-1/4 | 5     | 8-1/4 | 17/32 | 14-9/32  | 27-3/32  | 12-1/2 | 347                  |
| DCH2 | 20         | 3500 | 256JM | 11-1/2                                    | 11-1/2  | 6-1/4 | 5     | 10    | 17/32 | 14-9/32  | 28-7/8   | 12-1/2 | 385                  |
| DCH2 | 25         | 3500 | 284JM | 12-3/4                                    | 12-3/4  | 7     | 5-1/2 | 9-1/2 | 17/32 | 14-9/32  | 32-15/32 | 13-1/4 | 442                  |

## MATERIAL SPECIFICATIONS

| PART NAME      | STAINLESS STEEL |
|----------------|-----------------|
| Casing & Cover | 316 Stainless   |
| Impeller       | 316 Stainless   |
| Motor Shaft    | Steel           |
| Shaft Sleeve   | 316 Stainless   |
| Adapter        | Cast Iron       |



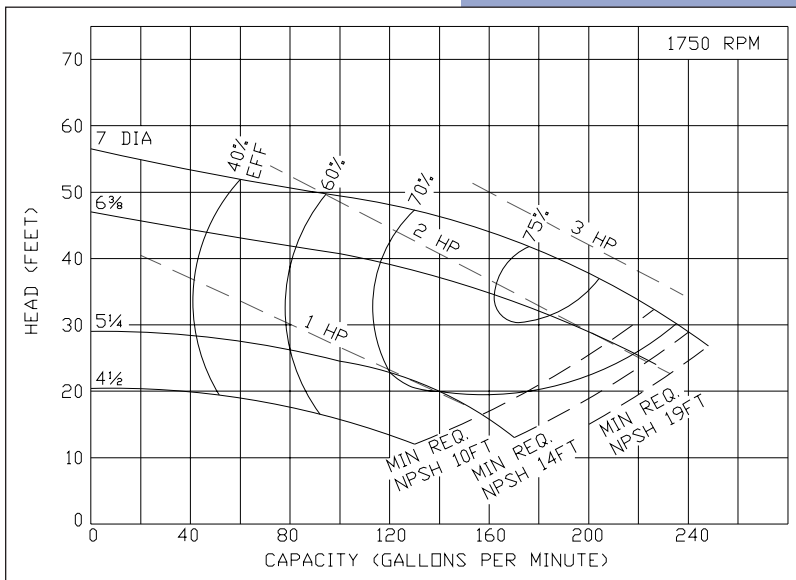
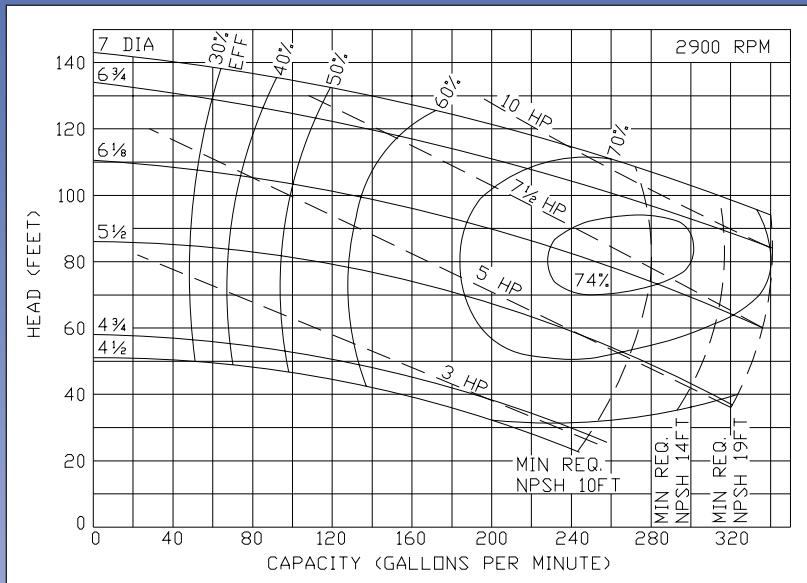
# Ampco Centrifugal Pumps

MODEL DC2/DCH2 3X2<sup>1</sup>/<sub>2</sub>  
 MODEL DC3/DCH3 3X2<sup>1</sup>/<sub>2</sub>

Curves show approximate characteristics based on clear 68° water. Rated point is guaranteed.

DC3/DCH3 pumps are in conformance with 3A sanitary standards for centrifugal and positive rotary pumps for pumping cleaning and sanitizing solutions, Number 47-00.

DC2/DCH2 pumps are also available with 150 lb. flat faced flanged connections.



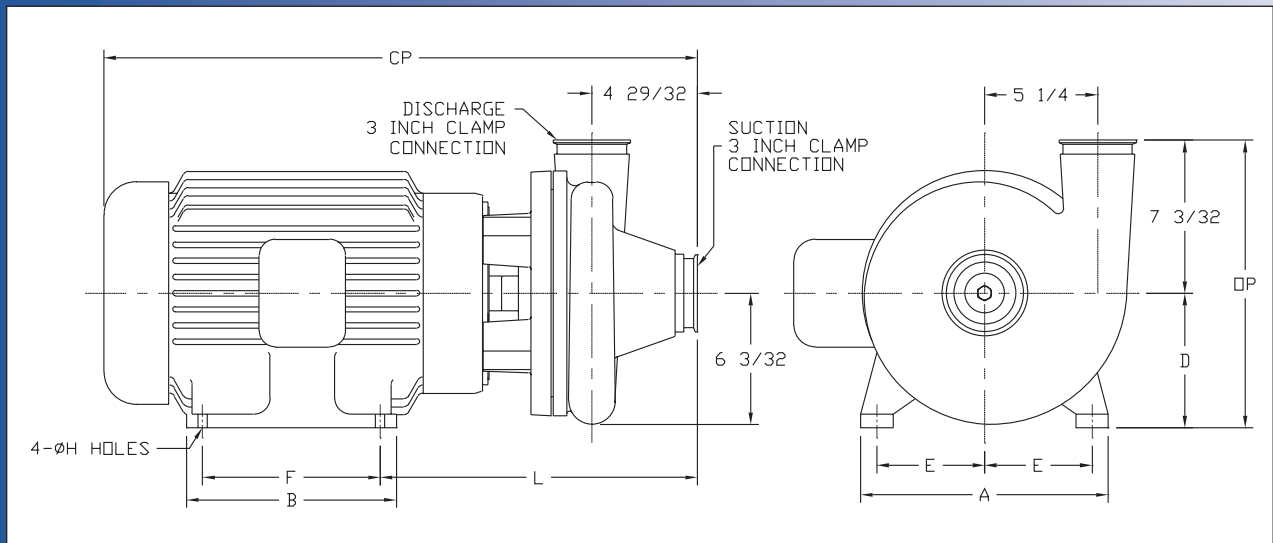
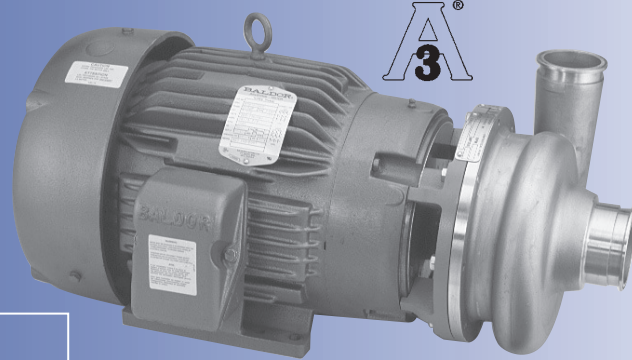
# Ampco Pumps Company

4424 West Mitchell Street  
 Milwaukee, Wisconsin 53214  
 PHONE (414) 643-1852  
 FAX (414) 643-4452

# Ampco Centrifugal Pumps

## Data Sheet

Model DCH2 3x3  
Model DCH3 3x3

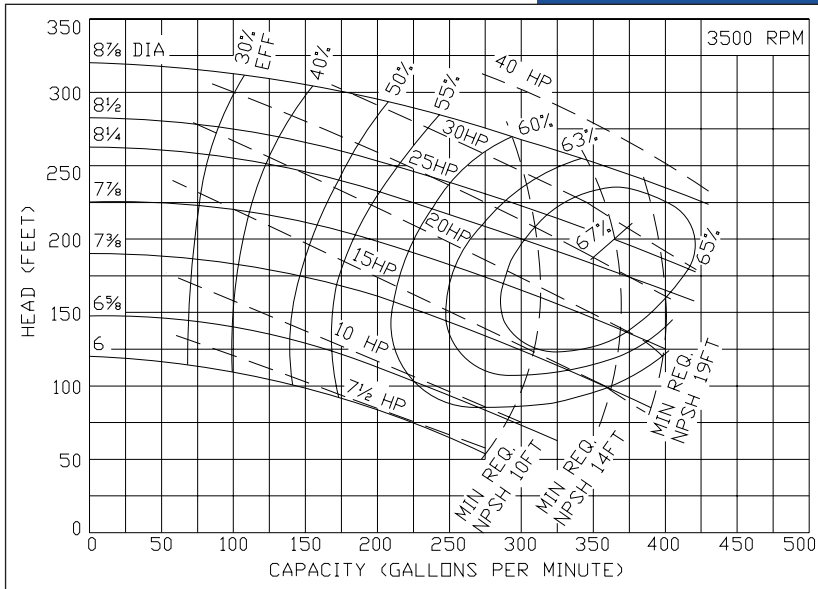


| TEFC MOTOR |      |       | DIMENSIONS IN INCHES (For Reference Only) |         |       |       |        |       |         |        |          | APPROX. WEIGHT (LBS) |
|------------|------|-------|---|---------|-------|-------|--------|-------|---------|--------|----------|----------------------|
| HP         | RPM  | FRAME | A (typ)                                   | B (typ) | D     | E     | F      | H     | L       | CP     | OP       |                      |
| 2          | 1750 | 145JM | 6-1/2                                     | 6       | 3-1/2 | 2-3/4 | 5      | 11/32 | 11-2/8  | 19-5/8 | 10-19/32 | 135                  |
| 3          | 1750 | 182JM | 8-5/8                                     | 6-1/2   | 4-1/2 | 3-3/4 | 4-1/2  | 13/32 | 11-7/8  | 21-5/8 | 11-19/32 | 141                  |
| 5          | 1750 | 184JM | 8-5/8                                     | 6-1/2   | 4-1/2 | 3-3/4 | 5-1/2  | 13/32 | 11-7/8  | 22-4/8 | 11-19/32 | 165                  |
| 7.5        | 3500 | 213JM | 9-5/8                                     | 8-1/8   | 5-1/4 | 4-1/4 | 5-1/2  | 13/32 | 12-7/8  | 25-2/8 | 12-11/32 | 234                  |
| 10         | 3500 | 215JM | 9-5/8                                     | 8-1/8   | 5-1/4 | 4-1/4 | 7      | 13/32 | 12-7/8  | 25-2/8 | 12-11/32 | 252                  |
| 15         | 3500 | 254JM | 11-1/2                                    | 9-3/4   | 6-1/4 | 5     | 8-1/4  | 17/32 | 14-4/82 | 27-2/8 | 13-11/32 | 373                  |
| 20         | 3500 | 256JM | 11-1/2                                    | 11-1/2  | 6-1/4 | 5     | 10     | 17/32 | 14-4/8  | 29     | 13-11/32 | 412                  |
| 25         | 3500 | 284JM | 12-3/4                                    | 11-1/2  | 7     | 5-1/2 | 9-1/2  | 17/32 | 14-4/8  | 32-7/8 | 14-3/32  | 551                  |
| 30         | 3500 | 286JM | 12-3/4                                    | 12-3/4  | 7     | 5-1/2 | 11     | 17/32 | 14-4/8  | 32-7/8 | 14-3/32  | 670                  |
| 40         | 3500 | 324JM | 14-1/2                                    | 14      | 8     | 6-1/4 | 10-1/2 | 21/32 | 15      | 34-6/8 | 15-3/32  | 776                  |

† Requires 210 Series motor having an 8-1/2" C-Flange face and shaft extension as per motor frame 254JM NEMA Standard MG-1-18.615 and Hydraulic Institute Standard.

### MATERIAL SPECIFICATIONS

| PART NAME      | STAINLESS STEEL |
|----------------|-----------------|
| Casing & Cover | 316 Stainless   |
| Impeller       | 316 Stainless   |
| Motor Shaft    | Steel           |
| Shaft Sleeve   | 316 Stainless   |
| Adapter        | Cast Iron       |



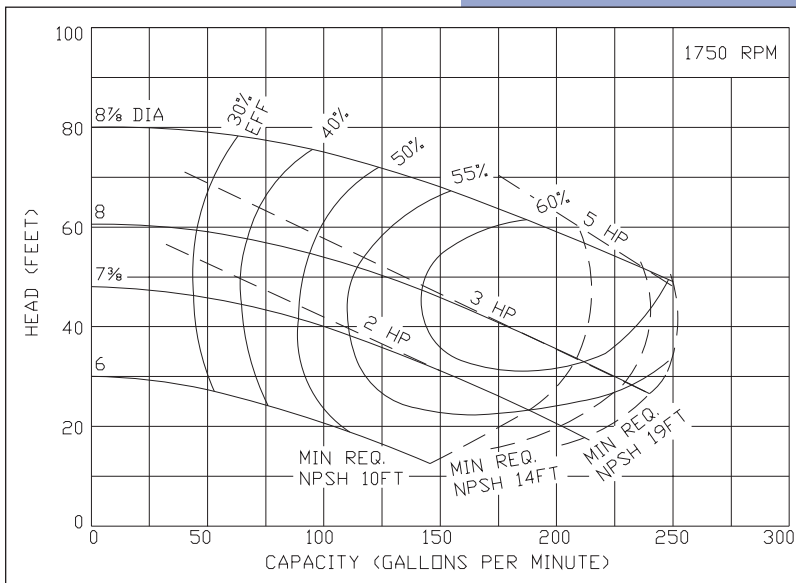
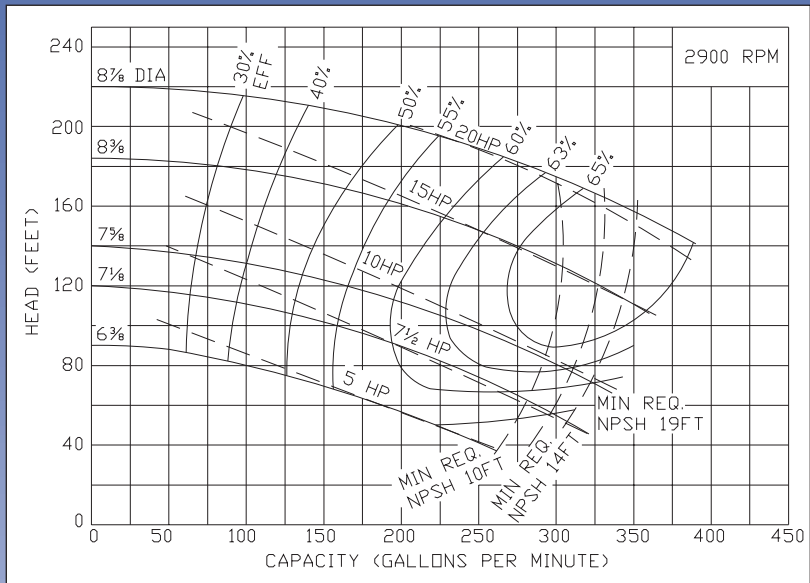
# Ampco Centrifugal Pumps

**MODEL DCH2 3X3  
MODEL DCH3 3X3**

Curves show approximate characteristics based on clear 68° water. Rated point is guaranteed.

DC3/DCH3 pumps are in conformance with 3A sanitary standards for centrifugal and positive rotary pumps for pumping cleaning and sanitizing solutions, Number 47-00.

DC2/DCH2 pumps are also available with 150 lb. flat faced flanged connections.



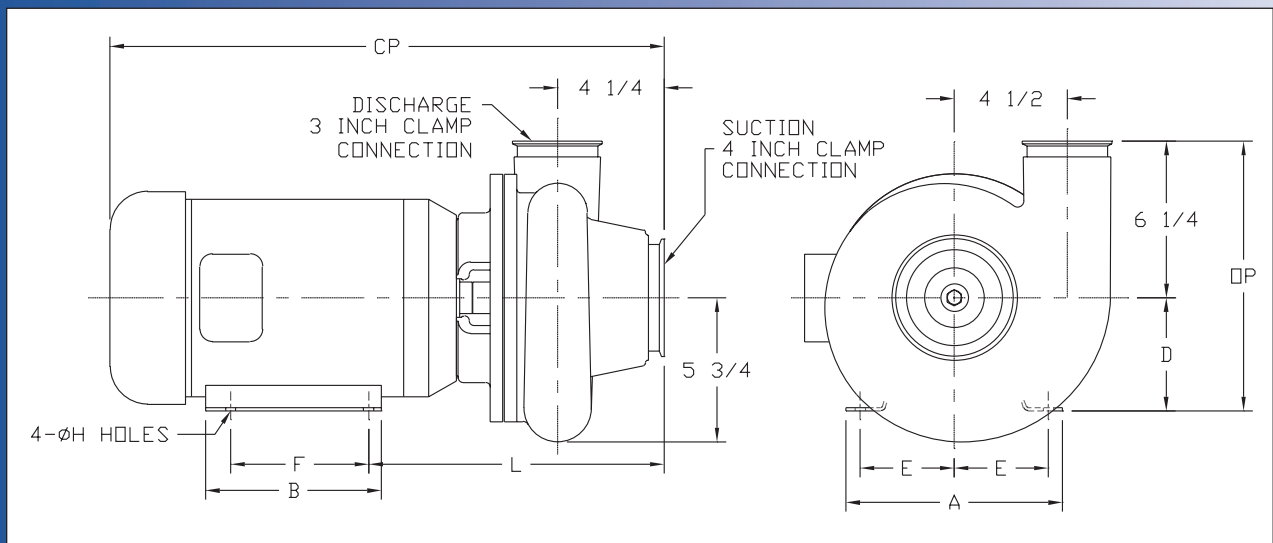
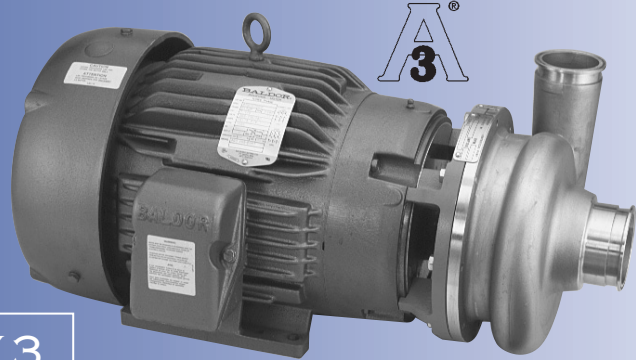
# Ampco Pumps Company

4424 West Mitchell Street  
Milwaukee, Wisconsin 53214  
PHONE (414) 643-1852  
FAX (414) 643-4452

# Ampco Centrifugal Pumps

## DATA SHEET

MODEL DC2/DCH2 4X3  
MODEL DC3/DCH3 4X3



|      | TEFC MOTOR |      |       | DIMENSIONS IN INCHES (For Reference Only) |         |       |       |       |       |          |          |        | APPROX. WEIGHT (LBS) |
|------|------------|------|-------|---|---------|-------|-------|-------|-------|----------|----------|--------|----------------------|
|      | HP         | RPM  | FRAME | A (typ)                                   | B (typ) | D     | E     | F     | H     | L        | CP       | OP     |                      |
| DC2  | 2          | 1750 | 145JM | 6-1/2                                     | 6       | 3-1/2 | 2-3/4 | 5     | 11/32 | 11-7/32  | 19-17/32 | 9-3/4  | 155                  |
| DC2  | 3          | 1750 | 182JM | 8-5/8                                     | 6-1/2   | 4-1/2 | 3-3/4 | 5-1/2 | 13/32 | 11-27/32 | 20-29/32 | 10-3/4 | 167                  |
| DC2  | 5          | 1750 | 184JM | 8-5/8                                     | 6-1/2   | 5-1/4 | 4-1/4 | 5-1/2 | 13/32 | 11-27/32 | 22-7/16  | 10-3/4 | 191                  |
| DC2  | 10         | 3500 | 215JM | 9-1/2                                     | 8       | 5-1/4 | 4-1/4 | 7     | 13/32 | 12-27/32 | 23-5/32  | 11-1/2 | 258                  |
| DCH2 | 15         | 3500 | 254JM | 11-1/2                                    | 9-3/4   | 6-1/4 | 5     | 8-1/4 | 17/32 | 14-11/32 | 27-5/32  | 12-1/2 | 379                  |
| DCH2 | 20         | 3500 | 256JM | 11-1/2                                    | 11-1/2  | 6-1/4 | 5     | 10    | 17/32 | 14-11/32 | 29       | 12-1/2 | 398                  |
| DCH2 | 25         | 3500 | 284JM | 12-3/4                                    | 12-3/4  | 7     | 5-1/2 | 9-1/2 | 9/16  | 14-11/32 | 32-17/32 | 13-1/4 | 533                  |
| DCH2 | 30         | 3500 | 286JM | 12-3/4                                    | 12-3/4  | 7     | 5-1/2 | 11    | 9/16  | 14-11/32 | 33-5/32  | 13-1/4 | 662                  |

## MATERIAL SPECIFICATIONS

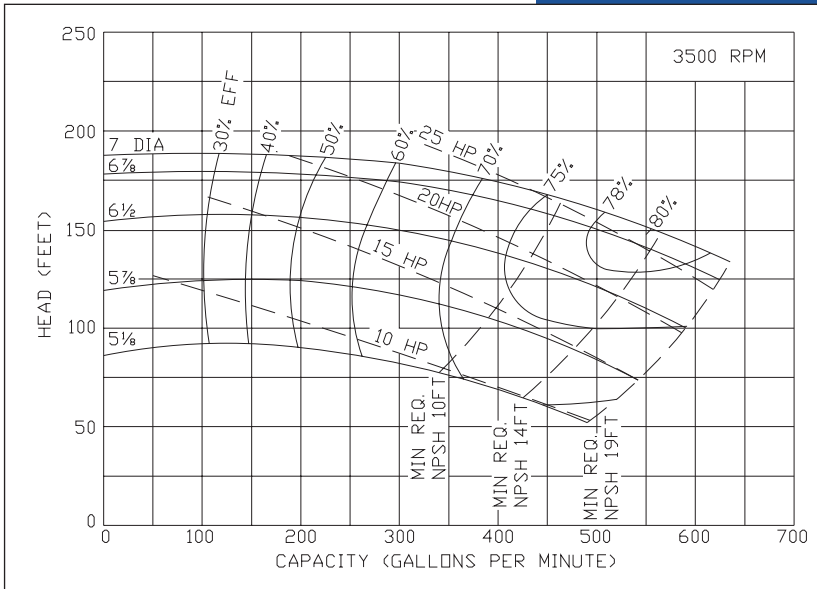
| PART NAME      | STAINLESS STEEL |
|----------------|-----------------|
| Casing & Cover | 316 Stainless   |
| Impeller       | 316 Stainless   |
| Motor Shaft    | Steel           |
| Shaft Sleeve   | 316 Stainless   |
| Adapter        | Cast Iron       |



# Ampco Centrifugal Pumps

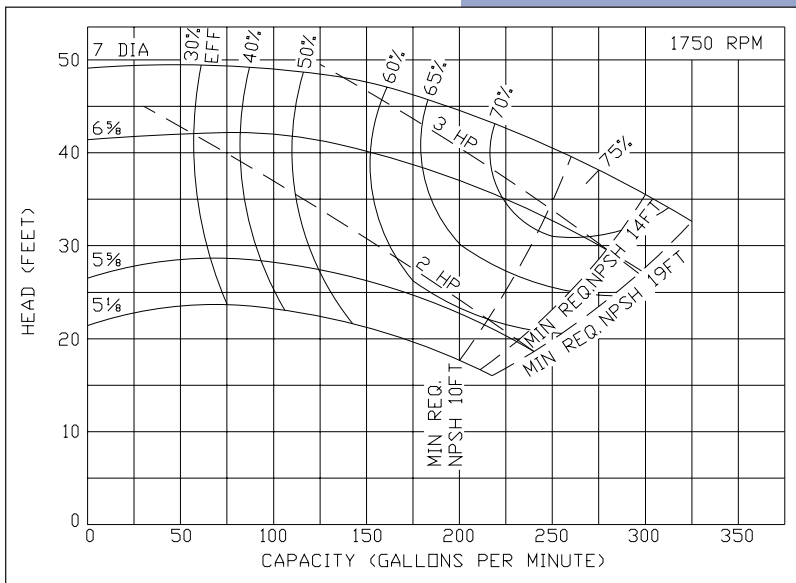
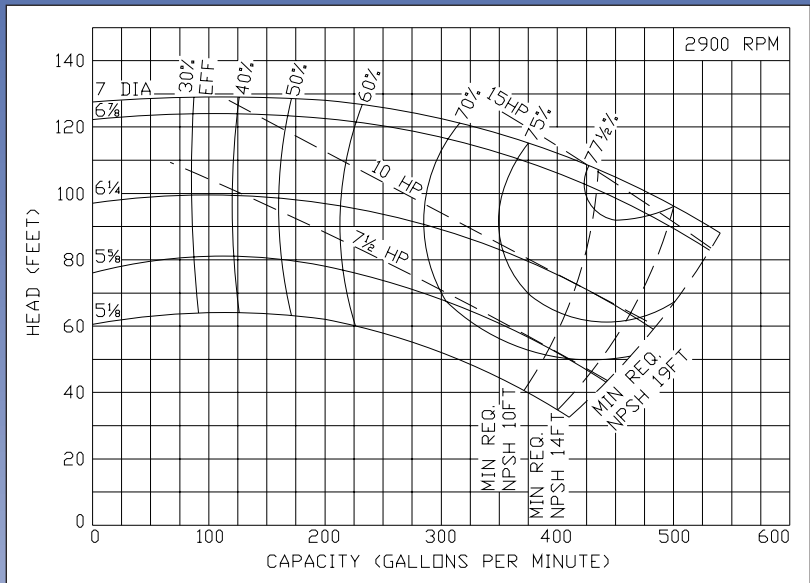
MODEL DC2/DCH2 4X3  
MODEL DC3/DCH3 4X3

Curves show approximate characteristics based on clear 68° water. Rated point is guaranteed.



DC3/DCH3 pumps are in conformance with 3A sanitary standards for centrifugal and positive rotary pumps for pumping cleaning and sanitizing solutions, Number 47-00.

DC2/DCH2 pumps are also available with 150 lb. flat faced flanged connections.



# Ampco Pumps Company

4424 West Mitchell Street  
Milwaukee, Wisconsin 53214  
PHONE (414) 643-1852  
FAX (414) 643-4452