

## Type 3005

Electromotive rotary actuator  
Elektromotorischer Drehantrieb  
Actionneur électrique



Operating Instructions

Bedienungsanleitung  
Instructions de Service

We reserve the right to make technical changes without notice.  
Technische Änderungen vorbehalten.  
Sous réserve de modifications techniques.

© Bürkert Werke GmbH & Co. KG, 2008 - 2017

Operating Instructions 1805/03\_EU-EN\_00805753 / Original DE

## Electromotive rotary actuator Type 3005

### CONTENTS

<b>1.</b>	<b>OPERATING INSTRUCTIONS.....</b>	<b>5</b>
1.1.	Symbols.....	5
<b>2.</b>	<b>CORRECT USE.....</b>	<b>6</b>
2.1.	Restrictions.....	6
<b>3.</b>	<b>GENERAL SAFETY INSTRUCTIONS.....</b>	<b>7</b>
<b>4.</b>	<b>GENERAL INFORMATION.....</b>	<b>8</b>
4.1.	Contact address.....	8
4.2.	Warranty.....	8
4.3.	Information on the Internet.....	8
<b>5.</b>	<b>SYSTEM DESCRIPTION.....</b>	<b>9</b>
5.1.	Designated Application Area.....	9
5.2.	General Description.....	9
5.3.	Exploded views.....	10
5.4.	Options.....	13
<b>6.</b>	<b>TECHNICAL DATA.....</b>	<b>14</b>
6.1.	Conformity.....	14
6.2.	Standards.....	14
6.3.	Approval.....	14
6.4.	Operating Conditions.....	14
6.5.	Identification.....	14
6.6.	General Technical Data.....	15
<b>7.</b>	<b>INSTALLATION.....</b>	<b>20</b>
7.1.	Safety instructions.....	20
7.2.	Installing the rotary actuator.....	20
<b>8.</b>	<b>INSTALLATION.....</b>	<b>24</b>

8.1.	Safety instructions .....	24
8.2.	Electrical installation .....	24
8.3.	Control card .....	29
9.	OPTION: ROTARY ACTUATORS WITH EMERGENCY CURRENT MODEL .....	33
9.1.	Description .....	33
9.2.	Technical Data .....	33
9.3.	Electrical connection of safety block .....	34
9.4.	Installation of safety block into the actuator drive .....	36
10.	START-UP .....	37
10.1.	Safety instructions .....	37
10.2.	Procedure .....	37
11.	OPERATION AND FUNCTION .....	38
11.1.	Safety instructions .....	38
11.2.	Manual operation .....	38
12.	MAINTENANCE, TROUBLESHOOTING .....	39
12.1.	Safety instructions .....	39
12.2.	Maintenance Work .....	39
12.3.	Malfunctions .....	39
13.	ACCESSORIES .....	41
14.	PACKAGING AND TRANSPORT .....	42
15.	STORAGE .....	42
16.	DISPOSAL .....	42

# 1. OPERATING INSTRUCTIONS

The operating instructions describe the entire life cycle of the device. Keep these instructions in a location which is easily accessible to every user and make these instructions available to every new owner of the device.

## **WARNING!**

**The operating instructions contain important safety information!**

Failure to observe these instructions may result in hazardous situations.

- The operating instructions must be read and understood.

## 1.1. Symbols

### **DANGER!**

**Warns of an immediate danger!**

- Failure to observe the warning may result in a fatal or serious injury.

### **WARNING!**

**Warns of a potentially dangerous situation!**

- Failure to observe the warning may result in serious injuries or death.

### **CAUTION!**

**Warns of a possible danger!**

- Failure to observe the warning may result in moderately serious or minor injuries.

### **NOTE!**

**Warns of damage to property!**

- Failure to observe the warning may result in damage to the device or the equipment.



Designates additional significant information, tips and recommendations.



Refers to information in these operating instructions or in other documentation.

→ designates a procedure which you must carry out.

## 2. CORRECT USE



### WARNING!

**Incorrect use of the electromotive rotary actuator Type 3005 can be dangerous to people, nearby equipment and the environment.**

- The rotary actuator can be used indoors, e.g. to actuate fittings, especially ball valves or shut-off flaps.
- During use observe the permitted data, the operating conditions and conditions of use specified in the contract documents and operating instructions, as described in chapter [“5. System Description”](#).
- The device may be used only in conjunction with third-party devices and components recommended and authorized by Bürkert (e.g. ATEX-approved components).
- Correct transportation, correct storage and installation and careful use and maintenance are essential for reliable and problem-free operation.
- Use the device only as intended.

### 2.1. Restrictions

If exporting the system/device, observe any existing restrictions.



Operate the device only when it is in perfect condition and in accordance with the operating instructions.

### 3. GENERAL SAFETY INSTRUCTIONS

These safety instructions do not make allowance for any:

- Contingencies and events which may arise during the installation, operation and maintenance of the devices.
- Local safety regulations; the operator is responsible for observing these regulations, also with reference to the installation personnel.



#### **DANGER!**

##### **Risk of electric shock!**

There is a serious risk of injury when reaching into the device.

- Before reaching into the device, always switch off the power supply and safeguard to prevent re-activation!
- Connect several electromotive rotary actuators always with phase separation via a switch.
- Protect the device with a mains-operated fuse.
- Observe applicable accident prevention and safety regulations for electrical equipment!

##### **Danger of explosion!**

For specific device designs there is a risk of explosion if the device is opened in the explosion-protected area.

- Follow the safety instructions on the type label!

##### **Danger of explosion caused by electrostatic charge!**

If there is a sudden discharge from electrostatically charged devices or persons, there is a danger of explosion in the EX area.

- Take appropriate measures to prevent electrostatic charges in the EX area.
- Clean the device surface by wiping it gently with a damp cloth.

##### **General hazardous situations.**

To prevent injury, ensure:

- That the system cannot be activated unintentionally.
- Type 3005 must not be used in areas where there is a risk of explosion (in this case please use type 3004).
- Do not put any loads on the body (e.g. by placing objects on it or standing on it).
- Do not make any external modifications to the device bodies. Do not paint the body parts or screws.
- Do not install the actuator with the cover facing down (head first).
- Installation and repair work may be carried out by authorized technicians only and with the appropriate tools.
- After an interruption in the power supply or pneumatic supply, ensure that the process is restarted in a defined or controlled manner.
- The device may be operated only when in perfect condition and in consideration of the operating instructions.
- The general rules of technology apply to application planning and operation of the device.

## 4. GENERAL INFORMATION

### 4.1. Contact address

#### Germany

Bürkert Fluid Control System  
Sales Center  
Chr.-Bürkert-Str. 13-17  
D-74653 Ingelfingen  
Phone: +49 (0)7940 - 10 91 111  
Fax: +49 (0)7940 - 10 91 448  
E-mail: info@de.buerkert.com

#### International

Contact addresses can be found on the final pages of the printed operating instructions.

And also on the internet at:

[www.buerkert.com](http://www.buerkert.com)

### 4.2. Warranty

The warranty is only valid if the electromotive rotary actuator Type 3005 is used as intended in accordance with the specified application conditions.

### 4.3. Information on the Internet

The operating instructions and data sheets for Type 3005 can be found on the Internet at:

[www.burkert.com](http://www.burkert.com)



## 5. SYSTEM DESCRIPTION

### 5.1. Designated Application Area

The electromotive rotary actuator Type 3005 (designated below as rotary actuator) was developed to control ball valves or flap valves with a quarter turn. Optionally the actuator is also available at a rotation angle of 180° and 270°.

### 5.2. General Description

On account of its modular design the basic device can be expanded with many options.



Options for expanding the basic device can be found in chapter [“5.4. Options”](#).

The rotary actuator is a compact and powerful actuator system which ensures a long service life. The rotary actuator has been designed for direct or alternating current at varying output and for torques from 25 to 1000 Nm (actuator with analogue signal 25 - 300 Nm).

The utilized materials guarantee maintenance-free operation and ensure a low thermal load. All standard version rotary actuators feature manual emergency actuation and two additional limit switches and are tested by the manufacturer. The limit switches have been set to 0 ... 90° swivel operation.

The electromotive rotary actuator is available as an On/Off or variable speed actuator. It can be combined with the following components:

- Stainless steel ball valve with two-part body (Type 2651),
- Stainless steel ball valve with three-part body (Type 2654),
- Plastic ball valve (Type 2657),
- Metal flap valve (Type 2671),
- Plastic flap valve (Type 2674).

The actuator direction cannot be reversed in the same operating process. The rotary actuator does not reverse automatically.

Mechanical operation is also possible via the handwheel on the rotary actuator. In electrical mode the handwheel is not rotated with the actuator.

### 5.3. Exploded views

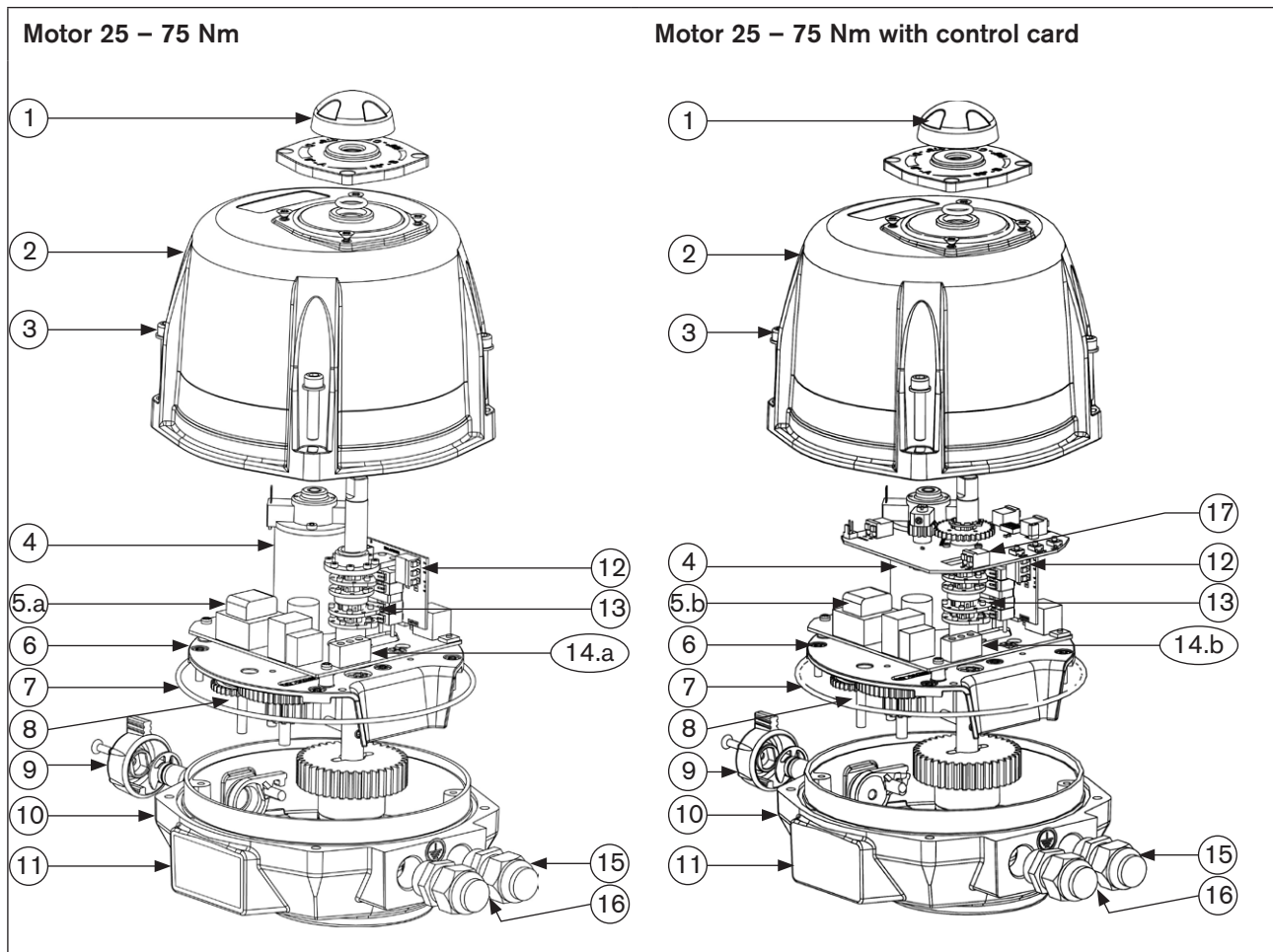


Figure 1: Exploded view of motor 25 - 75 Nm

No.	Designation
1	Position indicator
2	Hood
3	Stainless steel screws
4	Motor
5.a*	Control and power supply card
5.b*	Power supply card
6	Gear plate
7	O-ring
8	Gears
9	Push-button

No.	Designation
10	Body
11	Place for type label
12	Additional limit switch
13	Cams
14.a*	Control and power supply
14.b*	Terminal strip for power supply
15	Threaded connection ISO M20
16	Screw for earth
17	Control card (for variable speed actuator only)

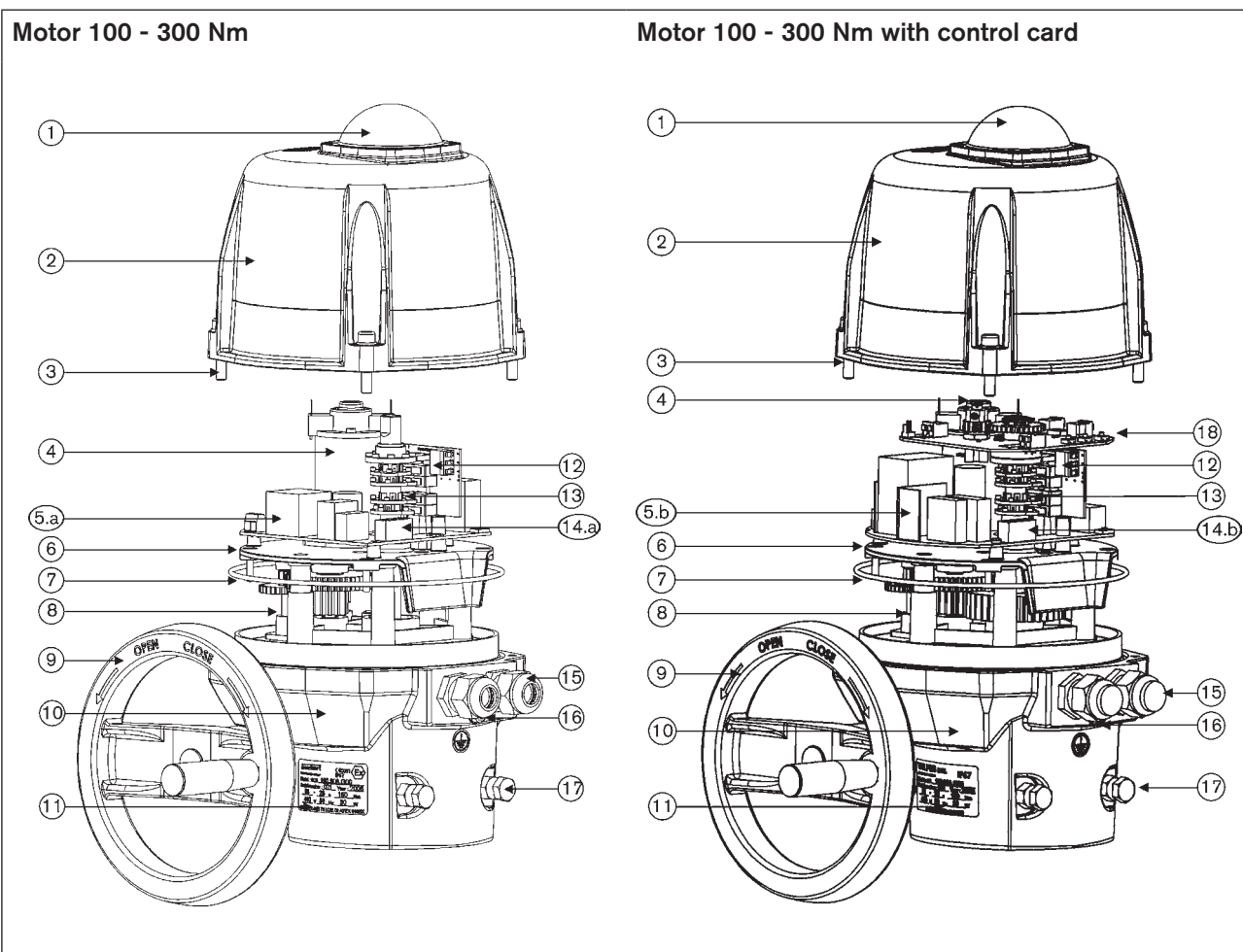


Figure 2: Exploded view of motor 100 – 300 Nm

No.	Designation
1	Position indicator
2	Hood
3	Stainless steel screws
4	Motor
5.a*	Control and power supply card
5.b*	Power supply card
6	Gear plate
7	O-ring
8	Gears
9	Handwheel

No.	Designation
10	Body
11	Type label
12	Additional limit switch
13	Cams
14.a*	Control and power supply
14.b*	Terminal strip for power supply
15	Threaded connection ISO M20
16	Screw for earth
17	Mechanical limit stops
18	Control card (for variable speed actuator only)

**Motor 600 - 1000 Nm**

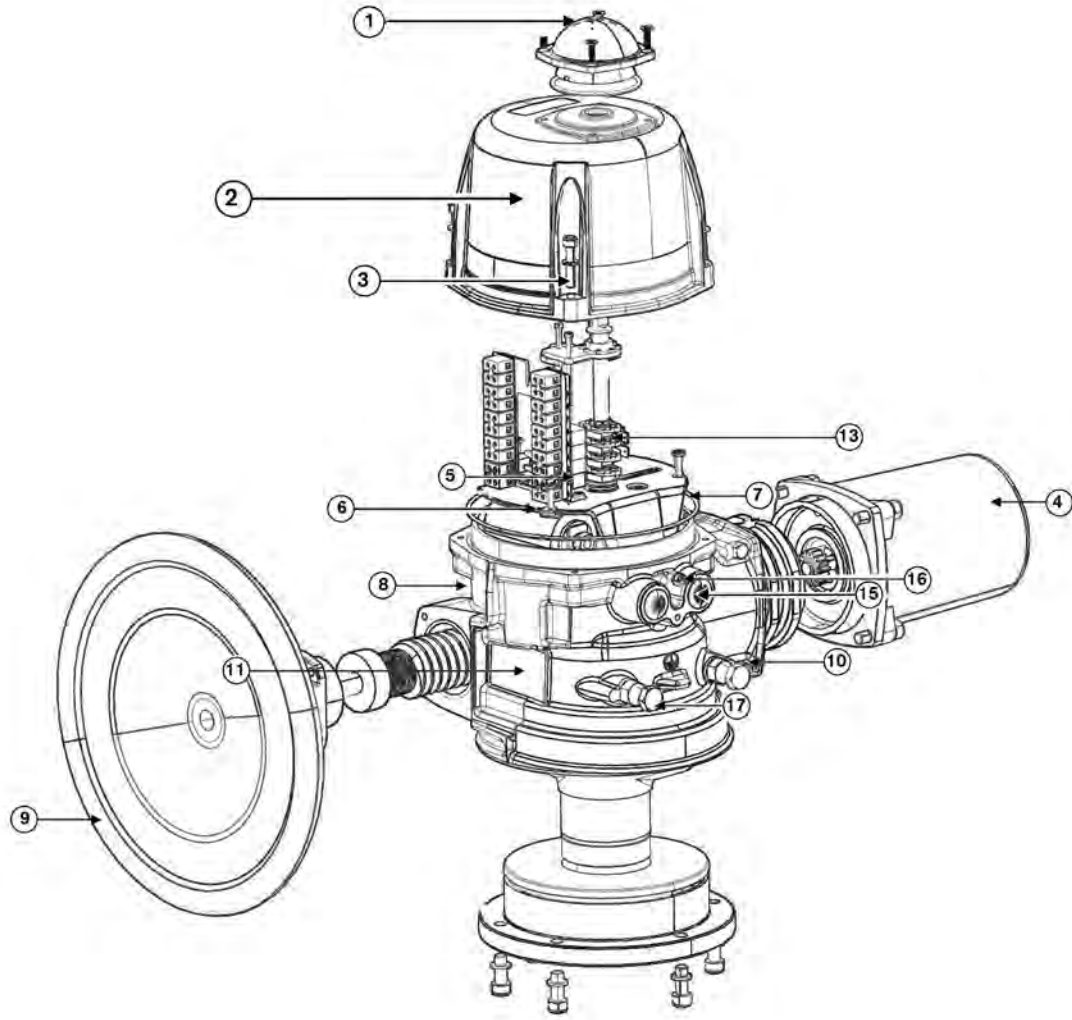


Figure 3: Exploded view of motor 600 - 1000 Nm

No.	Designation
1	Position indicator
2	Hood
3	Stainless steel screws
4	Motor
5	Control and power supply card
6	Gear plate
7	O-ring
8	Gears

No.	Designation
9	Handwheel
10	Body
11	Place for type label
13	Cams
15	Threaded connection ISO M20x1.5
16	Screw for earth
17	Mechanical limit stops

## 5.4. Options

- Three-position rotary actuator (180°)
- Rotation angle 180° or 270°
- Rotary actuator with feedback potentiometer
  - Potentiometer with resistance values 100  $\Omega$ , 1 K $\Omega$ , 5 K $\Omega$  or 10 K $\Omega$
  - Analogue feedback via signal: 0 – 10 V, 0 – 20 mA, 4 – 20 mA
- Rotary actuator with emergency current model  
(see Chapter [“9. Option: Rotary actuators with emergency current model”](#)).
- 2 additional limit switches

## 6. TECHNICAL DATA

### 6.1. Conformity

The explosion-protected electric rotary actuator Type 3005 conforms to the EC Directives according to the Declaration of Conformity.

### 6.2. Standards

The applied standards which are used to demonstrate compliance with the EC Directives are listed in the EC type test certificate and/or the EC Declaration of Conformity.

### 6.3. Operating Conditions

Ambient temperature:               -20 °C ... +70 °C  
  -10 °C ... + 40 °C Emergency reset

Protection class:                    IP67 in accordance with EN 60529 with cable bushing ISO 20 or protective flap

#### **NOTE!**

- Avoid heat sources which may result in the permitted temperature range to be exceeded.

### 6.4. Identification

The rotary actuator is fitted with a type label which uniquely identifies the device and indicates the most important technical data.



Do not remove the type label from the rotary actuator!

It is essential for identification when installing and servicing the device.

The warranty is void without the type label.

### 6.4.1. Description of the type label.

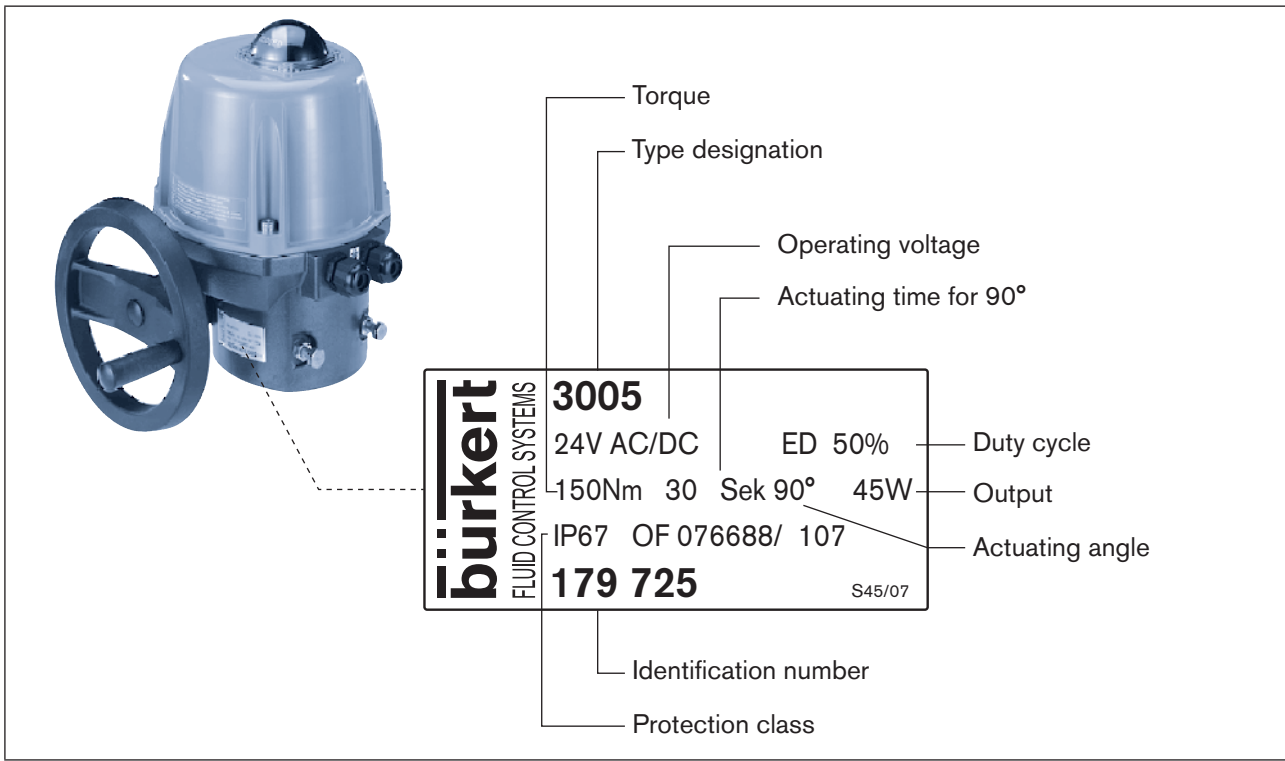


Figure 4: Example of type label labelling

## 6.5. General Technical Data

### 6.5.1. Mechanical data

Dimensions:	See chapter <a href="#">“6.5.2. Dimensions”</a>
Weight:	25 – 75 Nm; 3.1 kg 100 – 300 Nm; 5.6 kg 600 - 1000 Nm; 20 kg
Body material:	Body made of aluminium Cover made of polyamide (optionally aluminium) Axles and screws made of stainless steel Gears made of galvanized steel
Actuating angle:	90° (optional 180°, 270°) ± 5°
Duty cycle:	50% at maximum torque (optionally 80%)
Manual emergency actuation:	with open-end wrench on faces of the axle (up to 75 Nm); by handwheel (from 100 Nm)
Working modes:	Open/Closed mode or Three points mode (see figure <a href="#">“Figure 17”</a> and <a href="#">“Figure 18”</a> )

### 6.5.2. Dimensions

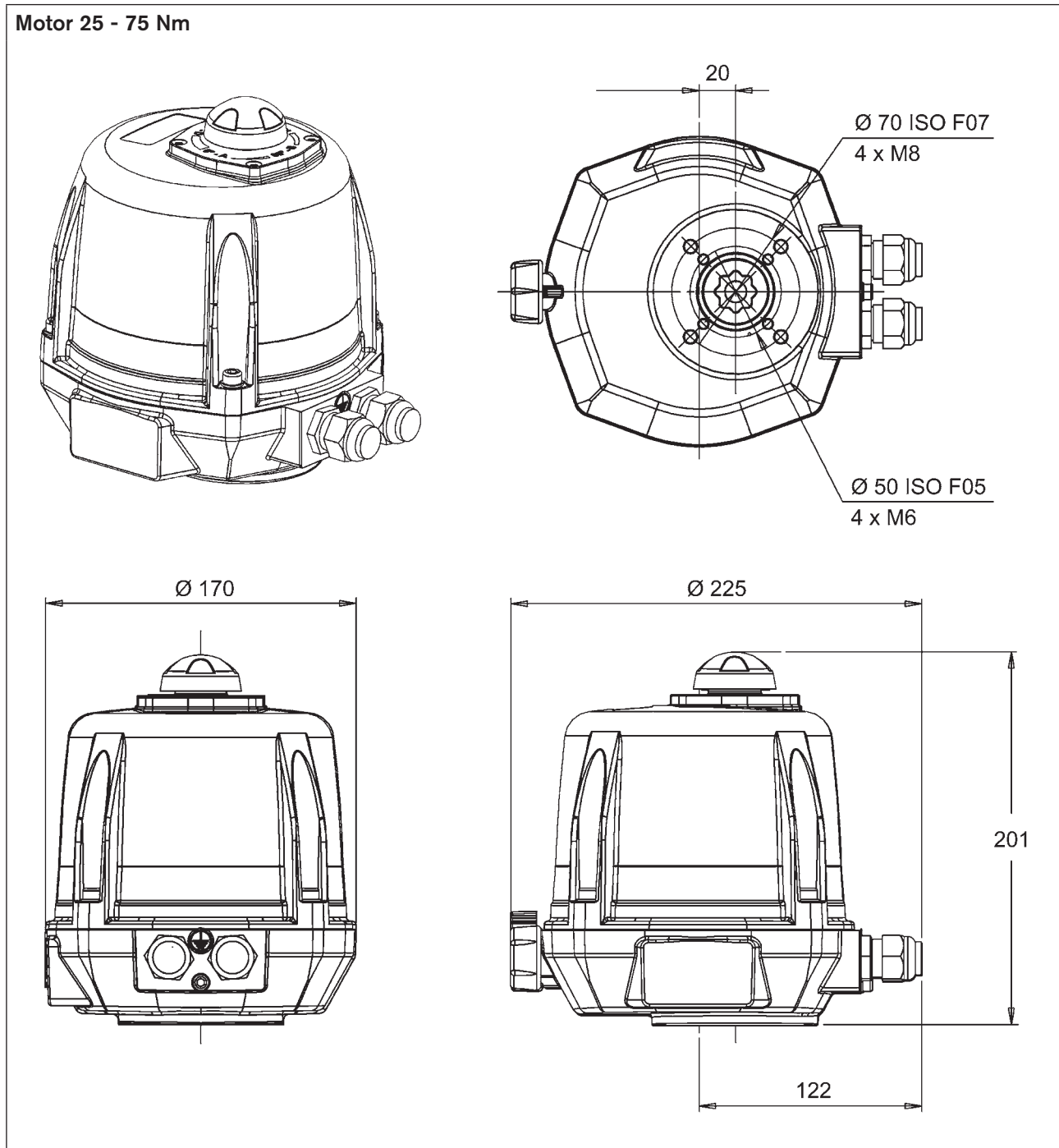
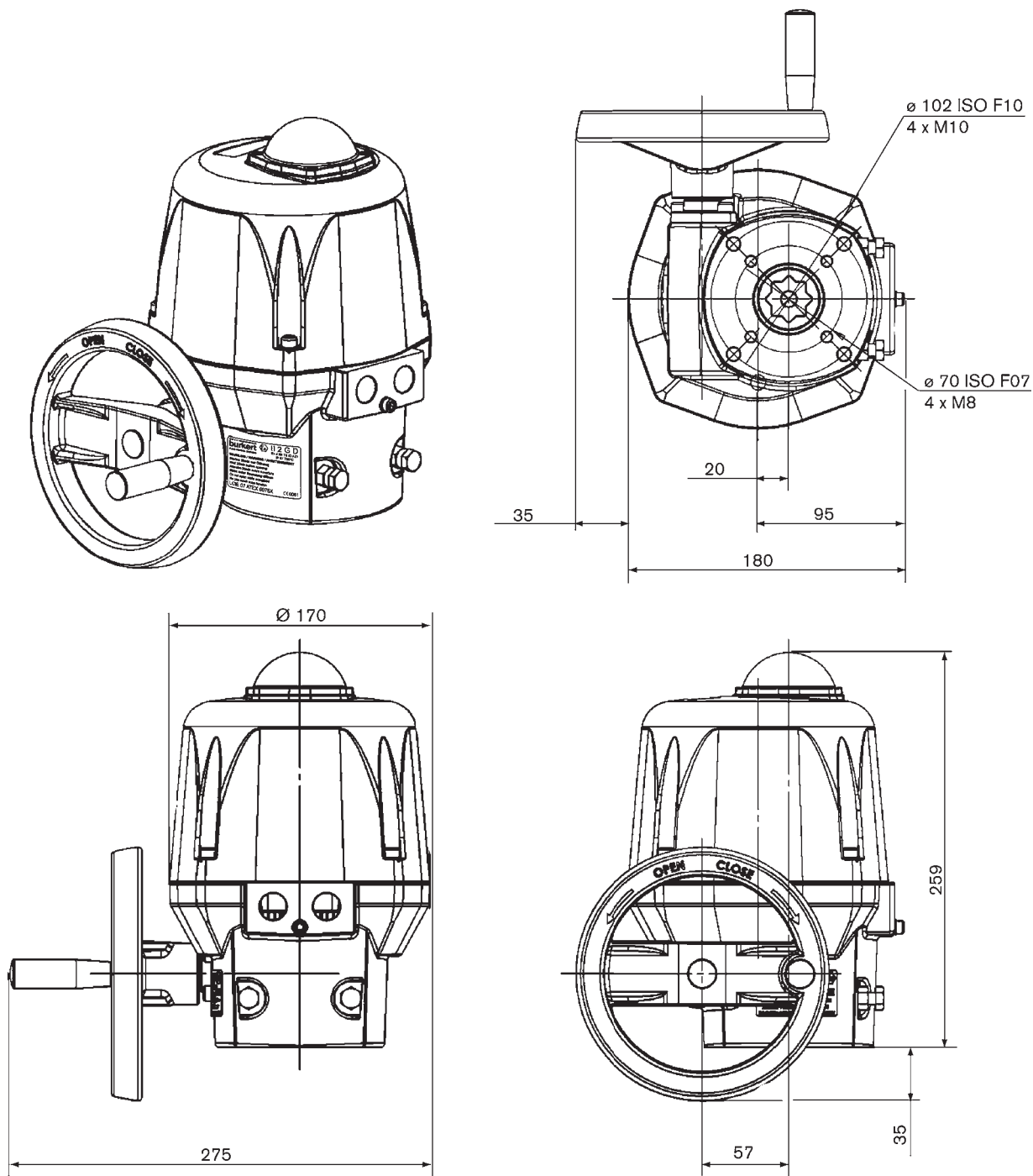


Figure 5: Dimensions Type 3005 at torque 25 – 75 Nm



**Motor 100 – 300 Nm**



MAN 1000105907 ML Version: F Status: RL (released | freigegeben) printed: 22.05.2018

Figure 6: Dimensions Type 3005 at torque 100 – 300 Nm

**Motor 600 - 1000 Nm**

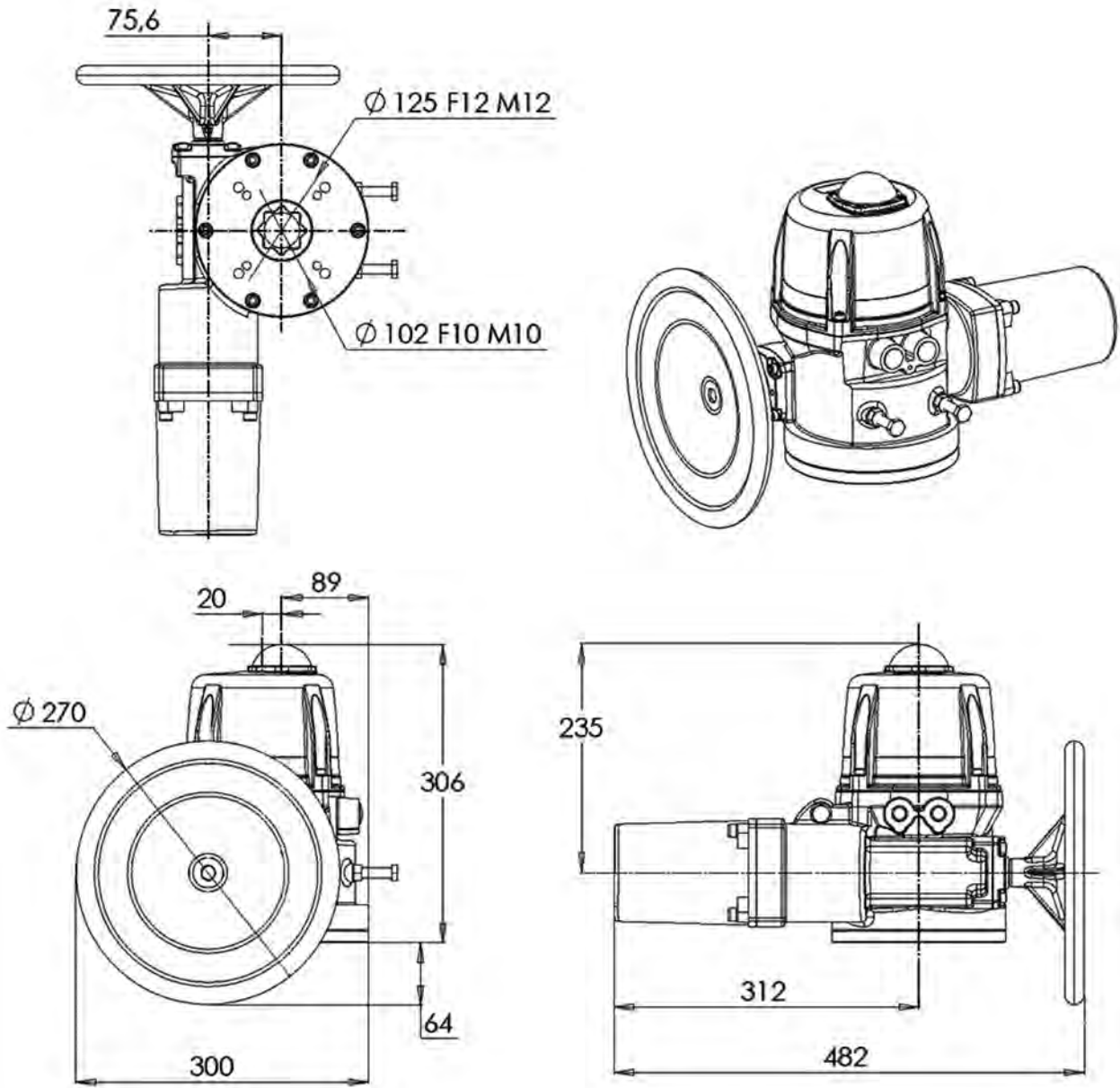


Figure 7: Dimensions Type 3005 at torque 600 - 1000 Nm

### 6.5.3. Electrical data

Connections: 2 threaded connections ISO 20  
 Limit switches: 2 limit switches for the motor  
 2 potential-free limit switches (for position feedback)  
 Output: max. 250 V AC / 5 A

Electrical data for standard version without analogue signal and position controller version with 4 – 20 mA, 0 – 20 mA or 0 – 10 V analogue input signal

Torque [Nm]	90° actuating time [s]	Power input [W]	Voltage / frequency [V / Hz]
25	7	45	100-240 / 50/60 (100-350 DC)
			15-30 AC (12-48 DC <sup>1)</sup> )
45	15	45	100-240 / 50/60 (100-350 DC)
			15-30 AC (12-48 DC <sup>1)</sup> )
75	20	45	100-240 / 50/60 (100-350 DC)
			15-30 AC (12-48 DC <sup>1)</sup> )
100	15	45	100-240 / 50/60 (100-350 DC)
			15-30 AC (12-48 DC <sup>1)</sup> )
150	30	45	100-240 / 50/60 (100-350 DC)
			15-30 AC (12-48 DC <sup>1)</sup> )
300	60	45	100-240 / 50/60 (100-350 DC)
			15-30 AC (12-48 DC <sup>1)</sup> )
600	38	250	100-240 / 50/60 (100-350 DC)
			15-30 AC (12-48 DC <sup>1)</sup> )
1000	38	250	100-240 / 50/60 (100-350 DC)
			15-30 AC (12-48 DC <sup>1)</sup> )



We recommend an actuator designed with 1.5 times the maximum torque of the fitting (with 2 times the maximum torque for variable speed actuators)

<sup>1)</sup> The operating voltage must not drop below 11.5 V

## 7. INSTALLATION

### 7.1. Safety instructions

#### **DANGER!**

##### **Risk of electric shock!**

There is a serious risk of injury when reaching into the device.

- Always disconnect the power and secure it from re-activation before removing the cover, disconnecting the gears or using the lever.
- Connect several rotary actuators always with phase separation via a switch!
- Protect the rotary actuators with a mains-operated fuse!
- Observe applicable accident prevention and safety regulations for electrical equipment!

#### **WARNING!**

##### **Danger - improper installation!**

Improper installation may result in injuries as well as damage to the device and the area around it.


- Installation may be carried out by authorised technicians only and with the appropriate tools!
- Observe the specifications in chapter [“6. Technical Data”](#).

##### **Danger due to unintentional activation of the device!**

Unintentional activation of the device during installation may result in injuries and damage.

- Take appropriate measures to prevent the device from being accidentally actuated.

### 7.2. Installing the rotary actuator

 The rotary actuator is supplied with the presetting <Closed>.

The rotary actuator can be fitted to a ball valve or flap valve via the following fastening options:

- ISO F05 (4 x M6 with a flange Ø of 50 mm)
- ISO F07 (4 x M8 with a flange Ø of 70 mm)
- ISO F10 (4 x M10 with a flange Ø of 102 mm)
- ISO F12 (4 x M12 with a flange Ø of 125 mm)

#### 7.2.1. Shaft end

The sizes of the inner star shape of the shaft end depend on the size of the actuator. Only the standard size of the inner star shape is enclosed with each actuator (see table).

Actuator size [Nm]	Standard size of the inner star shape [mm]
25	17 / 11
45 / 75	17 / 14

Actuator size [Nm]	Standard size of the inner star shape [mm]
100 / 150 / 300	22 / 17
600 / 1000	36



The shaft ends of the ball valves / flap valves can be adjusted to the supplied star shape size with reducing sleeves which can be purchased separately.

The order numbers and an overview of the available reducing sleeves can be found in the chapter entitled ["13. Accessories"](#).

Further information is available from your Bürkert sales office.



#### Important information for continuous function:

Do not attach rotary actuator head first!

Otherwise the medium may run out of the fitting into the actuator.

The required installation height of the rotary actuator above the ball valve / flap valve can be found in the chapter entitled Dimensions. Specify an additional distance of 100 mm.

#### Installation procedure:

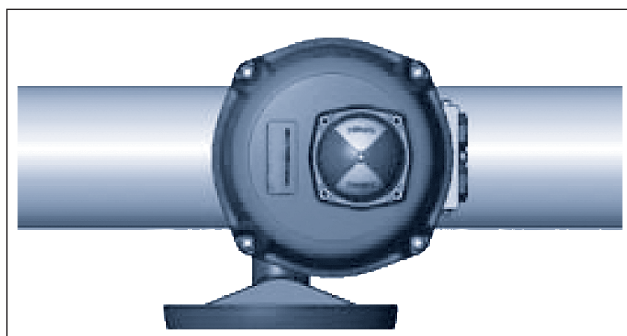


Figure 8: Standard installation

→ Ensure that the ball valve / the flap valve is in its closed position.

→ Carefully connect the rotary actuator to the shaft of the ball valve / flap valve.



When connecting the rotary actuator, ensure that it is not twisted and that the fastening threads of the rotary actuator are covered by the fastening bores of the ball valve / flap valve.

→ Screw the fastening screws into the fastening threads of the rotary actuator and tighten them firmly (max. 3 Nm).

#### 7.2.2. Set mechanical end position limit (actuators 100 – 1000 Nm)



The mechanical end position limits have been preset at the factory and glued on with Loctite. However, they can be adjusted by turning the screws M8 Pos. 17 (see ["Figure 2"](#) und ["Figure 3"](#)). Then the nuts must be glued on again.

→ Loosen the M8 nuts on the mechanical limit stops 17 (see ["Figure 2"](#) und ["Figure 3"](#)) and adjust the mechanical end position limits.

→ Glue nuts on again with Loctite (e. g. Loctite 577).

### 7.2.3. Adjusting limit switch contacts



The two upper limit switch contacts have been set to 0 – 90° at the factory.

#### Removing position indicator and hood

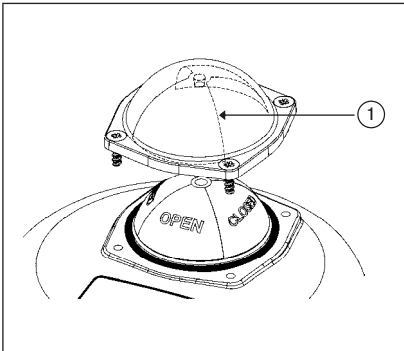


Figure 9: Removing glass hood

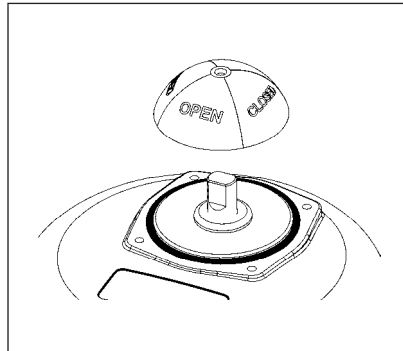


Figure 10: Removing position indicator

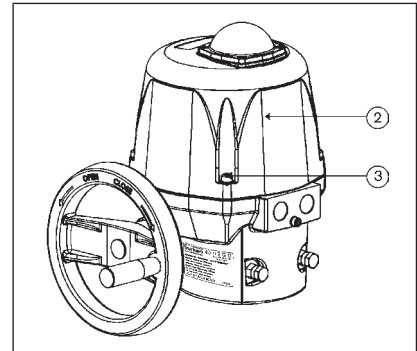


Figure 11: Removing hood

#### Procedure:

- Remove glass hood of the position indicator 1 including the sealing ring by loosening the four fastening screws and remove the glass hood (see “Figure 9”).
- Remove position indicator (see “Figure 10”).
- Remove hood 2 by loosening the four fastening screws 3 (see “Figure 11”).

#### Adjusting cams for limit switch contacts

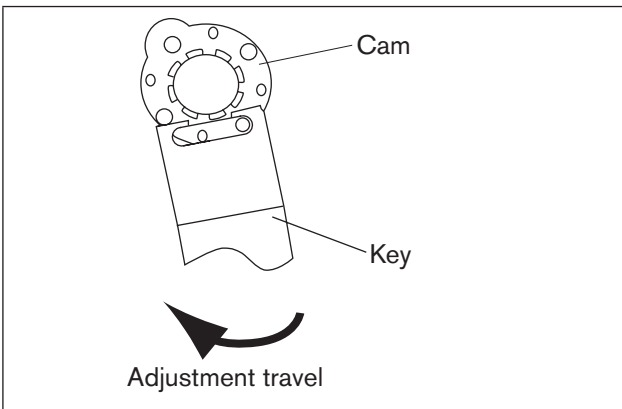


Figure 12: Adjusting limit switch clockwise

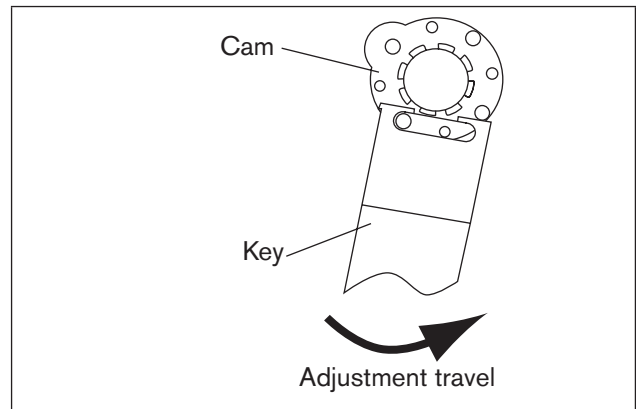


Figure 13: Adjusting limit switch anti-clockwise

#### Procedure:

- Adjust the two upper cams with a suitable key (see “Figure 12” and “Figure 13”).
- On completion of the adjustment work, re-attach the hood 3, the position indicator, the seal and the glass hood 1.



The rotary actuator is supplied ex works with the following settings:

- The limit switch CLOSED (FCF) is actuated by the cam (closed position).
- The limit switch OPEN (FCO) is preset to a rotation angle of 90°.

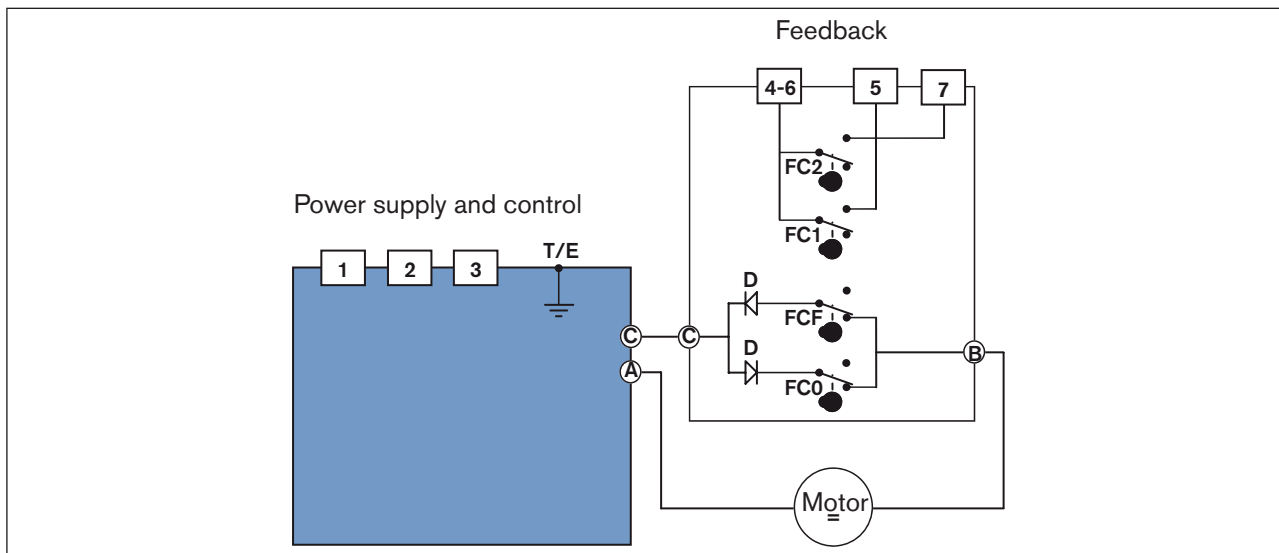


Figure 14: Internal wiring of actuator

## 8. INSTALLATION

### 8.1. Safety instructions



#### WARNING!

##### Danger - improper installation!

Improper installation may result in injuries as well as damage to the device and the area around it.

- Fluid and electrical installations may be carried out by authorised technicians only and with the appropriate tools!

##### Danger due to unintentional activation of the equipment!

Unintentional activation of the equipment during installation work may result in injuries and/or damage.

- Take appropriate measures to prevent the equipment from being unintentionally activated.

### 8.2. Electrical installation



#### DANGER!

##### Risk of electric shock!

There is a serious risk of injury when reaching into the device.

- Before starting work, always switch off the power supply and safeguard to prevent re-activation!
- Observe applicable accident prevention and safety regulations for electrical equipment!
- Attach earthing cable via the earthing screw!



Check on the type label of the rotary actuator whether the indicated voltage corresponds with the mains voltage.



Cables with a diameter of 7 to 12 mm are permitted for the electrical installation. The utilized cables must have an upper limit temperature of at least 80 °C.  
Use only ATEX-approved cables and cable bushings.

#### Preparatory work:

- Remove stainless steel screws 3 for the hood 2 and carefully remove the hood (see [“Figure 1”](#), [“Figure 2”](#) and [“Figure 3”](#)).

#### 8.2.1. Earth connection on outside or inside

The earthing cable for the power supply and control must be attached with the earthing screw 16 (M5) to the outer body (see [“Figure 1”](#), [“Figure 2”](#) and [“Figure 3”](#)).

##### Procedure:

- Loosen earthing screw 16 and attach eyelet of the earthing cable to the earthing screw (see [“Figure 1”](#), [“Figure 2”](#) and [“Figure 3”](#)).
- Optionally the earthing screw can be connected to Pos. A of the power supply card.
- To do this, loosen earthing screw and attach eyelet of the earthing cable with the earthing screw (see [“Figure 15”](#) and [“Figure 16”](#)).



### 8.2.2. 100-240 V AC (100-350 V DC) or 15-30 V AC (12-48 V DC) standard version



The power supply voltage of the actuator is 15-30 V AC (12-48 V DC) or 100-240 V AC (100-350 V DC).

Always observe the specifications on the type label!

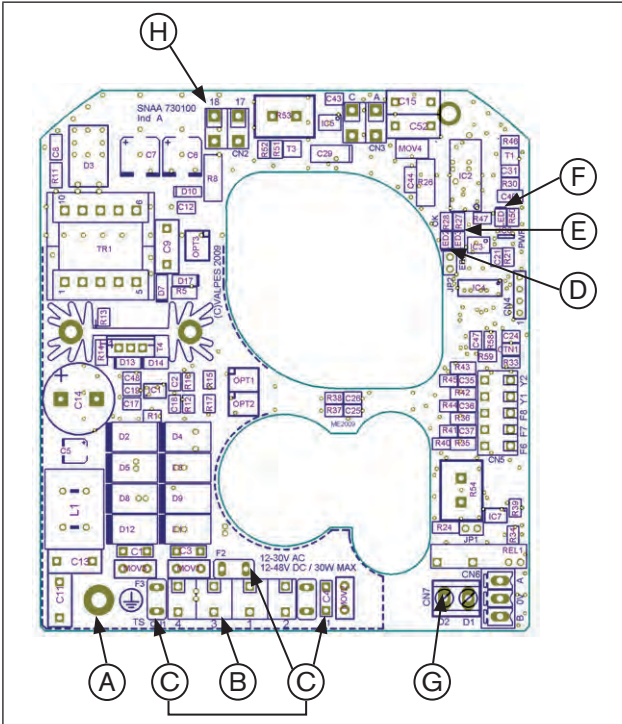


Figure 15: Power supply circuit board 15-30 V 50/60 Hz (12-48 V DC)

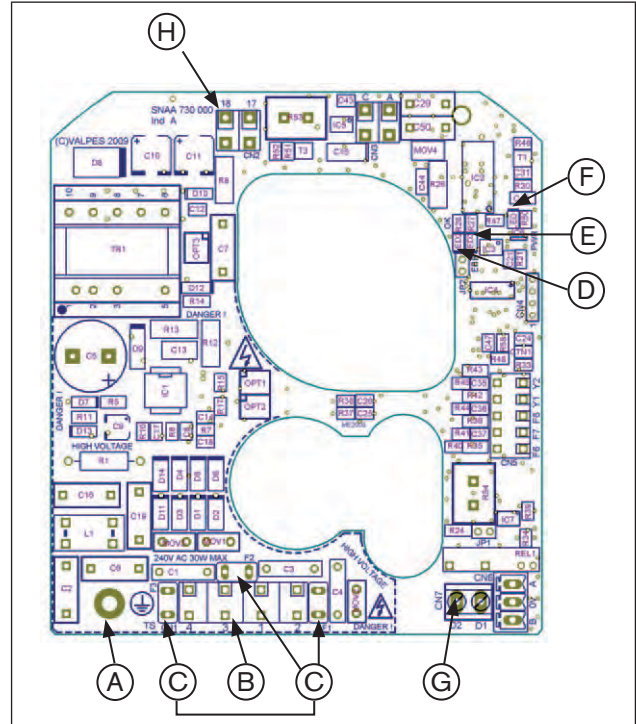


Figure 16: Power supply circuit board 100-240 V 50/60 Hz (100-350 V DC)

No.	Designation
A	Screw for earthing
B	Connections for control and power supply
C	Fuse
D	LED 1: Microprocessor OK

No.	Designation
E	LED 2: Error message
F	LED 3: Power on
G	Connection for error feedback (24 V DC - 3 A max)
H	Connection 24 V DC

The rotary actuator can be connected and operated in two different modes:

1. Three points mode
2. Open / Closed mode

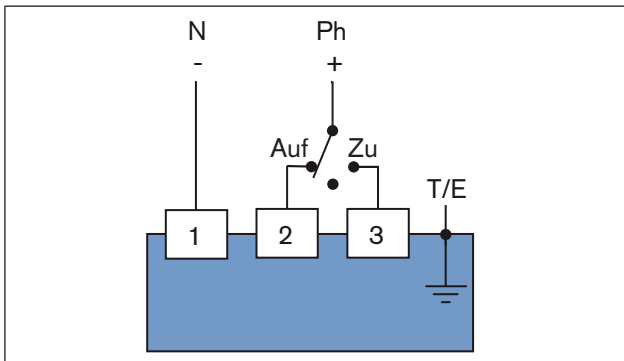


Figure 17: Three points mode

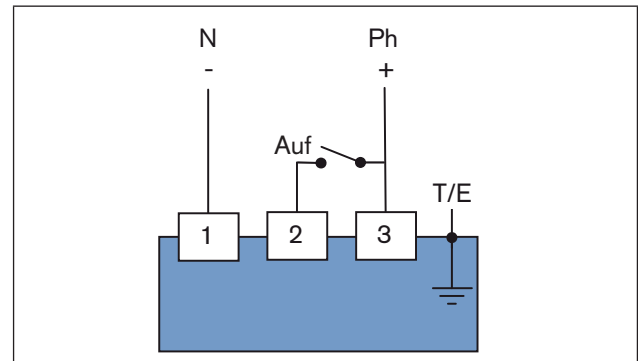


Figure 18: Open / Closed mode / Emergency current model

**!** If voltage is applied simultaneously to terminals 2 and 3, terminal 2 is the leading one and the actuator moves to the OPEN position.

**Procedure:**

- Loosen left cable gland 15 (see “Figure 1” and “Figure 2”) and feed through the cable to be connected.
- Connect cable according to the required control type (see “Figure 17” and “Figure 18”) to the terminal strip Pos. B of the power supply card (see “Figure 15” and “Figure 16”).

**Operating principle for Open / Closed mode (see “Figure 18”) :**

- Switch open = actuator closes
- Switch closed = actuator opens

**Connecting feedback**

**!** The limit switches for the feedback are suitable for a maximum voltage of 250 V AC/DC – 5 A.

The rotary actuator features two additional limit switch contacts which are supplied by the factory in an open position. These can be used for the feedback of the rotary actuator.

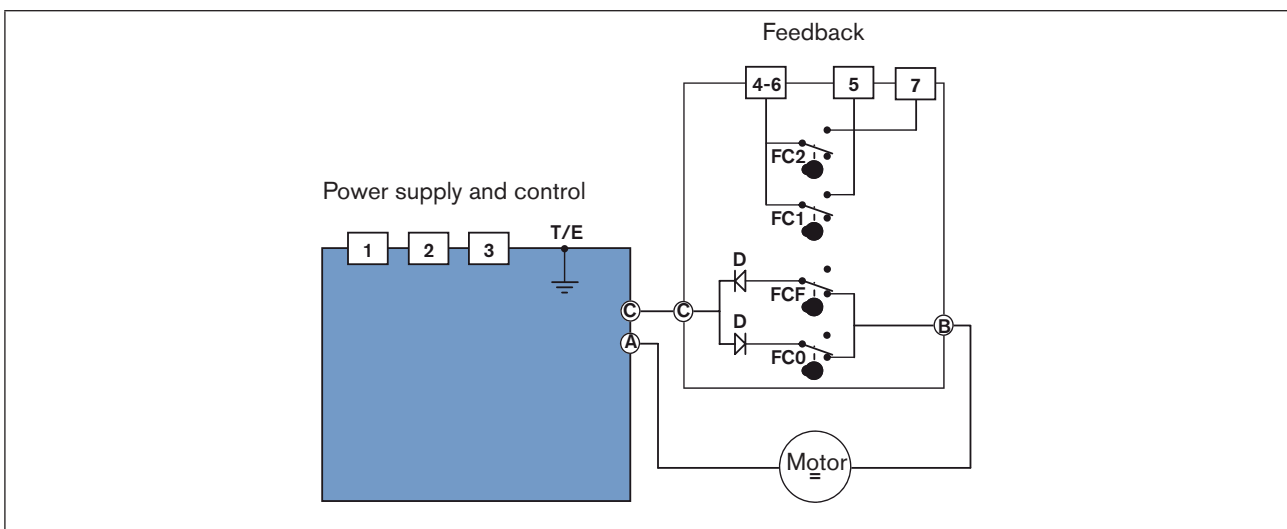


Figure 19: Internal wiring of actuator

The limit switch contacts are actuated via two cams no. 13 (see [“Figure 1”, page 10](#) and [“Figure 2”, page 11](#)).

- The white cam is used to record the opening process (FC1).
- The black cam is used to record the closing process (FC2).

**Procedure:**

→ Connect cable to the terminal strip 12 (see [“Figure 1”, page 10](#) and [“Figure 2”, page 11](#)) according to the schematic (see [“Figure 19”](#)).

**8.2.3. Version with analog signal input**



The power supply voltage of the actuator is 15-30 V AC (12-48 V DC) or 100-240 V AC (100-350 V DC).

Always observe the specifications on the type label!

MAN 1000105907 ML Version: F Status: RL (released | freigegeben) printed: 22.05.2018

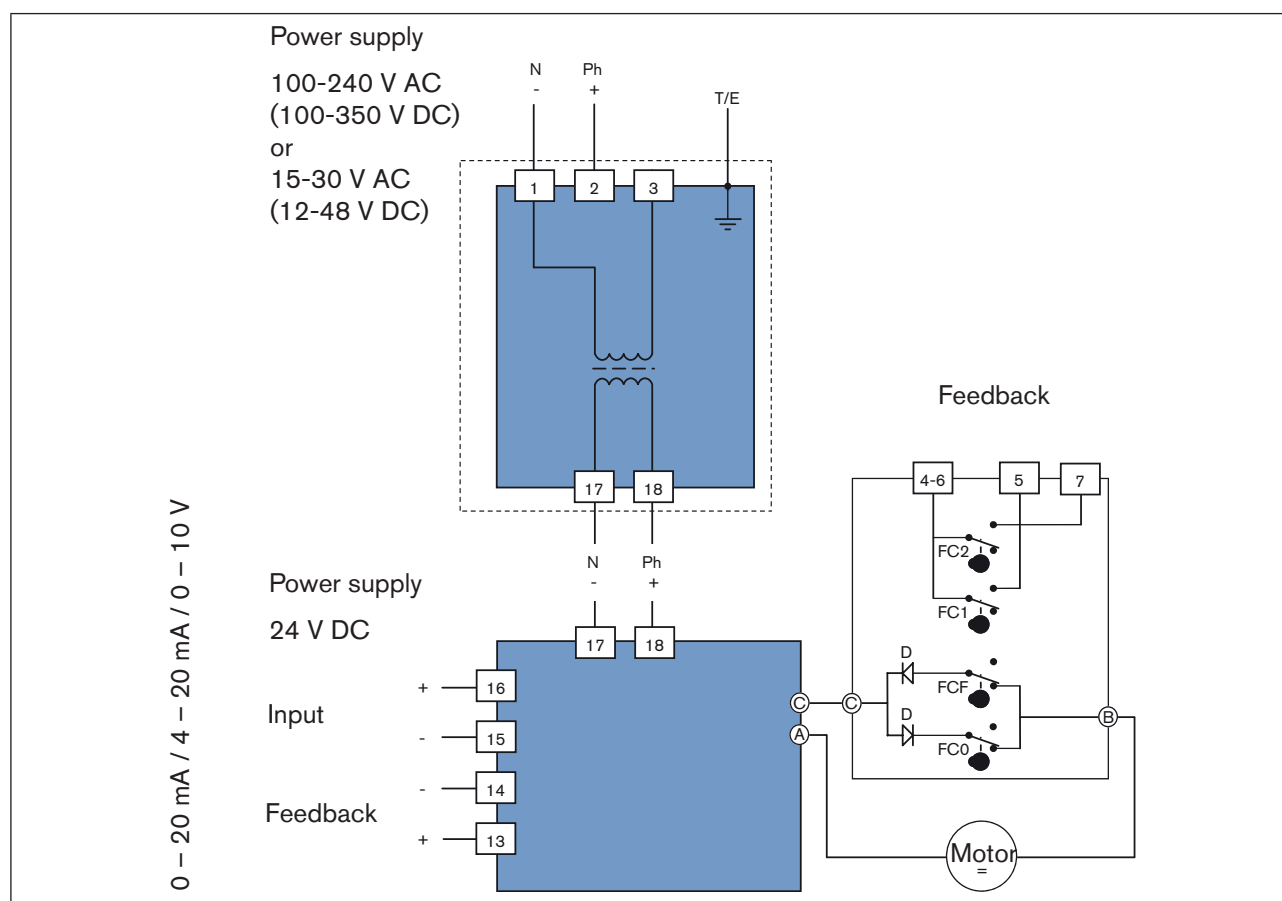


Figure 20: Circuit diagram

**Procedure:**

- Loosen left cable gland 15 and feed through the cable to be connected (see [“Figure 1”, page 10](#) and [“Figure 2”, page 11](#)).
- Connect cable according to the circuit diagram (see [“Figure 20”](#)) to the terminal strip Pos. 14 of the power supply card (see [“Figure 1”](#) and [“Figure 2”](#)).

### Connecting feedback

**!** The limit switches for the feedback are suitable for a maximum voltage of 250 V AC/DC – 5 A.

The rotary actuator features two limit switch contacts which are supplied by the factory in an open position. These can be used for the feedback of the rotary actuator.

The limit switch contacts are actuated via two cams no. 13 (see [“Figure 1”](#) and [“Figure 2”](#)).

- The white cam is used to record the opening process (FC1).
- The black cam is used to record the closing process (FC2).

#### Procedure:

→ Connect cable to the terminal strip 12 (see [“Figure 1”](#) and [“Figure 2”](#)) according to the schematic (see [“Figure 20”](#)).

### 8.2.4. Electric wiring 400 V three-phase current

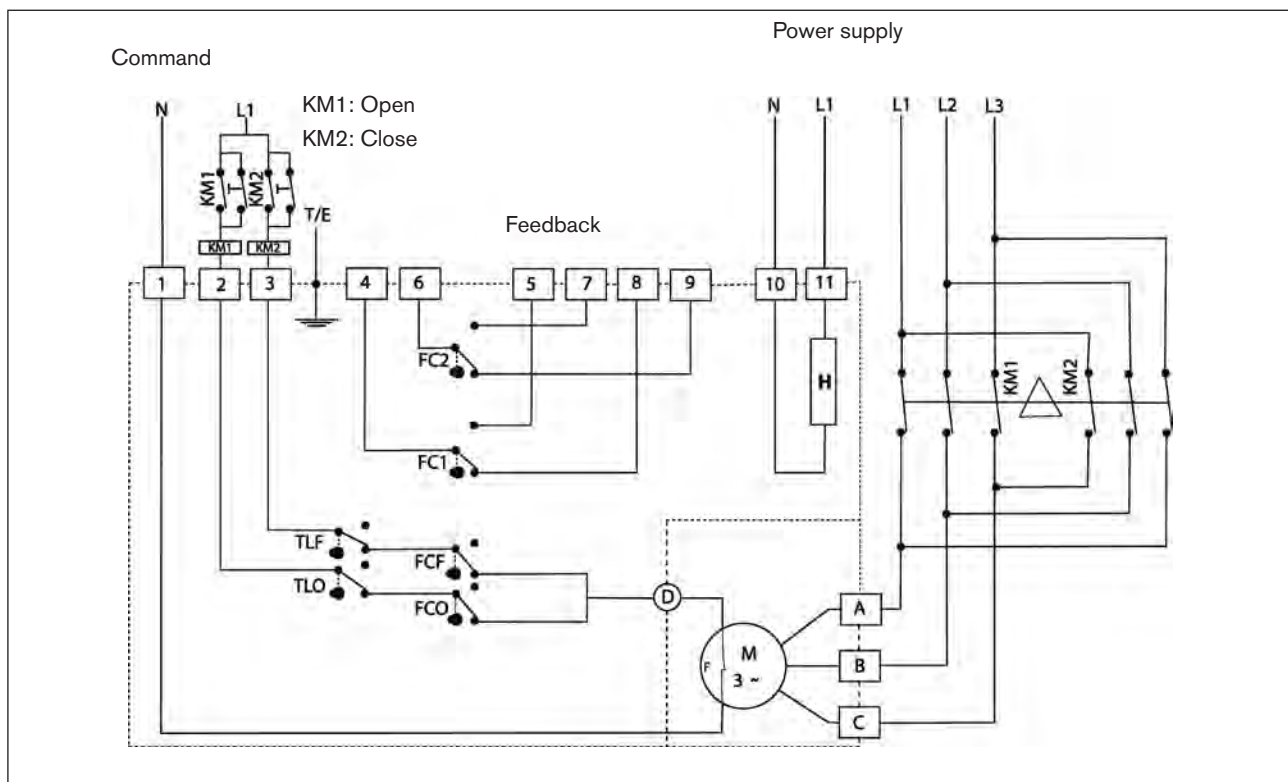


Figure 21: Electric wiring 400 V three-phase current

No.	Description
FCO	Open limit switch
FCF	Close limit switch
FC1	Auxiliary limit switch 1
FC2	Auxiliary limit switch 2
TLO	Torque switch: opening

No.	Description
TLF	Torque switch: closing
M	Motor
F	Heating resistor
H	Motor thermoswitch

### 8.3. Control card

For rotary actuator with analogue control

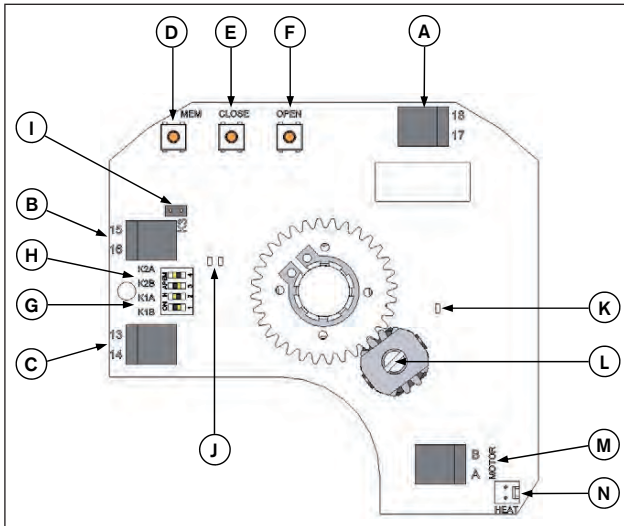


Figure 22: Control card (24 V DC)

No.	Designation
A	24V DC power supply
B	Connection terminals transducer
C	Connection terminals feedback
D	Adjusting button <MEM>
E	Adjusting button <CLOSE>
F	Adjusting button <OPEN>
G	K1 plug-in jumper

No.	Designation
H	K2 plug-in jumper
I	K3 plug-in jumper
J	Green and red LEDs
K	Yellow LED: power supply display
L	Potentiometer
M	Connection motor
N	Connection heating resistor

### 8.3.1. The position of the plug-in jumpers

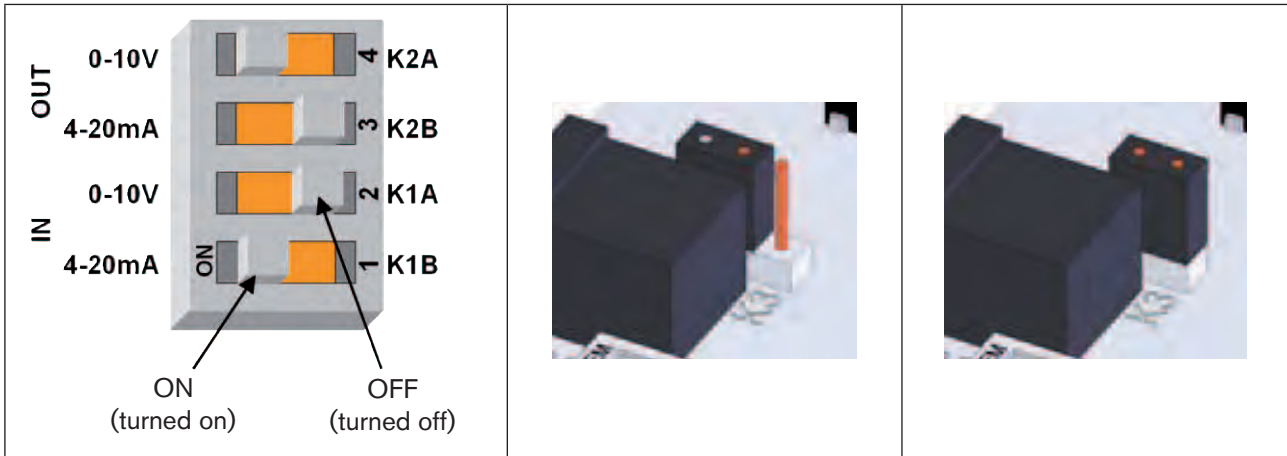


Figure 23: Plug-in jumper K1 / K2

Figure 24: Plug-in jumper K3 OFF


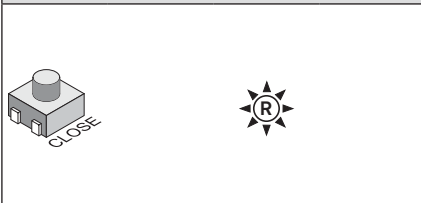
Figure 25: Plug-in jumper K3 ON

Transducer	Feedback	Plug-in jumper K1		Plug-in jumper K2		Plug-in jumper K3
		A	B	A	B	
0 - 10 V	0 - 10 V	ON	OFF	ON	OFF	OFF
0 - 10 V	0 - 20 mA	ON	OFF	OFF	ON	OFF
0 - 10 V	4 - 20 mA	ON	OFF	OFF	ON	ON
4 - 20 mA	0 - 10 V	OFF	ON	ON	OFF	OFF
4 - 20 mA	0 - 20 mA	OFF	ON	OFF	ON	OFF
4 - 20 mA	4 - 20 mA	OFF	ON	OFF	ON	ON
4 - 20 mA*	0 - 10 V	ON	OFF	ON	OFF	OFF
4 - 20 mA*	0 - 20 mA	ON	OFF	OFF	ON	OFF
4 - 20 mA*	4 - 20 mA	ON	OFF	OFF	ON	ON

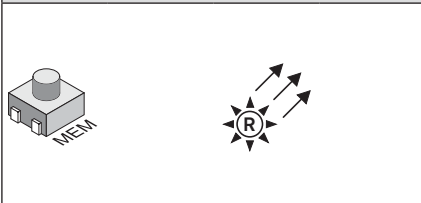
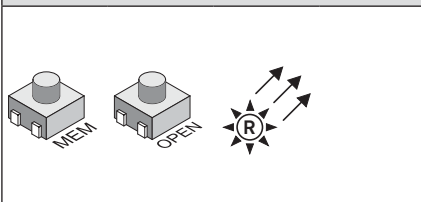
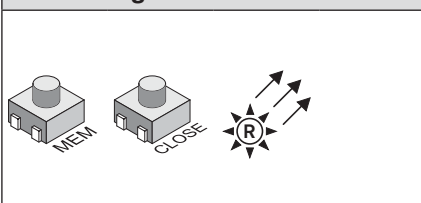
\* Version with emergency reset

## 8.3.2. Parameterization steps

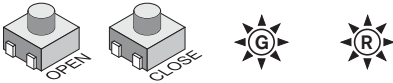

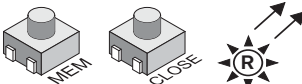

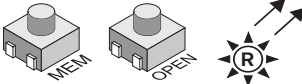
### Specify direction of rotation of the shut-off valve

Normal direction of rotation (preset)	
	<p>→ Press &lt;OPEN&gt; push-button and switch on the card (hold down push-button).</p> <p>The GREEN LED lights up.</p> <p>→ Release &lt;OPEN&gt; push-button and disconnect the card from the power supply.</p>
Reverse direction of rotation	
	<p>→ Press &lt;CLOSE&gt; push-button and switch on the card (hold down push-button).</p> <p>The RED LED lights up.</p> <p>→ Release &lt;CLOSE&gt; push-button and disconnect the card from the power supply.</p>






### Specify control signal type

Control signal when voltage 0 – 10 V	
	<p>→ Press &lt;MEM&gt; push-button and switch on the card (hold down push-button).</p> <p>The RED LED lights up <b>3x</b>.</p> <p>→ Release &lt;MEM&gt; push-button and disconnect the card from the power supply.</p>
Control signal when current 0 – 20 mA	
	<p>→ Press &lt;MEM&gt; and &lt;OPEN&gt; push-buttons and switch on the card (hold down push-button).</p> <p>The RED LED lights up <b>3x</b>.</p> <p>→ Release &lt;MEM&gt; and &lt;OPEN&gt; push-buttons and disconnect the card from the power supply.</p>
Control signal when current 4 – 20 mA (preset)	
	<p>→ Press &lt;MEM&gt; and &lt;CLOSE&gt; push-buttons and switch on the card (hold down push-button).</p> <p>The RED LED lights up <b>3x</b>.</p> <p>→ Release &lt;MEM&gt; and &lt;CLOSE&gt; push-buttons and disconnect the card from the power supply.</p>

**Learning mode**

Specify end positions	
	<p>→ Press &lt;OPEN&gt; and &lt;CLOSE&gt; push-buttons and switch on the card (hold down push-button).</p> <p>The RED and the GREEN LEDs light up.</p> <p>→ Release &lt;OPEN&gt; and &lt;CLOSE&gt; push-buttons.</p> <p>Both LEDs go out.</p> <p>Learning mode is selected.</p>
	<p>→ Press &lt;CLOSE&gt; push-button to move the shut-off valve into the closed position.</p> <p>The RED LED lights up.</p>
	<p>→ Press &lt;MEM&gt; and &lt;CLOSE&gt; push-buttons to save the closed position.</p> <p>The RED LED lights up <b>2x</b>.</p>
	<p>→ Press &lt;OPEN&gt; push-button to move the shut-off valve into the open position.</p> <p>The GREEN LED lights up.</p>
	<p>→ Press &lt;MEM&gt; and &lt;OPEN&gt; push-buttons to save the open position.</p> <p>The GREEN LED lights up <b>2x</b>.</p>
	<p>All positions are now saved.</p> <p>→ Disconnect the card from the power supply.</p>

**8.3.3. Normal operation**

Display normal operation	
	<p>→ Switch on card.</p> <p>The GREEN LED lights up <b>3x</b> to indicate that the start process has been implemented correctly.</p>
	<p>In normal operation the GREEN LED lights up when the rotary actuator opens the shut-off valve.</p>
	<p>The RED LED lights up when the rotary actuator closes the shut-off valve.</p>
	<p>If neither of the LEDs is lit, the actuator is not actuated.</p>
	<p>The RED and the GREEN LEDs light up if the torque is too high and the rotary actuator stops.</p> <p>→ Change direction of rotation of the rotary actuator or switch over the voltage OPEN/CLOSED to restart the rotary actuator!</p>

MAN 1000105907 ML Version: F Status: RL (released | freigegeben) printed: 22.05.2018



## 9. OPTION: ROTARY ACTUATORS WITH EMERGENCY CURRENT MODEL

### 9.1. Description

The emergency current model consists of an integrated safety block for emergency reset.

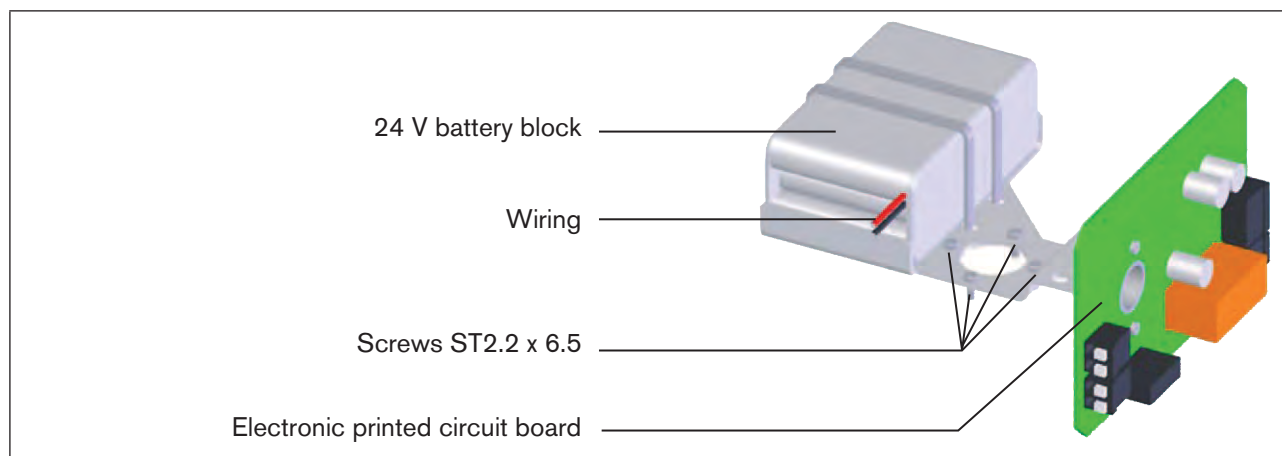


Figure 26: Safety block of the emergency current model; parts designation

### 9.2. Technical Data

Voltage	24 V DC
Nominal current	0.8 A
Maximum current	2.4 A
Charging time	14 h

## 9.3. Electrical connection of safety block

### 9.3.1. Connection diagram

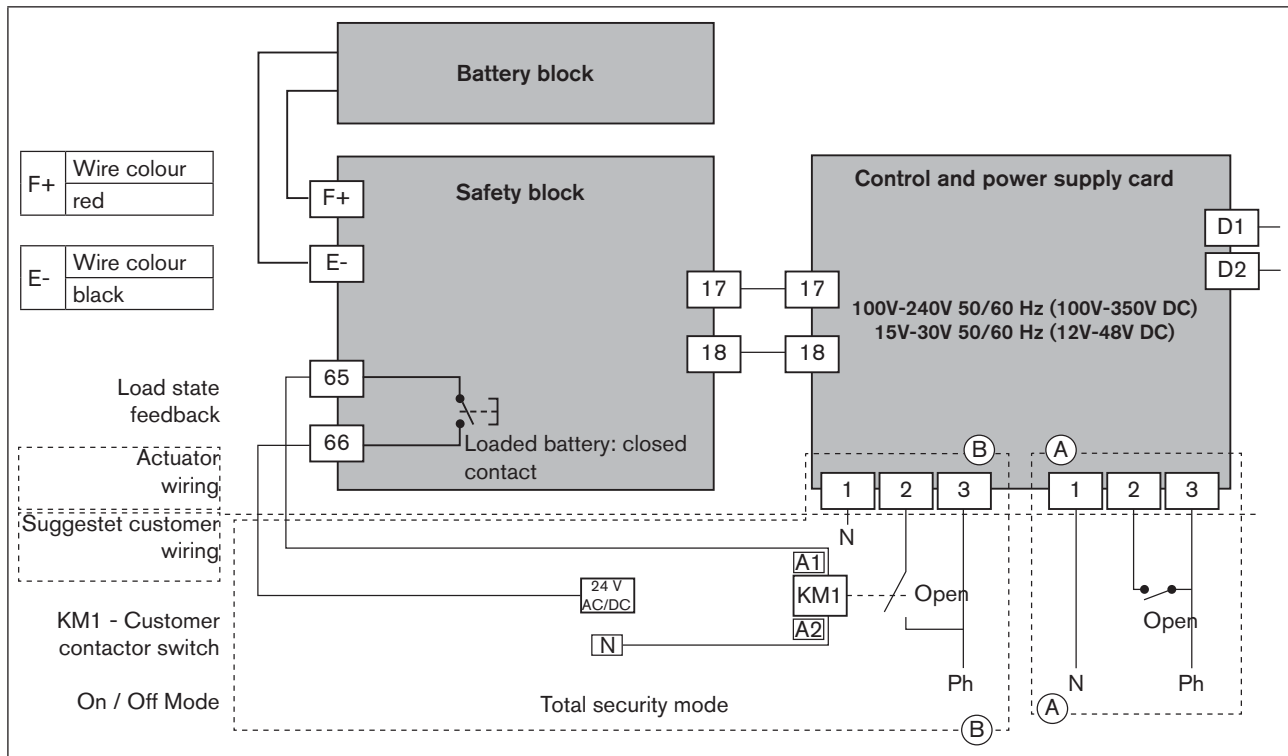


Figure 27: Connection diagram of emergency reset

#### Configuration A or B

A - standard mode: If the actuator is controlled with a programmable controller, the feedback of the charge state can be connected to it.

B - mode - increased safety (if the feedback relay is used, terminals 65 and 66): The actuator does not actuate the valve unless the safety block is loaded.

### 9.3.2. Description of the electronic printed circuit board

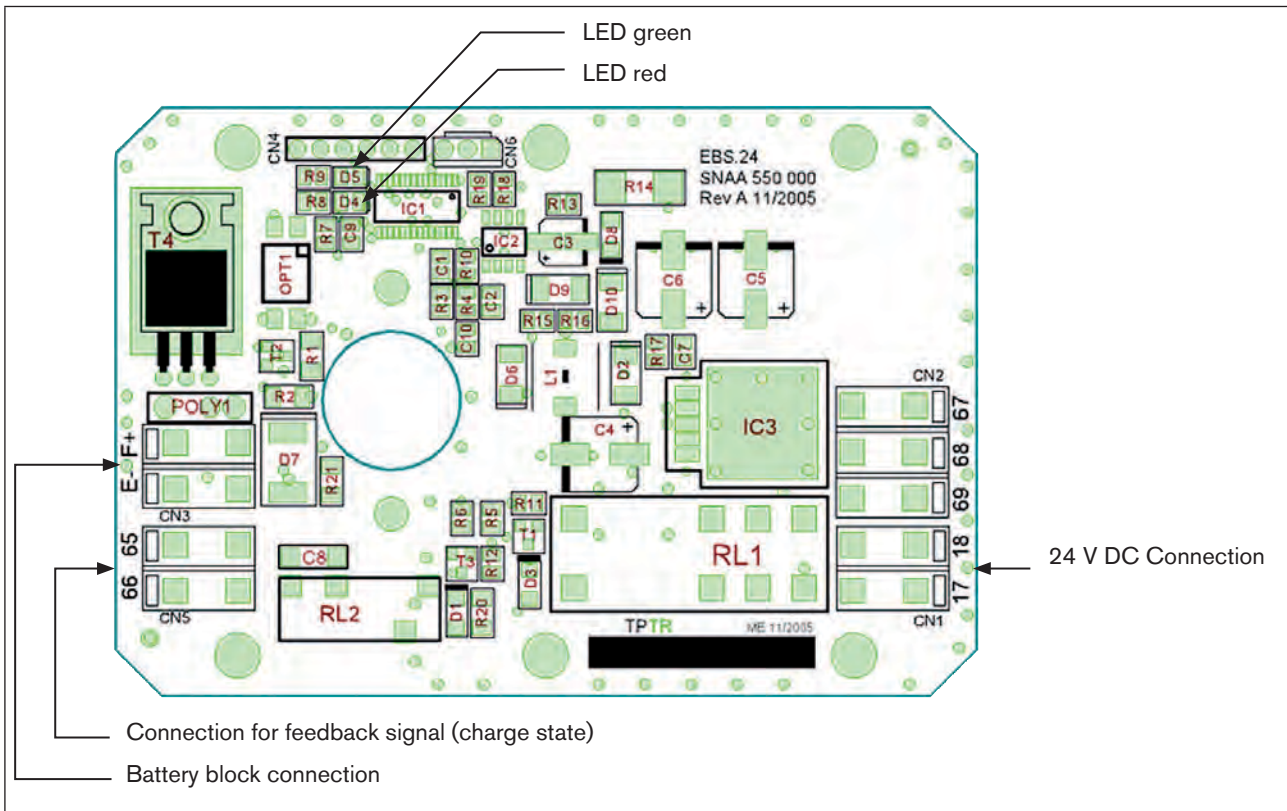


Figure 28: Illustration: Electronic printed circuit board

#### Description of LED status

LED	Status	Description
Green	lit	Mains power operation
	flashing	Battery operation
Red	lit	Battery is charged
	flashing	Battery is being charged

## 9.4. Installation of safety block into the actuator drive

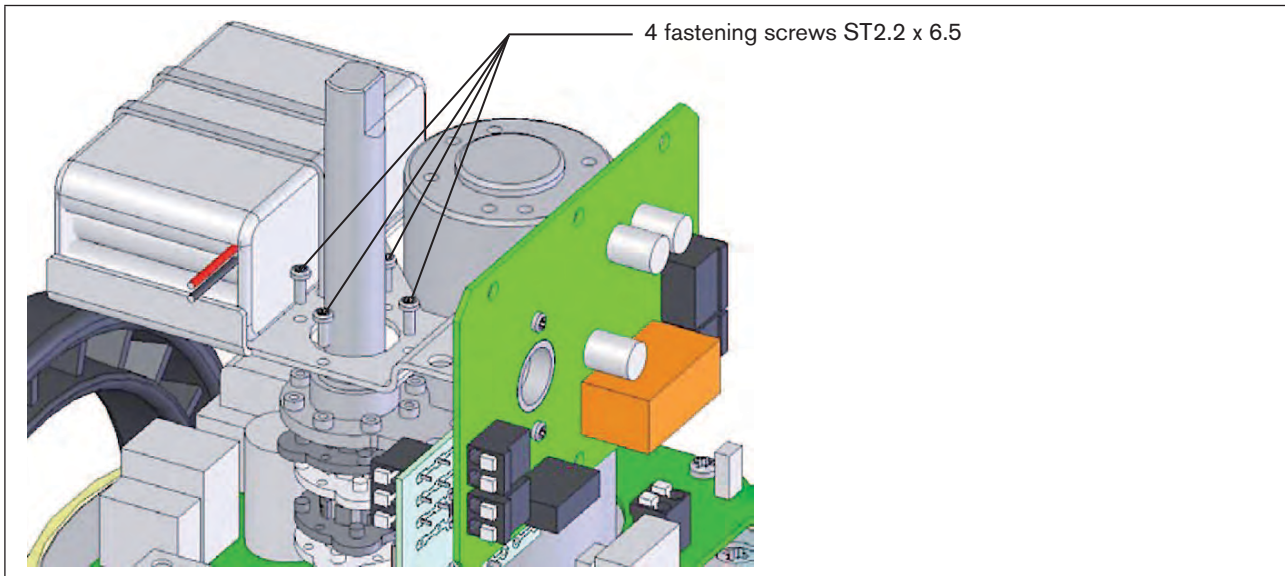


Figure 29: Illustration: installation of safety block into the actuator drive

→ Fasten the safety block of the emergency current model onto the actuator drive with 4 (see illustration [“Figure 29”](#)).

→ Connect the battery in this order:

- 1.F+ (wire color red)
- 2.E- (wire color black)

→ Connect the power supply in this order:

- 1.terminal 18
- 2.terminal 17

(see [“Figure 28: Illustration: Electronic printed circuit board”](#)).

## 10. START-UP

### 10.1. Safety instructions



#### **WARNING!**

##### **Danger due to improper operation!**

Improper operation may result in injuries as well as damage to the device and the area around it.

- Before start-up, ensure that the operating personnel are familiar with and completely understand the contents of the operating instructions.
- In particular observe the safety instructions and intended use.
- The device/the system may be started by adequately trained personnel only.

### 10.2. Procedure

- Ensure that connections and settings are implemented properly according to chapter [“7. Installation”](#).
- Check whether the rotary actuator and the fitting are in a defined end position, otherwise the fitting may lock. In this case the actuator switches off automatically.

# 11. OPERATION AND FUNCTION

## 11.1. Safety instructions



### WARNING!

#### Risk of electric shock!

There is a serious risk of injury when reaching into the device.

- Switch off the power before operating the rotary actuator manually.
- Observe applicable accident prevention and safety regulations for electrical equipment!



### WARNING!

#### Danger due to improper operation!

Improper operation may result in injuries as well as damage to the device and the area around it.

- The operating personnel must know and have understood the contents of the operating instructions.
- In particular observe the safety instructions and intended use.
- The device/the system may be operated by adequately trained personnel only.



### WARNING!

#### Hazardous situation due to manual intervention!

During manual intervention the process may switch to an undefined state, resulting in hazardous situations.

- Following manual intervention, ensure that the process is restarted in a defined or controlled manner!

## 11.2. Manual operation



Before operating the rotary actuator manually, ensure that the power supply has been interrupted!

The handwheel can be operated manually without disengaging it. No work steps in particular need to be implemented.

## 12. MAINTENANCE, TROUBLESHOOTING

### 12.1. Safety instructions



#### **DANGER!**

##### **Risk of electric shock!**

There is a serious risk of injury when reaching into the device.

- Before starting work, always switch off the power supply and safeguard to prevent re-activation!
- Observe applicable accident prevention and safety regulations for electrical equipment!



#### **WARNING!**

##### **Danger due to improper maintenance work!**

Improper maintenance may result in injuries as well as damage to the device and the surrounding area.

- Maintenance work may be carried out by authorised technicians only and with the appropriate tools!

##### **Danger due to unintentional activation of the equipment!**

Unintentional activation of the equipment during maintenance and repair work may result in injuries and/or damage.

- Take appropriate measures to prevent the equipment from being unintentionally activated.

### 12.2. Maintenance Work

The rotary actuator is maintenance-free when operated according to the instructions indicated in this manual.

### 12.3. Malfunctions

Malfunction	Remedial action
The rotary actuator does not function (initial start-up)	→ Check the power supply. → Check the connections according to the supplied circuit diagram.
The rotary actuator is jammed in the OPEN position	→ Check the power supply. → Check the connections according to the supplied circuit diagram. → Check whether the movement of the electric valve is obstructed.

Malfunction	Remedial action
The valve does not fully open or close	<ul style="list-style-type: none"> <li>→ Check the power supply.</li> <li>→ Check the connections according to the supplied circuit diagram.</li> <li>→ Check the limit switches.</li> <li>→ Check whether an overload has occurred due to excessively high torque on the valve (our rotary actuators feature electronic overload protection).</li> </ul> <p style="text-align: right;"><b>If yes:</b> Interrupt the power supply for approx. 5 minutes.</p>
The rotary actuator is jammed in the CLOSED position	<ul style="list-style-type: none"> <li>→ Check the power supply.</li> <li>→ Check the connections according to the supplied circuit diagram.</li> <li>→ Check whether the movement of the electric valve is obstructed.</li> </ul>



## 13. ACCESSORIES



### CAUTION!

#### Risk of injury and/or damage by the use of incorrect parts!

Incorrect accessories and unsuitable replacement parts may cause injuries and damage the device and the surrounding area.

- Use only original accessories and original spare parts supplied by Bürkert.

Designation	Order no.
Key for adjusting the limit switches	679 946
Reducing sleeve star/square 14/9 mm	665 288
Reducing sleeve star/square 14/11 mm	665 289
Reducing sleeve star/star 22/14 mm	666 684
Reducing sleeve star/square 22/17 mm	684 858
Reducing sleeve square/square 17/14 mm	665 290
Adapter outer square 14/10 mm	668 234

## 14. PACKAGING AND TRANSPORT

### NOTE!

#### Transport damages!

- Inadequately protected equipment may be damaged during transport.
- During transportation protect the device against wet and dirt in shock-resistant packaging.
- Avoid the action of heat and cold which can lead to temperatures above or below the admissible storage temperature.

## 15. STORAGE

### NOTE!

#### Incorrect storage may damage the device.

- Store the device in a dry and dust-free location!
- Storage temperature. -20 °C ...+70 °C.

## 16. DISPOSAL

→ Dispose of the device and packaging in an environmentally friendly manner.

### NOTE!

#### Damage to the environment caused by device components contaminated with media.

- Observe the relevant disposal and environmental protection regulations.



#### Note:

Observe national waste disposal regulations.

## Elektromotorischer Drehantrieb Typ 3005

### INHALT

<b>1.</b>	<b>DIE BEDIENUNGSANLEITUNG.....</b>	<b>45</b>
1.1.	Darstellungsmittel .....	45
<b>2.</b>	<b>BESTIMMUNGSGEMÄSSE VERWENDUNG.....</b>	<b>46</b>
2.1.	Beschränkungen .....	46
<b>3.</b>	<b>GRUNDLEGENDE SICHERHEITSHINWEISE .....</b>	<b>47</b>
<b>4.</b>	<b>ALLGEMEINE HINWEISE .....</b>	<b>48</b>
4.1.	Kontaktadressen .....	48
4.2.	Gewährleistung .....	48
4.3.	Informationen im Internet.....	48
<b>5.</b>	<b>SYSTEMBESCHREIBUNG.....</b>	<b>49</b>
5.1.	Vorgesehener Einsatzbereich.....	49
5.2.	Allgemeine Beschreibung .....	49
5.3.	Explosionsdarstellung.....	50
5.4.	Optionen .....	53
<b>6.</b>	<b>TECHNISCHE DATEN.....</b>	<b>54</b>
6.1.	Konformität.....	54
6.2.	Normen.....	54
6.3.	Zulassungen .....	54
6.4.	Betriebsbedingungen .....	54
6.5.	Kennzeichnung .....	54
6.6.	Allgemeine Technische Daten .....	55
<b>7.</b>	<b>MONTAGE.....</b>	<b>60</b>
7.1.	Sicherheitshinweise.....	60
7.2.	Montage des Drehantriebs .....	60
<b>8.</b>	<b>INSTALLATION .....</b>	<b>64</b>

8.1.	Sicherheitshinweise .....	64
8.2.	Elektrische Installation.....	64
8.3.	Regelkarte.....	69
9.	OPTION: DREHANTRIEBE MIT NOTSTROMVARIANTE.....	73
9.1.	Beschreibung.....	73
9.2.	Technische Daten .....	73
9.3.	Elektrischer Anschluss des Sicherheitsblocks .....	74
9.4.	Einbau des Sicherheitsblocks in den Stellantrieb.....	76
10.	INBETRIEBNAHME .....	77
10.1.	Sicherheitshinweise.....	77
10.2.	Vorgehensweise.....	77
11.	BEDIENUNG UND FUNKTION.....	78
11.1.	Sicherheitshinweise.....	78
11.2.	Manuelle Bedienung .....	78
12.	WARTUNG, FEHLERBEHEBUNG .....	79
12.1.	Sicherheitshinweise.....	79
12.2.	Wartungsarbeiten.....	79
12.3.	Störungen .....	79
13.	ZUBEHÖR.....	81
14.	VERPACKUNG, TRANSPORT .....	82
15.	LAGERUNG .....	82
16.	ENTSORGUNG.....	82

# 1. DIE BEDIENUNGSANLEITUNG

Die Bedienungsanleitung beschreibt den gesamten Lebenszyklus des Gerätes. Bewahren Sie diese Anleitung so auf, dass sie für jeden Benutzer gut zugänglich ist und jedem neuen Eigentümer des Gerätes wieder zur Verfügung steht.



## WARNUNG!

**Die Bedienungsanleitung enthält wichtige Informationen zur Sicherheit!**

Das Nichtbeachten dieser Hinweise kann zu gefährlichen Situationen führen.

- Die Bedienungsanleitung muss gelesen und verstanden werden.

## 1.1. Darstellungsmittel



## GEFAHR!

**Warnt vor einer unmittelbaren Gefahr!**

- Bei Nichtbeachtung sind Tod oder schwere Verletzungen die Folge.



## WARNUNG!

**Warnt vor einer möglicherweise gefährlichen Situation!**

- Bei Nichtbeachtung drohen schwere Verletzungen oder Tod.



## VORSICHT

**Warnt vor einer möglichen Gefährdung!**

- Nichtbeachtung kann mittelschwere oder leichte Verletzungen zur Folge haben.

## HINWEIS!

**Warnt vor Sachschäden!**

- Bei Nichtbeachtung kann das Gerät oder die Anlage beschädigt werden.



Bezeichnet wichtige Zusatzinformationen, Tipps und Empfehlungen.



Verweist auf Informationen in dieser Bedienungsanleitung oder in anderen Dokumentationen.

→ markiert einen Arbeitsschritt, den sie ausführen müssen.

## 2. BESTIMMUNGSGEMÄSSE VERWENDUNG



### WARNUNG!

Bei nicht bestimmungsgemäßem Einsatz des elektrischen Drehantriebs Typ 3005 können Gefahren für Personen, Anlagen in der Umgebung und die Umwelt entstehen.

- Der Drehantrieb kann z. B. zur Betätigung von Armaturen, insbesondere Kugelhähnen oder Absperrklappen verwendet werden.
- Für den Einsatz sind die in den Vertragsdokumenten und der Bedienungsanleitung spezifizierten zulässigen Daten, Betriebs- und Einsatzbedingungen zu beachten die im Kapitel „5. Systembeschreibung“ beschrieben sind.
- Der elektrische Drehantrieb darf nur in Verbindung mit von Bürkert empfohlenen bzw. zugelassenen Fremdgeräten und Komponenten eingesetzt werden (z. B. ATEX zugelassene Komponenten).
- Voraussetzungen für den sicheren und einwandfreien Betrieb sind sachgemäßer Transport, sachgemäße Lagerung und Installation, sowie sorgfältige Bedienung und Instandhaltung.
- Das Gerät nur bestimmungsgemäß einsetzen.

### 2.1. Beschränkungen

Bei der Ausführung des Systems/Geräts gegebenenfalls bestehende Beschränkungen beachten.



Das Gerät nur in einwandfreiem Zustand und unter Beachtung der Bedienungsanleitung betreiben.

### 3. GRUNDLEGENDE SICHERHEITSHINWEISE

Diese Sicherheitshinweise berücksichtigen keine:

- Zufälligkeiten und Ereignisse, die bei Montage, Betrieb und Wartung der Geräte auftreten können.
- Ortsbezogenen Sicherheitsbestimmungen, für deren Einhaltung, auch in Bezug auf das Montagepersonal, der Betreiber verantwortlich ist.



#### Gefahr durch elektrische Spannung!

Bei Eingriffen in das Gerät besteht akute Verletzungsgefahr.

- Vor Eingriffen in das Gerät in jedem Fall die Spannung abschalten und diese vor Wiedereinschalten sichern!
- Mehrere elektrische Drehantriebe immer mit Phasentrennung über einen Schalter anschließen.
- Das Gerät durch eine netzabhängige Sicherung schützen.
- Die geltenden Unfallverhütungs- und Sicherheitsbestimmungen für elektrische Geräte beachten!

#### Explosionsgefahr!

Bei bestimmten Geräteausführungen besteht bei Öffnung des Gerätes im explosionsgeschützten Bereich Explosionsgefahr.

- Die Sicherheitshinweise auf dem Typschild beachten!

#### Explosionsgefahr durch statische Aufladung!

Bei plötzlicher Entladung elektrostatisch aufgeladener Geräte oder Personen besteht im Ex-Bereich Explosionsgefahr.

- Durch geeignete Maßnahmen sicherstellen, dass es im Ex-Bereich zu keinen elektrostatischen Aufladungen kommen kann.
- Die Geräteoberfläche durch leichtes Abwischen mit einem **feuchten oder antistatischen** Tuch reinigen.

#### Allgemeine Gefahrensituationen.

Zum Schutz vor Verletzungen ist zu beachten:

- Dass die Anlage nicht unbeabsichtigt betätigt werden kann.
- Typ 3005 nicht in explosionsgefährdeten Bereichen einsetzen (in diesem Fall Typ 3004 verwenden).
- Das Gehäuse nicht mechanisch belasten (z. B. durch Ablage von Gegenständen oder als Trittstufe).
- Keine äußerlichen Veränderungen an den Gerätegehäusen vornehmen. Gehäuseteile und Schrauben nicht lackieren.
- Antrieb nicht mit dem Deckel nach unten (kopfüber) einbauen.
- Installations- und Instandhaltungsarbeiten dürfen nur von autorisiertem Fachpersonal mit geeignetem Werkzeug ausgeführt werden.
- Nach einer Unterbrechung der elektrischen oder pneumatischen Versorgung ist ein definierter oder kontrollierter Wiederanlauf des Prozesses zu gewährleisten.
- Das Gerät darf nur in einwandfreiem Zustand und unter Beachtung der Bedienungsanleitung betrieben werden.
- Für die Einsatzplanung und den Betrieb des Gerätes müssen die allgemeinen Regeln der Technik eingehalten werden.

## 4. ALLGEMEINE HINWEISE

### 4.1. Kontaktadressen

#### Deutschland

Bürkert Fluid Control System  
Sales Center  
Chr.-Bürkert-Str. 13-17  
D-74653 Ingelfingen  
Tel. : +49 (0)7940 - 10 91 111  
Fax: +49 (0)7940 - 10 91 448  
E-mail: info@de.buerkert.com

#### International

Die Kontaktadressen finden Sie auf den letzten Seiten der gedruckten Bedienungsanleitung.

Außerdem im Internet unter: [www.buerkert.com](http://www.buerkert.com)

### 4.2. Gewährleistung

Voraussetzung für die Gewährleistung ist der bestimmungsgemäße Gebrauch des elektischen Drehantriebs Typ 3005 unter Beachtung der spezifizierten Einsatzbedingungen.

### 4.3. Informationen im Internet

Bedienungsanleitungen und Datenblätter zum Typ 3005 finden Sie im Internet unter:

[www.buerkert.de](http://www.buerkert.de)



## 5. SYSTEMBESCHREIBUNG

### 5.1. Vorgesehener Einsatzbereich

Der elektromotorische Drehantrieb Typ 3005 (im Folgenden als Drehantrieb bezeichnet) wurde entwickelt, um Kugelhahn- oder Klappenventile mit Vierteldrehung zu steuern. Optional ist der Antrieb auch mit einem Drehwinkel von 180° und 270° erhältlich.

### 5.2. Allgemeine Beschreibung

Das Basisgerät kann durch die modulare Konstruktion mit vielen Optionen erweitert werden.



Optionen zur Erweiterung des Basisgerätes finden Sie im Kapitel „5.4. Optionen“.

Der Drehantrieb ist ein kompaktes und leistungsstarkes Stellantriebssystem, das eine lange Lebensdauer gewährleistet. Der Drehantrieb ist für Gleich- oder Wechselstrom mit unterschiedlicher Leistung konzipiert und für Drehmomente von 25 bis 1000 Nm (Antrieb mit Analogsignal 20 - 300 Nm) ausgelegt.

Die verwendeten Werkstoffe gewährleisten einen wartungsfreien Betrieb und stellen eine niedrige thermische Belastung sicher. Alle Drehantriebe sind in der Standardausführung mit einer Handnotbetätigung und zwei zusätzlichen Endschaltern ausgestattet und vom Hersteller getestet. Die Endschalter wurden auf 0 ... 90° Schwenkbetrieb eingestellt.

Der elektromotorische Drehantrieb ist als Auf/Zu- oder Regelantrieb erhältlich. Er ist mit folgenden Komponenten kombinierbar:

- Edelstahl Kugelhahn mit zweiteiligem Gehäuse (Typ 2651),
- Edelstahl Kugelhahn mit dreiteiligem Gehäuse (Typ 2654),
- Kunststoff Kugelhahn (Typ 2657),
- Metall Klappenventil (Typ 2671),
- Kunststoff Klappenventil (Typ 2674).

Die Antriebsrichtung ist im gleichen Betriebsvorgang nicht umkehrbar. Ein automatischer Rücklauf des Drehantriebs erfolgt nicht.

Über das Handrad am Drehantrieb ist auch ein mechanischer Betrieb möglich. Im elektrischen Betrieb dreht sich das Handrad nicht mit.

### 5.3. Explosionsdarstellung

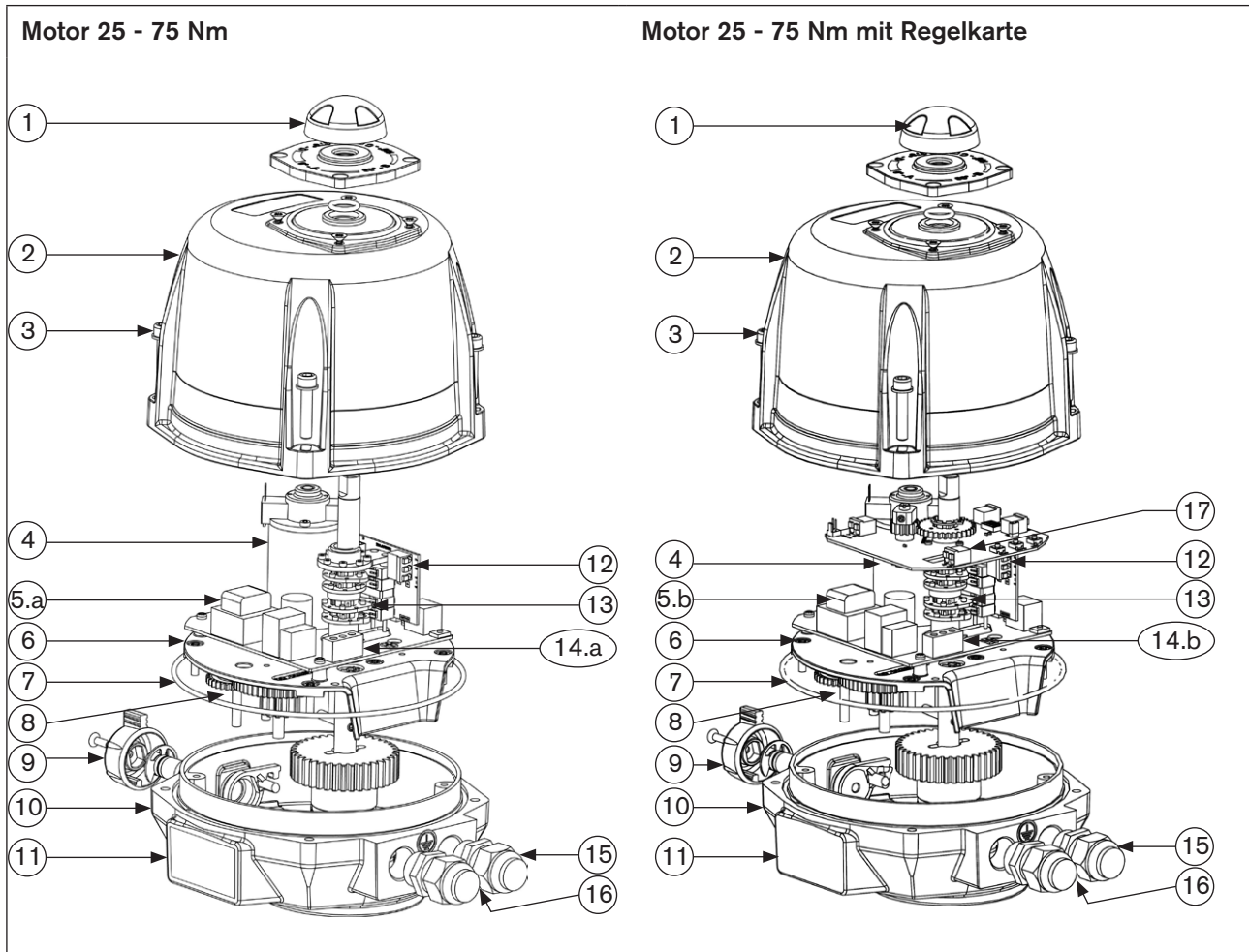
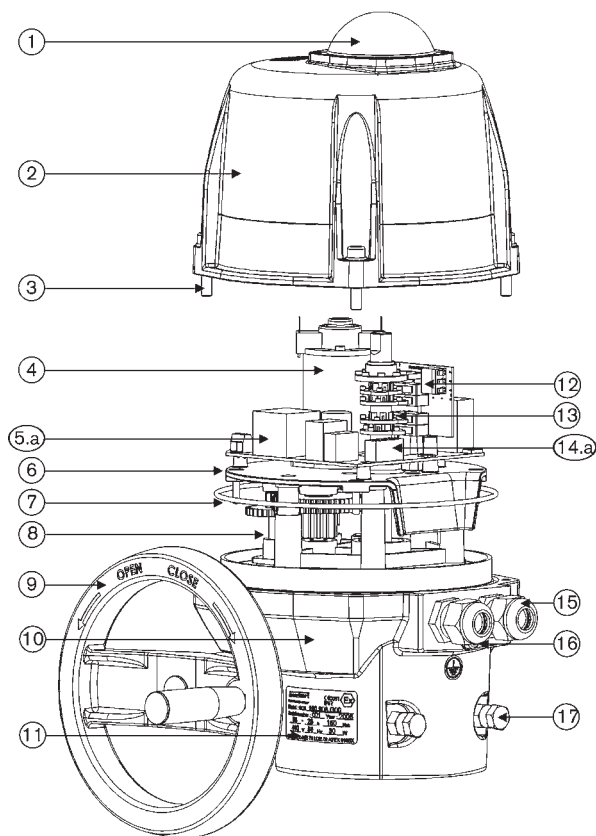


Bild 1: Explosionsdarstellung Motor 25 - 75 Nm

Pos.	Bezeichnung
1	Stellungsanzeige
2	Haube
3	Edelstahl-Schrauben
4	Motor
5.a*	Steuerung und Stromversorgung Karte
5.b*	Stromversorgungskarte
6	Getriebeplatte
7	O-Ring
8	Getriebe
9	Schaltknopf

Pos.	Bezeichnung
10	Gehäuse
11	Platz für Typschild
12	Zusätzlicher Endschalter
13	Nocken
14.a*	Steuerung und Spannungsversorgung
14.b*	Klemmleiste für Spannungsversorgung
15	Kabelverschraubung ISO M20
16	Schraube für Erde
17	Regelkarte (nur bei Regelantrieb)

Motor 100 - 300 Nm



Motor 100 - 300 Nm mit Regelkarte

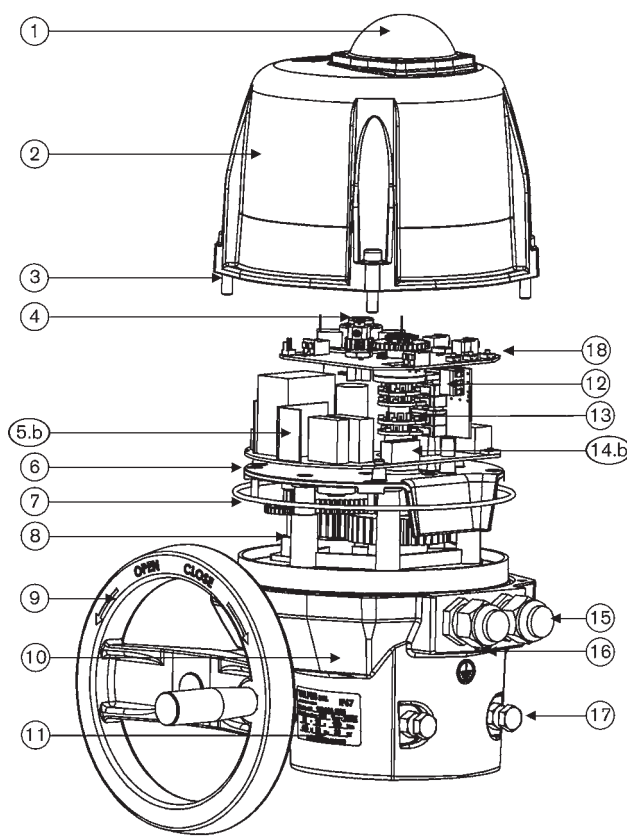


Bild 2: Explosionsdarstellung Motor 100 - 300 Nm

Pos.	Bezeichnung
1	Stellungsanzeige
2	Haube
3	Edelstahl-Schrauben
4	Motor
5.a*	Steuerung und Stromversorgung Karte
5.b*	Stromversorgungskarte
6	Getriebeplatte
7	O-Ring
8	Getriebe
9	Handrad

Pos.	Bezeichnung
10	Gehäuse
11	Typschild
12	Zusätzlicher Endschalter
13	Nocken
14.a*	Steuerung und Spannungsversorgung
14.b*	Klemmleiste für Spannungsversorgung
15	Kabelverschraubung ISO M20
16	Schraube für Erde
17	Mechanische Endanschläge
18	Regelkarte (nur bei Regelantrieb)

## Motor 600 - 1000 Nm

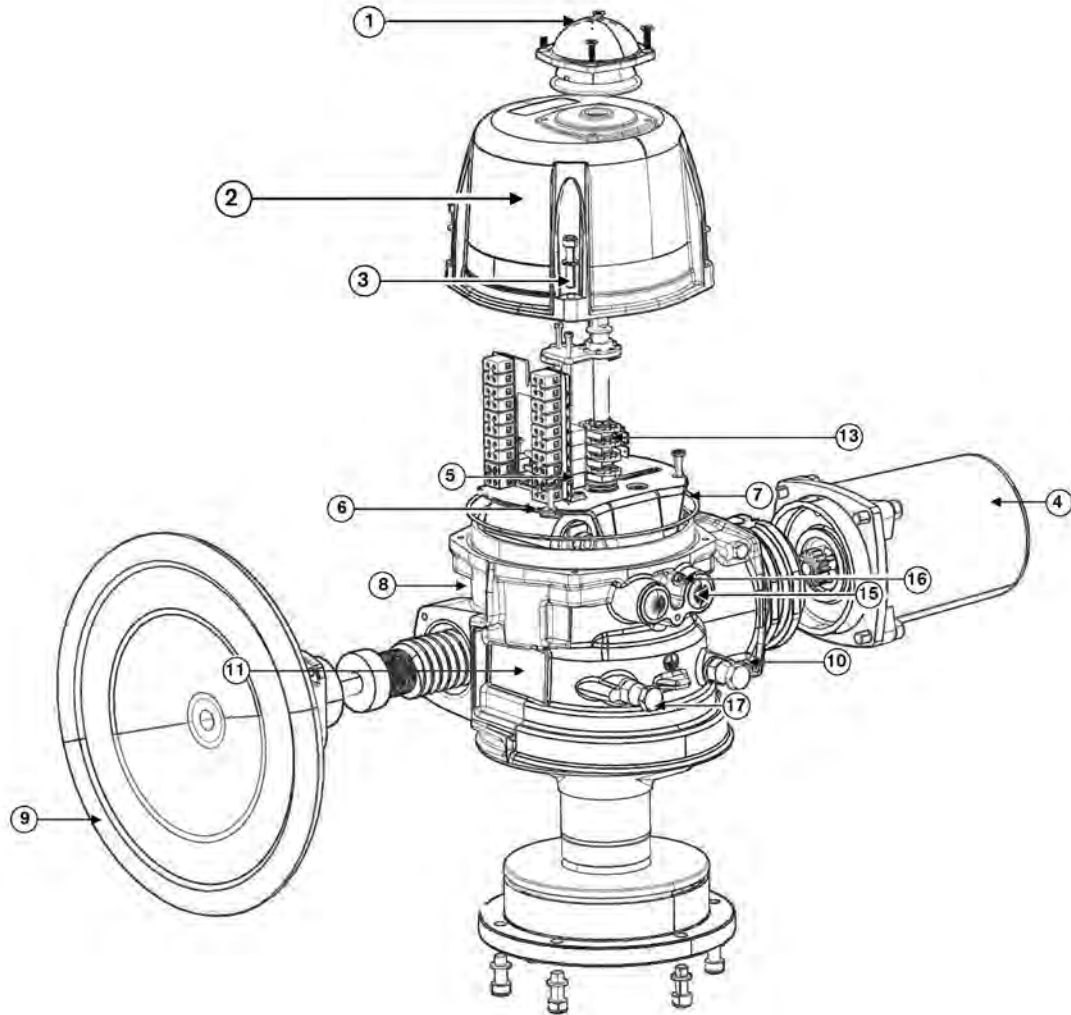


Bild 3: Explosionsdarstellung Motor 600 - 1000 Nm

Pos.	Bezeichnung
1	Stellungsanzeige
2	Haube
3	Edelstahl-Schrauben
4	Motor
5	Steuerung und Stromversorgung Karte
6	Getriebepatte
7	O-Ring
8	Getriebe

Pos.	Bezeichnung
9	Handrad
10	Gehäuse
11	Platz für Typschild
13	Nocken
15	Innengewinde M20x1,5
16	Schraube für Erde
17	Mechanische Endanschläge

## 5.4. Optionen

- Dreistellungs-drehantrieb (180°)
- Drehwinkel 180° oder 270°
- Drehantrieb mit Rückmelde-Potentiometer
  - Potentiometer mit Widerstandswerten 100 Ω, 1 KΩ, 5 KΩ oder 10 KΩ
  - Analoge Rückmeldung über Signal: 0 ... 10 V, 0 ... 20 mA, 4 ... 20 mA
- Drehantrieb mit Notstromvariante (siehe Kapitel „9. Option: Drehantriebe mit Notstromvariante“)
- 2 zusätzliche Endschalter

## 6. TECHNISCHE DATEN

### 6.1. Konformität

Der elektromotorische Drehantrieb Typ 3005 ist konform zu den EG-Richtlinien entsprechend der Konformitätserklärung.

### 6.2. Normen

Die angewandten Normen, mit denen die Konformität mit den EG-Richtlinien nachgewiesen wird, sind in der EG-Baumusterprüfbescheinigung und/oder der EG-Konformitätserklärung nachzulesen.

### 6.3. Betriebsbedingungen

Umgebungstemperatur:    -20 °C ... +70 °C  
                                  -10 °C ... +40 °C Notrückstellung

Schutzart:                    IP67 nach EN 60529 mit Kabelverschraubung ISO 20 oder Schutzkappe

#### **HINWEIS!**

- Die Wärmequellen vermeiden, die zur Überschreitung des zulässigen Temperaturbereichs führen können.

### 6.4. Kennzeichnung

Der Drehantrieb ist mit einem Typschild versehen, das eine eindeutige Identifikation ermöglicht und die wichtigsten technischen Daten erkennen lässt.



Das Typschild nicht vom Drehantrieb entfernen!

Es ist für die Identifikation bei Installation und Instandhaltung von entscheidender Bedeutung.

Ohne Typschild erlischt die Gewährleistung.

### 6.4.1. Beschreibung des Typschildes

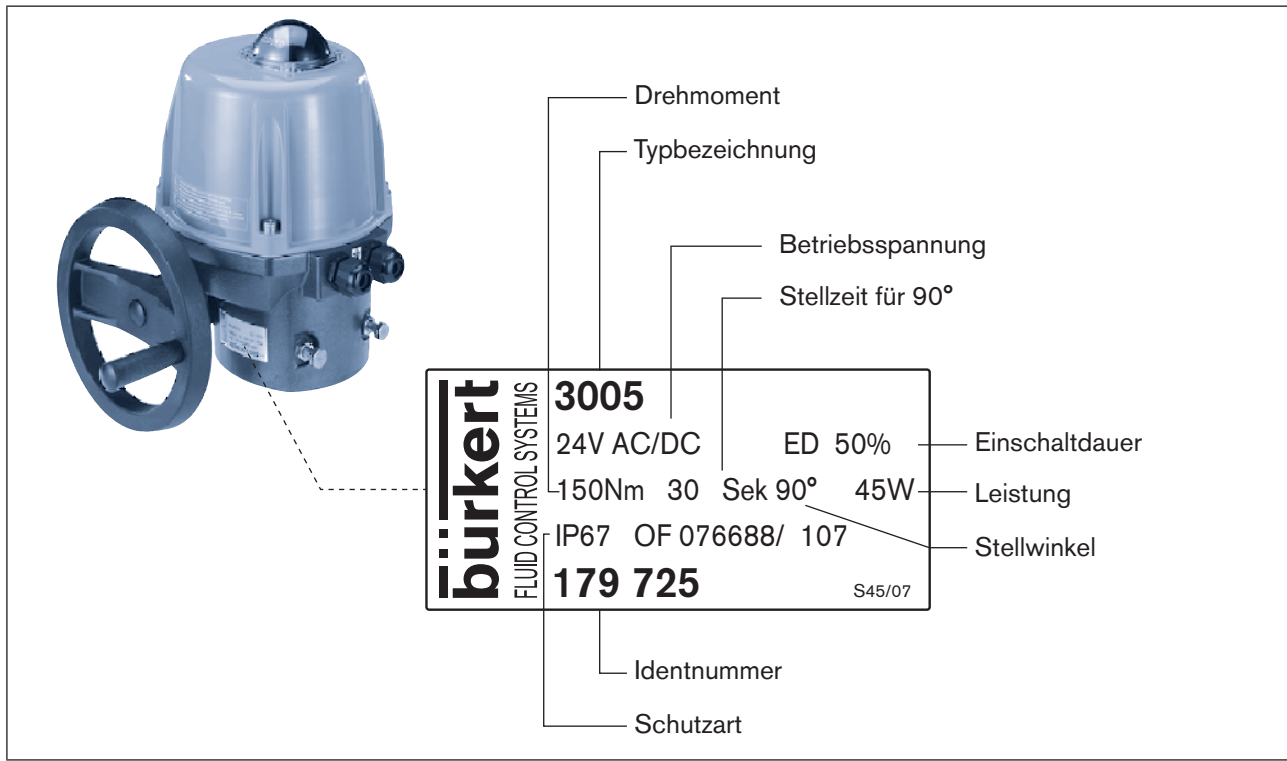


Bild 4: Beschreibung des Typschildes (Beispiel)

## 6.5. Allgemeine Technische Daten

### 6.5.1. Mechanische Daten

Abmessungen:	Siehe Kapitel „6.5.2. Abmessungen“
Gewicht:	25 - 75 Nm; 3,1 kg 100 - 300 Nm; 5,6 kg 600 - 1000 Nm; 20 kg
Gehäusematerial:	Gehäuse - Aluminium Deckel - Polyamid (Aluminium optional) Achsen und Schrauben - Edelstahl Getriebe - verzinkter Stahl
Stellwinkel:	90° (optional 180°, 270°) ± 5°
Einschaltdauer:	50 % bei maximalem Drehmoment (optional 80 %)
Handnotbetätigung:	mit Gabelschlüssel an Flächen der Achse (bis 75 Nm); durch Handrad (ab 100 Nm)
Arbeitsmodi:	Auf/Zu Modus oder Drei Punkt Modus (siehe „Bild 17“ und „Bild 18“)

### 6.5.2. Abmessungen

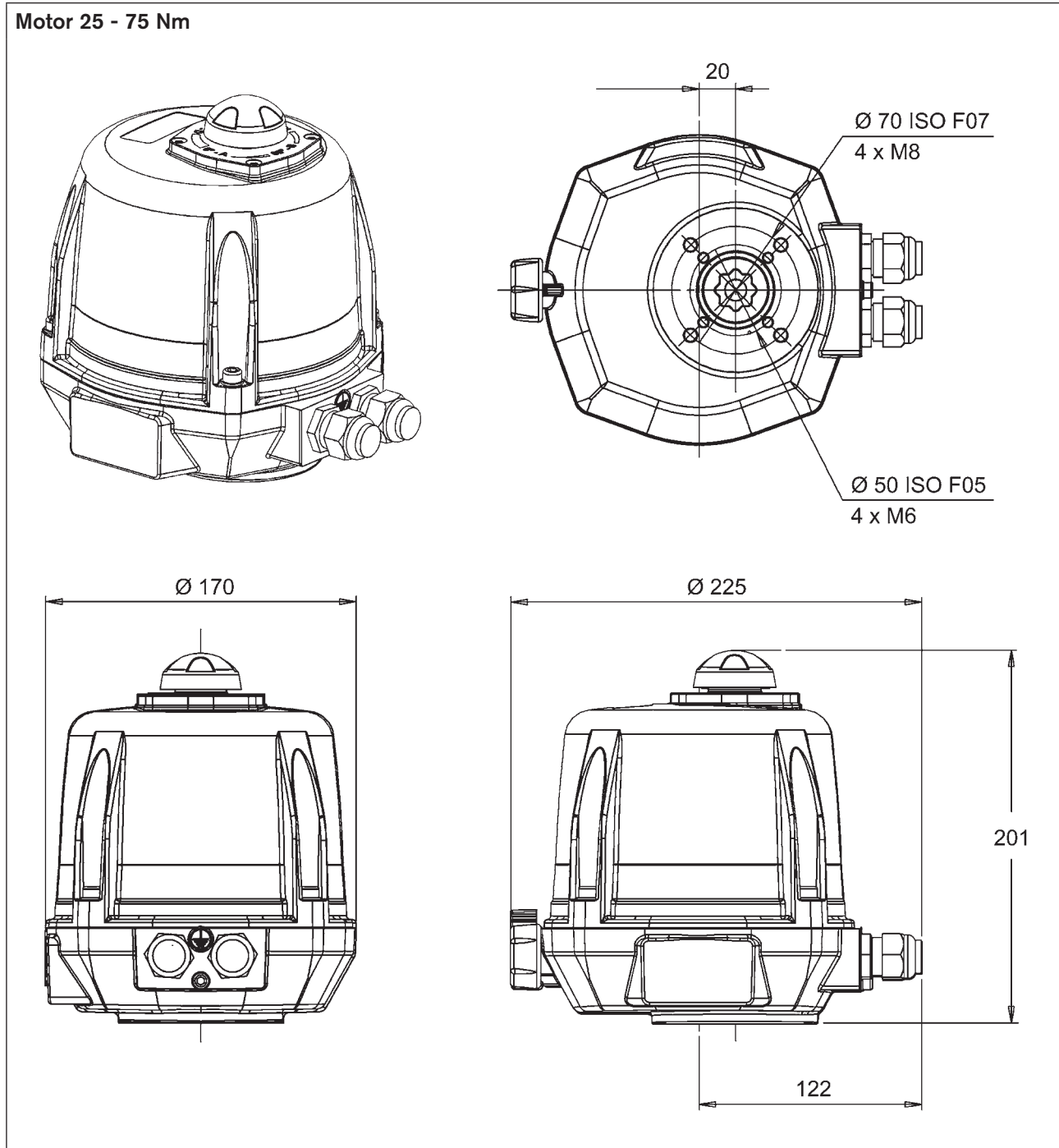
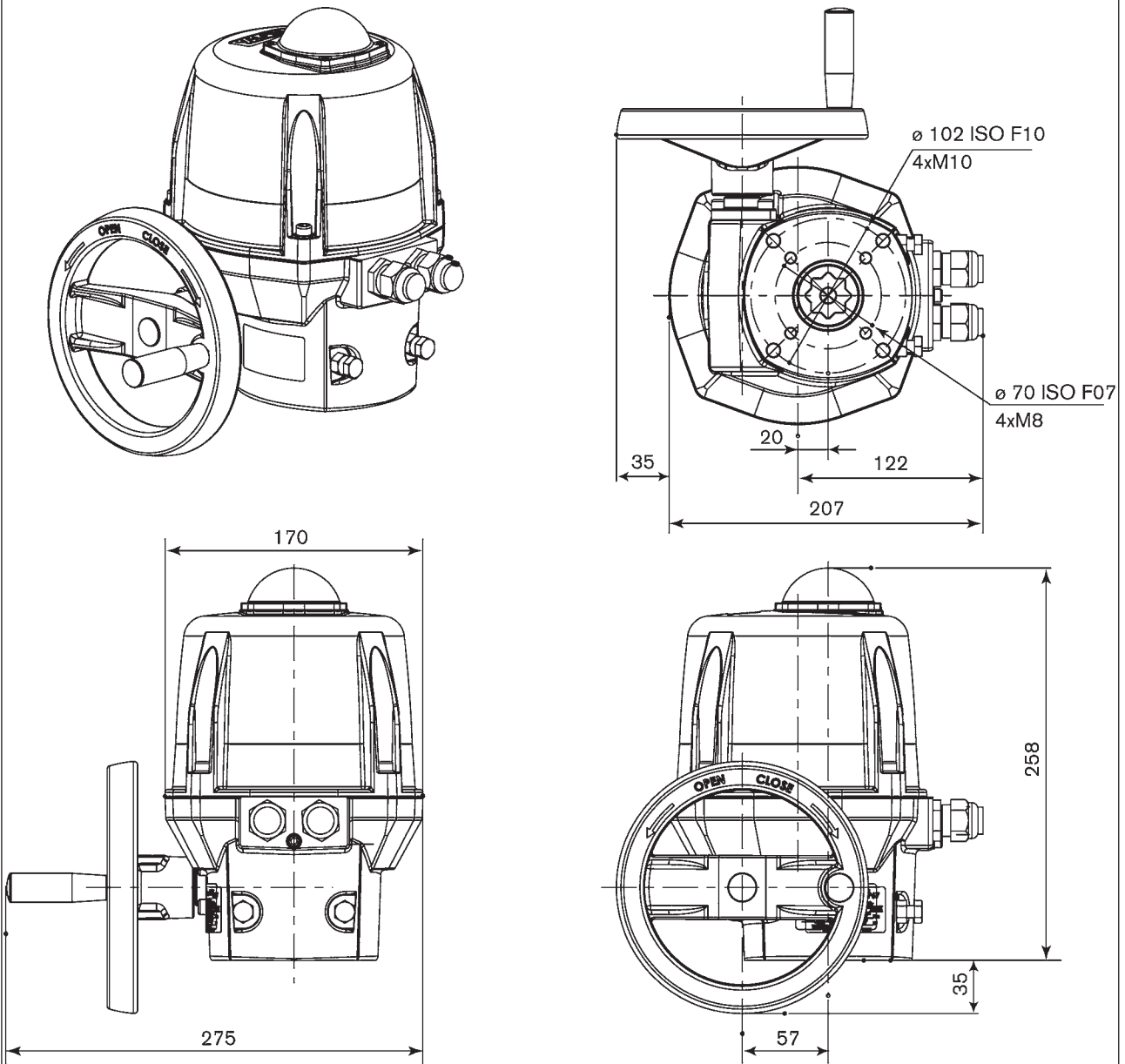


Bild 5: Abmessungen Typ 3005 mit Drehmoment 25 - 75 Nm



Motor 100 - 300 Nm



MAN 1000105907 ML Version: F Status: RL (released | freigegeben) printed: 22.05.2018

Bild 6: Abmessungen Typ 3005 mit Drehmoment 100 - 300 Nm

Motor 600 - 1000 Nm

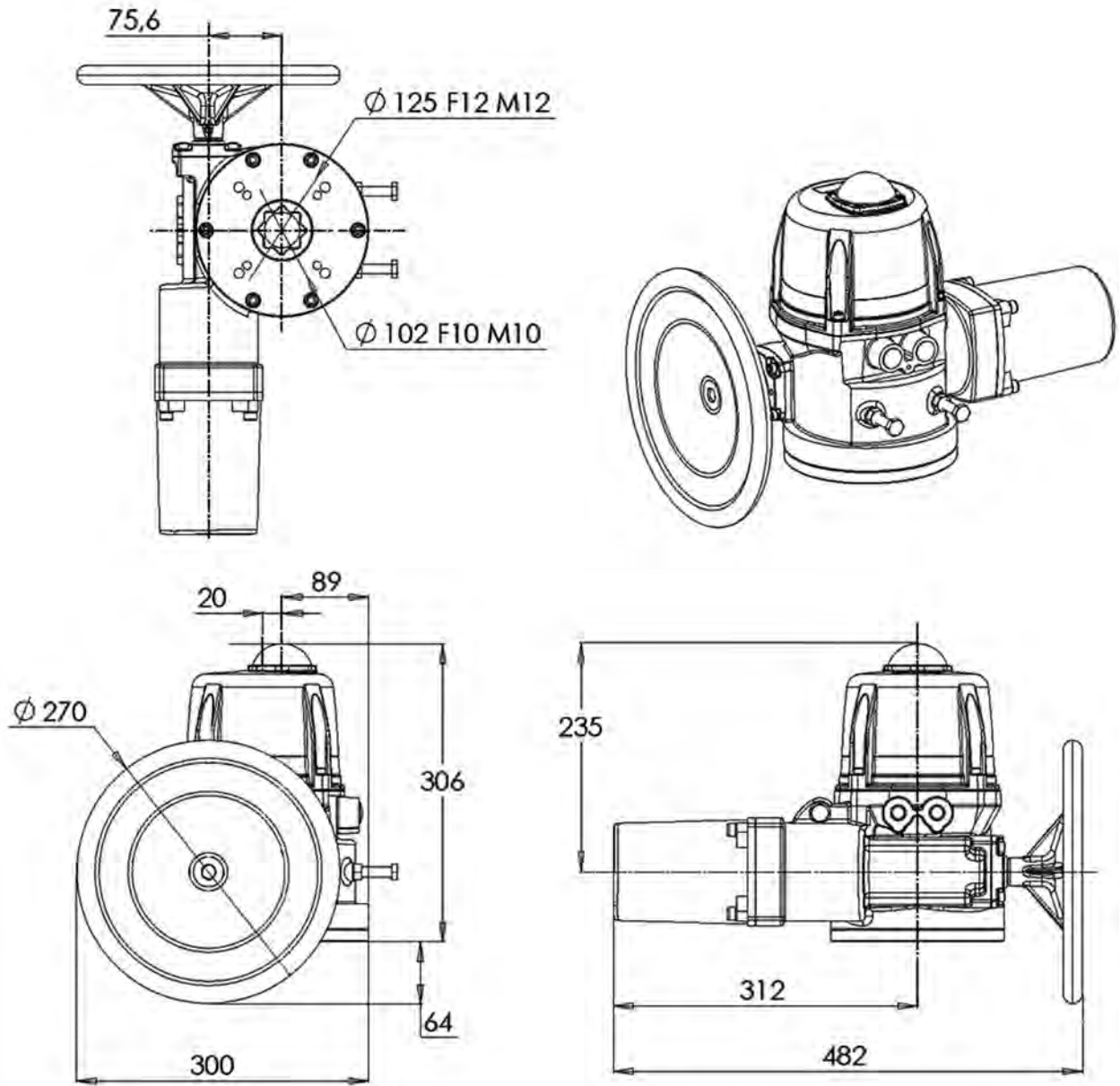


Bild 7: Abmessungen Typ 3005 mit Drehmoment 600 - 1000 Nm

### 6.5.3. Elektrische Daten

Anschlüsse: 2 Gewindeanschlüsse ISO 20  
 Endschalter: 2 Endschalter für den Motor  
 2 potenzialfreie Endschalter (für Stellungsrückmeldung)  
 Leistung: max. 250 V AC / 5 A

Elektrische Daten für Standardausführung ohne Analo­gsignal und Stellungsreglerausführung mit 4 ... 20 mA, 0 ... 20 mA oder 0 ... 10 V Analo­gsignaleingang

Drehmoment [Nm]	90° Stellzeit [s]	Leistungsaufnahme [W]	Spannung / Frequenz [V / Hz]
25	7	45	100-240 / 50/60 (100-350 DC)
			15-30 AC (12-48 DC <sup>1)</sup> )
45	15	45	100-240 / 50/60 (100-350 DC)
			15-30 AC (12-48 DC <sup>1)</sup> )
75	20	45	100-240 / 50/60 (100-350 DC)
			15-30 AC (12-48 DC <sup>1)</sup> )
100	15	45	100-240 / 50/60 (100-350 DC)
			15-30 AC (12-48 DC <sup>1)</sup> )
150	30	45	100-240 / 50/60 (100-350 DC)
			15-30 AC (12-48 DC <sup>1)</sup> )
300	60	45	100-240 / 50/60 (100-350 DC)
			15-30 AC (12-48 DC <sup>1)</sup> )
600	38	250	100-240 / 50/60 (100-350 DC)
			15-30 AC (12-48 DC <sup>1)</sup> )
1000	38	250	100-240 / 50/60 (100-350 DC)
			15-30 AC (12-48 DC <sup>1)</sup> )



Wir empfehlen eine Antriebsauslegung mit dem 1,5-fachen des maximalen Drehmoments der Armatur (bei Regelantrieben mit dem 2-fachen des maximalen Drehmoments).

<sup>1)</sup> Die Betriebsspannung darf 11,5 V nicht unterschreiten

## 7. MONTAGE

### 7.1. Sicherheitshinweise



#### GEFAHR!

##### Gefahr durch elektrische Spannung!

Bei Eingriffen in das Gerät besteht akute Verletzungsgefahr.

- Schalten Sie in jedem Fall die Spannung ab und sichern Sie diese vor Wiedereinschalten, bevor Sie den Deckel entfernen, das Getriebe trennen oder den Hebel benutzen.
- Schließen Sie mehrere Drehantriebe immer mit Phasentrennung über einen Schalter an!
- Schützen Sie die Drehantriebe durch eine netzabhängige Sicherung!
- Beachten Sie die geltenden Unfallverhütungs- und Sicherheitsbestimmungen für elektrische Geräte!



#### WARNUNG!

##### Gefahr durch unsachgemäße Montage!

Unsachgemäße Montage kann zu Verletzungen sowie zu Schäden am Gerät und seiner Umgebung führen.

- Die Montage darf nur durch autorisiertes Fachpersonal und mit geeignetem Werkzeug durchgeführt werden!
- Beachten Sie die Angaben im Kapitel „6. Technische Daten“.

##### Gefahr durch unbeabsichtigte Betätigung des Geräts!

Ungewolltes Ingangsetzen des Geräts bei der Montage kann zu Verletzungen und Sachschäden führen.

- Durch geeignete Maßnahmen verhindern, dass das Gerät nicht unbeabsichtigt betätigt werden kann.

### 7.2. Montage des Drehantriebs



Der Drehantrieb wird mit der Voreinstellung <Geschlossen> ausgeliefert.

Die Montage des Drehantriebs auf einen Kugelhahn bzw. Klappenventil erfolgt über folgende Befestigungsvarianten:

- ISO F05 (4 x M6 bei einem Flansch - Ø von 50 mm)
- ISO F07 (4 x M8 bei einem Flansch - Ø von 70 mm)
- ISO F10 (4 x M10 bei einem Flansch - Ø von 102 mm)
- ISO F12 (4 x M12 bei einem Flansch - Ø von 125 mm)

#### 7.2.1. Wellenende

Die Größen der Innensternform des Wellenendes ist von der Antriebsgröße abhängig. Jedem Antrieb ist nur die Standardgröße der Innensternform beigelegt (siehe Tabelle).

Antriebsgröße [Nm]	Standardgröße der Innensternform [mm]
25	17 / 11
45 / 75	17 / 14

Antriebsgröße [Nm]	Standardgröße der Innensternform [mm]
100 / 150 / 300	22 / 17
600 / 1000	36



Über separat zu beziehende Reduzierhülsen können die Wellenenden der Kugelhähne / Klappenventile der mitgelieferten Sternformgröße angepasst werden.

Die Bestellnummern und eine Übersicht der verfügbaren Reduzierhülsen finden Sie im Kapitel „13. Zubehör“.

Weitere Informationen erhalten Sie über Ihre Bürkert Vertriebsniederlassung.



Wichtiger Hinweis für die dauerhafte Funktion:

#### **Drehantrieb nicht kopfüber anbringen!**

Dabei kann das Medium aus der Armatur in den Antrieb gelangen.

Die notwendige Höhe zur Montage des Drehantriebs über dem Kugelhahn / Klappenventil entnehmen Sie bitte den Maßen im Kapitel Abmessungen. Geben Sie einen zusätzlichen Abstand von 100 mm vor.

#### Montage Vorgehensweise:

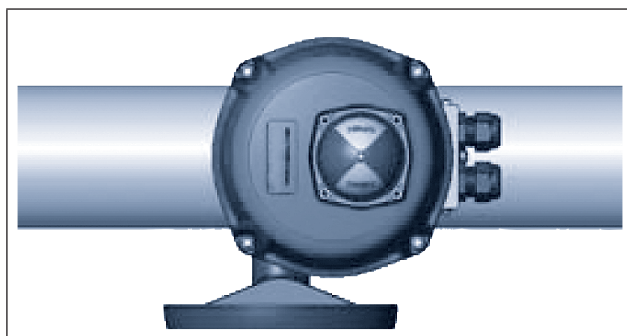


Bild 8: Standardinstallation

→ Sicherstellen, dass sich der Kugelhahn / das Klappenventil in seiner geschlossenen Position befindet.

→ Drehantrieb vorsichtig auf die Welle des Kugelhahns / Klappenventils stecken.



Darauf achten, dass beim Aufstecken des Drehantriebs dieser nicht verkantet und dass sich die Befestigungsgewinde des Drehantriebs mit den Befestigungsbohrungen des Kugelhahns / Klappenventils decken.

→ Befestigungsschrauben in die Befestigungsgewinde des Drehantriebs schrauben und fest anziehen (max. 3 Nm).

#### 7.2.2. Einstellung der mechanischen Endlagenbegrenzung (Antriebe 100 - 1000 Nm)



Die mechanischen Endlagenbegrenzungen sind werkseitig voreingestellt und mit Loctite verklebt. Sie können jedoch durch Drehen der Schrauben M8 Pos. 17 (siehe „Bild 2“ und „Bild 3“) verstellt werden. Danach müssen die Muttern wieder verklebt werden.

- Muttern M8 der mechanischen Endanschläge 17 (siehe „Bild 2“ und „Bild 3“) lösen und die mechanischen Endlagenbegrenzungen einstellen.
- Muttern wieder mit Loctite (z. B. Loctite 577) verkleben.

### 7.2.3. Einstellung der Endschalterkontakte



Die beiden oberen Endschalterkontakte sind werkseitig auf 0 - 90° eingestellt.

#### Stellungsanzeiger und Haube demontieren

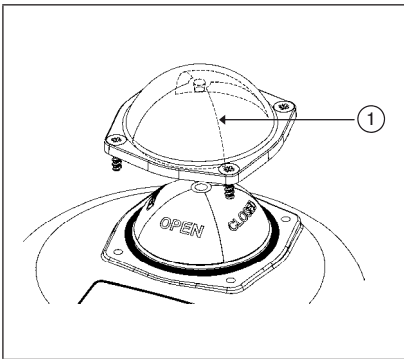


Bild 9: Glashaube Demontage

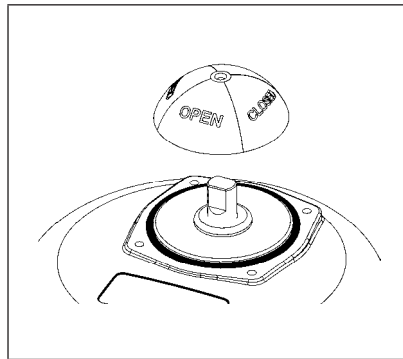


Bild 10: Stellscheibenschild Demontage

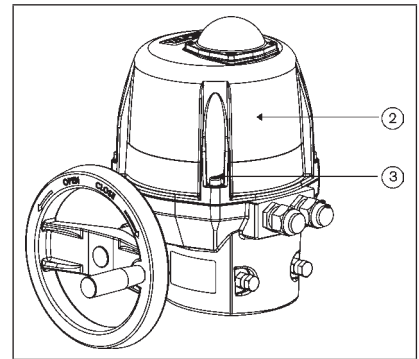


Bild 11: Haube Demontage

#### Vorgehensweise:

- Glashaube des Stellscheibenschildes 1 inkl. den Dichtring durch Lösen der vier Befestigungsschrauben abnehmen und die Glashaube entfernen (siehe „Bild 9“).
- Stellscheibenschild entfernen (siehe „Bild 10“).
- Haube 2 durch Lösen der vier Befestigungsschrauben 3 entfernen (siehe „Bild 11“).

#### Nocken für Endschalterkontakte einstellen

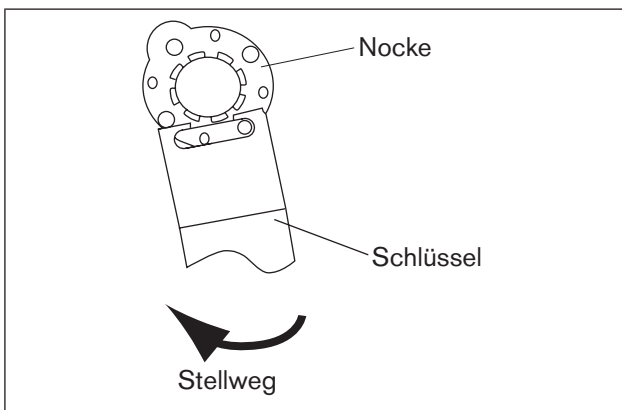


Bild 12: Endschaltereinstellung im Uhrzeigersinn

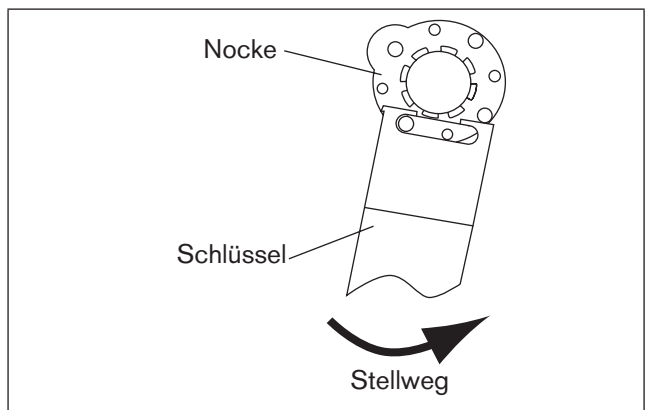


Bild 13: Endschaltereinstellung gegen den Uhrzeigersinn

#### Vorgehensweise:

- Die beiden oberen Nocken mit Hilfe eines geeigneten Schlüssels einstellen (siehe „Bild 12“ und „Bild 13“).

→ Nach Abschluss der Einstellarbeiten die Haube 3, den Stellschalter, die Dichtung und die Glashaube 1 wieder montieren.



Der Drehantrieb wird ab Werk mit folgenden Einstellungen geliefert:

- Der Endschalter ZU (FCF) ist durch die Nocke betätigt (geschlossene Position).
- Der Endschalter AUF (FCO) ist auf einen Drehwinkel von 90° voreingestellt.

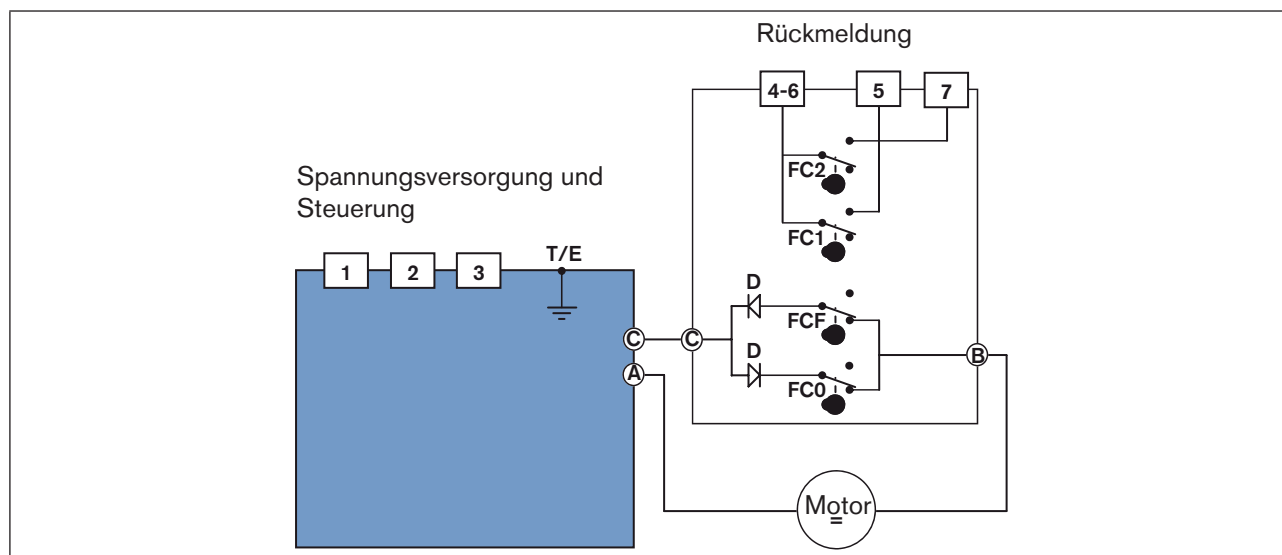


Bild 14: Interne Verdrahtung Antrieb

## 8. INSTALLATION

### 8.1. Sicherheitshinweise



#### WARNUNG!

##### Gefahr durch unsachgemäße Installation!

Unsachgemäße Installation kann zu Verletzungen sowie zu Schäden am Gerät und seiner Umgebung führen.

- Fluidische und elektrische Installationen dürfen nur durch autorisiertes Fachpersonal und mit geeignetem Werkzeug durchgeführt werden!

##### Gefahr durch unbeabsichtigte Betätigung der Anlage!

Ungewolltes Ingangsetzen der Anlage während der Installationsarbeiten kann zu Verletzungen und Sachschäden führen.

- Durch geeignete Maßnahmen verhindern, dass die Anlage unbeabsichtigt betätigt werden kann.

### 8.2. Elektrische Installation



#### GEFAHR!

##### Gefahr durch elektrische Spannung!

Bei Eingriffen in das Gerät besteht akute Verletzungsgefahr.

- Vor Beginn der Arbeiten in jedem Fall die Spannung abschalten und diese vor Wiedereinschalten sichern!
- Die geltenden Unfallverhütungs- und Sicherheitsbestimmungen für elektrische Geräte beachten!
- Erdungskabel über die Erdungsschraube befestigen!



Am Typschild des Drehantriebs überprüfen, ob die angegebene Spannung der Spannung des Netzes entspricht.



Für die elektrische Installation sind Kabel mit einem Durchmesser von 7 bis 12 mm zulässig. Die verwendeten Kabel müssen eine obere Grenztemperatur von mindestens 80°C haben.  
Nur ATEX zugelassene Kabelverschraubung und Kabel verwenden.

#### Vorbereitende Arbeiten:

→ Edelstahl-Schrauben 3 für die Haube 2 entfernen und die Haube vorsichtig abnehmen (siehe „Bild 1“, „Bild 2“ und „Bild 3“).

#### 8.2.1. Masseanschluss außen oder innen

Das Erdungskabel für die Spannungsversorgung und Steuerung muss mit der Erdungsschraube 16 (M5) am Außengehäuse befestigt werden (siehe „Bild 1“, „Bild 2“ und „Bild 3“).

#### Vorgehensweise:

→ Erdungsschraube 16 lösen und Öse des Erdungskabels mit der Erdungsschraube befestigen (siehe „Bild 1“, „Bild 2“ und „Bild 3“).

→ Optional kann die Erdungsschraube an Pos. A der Stromversorgungskarte angeschlossen werden.

→ Hierzu die Erdungsschraube lösen und Öse des Erdungskabels mit der Erdungsschraube befestigen (siehe „Bild 15“ und „Bild 16“).



### 8.2.2. 100-240 V AC (100-350 V DC) oder 15-30 V AC (12-48 V DC) Standardausführung



Die Betriebsspannung des Antriebs beträgt 15-30 V AC (12-48 V DC) oder 100-240 V AC (100-350 V DC).

Unbedingt die Angaben auf dem Typschild beachten!

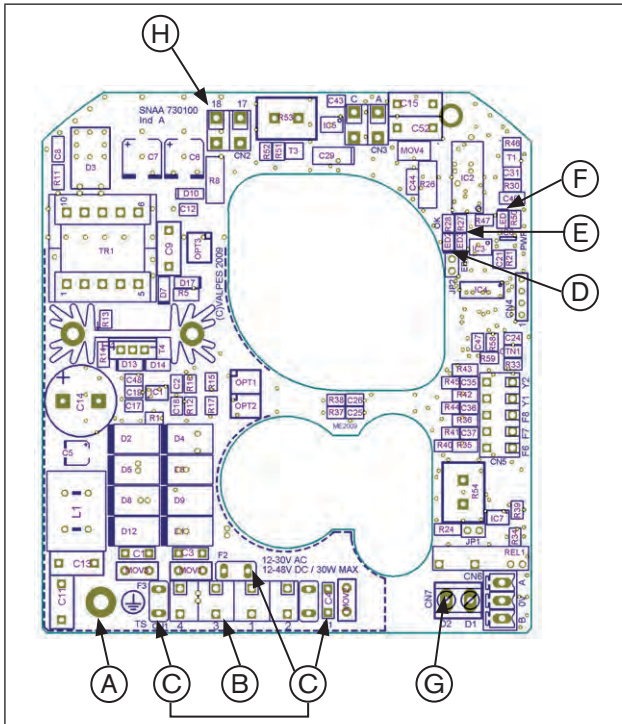


Bild 15: Stromversorgungsplatine 15-30 V 50/60 Hz (12-48 V DC)

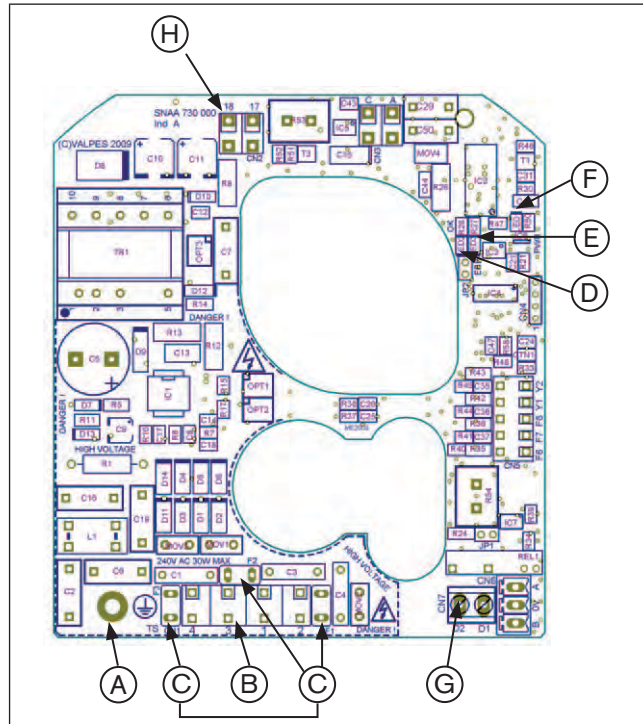


Bild 16: Stromversorgungsplatine 100-240 V 50/60 Hz (100-350 V DC)

No.	Bezeichnung
A	Schraube für Erdung
B	Anschlüsse für Steuerung und Stromversorgung
C	Sicherung
D	LED 1: Mikroprozessor OK

No.	Bezeichnung
E	LED 2: Fehlermeldung
F	LED 3: Anliegende Spannung
G	Anschluss für Fehlerrückmeldung (24 V DC - 3 A max)
H	Anschluss 24 V DC

Der Drehantrieb kann in zwei verschiedenen Modi angeschlossen und betrieben werden:

1. Drei Punkt Modus
2. Auf / Zu Modus

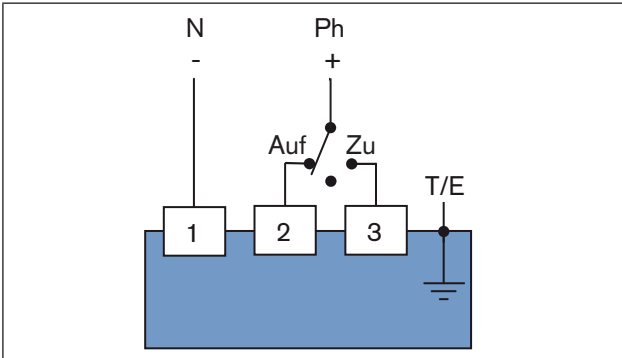


Bild 17: Drei Punkt Modus

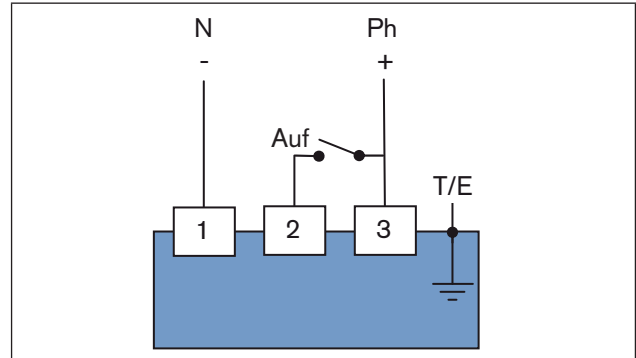


Bild 18: Auf / Zu - Modus / Notstromvariante

**!** Sind die Klemmen 2 und 3 gleichzeitig mit Spannung beaufschlagt, ist die Klemme 2 die führende und der Antrieb fährt in Position AUF.

**Vorgehensweise:**

- Linke Kabelverschraubung 15 (siehe „Bild 1“, „Bild 2“) lösen und das anzuschließende Kabel hindurchführen.
- Kabel entsprechend der gewünschten Steuerungsart (siehe „Bild 17“ und „Bild 18“) an der Klemmleiste Pos. B der Spannungsversorgungskarte anschließen (siehe „Bild 15“ und „Bild 16“).

**Funktionsweise beim Auf / Zu - Modus (siehe „Bild 18“):**

- Schalter geöffnet = Antrieb fährt zu
- Schalter geschlossen = Antrieb fährt auf

**Rückmeldung anschließen**

**!** Die Endschalter für die Rückmeldung sind für eine maximale Spannung von 250 V AC/DC - 5 A geeignet.

Der Drehantrieb ist mit zwei zusätzlichen Endschalterkontakten versehen, die werkseitig in geöffneter Stellung ausgeliefert werden. Diese können für die Rückmeldung des Drehantriebs verwendet werden.

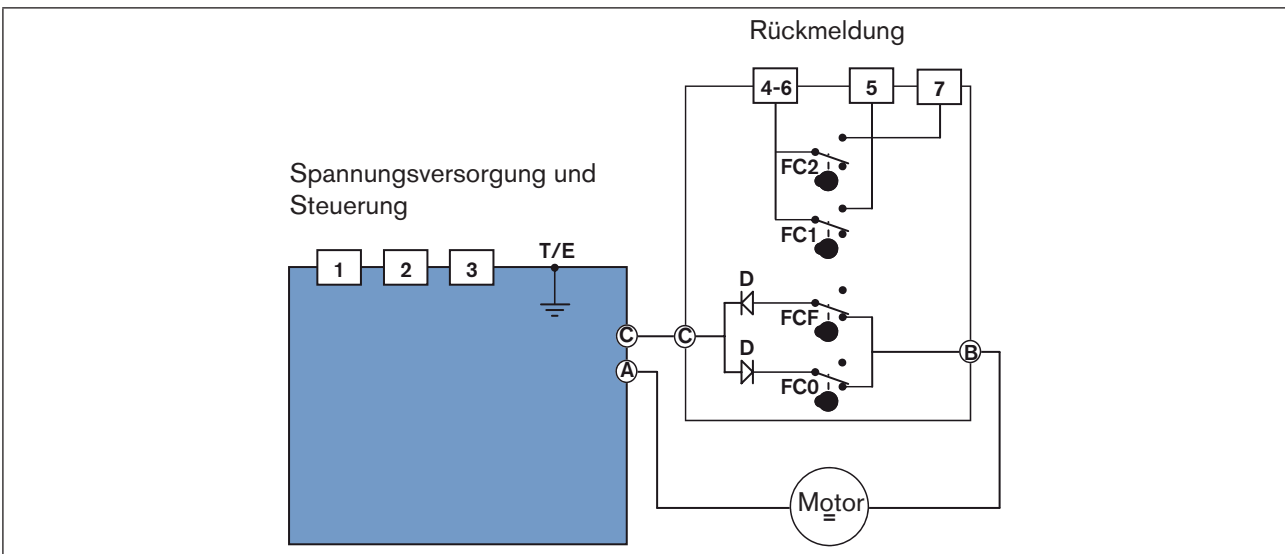


Bild 19: Interne Verdrahtung Antrieb

Über zwei Nocken Nr. 13 werden die Endschalterkontakte betätigt (siehe „Bild 1“ und „Bild 2“).

- Die weiße Nocke dient dazu, um die Öffnung zu erfassen (FC1).
- Die schwarze Nocke dient dazu, um das Schließen zu erfassen (FC2).

**Vorgehensweise:**

→ Kabel an der Klemmleiste 12 (siehe „Bild 1“ und „Bild 2“) gemäß Schema anschließen (siehe „Bild 19“).

**8.2.3. Ausführung mit Analogsignaleingang**

**!** Die Betriebsspannung des Antriebs beträgt 15-30 V AC (12-48 V DC) oder 100-240 V AC (100-350 V DC).  
Unbedingt die Angaben auf dem Typschild beachten!

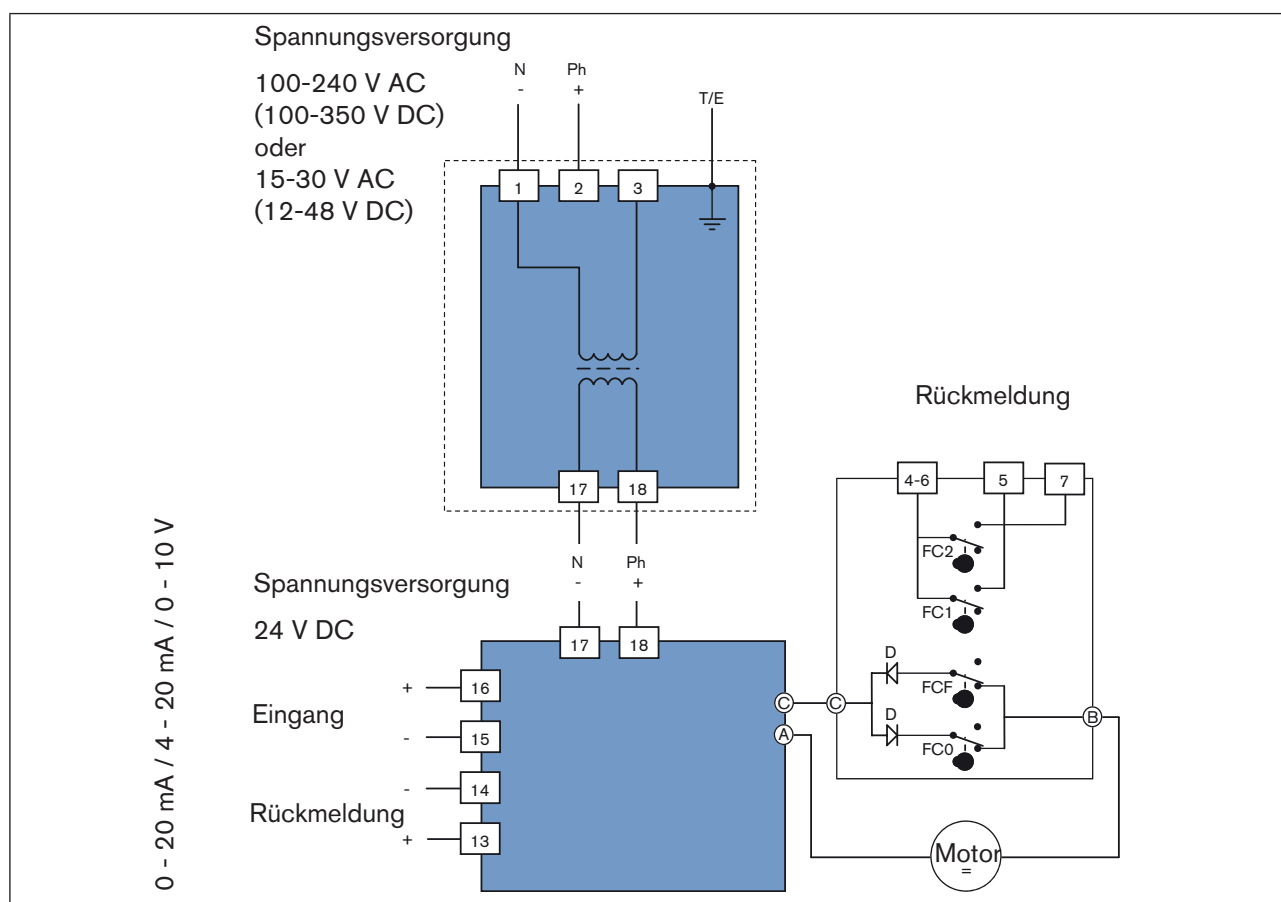


Bild 20: Elektrisches Schaltschema

**Vorgehensweise:**

- Linke Kabelverschraubung 15 lösen und das anzuschließende Kabel hindurchführen (siehe „Bild 1“ auf Seite 50 und „Bild 2“ auf Seite 51).
- Kabel entsprechend dem elektrischen Schaltschema (siehe „Bild 20“) an der Klemmleiste Pos. 14 der Spannungsversorgungskarte anschließen (siehe „Bild 1“ und „Bild 2“).

MAN 1000105907 ML Version: F Status: RL (released | freigegeben) printed: 22.05.2018

**Rückmeldung anschließen**



Die Endschalter für die Rückmeldung sind für eine maximale Spannung von 250 V AC/DC - 5 A geeignet.

Der Drehantrieb ist mit zwei Endschalterkontakten versehen, die werkseitig in geöffneter Stellung ausgeliefert werden. Diese können für die Rückmeldung des Drehantriebs verwendet werden.

Über zwei Nocken Nr. 13 werden die Endschalterkontakte betätigt (siehe „Bild 1“ und „Bild 2“).

- Die weiße Nocke dient dazu, um die Öffnung zu erfassen (FC1).
- Die schwarze Nocke dient dazu, um das Schließen zu erfassen (FC2).

**Vorgehensweise:**

→ Kabel an der Klemmleiste 12 (siehe „Bild 1“ und „Bild 2“) gemäß Schema anschließen (siehe „Bild 20“).

**8.2.4. Schaltplan 400 V Drehstrom Version**

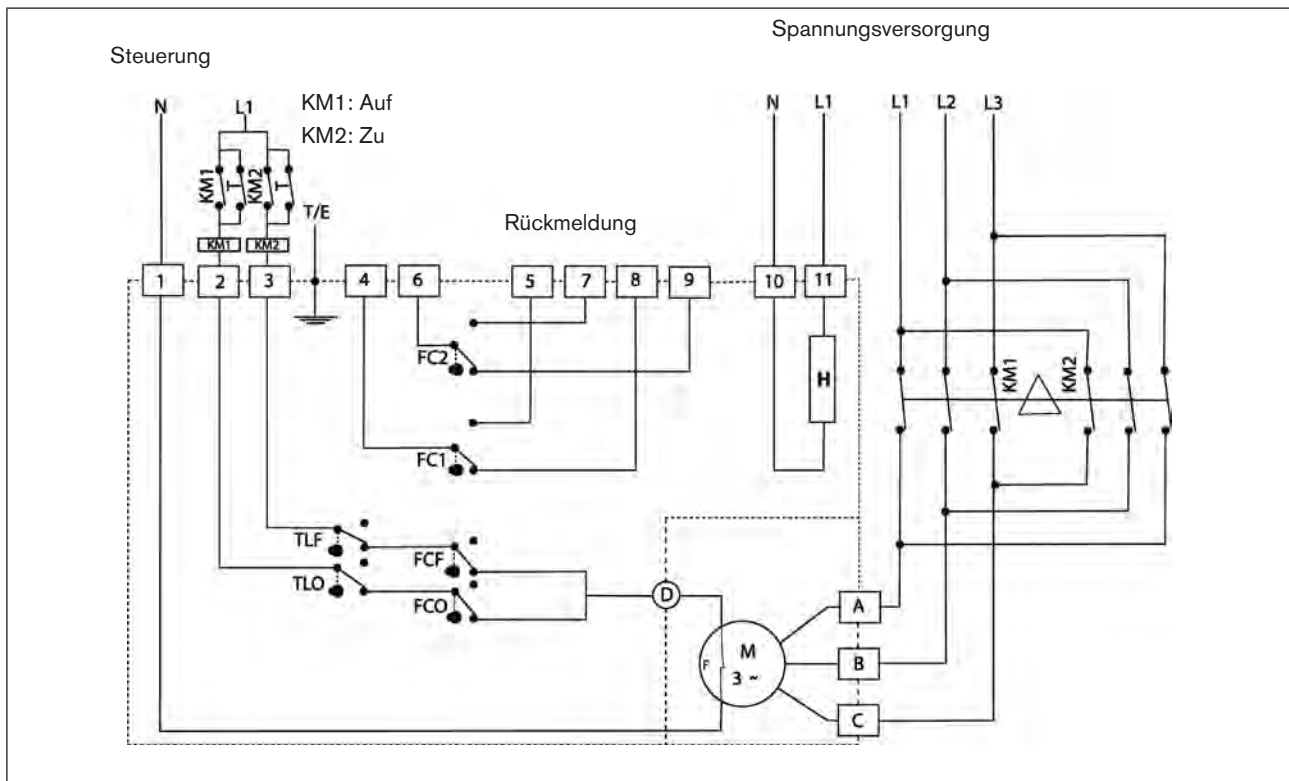


Bild 21: Schaltplan 400 V Drehstrom

Symbol	Beschreibung
FCO	Endschalter AUF
FCF	Endschalter ZU
FC1	Zusätzlicher Endschalter 1
FC2	Zusätzlicher Endschalter 2
TLO	Drehmomentschalter: Öffnen

Symbol	Beschreibung
TLF	Drehmomentschalter: Geschlossen
M	Motor
F	Motor Thermoschalter
H	Heizwiderstand

## 8.3. Regelkarte

Für Drehantrieb mit Analogsteuerung

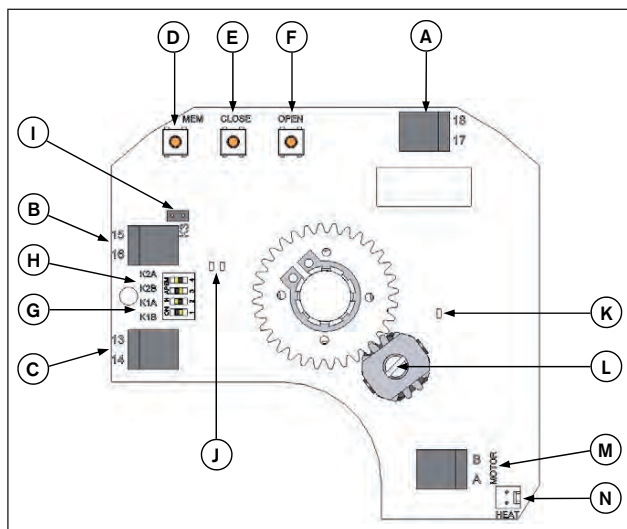


Bild 22: Regelkarte (24 V DC)

No.	Bezeichnung
A	24 V DC Spannungsversorgung
B	Anschlussklemmen Signalgeber
C	Anschlussklemmen Rückmeldung
D	Einstellknopf <MEM>
E	Einstellknopf <CLOSE>
F	Einstellknopf <OPEN>
G	K1 Steckbrücke

No.	Bezeichnung
H	K2 Steckbrücke
I	K3 Steckbrücke
J	Grüne und rote LEDs
K	Gelbe LED: anzeige Stromversorgung
L	Potentiometer
M	Anschluss Motor
N	Anschluss Heizwiderstand

### 8.3.1. Position der Steckbrücken

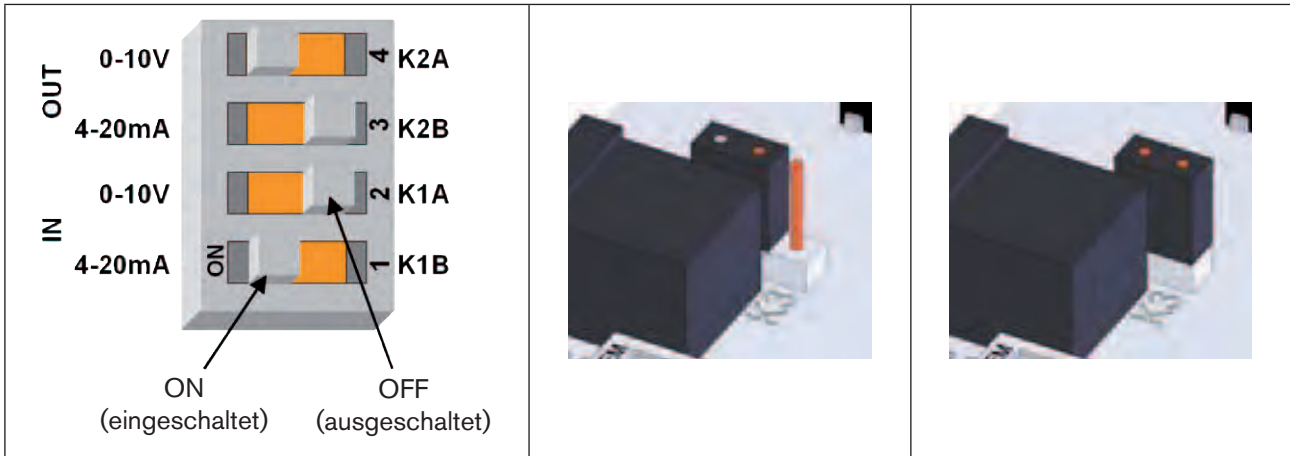


Bild 23: Steckbrücke K1 / K2

Bild 24: Steckbrücke K3 OFF



Bild 25: Steckbrücke K3 ON

Signalgeber	Rückmeldung	Steckbrücke K1		Steckbrücke K2		Steckbrücke K3
		A	B	A	B	
0 - 10 V	0 - 10 V	ON	OFF	ON	OFF	OFF
0 - 10 V	0 - 20 mA	ON	OFF	OFF	ON	OFF
0 - 10 V	4 - 20 mA	ON	OFF	OFF	ON	ON
4 - 20 mA	0 - 10 V	OFF	ON	ON	OFF	OFF
4 - 20 mA	0 - 20 mA	OFF	ON	OFF	ON	OFF
4 - 20 mA	4 - 20 mA	OFF	ON	OFF	ON	ON
4 - 20 mA*	0 - 10 V	ON	OFF	ON	OFF	OFF
4 - 20 mA*	0 - 20 mA	ON	OFF	OFF	ON	OFF
4 - 20 mA*	4 - 20 mA	ON	OFF	OFF	ON	ON


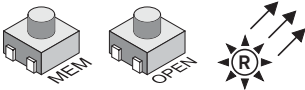
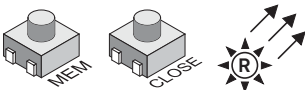
\* Ausführung mit Notrückstellung

## 8.3.2. Parameter einstellen

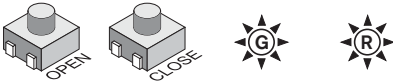

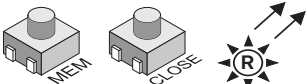

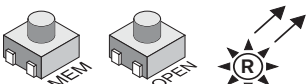
### Drehrichtung des Absperrventils festlegen

Normale Drehrichtung (voreingestellt)	
	<p>→ Taster &lt;OPEN&gt; drücken und die Karte einschalten (dabei Taster gedrückt halten).</p> <p>Die GRÜNE LED leuchtet auf.</p> <p>→ Taster &lt;OPEN&gt; loslassen und die Karte spannungsfrei machen.</p>
Umgekehrte Drehrichtung	
	<p>→ Taster &lt;CLOSE&gt; drücken und die Karte einschalten (dabei Taster gedrückt halten).</p> <p>Die ROTE LED leuchtet auf.</p> <p>→ Taster &lt;CLOSE&gt; loslassen und die Karte spannungsfrei machen.</p>






### Steuersignaltyp festlegen

Steuersignal bei Spannung 0 ... 10 V	
	<p>→ Taster &lt;MEM&gt; drücken und die Karte einschalten (dabei Taster gedrückt halten).</p> <p>Die ROTE LED leuchtet <b>3x</b> auf.</p> <p>→ Taster &lt;MEM&gt; loslassen und die Karte spannungsfrei machen.</p>
Steuersignal bei Strom 0 ... 20 mA	
	<p>→ Taster &lt;MEM&gt; und &lt;OPEN&gt; drücken und die Karte einschalten (dabei die Taster gedrückt halten).</p> <p>Die ROTE LED leuchtet <b>3x</b> auf.</p> <p>→ Taster &lt;MEM&gt; und &lt;OPEN&gt; loslassen und die Karte spannungsfrei machen.</p>
Steuersignal bei Strom 4 ... 20 mA (voreingestellt)	
	<p>→ Taster &lt;MEM&gt; und &lt;CLOSE&gt; drücken und die Karte einschalten (dabei die Taster gedrückt halten).</p> <p>Die ROTE LED leuchtet <b>3x</b> auf.</p> <p>→ Taster &lt;MEM&gt; und &lt;CLOSE&gt; loslassen und die Karte spannungsfrei machen.</p>

**Lernmodus**

Endlagen festlegen	
	<p>→ Taster &lt;OPEN&gt; und &lt;CLOSE&gt; drücken und die Karte einschalten (dabei die Taster gedrückt halten).</p> <p>Die ROTE und die GRÜNE LED leuchten auf.</p> <p>→ Taster &lt;OPEN&gt; und &lt;CLOSE&gt; loslassen.</p> <p>Die beiden LED's erlöschen.</p> <p>Der Lernmodus ist gewählt.</p>
	<p>→ Taster &lt;CLOSE&gt; drücken, um das Absperrventil in die geschlossene Position zu bringen.</p> <p>Die ROTE LED leuchtet auf.</p>
	<p>→ Taster &lt;MEM&gt; und &lt;CLOSE&gt; drücken, um die geschlossene Position zu speichern.</p> <p>Die ROTE LED leuchtet <b>2x</b> auf.</p>
	<p>→ Taster &lt;OPEN&gt; drücken, um das Absperrventil in die geöffnete Position zu bringen.</p> <p>Die GRÜNE LED leuchtet auf.</p>
	<p>→ Taster &lt;MEM&gt; und &lt;OPEN&gt; drücken, um die geöffnete Position zu speichern.</p> <p>Die GRÜNE LED leuchtet <b>2x</b> auf.</p>
	<p>Alle Positionen sind nun gespeichert.</p> <p>→ Karte spannungsfrei machen.</p>

**8.3.3. Normalbetrieb**

Anzeige Normalbetrieb	
	<p>→ Karte einschalten.</p> <p>Die GRÜNE LED leuchtet <b>3x</b> auf, um anzuzeigen, dass der Startvorgang korrekt ausgeführt wurde.</p>
	<p>Im Normalbetrieb leuchtet die GRÜNE LED auf, wenn der Drehantrieb das Absperrventil öffnet.</p>
	<p>Die ROTE LED leuchtet auf, wenn der Drehantrieb das Absperrventil schließt.</p>
	<p>Wenn keine der beiden LED's leuchtet, so wird der Antrieb nicht angesteuert.</p>
	<p>Die ROTE und die GRÜNE LED leuchten auf, wenn das Drehmoment zu hoch ist und der Drehantrieb stoppt.</p> <p>→ Drehrichtung des Drehantriebes wechseln oder die Spannung AUF/ ZU umschalten, um den Drehantrieb wieder zu starten!</p>

MAN 1000105907 ML Version: F Status: RL (released | freigegeben) printed: 22.05.2018



## 9. OPTION: DREHANTRIEBE MIT NOTSTROMVARIANTE

### 9.1. Beschreibung

Die Notstromvariante besteht aus einem integrierten Sicherheitsblock für die Notrückstellung.

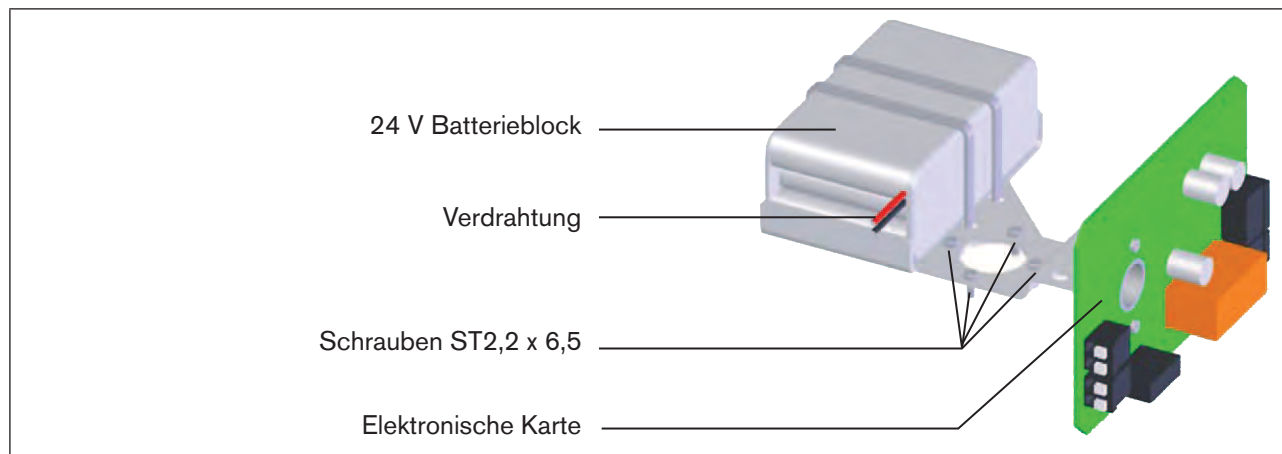


Bild 26: Sicherheitsblock der Notstromvariante; Teilebezeichnung

### 9.2. Technische Daten

Spannung	24 V DC
Nennstrom	0,8 A
Maximal Strom	2,4 A
Ladezeit	14 h

## 9.3. Elektrischer Anschluss des Sicherheitsblocks

### 9.3.1. Anschlussschema

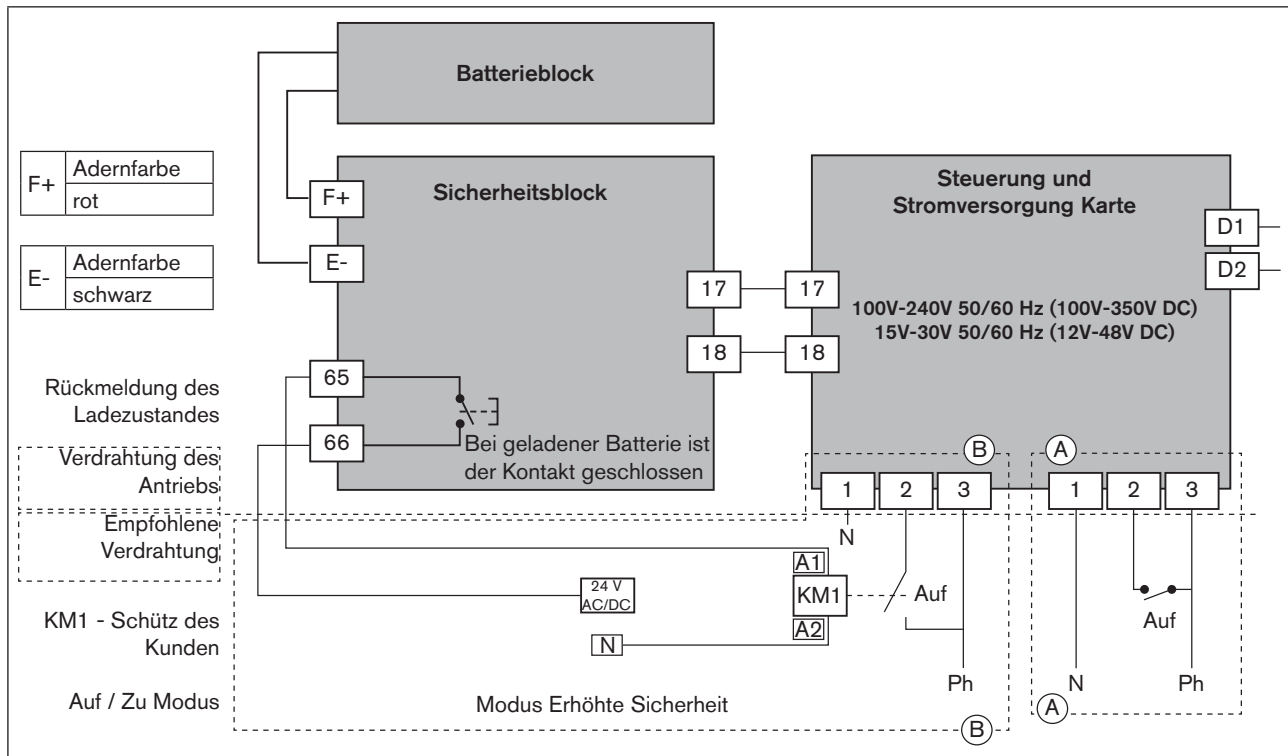


Bild 27: Anschlussschema der Notrückstellung

#### Konfiguration A oder B

**A-Standard Modus:** Wird der Antrieb mit einer programmierbaren Steuerung angesteuert, kann die Rückmeldung des Ladezustandes darauf angeschlossen werden.

**B-Modus - Erhöhte Sicherheit** (bei Benutzung der Rückmeldungsrelais, Klemmen 65 und 66): Der Antrieb betätigt die Armatur nur dann, wenn der Sicherheitsblock geladen ist.

### 9.3.2. Beschreibung der elektronischen Platine

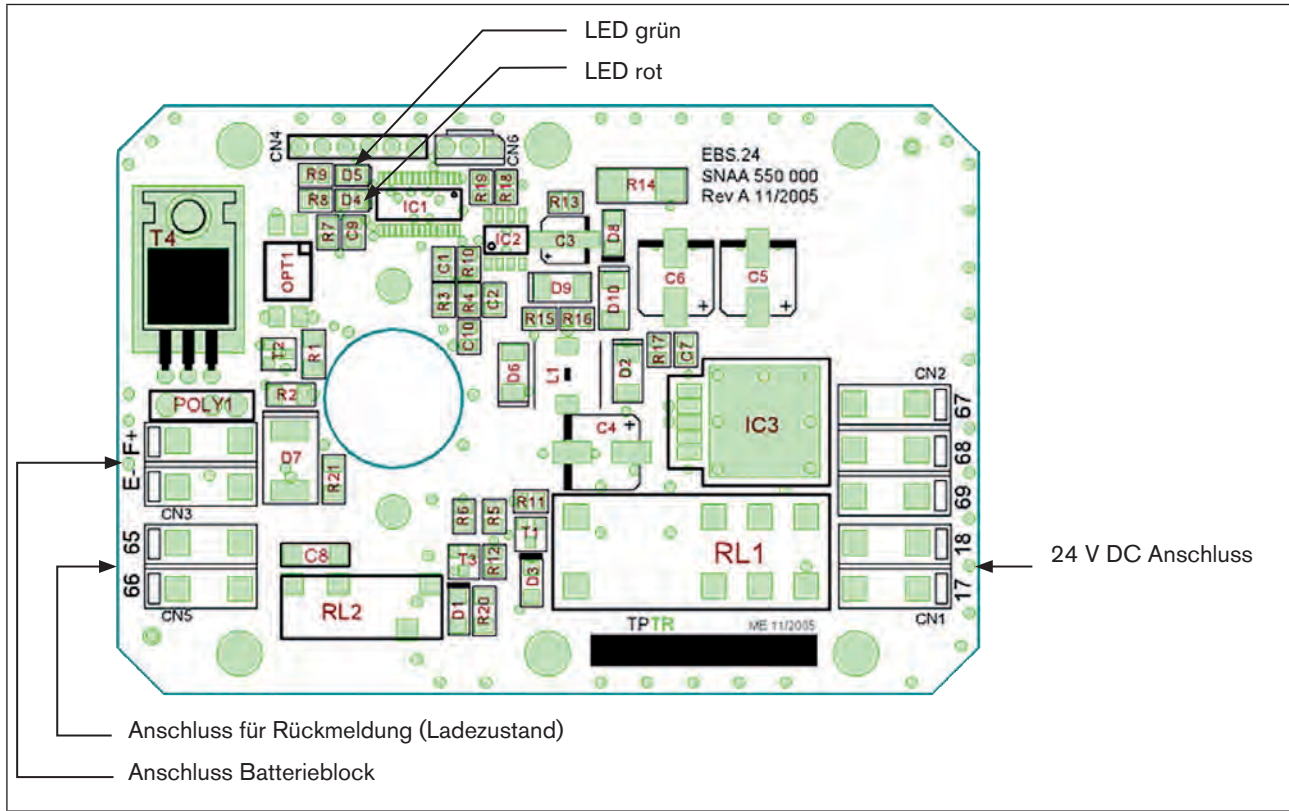


Bild 28: Darstellung: Elektronische Karte

#### LED Zustandsbeschreibung

LED	Zustand	Beschreibung
Grün	leuchtet	Netzbetrieb
	blinkt	Batteriebetrieb
Rot	leuchtet	Batterie ist aufgeladen
	blinkt	Batterie wird aufgeladen

## 9.4. Einbau des Sicherheitsblocks in den Stellantrieb

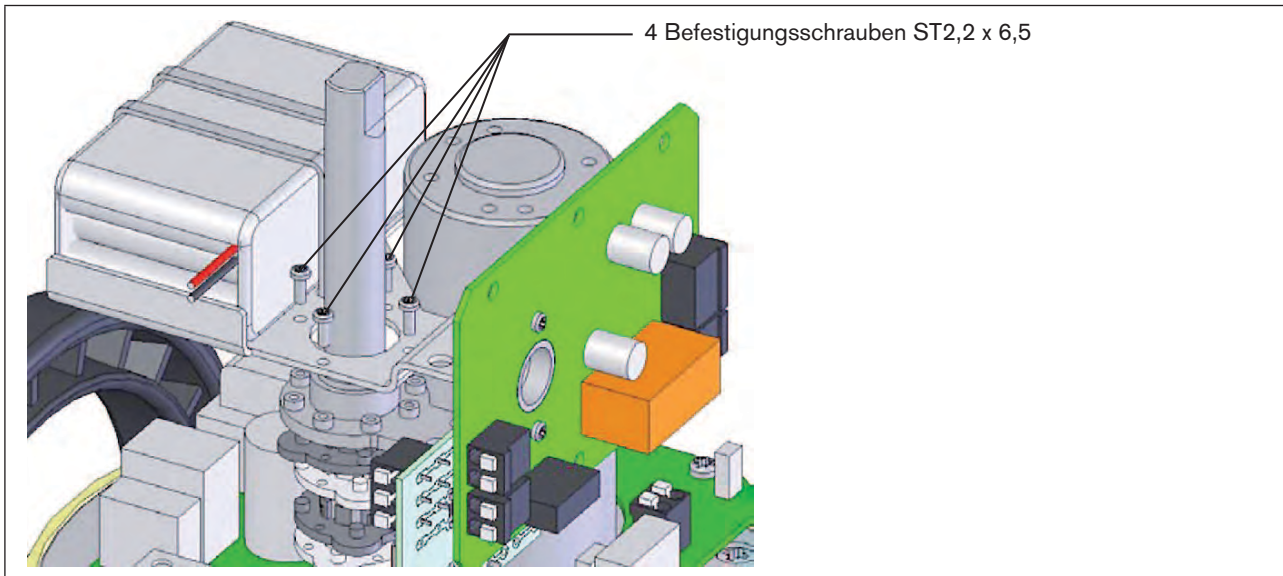


Bild 29: Darstellung: Einbau des Sicherheitsblocks in den Stellantrieb

→ Den Sicherheitsblock der Notstromvariante mit 4 Schrauben am Stellantrieb befestigen (siehe „Bild 29“).

→ Die Batterie in dieser Reihenfolge anschließen:

1. F+ (Adernfarbe rot)
2. E- (Adernfarbe schwarz)

→ Die Stromversorgung in dieser Reihenfolge anschließen:

1. Klemme 18
2. Klemme 17

(siehe „Bild 28: Darstellung: Elektronische Karte“)

## 10. INBETRIEBNAHME

### 10.1. Sicherheitshinweise



#### **WARNUNG!**

##### **Gefahr durch unsachgemäßen Betrieb!**

Nicht sachgemäßer Betrieb kann zu Verletzungen, sowie Schäden am Gerät und seiner Umgebung führen.

- Vor der Inbetriebnahme muss gewährleistet sein, dass der Inhalt der Bedienungsanleitung dem Bedienungspersonal bekannt ist und vollständig verstanden wurde.
- Besonders zu beachten sind die Sicherheitshinweise und die bestimmungsgemäße Verwendung.
- Das Gerät/die Anlage darf nur durch ausreichend geschultes Personal in Betrieb genommen werden.

### 10.2. Vorgehensweise

- Sicherstellen, dass Anschlüsse und Einstellungen entsprechend Kapitel „7. Montage“ ordnungsgemäß ausgeführt wurden.
- Überprüfen, ob sich der Drehantrieb und die Armatur in einer definierten Endstellung befinden, da sonst die Armatur blockieren kann. In diesem Fall schaltet der Antrieb automatisch ab.

## 11. BEDIENUNG UND FUNKTION

### 11.1. Sicherheitshinweise



#### **WARNUNG!**

##### **Gefahr durch elektrische Spannung!**

Bei Eingriffen in das Gerät besteht akute Verletzungsgefahr.

- Schalten Sie die Spannung ab, bevor Sie den Drehantrieb manuell bedienen.
- Beachten Sie die geltenden Unfallverhütungs- und Sicherheitsbestimmungen für elektrische Geräte!



#### **WARNUNG!**

##### **Gefahr durch unsachgemäßen Bedienung!**

Nicht sachgemäße Bedienung kann zu Verletzungen, sowie Schäden am Gerät und seiner Umgebung führen.

- Das Bedienungspersonal muss den Inhalt der Bedienungsanleitung kennen und verstanden haben.
- Besonders zu beachten sind die Sicherheitshinweise und die Bestimmungsgemäße Verwendung.
- Das Gerät/die Anlage darf nur durch ausreichend geschultes Personal bedient werden.



#### **WARNUNG!**

##### **Gefahrensituation durch manuellen Eingriff!**

Bei manuellen Eingriffen kann der Prozess in einen undefinierten Zustand übergehen, der zu Gefahrensituationen führt.

- Gewährleisten Sie nach einem manuellen Eingriff einen definierten oder kontrollierten Wiederanlauf des Prozesses!

### 11.2. Manuelle Bedienung



Vor einer manuellen Bedienung des Drehantriebs sicherstellen, dass die Spannungszufuhr unterbrochen ist!

Das Handrad kann ohne Auskuppeln manuell bedient werden. Es sind keine besonders durchzuführende Arbeitsschritte notwendig.

## 12. WARTUNG, FEHLERBEHEBUNG

### 12.1. Sicherheitshinweise

**GEFAHR!**

**Gefahr durch elektrische Spannung!**

Bei Eingriffen in das Gerät besteht akute Verletzungsgefahr.

- Vor Beginn der Arbeiten in jedem Fall die Spannung abschalten und diese vor Wiedereinschalten sichern!
- Die geltenden Unfallverhütungs- und Sicherheitsbestimmungen für elektrische Geräte beachten!

**WARNUNG!**

**Gefahr durch unsachgemäße Wartungsarbeiten!**

Unsachgemäße Wartung kann zu Verletzungen sowie zu Schäden am Gerät und seiner Umgebung führen.

- Wartungsarbeiten dürfen nur durch autorisiertes Fachpersonal und mit geeignetem Werkzeug durchgeführt werden!

**Gefahr durch unbeabsichtigte Betätigung der Anlage!**

Ungewolltes Ingangsetzen der Anlage bei Wartungs- und Reparaturarbeiten kann zu Verletzungen und Sachschäden führen.

- Durch geeignete Maßnahmen verhindern, dass die Anlage unbeabsichtigt betätigt werden kann.

### 12.2. Wartungsarbeiten

Der Drehantrieb ist bei Gebrauch entsprechend den in dieser Anleitung angegebenen Anweisungen wartungsfrei.

### 12.3. Störungen

Störung	Abhilfe
Der Drehantrieb funktioniert nicht (erste Inbetriebnahme)	→ Stromversorgung überprüfen. → Anschlüsse nach dem mitgelieferten Schaltbild überprüfen.
Der Drehantrieb ist in Position AUF verklemmt	→ Stromzufuhr überprüfen. → Anschlüsse nach dem mitgelieferten Schaltbild überprüfen. → Überprüfen, ob die Beweglichkeit des elektrischen Ventils behindert wird.

Störung	Abhilfe
Das Ventil öffnet oder schließt nicht vollständig	<ul style="list-style-type: none"> <li>→ Stromzufuhr überprüfen.</li> <li>→ Anschlüsse nach dem mitgelieferten Schaltbild überprüfen.</li> <li>→ Endschalter überprüfen.</li> <li>→ Überprüfen, ob Überlastung durch zu hohes Drehmoment am Ventil vorliegt (unsere Drehantriebe sind mit einem elektronischen Überlastschutz ausgestattet).</li> </ul> <p style="text-align: center;"><b>Falls ja:</b> Stromzufuhr für ca. 5 Minuten unterbrechen.</p>
Der Drehantrieb ist in der Position ZU verklemmt	<ul style="list-style-type: none"> <li>→ Stromzufuhr überprüfen.</li> <li>→ Anschlüsse nach dem mitgelieferten Schaltbild überprüfen.</li> <li>→ Überprüfen, ob die Beweglichkeit des elektrischen Ventils behindert wird.</li> </ul>



## 13. ZUBEHÖR



### VORSICHT!

#### Verletzungsgefahr, Sachschäden durch falsche Teile!

Falsches Zubehör und ungeeignete Ersatzteile können Verletzungen und Schäden am Gerät und dessen Umgebung verursachen.

- Verwenden Sie nur Originalzubehör sowie Originalersatzteile der Fa. Bürkert.

Bezeichnung	Bestell-Nr.
Schlüssel zum Einstellen der Endschalter	679 946
Reduzierhülse Stern/Vierkant 14/9 mm	665 288
Reduzierhülse Stern/Vierkant 14/11 mm	665 289
Reduzierhülse Stern/Stern 22/14 mm	666 684
Reduzierhülse Stern/Vierkant 22/17 mm	684 858
Reduzierhülse Vierkant/Vierkant 17/14 mm	665 290
Adapter Aussenvierkant 14/10 mm	668 234

## 14. VERPACKUNG, TRANSPORT

### HINWEIS!

#### Transportschäden!

- Unzureichend geschützte Geräte können durch den Transport beschädigt werden.
- Transportieren Sie das Gerät vor Nässe und Schmutz geschützt in einer stoßfesten Verpackung.
- Vermeiden Sie Hitze - und Kälteeinwirkungen, die zur Über- bzw. Unterschreitung der zulässigen Lagertemperatur führen könnten.

## 15. LAGERUNG

### HINWEIS!

#### Falsche Lagerung kann Schäden am Gerät verursachen.

- Lagern Sie das Gerät trocken und staubfrei!
- Lagertemperatur. -20 °C ... +70 °C.

## 16. ENTSORGUNG

→ Entsorgen Sie das Gerät und die Verpackung umweltgerecht.

### HINWEIS!

#### Umweltschäden durch von Medien kontaminierte Geräteteile.

- Halten Sie die diesbezüglich geltenden Entsorgungsvorschriften und Umweltbestimmungen ein.



#### Hinweis:

Beachten Sie die nationalen Abfallbeseitigungsvorschriften.

## Actionneur électrique type 3005

### TABLE DES MATIERES

<b>1.</b>	<b>MANUEL D'UTILISATION .....</b>	<b>85</b>
1.1.	Symbole.....	85
<b>2.</b>	<b>UTILISATION CONFORME.....</b>	<b>86</b>
2.1.	Conditions d'utilisation.....	86
<b>3.</b>	<b>CONSIGNES DE SÉCURITÉ FONDAMENTALES.....</b>	<b>87</b>
<b>4.</b>	<b>INDICATIONS GÉNÉRALES .....</b>	<b>88</b>
4.1.	Adresse.....	88
4.2.	Garantie légale.....	88
4.3.	Informations sur Internet.....	88
<b>5.</b>	<b>DESCRIPTION DU SYSTÈME.....</b>	<b>89</b>
5.1.	Utilisation prévue.....	89
5.2.	Description générale.....	89
5.3.	Vues éclatées.....	90
5.4.	Options.....	93
<b>6.</b>	<b>CARACTÉRISTIQUES TECHNIQUES.....</b>	<b>94</b>
6.1.	Conformité.....	94
6.2.	Normes.....	94
6.3.	Homologations.....	94
6.4.	Conditions d'utilisation.....	94
6.5.	Identification.....	94
6.6.	Caractéristiques techniques générales.....	95
<b>7.</b>	<b>MONTAGE.....</b>	<b>100</b>
7.1.	Consignes de sécurité .....	100
7.2.	Montage de l'actionneur électrique.....	100
<b>8.</b>	<b>INSTALLATION .....</b>	<b>104</b>

8.1.	Consignes de sécurité .....	104
8.2.	Installation électrique .....	104
8.3.	Schéma électrique version 400 V courant triphasé.....	108
8.4.	Carte de positionnement .....	109
9.	OPTION: ACTIONNEUR ÉLECTRIQUE AVEC VARIANTE À COURANT DE SECOURS.....	113
9.1.	Description .....	113
9.2.	Caractéristiques techniques .....	113
9.3.	Raccordement électrique du bloc de sécurité.....	114
9.4.	Montage du bloc de sécurité dans l'actionneur électrique.....	116
10.	MISE EN SERVICE .....	117
10.1.	Consignes de sécurité .....	117
10.2.	Procédure à suivre.....	117
11.	UTILISATION ET FONCTIONNEMENT .....	118
11.1.	Consignes de sécurité .....	118
11.2.	Utilisation manuelle.....	118
12.	MAINTENANCE, DÉPANNAGE.....	119
12.1.	Consignes de sécurité .....	119
12.2.	Travaux de maintenance.....	119
12.3.	Pannes .....	119
13.	ACCESSOIRES .....	121
14.	EMBALLAGE, TRANSPORT .....	122
15.	STOCKAGE .....	122
16.	RECYCLAGE .....	122

# 1. MANUEL D'UTILISATION

Les instructions de service décrivent le cycle de vie complet de l'appareil. Conservez ces instructions de sorte qu'elles soient accessibles à tout utilisateur et à disposition de tout nouveau propriétaire.



## AVERTISSEMENT !

**Les instructions de service contiennent des informations importantes sur la sécurité !**

Le non-respect de ces consignes peut entraîner des situations dangereuses.

- Les instructions de service doivent être lues et comprises.

## 1.1. Symbole



### DANGER !

**Met en garde contre un danger imminent !**

- Le non-respect peut entraîner la mort ou de graves blessures.



### AVERTISSEMENT !

**Met en garde contre une situation éventuellement dangereuse !**

- Risque de blessures graves, voire la mort en cas de non-respect.



### ATTENTION !

**Met en garde contre un risque possible !**

- Le non-respect peut entraîner des blessures légères ou de moyenne gravité.

### REMARQUE !

**Met en garde contre des dommages matériels !**

- L'appareil ou l'installation peut être endommagé(e) en cas de non-respect.



Désigne des informations supplémentaires importantes, des conseils et des recommandations d'importance.



Renvoie à des informations dans ces instructions de service ou dans d'autres documentations.

→ identifie une opération que vous devez effectuer.

## 2. UTILISATION CONFORME



### AVERTISSEMENT !

**L'utilisation non conforme de l'actionneur électrique peut présenter des dangers pour les personnes, les installations proches et l'environnement.**

- L'actionneur électrique peut être utilisé, par ex. pour actionner des vannes, en particulier des vannes à boisseau sphérique ou des vannes papillon.
- L'utilisation doit se faire dans le respect des données admissibles spécifiées dans les documents contractuels et les instructions de service ainsi que des conditions d'exploitation et d'utilisation décrites au chapitre « [5. Description du système](#) ».
- L'appareil peut être utilisé uniquement en association avec les appareils et composants étrangers recommandés et homologués par Bürkert par ex. composants homologués ATEX.
- Les conditions pour l'utilisation sûre et parfaite sont un transport, un stockage et une installation dans les règles ainsi qu'une parfaite utilisation et maintenance.
- Veillez à ce que l'utilisation de l'appareil soit toujours conforme.

### 2.1. Conditions d'utilisation

Lors de l'exportation du système/de l'appareil, veuillez respecter les conditions d'utilisation éventuelles existantes.



Utilisez l'appareil uniquement en parfait état et en respectant les instructions de service.

### 3. CONSIGNES DE SÉCURITÉ FONDAMENTALES

Ces consignes de sécurité ne tiennent pas compte :

- Des hasards et des événements pouvant survenir lors du montage, de l'exploitation et de l'entretien des appareils.
- Des prescriptions de sécurité locales que l'exploitant est tenu de faire respecter par le personnel chargé du montage.



#### **DANGER !**

##### **Danger présenté par la tension électrique !**

Il y a risque important de blessures lors d'interventions sur l'appareil.

- Avant d'effectuer des travaux, coupez toujours l'alimentation et empêchez toute remise sous tension par inadvertance !
- Raccordez toujours plusieurs actionneurs électriques avec séparation des phases par un interrupteur.
- Protégez l'appareil par un fusible approprié.
- Veuillez respecter les réglementations en vigueur pour les appareils électriques en matière de prévention des accidents ainsi qu'en matière de sécurité !

##### **Risque d'explosion !**

Certaines versions d'appareils présentent un risque d'explosion à l'ouverture dans une zone à risque d'explosion.

- Respectez les consignes de sécurité sur la plaque signalétique !

##### **Risque d'explosion dû à la charge électrostatique !**

Il y a risque d'explosion en cas de décharge soudaine d'appareils ou de personnes chargés d'électricité statique dans des zones présentant des risques d'explosion.

- Par des mesures appropriées, assurez-vous qu'il ne peut y avoir de charges électrostatiques dans de telles zones.
- Nettoyez la surface de l'appareil en l'essuyant légèrement avec un chiffon humide.

##### **Situations dangereuses d'ordre général.**

Pour prévenir les blessures, respectez ce qui suit :

- L'installation ne peut pas être actionnée par inadvertance.
- L'actionneur électrique du type 3005 ne doit pas être utilisé dans des zones présentant des risques d'explosion (en l'occurrence veuillez utiliser de type 3004).
- Ne soumettez pas le corps à des contraintes mécaniques (par ex. pour déposer des objets ou en l'utilisant comme marche).
- N'apportez pas de modifications à l'extérieur du carter. Ne peignez pas les pièces du corps et les vis.
- Ne montez pas l'actionneur avec le capot vers le bas.
- Les travaux d'installation et de maintenance doivent être effectués uniquement par des techniciens qualifiés et habilités disposant de l'outillage approprié.
- Après une interruption de l'alimentation électrique ou pneumatique, un redémarrage défini ou contrôlé du processus doit être garanti.
- L'appareil doit être utilisé uniquement en parfait état et en respectant les instructions de service.
- Respecter les conditions d'utilisation et d'installation de l'appareil.

## 4. INDICATIONS GÉNÉRALES

### 4.1. Adresse

#### Allemagne

Bürkert Fluid Control System  
Sales Center  
Chr.-Bürkert-Str. 13-17  
D-74653 Ingelfingen  
Tél. : +49 (0)7940 - 10 91 111  
Fax : +49 (0)7940 - 10 91 448  
E-mail : info@de.buerkert.com

#### International

Les adresses se trouvent aux dernières pages des instructions de service imprimées.

Egalement sur internet sous : [www.buerkert.com](http://www.buerkert.com)

### 4.2. Garantie légale

La condition pour bénéficier de la garantie légale est l'utilisation conforme de l'appareil dans le respect des conditions d'utilisation spécifiées.

### 4.3. Informations sur Internet

Vous trouverez les instructions de service et les fiches techniques concernant le type 3005 sur Internet sous:

[www.buerkert.fr](http://www.buerkert.fr)



## 5. DESCRIPTION DU SYSTÈME

### 5.1. Utilisation prévue

L'actionneur électrique du type 3005 (appelé ci-après actionneur) a été développé pour commander les vannes à boisseau sphérique ou les vannes papillon quart de tour. L'actionneur électrique est également disponible avec un angle de rotation de 180° ou de 270°.

### 5.2. Description générale

Grâce à sa construction modulaire, l'appareil de base peut être complété avec de nombreuses options.



Vous trouverez les options permettant de compléter l'appareil de base au chapitre « [5.4. Options](#) ».

L'actionneur est un servomoteur compact et puissant garantissant une longue durée de vie. L'actionneur est conçu pour le courant continu ou alternatif de puissance différente et pour les couples de 25 à 1000 Nm (actionneur avec signal analogique 25 - 300 Nm).

Les matériaux utilisés garantissent un fonctionnement sans entretien ainsi qu'une faible charge thermique. Tous les actionneurs sont équipés en version standard d'une commande manuelle de secours et de deux fins de course supplémentaires, testés par le fabricant. Les fins de course ont été réglés sur un fonctionnement angulaire de 0 à 90°.

L'actionneur est disponible en mode électrique à ouverture/fermeture ou positionnement. Il peut être combiné avec les composants suivants :

- Vanne à boisseau sphérique en acier inoxydable avec corps en deux parties (type 2651)
- Vanne à boisseau sphérique en acier inoxydable avec corps en trois parties (type 2654)
- Vanne à boisseau sphérique en matériau synthétique (type 2657)
- Vanne papillon métallique (type 2671)
- Vanne papillon en matériau synthétique (type 2674)

Le sens de l'actionneur électrique n'est pas réversible pendant le fonctionnement. Une marche arrière automatique de l'actionneur électrique n'a pas lieu.

Grâce à la commande manuelle de secours, il est possible de manœuvrer l'actionneur. En mode électrique, le volant ne tourne pas.

### 5.3. Vues éclatées

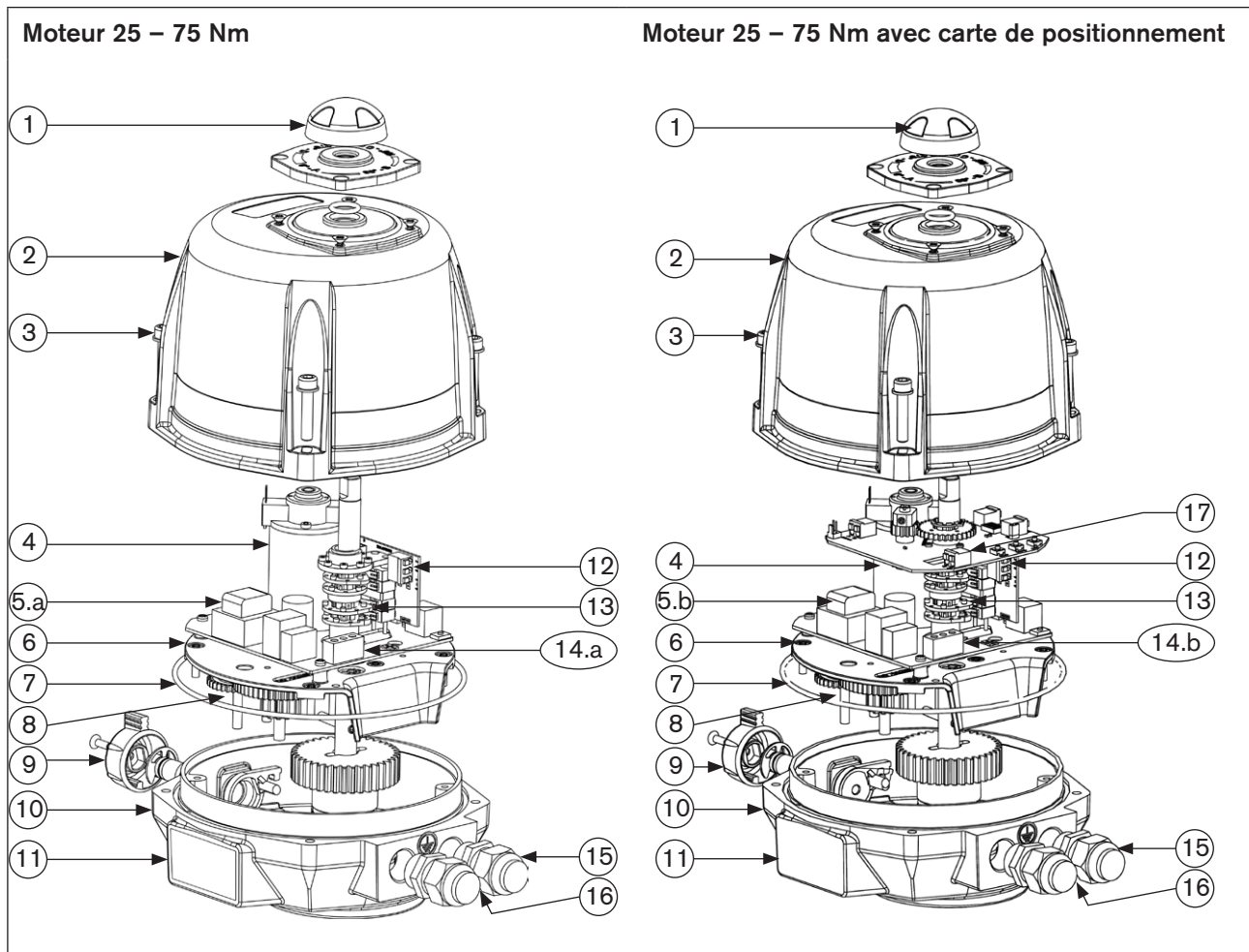


Figure 1 : Vue éclatée du moteur 25 – 75 Nm

N°	Désignation
1	Indicateur de position
2	Capot
3	Vis en acier inoxydable
4	Moteur
5.a*	Commande et alimentation en courant, carte
5.b*	Carte d'alimentation en courant
6	Plaque d'engrenage
7	Joint torique
8	Engrenage
9	Bouton de débrayage

N°	Désignation
10	Carter
11	Place pour plaque signalétique
12	Contacts de recopie + fin de course
13	Cames
14.a*	Commande alimentation en tension
14.b*	Bornier pour alimentation en tension
15	Raccord fileté ISO M20
16	Vis de terre
17	Carte de positionnement (uniquement pour positionnement)

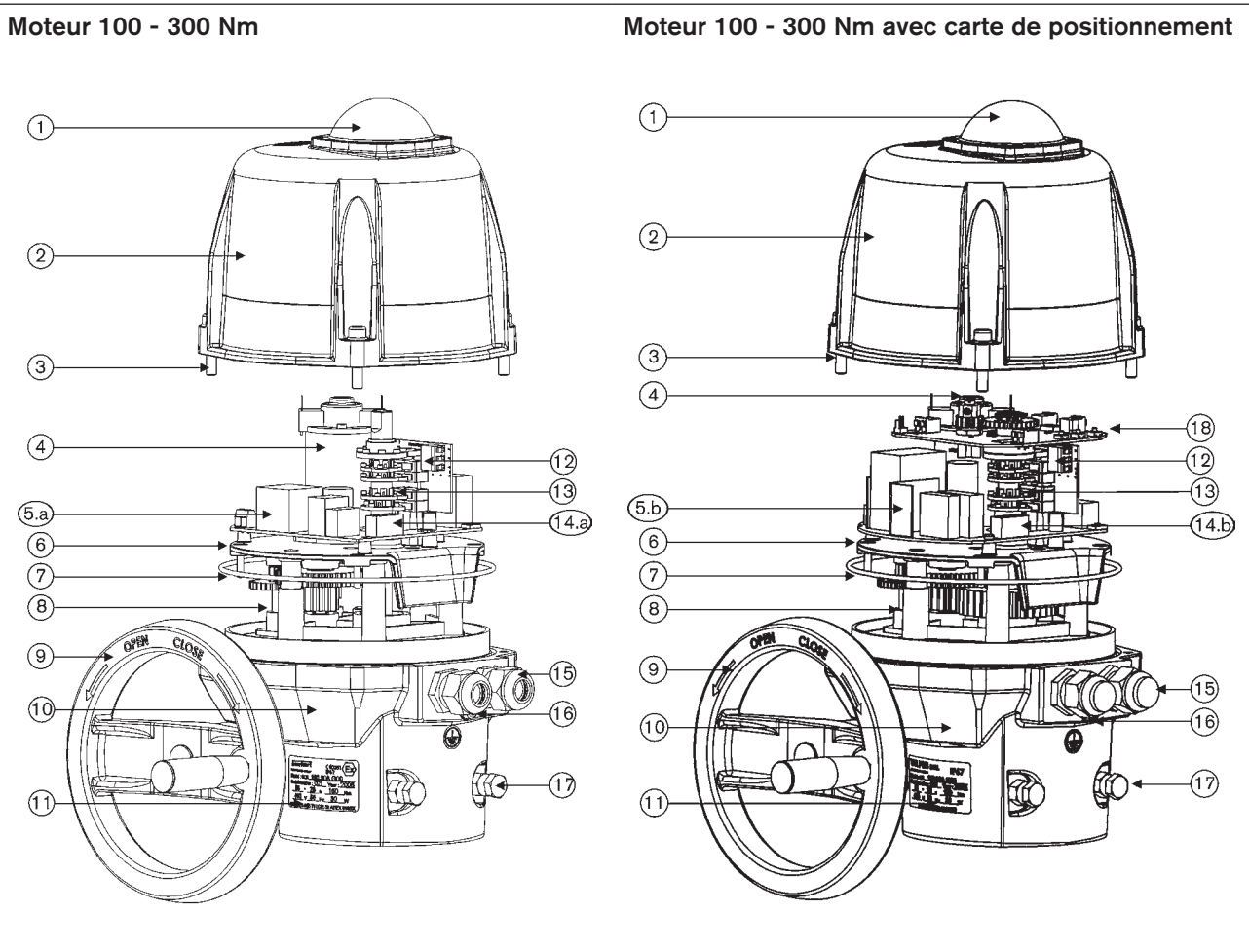


Figure 2 : Vue éclatée du moteur 100 – 300 Nm

N°	Désignation
1	Indicateur de position
2	Capot
3	Vis en acier inoxydable
4	Moteur
5.a*	Commande et alimentation en courant, carte
5.b*	Carte d'alimentation en courant
6	Plaque d'engrenage
7	Joint torique
8	Engrenage
9	Volant

N°	Désignation
10	Carter
11	Plaque signalétique
12	Contacts de recopie + fin de course
13	Cames
14.a*	Commande alimentation en tension
14.b*	Bornier pour alimentation en tension
15	Raccord fileté ISO M20
16	Vis de terre
17	Butées mécaniques
18	Carte de positionnement (uniquement pour positionnement)

MAN 1000105907 ML Version: F Status: RL (released | freigegeben) printed: 22.05.2018

Moteur 600 - 1000 Nm

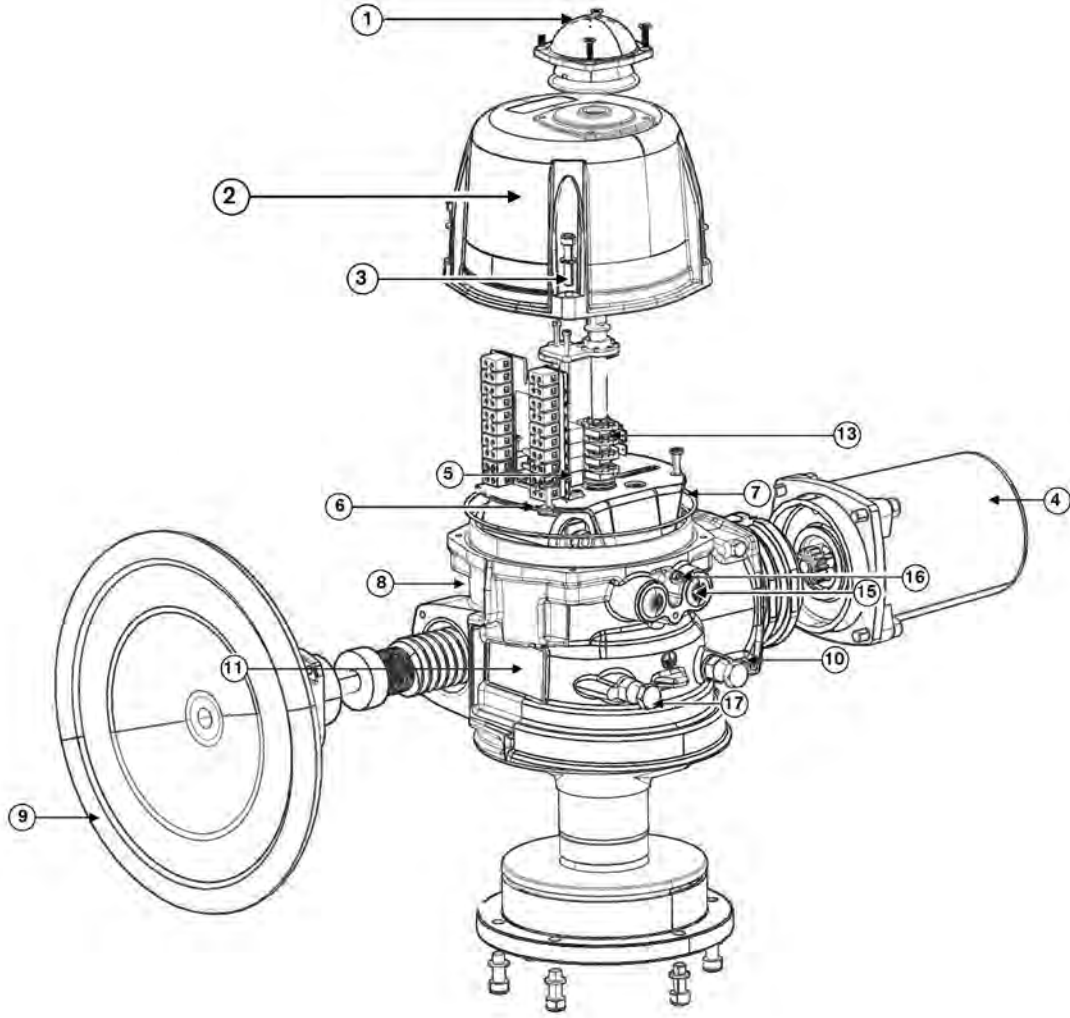


Figure 3 : Vue éclatée du moteur 600 - 1000 Nm

N°	Désignation
1	Indicateur de position
2	Capot
3	Vis en acier inoxydable
4	Moteur
5	Commande et alimentation en courant, carte
6	Plaque d'engrenage
7	Joint torique
8	Engrenage

N°	Désignation
9	Volant
10	Carter
11	Place pour plaque signalétique
13	Cames
15	Raccord fileté ISO M20x1,5
16	Vis de terre
17	Butées mécaniques

## 5.4. Options

- Actionneur électrique trois positions (180°)
- Angle de rotation 180° ou 270°
- Actionneur électrique avec potentiomètre de recopie:
  - Potentiomètre avec valeurs de résistance 100  $\Omega$ , 1 K $\Omega$ , 5 K $\Omega$  ou 10 K $\Omega$
  - Carte de positionnement signal : 0 – 10 V, 0 – 20 mA, 4 – 20 mA
- Actionneur électrique avec variante à courant de secours (voir chapitre « [9. Option: Actionneur électrique avec variante à courant de secours](#) »)
- 2 contacts de fin de course supplémentaires

## 6. CARACTÉRISTIQUES TECHNIQUES

### 6.1. Conformité

L'actionneur électrique du type 3005 est conforme aux directives CE en accord avec la déclaration de conformité.

### 6.2. Normes

Les normes utilisées, avec lesquelles la conformité avec les directives CE sont prouvées, figurent dans l'attestation CE de type et/ou la déclaration de conformité CE.

### 6.3. Conditions d'utilisation

Température ambiante :           -20 °C ... +70 °C  
  -10 °C ... + 40 °C Bloc de sécurité

Type de protection :                IP67 selon EN 60529 avec presse-étoupe ISO 20 ou capot de protection

#### REMARQUE !

- Évitez les sources de chaleur susceptibles d'entraîner un dépassement de la plage de température admissible.

### 6.4. Identification

L'actionneur électrique est pourvu d'une plaque signalétique permettant une identification claire et reprenant les caractéristiques techniques les plus importantes.



Ne retirez pas la plaque signalétique de l'actionneur électrique!

Elle est d'une importance primordiale pour l'identification lors de l'installation et de la maintenance.

Sans plaque signalétique, la garantie légale devient caduque.

### 6.4.1. Informations sur la plaque signalétique

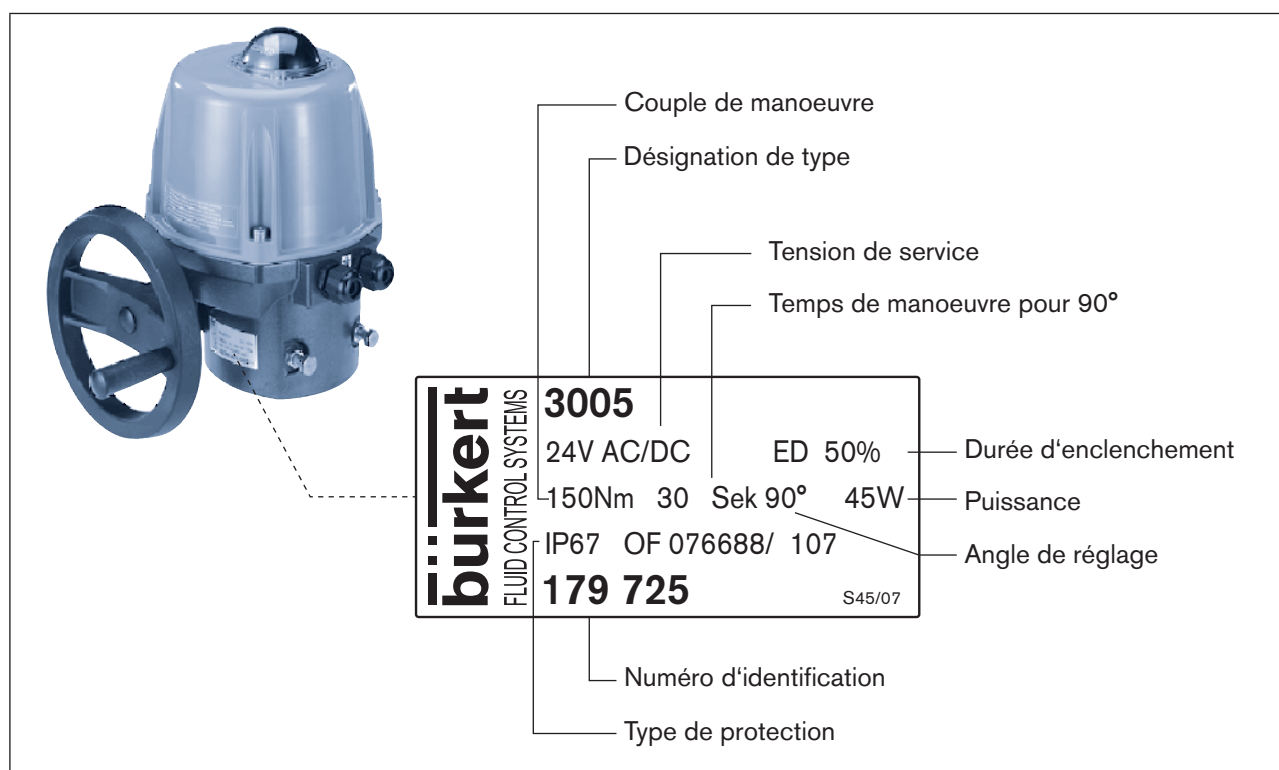


Figure 4 : Exemple d'informations figurant sur la plaque signalétique

## 6.5. Caractéristiques techniques générales

### 6.5.1. Caractéristiques mécaniques

Dimensions :	Voir chapitre « <a href="#">6.5.2. Dimensions</a> »
Poids :	25 - 75 Nm ; 3,1 kg 100 - 300 Nm ; 5,6 kg 600 - 1000 Nm ; 20 kg
Matériau du carter :	Carter en aluminium Capot en polyamide (en option aluminium) Axes et vis en acier inoxydable Engrenage en acier zingué
Angle de réglage :	90° (en option 180°, 270°) ± 5°
Facteur de marche :	50 % pour le couple maximal (en option 80 %)
Commande manuelle de secours :	avec clé plate sur les surfaces de l'axe (jusqu'à 75 Nm) ; par volant (à partir de 100 Nm)
Modes de fonctionnement :	Mode ouverture/fermeture ou mode trois points modulants (voir figure « <a href="#">Figure 17</a> » et « <a href="#">Figure 18</a> »)

### 6.5.2. Dimensions

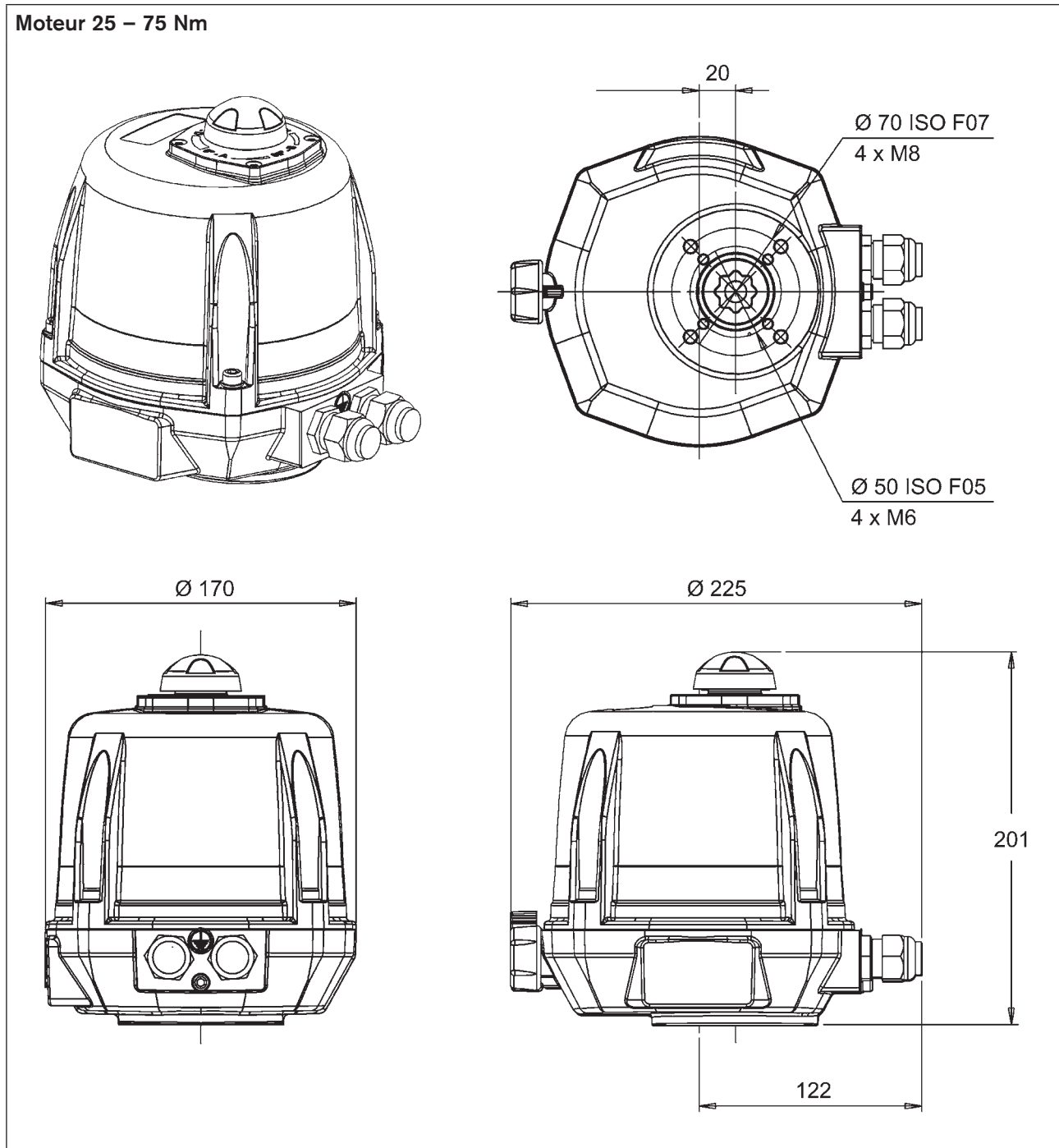
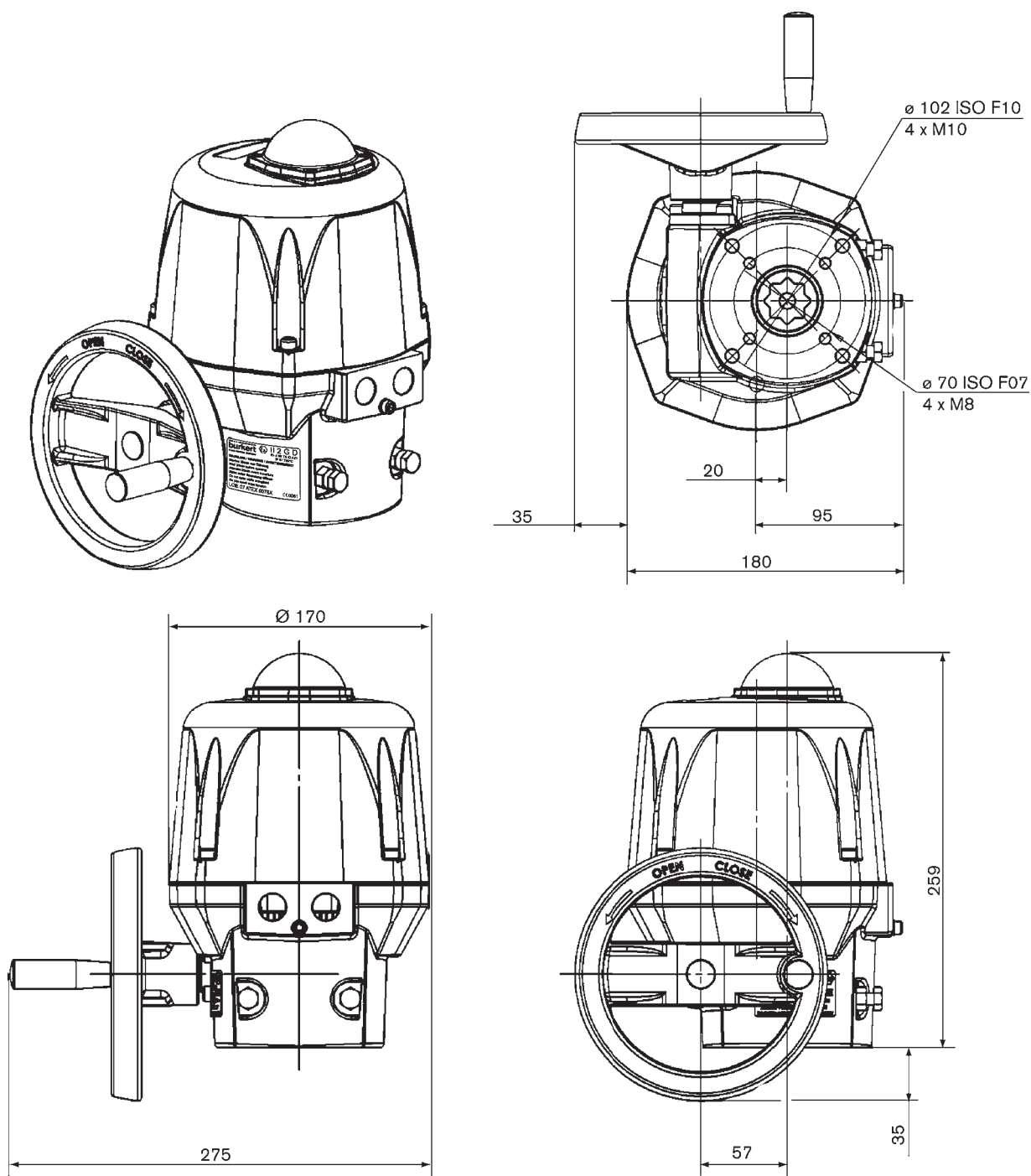


Figure 5 : Dimensions type 3005 avec couple 25 – 75 Nm



Moteur 100 – 300 Nm



MAN 1000105907 ML Version: F Status: RL (released | freigegeben) printed: 22.05.2018

Figure 6 : Dimensions type 3005 avec couple 100 – 300 Nm

Moteur 600 - 1000 Nm

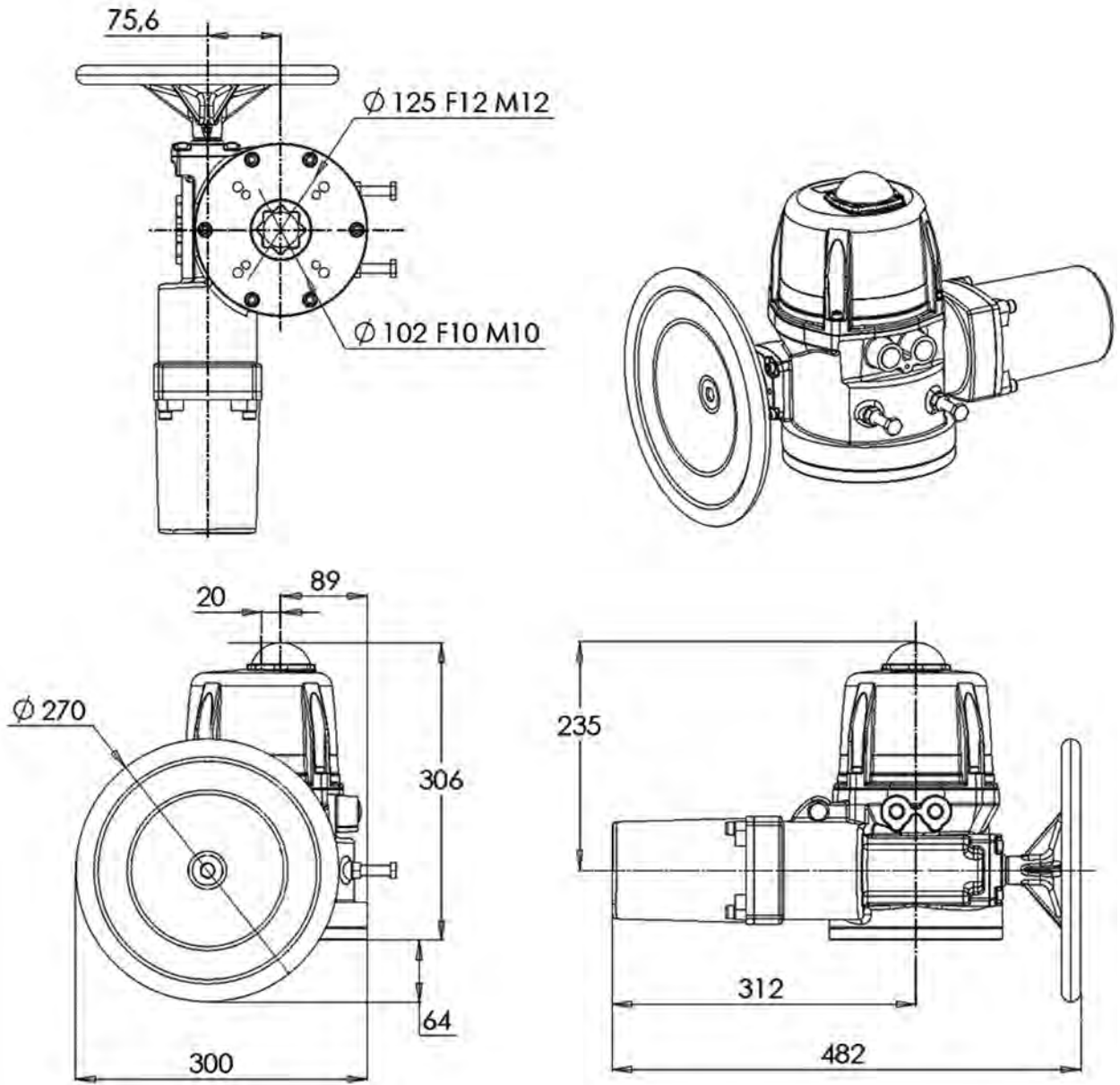


Figure 7 : Dimensions type 3005 avec couple 600 - 1000 Nm

### 6.5.3. Caractéristiques électriques

Raccordements : 2 raccords filetés ISO 20

Contacts de fin de course : 2 contacts de fin de course pour le moteur  
2 contacts de fin de course sans potentiel (pour signal de recopie)

Puissance : maxi 250 V AC / 5 A

Caractéristiques électriques pour la version standard sans signal analogique et la version de positionnement avec signal d'entrée analogique 4 - 20mA, 0 - 10mA ou 0 - 10V

Couple de manœuvre [Nm]	Temps de manœuvre 0-90° [s]	Puissance absorbée [W]	Tension / Fréquence [V / Hz]
25	7	45	100-240 / 50/60 (100-350 DC)
			15-30 AC (12-48 DC <sup>1)</sup> )
45	15	45	100-240 / 50/60 (100-350 DC)
			15-30 AC (12-48 DC <sup>1)</sup> )
75	20	45	100-240 / 50/60 (100-350 DC)
			15-30 AC (12-48 DC <sup>1)</sup> )
100	15	45	100-240 / 50/60 (100-350 DC)
			15-30 AC (12-48 DC <sup>1)</sup> )
150	30	45	100-240 / 50/60 (100-350 DC)
			15-30 AC (12-48 DC <sup>1)</sup> )
300	60	45	100-240 / 50/60 (100-350 DC)
			15-30 AC (12-48 DC <sup>1)</sup> )
600	38	250	100-240 / 50/60 (100-350 DC)
			15-30 AC (12-48 DC <sup>1)</sup> )
1000	38	250	100-240 / 50/60 (100-350 DC)
			15-30 AC (12-48 DC <sup>1)</sup> )



Nous recommandons de dimensionner l'actionneur électrique à 1,5 fois le couple maximal de la vanne (avec la version de positionnement, dimensionner à 2 fois le couple maximal).

<sup>1)</sup> La tension de service ne doit pas être inférieure à 11,5 V

## 7. MONTAGE

### 7.1. Consignes de sécurité



#### **DANGER !**

##### **Danger présenté par la tension électrique !**

Il y a risque important de blessures lors d'interventions sur l'appareil.

- Coupez toujours l'alimentation et empêchez toute remise sous tension avant de retirer le capot, de séparer l'engrenage ou d'utiliser le levier.
- Raccordez toujours plusieurs actionneurs électriques avec séparation des phases par un interrupteur !
- Protégez les actionneurs électriques par un fusible approprié!
- Veuillez respecter les réglementations en vigueur pour les appareils électriques en matière de prévention des accidents ainsi qu'en matière de sécurité !



#### **AVERTISSEMENT !**

##### **Danger dû à un montage non conforme !**

Un montage non conforme peut entraîner des blessures et endommager l'appareil et son environnement.

- Le montage doit être effectué uniquement par un personnel qualifié et habilité disposant de l'outillage approprié !
- Respectez les indications du chapitre « 6. Caractéristiques techniques ».

##### **Danger dû à l'actionnement involontaire de l'appareil !**

La mise en marche involontaire de l'appareil lors du montage peut entraîner des blessures et des dommages matériels.

- Evitez l'actionnement involontaire de l'appareil par des mesures appropriées.

### 7.2. Montage de l'actionneur électrique



L'actionneur électrique est fourni avec le préréglage <fermé>.

Le montage de l'actionneur électrique sur une vanne à boisseau sphérique ou une vanne papillon peut être effectué avec les variantes de fixation suivantes :

- ISO F05 (4 x M6 pour un Ø de bride de 50 mm)
- ISO F07 (4 x M8 pour un Ø de bride de 70 mm)
- ISO F10 (4 x M10 pour un Ø de bride de 102 mm)
- ISO F12 (4 x M12 pour un Ø de bride de 125 mm)

#### 7.2.1. Extrémité de l'axe

La taille de l'étoile de l'entraîneur (extrémité inférieure de l'axe) dépend de la taille de l'actionneur électrique. Chaque actionneur électrique est livré avec une douille standard (voir tableau ci-dessous).

Taille d'actionneur électrique [Nm]	Taille de l'entraîneur [mm]
25	17 / 11

Taille d'actionneur électrique [Nm]	Taille de l'entraîneur [mm]
45 / 75	17 / 14
100 / 150 / 300	22 / 17
600 / 1000	36



Des douilles de réduction à commander séparément permettent d'adapter le montage de l'actionneur sur tout type de vanne à boisseau sphériques ou vannes papillon.

Vous trouverez les références et un aperçu des douilles de réduction disponibles au chapitre « 13. Accessoires ».

Vous obtiendrez d'autres informations auprès de votre filiale de distribution Bürkert.



Remarque importante pour un fonctionnement durable :

Ne montez pas l'actionneur électrique la tête en bas !

Le fluide pourrait parvenir dans l'actionneur électrique à partir de la vanne. La hauteur nécessaire pour le montage de l'actionneur électrique au-dessus de la vanne à boisseau sphérique / vanne papillon peut être consultée dans le chapitre Dimensions. Prévoyez un écart supplémentaire de 100 mm.

#### Procédure de montage :

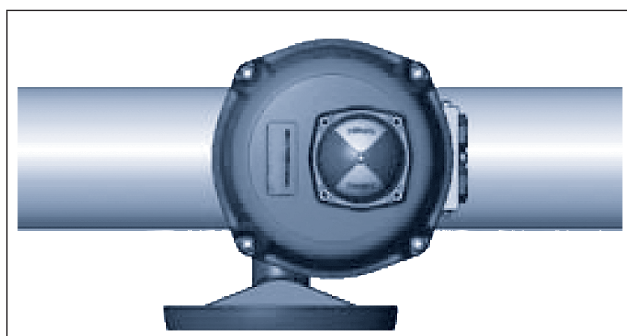


Figure 8 : Installation standard

→ Assurez-vous que la vanne à boisseau sphérique / vanne papillon est en position fermée.

→ Mettez avec précaution l'actionneur électrique sur l'axe de la vanne à boisseau sphérique / vanne papillon.



Lors de la mise en place de l'actionneur électrique, veillez à ne pas le faire basculer et à faire coïncider les filetages de fixation de l'actionneur électrique avec les alésages de fixation de la vanne à boisseau sphérique / vanne papillon.

→ Vissez les vis de fixation dans les filetages de l'actionneur électrique et serrez-les (max. 3 Nm).

#### 7.2.2. Réglage de butées mécaniques (actionneur électrique 100 – 1000 Nm)



Les butées mécaniques sont réglées en usine et collées au moyen de Loctite. Il est cependant possible de les déplacer en tournant les vis M8, pos. 17 (voir « Figure 2 » et « Figure 3 »). Ensuite, les écrous doivent être recollés.

→ Desserrez les écrous M8 des butées mécaniques 17 (voir « Figure 2 » et « Figure 3 ») et réglez la position finale des butées mécaniques.

→ Recollez les écrous au moyen de Loctite (par ex. Loctite 577).

### 7.2.3. Réglage des contacts de recopie

**!** Les contacts de fin de course sont réglés en usine sur 0 – 90°.

#### Démonter l'indicateur de position et le capot

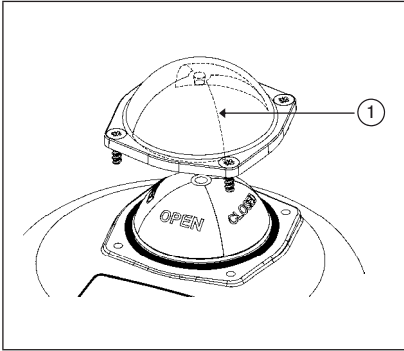


Figure 9 : Démontage du hublot plastique

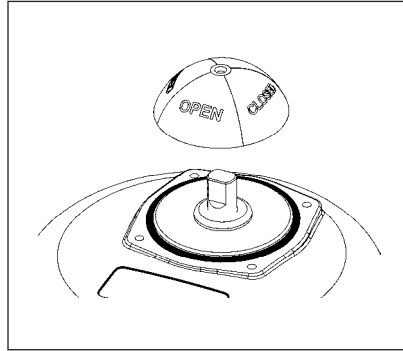


Figure 10 : Démontage de l'indicateur de position

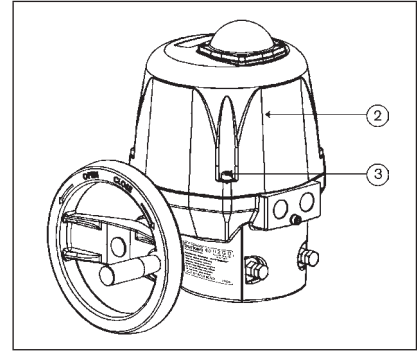


Figure 11 : Démontage du capot

#### Procédure à suivre :

- Retirez le hublot de plastique de l'indicateur de position 1, y compris la bague d'étanchéité, en desserrant les quatre vis de fixation (voir « Figure 9 »).
- Retirez l'indicateur de position (voir « Figure 10 »).
- Retirez le capot 2 en desserrant les quatre vis de fixation 3 (voir « Figure 11 »).

#### Réglage des cames pour les contacts de recopie

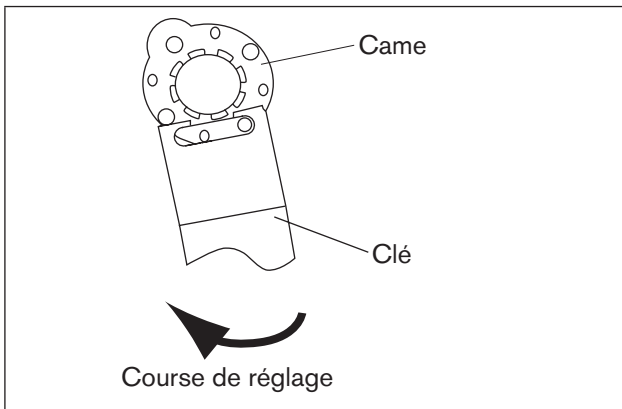


Figure 12 : Réglage des contacts de recopie dans le sens des aiguilles d'une montre

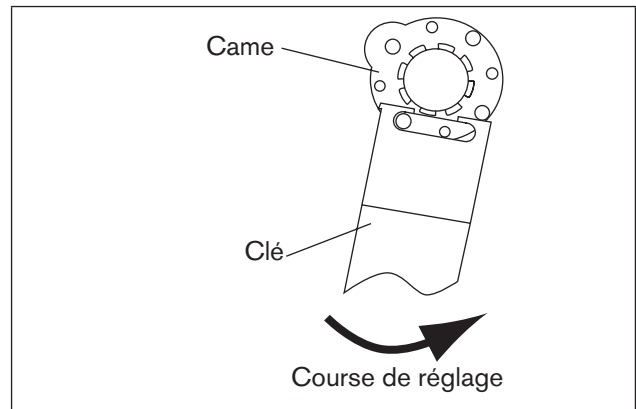


Figure 13 : Réglage des contacts de recopie dans le sens contraire des aiguilles d'une montre

#### Procédure à suivre :

- Réglez les deux cames supérieures à l'aide d'une clé appropriée (voir « Figure 12 » et « Figure 13 »).
- A la fin du réglage, remontez le capot 3, l'indicateur de position, le joint et le hublot de plastique 1.



L'actionneur électrique est fourni départ usine avec les réglages suivants :

- Le contact de fin de course FERME (FCF) est actionné par la came (position fermée).
- Le contact de fin de course OUVERT (FCO) est réglé sur un angle de rotation de 90°.

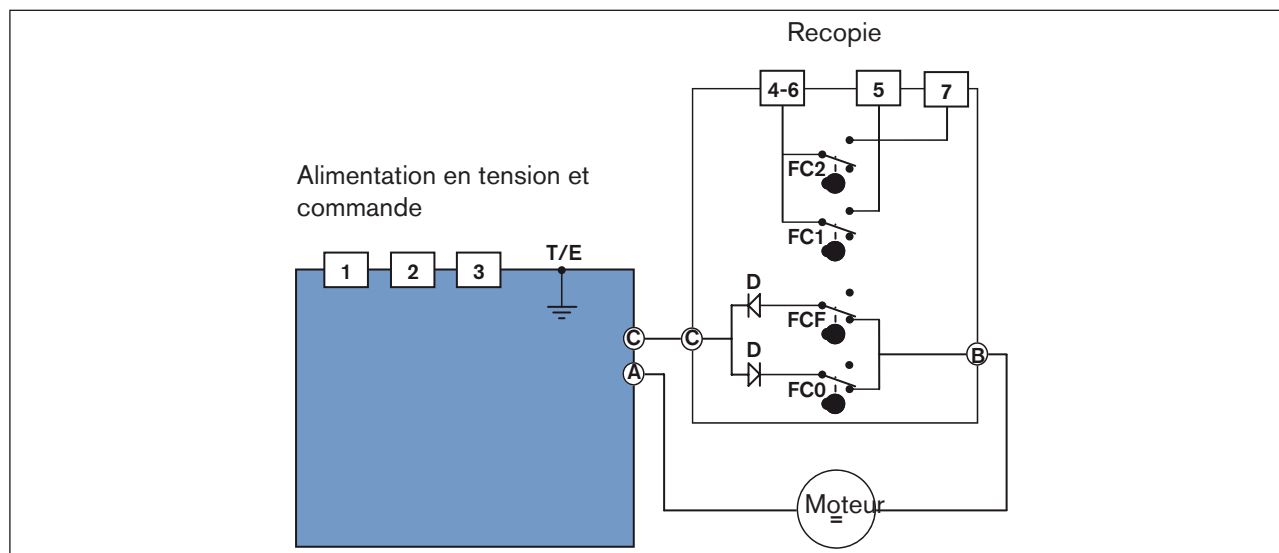


Figure 14 : Câblage interne de l'actionneur électrique

## 8. INSTALLATION

### 8.1. Consignes de sécurité



#### AVERTISSEMENT !

##### Danger dû à un montage non conforme !

Un montage non conforme peut entraîner des blessures et endommager l'appareil et son environnement.

- Ces travaux doivent être effectués uniquement par des techniciens qualifiés et habilités disposant de l'outillage approprié !

##### Danger dû à l'actionnement involontaire de l'installation !

La mise en marche involontaire de l'installation lors du montage peut entraîner des blessures et des dommages matériels.

- Evitez l'actionnement involontaire de l'installation par des mesures appropriées.

### 8.2. Installation électrique



#### DANGER !

##### Danger présenté par la tension électrique !

Il y a risque important de blessures lors d'interventions sur l'appareil.

- Avant d'effectuer des travaux, coupez toujours l'alimentation et empêchez toute remise sous tension par inadvertance !
- Veuillez respecter les réglementations en vigueur pour les appareils électriques en matière de prévention des accidents ainsi qu'en matière de sécurité !
- Fixez le câble de mise à la terre avec la vis de terre !



Vérifiez à l'aide de la plaque signalétique de l'actionneur électrique si la tension indiquée correspond à celle du réseau.



Pour l'installation électrique, des câbles d'un diamètre de 7 à 12 mm sont autorisés. Les câbles utilisés doivent avoir une température limite supérieure d'au moins 80 °C. Utilisez uniquement des presse-étoupes et câbles homologués ATEX.

#### Travaux préparatoires :

→ Retirez les vis en acier inoxydable 3 du capot 2 et enlevez ce dernier avec précaution (voir « [Figure 1](#) », « [Figure 2](#) » et « [Figure 3](#) »).

#### 8.2.1. Raccordement à la masse extérieur ou intérieur

Le câble de mise à la terre pour l'alimentation en tension et la commande doit être fixé sur le carter extérieur à l'aide de la vis de terre 16 (M5) (voir « [Figure 1](#) », « [Figure 2](#) » et « [Figure 3](#) »).

#### Procédure à suivre :

→ Desserrez la vis de terre 16 et fixez l'œillet du câble de mise à la terre sur cette vis (voir « [Figure 1](#) », « [Figure 2](#) » et « [Figure 3](#) »).

→ En option, il est également possible de raccorder la vis de terre à la pos. A de la carte d'alimentation en courant.



→ Pour ce faire, desserrez la vis de terre et fixez l'œillet du câble de mise à la terre sur cette vis (voir « Figure 15 » et « Figure 16 »).

### 8.2.2. 100-240 V AC (100-350 V DC) ou 15-30 V AC (12-48 V DC) Version standard



La tension d'alimentation de l'actionneur électrique est de 15-30 V AC (12-48 V DC) ou 100-240 V AC (100-350 V DC).

Respectez absolument les indications figurant sur la plaque signalétique !

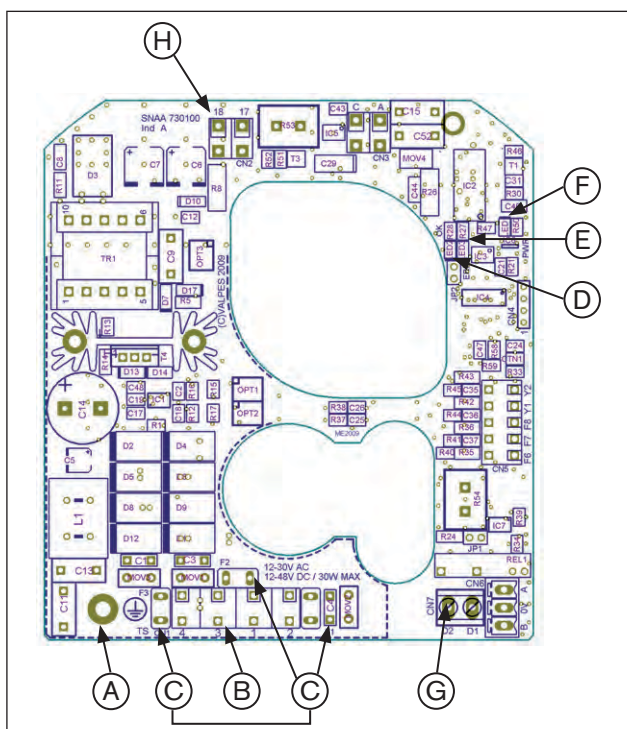


Figure 15 : Alimentation en courant: carte 15-30 V 50/60 Hz (12-48 V DC)

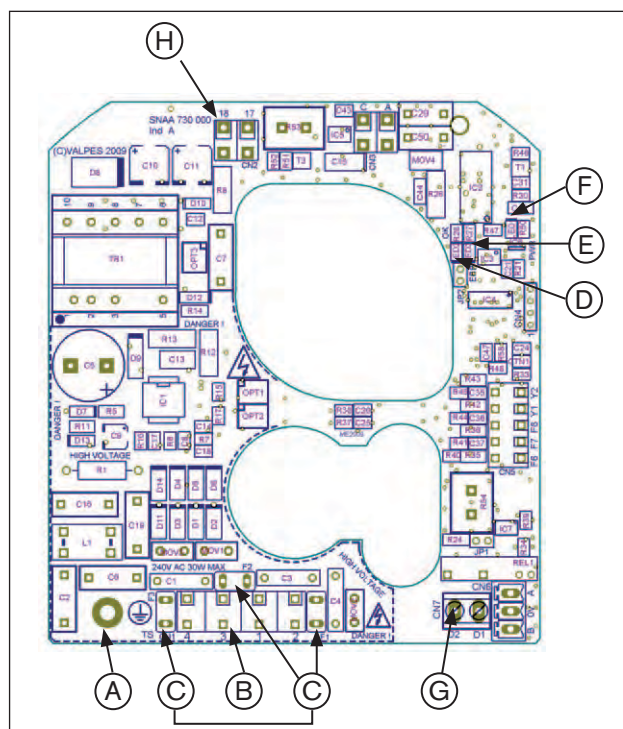


Figure 16 : Alimentation en courant: carte 100-240 V 50/60 Hz (100-350 V DC)

N°	Désignation
A	Vis de terre
B	Raccordements pour la commande et l'alimentation en courant
C	Fusible
D	LED 1 : Microprocesseur OK

N°	Désignation
E	LED 2 : Message d'erreur
F	LED 3 : Témoin d'alimentation
G	Raccordement pour le signalement de recopie (24 V DC - 3 A max)
H	Raccordement 24 V DC

L'actionneur électrique peut être raccordé et utilisé avec deux modes différents :

1. Mode trois points modulant
2. Mode ouverture/fermeture

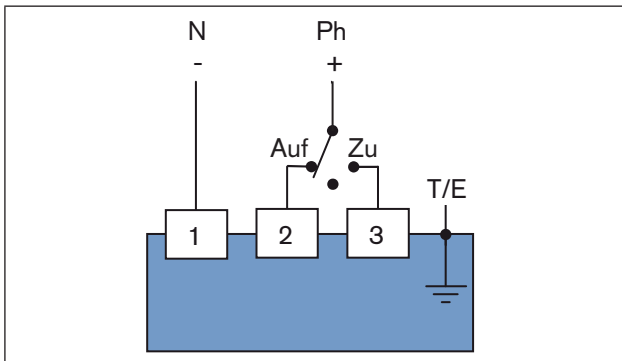


Figure 17 : Mode trois points modulants

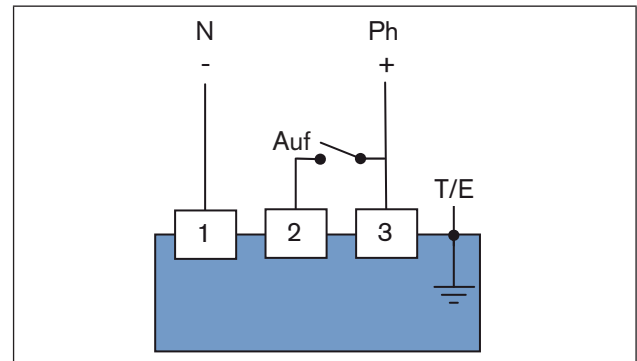


Figure 18 : Mode ouverture/fermeture / La variante à courant de secours

**!** Lorsque la tension est appliquée simultanément aux bornes 2 et 3, la borne 2 est prioritaire et l'actionneur se déplace sur la position OUVERT.

**Procédure à suivre :**

- Desserrez le presse-étoupe 15 gauche (voir « Figure 1 » et « Figure 2 ») et faites traverser le câble à raccorder.
- Raccordez le câble selon le type de commande souhaité (voir « Figure 17 » et « Figure 18 ») au bornier pos. B de la carte d'alimentation en courant (voir « Figure 15 » et « Figure 16 »).

**Mode de fonctionnement pour le mode ouverture/fermeture (voir « Figure 18 ») :**

- Contact ouvert = l'actionneur électrique se ferme
- Contact fermé = l'actionneur électrique s'ouvre

**Raccordez les contacts de recopie**

**!** Les contacts de recopie conviennent à une tension maximale de 250 V AC/DC – 5 A.

L'actionneur électrique est doté de deux contacts de recopie supplémentaires réglés en usine en position ouverte. Ils peuvent être utilisés par le client.

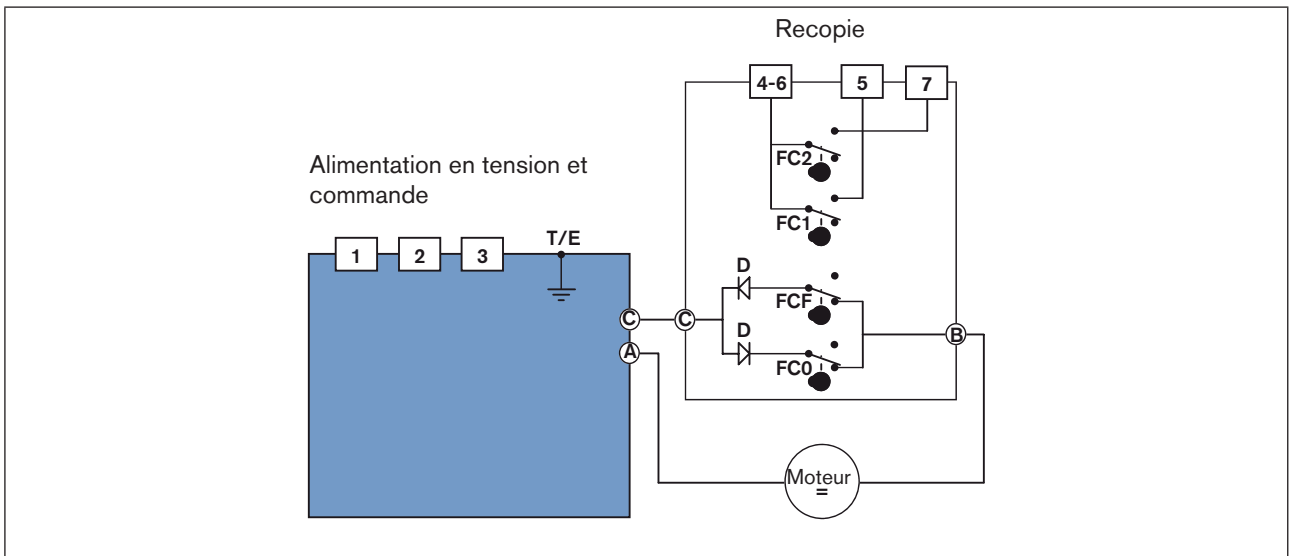


Figure 19 : Câblage interne de l'actionneur électrique

Les contacts de fin de course sont actionnés par deux cames n° 13 (voir « Figure 1 » et « Figure 2 »).

- La came blanche sert à détecter l'ouverture (FC1).
- La came noire sert à détecter la fermeture (FC2).

**Procédure à suivre :**

→ Raccordez le câble au bornier 12 (voir « Figure 1 » et « Figure 2 ») selon le schéma (voir « Figure 19 »).

**8.2.3. Version avec entrée de signal analogique**

**!** La tension d'alimentation de l'actionneur électrique est de 15-30 V AC (12-48 V DC) ou 100-240 V AC (100-350 V DC).

Respectez absolument les indications figurant sur la plaque signalétique !

MAN 1000105907 ML Version: F Status: RL (released | freigegeben) printed: 22.05.2018

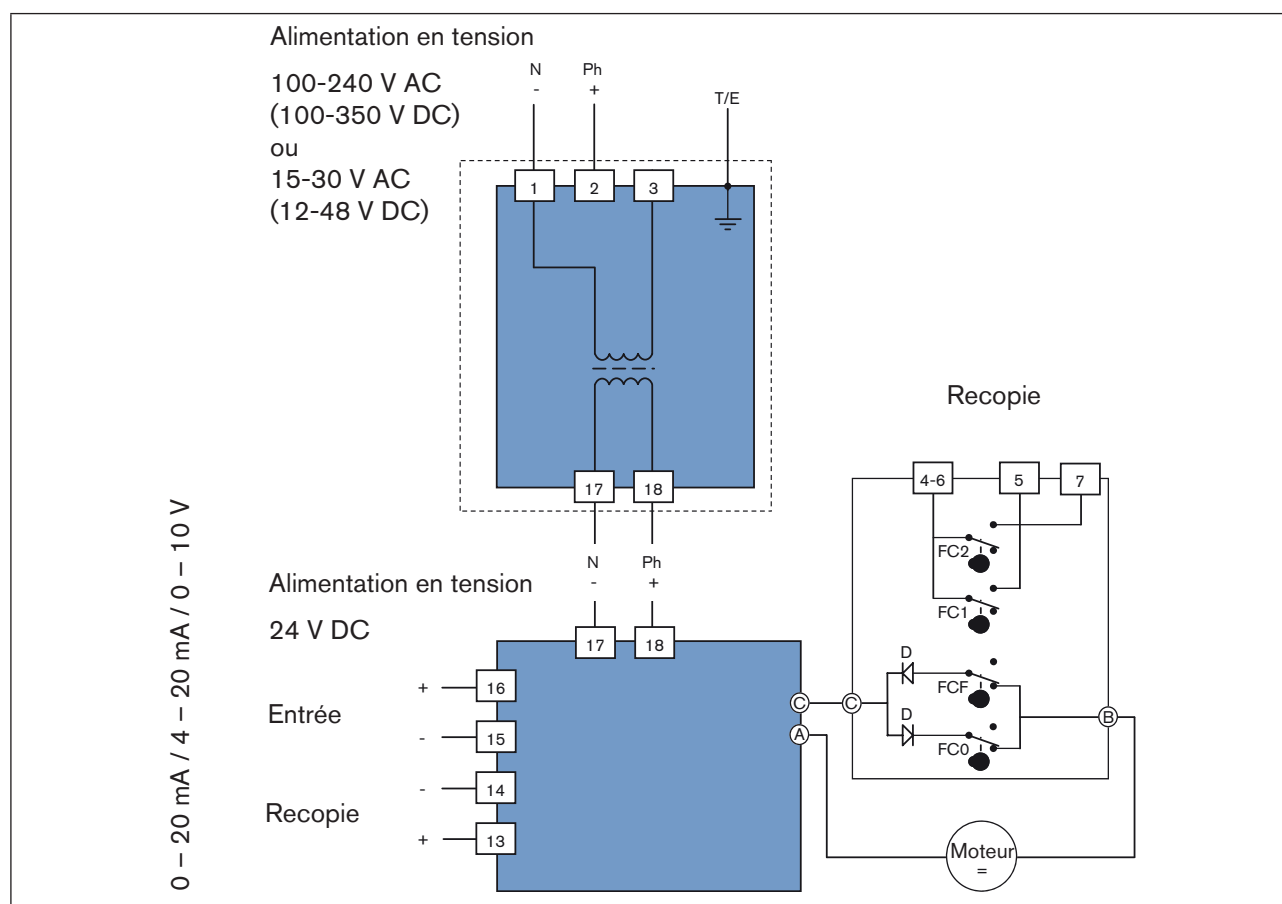


Figure 20 : Schéma électrique

**Procédure à suivre :**

- Desserrez le presse-étoupe 15 gauche et faites traverser le câble à raccorder (voir « Figure 1 », page 90 et « Figure 2 », page 91).
- Raccordez le câble conformément au schéma électrique (voir « Figure 20 ») au bornier pos. 14 de la carte d'alimentation en tension (voir « Figure 1 » et « Figure 2 »).

### Raccorder les contacts de recopie



Les contacts de recopie conviennent à une tension maximale de 250 V AC/DC – 5 A.

L'actionneur électrique est doté de deux contacts de recopie réglés en usine en position ouverte. Ils peuvent être utilisés pour la recopie de l'actionneur électrique.

Les contacts de fin de course sont actionnés par deux cames n° 13 (voir « Figure 1 », page 90 et « Figure 2 », page 91).

- La came blanche sert à détecter l'ouverture (FC1).
- La came noire sert à détecter la fermeture (FC2).

#### Procédure à suivre :

→ Raccordez le câble au bornier 12 (voir « Figure 1 », page 90 et « Figure 2 », page 91) selon le schéma (voir « Figure 20 »).

### 8.2.4. Schéma électrique version 400 V courant triphasé

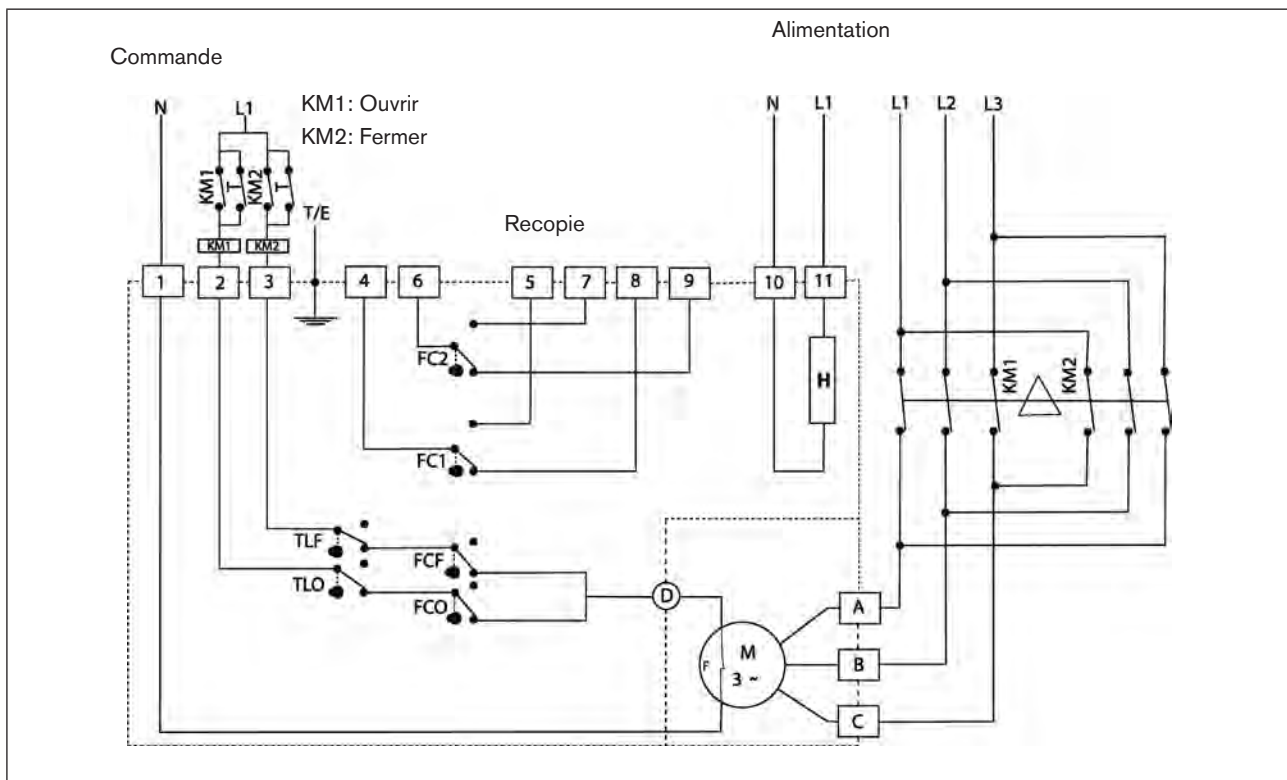


Figure 21 : Schéma électrique version 400 V courant triphasé

N°	Désignation
FCO	Fin de course ouverture
FCF	Fin de course fermeture
FC1	Fin de course auxiliaire 1
FC2	Fin de course auxiliaire 2
TLO	Contact couple: ouverture

N°	Désignation
TLF	Contact couple: fermeture
M	Moteur
F	Contact thermique moteur
H	Résistance anti-condensation

## 8.3. Carte de positionnement

Pour l'actionneur électrique avec carte de positionnement

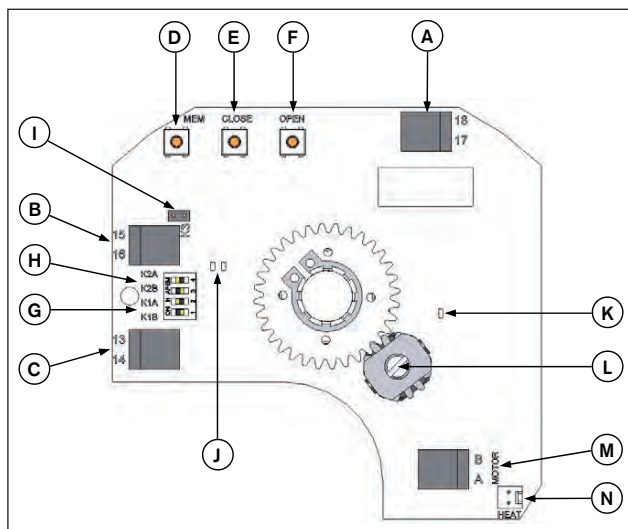


Figure 22 : Carte de positionnement (24 V DC)

N°	Désignation
A	Alimentation en tension 24 V DC
B	Bornes de raccordement émetteur de commande
C	Bornes de raccordement recopie
D	Bouton de réglage <MEM>
E	Bouton de réglage <CLOSE>
F	Bouton de réglage <OPEN>
G	Cavalier K1

N°	Désignation
H	Cavalier K2
I	Cavalier K3
J	LED verte et rouge
K	LED jaune : Témoin d'alimentation
L	Potentiomètre
M	Raccordement moteur
N	Raccordement résistance anti-condensation

### 8.3.1. Position des cavaliers

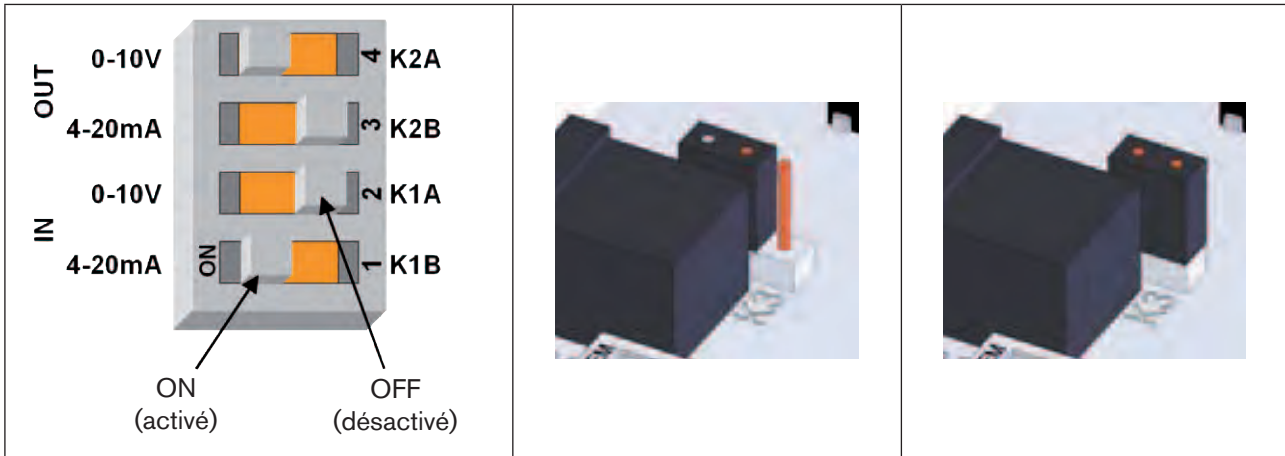


Figure 23 : Cavaliers K1 / K2

Figure 24 : Cavalier K3 OFF


Figure 25 : Cavalier K3 ON


Emetteur de commande	Recopie	Cavalier K1		Cavalier K2		Cavalier K3
		A	B	A	B	
0 - 10 V	0 - 10 V	ON	OFF	ON	OFF	OFF
0 - 10 V	0 - 20 mA	ON	OFF	OFF	ON	OFF
0 - 10 V	4 - 20 mA	ON	OFF	OFF	ON	ON
4 - 20 mA	0 - 10 V	OFF	ON	ON	OFF	OFF
4 - 20 mA	0 - 20 mA	OFF	ON	OFF	ON	OFF
4 - 20 mA	4 - 20 mA	OFF	ON	OFF	ON	ON
4 - 20 mA*	0 - 10 V	ON	OFF	ON	OFF	OFF
4 - 20 mA*	0 - 20 mA	ON	OFF	OFF	ON	OFF
4 - 20 mA*	4 - 20 mA	ON	OFF	OFF	ON	ON

\* Version par le bloc de sécurité


## 8.3.2. Étapes de paramétrage

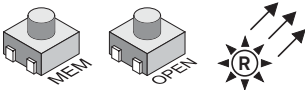
### Déterminer le sens de rotation de la vanne d'arrêt

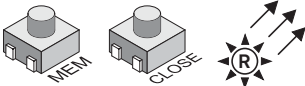
Sens de rotation normal (préréglé)	
	<p>→ Appuyer sur le bouton-poussoir &lt;OPEN&gt; et activer la carte (maintenir le bouton-poussoir enfoncé).</p> <p>La LED VERTE s'allume.</p> <p>→ Relâcher le bouton-poussoir &lt;OPEN&gt; et mettre la carte hors tension.</p>

Sens de rotation inverse	
	<p>→ Appuyer sur le bouton-poussoir &lt;CLOSE&gt; et activer la carte (maintenir le bouton-poussoir enfoncé).</p> <p>La LED ROUGE s'allume.</p> <p>→ Relâcher le bouton-poussoir &lt;CLOSE&gt; et mettre la carte hors tension.</p>

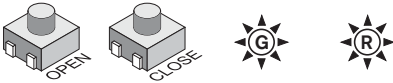

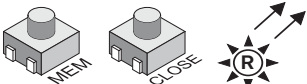

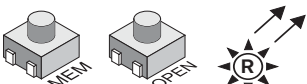
### Déterminez le type de signal de commande

Signal de commande avec une tension de 0 – 10 V	
	<p>→ Appuyer sur le bouton-poussoir &lt;MEM&gt; et activer la carte (maintenir le bouton-poussoir enfoncé).</p> <p>La LED ROUGE s'allume <b>3x</b>.</p> <p>→ Relâcher le bouton-poussoir &lt;MEM&gt; et mettre la carte hors tension.</p>





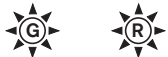
Signal de commande avec un courant de 0 – 20 mA	
	<p>→ Appuyer sur les boutons-poussoirs &lt;MEM&gt; et &lt;OPEN&gt; et activer la carte (maintenir les boutons-poussoirs enfoncés).</p> <p>La LED ROUGE s'allume <b>3x</b>.</p> <p>→ Relâcher les boutons-poussoirs &lt;MEM&gt; et &lt;OPEN&gt; et mettre la carte hors tension.</p>

Signal de commande avec un courant de 4 – 20 mA (préréglé)	
	<p>→ Appuyer sur les boutons-poussoirs &lt;MEM&gt; et &lt;CLOSE&gt; et activer la carte (maintenir les boutons-poussoirs enfoncés).</p> <p>La LED ROUGE s'allume <b>3x</b>.</p> <p>→ Relâcher les boutons-poussoirs &lt;MEM&gt; et &lt;CLOSE&gt; et mettre la carte hors tension.</p>

Mode apprentissage

Déterminer les positions finales	
	<p>→ Appuyer sur les boutons-poussoirs &lt;OPEN&gt; et &lt;CLOSE&gt; et activer la carte (maintenir les boutons-poussoirs enfoncés).</p> <p>Les LED ROUGE et VERTE s'allument.</p> <p>→ Relâcher les boutons-poussoirs &lt;OPEN&gt; et &lt;CLOSE&gt;.</p> <p>Les deux LED s'éteignent.</p> <p>Le mode apprentissage est sélectionné.</p>
	<p>→ Appuyer sur le bouton-poussoir &lt;CLOSE&gt; pour amener la vanne en position fermée.</p> <p>La LED ROUGE s'allume.</p>
	<p>→ Appuyer sur les boutons-poussoirs &lt;MEM&gt; et &lt;CLOSE&gt; pour enregistrer la position fermée.</p> <p>La LED ROUGE s'allume <b>2x</b>.</p>
	<p>→ Appuyer sur le bouton-poussoir &lt;OPEN&gt; pour amener la vanne en position ouverte.</p> <p>La LED VERTE s'allume.</p>
	<p>→ Appuyer sur les boutons-poussoirs &lt;MEM&gt; et &lt;OPEN&gt; pour enregistrer la position ouverte.</p> <p>La LED VERTE s'allume <b>2x</b>.</p>
	<p>Toutes les positions sont maintenant enregistrées.</p> <p>→ Mettre la carte hors tension.</p>

8.3.3. Mode normal

Affichage mode normal	
	<p>→ Activer la carte.</p> <p>La LED VERTE s'allume <b>3x</b> pour indiquer que le démarrage a été correctement effectué.</p>
	<p>En mode normal, la LED VERTE s'allume lorsque l'actionneur électrique ouvre la vanne.</p>
	<p>La LED ROUGE s'allume lorsque l'actionneur électrique ferme la vanne.</p>
	<p>Si aucune des deux LED n'est allumée, l'actionneur électrique n'est pas commandé.</p>
	<p>Les LED ROUGE et VERTE s'allument lorsque le couple de manœuvre est trop élevé et que l'actionneur électrique s'arrête.</p> <p>→ Changer le sens de rotation de l'actionneur électrique ou commuter la tension OUVERT/FERME pour redémarrer l'actionneur électrique !</p>



## 9. OPTION: ACTIONNEUR ÉLECTRIQUE AVEC VARIANTE À COURANT DE SECOURS

### 9.1. Description

La variante à courant de secours est composée d'un bloc de sécurité intégré pour le rappel de secours.

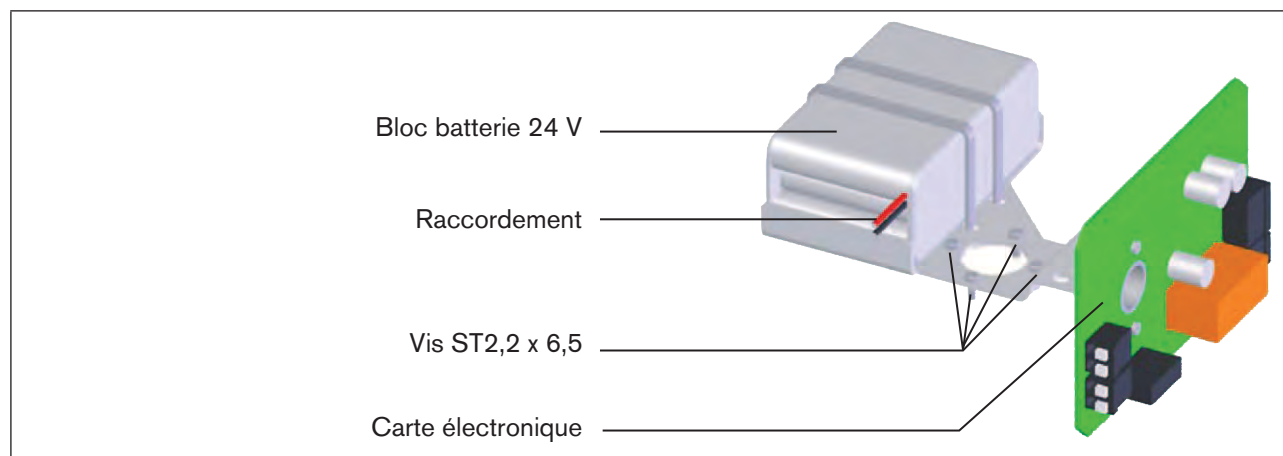


Figure 26 : Bloc de sécurité de la variante à courant de secours ; désignation des pièces

### 9.2. Caractéristiques techniques

Tension :	24 V DC
Courant nominal :	0,8 A
Courant maximal :	2,4 A
Temps de charge initiale :	14 h

## 9.3. Raccordement électrique du bloc de sécurité

### 9.3.1. Schéma électrique

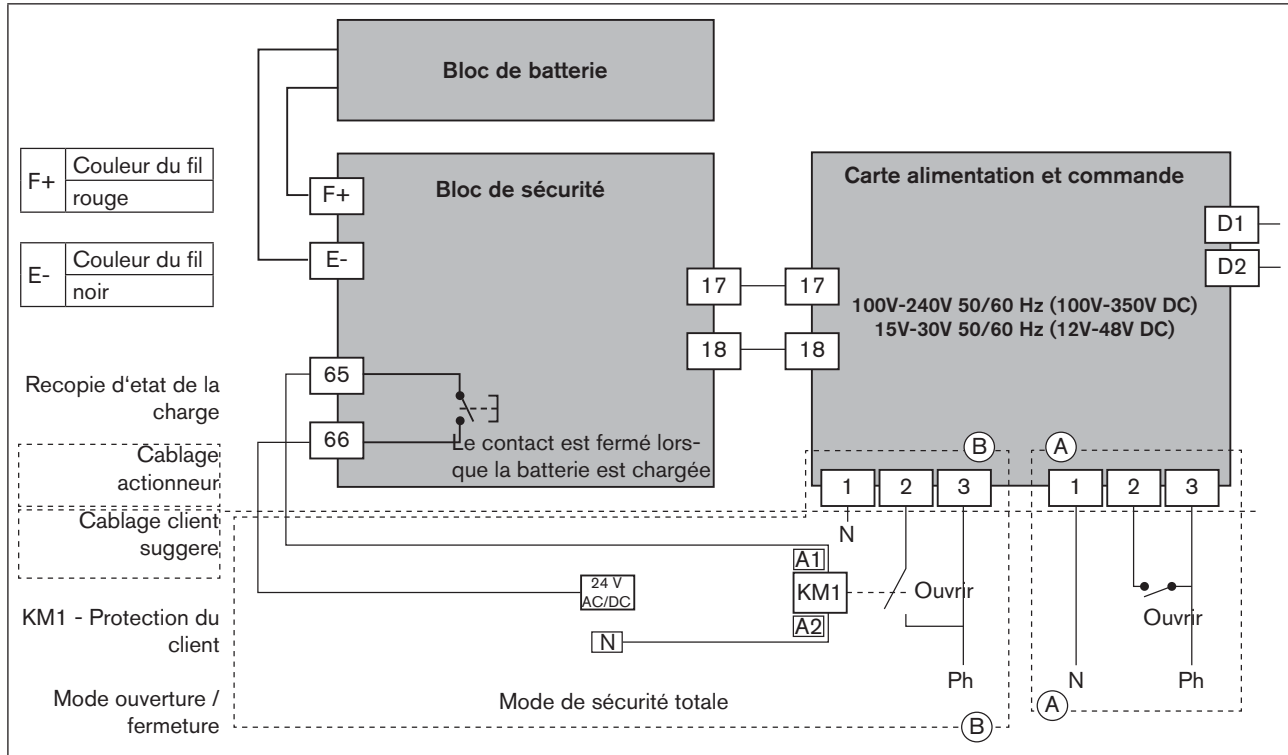


Figure 27 : Schéma électrique du rappel de secours

#### Configuration A ou B

Mode standard A : Si l'actionneur est commandé par une commande programmable, le message de retour de l'état de charge peut être raccordé à celle-ci.

Mode B - sécurité plus élevée (en cas d'utilisation du relais de signalisation, bornes 65 et 66) : L'actionneur n'ouvrira la vanne que si le bloc de sécurité est chargé.

### 9.3.2. Description de la carte électronique

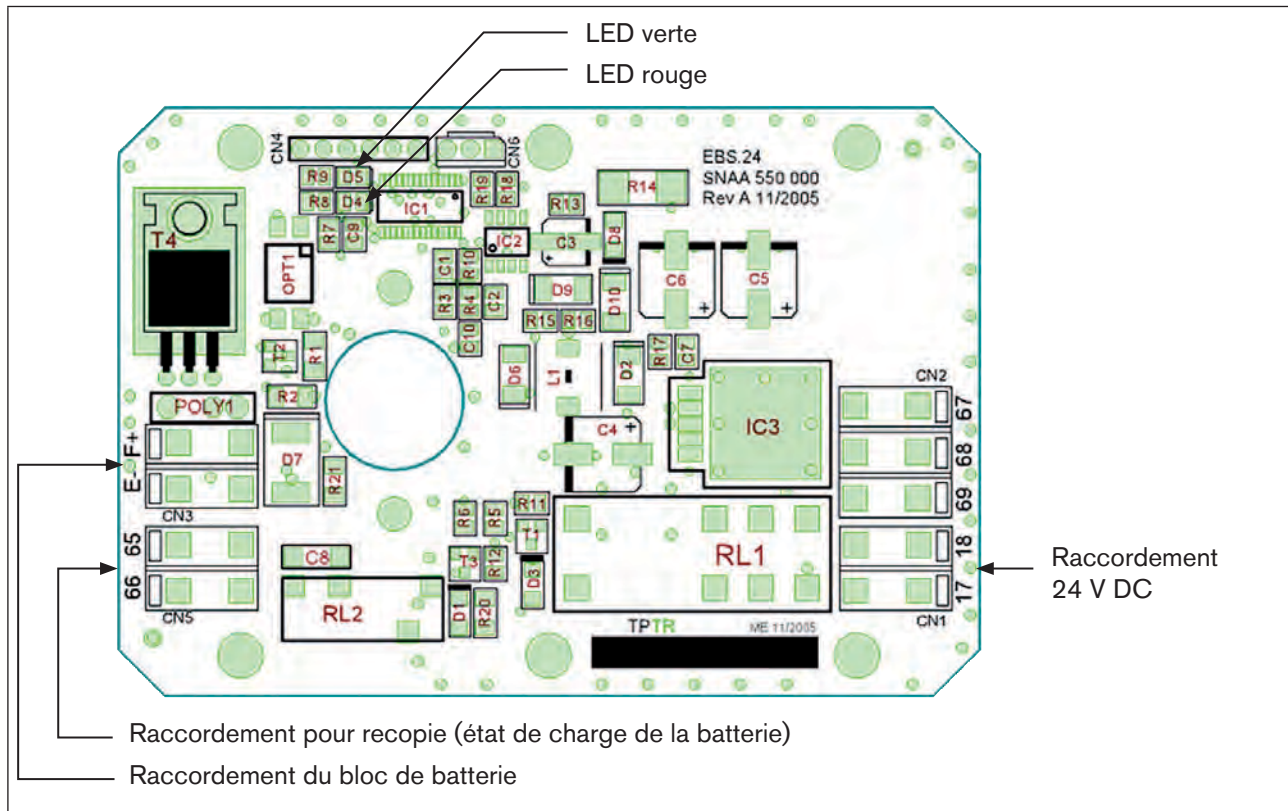


Figure 28 : Représentation : carte électronique

#### Description d'état des LED

LED	Etat	Description
Verte	allumée	Alimentation par le réseau
	clignote	Alimentation par batterie
Rouge	allumée	La batterie est chargée
	clignote	La batterie se charge

## 9.4. Montage du bloc de sécurité dans l'actionneur électrique

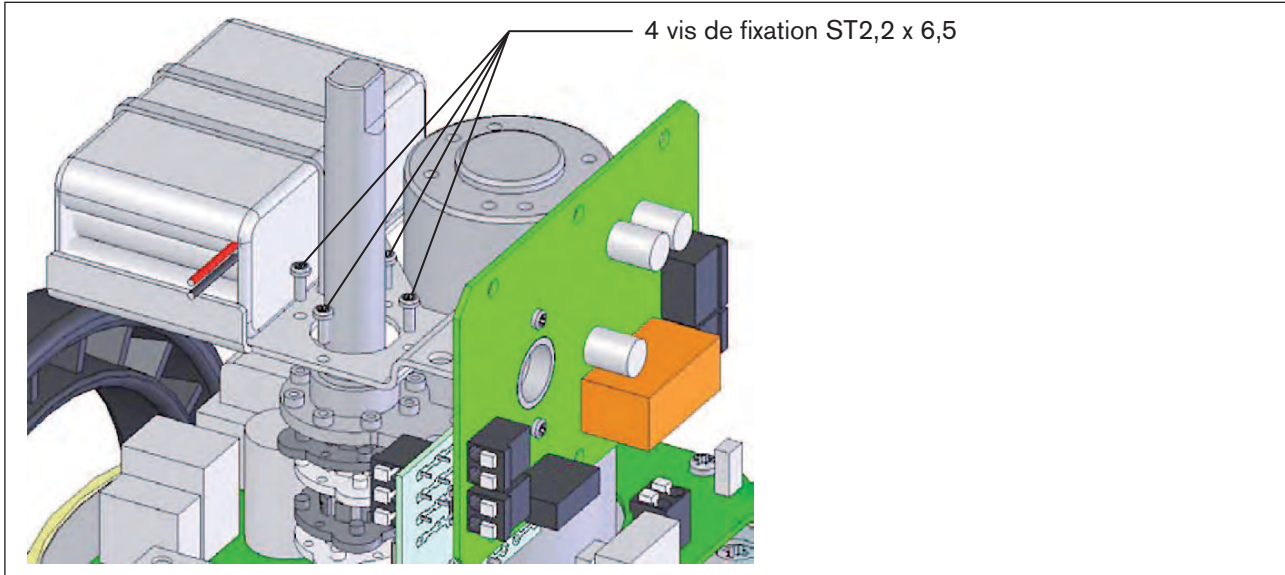


Figure 29 : Représentation : Montage du bloc de sécurité dans l'actionneur

→ Fixez le bloc de sécurité de la variante à courant de secours sur le servomoteur au moyen de 4 vis (voir « Figure 29 »).

→ Raccordez la batterie dans l'ordre suivant:

- 1.F+ (fil rouge)
- 2.E- (fil noir)

→ Raccordez l'alimentation en courant dans l'ordre suivant :

- 1.borne 18
- 2.borne 17

(voir « Figure 28 : Représentation : carte électronique »)

## 10. MISE EN SERVICE

### 10.1. Consignes de sécurité



#### AVERTISSEMENT !

##### Danger dû à une utilisation non conforme !

Une utilisation non conforme peut entraîner des blessures et endommager l'appareil et son environnement.

- Avant la mise en service, il faut s'assurer que le contenu des instructions de service est connu et parfaitement compris par les opérateurs.
- Respectez en particulier les consignes de sécurité et l'utilisation conforme.
- L'appareil/l'installation doit être mis(e) en service uniquement par un personnel suffisamment formé.

### 10.2. Procédure à suivre

- Assurez-vous que les raccordements et les réglages ont été exécutés correctement selon le chapitre « [7. Montage](#) ».
- Vérifiez si l'actionneur électrique et la vanne se trouvent dans une position finale définie, sinon la vanne peut se bloquer. Dans ce cas, l'actionneur électrique s'arrête automatiquement.

## 11. UTILISATION ET FONCTIONNEMENT

### 11.1. Consignes de sécurité



#### AVERTISSEMENT !

##### Danger présenté par la tension électrique !

Il y a risque important de blessures lors d'interventions sur l'appareil.

- Coupez l'alimentation avant d'utiliser manuellement l'actionneur électrique.
- Veuillez respecter les réglementations en vigueur pour les appareils électriques en matière de prévention des accidents ainsi qu'en matière de sécurité !



#### AVERTISSEMENT !

##### Danger dû à une utilisation non conforme !

Une utilisation non conforme peut entraîner des blessures et endommager l'appareil et son environnement.

- Les opérateurs doivent connaître le contenu des instructions de service et les avoir comprises.
- Respectez en particulier les consignes de sécurité et l'utilisation conforme.
- L'appareil/l'installation doit être mis(e) en service uniquement par un personnel suffisamment formé.



#### AVERTISSEMENT !

##### Situation dangereuse due à une intervention manuelle !

Des interventions manuelles peuvent causer le passage du processus à un état non défini ce qui provoque des situations dangereuses.

- Après une intervention manuelle, garantisiez un redémarrage défini ou contrôlé du processus !

### 11.2. Utilisation manuelle



Avant toute utilisation manuelle de l'actionneur électrique, assurez-vous que l'alimentation en tension est coupée !

Le volant peut être utilisé sans débrayer. Aucun travail particulier n'est à effectuer.

## 12. MAINTENANCE, DÉPANNAGE

### 12.1. Consignes de sécurité

#### **DANGER !**

##### **Danger présenté par la tension électrique !**

Il y a risque important de blessures lors d'interventions sur l'appareil.

- Avant d'effectuer des travaux, coupez toujours l'alimentation et empêchez toute remise sous tension par inadvertance !
- Veuillez respecter les réglementations en vigueur pour les appareils électriques en matière de prévention des accidents ainsi qu'en matière de sécurité !

#### **AVERTISSEMENT !**

##### **Danger en cas de travaux de maintenance non conformes !**

Une maintenance non conforme peut entraîner des blessures et endommager l'appareil et son environnement.

- Les travaux de maintenance doivent être effectués uniquement par des techniciens qualifiés et habilités disposant de l'outillage approprié !

##### **Danger dû à l'actionnement involontaire de l'installation !**

La mise en marche involontaire de l'installation lors des travaux d'entretien et de réparation peut entraîner des blessures et des dommages matériels.

- Evitez l'actionnement involontaire de l'installation par des mesures appropriées.

### 12.2. Travaux de maintenance

L'actionneur électrique ne nécessite pas d'entretien si les instructions mentionnées sont respectées.

### 12.3. Pannes

Panne	Remède
L'actionneur électrique ne fonctionne pas (première mise en service)	→ Vérifiez l'alimentation en courant. → Vérifiez les raccordements selon le schéma électrique fourni.
L'actionneur électrique est bloqué en position OUVERTE	→ Vérifiez l'alimentation en courant. → Vérifiez les raccordements selon le schéma électrique fourni. → Vérifiez si la vanne manœuvre librement.

Panne	Remède
La vanne ne s'ouvre ou ne se ferme pas complètement	<ul style="list-style-type: none"> <li>→ Vérifiez l'alimentation en courant.</li> <li>→ Vérifiez les raccordements selon le schéma électrique fourni.</li> <li>→ Vérifiez les contacts de fin de course.</li> <li>→ Vérifiez s'il y a surcharge sur la vanne due à un couple de manœuvre trop élevé (nos actionneurs électriques sont dotés d'un limiteur de couple électronique).</li> </ul> <p style="text-align: center;"><b>Si oui</b> : Coupez l'alimentation en courant pendant environ 5 minutes.</p>
L'actionneur électrique est bloqué en position FERMÉ	<ul style="list-style-type: none"> <li>→ Vérifiez l'alimentation en courant.</li> <li>→ Vérifiez les raccordements selon le schéma électrique fourni.</li> <li>→ Vérifiez si la vanne manœuvre librement.</li> </ul>



## 13. ACCESSOIRES



### ATTENTION !

#### Risque de blessures, de dommages matériels dus à de mauvaises pièces !

De mauvais accessoires ou des pièces de rechange inadaptées peuvent provoquer des blessures et endommager l'appareil ou son environnement.

- Utilisez uniquement des accessoires ainsi que des pièces de rechange d'origine de la société Bürkert.

Désignation	Réf.
Clé pour le réglage des contacts de fin de course	679 946
Douille de réduction étoile/carré 14/9 mm	665 288
Douille de réduction étoile/carré 14/11 mm	665 289
Douille de réduction étoile/étoile 22/14 mm	666 684
Douille de réduction étoile/carré 22/17 mm	684 858
Douille de réduction carré/carré 17/14 mm	665 290
Adaptateur carré extérieur 14/10 mm	668 234

## 14. EMBALLAGE, TRANSPORT

### REMARQUE !

#### Dommages dus au transport !

- Les appareils insuffisamment protégés peuvent être endommagés pendant le transport.
- Transportez l'appareil à l'abri de l'humidité et des impuretés et dans un emballage résistant aux chocs.
- Evitez les effets de la chaleur et du froid pouvant entraîner le dépassement vers le haut ou le bas de la température de stockage admissible.

## 15. STOCKAGE

### REMARQUE !

#### Un mauvais stockage peut endommager l'appareil.

- Stockez l'appareil au sec et à l'abri des poussières !
- Température de stockage : -20 °C ... +70 °C.

## 16. RECYCLAGE

Eliminez l'appareil et l'emballage dans le respect de l'environnement.

### REMARQUE !

#### Dommages à l'environnement causés par des pièces d'appareil contaminées par des fluides.

- Respectez les prescriptions en matière de recyclage des déchets et de protection de l'environnement en vigueur.



#### Remarque :

Respectez les prescriptions nationales en matière de recyclage des déchets.



