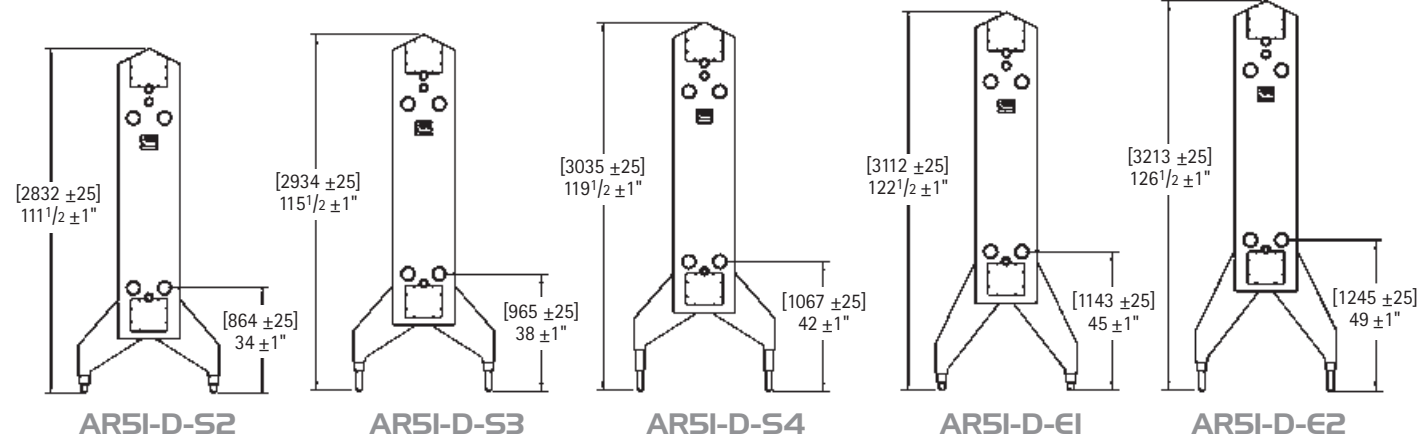
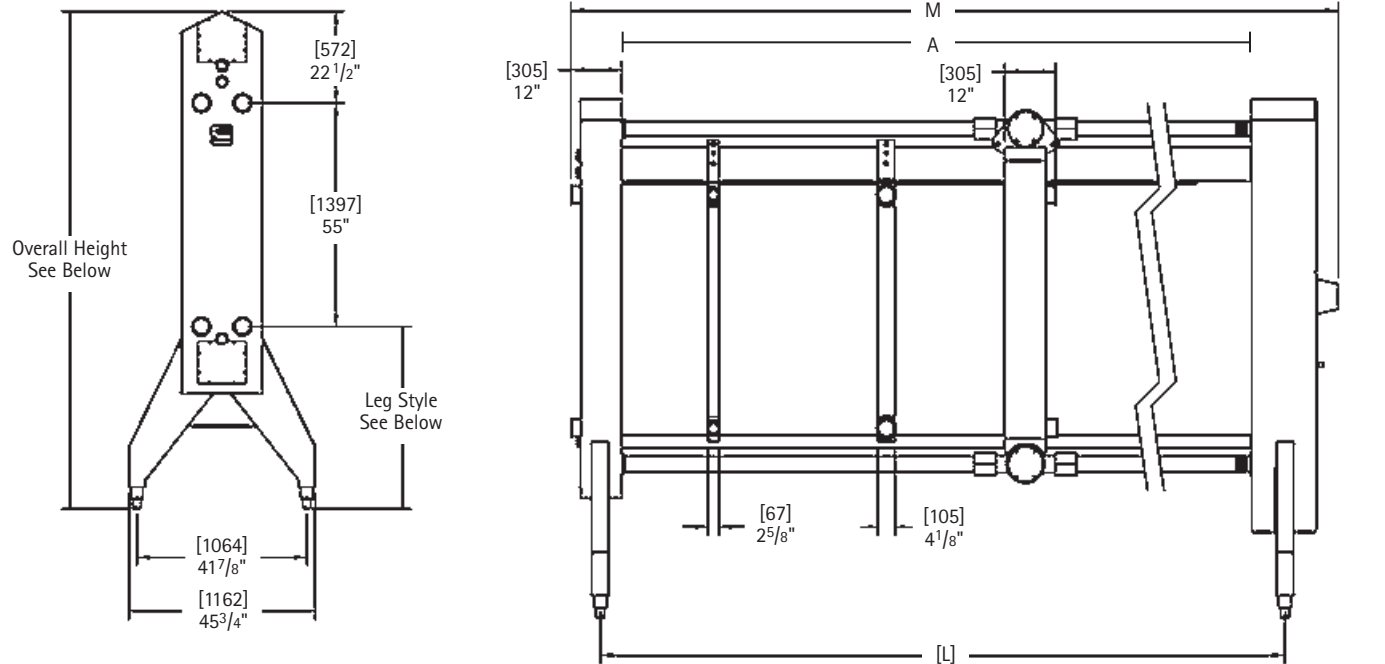


AR51-D Specifications



FRAME SIZE	MAXIMUM PROS PLATES	MAXIMUM PROSPPLUS PLATES	BALL FOOT CENTER (L)	OVERALL LENGTH (M)	RAIL LENGTH (A)
1	78	112	66-1/2" [1689]	86" [2184]	54" [1372]
2	193	275	102-1/2" [2604]	122" [3099]	90" [2286]
3	308	438	138-1/2" [3518]	158" [4013]	126" [3200]
4	423	601	174-1/2" [4432]	194" [4928]	162" [4115]
5	538	764	210-1/2" [5347]	230" [5842]	198" [5029]
6	653	927	246-1/2" [6261]	266" [6756]	234" [5944]
7	768	1090	282-1/2" [7176]	302" [7671]	270" [6858]
8	883	1253	318-1/2" [8090]	338" [8585]	306" [7772]

Special sizes available upon request

GENERAL INFORMATION		
	PROS	PROSPPLUS
Plate and Gasket Weight:	11.25 lbs / 5.10 kg	8 lbs 316 S.S. / 3.62 kg 5 lbs Titanium / 2.27 kg
Plate Capacity:	0.72 US Gallons / 2.72 l	0.45 US Gallons / 1.70 l
Heat Transfer Area:	5.6 ft ² / 0.52 m ²	5.2 ft ² / 0.48 m ²
Plate Thickness:	0.9 mm 316 S.S.	0.7 mm 316 S.S. 0.6 mm Titanium
Frame Weight: (according to size)	5650-6770 lbs / 2563 - 3071 kg	
Frame Connections:	4" Sanitary Clamp	
Terminal Connections:	2 1/2" or 4" Sanitary Clamp	
Terminal Weight: (standard or wide)	310 - 430 lbs / 141 - 195 kg	
Motor Horsepower	10 hp/230 v/460v/60	
Hydraulic Volume	8 U.S. Gallons 18.8l	



Western Factory
9109 SE 64th Avenue
Portland, OR 97206
503.774.7342
800.715.8820
FAX 503.774.2550

Central Office
1325 Remington Rd., Suite T
Schaumburg, IL 60173
847.301.6890
800.715.8820
FAX 503.774.2550

Eastern Factory
10129 Piper Lane
Bristow, VA 20136
703.257.1660
800.825.8820
FAX 703.330.7940

"Building the best, servicing the rest"™

See us on the web at www.AGCHeatTransfer.com

AR51-D 10-11



AR51-D

PLATE HEAT EXCHANGER FRAME

"Building the best, servicing the rest"™



INNOVATIVE DESIGN

VARIABLE PLATE CAPACITY

FIXED FOOTPRINT

Fully Automatic

Inside the AR51-D

AGC Heat Transfer offers a new innovatively designed frame, utilizing the proven hydraulic system concept of the AR51-H frame to provide a unit with a fixed footprint. Increase frame capacity without changing the size in a fixed dimension. The AR51-D uses hydraulic pressure to operate two heavy-duty spindles on the top and bottom. As the spindles turn, the follower (movable end) moves to allow full plate access.

Sleek open design with only 2 spindles



Top and bottom spindles always in sync with hydraulic safety interlock control.



No need to PLC program your unit to the proper "dead-hard" tightening dimension every time – even if you remove a pair of plates you'll be at the proper dimension automatically. Eliminates program errors and tape measurements.



Simple, locally, accessible hydraulic components

Rugged high loading hex-ACME threads are automatically lubricated/cleaned, providing superior life.



200 psig design pressure



A simple lever control provides super fast open/close via the two speed hydraulic system.



Emergency manual hex access points (top/bottom)

Both Pro5™ and Pro5Plus™ plates fit the new AR51-D frame.

Pro5™

Pro5Plus™

proflow sanitary
SERIES

"Building the best, servicing the rest"™