

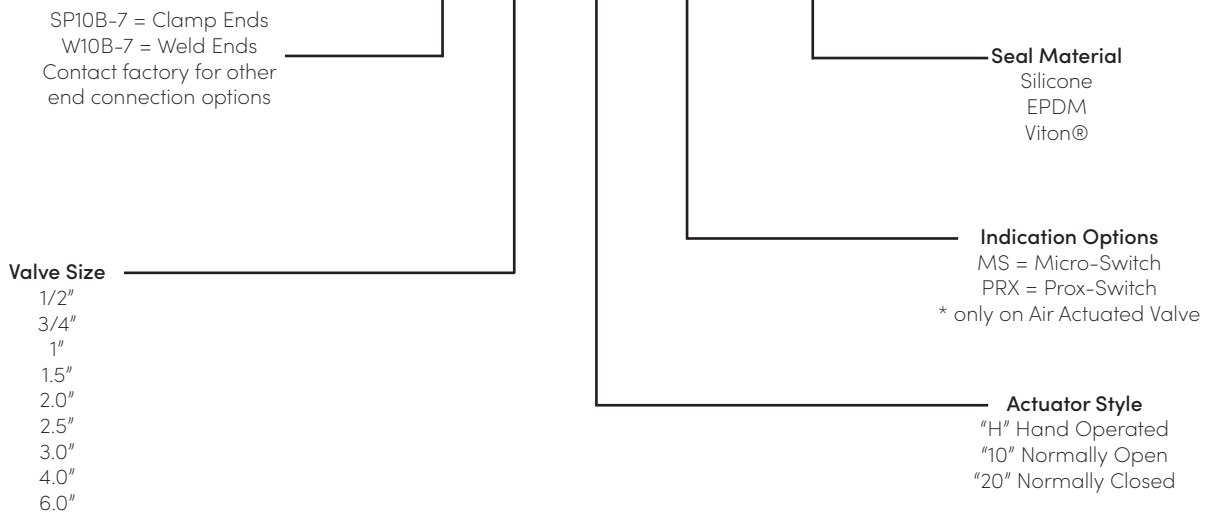
Butterfly Valve Options and Ordering Information

Features and Options:

- All stainless steel construction (T304/T316L wetted parts)
- Precision molded seat assures positive shut-off and long life
- Seat material include:
 - Silicone
 - EPDM
 - Viton®
- Available with dual micro-switches or dual proximity switches
- Hand operated or Air actuated
- End connections options include:
 - John Perry
 - Bevel Seat
 - I-Line
 - (contact factory for other options)



SP10B - 7 - 2" - 20 - PRX - EPDM



Butterfly Valve Specifications

Specifications

Body Material: T304 or T316L Stainless Steel

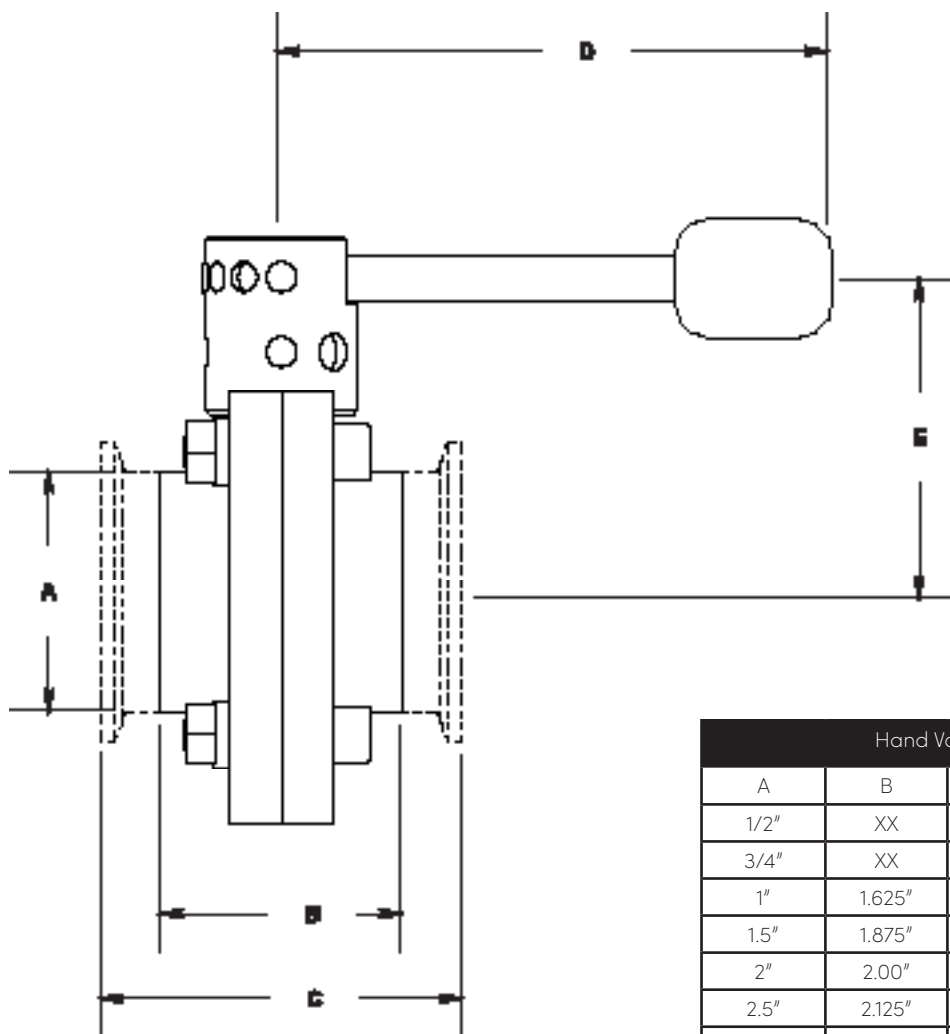
Seat Material: Silicone, EPDM and Viton®

Stem and Disc: T316L

Pressure Rating: 140 PSI Max. (6" Valve- 100 PSI Max.)

Temperature Range: -80° F to + 400° F

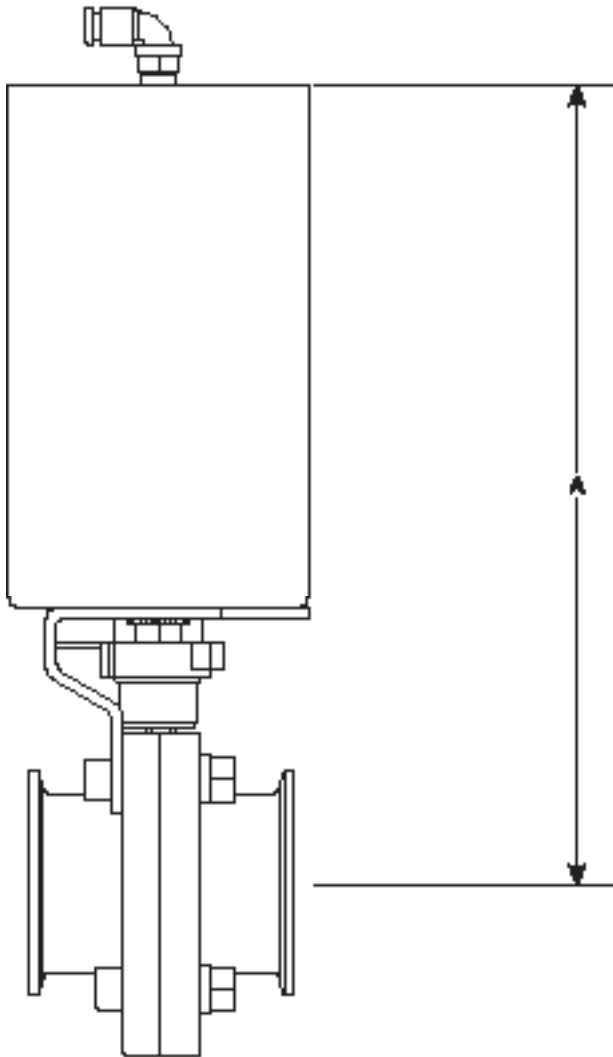
Handle: Fully open or closed spring loaded assembly (4) Position



Hand Valve Dimensions

A	B	C	D	E
1/2"	XX	2.50"	4.125"	2.00"
3/4"	XX	2.50"	4.125"	2.00"
1"	1.625"	2.875"	4.125"	2.00"
1.5"	1.875"	3.625"	4.125"	2.125"
2"	2.00"	3.781"	4.125"	2.625"
2.5"	2.125"	3.938"	4.125"	3.063"
3"	2.437"	4.063"	5.687"	3.250"
4"	3.156"	4.61"	5.687"	4.00"
6"	3.125"	4.438"	20"	5.50"

Air Actuated Valves



Air to open, Spring to Close Actuator

Position indicator for visual indication

Dual micro-switch and proximity-switch indication options (contact factory for details)

Air Pressure required: 65-85 PSI
 Product pressure range: 140 PSI Max.
 Temperature Range: -20°F to +200°F

Air Actuated Butterfly								
Size	1/2"	3/4"	1"	1.5"	2"	2.5"	3"	4"
A	8.625"	8.625"	8.625"	8.625"	9"	9.375"	9.563"	10.375"
Weight	9	9	9	9	9.5	10.5	13.3	16.5

Valve Positioner

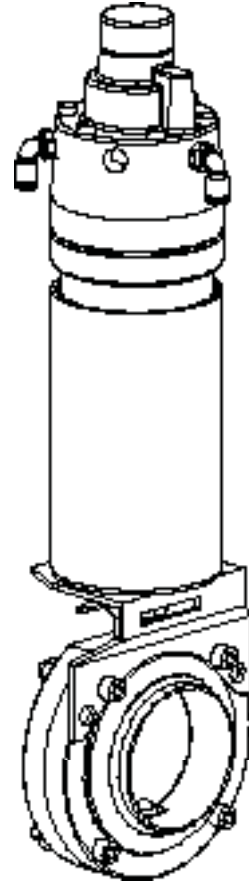
SP10B-7-x-20VP

Our 20VP butterfly valve actuator offers the same precise control as our SP160 series control valves at a lower cost. The valves utilizes the same Siemens positioner as our SP160 series valves, using a 3-15 PSI air signal.

Available with all standard butterfly valve options and connections types.

Air Supply Requirements:
3-15 PSI

Supply Air:
90-100 PSI



Contact the factory for more control indication options.