

Shut-Off Valve and Divert Valve Parts List

Elastomer Options

Actuator Elastomers: Buna, EPDM

Valve Wetted Parts:

Plug and Stem: EPDM, Viton®, PTFE

Stem O-Rings Viton®, EPDM

Body Gaskets EPDM, Viton®, Buna

Cleaning

CIP cleaning methods can be used when air actuated valves are installed. Check with local suppliers for the ideal chemicals to be used based on your requirements for effective cleaning.

Valves should be "cycled" during each step of the CIP process... failure to do this can result in premature failure of valve seats and O-Rings.

Using incorrect concentrations of CIP cleaning agents, excessive temperatures and exposure times can also lead to premature failure, consult your local chemical supplier for proper guidelines.

**** Note **** Buna-N is not recommended for use with CIP Sanitizing Agent OXONIA; use EPDM or Viton®.
EPDM or Viton® is recommended for ozone treated water.

Inspection

All components should be inspected based on your annual maintenance schedule. Valves that are "cycled" more often should follow their own maintenance schedule.

Inspect all valve seats and O-Rings for excessive wear. Replace all parts that show any type of wear, failure to do so can cause permanent damage.

Always follow strict safety guidelines with servicing all valves. Please contact factory at 800-558-9446 for assistance if needed.

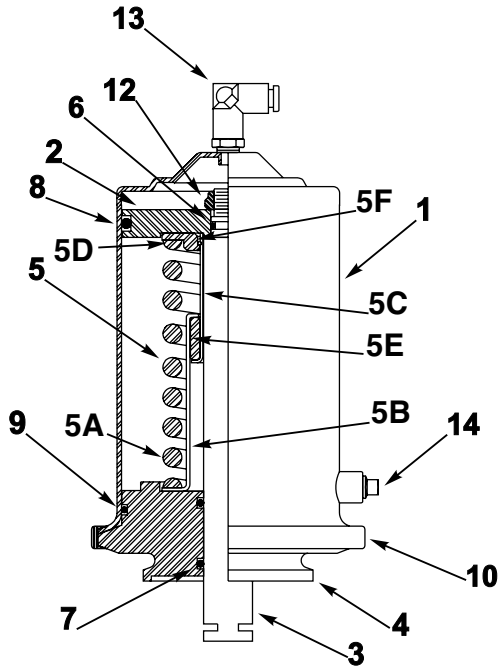
Ordering Spare Parts

When ordering spare parts, please contact the factory via Phone: 800-558-9446 or Fax: 262-859-2871, if assistance is needed. If possible please have the valve serial number available.

SHORT STROKE ACTUATORS

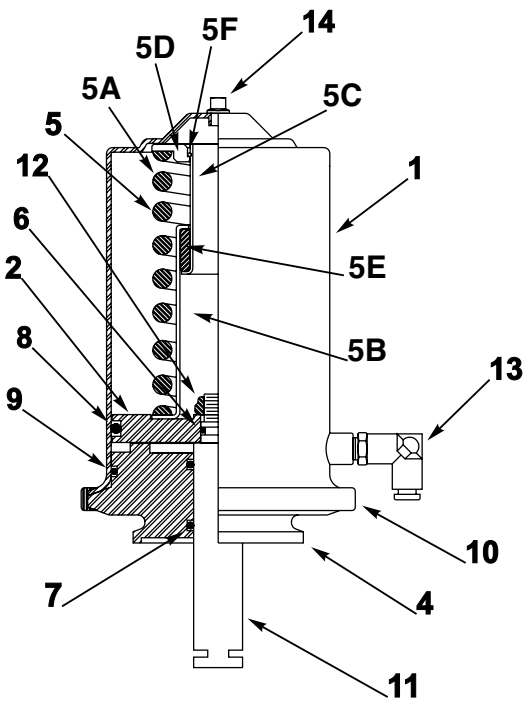
SP10

**NORMALLY OPEN/AIR-TO-CLOSE/
SPRING-TO-OPEN ACTUATOR**



SP20

**NORMALLY CLOSED/AIR-TO-OPEN/
SPRING-TO-CLOSE ACTUATOR**



SP10 and SP20 Actuators

Item #	Part Number	Description	Kit
1	SP10-1	Cylinder Assembly	
2	SP10-2	Piston	
3	SP10-2D	Actuator Stem	
4	SP10-4	Actuator Foot	
5	SP10-5	Spring and Cage Assembly	
5A	SP10-5A	Spring	
5B	SP10-5B	O.D. Guide	
5C	SP10-5C	I.D. Guide	
5D	SP10-5D	Retaining Flange	
5E	SP10-5E	Brass Bushing	
5F	SP10-5R	Retaining Ring	
6	SP10-6	Upper Stem O-Ring	▲ ○
7	SP10-7	Lower Stem O-Ring	▲ ○
8	SP10-8	Piston O-Ring	▲ ○
9	SP10-9	Foot O-Ring	▲ ○
10	SP13HC-4	Actuator Clamp	
11	SP20-2D	Actuator Stem	
12	SP10-12	Stem Nut	
13	SP10-14	Poly Tube Connector	
14	SP10-15BV	Breather Vent Plug	

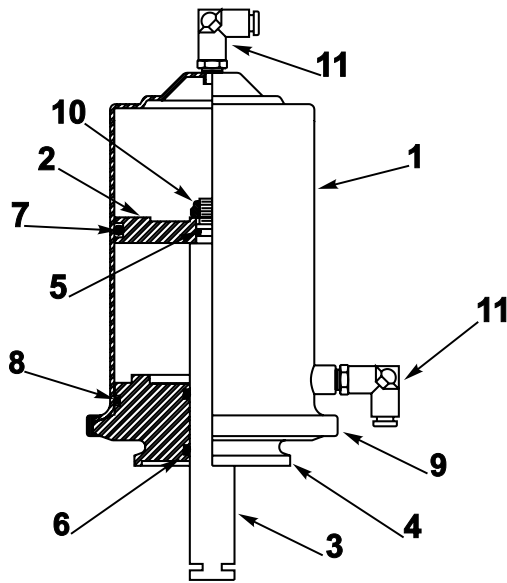
▲ Included in SP20-SK Actuator Service Kit

○ Included in SP20-RBK-Size Service Kit

SHORT STROKE ACTUATORS

SP30

**AIR-TO-AIR/AIR-TO-CLOSE/
AIR-TO-OPEN ACTUATOR**



SP30 Actuator

Item #	Part Number	Description	Kit
1	SP10-1	Cylinder Assembly	
2	SP10-2	Piston	
3	SP10-2D	Actuator Stem	
4	SP10-4	Actuator Foot	
5	SP10-6	Upper Stem O-Ring	▲ ○
6	SP10-7	Lower Stem O-Ring	▲ ○
7	SP10-8	Piston O-Ring	▲ ○
8	SP10-9	Foot O-Ring	▲ ○
9	SP13HC-4	Actuator Clamp	
10	SP10-12	Stem Nut	
11	SP10-14-NBP	Air Coupling (x2)	

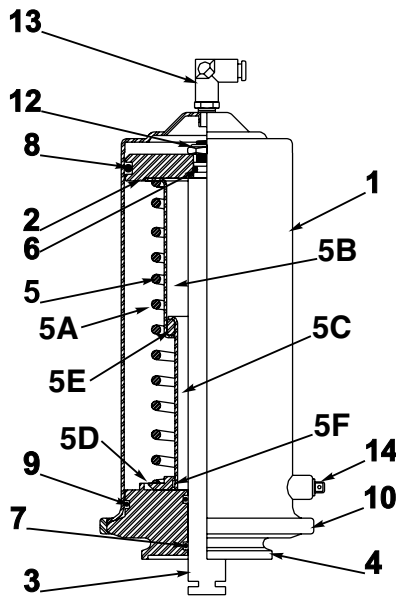
▲ Included in SP20-SK Actuator Service Kit

○ Included in SP20-RBK-Size Valve Service Kit

LONG STROKE ACTUATORS

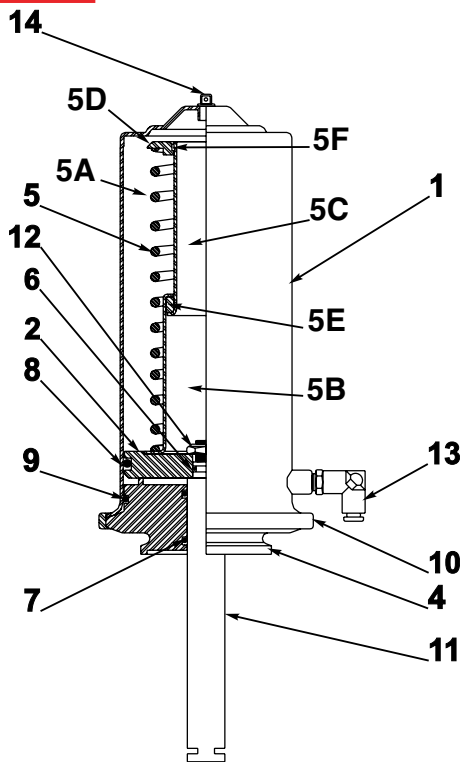
SP110

NORMALLY OPEN ACTUATOR



SP120

NORMALLY CLOSED ACTUATOR



SP110 and SP120 Actuators

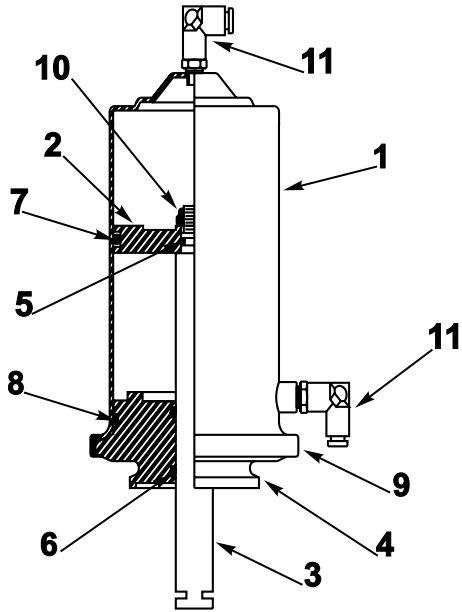
Item #	Part Number	Description	Kit
1	SP110-1	Cylinder Assembly	
2	SP110-2	Piston	
3	SP110-2D	Actuator Stem	
4	SP110-4	Actuator Foot	
5	SP110-5	Spring and Cage Assembly	
5A	SP110-5A	Spring	
5B	SP110-5B	O.D. Guide	
5C	SP110-5C	I.D. Guide	
5D	SP110-5D	Retaining Flange	
5E	SP110-5E	Brass Bushing	
5F	SP110-5R	Retaining Ring	
6	SP10-6	Upper Stem O-Ring	▲ ○
7	SP10-7	Lower Stem O-Ring	▲ ○
8	SP10-8	Piston O-Ring	▲ ○
9	SP10-9	Foot O-Ring	▲ ○
10	SP13HC-4	Actuator Clamp	
11	SP120-2D	Actuator Stem	
12	SP10-12	Stem Nut	
13	SP10-14	Poly Tube Connector	
14	SP10-15BV	Breather Vent Plug	

▲ Included in SP120-SK Actuator Service Kit

○ Included in SP120-RBK-Size Valve Service Kit

SP130

AIR-TO-AIR ACTUATOR



SP130 Actuator			
Item #	Part Number	Description	Kit
1	SP110-1	Cylinder Assembly	
2	SP110-2	Piston	
3	SP110-2D	Actuator Stem	
4	SP110-4	Actuator Foot	
5	SP10-6	Upper Stem O-Ring	▲ ○
6	SP10-7	Lower Stem O-Ring	▲ ○
7	SP10-8	Piston O-Ring	▲ ○
8	SP10-9	Foot O-Ring	▲ ○
9	SP13HC-4	Actuator Clamp	
10	SP10-12	Stem Nut	
11	SP10-14-NBP	Air Coupling (x2)	

▲ Included in SP120-SK Actuator Service Kit

○ Included in SP120-RBK-Size Valve Service Kit

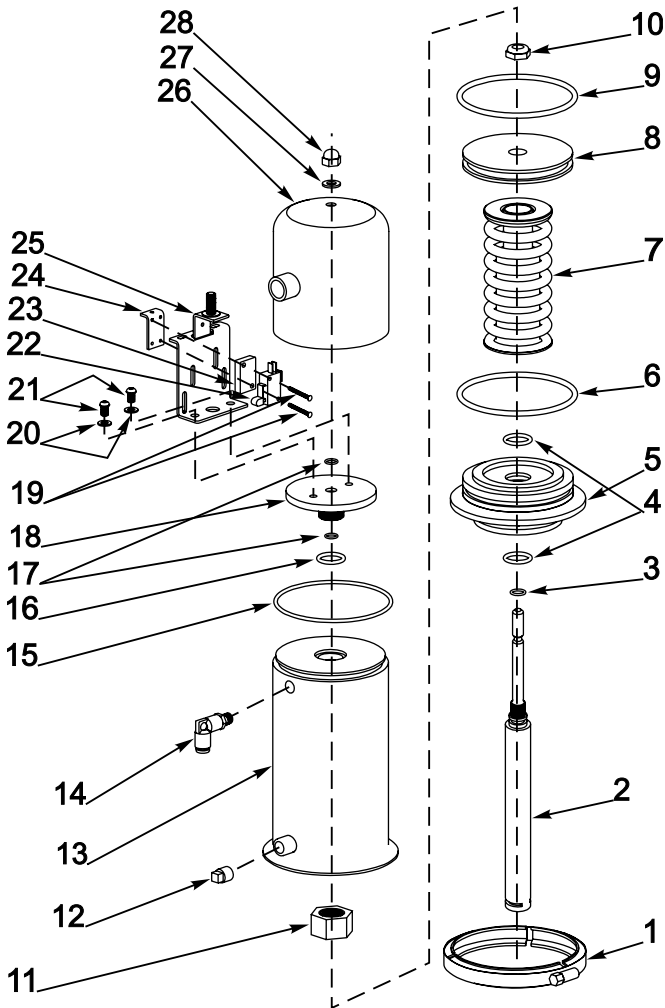
MICRO & PROXIMITY SWITCH ACTUATORS

SP10MS

NORMALLY OPEN MS/PRX SHORT STROKE ACTUATOR (PICTURED)

SP20MS

NORMALLY CLOSED MS/PRX SHORT STROKE ACTUATOR



SP10MS/SP10PRX/SP20MS/SP20PRX Actuators

Item #	Part Number	Description	Kit
1	SP13HC-4	Actuator Clamp	
2	SP10MS-2D SP20MS-2D	Actuator Stem	
3	SP10-6	Upper Stem O-Ring	▲
4	SP10-7	Lower Stem O-Ring	▲
5	SP10-4	Actuator Foot	
6	SP10-9	Foot O-Ring	▲
7	SP10-5	Spring and Cage	
8	SP10-2	Piston	
9	SP10-8	Piston O-Ring	▲
10	SP10-12	Stem Nut	
11	SP10MS-1BN	Base Plate Nut	
12	SP10-15BV SP10MS-15BV	1/8" 1/P Adapter Plug	
13	SP10MS-1	Cylinder	
14	SP10MS-14 SP10-14	1/4" Poly-Tube Connector	
15	SP10-9	Cover O-Ring	
16	SP10-7	Base Plate O-Ring	
17	SP10MS-40B	Indicator Stem O-Ring	
18	SP10MS-1B	Base Plate	
19	SP10MS-3C	Micro-Switch Screw (x2)	
20	SP10MS-3K	Micro-Switch Washer (x2)	
21	SP10MS-3L	MS Bracket Screw (x2)	
22	SP10MS-3B SP20-DPS	Micro-Switch (x2) Dual Prox Switch (x2)	
23	SP10MS-3A	MS Mounting Block	
24	SP10MS-3D	MS Adjusting Bracket	
25	SP10MS-3	Micro-Switch Bracket	
26	SP10MS-1A	Micro-Switch Housing	
27	SP10MS-1CW	MS Housing Washer	
28	SP10MS-1C	Acorn Nut	
**	SP20PS-PD	Prox Switch Indicator	

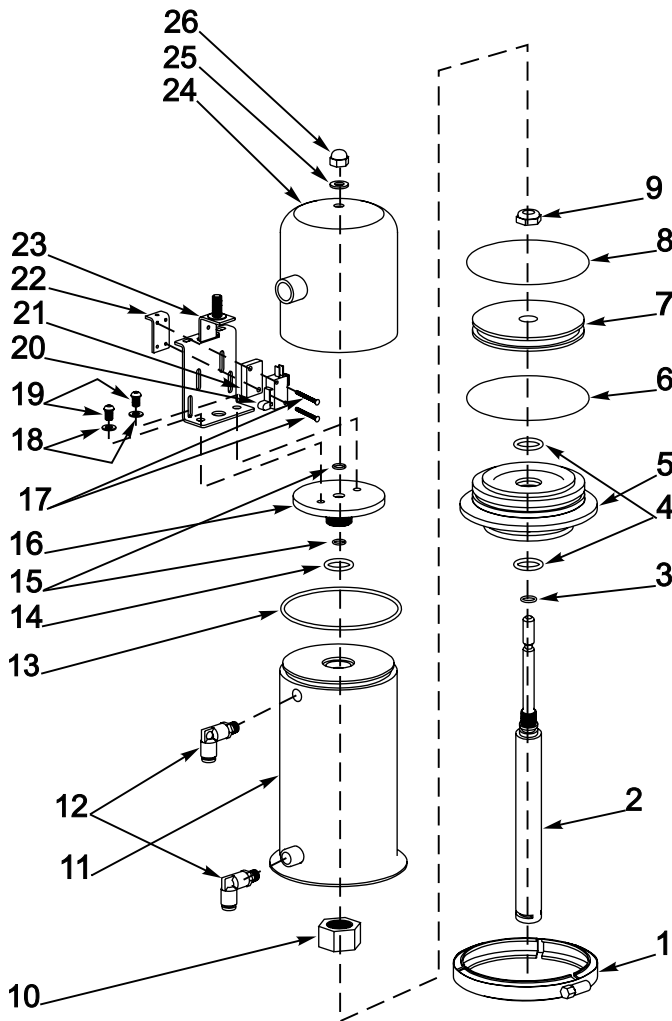
▲ Included in SP20-SK Actuator Service Kit

** Item not shown

See page 10 for more information on micro and prox switches

SP30MS

AIR-TO-AIR MS/PRX SHORT STROKE ACTUATOR



SP30MS/SP30PRX Actuators

Item #	Part Number	Description	Kit
1	SP13HC-4	Actuator Clamp	
2	SP10MS-2D	Actuator Stem	
3	SP10-6	Upper Stem O-Ring	▲
4	SP10-7	Lower Stem O-Ring	▲
5	SP10-4	Actuator Foot	
6	SP10-9	Foot O-Ring	▲
7	SP10-2	Piston	
8	SP10-8	Piston O-Ring	▲
9	SP10-12	Stem Nut	
10	SP10MS-1BN	Base Plate Nut	
11	SP10MS-1	Cylinder	
12	SP10MS-14 SP10-14	1/4" Poly-Tube Connector (x2)	
13	SP10-9	Cover O-Ring	
14	SP10-7	Base Plate O-Ring	
15	SP10MS-40B	Indicator Stem O-Ring	
16	SP10MS-1B	Base Plate	
17	SP10MS-3C	Micro-Switch Screw (x2)	
18	SP10MS-3K	Micro-Switch Washer (x2)	
19	SP10MS-3L	MS Bracket Screw (x2)	
20	SP10MS-3B SP20-DPS	Micro-Switch (x2) Dual Prox Switch (x2)	
21	SP10MS-3A	MS Mounting Block	
22	SP10MS-3D	MS Adjusting Bracket	
23	SP10MS-3	Micro-Switch Bracket	
24	SP10MS-1A	Micro-Switch Housing	
25	SP10MS-1CW	MS Housing Washer	
26	SP10MS-1C	Acorn Nut	
**	SP20PS-PD	Prox Switch Indicator	

▲ Included in SP20-SK Actuator Service Kit

** Item not shown

See page 10 for more information on micro and prox switches

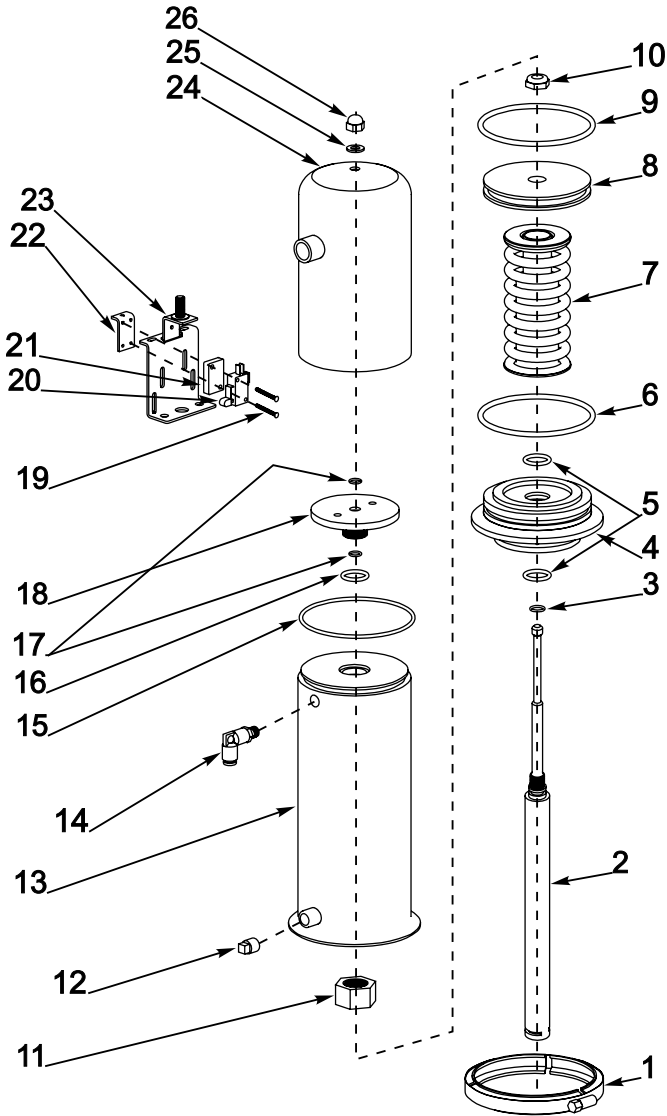
MICRO & PROXIMITY SWITCH ACTUATORS

SPI10MS

NORMALLY OPEN MS/PRX LONG STROKE ACTUATOR (PICTURED)

SPI20MS

NORMALLY CLOSED MS/PRX LONG STROKE ACTUATOR



SP110MS/SP110PRX/SP120MS/SP120PRX Actuators			
Item #	Part Number	Description	Kit
1	SP13HC-4	Actuator Clamp	
2	SP110MS-2D SP120MS-2D	Actuator Stem	
3	SP10-6	Upper Stem O-Ring	▲
4	SP10-7	Lower Stem O-Ring	▲
5	SP110-4	Actuator Foot	
6	SP10-9	Foot O-Ring	▲
7	SP110-5	Spring and Cage	
8	SP110-2	Piston	
9	SP10-8	Piston O-Ring	▲
10	SP10-12	Stem Nut	
11	SP10MS-1BN	Base Plate Nut	
12	SP10-15BV SP10MS-15BV	1/8" I/P Adapter Plug	
13	SP110MS-1	Cylinder	
14	SP10MS-14 SP10-14	1/4" Poly-Tube Connector	
15	SP10-9	Cover O-Ring	
16	SP10-7	Base Plate O-Ring	
17	SP10MS-40B	Indicator Stem O-Ring	
18	SP10MS-1B	Base Plate	
19	SP10MS-3C	Micro-Switch Screw (x2)	
20	SP10MS-3B SP20-DPS	Micro-Switch (x2) Dual Prox Switch (x2)	
21	SP10MS-3A	Micro-Switch Block (x2)	
22	SP10MS-3D	MS Adjusting Bracket (x2)	
23	SP110MS-3	Micro-Switch Bracket	
24	SP110MS-1A SP120MS-1A	Micro-Switch Housing	
25	SP10MS-1CW	MS Housing Washer	
26	SP10MS-1C	Acorn Nut	
**	SP20PS-PD	Prox Switch Indicator	

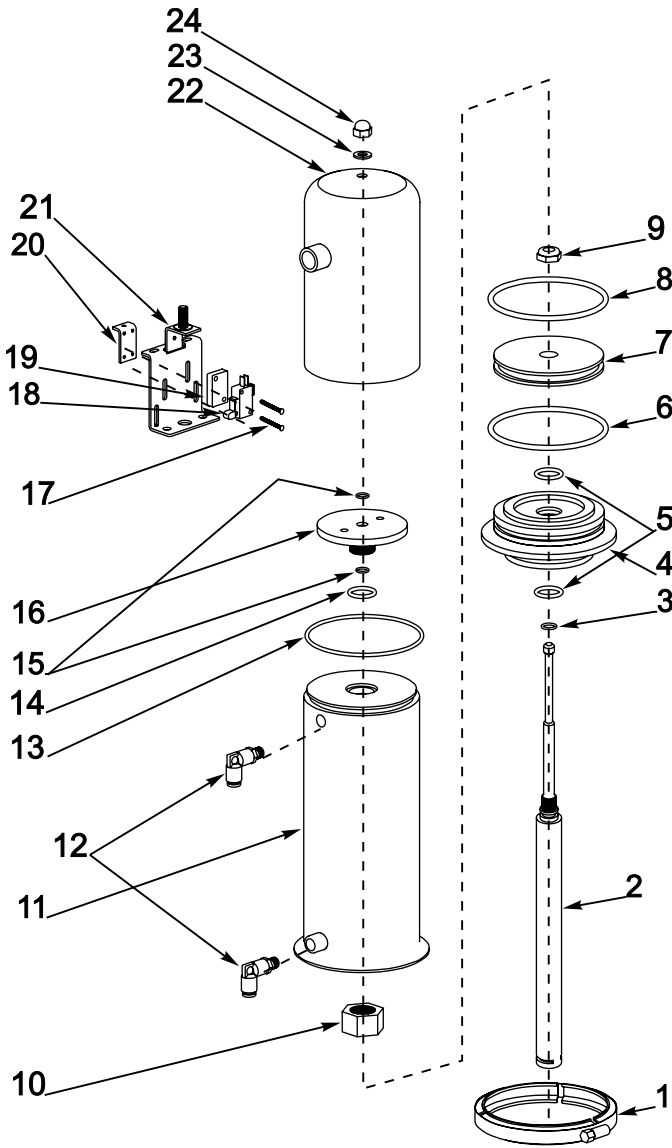
▲ Included in SP120-SK Actuator Service Kit

** Item not shown

See page 10 for more information on micro and prox switches

SPI30MS

AIR-TO-AIR MS/PRX LONG STROKE ACTUATOR



SP130MS/SP130PRX Actuators

Item #	Part Number	Description	Kit
1	SP13HC-4	Actuator Clamp	
2	SP110MS-2D	Actuator Stem	
3	SP10-6	Upper Stem O-Ring	▲
4	SP10-7	Lower Stem O-Ring	▲
5	SP110-4	Actuator Foot	
6	SP10-9	Foot O-Ring	▲
7	SP110-2	Piston	
8	SP10-8	Piston O-Ring	▲
9	SP10-12	Stem Nut	
10	SP10MS-1BN	Base Plate Nut	
11	SP110MS-1	Cylinder	
12	SP10MS-14 SP10-14	1/4" Poly-Tube Connector (x2)	
13	SP10-9	Cover O-Ring	
14	SP10-7	Base Plate O-Ring	
15	SP10MS-40B	Indicator Stem O-Ring	
16	SP10MS-1B	Base Plate	
17	SP10MS-3C	Micro-Switch Screw (x2)	
18	SP10MS-3B SP20-DPS	Micro-Switch (x2) Dual Prox Switch (x2)	
19	SP10MS-3A	Micro-Switch Block (x2)	
20	SP10MS-3D	MS Adjusting Bracket (x2)	
21	SP110MS-3	Micro-Switch Bracket	
22	SP110MS-1A SP120MS-1A	Micro-Switch Housing	
23	SP10MS-1CW	MS Housing Washer	
24	SP10MS-1C	Acorn Nut	
**	SP20PS-PD	Prox Switch Indicator	

▲ Included in SP120-SK Actuator Service Kit

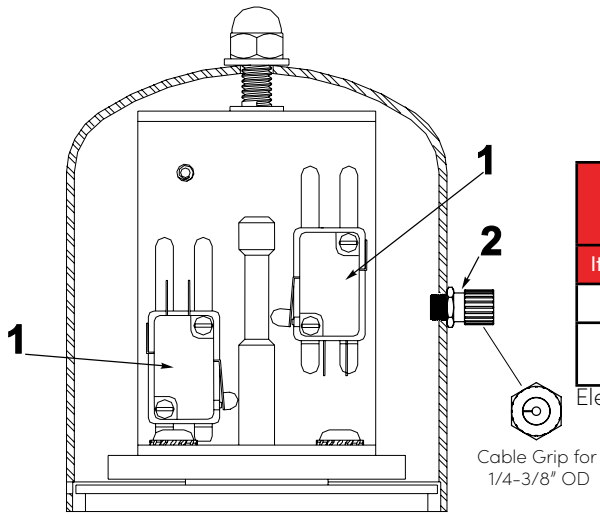
** Item not shown

See page 10 for more information on micro and prox switches

MICRO & PROXIMITY SWITCHES

SP120MS

MICRO-SWITCH

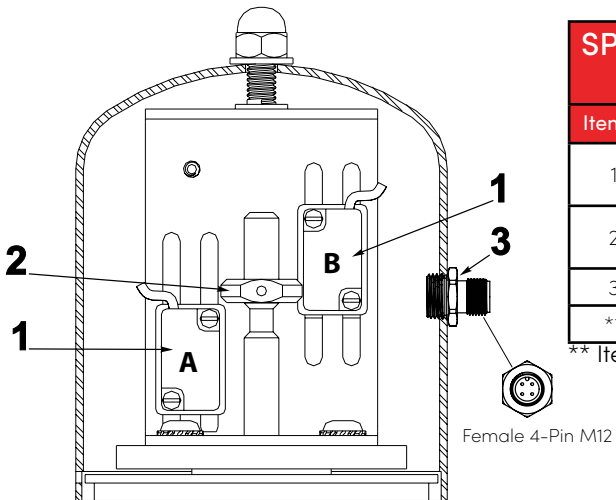


SP10MS/SP20MS/SP30MS/SP110MS/SP120MS/SP130MS Micro-Switch		
Item #	Part Number	Description
1	SP10MS-3B	Micro Switches (x2)
2	SP10MS-CG	1/2" NPT Nylon Cable Grip for 1/4-3/8" OD range

Electrical connections made by user/customer

SP20PRX

PROXIMITY SWITCH



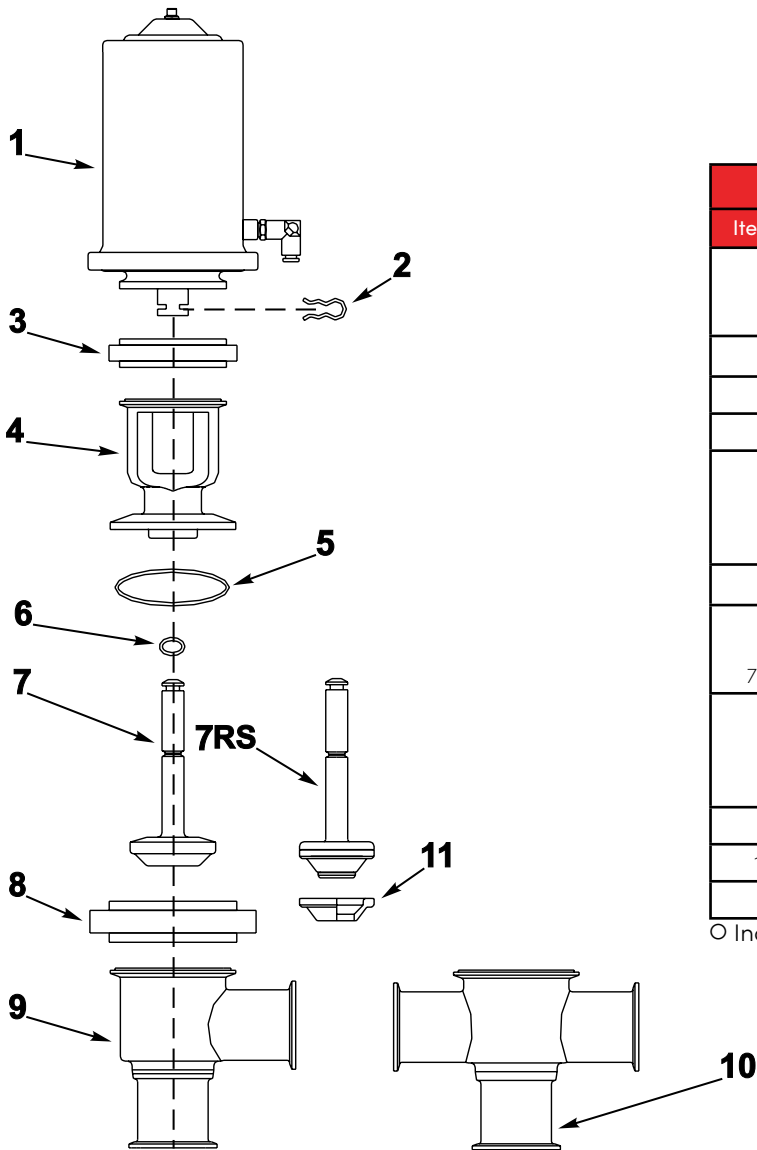
SP10PRX/SP20PRX/SP30PRX/SP110PRX/SP120PRX/SP 130PRX Proximity Switch		
Item #	Part Number	Description
1	SP20-DPS	Proximity Switches (Dual Prewired) A = Bottom, B = Top
2	SP20PS-PD	Proximity Switch Indicator (Stainless Steel Prox Dog) with Set Screw
3	SP20-4P-NPT	1/2" NPT Adapter to Female 4-Pin M12
**	SP20-FWC-CONN	Male M12 to Cable Adapter (Included but Optional)

** Item not shown

Female 4-Pin M12

SP160

SHORT STROKE SHUT OFF VALVE

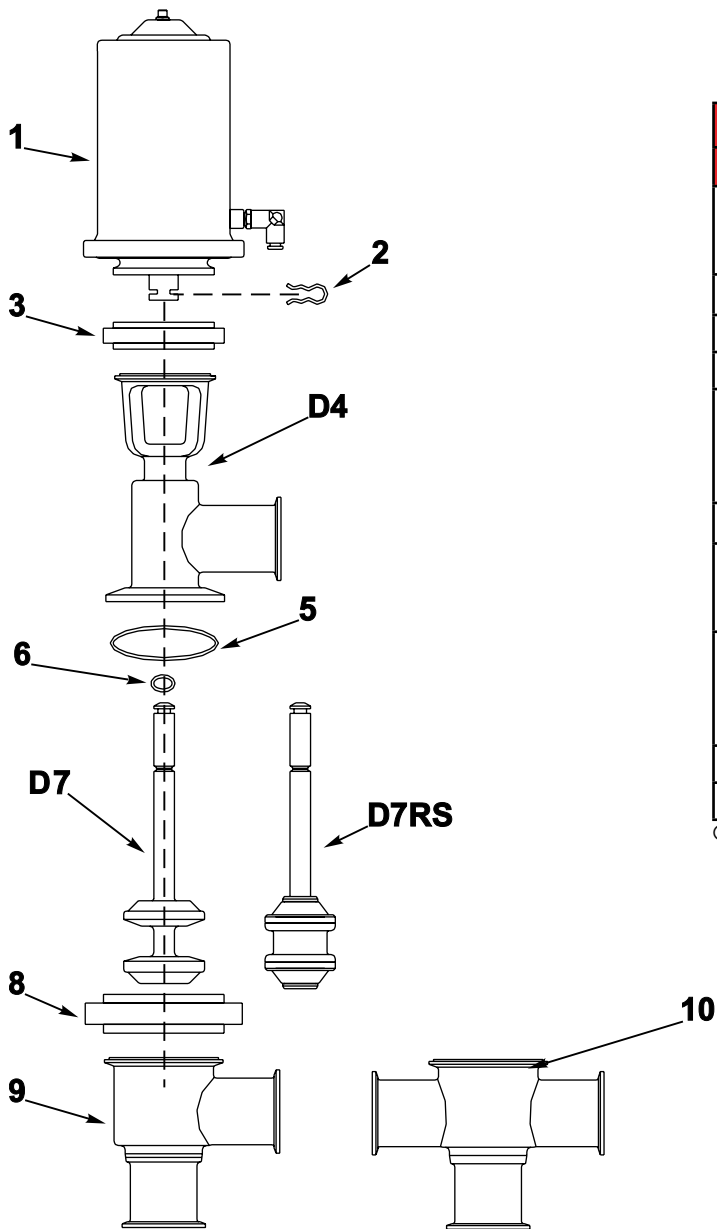


Short Stroke Shut Off Valves			
Item #	Part Number	Description	Kit
1	SP10	Actuator (N.O.)	
	SP20	Actuator (N.C.)	
	SP30	Actuator (A/A)	
2	SP160-7-1.5-9	Spring Clip	○
3	SP13Z-2.5	Bonnet Clamp	
4	SP160-7-Size-3	Shut Off Bonnet	
5	SP40B-2.5	Gasket for 1.5" Valve	○
	SP40B-3	Gasket for 2" Valve	
	SP40B-3.5	Gasket for 2.5" Valve	
	SP40B-4	Gasket for 3" Valve	
6	SP10-6	Stem O-Ring	○
7	SP160-7-Size-2E	Shut-off Stem (EPDM)	
	SP160-7-Size-2V	Shut-off Stem (Viton)	
	SP160-7RS-Size-2TS	Shut-off Stem (PTFE)	
8	SP13HC-2.5	Clamp for 1.5" Valve	
	SP13HC-3	Clamp for 2" Valve	
	SP13HC-3.5	Clamp for 2.5" Valve	
	SP13HC-4	Clamp for 3" Valve	
9	SP160-7-Size-1	Tee Body	
10	SP160-9-Size-1	Cross Body	
11	SP160-7RS-Size-2TH	Seat (PTFE)	

○ Included in SP20-RBK-Size Valve Service Kit

SPI60

SHORT STROKE DIVERT VALVE

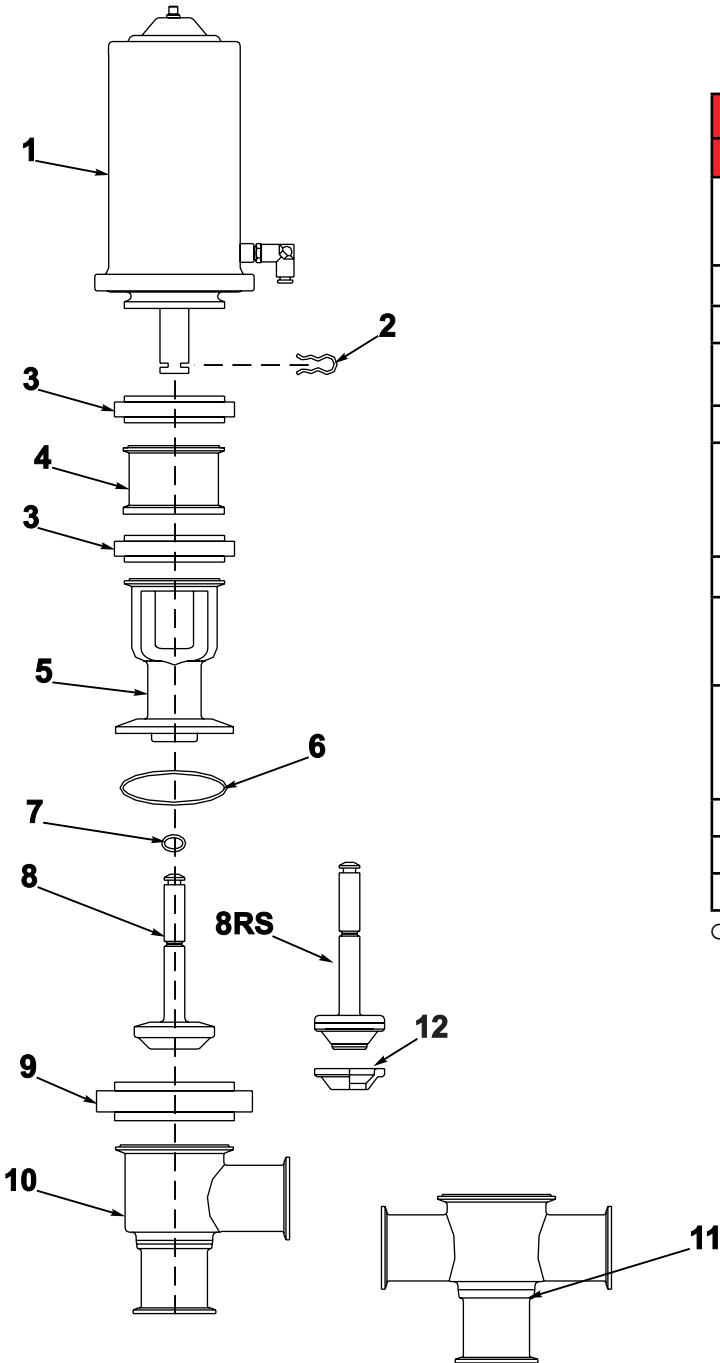


Short Stroke Divert Valves			
Item #	Part Number	Description	Kit
1	SP10 SP20 SP30	Actuator (N.O.) Actuator (N.C.) Actuator (A/A)	
2	SP160-7-1.5-9	Spring Clip	○
3	SP13Z-2.5	Bonnet Clamp	
D4	SP160-77-Size-1	Divert Upper Body	
5	SP40B-2.5 SP40B-3 SP40B-3.5 SP40B-4	Gasket for 1.5" Valve Gasket for 2" Valve Gasket for 2.5" Valve Gasket for 3" Valve	○
6	SP10-6	Stem O-Ring	○
D7 D7RS	SP160-77-Size-2E SP160-77-Size-2V SP160-77RS-x-2TS	Divert Plug and Stem (EPDM) Divert Plug and Stem (Viton) Divert Plug and Stem (PTFE)	
8	SP13HC-2.5 SP13HC-3 SP13HC-3.5 SP13HC-4	Clamp for 1.5" Valve Clamp for 2" Valve Clamp for 2.5" Valve Clamp for 3" Valve	
9	SP160-7-Size-1	Tee Body	
10	SP160-9-Size-1	Cross Body	

○ Included in SP20-RBK-Size Valve Service Kit

SPI61

LONG STROKE SHUT OFF VALVE

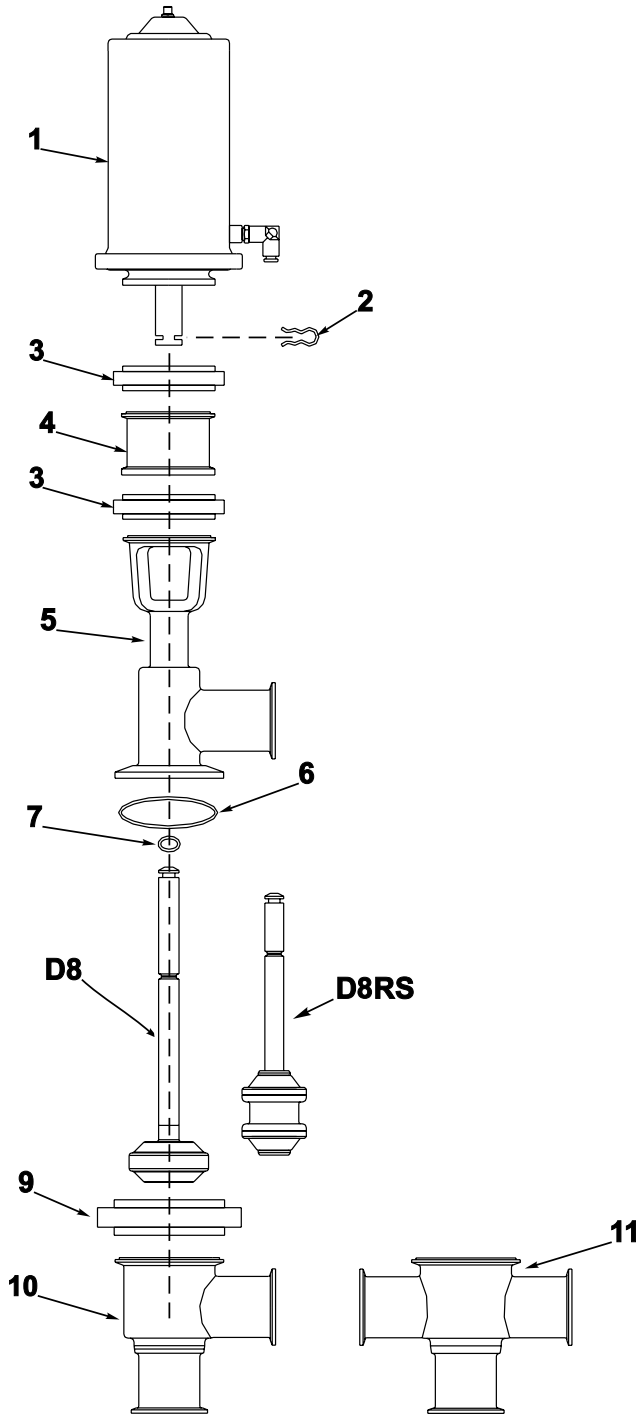


Long Stroke Shut Off Valves			
Item #	Part Number	Description	Kit
1	SP110 SP120 SP130	Actuator (N.O.) Actuator (N.C.) Actuator (A/A)	
2	SP160-7-1.5-9	Spring Clip	○
3	SP13Z-2.5	Bonnet Clamp	
4	SP161-4 SP161-4-DLS	Spool Piece 3" Valve Spool Piece	
5	SP161-7-Size-3	Bonnet	
6	SP40B-2.5 SP40B-3 SP40B-3.5 SP40B-4	Gasket for 1.5" Valve Gasket for 2" Valve Gasket for 2.5" Valve Gasket for 3" Valve	○
7	SP10-6	Stem O-Ring	○
8 8RS	SP161-7-Size-2E SP161-7-Size-2V SP161-7RS-Size-2TS	Shut-off Stem (EPDM) Shut-off Stem (Viton) Shut-off Stem (PTFE)	
9	SP13HC-2.5 SP13HC-3 SP13HC-3.5 SP13HC-4	Clamp for 1.5" Valve Clamp for 2" Valve Clamp for 2.5" Valve Clamp for 3" Valve	
10	SP160-7-Size-1	Tee Body	
11	SP160-9-Size-1	Cross Body	
12	SP160-7RS-Size-2TH	Seat (PTFE)	

○ Included in SP120-RBK-Size Valve Service Kit

SP161

LONG STROKE DIVERT VALVE

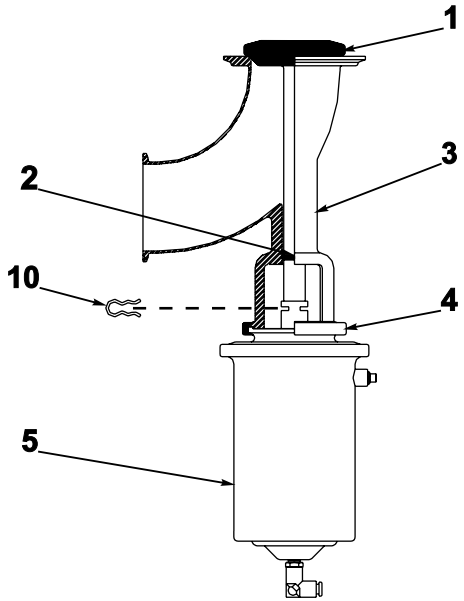


Long Stroke Divert Valves			
Item #	Part Number	Description	Kit
1	SP110 SP120 SP130	Actuator (N.O.) Actuator (N.C.) Actuator (A/A)	
2	SP160-7-1.5-9	Spring Clip	○
3	SP13Z-2.5	Bonnet Clamp	
4	SP161-4 SP161-4-DLS	Spool Piece 3" Valve Spool Piece	
D5	SP161-77-Size-1	Divert Upper Body	
6	SP40B-2.5 SP40B-3 SP40B-3.5 SP40B-4	Gasket for 1.5" Valve Gasket for 2" Valve Gasket for 2.5" Valve Gasket for 3" Valve	○
7	SP10-6 SP10-6-3	Stem O-Ring Stem O-Ring 3" Divert Only	○
D8 D8RS	SP161-77-Size-2E SP161-77-Size-2V SP161-77RS-Size-2TS	Divert Plug and Stem (EPDM) Divert Plug and Stem (Viton) Divert Plug and Stem (PTFE)	
9	SP13HC-2.5 SP13HC-3 SP13HC-3.5 SP13HC-4	Clamp for 1.5" Valve Clamp for 2" Valve Clamp for 2.5" Valve Clamp for 3" Valve	
10	SP160-7-Size-1	Tee Body	
11	SP160-9-Size-1	Cross Body	

○ Included in SP120-RBK-Size Valve Service Kit

SP164

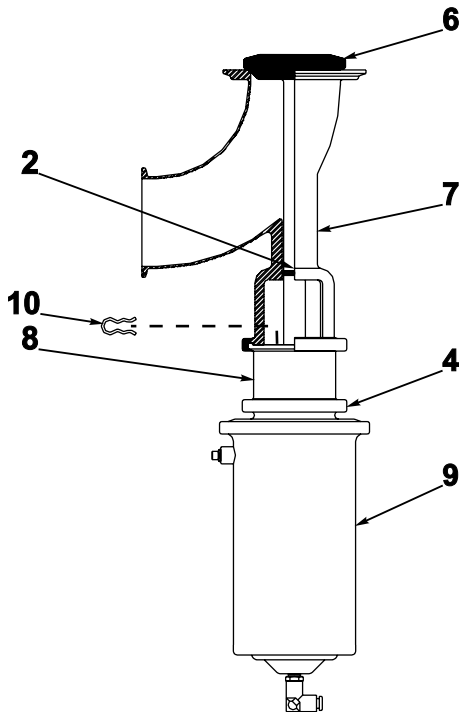
SHORT STROKE ELBOW VALVE



SP164 Elbow Valves		
Item #	Part Number	Description
1	SP164-7-Size-2	Plug and Stem
2	SP10-6	Stem O-Ring
3	SP164-7-Size-1	Body & Bonnet
4	SP13Z-2.5	Bonnet Clamp
5	SP10 SP20 SP30	Actuator (N.O.) Actuator (N.C.) Actuator (A/A)
10	SP160-7-1.5-9	Spring Clip

SP165

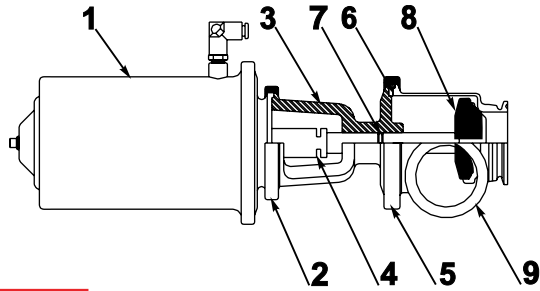
LONG STROKE ELBOW VALVE



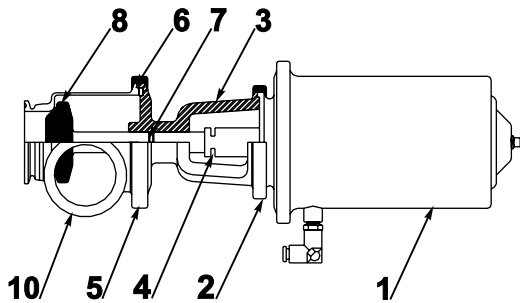
SP165 Elbow Valves		
Item #	Part Number	Description
2	SP10-6	Stem O-Ring
4	SP13Z-2.5	Bonnet Clamp
6	SP165-7-Size-2	Plug and Stem
7	SP165-7-Size-1	Body and Bonnet
8	SP161-4	Adapter Spool
9	SP110 SP120 SP130	Actuator (N.O.) Actuator (N.C.) Actuator (A/A)
10	SP160-7-1.5-9	Spring Clip

TANK OUTLET VALVES

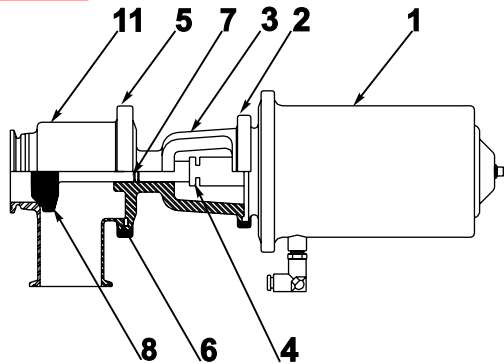
SPI63 SHORT STROKE TANK OUTLET VALVE



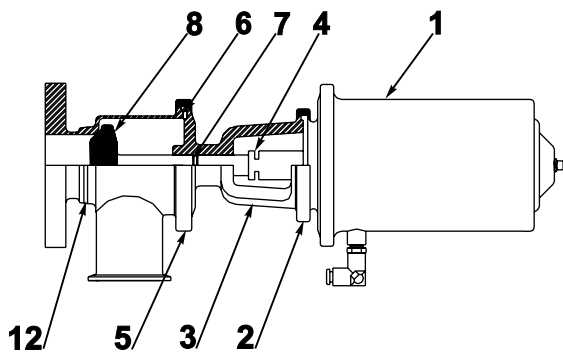
SPI63 SHORT STROKE TANK OUTLET VALVE



SPI613 LONG STROKE TANK OUTLET VALVE



SPI613 LONG STROKE TANK OUTLET VALVE



SP163 Short Stroke Tank Outlet Valves

Item #	Part Number	Description	Kit
1	SP10 SP20 SP30	Actuator (N.O.) Actuator (N.C.) Actuator (A/A)	
2	SP13Z-2.5	Bonnet Clamp	
3	SP160-7-Size-3	Bonnet	
4	SP160-7-1.5-9	Spring Clip	○
5	SP13HC-2.5 SP13HC-3 SP13HC-3.5 SP13HC-4	Clamp for 1.5" Valve Clamp for 2" Valve Clamp for 2.5" Valve Clamp for 3" Valve	
6	SP40B-2.5 SP40B-3 SP40B-3.5 SP40B-4	Body Gasket for 1.5" Valve Body Gasket for 2" Valve Body Gasket for 2.5" Valve Body Gasket for 3" Valve	○
7	SP10-6	Stem O-Ring	○
8	SP160-7-Size-2E SP160-7-Size-2V	Plug and Stem (EPDM) Plug and Stem (Viton)	
9	SP163R-7-Size-1	Tang. Right Tee Body	
10	SP163L-7-Size-1	Tang. Left Tee Body	
11	SP163S-7-Size-1	Straight Tee Body	
12	SP163F-7-Size-1	Flange Tee Body	

○ Included in SP20-RBK-Size Valve Service Kit

SP1613 Long Stroke Tank Outlet Valves

Item #	Part Number	Description	Kit
1	SP110 SP120 SP130	Actuator (N.O.) Actuator (N.C.) Actuator (A/A)	
2	SP13Z-2.5	Bonnet Clamp	
3	SP161-7-Size-3	Bonnet	
**	SP161-4	Spool Piece	
4	SP160-7-1.5-9	Spring Clip	○
5	SP13HC-2.5 SP13HC-3 SP13HC-3.5 SP13HC-4	Clamp for 1.5" Valve Clamp for 2" Valve Clamp for 2.5" Valve Clamp for 3" Valve	
6	SP40B-2.5 SP40B-3 SP40B-3.5 SP40B-4	Body Gasket for 1.5" Valve Body Gasket for 2" Valve Body Gasket for 2.5" Valve Body Gasket for 3" Valve	○
7	SP10-6	Stem O-Ring	○
8	SP161-7-Size-2E SP160-7-Size-2V	Plug and Stem (EPDM) Plug and Stem (Viton)	
9	SP163R-7-Size-1	Tang. Right Tee Body	
10	SP163L-7-Size-1	Tang. Left Tee Body	
11	SP163S-7-Size-1	Straight Tee Body	
12	SP163F-7-Size-1	Flange Tee Body	

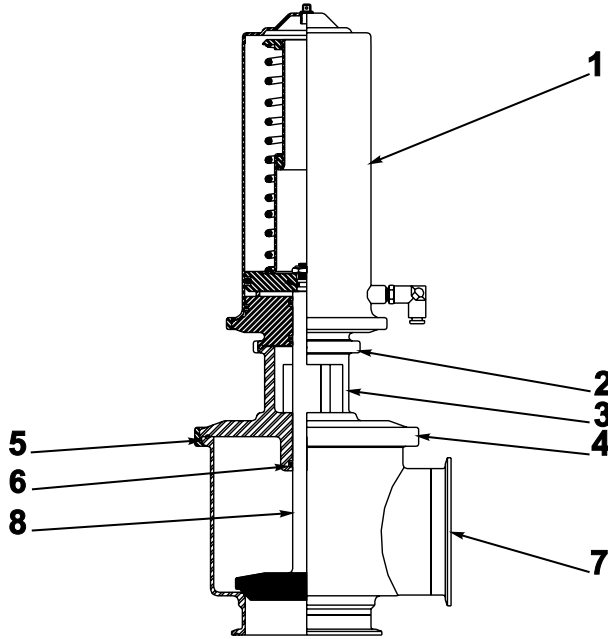
○ Included in SP120-RBK-Size Valve Service Kit

** Item not shown

4-INCH SHUT OFF & DIVERT VALVES

SPI61-7

4-INCH LONG STROKE SHUT OFF VALVE



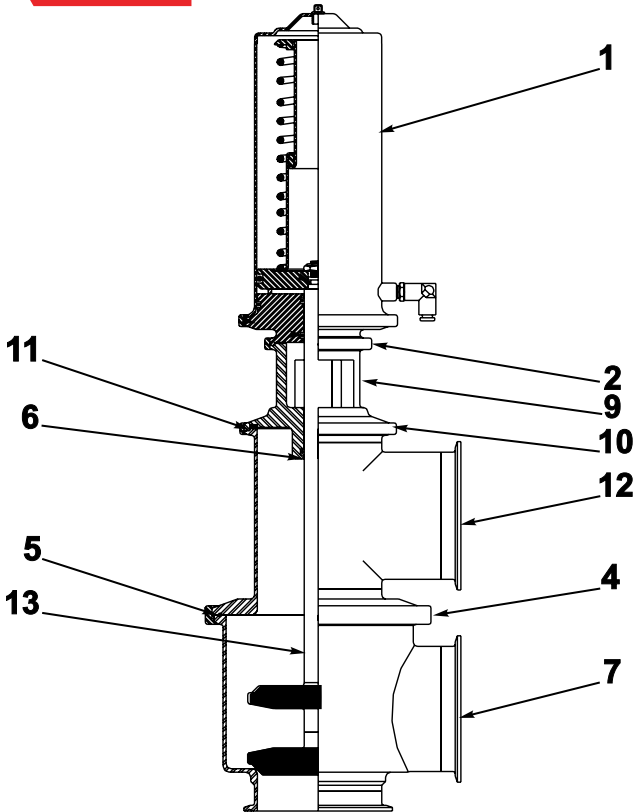
4-Inch Shut Off and Divert Valves

Item #	Part Number	Description	Kit
1	SP110	Actuator (N.O.)	
	SP120	Actuator (N.C.)	
	SP130	Actuator (A/A)	
2	SP13Z-2.5	Bonnet Clamp	
3	SP161-7-4-3	Bonnet	
4	SP13HC-6	Body Clamp	
5	SP40-6	Body Gasket	○
6	SP10-7	Bonnet O-Ring	○
7	SP161-7-4-1	Tee Body	
	SP161-9-4-1	Cross Body (not shown)	
8	SP161-7-4-2E-120	Plug and Stem (N.C.) (EPDM)	
	SP161-7-4-2V-120	Plug and Stem (N.C.) (Viton)	
	SP161-7-4-2E-110	Plug and Stem (N.O.) (EPDM)	
	SP161-7-4-2V-110	Plug and Stem (N.O.) (Viton)	
9	SP161-77-4-3	Divert Bonnet	
10	SP13HC-4	Upper Body Clamp	
11	SP40-4	Upper Body Gasket	
12	SP161-77-4-1	Upper Divert Body	
13	SP161-77-4-2E-120	Divert Plug and Stem (N.C.) (EPDM)	
	SP161-77-4-2V-120	Divert Plug and Stem (N.C.) (Viton)	
	SP161-77-4-2E-110	Divert Plug and Stem (N.O.) (EPDM)	
	SP161-77-4-2V-110	Divert Plug and Stem (N.O.) (Viton)	

○ Included in SP120-RBK-4 Valve Service Kit

SPI61-77

4-INCH LONG STROKE DIVERT VALVE

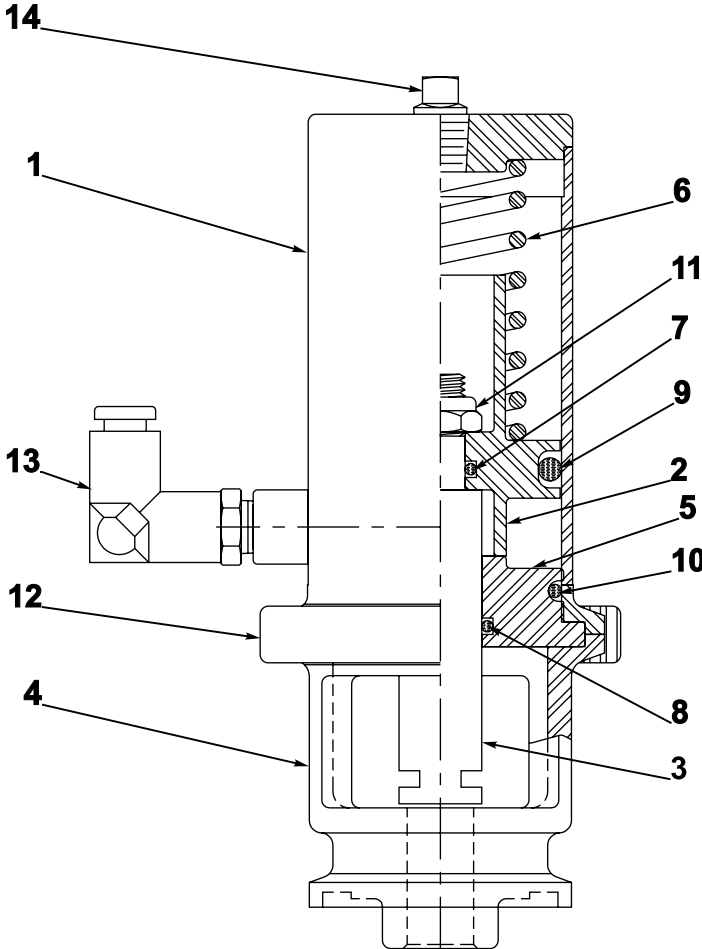


SP10-0.5

FRACTIONAL NORMALLY OPEN SHORT STROKE ACTUATOR

SP20-0.5

FRACTIONAL NORMALLY CLOSED SHORT STROKE ACTUATOR



Fractional Actuator			
Item #	Part Number	Description	Kit
1	SP10-0.5-1	Cylinder Assembly	
2	SP10-0.5-2	Piston	
3	SP10-0.5-2D SP20-0.5-2D	Stem (N.O.) Stem (N.C.)	
4	SP160-7-0.5-3	Bonnet	
5	SP10-0.5-4	Cylinder Foot	
6	SP10-0.5-5	Spring	
7	SP10-0.5-6	Upper Stem O-Ring	▲ ○
8	SP10-0.5-7	Lower Stem O-Ring	▲ ○
9	SP10-0.5-8	Piston O-Ring	▲ ○
10	SP10-0.5-9	Cylinder Foot O-Ring	▲ ○
11	SP10-0.5-12	Stem Nut	
12	SP13HC-2	Bonnet Clamp	
13	SP10-14	Poly-Tube Connector	
14	SP10-15BV	I/P Adapter	

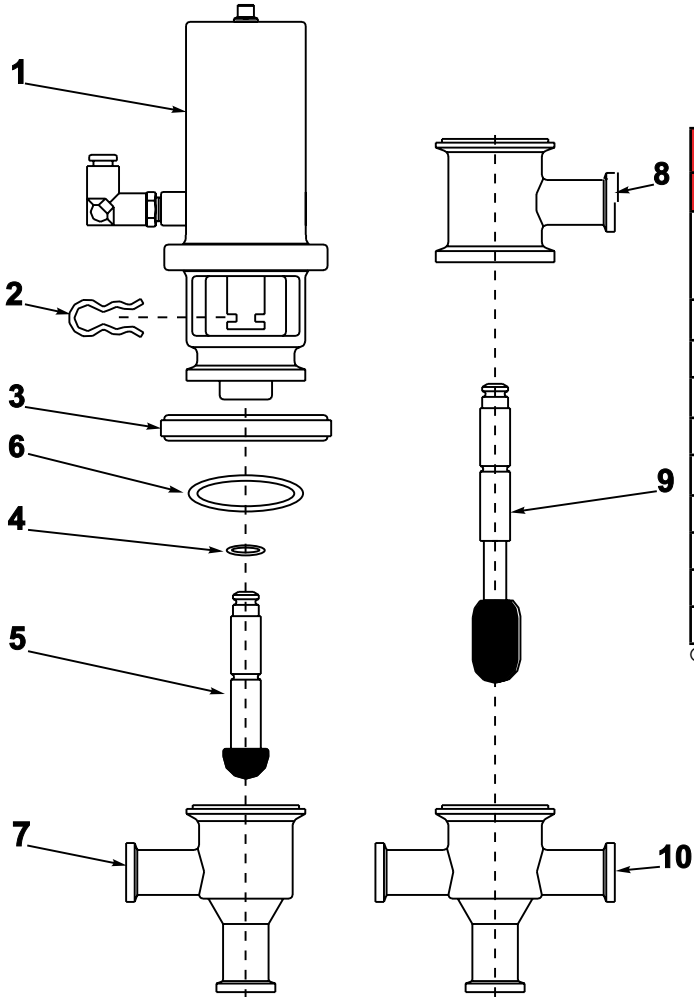
▲ Included in SP20-0.5-SK Actuator Service Kit
○ Included in SP20-RBK-0.5 Valve Service Kit

SP160-7

FRACTIONAL SHORT STROKE SHUT OFF VALVE

SP160-77

FRACTIONAL SHORT STROKE DIVERT VALVE



Fractional Shut Off and Divert Valves

Item #	Part Number	Description	Kit
1	SP10-0.5 SP20-0.5 SP30-0.5	Actuator (N.O.) Actuator (N.C.) Actuator (A/A)	
2	SP160-7-1.5-9	Spring Clip	○
3	SP13HC-1.5	Clamp	
4	SP160-7-0.5-2OR	Stem O-Ring	○
5	SP160-7-0.5-2	Plug and Stem	
6	SP40B-0.75	Bonnet Gasket	○
7	SP160-7-Size-1	Tee Body	
8	SP160-77-Size-1	Divert Body	
9	SP160-77-0.5-2	Divert Plug and Stem	
10	SP160-9-Size-1	Cross Body	

○ Included in SP20-RBK-0.5 Valve Service Kit