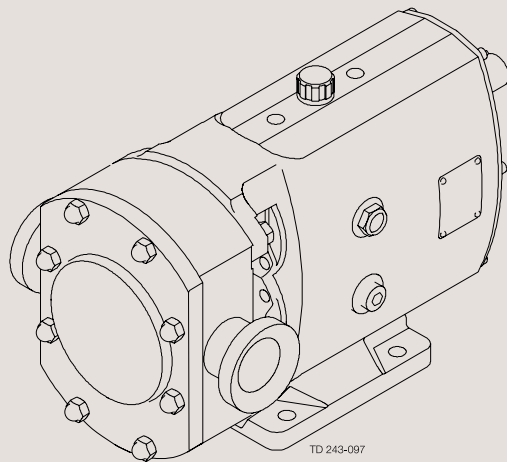


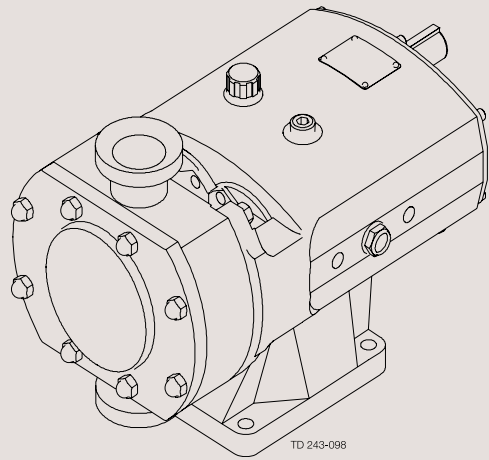


Spare Parts

SRU Rotary Lobe Pumps



TD 243-097



TD 243-098

ESE01951-EN17 2022-12

Original manual

Table of contents

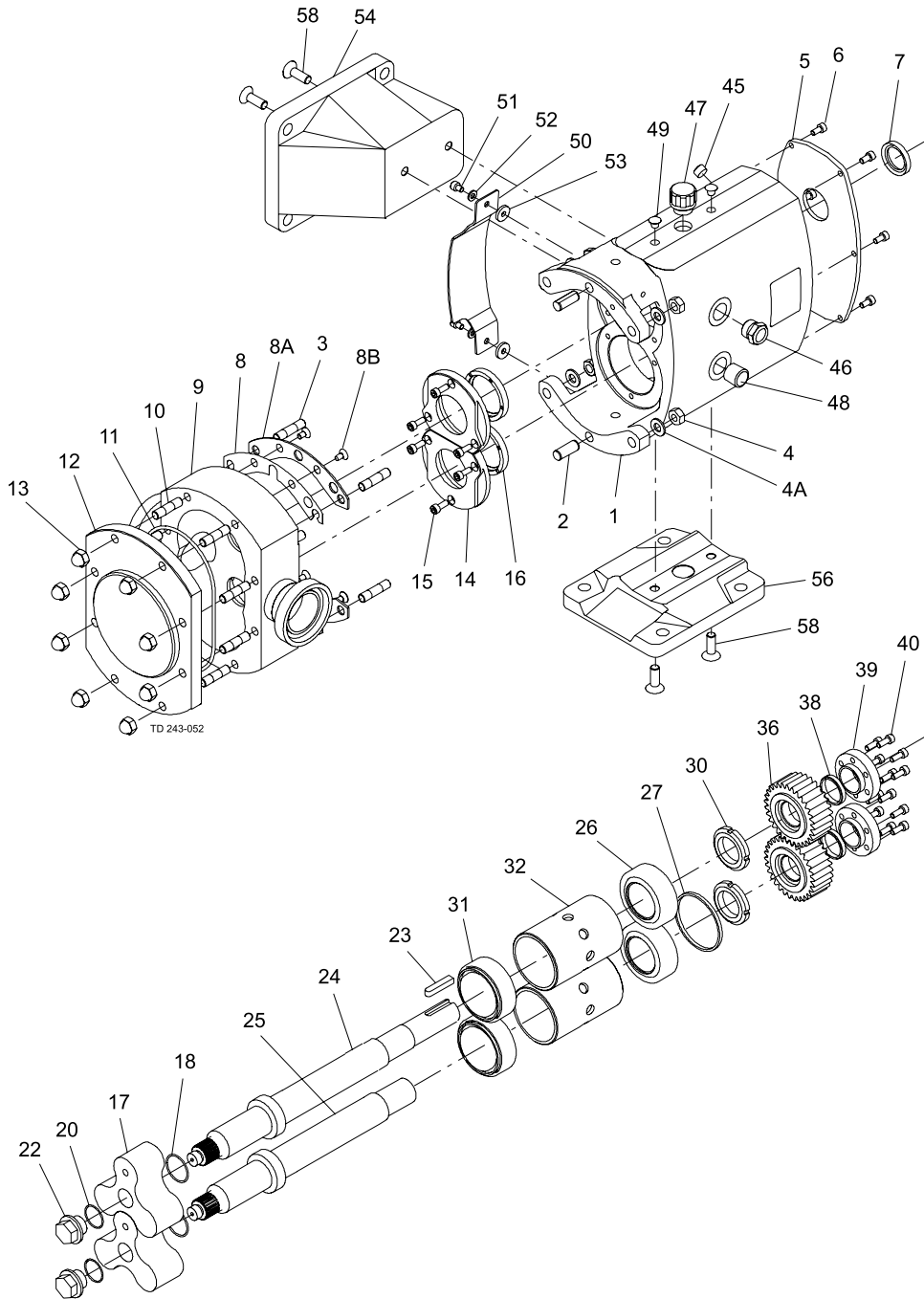
The information herein is correct at the time of issue but may be subject to change without prior notice

1. SRU-1 Rotary Lobe Pumps	6
2. SRU-2 Rotary Lobe Pumps	10
3. SRU-3 Rotary Lobe Pumps	16
4. SRU-4 Rotary Lobe Pumps	22
5. SRU-5 Rotary Lobe Pumps	28
6. SRU-6 Rotary Lobe Pumps	34
7. Rotorcases – R90 and Packed Gland – SRU1 and SRU2 Pump Models	40
8. Rotorcases – R90 and Packed Gland – SRU3 and SRU4 Pump Models	42
9. Rotorcases – R90 and Packed Gland – SRU5 and SRU6 Pump Models	46
10. Rotorcases – Hyclean Seal – SRU1 to SRU6 Pump Models	48
11. Rotorcases – Body Part Numbers	52
12. Rotorcases – Port Part Numbers	54
13. Rectangular to Round Adaptors	58
14. Cover/Spline Sealing Kits – SRU Pump Models	60
15. R90 Single Mechanical Seals (Complete) – SRU1 and SRU2 Pump Models	62
16. R90 Single Mechanical Seals (Complete) – SRU3 and SRU4 Pump Models	64
17. R90 Single Mechanical Seals (Complete) – SRU5 and SRU6 Pump Models	66
18. R90 Single Mechanical Seals (Parts) – SRU1 to SRU6 Pump Models	68
19. R90 Double Mechanical Seals (Complete) – SRU1 Pump Models	70
20. R90 Double Mechanical Seals (Complete) – SRU2 Pump Models	72
21. R90 Double Mechanical Seals (Complete) – SRU3 Pump Models	74
22. R90 Double Mechanical Seals (Complete) – SRU4 Pump Models	76
23. R90 Double Mechanical Seals (Complete) – SRU5 Pump Models	78
24. R90 Double Mechanical Seals (Complete) – SRU6 Pump Models	80
25. R90 Double Mechanical Seals (Complete – Part Numbering)	82
26. R90 Double Mechanical Seals (Parts) – SRU1 to SRU6 Pump Models	84
27. Hyclean Single Mechanical Seals (Complete) – SRU1 to SRU6 Pump Models	88
28. Hyclean Single Mechanical Seals (Parts) – SRU Pump Models	92
29. Packed Gland Seals – Pump Models SRU1 to SRU6	94

Table of contents

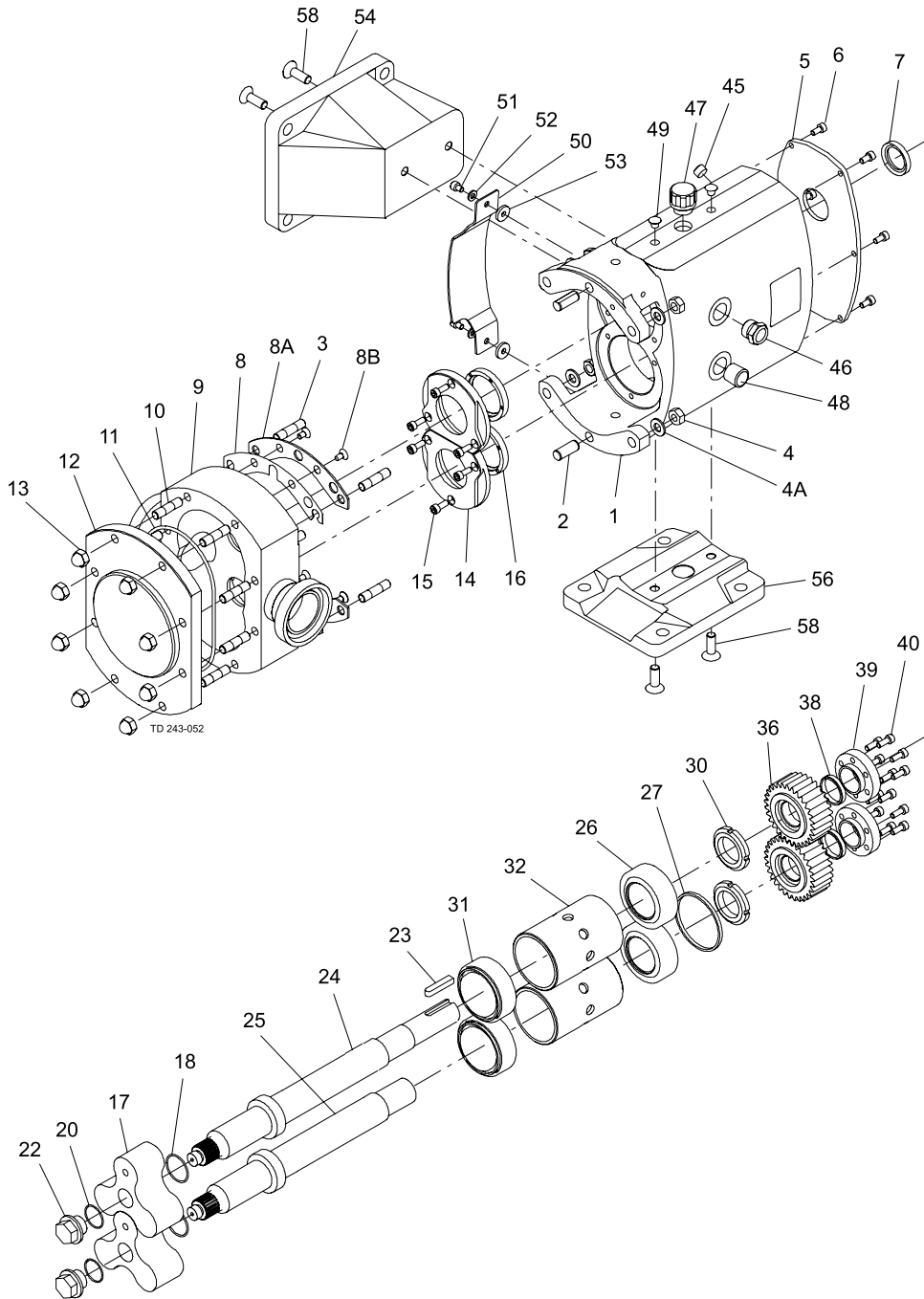
The information herein is correct at the time of issue but may be subject to change without prior notice

30. Triple Lip Seals (Parts) – SRU Pump Models	98
31. Pressure Relief Valve (Complete) – SRU Pump Models	100
32. Pressure Relief Valve (Parts) – SRU1 to SRU6 Pump Models	104
33. Rotorcase Cover Jackets and Saddles – SRU Pump Models	108
34. SRU – EPDM USP Class VI O-Rings & Seals	110
35. Electropolishing (Rotorcase Covers and Rotors)	112
36. Electropolishing (Rotors cont'd and Rotor Nuts)	114
37. Electropolishing (Rotorcase)	116
38. SRU – ATEX Parts	118
39. SRU Miscellaneous Items	122
40. Service kits for SRU pumps	124
41. SRU Revision History	156



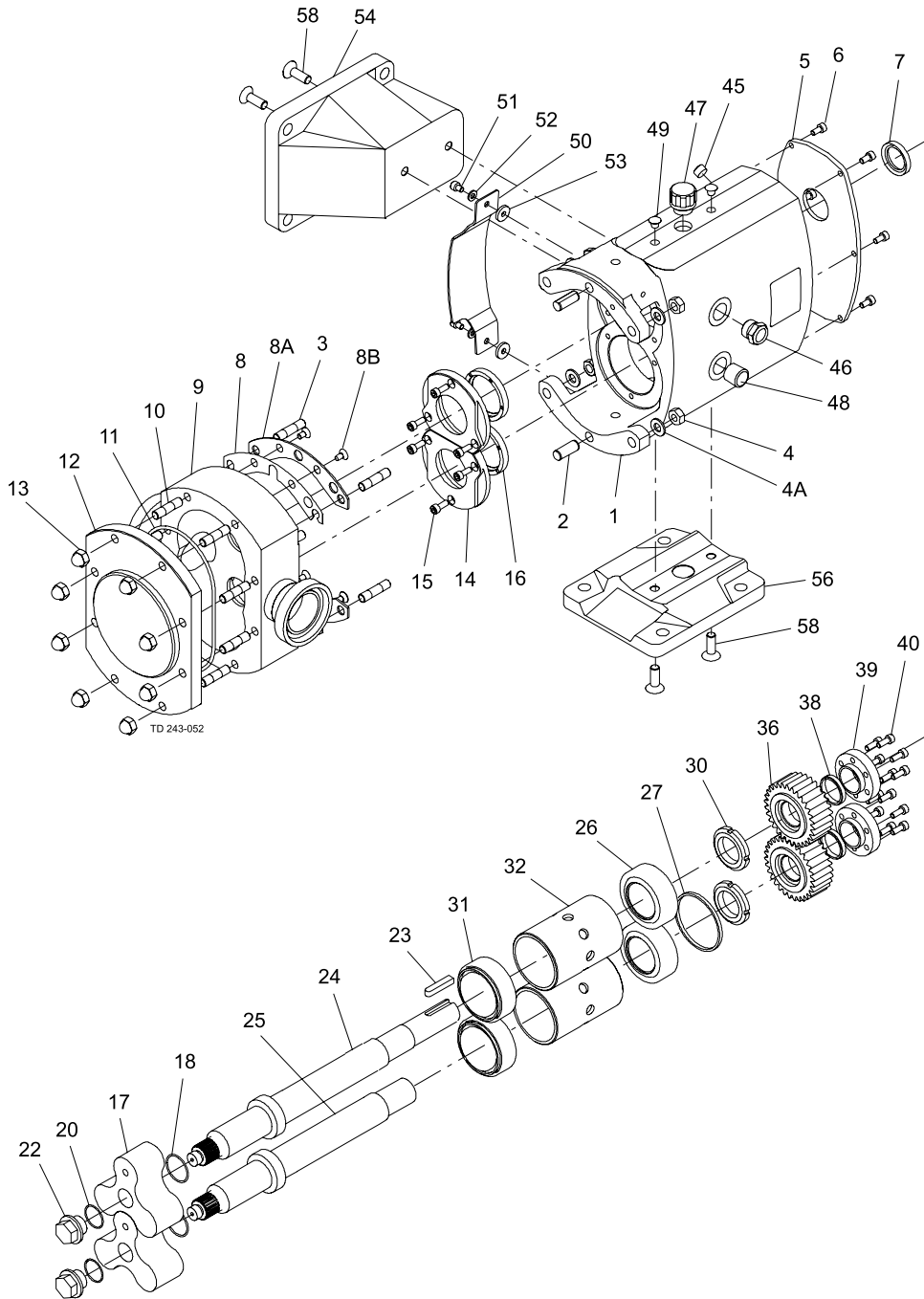
SRU-1 Rotary Lobe Pumps

Pos	Qty	Denomination	Item No.
1	1	Gearcase, AL Blue	9630094193
2	2	Dowel	9630030093
3	4	Stud, rotorcase retention	9630052259
4	4	Nut, rotorcase retention	9630024057
4a	4	Washer, rotorcase retention	9630024231
5	1	Cover, gearcase	9630087581
6	6	Screw, gearcase cover	9630030096
7	1	Lip seal, drive end, NBR (not for ATEX)	9630030621
	1	Lip seal, drive end, FPM	9630032806
8	2	Shim, Polymex (not for ATEX)	9630034305
	2	Shim, St.Stl	9630034304
8a	2	Shim retainer	9630050684
8b	4	Screw, shim retainer	9630050533
9	1	Rotorcase	
See page 40-52			
10	4	Stud, rotorcase/cover retention	9630031415
11	▲●	1 O-Ring, cover - plain, NBR	9630023375
	▲●	1 O-Ring, cover - plain, FPM	9630023456
	▲●	1 O-Ring, cover - plain, EPDM	9630023539
	▲●	1 O-Ring, cover - plain, PTFE	9630028747
		1 O-Ring, cover - relief valve, NBR	9630024201
		1 O-Ring, cover - relief valve, FPM	9630024335
		1 O-Ring, cover - relief valve, EPDM	9630019858
		1 O-Ring, cover - relief valve, PTFE	9630024336
12	1	Cover, rotorcase, Plain	9630046119
	1	Cover, rotorcase, Drilled for jacket	9630027764
	1	Cover, rotorcase, Relief valve	
See page 100			
13	4	Dome nut, rotorcase cover	9630024095
14	2	Retainer, seal	9630031375
15	6	Screw, seal retainer	9630030096
16	2	Lip seal, gland end, NBR (not for ATEX)	9630030622
	2	Lip seal, gland end, FPM	9630032796
17	2	Rotor, Trilobe Stainless Steel, 8 bar 70°C, SRU1/005	9630031989
	2	Rotor, Trilobe Stainless Steel, 8 bar 130°C, SRU1/005	9630031990
	2	Rotor, Trilobe Stainless Steel, 8 bar 200°C, SRU1/005	9630031991
	2	Rotor, Bilobe Stainless Steel, 8 bar 70°C, SRU1/005	9630090563
	2	Rotor, Bilobe Stainless Steel, 8 bar 130°C, SRU1/005	9630090564
	2	Rotor, Bilobe Stainless Steel, 8 bar 200°C, SRU1/005	9630090589
	2	Rotor, Bilobe non-galling, 8 bar 70°C, SRU1/005	9630090474
	2	Rotor, Bilobe non-galling, 8 bar 130°C, SRU1/005	9630090475
	2	Rotor, Bilobe non-galling, 8 bar 200°C, SRU1/005	9630090476
	2	Rotor, Trilobe, NBR covered, SRU1/005	9630031495
	2	Rotor, Trilobe Stainless Steel, 5 bar 70°C, SRU1/008	9630031995
	2	Rotor, Trilobe Stainless Steel, 5 bar 130°C, SRU1/008	9630031996
	2	Rotor, Trilobe Stainless Steel, 5 bar 200°C, SRU1/008	9630031997
	2	Rotor, Bilobe Stainless Steel, 5 bar 70°C, SRU1/008	9630090565
	2	Rotor, Bilobe Stainless Steel, 5 bar 130°C, SRU1/008	9630090566
	2	Rotor, Bilobe Stainless Steel, 5 bar 200°C, SRU1/008	9630090567
	2	Rotor, Bilobe non-galling, 5 bar 70°C, SRU1/008	9630090478
	2	Rotor, Bilobe non-galling, 5 bar 130°C, SRU1/008	9630090479
	2	Rotor, Bilobe non-galling, 5 bar 200°C, SRU1/008	9630090481
	2	Rotor, Trilobe, NBR covered, SRU1/008	9630031497
18	▲●	2 O-Ring, rotor sealing shaft end, (St.Stl rotor), NBR	9630044558
	▲●	2 O-Ring, rotor sealing shaft end, (St.Stl rotor), FPM	9630044557
	▲●	2 O-Ring, rotor sealing shaft end, (St.Stl rotor), EPDM	9630046208
	▲●	2 O-Ring, rotor sealing shaft end, (St.Stl rotor), PTFE	9630046212
19	▲●	2 O-Ring, rotor sealing shaft end, (NBR covered rotor), NBR	9630044558
	▲●	2 O-Ring, rotor sealing shaft end (NBR covered rotor), FPM	9630044557
	▲●	2 O-Ring, rotor sealing shaft end (NBR covered rotor), EPDM	9630046208
20	▲●	2 O-Ring, rotor sealing nut end, NBR	9630046204
	▲●	2 O-Ring, rotor sealing nut end, FPM	9630046205
	▲●	2 O-Ring, rotor sealing nut end, EPDM	9630046206
	▲●	2 O-Ring, rotor sealing nut end, PTFE	9630046207
22	2	Nut, rotor retention, SRU1/005	9630045826
	2	Nut, rotor retention, SRU1/008	9630045828
23	1	Key	9630031498
24	1	Shaft, drive, (Duplex), R90	9630033399
	1	Shaft, drive, (Duplex), Hyclean	9630052964



SRU-1 Rotary Lobe Pumps

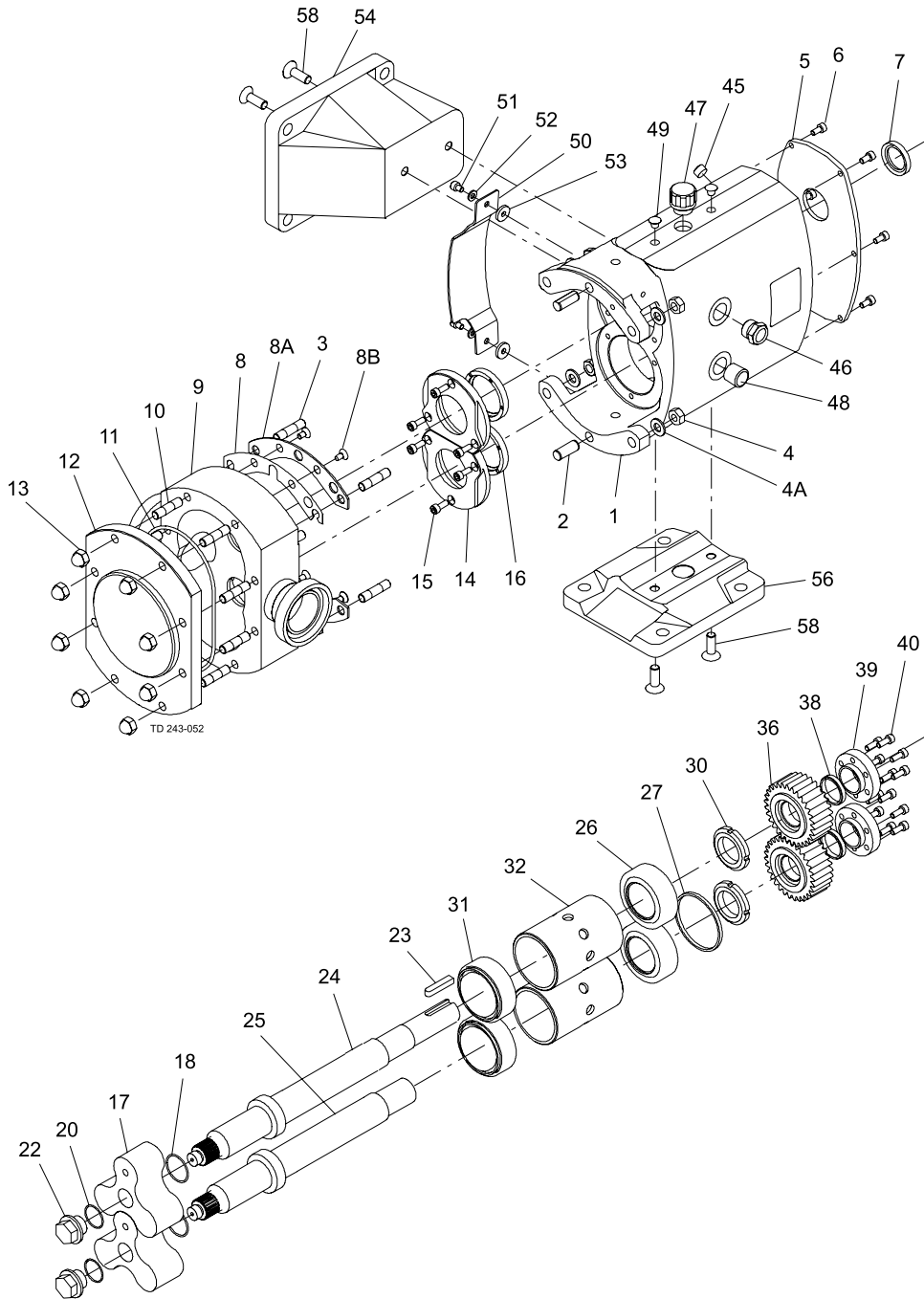
Pos	Qty	Denomination	Item No.
25	1	Shaft, auxiliary, (Duplex) R90	9630033401
	1	Shaft, auxiliary, (Duplex) Hyclean	9630052961
26	2	Bearing, rear	9630029026
27	1	Spacer, shaft abutment	9630032664
30	2	Nut, bearing	9630029135
31	2	Bearing, front	9630029026
32	2	Spacer, bearing	9630033403
36	2	Timing gear	9630031258
38	2	Torque locking element	9630025151
39	2	Clamp plate	9630031371
40	12	Screw, clamp plate	9630030096
45	2	Drain plug	9630023546
46	1	Sight glass, - standard (for ATEX pump see 'ATEX Parts')	9630032778
47	1	Filler plug, - standard (for ATEX pump see 'ATEX Parts')	9630018599
48	2	Plug	9630023548
49	4	Blanking plug	9630089950
50	2	Gland Guard, - R90 / Hyclean Seal	9630999522
	2	Gland Guard, - Hyclean Flushed Seal	9630652056
51	4	Screw, gland guard	9630050533
53	4	Washer, gland guard	9630924711
54	1	Foot, vertical port	9630070562
56	1	Foot, horizontal port	9630070561
58	2	Bolt, Foot	9630074795



SRU-2 Rotary Lobe Pumps

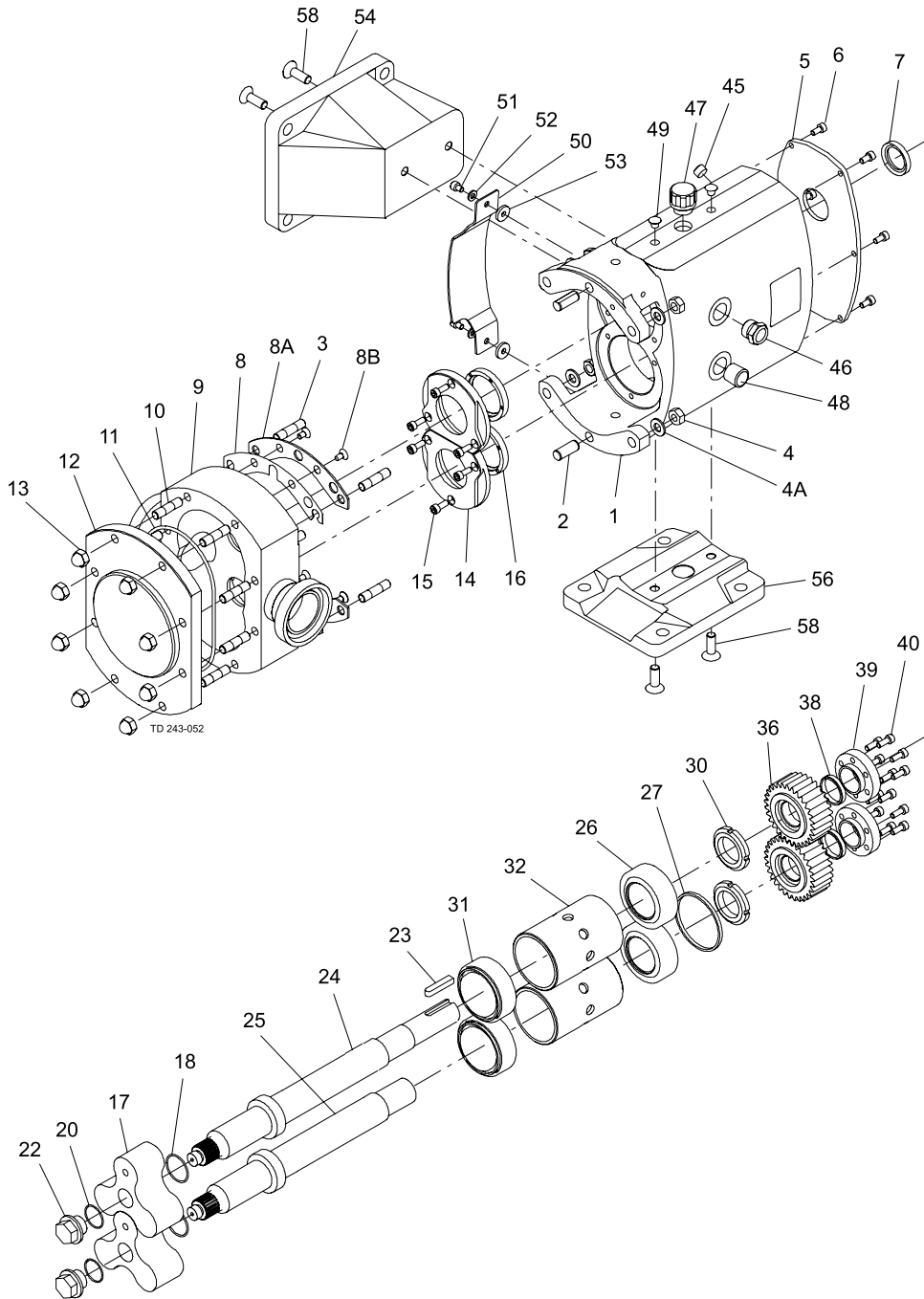
Pos	Qty	Denomination	Item No.
1	1	Gearcase, AL Blue	9630094199
2	2	Dowel	9630030093
3	4	Stud, rotorcase retention	9630052261
4	4	Nut, rotorcase retention	9630024051
4a	4	Washer, rotorcase retention	9630024233
5	1	Cover, gearcase	9630087567
6	6	Screw, gearcase cover	9630030096
7	1	Lip seal, drive end, NBR (not for ATEX)	9630040403
	1	Lip seal, drive end, FPM	9630032807
8	2	Shim, Polymex (not for ATEX)	9630034199
	2	Shim, St.Stl	9630034201
8a	2	Shim retainer	9630089541
8b	4	Screw, shim retainer	9630050533
9	1	Rotorcase	
See page 40-52			
10	4	Stud, rotorcase/cover retention	9630024086
11	▲	1 O-Ring, cover, - plain, NBR	9630023379
	▲	1 O-Ring, cover, - plain, FPM	9630023462
	▲	1 O-Ring, cover, - plain, EPDM	9630023540
	▲	1 O-Ring, cover, - plain, PTFE	9630040636
	1	O-Ring, cover, - relief valve, NBR	9630030114
	1	O-Ring, cover, - relief valve, FPM	9630026029
	1	O-Ring, cover, - relief valve, EPDM	9630027285
	1	O-Ring, cover, - relief valve, PTFE	9630024882
12	1	Cover, rotorcase, Plain	9630046120
	1	Cover, rotorcase, Drilled for jacket	9630027767
	1	Cover, rotorcase, Relief valve	
See page 100			
13	4	Dome nut, rotorcase cover	9630029651
14	2	Retainer, seal	9630031405
15	6	Screw, seal retainer	9630024595
16	2	Lip seal, gland end, NBR (not for ATEX)	9630030623
	2	Lip seal, gland end, FPM	9630032797
17	2	Rotor, Trilobe Stainless Steel, 10 bar 70°C, SRU2/013/LS-HS	9630046723
	2	Rotor, Trilobe Stainless Steel, 10 bar 130°C, SRU2/013/LS-HS	9630040081
	2	Rotor, Trilobe Stainless Steel, 10 bar 200°C, SRU2/013/LS-HS	9630047747
	2	Rotor, Trilobe Stainless Steel, 15 bar 70°C, SRU2/013/LD-HD	9630046603
	2	Rotor, Trilobe Stainless Steel, 15 bar 130°C, SRU2/013/LD-HD	9630047748
	2	Rotor, Trilobe Stainless Steel, 15 bar 200°C, SRU2/013/LD-HD	9630047749
	2	Rotor, Bilobe Stainless Steel, 10 bar 70°C, SRU2/013/LS-HS	9630090571
	2	Rotor, Bilobe Stainless Steel, 10 bar 130°C, SRU2/013/LS-HS	9630090572
	2	Rotor, Bilobe Stainless Steel, 10 bar 200°C, SRU2/013/LS-HS	9630090573
	2	Rotor, Bilobe Stainless Steel, 15 bar 70°C, SRU2/013/LD-HD	9630090574
	2	Rotor, Bilobe Stainless Steel, 15 bar 130°C, SRU2/013/LD-HD	9630090575
	2	Rotor, Bilobe Stainless Steel, 15 bar 200°C, SRU2/013/LD-HD	9630090576
	2	Rotor, Bilobe non-galling, 10 bar 70°C, SRU2/013/LS-HS	9630090482
	2	Rotor, Bilobe non-galling, 10 bar 130°C, SRU2/013/LS-HS	9630090483
	2	Rotor, Bilobe non-galling, 10 bar 200°C, SRU2/013/LS-HS	9630090484
	2	Rotor, Bilobe non-galling, 15 bar 70°C, SRU2/013/LD-HD	9630090485
	2	Rotor, Bilobe non-galling, 15 bar 130°C, SRU2/013/LD-HD	9630090486
	2	Rotor, Bilobe non-galling, 15 bar 200°C, SRU2/013/LD-HD	9630090487
	2	Rotor, Trilobe, NBR covered, SRU2/013	9630031481
	2	Rotor, Trilobe Stainless Steel, 7 bar 70°C, SRU2/018/LS-HS	9630047243
	2	Rotor, Trilobe Stainless Steel, 7 bar 130°C, SRU2/018/LS-HS	9630043480
	2	Rotor, Trilobe Stainless Steel, 7 bar 200°C, SRU2/018/LS-HS	9630047751
	2	Rotor, Trilobe Stainless Steel, 10 bar 70°C, SRU2/018/LD-HD	9630048049
	2	Rotor, Trilobe Stainless Steel, 10 bar 130°C, SRU2/018/LD-HD	9630048050
	2	Rotor, Trilobe Stainless Steel, 10 bar 200°C, SRU2/018/LD-HD	9630048051

2	Rotor, Bilobe Stainless Steel, 7 bar 70°C, SRU2/018/LS-HS	9630090577
2	Rotor, Bilobe Stainless Steel, 7 bar 130°C, SRU2/018/LS-HS	9630090578
2	Rotor, Bilobe Stainless Steel, 7 bar 200°C, SRU2/018/LS-HS	9630090579
2	Rotor, Bilobe Stainless Steel, 10 bar 70°C, SRU2/018/LD-HD	9630090599
2	Rotor, Bilobe Stainless Steel, 10 bar 130°C, SRU2/018 ...	9630090580
2	Rotor, Bilobe Stainless Steel, 10 bar 200°C, SRU2/018 ...	9630099560
2	Rotor, Bilobe non-galling, 7 bar 70°C, SRU2/018/LS-HS	9630090488
2	Rotor, Bilobe non-galling, 7 bar 130°C, SRU2/018	9630090489
2	Rotor, Bilobe non-galling, 7 bar 200°C, SRU2/018	9630090490
2	Rotor, Bilobe non-galling, 10 bar 70°C, SRU2/018/LD-HD	9630090491
2	Rotor, Bilobe non-galling, 10 bar 130°C, SRU2/018	9630090492
2	Rotor, Bilobe non-galling, 10 bar 200°C, SRU2/018	9630090493
2	Rotor, Trilobe, NBR covered, SRU2/018	9630031483



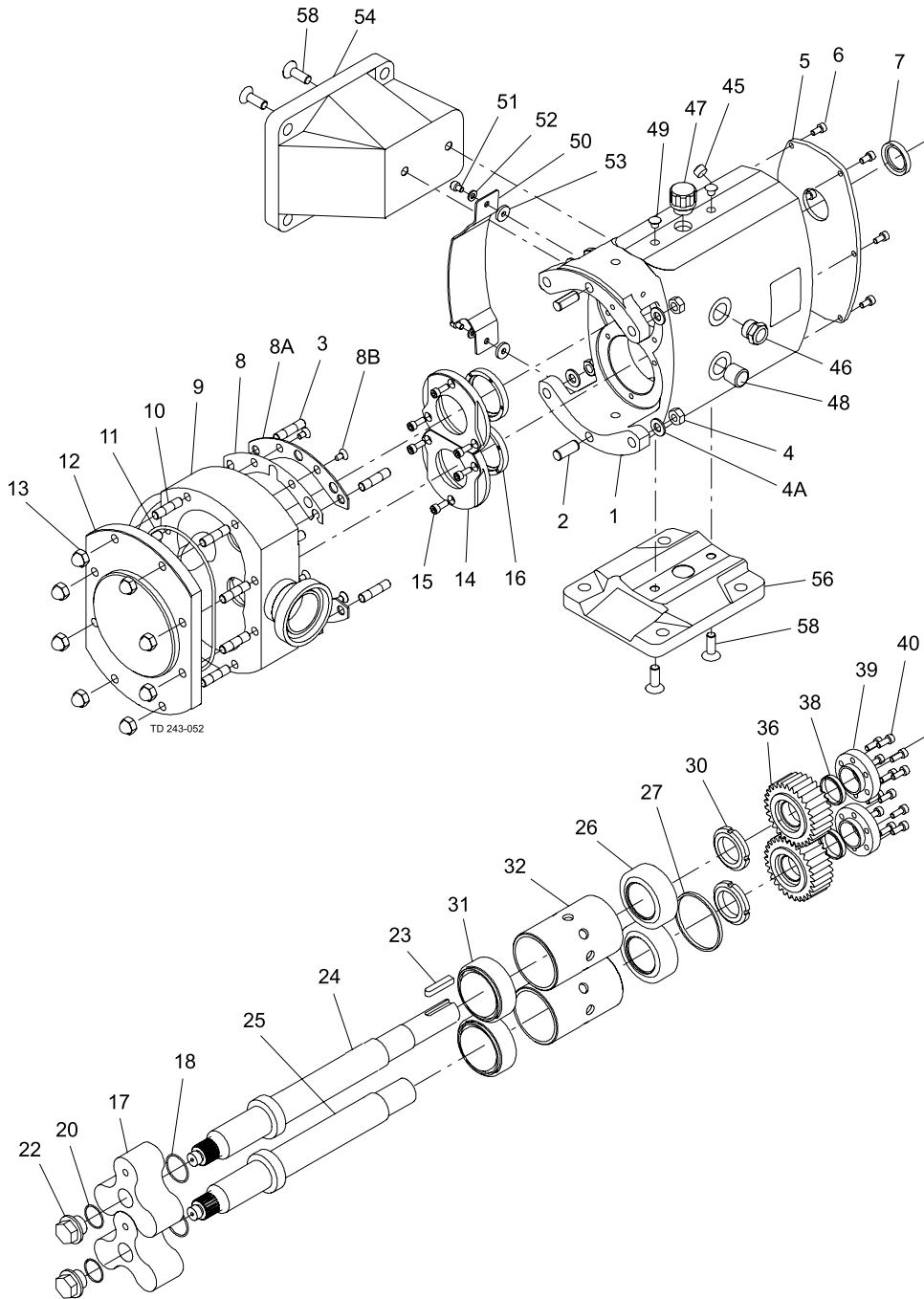
SRU-2 Rotary Lobe Pumps

Pos	Qty	Denomination	Item No.
18	▲●	2 O-Ring, rotor sealing shaft end, (St.Stl rotor) NBR	9630046452
	▲●	2 O-Ring, rotor sealing shaft end, (St.Stl rotor) FPM	9630046453
	▲●	2 O-Ring, rotor sealing shaft end, (St.Stl rotor) EPDM	9630046455
	▲●	2 O-Ring, rotor sealing shaft end, (St.Stl rotor) PTFE	9630046454
20	▲●	2 O-Ring, rotor sealing nut end, NBR	9630031506
	▲●	2 O-Ring, rotor sealing nut end, FPM	9630046186
	▲●	2 O-Ring, rotor sealing nut end, EPDM	9630046187
	▲●	2 O-Ring, rotor sealing nut end, PTFE	9630046188
22		2 Nut, rotor retention, SRU2/013	9630045830
		2 Nut, rotor retention, SRU2/018	9630045832
23		1 Key	9630023916
24		1 Shaft, drive, (St.Stl) R90	9630031389
		1 Shaft, drive, (St.Stl) Hyclean	9630046281
		1 Shaft, drive, (Duplex) R90	9630030029
		1 Shaft, drive, (Duplex) Hyclean	9630022632
25		1 Shaft, auxiliary, (St.Stl) R90	9630031391
		1 Shaft, auxiliary, (St.Stl) Hyclean	9630046255
		1 Shaft, auxiliary, (Duplex) R90	9630032000
		1 Shaft, auxiliary, (Duplex) Hyclean	9630046257
26		2 Bearing, rear	9630029028
27		1 Spacer, shaft abutment	9630032678
30		2 Nut, bearing	9630029136
31		2 Bearing, front	9630029028
32		2 Spacer, bearing	9630031409
36		2 Timing gear	9630031260
38		2 Torque locking element	9630030115
39		2 Clamp plate	9630031407
40		12 Screw, clamp plate	9630024595
45		2 Drain plug	9630023546
46		1 Sight glass, - standard (for ATEX pump see 'ATEX Parts')	9630032778
47		1 Filler plug, - standard (for ATEX pump see 'ATEX Parts')	9630018599
48		2 Plug	9630023548
49		4 Blanking plug	9630087278
50		2 Gland Guard, - R90 / Hyclean Seal	9630999523
		2 Gland Guard, - R90 Flushed Seal	9630652101
		2 Gland Guard, - Hyclean Flushed Seal	9630652057
51		4 Screw, gland guard	9630050533
53		4 Washer, gland guard	9630924711
54		1 Foot, vertical port, AL Blue	9630069904
56		1 Foot, horizontal port, AL Blue	9630069903
58		2 Bolt, Foot	9630074794



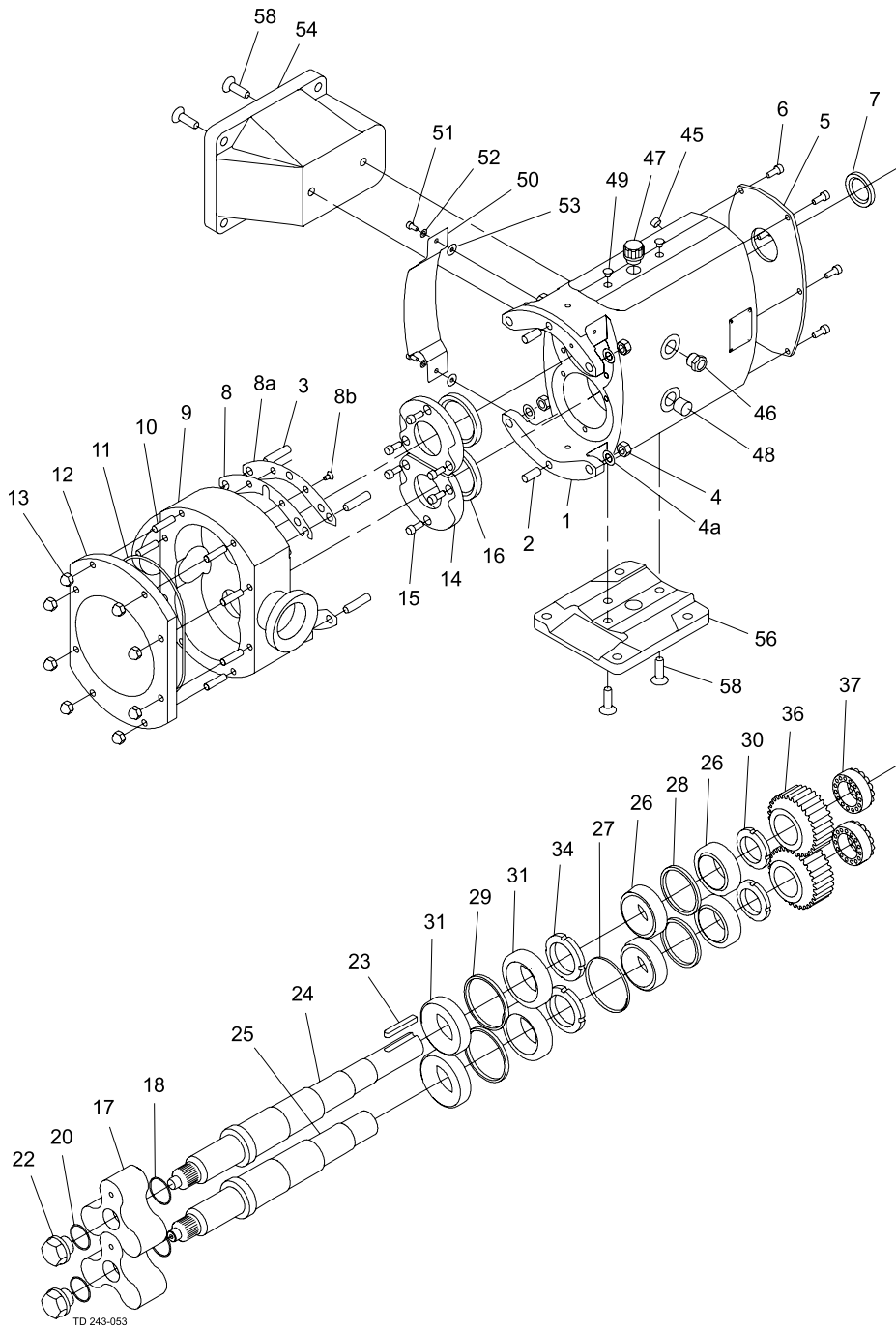
Pos	Qty	Denomination	Item No.
1	1	Gearcase, AL Blue	9630094201
2	2	Dowel	9630023461
3	4	Stud, rotorcase retention	9630027485
4	4	Nut, rotorcase retention	9630024051
4a	4	Washer, rotorcase retention	9630024233
5	1	Cover, gearcase	9630070039
6	6	Screw, gearcase cover	9630024595
7	1	Lip seal, drive end, NBR (not for ATEX)	9630023983
	1	Lip seal, drive end, FPM	9630032808
8	2	Shim, Polymex (not for ATEX)	9630034130
	2	Shim, St.Stl	9630034030
8a	2	Shim retainer	9630089542
8b	4	Screw, shim retainer	9630050533
9	1	Rotorcase	
See page 40-52			
10	8	Stud, rotorcase/cover retention, Std	9630027490
	4	Stud, rotorcase/cover retention, For rectangular inlet	9630022111
11	▲●	O-Ring, cover, - plain, NBR	9630046234
	▲●	O-Ring, cover, - plain, FPM	9630046235
	▲●	O-Ring, cover, - plain, EPDM	9630046236
	▲●	O-Ring, cover, - plain, PTFE	9630040637
	1	O-Ring, cover, - relief valve, NBR	9630030271
	1	O-Ring, cover, - relief valve, FPM	9630026048
	1	O-Ring, cover, - relief valve, EPDM	9630026951
	1	O-Ring, cover, - relief valve, PTFE	9630031555
12	1	Cover, rotorcase, Plain	9630046122
	1	Cover, rotorcase, For rectangular inlet	9630048101
	1	Cover, rotorcase, Drilled for jacket	9630027766
	1	Cover, rotorcase, Relief valve	
See page 100			
13	8	Dome nut, rotorcase cover, Std	9630029651
	4	Dome nut, rotorcase cover, For rectangular inlet	9630024088
14	2	Retainer, seal	9630025431
15	6	Screw, seal retainer	9630024595
16	2	Lip seal, gland end, NBR (not for ATEX)	9630030625
	2	Lip seal, gland end, FPM	9630032798
17	2	Rotor, Trilobe Stainless Steel, 10 bar 70°C, SRU3/027/LS-HS	9630046726
	2	Rotor, Trilobe Stainless Steel, 10 bar 130°C, SRU3/027/LS-HS	9630032535
	2	Rotor, Trilobe Stainless Steel, 10 bar 200°C, SRU3/027/LS-HS	9630046365
	2	Rotor, Trilobe Stainless Steel, 15 bar 70°C, SRU3/027/LD-HD	9630047194
	2	Rotor, Trilobe Stainless Steel, 15 bar 130°C, SRU3/027/LD-HD	9630046354
	2	Rotor, Trilobe Stainless Steel, 15 bar 200°C, SRU3/027/LD-HD	9630047752
	2	Rotor, Bilobe Stainless Steel, 10 bar 70°C, SRU3/027/LS-HS	9630090584
	2	Rotor, Bilobe Stainless Steel, 10 bar 130°C, SRU3/027/LS-HS	9630090585
	2	Rotor, Bilobe Stainless Steel, 10 bar 200°C, SRU3/027/LS-HS	9630090586
	2	Rotor, Bilobe Stainless Steel, 15 bar 70°C, SRU3/027/LD-HD	9630090588
	2	Rotor, Bilobe Stainless Steel, 15 bar 130°C, SRU3/027/LD-HD	9630090589
	2	Rotor, Bilobe Stainless Steel, 15 bar 200°C, SRU3/027/LD-HD	9630090600
	2	Rotor, Bilobe non-galling, 10 bar 70°C, SRU3/027/LS-HS	9630090415
	2	Rotor, Bilobe non-galling, 10 bar 130°C, SRU3/027/LS-HS	9630090416
	2	Rotor, Bilobe non-galling, 10 bar 200°C, SRU3/027/LS-HS	9630090417
	2	Rotor, Bilobe non-galling, 15 bar 70°C, SRU3/027/LD-HD	9630090418
	2	Rotor, Bilobe non-galling, 15 bar 130°C, SRU3/027/LD-HD	9630090419
	2	Rotor, Bilobe non-galling, 15 bar 200°C, SRU3/027/LD-HD	9630090420
	2	Rotor, Trilobe, NBR covered, SRU3/027	9630021284
	2	Rotor, Trilobe Stainless Steel, 7 bar 70°C, SRU3/038/LS-HS	9630027757
	2	Rotor, Trilobe Stainless Steel, 7 bar 130°C, SRU3/038/LS-HS	9630039955
	2	Rotor, Trilobe Stainless Steel, 7 bar 200°C, SRU3/038/LS-HS	9630048052
	2	Rotor, Trilobe Stainless Steel, 10 bar 70°C, SRU3/038/LD-HD	9630047753

2	Rotor, Trilobe Stainless Steel, 10 bar 130°C, SRU3/038/LD-HD	9630048053
2	Rotor, Trilobe Stainless Steel, 10 bar 200°C, SRU3/038/LD-HD	9630048054
2	Rotor, Bilobe Stainless Steel, 7 bar 70°C, SRU3/038/LS-HS	9630090540
2	Rotor, Bilobe Stainless Steel, 7 bar 130°C	9630090539
2	Rotor, Bilobe Stainless Steel, 7 bar 200°C, SRU3/038/LS-HS	9630090542
2	Rotor, Bilobe Stainless Steel, 10 bar 70°C, SRU3/038/LD-HD	9630090544
2	Rotor, Bilobe Stainless Steel, 10 bar 130°C, SRU3/038/LD-HD	9630090545
2	Rotor, Bilobe Stainless Steel, 10 bar 200°C, SRU3/038/LD-HD	9630090546
2	Rotor, Bilobe non-galling, 7 bar 70°C, SRU3/038/LS-HS	9630090494
2	Rotor, Bilobe non-galling, 7 bar 130°C, SRU3/038/LS-HS	9630090495
2	Rotor, Bilobe non-galling, 7 bar 200°C, SRU3/038/LS-HS	9630090496
2	Rotor, Bilobe non-galling, 10 bar 70°C, SRU3/038/LD-HD	9630090497
2	Rotor, Bilobe non-galling, 10 bar 130°C, SRU3/038/LD-HD	9630090498
2	Rotor, Bilobe non-galling, 10 bar 200°C, SRU3/038/LD-HD	9630090499
2	Rotor, Trilobe, NBR covered, SRU3/038	9630026256



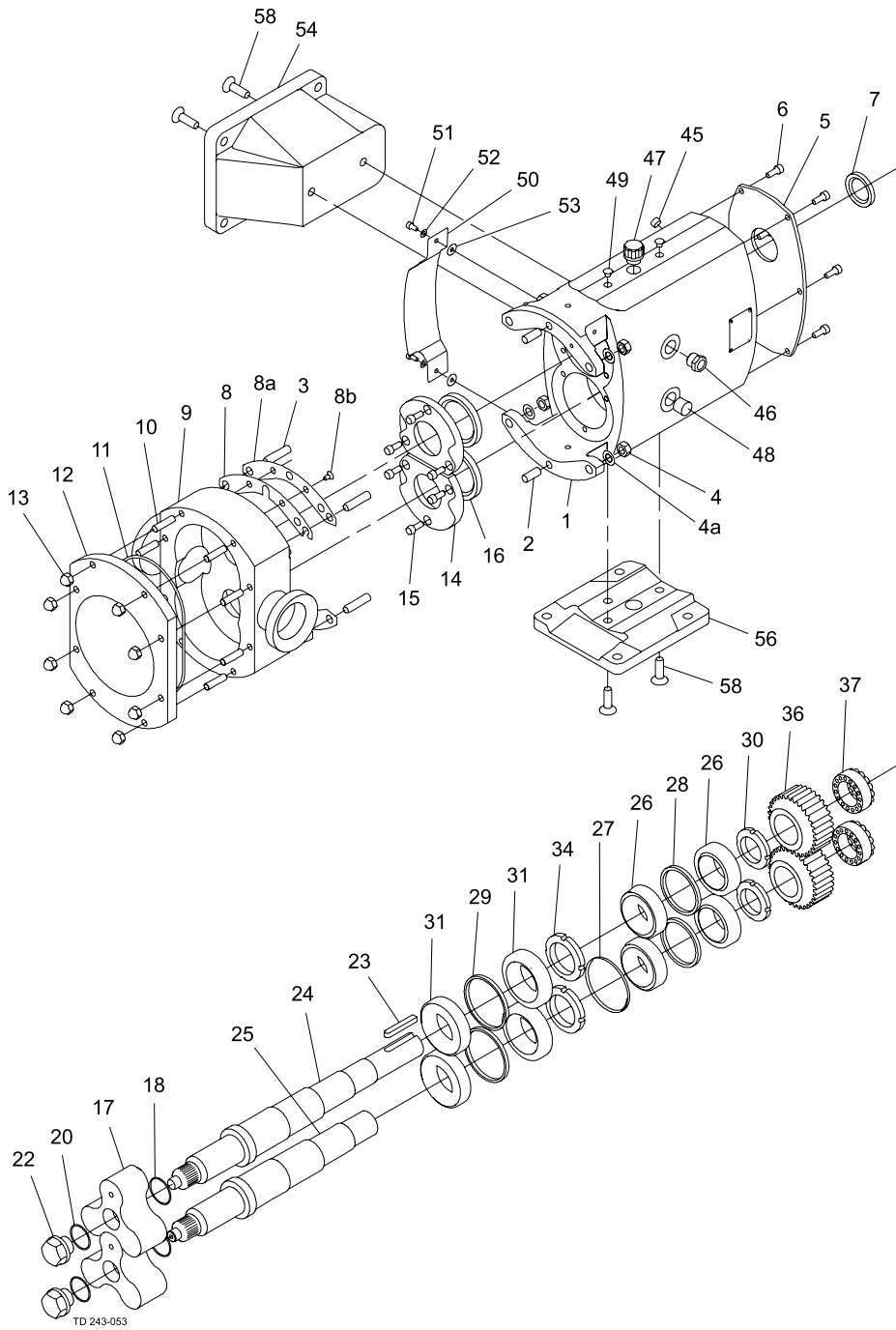
SRU-3 Rotary Lobe Pumps

Pos	Qty	Denomination	Item No.
18	▲●	2 O-Ring, rotor sealing shaft end, (St.Stl rotor) NBR	9630038950
	▲●	2 O-Ring, rotor sealing shaft end, (St.Stl rotor) FPM	9630038951
	▲●	2 O-Ring, rotor sealing shaft end, (St.Stl rotor) EPDM	9630038952
	▲●	2 O-Ring, rotor sealing shaft end, (St.Stl rotor) PTFE	9630046456
19	▲●	2 O-Ring, rotor sealing shaft end, (NBR covered rotor) NBR	9630029980
	▲●	2 O-Ring, rotor sealing shaft end, (NBR covered rotor) FPM	9630026280
	▲●	2 O-Ring, rotor sealing shaft end, (NBR covered rotor) EPDM	9630037533
20	▲●	2 O-Ring, rotor sealing nut end, NBR	9630031566
	▲●	2 O-Ring, rotor sealing nut end, FPM	9630046189
	▲●	2 O-Ring, rotor sealing nut end, EPDM	9630046190
	▲●	2 O-Ring, rotor sealing nut end, PTFE	9630046191
21		2 O-ring, rotor sealing nut end, EPDM	9630046190
22		2 Nut, rotor retention, SRU3/027	9630046130
		2 Nut, rotor retention, SRU3/038	9630046138
23		1 Key	9630031499
24		1 Shaft, drive, (St.Stl) R90	9630033130
		1 Shaft, drive, (St.Stl) Hyclean	9630046282
		1 Shaft, drive, (Duplex) R90	9630043091
		1 Shaft, drive, (Duplex) Hyclean	9630026038
25		1 Shaft, auxiliary, (St.Stl) R90	9630033127
		1 Shaft, auxiliary, (St.Stl) Hyclean	9630046260
		1 Shaft, auxiliary, (Duplex) R90	9630043090
		1 Shaft, auxiliary, (Duplex) Hyclean	9630046262
26		2 Bearing, rear	9630029030
27		1 Spacer, shaft abutment	9630032683
30		2 Nut, bearing	9630029137
31		2 Bearing, front	9630029030
32		2 Spacer, bearing	9630029695
36		2 Timing gear, St.Stl shaft	9630028272
		2 Timing gear, Duplex shaft	9630027688
38		2 Torque locking element, St.Stl shaft	9630030273
		4 Torque locking element, Duplex shaft	9630030273
39		2 Clamp plate	9630029175
40		12 Screw, clamp plate	9630024591
45		2 Drain plug	9630023546
46		1 Sight glass, - standard (for ATEX pump see 'ATEX Parts')	9630032778
47		1 Filler plug, - standard (for ATEX pump see 'ATEX Parts')	9630018599
48		2 Plug	9630023548
49		4 Blanking plug	9630087278
50		2 Gland Guard, - R90 / Hyclean Seal	9630999524
		2 Gland Guard, - R90 Flushed Seal	9630652102
		2 Gland Guard, - Hyclean Flushed Seal	9630652058
51		4 Screw, gland guard	9630030332
52		4 Washer, gland guard	9630030121
53		4 Washer, gland guard	9630924711
54		1 Foot, vertical port, AL Blue	9630125239
56		1 Foot, horizontal port, AL Blue	9630070492
58		2 Bolt, Foot	9630074776



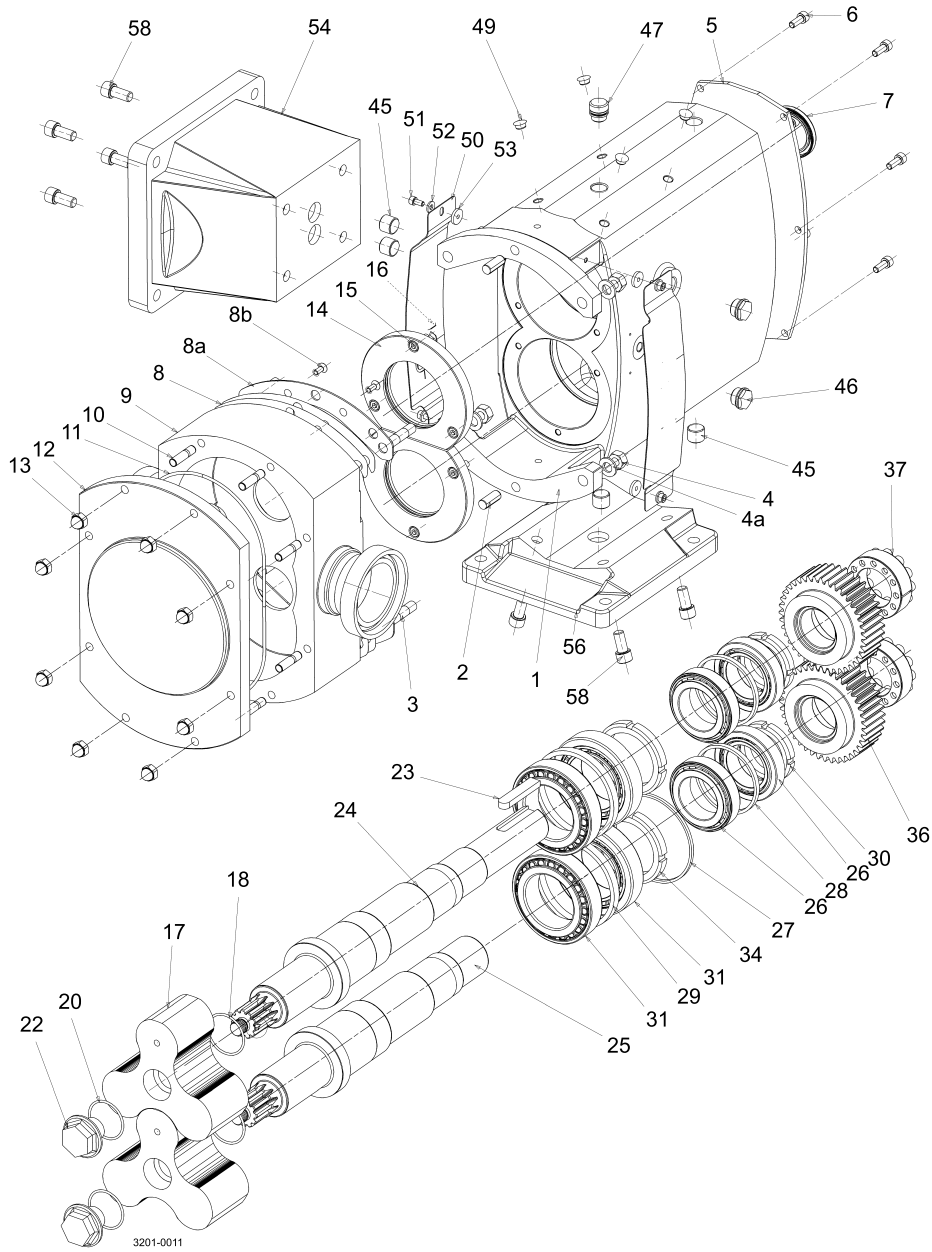
Pos	Qty	Denomination	Item No.
1	1	Gearcase, AL Blue	9630094202
2	2	Dowel	9630023461
3	4	Stud, rotorcase retention	9630052265
4	4	Nut, rotorcase retention	9630024053
4a	4	Washer, rotorcase retention	9630024236
5	1	Cover, gearcase	9630087616
6	6	Screw, gearcase cover	9630024629
7	1	Lip seal, drive end, NBR (not for ATEX)	9630030624
	1	Lip seal, drive end, FPM	9630032809
8	2	Shim, Polymex (not for ATEX)	9630033702
	2	Shim, St.Stl	9630033704
8a	2	Shim retainer	9630089543
8b	4	Screw, shim retainer	9630050533
9	1	Rotorcase	
See page 40-52			
10	8	Stud, rotorcase/cover retention	9630019863
11	▲▲	1 O-Ring, cover, - plain, NBR	9630046177
	▲▲	1 O-Ring, cover, - plain, FPM	9630037519
	▲▲	1 O-Ring, cover, - plain, EPDM	9630046178
	▲▲	1 O-Ring, cover, - plain, PTFE	9630026547
	1	O-Ring, cover, - relief valve, NBR	9630029958
	1	O-Ring, cover, - relief valve, FPM	9630026117
	1	O-Ring, cover, - relief valve, EPDM	9630019861
	1	O-Ring, cover, - relief valve, PTFE	9630031556
12	1	Cover, rotorcase, Plain	9630046124
	1	Cover, rotorcase, Drilled for jacket	9630030268
	1	Cover, rotorcase, Relief valve	
See page 100			
13	8	Dome nut, rotorcase cover	9630029651
14	2	Retainer, seal	9630028443
15	6	Screw, seal retainer	9630024629
16	2	Lip seal, gland end, NBR (not for ATEX)	9630030627
	2	Lip seal, gland end, FPM	9630032800
17	2	Rotor, Trilobe Stainless Steel, 10 bar 70°C, SRU4/055/ LS-HS	9630046158
	2	Rotor, Trilobe Stainless Steel, 10 bar 130°C, SRU4/055/ LS-HS	9630044012
	2	Rotor, Trilobe Stainless Steel, 10 bar 200°C, SRU4/055/ LS-HS	9630046289
	2	Rotor, Trilobe Stainless Steel, 20 bar 70°C, SRU4/055/ LD-HD	9630034398
	2	Rotor, Trilobe Stainless Steel, 20 bar 130°C, SRU4/055/ LD-HD	9630046964
	2	Rotor, Trilobe Stainless Steel, 20 bar 200°C, SRU4/055/ LD-HD	9630046996
	2	Rotor, Bilobe Stainless Steel, 10 bar 70°C, SRU4/055/ LS-HS	9630090601
	2	Rotor, Bilobe Stainless Steel, 10 bar 130°C, SRU4/055/ LS-HS	9630090603
	2	Rotor, Bilobe Stainless Steel, 10 bar 200°C, SRU4/055/ LS-HS	9630090604
	2	Rotor, Bilobe Stainless Steel, 20 bar 70°C, SRU4/055/ LD-HD	9630090605
	2	Rotor, Bilobe Stainless Steel, 20 bar 130°C, SRU4/055/ LD-HD	9630090606
	2	Rotor, Bilobe Stainless Steel, 20 bar 200°C, SRU4/055/ LD-HD	9630090607
	2	Rotor, Bilobe non-galling, 10 bar 70°C, SRU4/055/ LS-HS	9630090500
	2	Rotor, Bilobe non-galling, 10 bar 130°C, SRU4/055/ LS-HS	9630090501
	2	Rotor, Bilobe non-galling, 10 bar 200°C, SRU4/055/ LS-HS	9630090502
	2	Rotor, Bilobe non-galling, 20 bar 70°C, SRU4/055/ LD-HD	9630090503
	2	Rotor, Bilobe non-galling, 20 bar 130°C, SRU4/055/ LD-HD	9630090504
	2	Rotor, Bilobe non-galling, 20 bar 200°C, SRU4/055/ LD-HD	9630090505
	2	Rotor, Trilobe, NBR covered, SRU4/055	9630027382
	2	Rotor, Trilobe Stainless Steel, 7 bar 70°C, SRU4/079/ LS-HS	9630046159
	2	Rotor, Trilobe Stainless Steel, 7 bar 130°C, SRU4/079/ LS-HS	9630039235
	2	Rotor, Trilobe Stainless Steel, 7 bar 200°C, SRU4/079/ LS-HS	9630028324
	2	Rotor, Trilobe Stainless Steel, 15 bar 70°C, SRU4/079/ LD-HD	9630018802
	2	Rotor, Trilobe Stainless Steel, 15 bar 130°C, SRU4/079/ LD-HD	9630048055

2	Rotor, Trilobe Stainless Steel, 15 bar 200°C, SRU4/079/ LD-HD	9630048056
2	Rotor, Bilobe Stainless Steel, 7 bar 70°C, SRU4/079/LS-HS	9630090608
2	Rotor, Bilobe Stainless Steel, 7 bar 130°C, SRU4/079/LS-HS	9630090609
2	Rotor, Bilobe Stainless Steel, 7 bar 200°C, SRU4/079/LS-HS	9630090610
2	Rotor, Bilobe Stainless Steel, 15 bar 70°C, SRU4/079/LD-HD	9630090611
2	Rotor, Bilobe Stainless Steel, 15 bar 130°C, SRU4/079/LD-HD	9630090612
2	Rotor, Bilobe Stainless Steel, 15 bar 200°C, SRU4/079/LD-HD	9630090613
2	Rotor, Bilobe Stainless Steel, 7 bar 70°C, SRU4/079/LS-HS	9630090506
2	Rotor, Bilobe Stainless Steel, 7 bar 130°C, SRU4/079/LS-HS	9630090507
2	Rotor, Bilobe Stainless Steel, 7 bar 200°C, SRU4/079/LS-HS	9630090508
2	Rotor, Bilobe Stainless Steel, 15 bar 70°C, SRU4/079/LD-HD	9630090509
2	Rotor, Bilobe Stainless Steel, 15 bar 130°C, SRU4/079/LD-HD	9630090510
2	Rotor, Bilobe Stainless Steel, 15 bar 200°C, SRU4/079/LD-HD	9630090511
2	Rotor, Trilobe, NBR covered, SRU4/079	9630027172



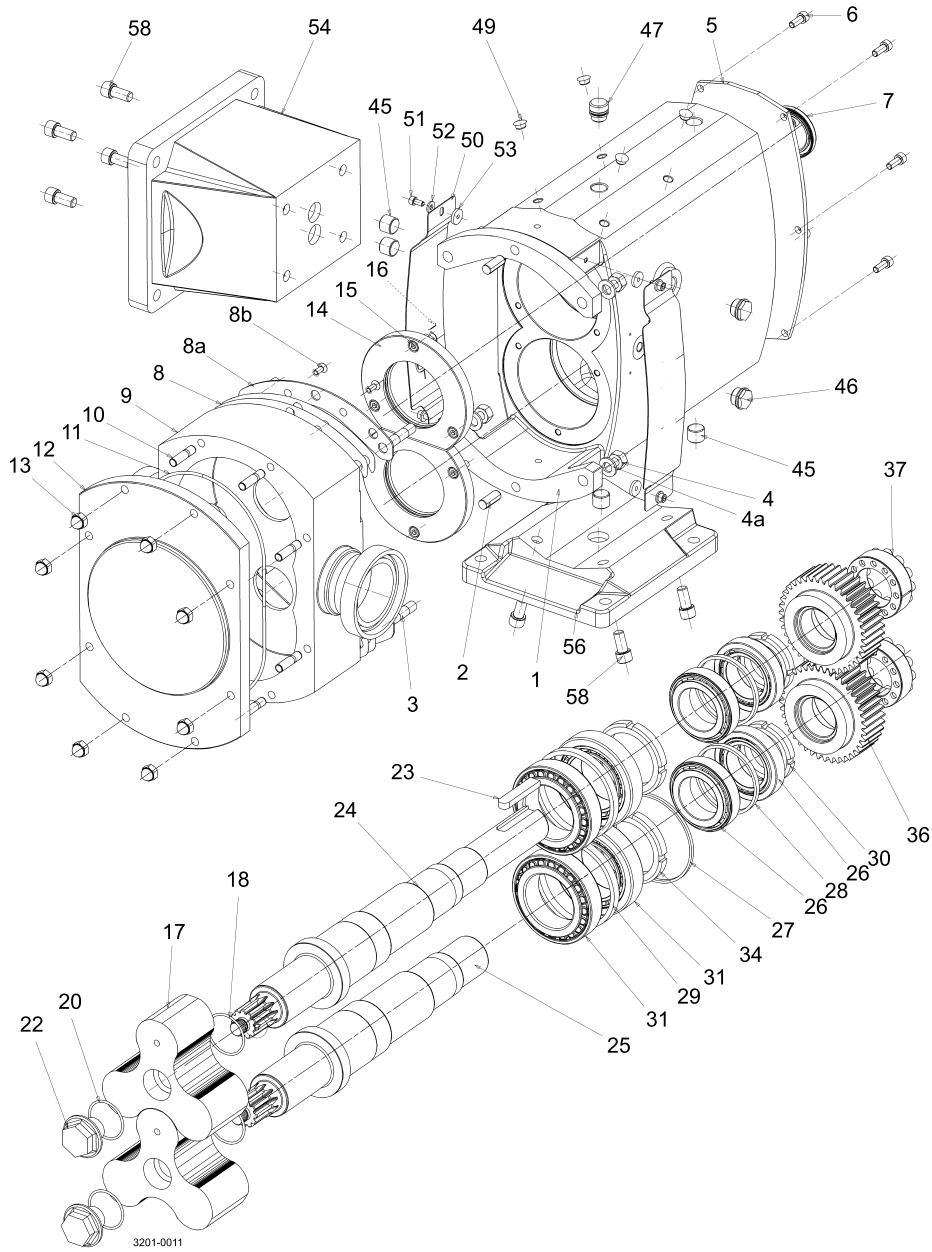
SRU-4 Rotary Lobe Pumps

Pos	Qty	Denomination	Item No.
18	▲●	2 O-Ring, rotor sealilng shaft end, (St.Stl rotor) NBR	9630046196
	▲●	2 O-Ring, rotor sealilng shaft end, (St.Stl rotor) FPM	9630038931
	▲●	2 O-Ring, rotor sealilng shaft end, (St.Stl rotor) EPDM	9630046197
	▲●	2 O-Ring, rotor sealilng shaft end, (St.Stl rotor) FEP Enc.. .	9630046198
19	▲●	2 O-Ring, rotor sealilng shaft end, (NBR covered rotor) NBR	9630029979
	▲●	2 O-Ring, rotor sealilng shaft end, (NBR covered rotor) FPM	9630027953
	▲●	2 O-Ring, rotor sealilng shaft end, (NBR covered rotor) EPDM	9630029383
20	▲●	2 O-Ring, rotor sealing nut end, NBR	9630046192
	▲●	2 O-Ring, rotor sealing nut end, FPM	9630046193
	▲●	2 O-Ring, rotor sealing nut end, EPDM	9630046194
	▲●	2 O-Ring, rotor sealing nut end, PTFE	9630046195
22		2 Nut, rotor retention, SRU4/055	9630046132
		2 Nut, rotor retention, SRU4/079	9630046140
23		1 Key	9630023932
24		1 Shaft, drive, (St.Stl) R90	9630031042
		1 Shaft, drive, (St.Stl) Hyclean	9630046283
		1 Shaft, drive, (Duplex) R90	9630031045
		1 Shaft, drive, (Duplex) Hyclean	9630046276
25		1 Shaft, auxiliary, (St.Stl) R90	9630031044
		1 Shaft, auxiliary, (St.Stl) Hyclean	9630046265
		1 Shaft, auxiliary, (Duplex) R90	9630031046
		1 Shaft, auxiliary, (Duplex) Hyclean	9630046267
26		4 Bearing, rear	9630029032
27		1 Spacer, shaft abutment	9630035207
28		2 Spacer, bearing drive end	9630027142
29		2 Spacer, bearing gland end	9630031175
30		2 Nut, bearing rear	9630029138
31		4 Bearing, front	9630029034
34		2 Nut, bearing front	9630024100
36		2 Timing gear	9630019630
37		2 Torque locking assembly	9630024451
45		2 Drain plug	9630023546
46		1 Sight glass, - standard (for ATEX pump see 'ATEX Parts')	9630032778
47		1 Filler plug, - standard (for ATEX pump see 'ATEX Parts')	9630018599
48		2 Plug	9630023548
49		4 Blanking plug	9630089949
50		2 Gland guard, - R90 / Hyclean Seal	9630999525
		2 Gland Guard, - R90 Flushed Seal	9630652103
		2 Gland Guard, - Hyclean Flushed Seal	9630652059
51		4 Screw, gland guard	9630030332
52		4 Washer, gland guard	9630924711
53		4 Washer, gland guard	9630924711
54		1 Foot, vertical port, AL Blue	9630070366
56		1 Foot, horizontal port, AL Blue	9630070368
58		2 Bolt, Foot	9630074775

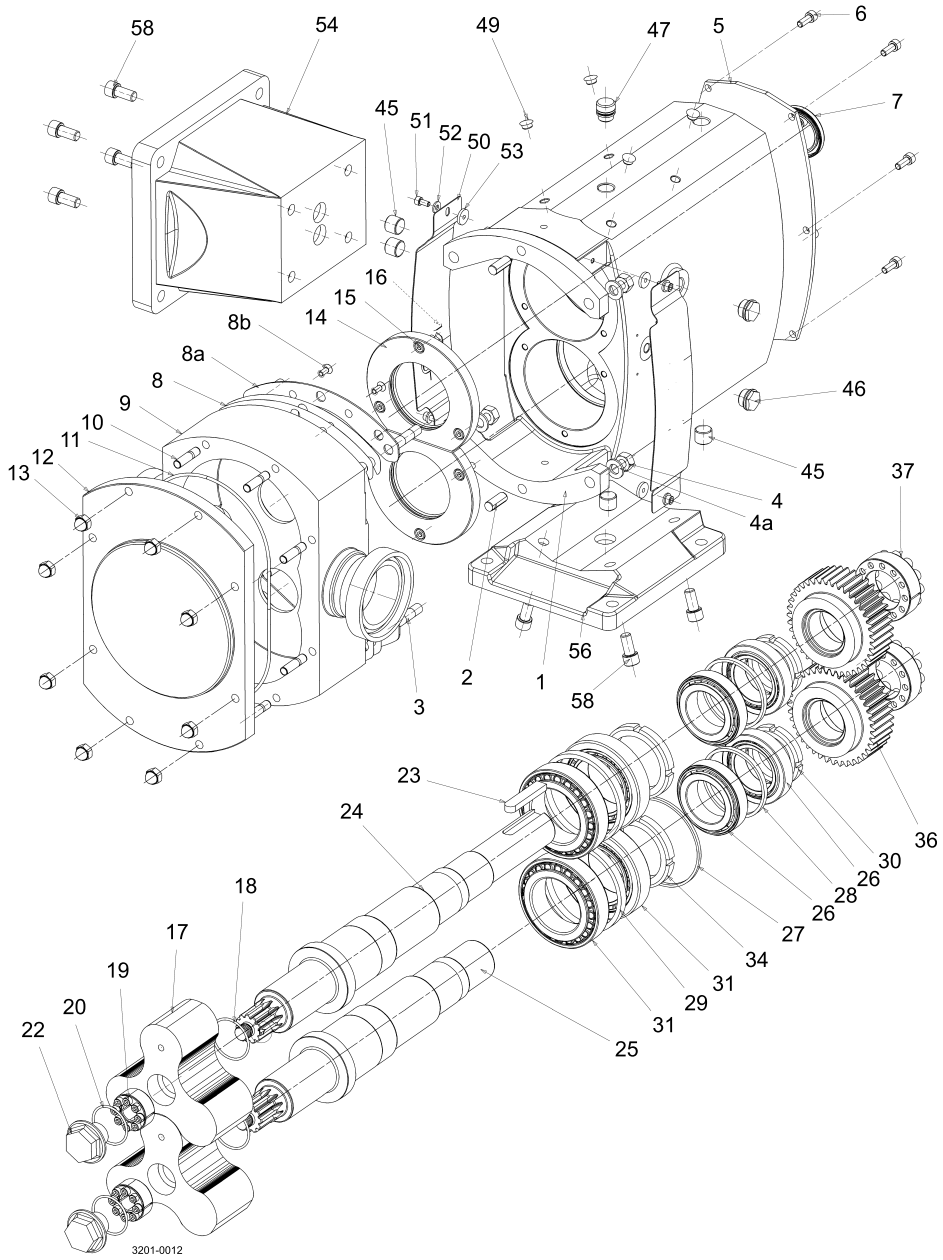


Pos	Qty	Denomination	Item No.
1	1	Gearcase, AL Blue	9630070601
2	2	Dowel	9630023461
3	4	Stud, rotorcase retention	9630052265
4	4	Nut, rotorcase retention	9630024053
4a	4	Washer, rotorcase retention	9630024236
5	1	Cover, gearcase	9630666640
6	6	Screw, gearcase cover	9630024629
7	1	Lip seal, drive end, NBR (not for ATEX)	9630023996
	1	Lip seal, drive end, FPM	9630032810
8	2	Shim, Polymex (not for ATEX)	9630033860
	2	Shim, St.Stl	9630033411
8a	2	Shim retainer	9630089544
8b	4	Screw, shim retainer	9630050533
9	1	Rotorcase	
See page 40-52			
10	8	Stud, rotorcase/cover retention	9630019863
11	▲●	1 O-Ring, cover, - plain, NBR	9630046179
	▲●	1 O-Ring, cover, - plain, FPM	9630046180
	▲●	1 O-Ring, cover, - plain, EPDM	9630046181
	▲●	1 O-Ring, cover, - plain, PTFE	9630022526
	1	O-Ring, cover, - relief valve, NBR	9630029652
	1	O-Ring, cover, - relief valve, FPM	9630028410
	1	O-Ring, cover, - relief valve, EPDM	9630027380
	1	O-Ring, cover, - relief valveP, TFE	9630031557
12	1	Cover, rotorcase, Plain	9630046126
	1	Cover, rotorcase, Drilled for jacket	9630027765
	1	Cover, rotorcase, Relief valve	
See page 100			
13	8	Dome nut, rotorcase cover	9630029651
14	2	Retainer, seal	9630026099
15	6	Screw, seal retainer	9630024629
16	2	Lip seal, gland end, NBR (not for ATEX)	9630030630
	2	Lip seal, gland end, FPM	9630032802
17	2	Rotor, Trilobe Stainless Steel, 10 bar 70°C, SRU5/116/ LS	9630046161
	2	Rotor, Trilobe Stainless Steel, 10 bar 130°C, SRU5/116/ LS	9630047513
	2	Rotor, Trilobe Stainless Steel, 10 bar 200°C, SRU5/116/ LS	9630048057
	2	Rotor, Trilobe Stainless Steel, 20 bar 70°C, SRU5/116/ LD	9630046611
	2	Rotor, Trilobe Stainless Steel, 20 bar 130°C, SRU5/116/ LD	9630048058
	2	Rotor, Trilobe Stainless Steel, 20 bar 200°C, SRU5/116/ LD	9630048059
	2	Rotor, Bilobe Stainless Steel, 10 bar 70°C, SRU5/116/ LS	9630090615
	2	Rotor, Bilobe Stainless Steel, 10 bar 130°C, SRU5/116/ LS	9630090616
	2	Rotor, Bilobe Stainless Steel, 10 bar 200°C, SRU5/116/ LS	9630090617
	2	Rotor, Bilobe Stainless Steel, 20 bar 70°C, SRU5/116/ LD	9630090618
	2	Rotor, Bilobe Stainless Steel, 20 bar 130°C, SRU5/116/ LD	9630090619
	2	Rotor, Bilobe Stainless Steel, 20 bar 200°C, SRU5/116/ LD	9630090620
	2	Rotor, Bilobe non-galling, 10 bar 70°C, SRU5/116/ LS ..	9630090512
	2	Rotor, Bilobe non-galling, 10 bar 130°C, SRU5/116/ LS ..	9630090513
	2	Rotor, Bilobe non-galling, 10 bar 200°C, SRU5/116/ LS ..	9630090514
	2	Rotor, Bilobe non-galling, 20 bar 70°C, SRU5/116/ LD ..	9630090515
	2	Rotor, Bilobe non-galling, 20 bar 130°C, SRU5/116/ LD	9630090516
	2	Rotor, Bilobe non-galling, 20 bar 200°C, SRU5/116/ LD	9630090517
	2	Rotor, Trilobe, NBR covered, SRU5/116	9630021349
	2	Rotor, Trilobe Stainless Steel, 7 bar 70°C, SRU5/168/ LS	9630046162
	2	Rotor, Trilobe Stainless Steel, 7 bar 130°C, SRU5/168/ LS	9630035491
	2	Rotor, Trilobe Stainless Steel, 7 bar 200°C, SRU5/168/ LS	9630048060
	2	Rotor, Trilobe Stainless Steel, 15 bar 70°C, SRU5/168/ LD	9630046607
	2	Rotor, Trilobe Stainless Steel, 15 bar 130°C, SRU5/168/ LD	9630048061
	2	Rotor, Trilobe Stainless Steel, 15 bar 200°C, SRU5/168/ LD	9630048062
	2	Rotor, Bilobe Stainless Steel, 7 bar 70°C, SRU5/168/ LS ..	9630090621
	2	Rotor, Bilobe Stainless Steel, 7 bar 130°C, SRU5/168/ LS	9630090622
	2	Rotor, Bilobe Stainless Steel, 7 bar 200°C, SRU5/168/ LS	9630090623
	2	Rotor, Bilobe Stainless Steel, 15 bar 70°C, SRU5/168/ LD	9630090624
	2	Rotor, Bilobe Stainless Steel, 15 bar 130°C, SRU5/168/ LD	9630090625

2	Rotor, Bilobe Stainless Steel, 15 bar 200°C, SRU5/168/ LD	9630090626
2	Rotor, Bilobe non-galling, 7 bar 70°C, SRU5/168/ LS	9630090518
2	Rotor, Bilobe non-galling, 7 bar 130°C, SRU5/168/ LS ..	9630090519
2	Rotor, Bilobe non-galling, 7 bar 200°C, SRU5/168/ LS ..	9630090520
2	Rotor, Bilobe non-galling, 15 bar 70°C, SRU5/168/ LD ..	9630090521
2	Rotor, Bilobe non-galling, 15 bar 130°C, SRU5/168/ LD	9630090522
2	Rotor, Bilobe non-galling, 15 bar 200°C, SRU5/168/ LD	9630090523
2	Rotor, Trilobe, NBR covered, SRU5/168	9630022562



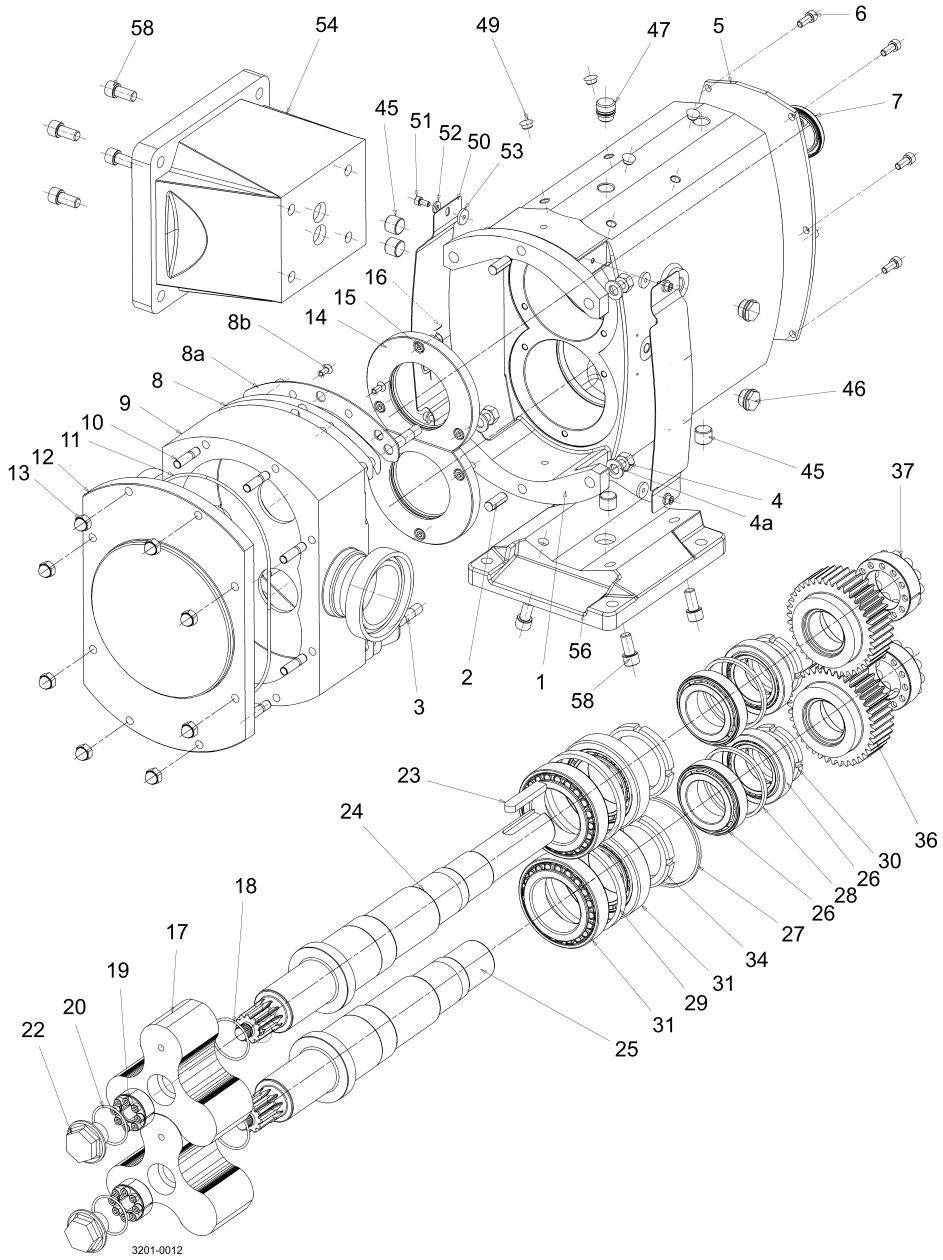
Pos	Qty	Denomination	Item No.
18	▲●	2 O-Ring, rotor sealing shaft end, (St.Stl rotor) NBR	9630037151
	▲●	2 O-Ring, rotor sealing shaft end, (St.Stl rotor) FPM	9630037153
	▲●	2 O-Ring, rotor sealing shaft end, (St.Stl rotor) EPDM	9630037150
	▲●	2 O-Ring, rotor sealing shaft end, (St.Stl rotor) PTFE	9630037154
19	▲●	2 O-Ring, rotor sealing shaft end, (NBR covered rotor) NBR	9630023523
	▲●	2 O-Ring, rotor sealing shaft end, (NBR covered rotor) FPM	9630027378
	▲●	2 O-Ring, rotor sealing shaft end, (NBR covered rotor) EPDM	9630032653
20	▲●	2 O-Ring, rotor sealing nut end, NBR	9630037146
	▲●	2 O-Ring, rotor sealing nut end, FPM	9630037148
	▲●	2 O-Ring, rotor sealing nut end, EPDM	9630037145
	▲●	2 O-Ring, rotor sealing nut end, PTFE	9630037149
22		2 Nut, rotor retention, SRU5/116	9630046134
		2 Nut, rotor retention, SRU5/168	9630046142
23		1 Key	9630023940
24		1 Shaft, drive, (St.Stl) R90	9630031107
		1 Shaft, drive, (St.Stl) Hyclean	9630046284
		1 Shaft, drive, (Duplex) R90	9630031111
		1 Shaft, drive, (Duplex) Hyclean	9630046280
25		1 Shaft, auxiliary, (St.Stl) R90	9630031109
		1 Shaft, auxiliary, (St.Stl) Hyclean	9630046271
		1 Shaft, auxiliary, (Duplex) R90	9630031110
		1 Shaft, auxiliary, (Duplex) Hyclean	9630046273
26		4 Bearing, rear	9630029034
27		1 Spacer, shaft abutment	9630035209
28		2 Spacer, bearing drive end	9630031175
29		2 Spacer, bearing gland end	9630031133
30		2 Nut, bearing rear	9630024100
31		4 Bearing, front	9630029036
34		2 Nut, bearing front	9630029139
36		2 Timing gear	9630031162
37		2 Torque locking assembly	9630024455
45		7 Drain plug	9630023548
46		1 Sight glass	9630032778
47		1 Filler plug	9630018599
50		2 Gland guard, - R90 / Hyclean Seal	9630651524
		2 Gland guard, - R90 Flushed Seal	9630652104
		2 Gland Guard, - Hyclean Flushed Seal	9630652060
51		4 Screw, gland guard	9630030332
52		4 Washer, gland guard	9630030121
53		4 Washer, gland guard	9630924711
54		1 Foot, vertical port	9630070568
56		1 Foot, horizontal port	9630070567
58		4 Bolt, foot	9630038966



SRU-6 Rotary Lobe Pumps

Pos	Qty	Denomination	Item No.
1	1	Gearcase	9630070602
2	2	Dowel	9630023467
3	4	Stud, rotorcase retention	9630052267
4	4	Nut, rotorcase retention	9630024055
4a	4	Washer, rotorcase retention	9630024238
5	1	Cover, gearcase	9630666641
6	6	Screw, gearcase cover	9630024629
7	1	Lip seal, drive end, NBR (not for ATEX)	9630030625
	1	Lip seal, drive end, FPM	9630032798
8	2	Shim, Polymex (not for ATEX)	9630033391
	2	Shim, St.Stl	9630033392
8a	2	Shim retainer	9630051782
8b	4	Screw, shim retainer	9630050533
9	1	Rotorcase	
See page 40-52			
10	8	Stud, rotorcase/cover retention	9630030574
11	▲●	1 O-Ring, cover, - plain, NBR	9630046182
	▲●	1 O-Ring, cover, - plain, FPM	9630046183
	▲●	1 O-Ring, cover, - plain, EPDM	9630046185
	▲●	1 O-Ring, cover, - plain, PTFE	9630046184
	1	O-Ring, cover, - relief valve, NBR	9630030494
	1	O-Ring, cover, - relief valve, FPM	9630027458
	1	O-Ring, cover, - relief valve, EPDM	9630026948
	1	O-Ring, cover, - relief valve, PTFE	9630031559
12	1	Cover, rotorcase, Plain	9630046128
	1	Cover, rotorcase, For rectangular inlet	9630052945
	1	Cover, rotorcase, Drilled for jacket	9630027763
	1	Cover, rotorcase, Relief valve	
See page 100			
13	8	Dome nut, rotorcase cover	9630024088
14	2	Retainer, seal	9630026103
15	6	Screw, seal retainer	9630024629
16	2	Lip seal, gland end, NBR (not for ATEX)	9630030631
	2	Lip seal, gland end, FPM	9630032803
17	2	Rotor, Trilobe Stainless Steel, 10 bar 70°C, SRU6/260/ LS	9630088940
	2	Rotor, Trilobe Stainless Steel, 10 bar 130°C, SRU6/260/ LS	9630088964
	2	Rotor, Trilobe Stainless Steel, 10 bar 200°C, SRU6/260/ LS	9630088965
	2	Rotor, Trilobe Stainless Steel, 20 bar 70°C, SRU6/260/ LD	9630088966
	2	Rotor, Trilobe Stainless Steel, 20 bar 130°C, SRU6/260/ LD	9630088967
	2	Rotor, Trilobe Stainless Steel, 20 bar 200°C, SRU6/260/ LD	9630088968
	2	Rotor, Bilobe Stainless Steel, 10 bar 70°C, SRU6/260/ LS ..	9630089843
	2	Rotor, Bilobe Stainless Steel, 10 bar 130°C,SRU6/260/ LS	9630090627
	2	Rotor, Bilobe Stainless Steel, 10 bar 200°C, SRU6/260/ LS	9630090628
	2	Rotor, Bilobe Stainless Steel, 20 bar 70°C, SRU6/260/ LD	9630090629
	2	Rotor, Bilobe Stainless Steel, 20 bar 130°C, SRU6/260/ LD	9630090630
	2	Rotor, Bilobe Stainless Steel, 20 bar 200°C, SRU6/260/ LD	9630090631
	2	Rotor, Bilobe non-galling, 10 bar 70°C, SRU6/260/ LS ..	9630090549
	2	Rotor, Bilobe non-galling, 10 bar 130°C, SRU6/260/ LS ..	9630090550
	2	Rotor, Bilobe non-galling, 10 bar 200°C, SRU6/260/ LS ..	9630090551
	2	Rotor, Bilobe non-galling, 20 bar 70°C, SRU6/260/ LD ..	9630090552
	2	Rotor, Bilobe non-galling, 20 bar 130°C, SRU6/260/ LD ..	9630090553
	2	Rotor, Bilobe non-galling, 20 bar 200°C, SRU6/260/ LD ..	9630090554
	2	Rotor, Trilobe Stainless Steel, 7 bar 70°C, SRU6/353/ LS ..	9630046164
	2	Rotor, Trilobe Stainless Steel, 7 bar 130°C, SRU6/353/ LS	9630021847
	2	Rotor, Trilobe Stainless Steel, 7 bar 200°C, SRU6/353/ LS	9630049090
	2	Rotor, Trilobe Stainless Steel, 15 bar 70°C, SRU6/353/ LD	9630048560
	2	Rotor, Trilobe Stainless Steel, 15 bar 130°C, SRU6/353/ LD	9630020871
	2	Rotor, Trilobe Stainless Steel, 15 bar 200°C, SRU6/353/ LD	9630057067
	2	Rotor, Bilobe Stainless Steel, 7 bar 70°C, SRU6/353/ LS ..	9630090632
	2	Rotor, Bilobe Stainless Steel, 7 bar 130°C	9630090633
	2	Rotor, Bilobe Stainless Steel, 7 bar 200°C, SRU6/353/ LS ..	9630090634
	2	Rotor, Bilobe Stainless Steel, 15 bar 70°C, SRU6/353/ LD	9630090635
	2	Rotor, Bilobe Stainless Steel, 15 bar 130°C, SRU6/353/ LD	9630090636

2	Rotor, Bilobe Stainless Steel, 15 bar 200°C, SRU6/353/ LD	9630090637
2	Rotor, Bilobe non-galling, 7 bar 70°C, SRU6/353/ LS	9630090532
2	Rotor, Bilobe non-galling, 7 bar 130°C, SRU6/353/ LS ..	9630090533
2	Rotor, Bilobe non-galling, 7 bar 200°C, SRU6/353/ LS ..	9630090534
2	Rotor, Bilobe non-galling, 15 bar 70°C, SRU6/353/ LD ..	9630090535
2	Rotor, Bilobe non-galling, 15 bar 130°C, SRU6/353/ LD	9630090536
2	Rotor, Bilobe non-galling, 15 bar 200°C, SRU6/353/ LD	9630090537
2	Rotor, Trilobe, NBR covered, SRU6/353	9630029892



SRU-6 Rotary Lobe Pumps

Pos	Qty	Denomination	Item No.
18	▲●	2 O-Ring, rotor sealing shaft end, (St.Stl rotor) NBR	9630046199
	▲●	2 O-Ring, rotor sealing shaft end, (St.Stl rotor) FPM	9630046200
	▲●	2 O-Ring, rotor sealing shaft end, (St.Stl rotor) EPDM	9630046201
	▲●	2 O-Ring, rotor sealing shaft end, (St.Stl rotor) PTFE	9630046202
19	▲●	2 O-Ring, rotor sealing shaft end, (NBR covered rotor)	
		NBR	9630024124
	▲●	2 O-Ring, rotor sealing shaft end, (NBR covered rotor)	
		FPM	9630024125
	▲●	2 O-Ring, rotor sealing shaft end, (NBR covered rotor)	
		EPDM	9630024196
		2 Torque locking assembly	9630029039
20	▲●	2 O-Ring, rotor sealing nut end, NBR	9630046199
	▲●	2 O-Ring, rotor sealing nut end, FPM	9630046200
	▲●	2 O-Ring, rotor sealing nut end, EPDM	9630046201
	▲●	2 O-Ring, rotor sealing nut end, PTFE	9630046202
22		2 Nut, rotor retention, SRU6/260	9630046136
		2 Nut, rotor retention, SRU6/353	9630046144
23		1 Key	9630023940
24		1 Shaft, drive, (St.Stl) R90	9630030811
		1 Shaft, drive, (St.Stl) Hyclean	9630048167
		1 Shaft, drive, (Duplex) R90	9630030814
		1 Shaft, drive, (Duplex) Hyclean	9630048168
25		1 Shaft, auxiliary, (St.Stl) R90	9630030813
		1 Shaft, auxiliary, (St.Stl) Hyclean	9630048162
		1 Shaft, auxiliary, (Duplex) R90	9630030815
		1 Shaft, auxiliary, (Duplex) Hyclean	9630048163
26		4 Bearing, rear	9630029036
27		1 Spacer, shaft abutment	9630034661
28		2 Spacer, bearing drive end	9630031133
29		2 Spacer, bearing gland end	9630031135
30		2 Nut, bearing rear	9630029139
31		4 Bearing, front	9630029038
34		2 Nut, bearing front	9630029140
36		2 Timing gear	9630030718
37		2 Torque locking assembly	9630024455
45		7 Drain plug	9630023548
46		1 Sight glass	9630032778
47		1 Filler plug	9630018599
50		2 Gland guard, - R90 / Hyclean Seal	9630651525
		2 Gland guard, - R90 Flushed Seal	9630652105
		2 Gland Guard, - Hyclean Flushed Seal	9630652061
51		4 Screw, gland guard	9630030332
52		4 Washer, gland guard	9630030121
53		4 Washer, gland guard	9630924711
54		1 Foot, vertical port	9630070572
56		1 Foot, horizontal port	9630070571
58		4 Bolt, foot	9630038966

900709/1

Pos	Qty	Denomination	SRU1/005 Item No.	SRU1/008 Item No.
		Port Standard BSP, Size: 1" / 25 mm	9630035253	9630094184
		Port Standard BSP, Size: 1½" / 40 mm		9630041361
		Port Standard BSPT, Size: 1" / 25 mm	9630047685	9630100140
		Port Standard BSPT, Size: 1½" / 40 mm		9630049263
		Port Standard DIN11851, Size: 1" / 25 mm	9630035408	9630091092
		Port Standard DIN11851, Size: 1½" / 40 mm		9630044839
		Port Standard ISS/IDF, Size: 1" / 25 mm	9630041360	9630091094
		Port Standard ISS/IDF, Size: 1½" / 40 mm		9630032114
		Port Standard NPT, Size: 1" / 25 mm		9630025360
		Port Standard NPT, Size: 1½" / 40 mm		9630041025
		Port Standard RDG, Size: 1" / 25 mm	9630036912	9630095526
		Port Standard RDG, Size: 1½" / 40 mm		9630045960
		Port Standard RJT, Size: 1" / 25 mm	9630040936	9630090682
		Port Standard RJT, Size: 1½" / 40 mm		9630027464
		Port Standard SMS, Size: 1" / 25 mm	9630048554	9630091095
		Port Standard SMS, Size: 1½" / 40 mm		9630035482
		Port Standard SMS FS, Size: 1" / 25 mm	9630042643	
		Port Standard SMS FS, Size: 1½" / 40 mm		9630040688
		Port Standard Tri-clamp (BS4825), Size: 1" / 25 mm	9630034317	9630091096
		Port Standard Tri-clamp (BS4825), Size: 1½" / 40 mm		9630035370
		Port Standard ASA/ANSI 150RF, Size: 1" / 25 mm	9630040467	9630091608
		Port Standard ASA/ANSI 150RF, Size: 1½" / 40 mm		9630032891
		Port Standard BS10E, Size: 1" / 25 mm	9630042822	
		Port Standard BS10E, Size: 1½" / 40 mm		9630045877
		Port Standard BS4504/DIN2533, Size: 1" / 25 mm	9630046881	9630096325
		Port Standard BS4504/DIN2533, Size: 1½" / 40 mm		9630039966
Pos	Qty	Denomination	SRU2/013 Item No.	SRU2/018 Item No.
		Port Standard BSP, Size: 1", 25 mm	9630097142	
		Port Standard BSP, Size: 1½", 40 mm	9630035254	9630038875
		Port Standard BSP, Size: 2", 50 mm		9630035255
		Port Standard BSPT, Size: 1", 25 mm	9630096197	
		Port Standard BSPT, Size: 1½", 40 mm	9630042160	
		Port Standard BSPT, Size: 2", 50 mm		9630041917
		Port Standard DIN11851, Size: 1", 25 mm	9630091135	
		Port Standard DIN11851, Size: 1½", 40 mm	9630041522	9630047060
		Port Standard DIN11851, Size: 2", 50 mm		9630044840
		Port Standard ISS/IDF, Size: 1", 25 mm	9630091136	
		Port Standard ISS/IDF, Size: 1½", 40 mm	9630045665	9630051111
		Port Standard ISS/IDF, Size: 2", 50 mm		9630034882
		Port Standard NPT, Size: 1½", 40 mm	9630035134	
		Port Standard NPT, Size: 2", 50 mm		9630043302
		Port Standard RDG, Size: 1", 25 mm	9630096259	
		Port Standard RDG, Size: 1½", 40 mm	9630041390	9630096262
		Port Standard RDG, Size: 2", 50 mm		9630040515
		Port Standard RJT, Size: 1", 25 mm	9630090684	
		Port Standard RJT, Size: 1½", 40 mm	9630039020	9630049667
		Port Standard RJT, Size: 2", 50 mm		9630042855
		Port Standard SMS, Size: 1", 25 mm	9630091137	
		Port Standard SMS, Size: 1½", 40 mm	9630039494	9630047840
		Port Standard SMS, Size: 2", 50 mm		9630035191
		Port Standard SMS FS, Size: 1½", 40 mm	9630040685	
		Port Standard SMS FS, Size: 2", 50 mm		9630042901
		Port Standard Tri-clamp (BS4825), Size: 1", 25 mm	9630091138	
		Port Standard Tri-clamp (BS4825), Size: 1½", 40 mm	9630034319	9630050076
		Port Standard Tri-clamp (BS4825), Size: 2", 50 mm		9630034323
		Port Standard ASA/ANSI 150RF, Size: 1", 25 mm	9630097319	
		Port Standard ASA/ANSI 150RF, Size: 1½", 40 mm	9630027669	9630052895
		Port Standard ASA/ANSI 150RF, Size: 2", 50 mm		9630037418
		Port Standard BS10E, Size: 1½", 40 mm	9630046109	
		Port Standard BS10E, Size: 2", 50 mm		9630035615
		Port Standard BS4504/DIN2533, Size: 1", 25 mm	9630097318	
		Port Standard BS4504/DIN2534, Size: 1½", 40 mm	9630041494	9630066552
		Port Standard BS4504/DIN2535, Size: 2", 50 mm		9630042646

Note: See pages 64 – 68 for other rotorcase part numbers.

Pos	Qty	Denomination	SRU3/027 Item No.	SRU3/038 Item No.
		Port Standard BSP, Size: 1½" / 40 mm	9630053809	
		Port Standard BSP, Size: 2" / 50 mm	9630035459	9630054621
		Port Standard BSP, Size: 2½" / 65 mm		9630035256
		Port Standard BSPT, Size: 2" / 50 mm	9630029609	9630064524
		Port Standard BSPT, Size: 2½" / 65 mm		9630046105
		Port Standard DIN11851, Size: 1½" / 40 mm	9630061933	
		Port Standard DIN11852, Size: 2" / 50 mm	9630046494	9630043521
		Port Standard DIN11853, Size: 2½" / 65 mm		9630033350
		Port Standard ISS/IDF, Size: 1½" / 40 mm	9630069141	
		Port Standard ISS/IDF, Size: 2" / 50 mm	9630037083	9630045797
		Port Standard ISS/IDF, Size: 2½" / 65 mm		9630045780
		Port Standard NPT, Size: 2" / 50 mm	9630035343	
		Port Standard NPT, Size: 2½" / 65 mm		9630049133
		Port Standard RDG, Size: 1½" / 40 mm	9630099043	
		Port Standard RDG, Size: 2" / 50 mm	9630045994	9630071039
		Port Standard RDG, Size: 2½" / 65 mm		9630041411
		Port Standard RJT, Size: 1½" / 40 mm	9630052370	
		Port Standard RJT, Size: 2" / 50 mm	9630035368	9630046015
		Port Standard RJT, Size: 2½" / 65 mm		9630033412
		Port Standard SMS, Size: 1½" / 40 mm	9630047805	
		Port Standard SMS, Size: 2" / 50 mm	9630040720	9630049451
		Port Standard SMS, Size: 2½" / 65 mm		9630039493
		Port Standard SMS FS, Size: 2" / 50 mm	9630040687	
		Port Standard SMS FS, Size: 2½" / 65 mm		9630046884
		Port Standard Tri-clamp (BS4825), Size: 1½" / 40 mm ...	9630050075	
		Port Standard Tri-clamp (BS4825), Size: 2" / 50 mm	9630034320	9630050074
		Port Standard Tri-clamp (BS4825), Size: 2½" / 65 mm ...		9630035195
		Port Standard ASA/ANSI 150RF, Size: 1½" / 40 mm	9630053629	
		Port Standard ASA/ANSI 150RF, Size: 2" / 50 mm	9630040626	9630049332
		Port Standard ASA/ANSI 150RF, Size: 2½" / 65 mm		9630030030
		Port Standard BS10E, Size: 2" / 50 mm	9630045554	
		Port Standard BS10E, Size: 2½" / 65 mm		9630049477
		Port Standard BS4504/DIN2533, Size: 1½" / 40 mm	9630075563	
		Port Standard BS4504/DIN2534, Size: 2" / 50 mm	9630028993	9630050103
		Port Standard BS4504/DIN2535, Size: 2½" / 65 mm		9630041044

Pos	Qty	Denomination	SRU4/055 Item No.	SRU4/079 Item No.
		Port Standard BSP, Size: 2" / 50 mm	9630051186	
		Port Standard BSP, Size: 2½" / 65 mm	9630034294	
		Port Standard BSP, Size: 3" / 80 mm		9630035200
		Port Standard BSPT, Size: 2" / 50 mm	9630101275	
		Port Standard BSPT, Size: 2½" / 65 mm	9630047680	
		Port Standard BSPT, Size: 3" / 80 mm		9630046558
		Port Standard DIN11851, Size: 2" / 50 mm	9630050860	
		Port Standard DIN11852, Size: 2½" / 65 mm	9630028631	9630091139
		Port Standard DIN11853, Size: 3" / 80 mm		9630040420
		Port Standard ISS/IDF, Size: 2" / 50 mm	9630050954	
		Port Standard ISS/IDF, Size: 2½" / 65 mm	9630046826	9630091140
		Port Standard ISS/IDF, Size: 3" / 80 mm		9630040340
		Port Standard NPT, Size: 2½" / 65 mm	9630022489	
		Port Standard NPT, Size: 3" / 80 mm		9630047284
		Port Standard RDG, Size: 2" / 50 mm	9630099338	
		Port Standard RDG, Size: 2½" / 65 mm	9630038257	9630099339
		Port Standard RDG, Size: 3" / 80 mm		9630041401
		Port Standard RJT, Size: 2" / 50 mm	9630049172	
		Port Standard RJT, Size: 2½" / 65 mm	9630033116	9630087647
		Port Standard RJT, Size: 3" / 80 mm		9630040693
		Port Standard SMS, Size: 2" / 50 mm	9630051221	
		Port Standard SMS, Size: 2½" / 65 mm	9630046955	9630091141
		Port Standard SMS, Size: 3" / 80 mm		9630035480
		Port Standard SMS FS, Size: 2½" / 65 mm	9630036291	9630099704
		Port Standard SMS FS, Size: 3" / 80 mm		9630040686
		Port Standard Tri-clamp (BS4825), Size: 2" / 50 mm	9043.271S	9630051385
		Port Standard Tri-clamp (BS4825), Size: 2½" / 65 mm	9630034321	9630091142
		Port Standard Tri-clamp (BS4825), Size: 3" / 80 mm		9630025894
		Port Standard ASA/ANSI 150RF, Size: 2" / 50 mm	9630044148	
		Port Standard ASA/ANSI 150RF, Size: 2½" / 65 mm	9630039583	9630095534
		Port Standard ASA/ANSI 150RF, Size: 3" / 80 mm		9630020783
		Port Standard BS10E, Size: 2½" / 65 mm	9630045833	
		Port Standard BS10E, Size: 3" / 80 mm		9630045984
		Port Standard BS4504/DIN2533, Size: 2" / 50 mm	9630053994	
		Port Standard BS4504/DIN2534, Size: 2½" / 65 mm	9630039967	9630096996
		Port Standard BS4504/DIN2535, Size: 3" / 80 mm		9630034945

Note: See pages 64 – 68 for other rotorcase part numbers.

Pos	Qty	Denomination	SRU5/116 Item No.	SRU5/168 Item No.
		Port Standard BSP, Size: 3" / 80 mm	9630035257	
		Port Standard BSP, Size: 4" / 100 mm		9630047872
		Port Standard BSPT, Size: 3" / 80 mm	9630046612	
		Port Standard BSPT, Size: 4" / 100 mm		9630046608
		Port Standard DIN11851, Size: 2½" / 65 mm	9630091143	
		Port Standard DIN11852, Size: 3" / 80 mm	9630046584	9630091147
		Port Standard DIN11853, Size: 4" / 100 mm		9630044841
		Port Standard ISS/IDF, Size: 2½" / 65 mm	9630091144	
		Port Standard ISS/IDF, Size: 3" / 80 mm	9630041749	9630091148
		Port Standard ISS/IDF, Size: 4" / 100 mm		9630027225
		Port Standard NPT, Size: 3" / 80 mm	9630040625	
		Port Standard NPT, Size: 4" / 100 mm		9630048066
		Port Standard RDG, Size: 3" / 80 mm	9630042941	
		Port Standard RJT, Size: 2½" / 65 mm	9630087648	
		Port Standard RJT, Size: 3" / 80 mm	9630037447	9630087649
		Port Standard RJT, Size: 4" / 100 mm		9630039297
		Port Standard SMS, Size: 2½" / 65 mm	9630091145	
		Port Standard SMS, Size: 3" / 80 mm	9630039428	9630091149
		Port Standard SMS, Size: 4" / 100 mm		9630039495
		Port Standard SMS FS, Size: 2½" / 65 mm	9630099542	
		Port Standard SMS FS, Size: 3" / 80 mm	9630018870	
		Port Standard SMS FS, Size: 4" / 100 mm		9630046777
		Port Standard Tri-clamp (BS4825), Size: 2½" / 65 mm	9630091146	
		Port Standard Tri-clamp (BS4825), Size: 3" / 80 mm	9630034322	9630091150
		Port Standard Tri-clamp (BS4825), Size: 4" / 100 mm		9630043290
		Port Standard ASA/ANSI 150RF, Size: 2½" / 65 mm	9630100771	
		Port Standard ASA/ANSI 150RF, Size: 3" / 80 mm	9630035993	
		Port Standard ASA/ANSI 150RF, Size: 4" / 100 mm		9630030124
		Port Standard BS10E, Size: 3" / 80 mm	9630052719	
		Port Standard BS10E, Size: 4" / 100 mm		9630046969
		Port Standard BS4504/DIN2533, Size: 2½" / 65 mm	9630101062	
		Port Standard BS4504/DIN2534, Size: 3" / 80 mm	9630045737	
		Port Standard BS4504/DIN2535, Size: 4" / 100 mm		9630025556

Pos	Qty	Denomination	SRU6/260 Item No.	SRU6/353 Item No.
		Port Standard BSP, Size: 6" / 150 mm		9630029405
		Port Standard DIN11851, Size: 4" / 100 mm	9630091151	9630091156
		Port Standard DIN11852, Size: 6" / 150 mm		9630049407
		Port Standard ISS/IDF, Size: 4" / 100 mm	9630091152	9630091157
		Port Standard NPT, Size: 6" / 150 mm		9630074167
		Port Standard RDG, Size: 4" / 100 mm	9630094924	
		Port Standard RJT, Size: 4" / 100 mm	9630091153	9630091158
		Port Standard RJT, Size: 6" / 150 mm		9630046117
		Port Standard SMS, Size: 4" / 100 mm	9630091154	9630091159
		Port Standard SMS FS, Size: 4" / 100 mm	9630096216	
		Port Standard Tri-clamp (BS4825), Size: 4" / 100 mm	9630091155	9630091160
		Port Standard Tri-clamp (BS4825), Size: 6" / 150 mm		9630046203
		Port Standard ASA/ANSI 150RF, Size: 4" / 100 mm	9630094539	
		Port Standard ASA/ANSI 150RF, Size: 6" / 150 mm		9630043089
		Port Standard BS10E, Size: 6" / 150 mm		9630042448
		Port Standard BS4504/DIN2533, Size: 4" / 100 mm	9630046608	9630099663
		Port Standard BS4504/DIN2534, Size: 6" / 150 mm		9630043511

Rotorcases – Hyclean Seal – SRU1 to SRU6 Pump Models

Pos	Qty	Denomination	SRU1/005 Item No.	SRU1/008 Item No.
		Port Standard DIN11851, Size: 1" / 25 mm	9630054283	9630091161
		Port Standard DIN11852, Size: 1½" / 40 mm		9630058653
		Port Standard ISS/IDF, Size: 1" / 25 mm	9630056767	9630091162
		Port Standard ISS/IDF, Size: 1½" / 40 mm		9630091166
		Port Standard RJT, Size: 1" / 25 mm	9630058406	9630091163
		Port Standard RJT, Size: 1½" / 40 mm		9630059916
		Port Standard SMS, Size: 1" / 25 mm	9630056102	9630091164
		Port Standard SMS, Size: 1½" / 40 mm		9630056103
		Port Standard Tri-clamp (BS4825), Size: 1" / 25 mm	9630050788	9630091165
		Port Standard Tri-clamp (BS4825), Size: 1½" / 40 mm ...		9630053014

Pos	Qty	Denomination	SRU2/013 Item No.	SRU2/018 Item No.
		Port Standard DIN11851, Size: 1" / 25 mm	9630091167	
		Port Standard DIN11852, Size: 1½" / 40 mm	9630048096	9630065013
		Port Standard DIN11853, Size: 2" / 50 mm		9630053711
		Port Standard ISS/IDF, Size: 1" / 25 mm	9630091168	
		Port Standard ISS/IDF, Size: 1½" / 40 mm	9630052409	9630091172
		Port Standard ISS/IDF, Size: 2" / 50 mm		9630049311
		Port Standard RJT, Size: 1" / 25 mm	9630091169	
		Port Standard RJT, Size: 1½" / 40 mm	9630050887	9630091173
		Port Standard RJT, Size: 2" / 50 mm		9630058407
		Port Standard SMS, Size: 1" / 25 mm	9630091170	
		Port Standard SMS, Size: 1½" / 40 mm	9630025246	9630051172
		Port Standard SMS, Size: 2" / 50 mm		9630025966
		Port Standard Tri-clamp (BS4825), Size: 1" / 25 mm	9630091171	
		Port Standard Tri-clamp (BS4825), Size: 1½" / 40 mm ...	9630049282	9630060346
		Port Standard Tri-clamp (BS4825), Size: 2" / 50 mm		9630049452

Pos	Qty	Denomination	SRU3/027 Item No.	SRU3/038 Item No.
		Port Standard DIN11851, Size: 1½" / 40 mm	9630091174	
		Port Standard DIN11852, Size: 2" / 50 mm	9630053607	9630059135
		Port Standard DIN11853, Size: 2½" / 65 mm		9630064742
		Port Standard ISS/IDF, Size: 1½" / 40 mm	9630091175	
		Port Standard ISS/IDF, Size: 2" / 50 mm	9630048390	9630051143
		Port Standard ISS/IDF, Size: 2½" / 65 mm		9630048042
		Port Standard RJT, Size: 1½" / 40 mm	9630091176	
		Port Standard RJT, Size: 2" / 50 mm	9630058140	9630076542
		Port Standard RJT, Size: 2½" / 65 mm		9630047015
		Port Standard SMS, Size: 1½" / 40 mm	9630059132	
		Port Standard SMS, Size: 2" / 50 mm	9630021034	9630054697
		Port Standard SMS, Size: 2½" / 65 mm		9630047832
		Port Standard Tri-clamp (BS4825), Size: 1½" / 40 mm ...	9630064835	
		Port Standard Tri-clamp (BS4825), Size: 2" / 50 mm	9630041053	9630059760
		Port Standard Tri-clamp (BS4825), Size: 2½" / 65 mm ...		9630049378

Pos	Qty	Denomination	SRU4/055 Item No.	SRU4/079 Item No.
		Port Standard DIN11851, Size: 2" / 50 mm	9630058038	
		Port Standard DIN11852, Size: 2½" / 65 mm	9630056738	9630091179
		Port Standard DIN11853, Size: 3" / 80 mm		9630051822
		Port Standard ISS/IDF, Size: 2" / 50 mm	9630091178	
		Port Standard ISS/IDF, Size: 2½" / 65 mm	9630050863	9630091180
		Port Standard ISS/IDF, Size: 3" / 80 mm		9630050509
		Port Standard RJT, Size: 2" / 50 mm	9630020697	
		Port Standard RJT, Size: 2½" / 65 mm	9630056284	9630091184
		Port Standard RJT, Size: 3" / 80 mm		9630054907
		Port Standard SMS, Size: 2" / 50 mm	9630037077	
		Port Standard SMS, Size: 2½" / 65 mm	9630047833	9630091182
		Port Standard SMS, Size: 3" / 80 mm		9630047834
		Port Standard Tri-clamp (BS4825), Size: 2" / 50 mm	9630059224	
		Port Standard Tri-clamp (BS4825), Size: 2½" / 65 mm ...	9630049379	9630091183
		Port Standard Tri-clamp (BS4825), Size: 3" / 80 mm		9630059310

Note: See pages 64 – 68 for other rotorcase part numbers.

Pos	Qty	Denomination	SRU5/116 Item No.	SRU5/168 Item No.
		Port Standard DIN11851, Size: 2½" / 65 mm	9630091186	
		Port Standard DIN11851, Size: 3" / 80 mm	9630048336	9630091194
		Port Standard DIN11851, Size: 4" / 100 mm		9630049898
		Port Standard ISS/IDF, Size: 2½" / 65 mm	9630091187	
		Port Standard ISS/IDF, Size: 3" / 80 mm	9630050864	9630091195
		Port Standard ISS/IDF, Size: 4" / 100 mm		9630091199
		Port Standard RJT, Size: 2½" / 65 mm	9630091188	
		Port Standard RJT, Size: 3" / 80 mm	9630057931	9630091196
		Port Standard RJT, Size: 4" / 100 mm		9630049207
		Port Standard SMS, Size: 2½" / 65 mm	9630047833	9630091182
		Port Standard SMS, Size: 2½" / 65 mm	9630091189	
		Port Standard SMS, Size: 3" / 80 mm	9630047837	9630091197
		Port Standard SMS, Size: 4" / 100 mm		9630047838
		Port Standard Tri-clamp (BS4825), Size: 2½" / 65 mm ...	9630091190	
		Port Standard Tri-clamp (BS4825), Size: 3" / 80 mm	9630048868	9630091198
		Port Standard Tri-clamp (BS4825), Size: 4" / 100 mm		9630056995

Note: See pages 68–64 for other rotorcase part numbers.

Pos	Qty	Denomination	SRU6/260 Item No.	SRU6/253 Item No.
		Port Standard DIN11851, Size: 4" / 100 mm	9630091200	9630091206
		Port Standard DIN11851, Size: 6" / 150 mm		9630052121
		Port Standard ISS/IDF, Size: 4" / 100 mm	9630091202	9630091207
		Port Standard ISS/IDF, Size: 6" / 150 mm		-
		Port Standard RJT, Size: 4" / 100 mm	9630091203	9630091208
		Port Standard RJT, Size: 6" / 1050 mm		9630059131
		Port Standard SMS, Size: 4" / 100 mm	9630091204	9630091209
		Port Standard SMS, Size: 6" / 150 mm		-
		Port Standard Tri-clamp (BS4825), Size: 4" / 100 mm	9630091205	9630091210
		Port Standard Tri-clamp (BS4825), Size: 6" / 150 mm		9630049316

Note: See pages 64 – 68 for other rotorcase part numbers.

Rotorcases – Body Part Numbers

Due to the high number of combinations of rotorcase body and port standard the below tables show how to construct the complete rotorcase part number.

Example: Rotorcase machined for R90 mechanical seal with 1" (25mm) BSP male connections for SRU1/005 pump. Part number 9037.026S = 9 + 037 + 026 + S where 9 = constant 037 = rotorcase body code 026 = rotorcase port code S = constant (SRU)

Example: (vertically ported flanged rotorcase SRU1–5 ONLY) Rotorcase machined for R90 mechanical seal with 1" (25mm) ASA150RF connections for SRU1/005 pump. Part no. 9037.018/324S = 9 + 037 + 018 + 324 + S where 9 = constant 037 = rotorcase body code 018 = rotorcase top port code 324 = rotorcase bottom port code for bend S = constant (SRU) For bottom flanged bends and gaskets see page 33.

R90 = R90 and Packed Gland Seal HYC = Hyclean Seal HS = drilled for Heating Saddle
RECT = Rectangular Inlet Port bore and code information is for internal use only

Rotorcase Body		Port Bore Size (mm)	Con-nection Size (mm)	Code	R90	R90 HS	R90 RECT	R90 RECT HS	HYC	HYC HS	HYC RECT	HYC RECT HS
SRU1/00												
5	SAN	22,2	25	B	037	061	181	241	285	308	445	471
SRU1/00	SAN	22,2	25	B	402	425	432	455	414	439	446	472
8	ENL	26,0	40	C	038	062	191	242	286	309	454	463
SRU2/01	SAN	22,2	25	B	403	426	433	456	415	440	447	473
3	ENL	26,0	40	C	039	063	182	243	211	231	221	464
SRU2/01	SAN	34,9	40	D	040	064	192	244	212	232	222	474
8	ENL	34,9	50	E	040	064	192	244	212	232	222	474
SRU3/0	SAN	34,9	40	D	041	065	183	245	213	233	223	475
27	ENL	34,9	50	E	041	065	183	245	213	233	223	475
SRU3/03	SAN	47,6	50	G	042	066	193	246	214	234	224	476
8	ENL	47,6	65	H	042	066	193	246	214	234	224	476
SRU4/05	SAN	47,6	50	G	043	067	184	247	215	235	225	477
5	ENL	47,6	65	H	043	067	184	247	215	235	225	477
SRU4/07	SAN	60,3	65	I	048	072	434	457	420	441	448	478
9	ENL	63,0	80	K	044	068	194	248	216	236	226	465
SRU5/11	SAN	60,3	65	I	409	428	435	458	421	442	449	479
6	ENL	63,0	80	K	045	069	185	249	217	237	227	466
SRU5/16	SAN	73,0	80	M	410	429	436	459	422	443	450	480
8	ENL	78,0	100	O	046	070	195	250	218	238	228	467
SRU6/26												
0	SAN	97,6	100	P	411	430	437	460	423	444	451	481
SRU6/35	SAN	97,6	100	P	412	431	438	461	424	445	452	482
3	ENL	120,0	150	Q	048	072	196	252	220	462	230	468

Rotorcase Port	Size (mm)	Port Bore		BSP	BSPT	NPT	IDF	RJT	ILC	3A ACME	RDG
		Bore	Code								
005	25	13.5	A	025	057	049	041	033	113	065	105
005/008/013	25	22.2	B	026	058	050	042	034	114	066	106
008/013/018/027	40	26.0	C	027	059	051	043	035	115	067	107
018/027	40	34.9	D	252	696	695	318	342	700	697	699
018/027/055	50	34.9	E	028	060	052	044	036	116	068	108
038	50	38.0	F	029	061	053	045	037	117	069	109
038/055	50	47.6	G	231	283	707	233	232	710	708	383
038/055/079/116	65	47.6	H	030	062	054	046	038	118	070	110
079/116	65	60.3	I	644	647	646	645	623	654	648	653
079/116	65	63.0	J	-	-	-	376	377	-	-	-
079/116	80	63.0	K	135	143	141	139	137	157	145	155
168	80	70.0	L	031	063	055	047	039	119	071	111
168	80	73.0	M	664	667	666	665	624	673	668	681
168	100	78.0	O	136	144	142	140	138	158	146	156
260/353	100	97.6	P	032	064	056	048	040	120	072	112
353	150	120.0	Q	280	279	597	-	-	-	-	-

Rotorcase Port	Size (mm)	Port Bore		SMS	SMS FS	DIN 11851	Tri Clamp BS4825	I LINE	SRJT	Thread Bevel Seat	DS
		Bore	Code								
005	25	13.5	A	073	097	089	081	121	564	242	286
005/008/013	25	22.2	B	074	098	090	082	122	565	243	287
008/013/018/027	40	26.0	C	075	099	091	083	123	566	244	288
018/027	40	34.9	D	253	698	276	274	701	567	420	289
018/027/055	50	34.9	E	076	100	092	084	124	568	245	290
038	50	38.0	F	077	101	093	085	125	569	246	291
038/055	50	47.6	G	234	709	235	271	711	570	421	292
038/055/079/116	65	47.6	H	078	102	094	086	126	508	247	293
079/116	65	60.3	I	649	652	651	650	655	662	657	659
079/116	65	63.0	J	450	-	428	323	-	-	456	384
079/116	80	63.0	K	147	153	151	149	159	509	250	294
168	80	70.0	L	079	103	095	087	127	571	248	295
168	80	73.0	M	669	672	671	670	674	738	676	678
168	100	78.0	O	148	154	152	150	160	573	251	296
260/353	100	97.6	P	080	104	096	088	128	572	249	297
353	150	120.0	Q	-	-	230	300	-	222	-	-

Rotorcase Port	Size (mm)	Port Bore		BS10 E	BS10 F	ASA 150RF	ASA 300RF	BS 4504 PN16	JIS B2212/10F	ASA 150FF	SMS Sodime
		Bore	Code								
005	25	13.5	A	001	168	017	197	009	179	211	396
005/008/013	25	22.2	B	002	169	018	198	010	180	212	397
008/013/018/027	40	26.0	C	003	170	019	199	011	181	213	398
018/027	40	34.9	D	694	702	360	704	416	703	705	399
018/027/055	50	34.9	E	004	171	020	200	012	182	214	400
038	50	38.0	F	005	172	021	201	013	183	215	401
038/055	50	47.6	G	706	712	272	714	327	713	715	402
038/055/079/116	65	47.6	H	006	173	022	202	014	184	216	403
079/116	65	60.3	I	683	686	685	688	684	687	689	661
079/116	65	63.0	J	-	-	-	-	-	-	-	-
079/116	80	63.0	K	129	176	133	203	131	186	217	406
168	80	70.0	L	007	174	023	204	015	185	218	404
168	80	73.0	M	735	-	737	-	736	-	-	680
168	100	78.0	O	130	177	134	205	132	188	219	407
260/353	100	97.6	P	008	175	024	206	016	187	220	405
353	150	120.0	Q	161	178	163	207	162	189	221	-

Rotorcase Port	Size (mm)	Port Bore		BS 4504 PN25	DIN 2576 4504FF	DIN 2573	DIN 32676	DIN 118641A	Rotorcase bottom port code for flanged bend
		Bore	Code						
005	25	13.5	A	584	467	489	-	-	-
005/008/013	25	22.2	B	585	468	490	-	775	324
008/013/018/027	40	26.0	C	586	487	491	-	605	257
018/027	40	34.9	D	-	-	-	-	776	971
018/027/055	50	34.9	E	587	463	492	-	606	258
038	50	38.0	F	588	469	493	-	-	-
038/055	50	47.6	G	589	-	-	-	774	273
038/055/079/116	65	47.6	H	563	470	488	503	777	259
079/116	65	60.3	I	690	691	692	693	663	658
079/116	65	63.0	J	-	-	498	504	-	-
079/116	80	63.0	K	593	473	496	499	778	260
168	80	70.0	L	590	471	494	505	607	-
168	80	73.0	M	-	-	-	-	682	677
168	100	78.0	O	594	486	497	-	780	261
260/353	100	97.6	P	591	472	495	-	781	972
353	150	120.0	Q	595	-	-	-	-	-

Flanged Bends (for SRU1-5 vertically ported pumps)							
Rotorcase Port	Size (mm)	Port Bore		BS10 E	ASA 150RF	BS 4504 PN16	PTFE Gasket
		Bore	Code				
005	25	22.2	B	5000.454	5000.453	5000.455	5198.188
008/013	40	26.0	C	5000.408	5000.398	5000.413	5198.170
018/027	40	34.9	D	-	-	-	-
018/027	50	34.9	E	5000.409	5000.399	5000.414	5198.171
038/055	50	47.6	G	5000.409	5000.399	5000.414	5198.171
038/055	65	47.6	H	5000.410	5000.400	5000.415	5198.172
079/116	80	63.0	K	5000.411	5000.401	5000.416	5198.173
168	100	78.0	O	5000.412	5000.402	5000.417	5198.174

Rectangular to Round Adaptors

The table below shows how to construct the part number for rectangular to round adaptors. Example: Rectangular to Round Adaptor with 4" (100mm) SMS connection for SRU4/079 pump. Part number 5001.359.080 = 5001.359 + 080 where 5001.359 = rectangular adaptor code 080 = adaptor port code (see page 54-58)

Rotorcase	Size (mm)	Port Bore		Rectangular Adaptor code
		Bore	Code	
SRU1/005	40	26.0	C	5001.435
SRU1/008	50	38.0	F	5001.236
SRU2/013	50	38.0	F	5001.275
SRU2/018	80	70.0	L	5001.237
SRU3/027	80	70.0	L	5001.281
SRU3/038	80	70.0	L	5001.238
SRU4/055	100	97.6	P	5001.316
SRU4/079	100	97.6	P	5001.359
SRU5/116	100	97.6	P	5001.367
SRU5/168	150	120.0	Q	5001.240
SRU6/260	150	120.0	Q	
SRU6/353	150	120.0	Q	5001.241

Rotorcase	Fixing Stud (4 per adaptor)		Nut, Fixing Stud (4 per adaptor)	
	Part No.	Item No.	Part No.	Item No.
SRU1	6350.019	9630023949	5330.007	9630024061
SRU2 - Fixing is cap screw not stud	5990.052	9630021069	-	-
SRU3	6350.093	9630031415		
SRU4	6350.135	9630052259		
SRU5	6350.104	9630019863		
SRU6	5990.038	9630027137	-	-

Rotorcase	O-Ring, FPM (1 per adaptor)	
	Part No.	Item No.
SRU1/005	1551.033	9630075998
SRU1/008	1551.034	9630063230
SRU2/013	1551.035	9630087703
SRU2/018	1551.143	9630046200
SRU3/027	1551.151	9630077949
SRU3/038	1551.152	9630038937
SRU4/055	5380.403	9630043060
SRU4/079	5380.161	9630024291
SRU5/116	5380.292	9630031929
SRU5/168	1551.249	9630023462
SRU6/260	1551.259	9630040020
SRU6/353	1551.262	9630865829

Cover/Spline Sealing Kits – SRU Pump Models

Each kit comprises of Rotorcase Cover O-Ring and Rotor O-Rings for one pump.
 Kits for Relief Valve Covers also include Valve Piston O-Ring.

Pos	Qty	Denomination	SRU1 Item No.	SRU2 Item No.
		Cover Type: Plain – st.stl rotor, NBR	9630099423	9630099431
		Cover Type: Plain – st.stl rotor, EPDM	9630099424	9630099432
		Cover Type: Plain – st.stl rotor, FPM	9630099425	9630099433
		Cover Type: Plain – st.stl rotor, PTFE	9630099426	9630099434
		Cover Type: Plain – rubber rotor, NBR	-	9630099439
		Cover Type: Relief Valve, NBR	9630099427	9630099435
		Cover Type: Relief Valve, EPDM	9630099428	9630099436
		Cover Type: Relief Valve, FPM	9630099429	9630099437
		Cover Type: Relief Valve, PTFE	9630099430	9630099438

Pos	Qty	Denomination	SRU3 Item No.	SRU4 Item No.
		Cover Type: Plain – st.stl rotor, NBR	9630099440	9630099449
		Cover Type: Plain – st.stl rotor, EPDM	9630099441	9630099450
		Cover Type: Plain – st.stl rotor, FPM	9630099442	9630099451
		Cover Type: Plain – st.stl rotor, PTFE	9630099443	9630099452
		Cover Type: Plain – rubber rotor, NBR	9630099448	9630099457
		Cover Type: Relief Valve, NBR	9630099444	9630099453
		Cover Type: Relief Valve, EPDM	9630099445	9630099454
		Cover Type: Relief Valve, FPM	9630099446	9630099455
		Cover Type: Relief Valve, PTFE	9630099447	9630099456

Pos	Qty	Denomination	SRU5 Item No.	SRU6 Item No.
		Cover Type: Plain – st.stl rotor, NBR	9630099458	9630099467
		Cover Type: Plain – st.stl rotor, EPDM	9630099459	9630099468
		Cover Type: Plain – st.stl rotor, FPM	9630099460	9630099469
		Cover Type: Plain – st.stl rotor, PTFE	9630099461	9630099470
		Cover Type: Plain – rubber rotor, NBR	9630099466	9630099475
		Cover Type: Relief Valve, NBR	9630099462	9630099471
		Cover Type: Relief Valve, EPDM	9630099463	9630099472
		Cover Type: Relief Valve, FPM	9630099464	9630099473
		Cover Type: Relief Valve, PTFE	9630099465	9630099474

2 seals per pump. It is recommended to replace both sets of seals when wear dictates seal replacement

Pos	Qty Denomination	SRU1 Item No.	SRU2 Item No.
Rotary Seal /Stationary Seal Ring			
	Stainless Steel / Carbon, NBR	9630032046	9630033227
	Stainless Steel / Carbon, EPDM	9630026348	9630033228
	Stainless Steel / Carbon, FPM	9630032577	9630032841
	Stainless Steel / Carbon, FFPM	9630033226	9630033229
	Stainless Steel / Inserted Carbon, NBR	9630032044	9630033248
	Stainless Steel / Inserted Carbon, EPDM	9630033246	9630033250
	Stainless Steel / Inserted Carbon, FPM	9630033245	9630033249
	Stainless Steel / Inserted Carbon, FFPM	9630033247	9630033251
	Tungsten Carbide / Inserted Carbon, NBR	9630032048	9630033268
	Tungsten Carbide / Inserted Carbon, EPDM	9630033274	9630033277
	Tungsten Carbide / Inserted Carbon, FPM	9630033273	9630033276
	Tungsten Carbide / Inserted Carbon, FFPM	9630033275	9630033278
	Tungsten Carbide /Tungsten Carbide, NBR	9630032049	9630032473
	Tungsten Carbide /Tungsten Carbide, EPDM	9630033296	9630033299
	Tungsten Carbide /Tungsten Carbide, FPM	9630033295	9630033298
	Tungsten Carbide /Tungsten Carbide, FFPM	9630033297	9630033300
	Silicon Carbide / Inserted Carbon, NBR	9630090695	9630090697
	Silicon Carbide / Inserted Carbon, EPDM	9630090694	9630090696
	Silicon Carbide / Inserted Carbon, FPM	9630069887	9630024870
	Silicon Carbide / Inserted Carbon, FFPM	9630071429	9630090698
	Silicon Carbide /Silicon Carbide, NBR	9630032051	9630022584
	Silicon Carbide /Silicon Carbide, EPDM	9630056727	9630060647
	Silicon Carbide /Silicon Carbide, FPM	9630035318	9630060084
	Silicon Carbide /Silicon Carbide, FFPM	9630090693	9630030257
6	Anti-Rotation Pin	-	-
2	Spacer (over 10 bar only)	-	-
2	Spacer O-Ring (FPM)	-	9630024181

Additional parts to convert pump fitted with above R90 seals to single flushed seals

-	1 Conversion kit – BSPT	9630091217	9630091220
	1 Conversion kit – NPT	9630091218	9630091221

Conversion kits comprising of:-

75	1 Gasket	9630062179	-
	2 O-Ring (FPM)	-	9630063230
76	2 Lip Seal (FPM)	9630061801	9630061802
77	2 Spacer O-Ring (FPM)	9630034859	9630024181
77 a	2 Spacer	9630033407	-
79	2 Housing, BSPT	9630028370	9630032706
	2 Housing, BSPT	9630045526	9630045913
-	4 Stud	9630033405	9630052259
	4 Washer	-	9630024231
	4 Nut, Stud	9630024061	-

2 seals per pump. It is recommended to replace both sets of seals when wear dictates seal replacement

Pos	Qty	Denomination	SRU3 Item No.	SRU4 Item No.
Rotary Seal /Stationary Seal Ring				
		Stainless Steel / Carbon, NBR	9630033230	9630033114
		Stainless Steel / Carbon, EPDM	9630033231	9630033233
		Stainless Steel / Carbon, FPM	9630032908	9630032968
		Stainless Steel / Carbon, FFPM	9630033232	9630033234
		Stainless Steel / Inserted Carbon, NBR	9630033252	9630033253
		Stainless Steel / Inserted Carbon, EPDM	9630033257	9630033260
		Stainless Steel / Inserted Carbon, FPM	9630033256	9630033259
		Stainless Steel / Inserted Carbon, FFPM	9630033258	9630033261
		Tungsten Carbide / Inserted Carbon, NBR	9630033269	9630033270
		Tungsten Carbide / Inserted Carbon, EPDM	9630033280	9630033283
		Tungsten Carbide / Inserted Carbon, FPM	9630033279	9630033282
		Tungsten Carbide / Inserted Carbon, FFPM	9630033281	9630033284
		Tungsten Carbide /Tungsten Carbide, NBR	9630033291	9630033292
		Tungsten Carbide /Tungsten Carbide, EPDM	9630033302	9630033305
		Tungsten Carbide /Tungsten Carbide, FPM	9630033301	9630033304
		Tungsten Carbide /Tungsten Carbide, FFPM	9630033303	9630033306
		Silicon Carbide / Inserted Carbon, NBR	9630090699	9630042382
		Silicon Carbide / Inserted Carbon, EPDM	9630073216	9630087140
		Silicon Carbide / Inserted Carbon, FPM	9630090700	9630031835
		Silicon Carbide / Inserted Carbon, FFPM	9630090701	9630057619
		Silicon Carbide /Silicon Carbide, NBR	9630043322	9630090702
		Silicon Carbide /Silicon Carbide, EPDM	9630050713	9630061483
		Silicon Carbide /Silicon Carbide, FPM	9630035405	9630045054
		Silicon Carbide /Silicon Carbide, FFPM	9630073421	9630039376
	6	Anti-Rotation Pin		
	2	Spacer (over 10 bar only)	9630033143	9630028655
	2	Spacer O-Ring (FPM)		

Additional parts to convert pump fitted with above R90 seals to single flushed seals

-	1	Conversion kit – BSPT	9630091222	9630091224
	1	Conversion kit – NPT	9630091223	9630091225

Conversion kits comprising of:-

75	2	O-Ring (FPM)	9630921685	9630921686
76	2	Lip Seal (FPM)	9630061803	9630061804
77	2	Spacer O-Ring (FPM)		
77	2	Spacer	9630033143	9630028655
a				
79	2	Housing, BSPT	9630039927	9630032692
	2	Housing, NPT	9630046010	9630045824
	4	Stud		-
	4	Washer	9630024231	-
	4	Nut, Stud		-
	4	Screw	-	9630060520

2 seals per pump. It is recommended to replace both sets of seals when wear dictates seal replacement

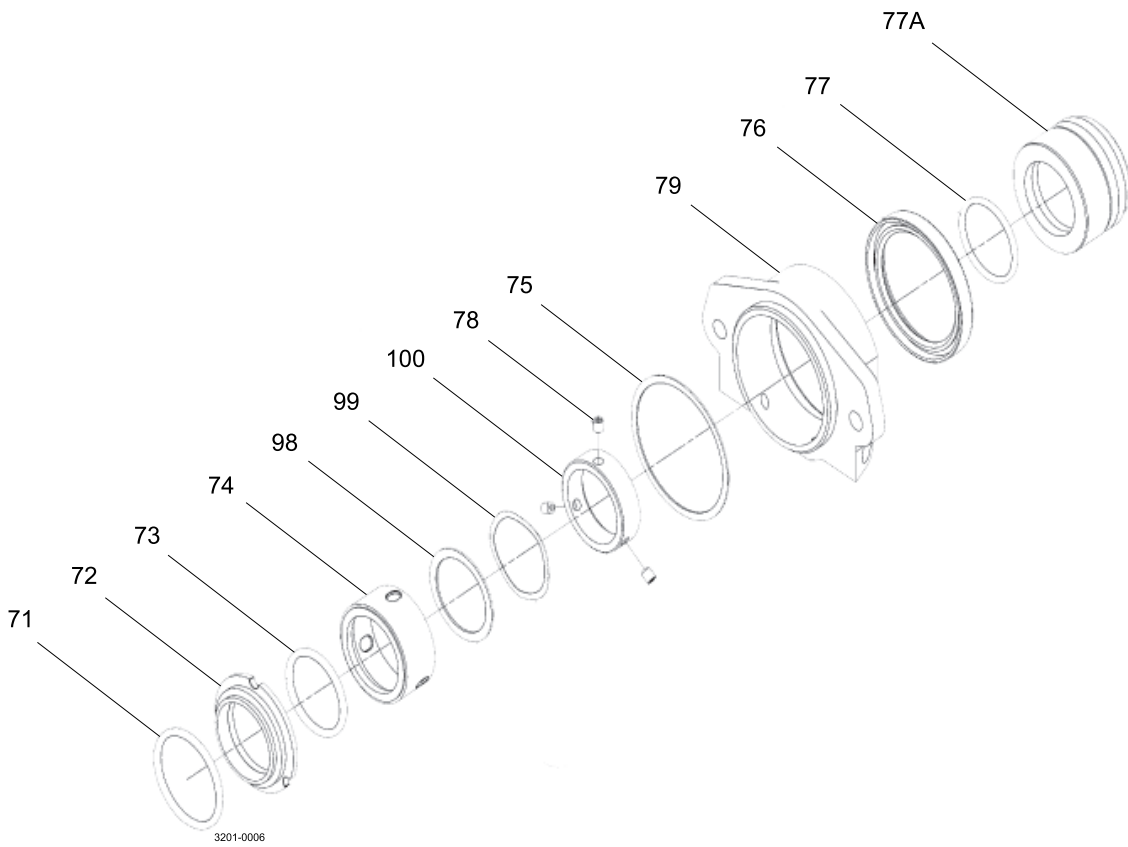
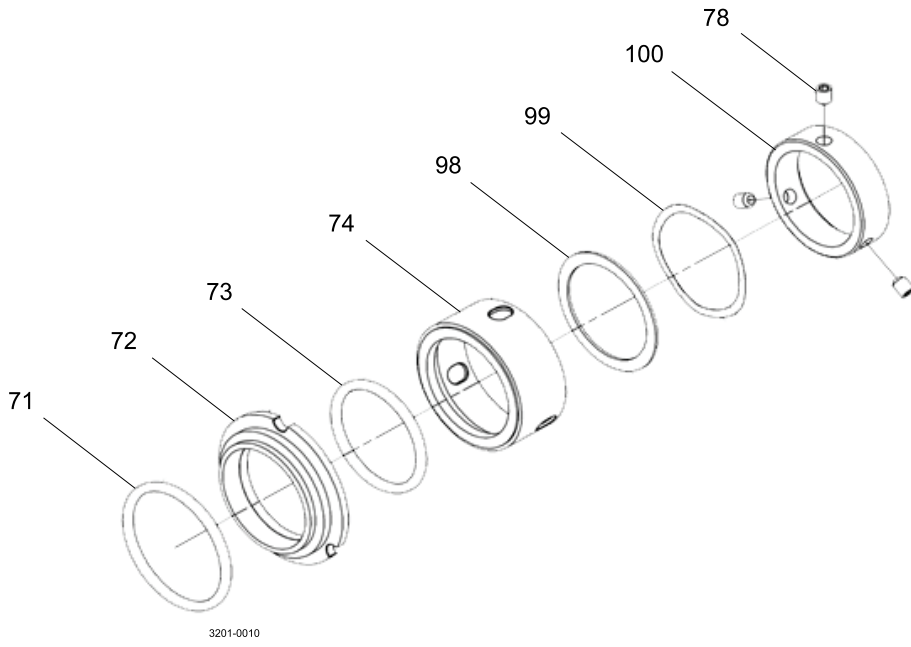
Pos	Qty	Denomination	SRU5 Item No.	SRU6 Item No.
Rotary Seal /Stationary Seal Ring				
		Stainless Steel / Carbon, NBR	9630033117	9630033237
		Stainless Steel / Carbon, EPDM	9630033235	9630033239
		Stainless Steel / Carbon, FPM	9630033118	9630033238
		Stainless Steel / Carbon, FFPM	9630033236	9630033240
		Stainless Steel / Inserted Carbon, NBR	9630033254	9630033255
		Stainless Steel / Inserted Carbon, EPDM	9630033263	9630033266
		Stainless Steel / Inserted Carbon, FPM	9630033262	9630033265
		Stainless Steel / Inserted Carbon, FFPM	9630033264	9630033267
		Tungsten Carbide / Inserted Carbon, NBR	9630033271	9630033272
		Tungsten Carbide / Inserted Carbon, EPDM	9630033286	9630033289
		Tungsten Carbide / Inserted Carbon, FPM	9630033285	9630033288
		Tungsten Carbide / Inserted Carbon, FFPM	9630033287	9630033290
		Tungsten Carbide /Tungsten Carbide, NBR	9630033293	9630033294
		Tungsten Carbide /Tungsten Carbide, EPDM	9630033308	9630033311
		Tungsten Carbide /Tungsten Carbide, FPM	9630033307	9630033310
		Tungsten Carbide /Tungsten Carbide, FFPM	9630033309	9630033312
		Silicon Carbide / Inserted Carbon, NBR	9630087180	9630090707
		Silicon Carbide / Inserted Carbon, EPDM	9630090703	9630032866
		Silicon Carbide / Inserted Carbon, FPM	9630090704	9630028988
		Silicon Carbide / Inserted Carbon, FFPM	9630085989	9630069377
		Silicon Carbide /Silicon Carbide, NBR	9630062756	9630090705
		Silicon Carbide /Silicon Carbide, EPDM	9630057537	9630077819
		Silicon Carbide /Silicon Carbide, FPM	9630045055	9630032232
		Silicon Carbide /Silicon Carbide, FFPM	9630045555	9630090706
	6	Anti-Rotation Pin		
	2	Spacer (over 10 bar only)		
	2	Spacer O-Ring (FPM)		9630024289

Additional parts to convert pump fitted with above R90 seals to single flushed seals

1	Conversion kit – BSPT	9630091227	9630091229
1	Conversion kit – NPT	9630091228	9630091230

Conversion kits comprising of:-

75	2	O-Ring (FPM)	9630921683	9630921687
76	2	Lip Seal (FPM)		9630061806
77	2	Spacer O-Ring (FPM)		9630024289
77	2	Spacer		
a				
79	2	Housing, BSPT	9630022756	9630032590
	2	Housing, NPT	9630045839	9630046167
	4	Stud	9630019863	
	4	Washer	9630024233	9630024233
	4	Nut, Stud		



R90 Single Mechanical Seals (Parts) – SRU1 to SRU6 Pump Models

Pos	Qty	Denomination	SRU1 Item No.	SRU2 Item No.
71	2	Stationary Seal Ring O-Ring, NBR	9630028449	9630027299
	2	Stationary Seal Ring O-Ring, EPDM	9630027782	9630028377
	2	Stationary Seal Ring O-Ring, FPM		9630028379
72	2	Stationary Seal Ring O-Ring, FFPM	9630019763	9630028374
	2	Stationary Seal Ring, Solid Carbon	9630026215	9630026164
	2	Stationary Seal Ring, Inserted Carbon	9630025257	9630025258
	2	Stationary Seal Ring, Tungsten Carbide	9630029728	9630026168
	2	Stationary Seal Ring, Silicon Carbide	9630026003	9630044552
73	2	Rotary Seal Ring O-Ring, NBR	9630028460	9630027301
	2	Rotary Seal Ring O-Ring, EPDM	9630028446	9630028378
	2	Rotary Seal Ring O-Ring, FPM		9630028380
	2	Rotary Seal Ring O-Ring, FFPM	9630028382	9630028375
74	2	Rotary Seal Assembly, Stainless Steel	9630030218	9630030219
	2	Rotary Seal Assembly, Tungsten Carbide	9630026464	9630026570
	2	Rotary Seal Assembly, Silicon Carbide	9630027025	9630027024
Note: Rotary Seal Assembly (74) comprises of rotary seal ring, washer (98), wave spring (99), drive ring (100) and grub screw (78)				
78	6	Grub Screw,	9630030298	9630030298
98	2	Washer,	9630045430	9630045431
99	2	Wave Spring (see note 1)	9630026769	9630026770

Pos	Qty	Denomination	SRU3 Item No.	SRU4 Item No.
71	2	Stationary Seal Ring O-Ring, NBR	9630028368	9630028260
	2	Stationary Seal Ring O-Ring, EPDM	9630028321	9630025642
	2	Stationary Seal Ring O-Ring, FPM		
72	2	Stationary Seal Ring O-Ring, FFPM	9630028266	9630026096
	2	Stationary Seal Ring, Solid Carbon	9630026163	9630017815
	2	Stationary Seal Ring, Inserted Carbon	9630026162	9630035092
	2	Stationary Seal Ring, Tungsten Carbide	9630017810	9630026167
	2	Stationary Seal Ring, Silicon Carbide	9630027021	9630027020
73	2	Rotary Seal Ring O-Ring, NBR	9630024280	9630028263
	2	Rotary Seal Ring O-Ring, EPDM	9630024206	9630025646
	2	Rotary Seal Ring O-Ring, FPM		
	2	Rotary Seal Ring O-Ring, FFPM	9630024254	9630026094
74	2	Rotary Seal Assembly, Stainless Steel	9630026877	9630026882
	2	Rotary Seal Assembly, Tungsten Carbide	9630026569	9630026585
	2	Rotary Seal Assembly, Silicon Carbide	9630027023	9630045909
Note: Rotary Seal Assembly (74) comprises of rotary seal ring, washer (98), wave spring (99), drive ring (100) and grub screw (78)				
78	6	Grub Screw	9630030298	9630030299
98	2	Washer	9630045432	9630045433
99	2	Wave Spring (see note 1)	9630022957	9630026228

Pos	Qty	Denomination	SRU5 Item No.	SRU6 Item No.
71	2	Stationary Seal Ring O-Ring, NBR	9630025417	9630027486
	2	Stationary Seal Ring O-Ring, EPDM	9630025437	9630029893
	2	Stationary Seal Ring O-Ring, FPM		9630029897
72	2	Stationary Seal Ring O-Ring, FFPM	9630025846	9630029885
	2	Stationary Seal Ring, Solid Carbon	9630026196	9630029729
	2	Stationary Seal Ring, Inserted Carbon	9630026207	9630026165
	2	Stationary Seal Ring, Tungsten Carbide	9630026219	9630026193
	2	Stationary Seal Ring, Silicon Carbide	9630044328	9630027019
73	2	Rotary Seal Ring O-Ring, NBR	9630026648	9630026625
	2	Rotary Seal Ring O-Ring, EPDM	9630025314	9630029896
	2	Rotary Seal Ring O-Ring, FPM		9630026693
	2	Rotary Seal Ring O-Ring, FFPM	9630026704	9630029889
74	2	Rotary Seal Assembly, Stainless Steel	9630026172	9630026449
	2	Rotary Seal Assembly, Tungsten Carbide	9630026584	9630022294
	2	Rotary Seal Assembly, Silicon Carbide	9630027022	9630046520
Note: Rotary Seal Assembly (74) comprises of rotary seal ring, washer (98), wave spring (99), drive ring (100) and grub screw (78)				
78	6	Grub Screw	9630027891	9630034730
98	2	Washer	9630045434	9630045435
99	2	Wave Spring (see note 1)	9630026208	-
	12	Coil Spring	-	9630026227

2 seals per pump. It is recommended to replace both sets of seals when wear dictates seal replacement.

Inboard Seal Rotary Seal / Stationary Seal Ring	Outboard Seal Rotary Seal / Stationary Seal Ring	Inboard Seal O-Ring	Outboard Seal O-Ring	SRU1 Item No.
Stainless Steel / Carbon	Stainless Steel / Carbon	NBR	NBR	9630043289
		EPDM	EPDM	9630028617
		FPM	FPM	
		FFPM	FFPM	
		FFPM	NBR	
Stainless Steel / Inserted Carbon	Stainless Steel / Inserted Carbon	FFPM	EPDM	9630042850
		FFPM	FPM	9630049527
		NBR	NBR	9630056927
		EPDM	EPDM	
		FPM	FPM	
FFPM	FFPM			
Tungsten Carbide / Tungsten Carbide	Stainless Steel / Carbon	FFPM	NBR	9630034043
		FFPM	EPDM	9630041636
		FFPM	FPM	
		FFPM	FFPM	
		FFPM	NBR	
Tungsten Carbide / Tungsten Carbide	Tungsten Carbide / Tungsten Carbide	FFPM	EPDM	9630025112
		FFPM	FPM	9630040458
		FFPM	EPDM	9630044855
		FFPM	FPM	
		FFPM	FFPM	
Silicon Carbide / Silicon Carbide	Stainless Steel / Carbon	FFPM	NBR	9630026649
		FFPM	EPDM	
		FFPM	FPM	
		FFPM	FFPM	
		NBR	NBR	

Note: Above are listed the most common seal ring / O-ring combinations – for other combinations see p.78

Pos	Qty	Denomination	SRU1 Item No.
75	1	Gasket	9630062179
79	2	Housing, BSPT	9630040244
	2	Housing, NPT	9630029155
-	4	Elbow, BSPT	9630034032
	4	Elbow, NPT	9630034033
	4	Stud	9630033404
	4	Nut, Stud	9630024061

Note: Elbows only required on horizontally ported pumps with flanged connections.

2 seals per pump. It is recommended to replace both sets of seals when wear dictates seal replacement.

	Inboard Seal Rotary Seal / Stationary Seal Ring	Outboard Seal Rotary Seal / Stationary Seal Ring	Inboard Seal O-Ring	Outboard Seal O-Ring	SRU2 Item No.
	Stainless Steel / Carbon	Stainless Steel / Carbon	NBR EPDM FPM FFPM FFPM FFPM FFPM	NBR EPDM FPM FFPM NBR EPDM FPM	9630034680 9630044938 9630034198 9630058326 9630045689 9630049526
	Stainless Steel / Inserted Carbon	Stainless Steel / Inserted Carbon	NBR EPDM FPM FFPM FFPM FFPM FFPM	NBR EPDM FPM FFPM NBR EPDM FPM	9630037819 9630099017 9630094530 9630035263 9630092088
	Tungsten Carbide / Tungsten Carbide	Stainless Steel / Carbon	NBR EPDM FPM PTFE PTFE PTFE PTFE	NBR EPDM FPM PTFE NBR EPDM FPM	9630040399 9630041786 9630034946 9630039321 9630033456 9630025526
	Tungsten Carbide / Tungsten Carbide	Tungsten Carbide / Tungsten Carbide	NBR EPDM FPM FFPM FFPM FFPM FFPM	NBR EPDM FPM FFPM NBR EPDM FPM	9630056098 9630035369 9630035299 9630052091
	Silicon Carbide / Silicon Carbide	Stainless Steel / Carbon	NBR EPDM FPM FFPM FFPM FFPM FFPM	NBR EPDM FPM FFPM NBR EPDM FPM	9630040268
	Silicon Carbide / Silicon Carbide	Silicon Carbide / Silicon Carbide	NBR EPDM FPM FFPM FFPM FFPM FFPM	NBR EPDM FPM FFPM NBR EPDM FPM	9630051630

Note: Above are listed the most common seal ring / O-ring combinations – for other combinations see p78

Pos	Qty	Denomination	SRU2 Item No.
75	2	O-Ring (FPM)	9630063230
79	2	Housing, BSPT	9630040952
	2	Housing, NPT	9630038226
-	4	Elbow, BSPT	9630034032
	4	Elbow, NPT	9630034033
	4	Stud	
	4	Nut, Stud	

Note: Elbows only required on horizontally ported pumps with flanged connections.

2 seals per pump. It is recommended to replace both sets of seals when wear dictates seal replacement.

		Inboard Seal Rotary Seal / Stationary Seal Ring	Outboard Seal Rotary Seal / Stationary Seal Ring	Inboard Seal O-Ring	Outboard Seal O-Ring	SRU3 Item No.
		Stainless Steel / Carbon	Stainless Steel / Carbon	NBR EPDM FPM FFPM FFPM FFPM	NBR EPDM FPM FFPM NBR EPDM FPM	9630032602 9630046017 9630032969 9630036747 9630040110 9630043245 9630039276
		Stainless Steel / Inserted Carbon	Stainless Steel / Inserted Carbon	NBR EPDM FPM FFPM FFPM FFPM	NBR EPDM FPM FFPM NBR EPDM FPM	9630043303
		Tungsten Carbide / Tungsten Carbide	Stainless Steel / Carbon	NBR EPDM FPM FFPM FFPM FFPM	NBR EPDM FPM FFPM NBR EPDM FPM	9630037420 9630028328 9630025967 9630051218 9630080288
		Tungsten Carbide / Tungsten Carbide	Tungsten Carbide / Tungsten Carbide	NBR EPDM FPM FFPM FFPM FFPM	NBR EPDM FPM FFPM NBR EPDM FPM	9630067827 9630049354 9630091612
		Silicon Carbide / Silicon Carbide	Stainless Steel / Carbon	NBR EPDM FPM FFPM FFPM FFPM	NBR EPDM FPM FFPM NBR EPDM FPM	9630061788
		Silicon Carbide / Silicon Carbide	Silicon Carbide / Silicon Carbide	NBR EPDM FPM FFPM FFPM FFPM	NBR EPDM FPM FFPM NBR EPDM FPM	9630061482 9630051631

Note: Above are listed the most common seal ring / O-ring combinations – for other combinations see p.78.

Pos	Qty	Denomination	SRU3 Item No.
75	2	O-Ring (FPM)	9630921685
79	2	Housing, BSPT	9630032543
	2	Housing, NPT	9630046719
-	4	Elbow, BSPT	9630034032
	4	Elbow, NPT	9630034033
	4	Stud	
	4	Nut, Stud	

Note: Elbows only required on horizontally ported pumps with flanged connections

2 seals per pump. It is recommended to replace both sets of seals when wear dictates seal replacement.

Inboard Seal Rotary Seal / Stationary Seal Ring	Outboard Seal Rotary Seal / Stationary Seal Ring	Inboard Seal O-Ring	Outboard Seal O-Ring	SRU4 Item No.
Stainless Steel / Carbon	Stainless Steel / Carbon	NBR EPDM FPM FFPM FFPM FFPM FFPM	NBR EPDM FPM FFPM NBR EPDM FPM	9630033040 9630029604 9630032970 9630034370
				9630022782 9630039738
Stainless Steel / Inserted Carbon	Stainless Steel / Inserted Carbon	NBR EPDM FPM FFPM FFPM FFPM FFPM	NBR EPDM FPM FFPM NBR EPDM FPM	9630044147 9630057429
Tungsten Carbide / Tungsten Carbide	Stainless Steel / Carbon	NBR EPDM FPM FFPM FFPM FFPM FFPM	NBR EPDM FPM FFPM NBR EPDM FPM	9630037201 9630039271 9630020899 9630042973
				9630022459
Tungsten Carbide / Tungsten Carbide	Tungsten Carbide / Tungsten Carbide	NBR EPDM FPM FFPM FFPM FFPM FFPM	NBR EPDM FPM FFPM NBR EPDM FPM	9630066039 9630061973 9630050779 9630060209
Silicon Carbide / Silicon Carbide	Stainless Steel / Carbon	NBR EPDM FPM FFPM FFPM FFPM FFPM	NBR EPDM FPM FFPM NBR EPDM FPM	9630097660 9630085532
Silicon Carbide / Silicon Carbide	Silicon Carbide / Silicon Carbide	NBR EPDM FPM FFPM FFPM FFPM FFPM	NBR EPDM FPM FFPM NBR EPDM FPM	

Note: Above are listed the most common seal ring / O-Ring combinations – for other combinations see p.78.

Pos	Qty	Denomination	SRU4 Item No.
75	2	O-Ring (FPM)	9630921686
79	2	Housing, BSPT	9630023635
-	2	Housing, NPT	9630045904
-	4	Elbow, BSPT	9630034032
-	4	Elbow, NPT	9630034033
-	4	Stud	9630025823
-	4	Nut, Stud	

Note: Elbows only required on horizontally ported pumps with flanged connections.

2 seals per pump. It is recommended to replace both sets of seals when wear dictates seal replacement.

Inboard Seal Rotary Seal / Stationary Seal Ring	Outboard Seal Rotary Seal / Stationary Seal Ring	Inboard Seal O-Ring	Outboard Seal O-Ring	SRU5 Item No.
Stainless Steel / Carbon	Stainless Steel / Carbon	NBR EPDM FPM FFPM FFPM FFPM FFPM	NBR EPDM FPM FFPM NBR EPDM FPM	9630039093 9630046016 9630042534 9630056839
Stainless Steel / Inserted Carbon	Stainless Steel / Inserted Carbon	NBR EPDM FPM FFPM FFPM FFPM FFPM	NBR EPDM FPM FFPM NBR EPDM FPM	9630039757 9630054831 9630091324
Tungsten Carbide / Tungsten Carbide	Stainless Steel / Carbon	NBR EPDM FPM FFPM FFPM FFPM FFPM	NBR EPDM FPM FFPM NBR EPDM FPM	9630039760 9630040624 9630020927 9630045112 9630045614
Tungsten Carbide / Tungsten Carbide	Tungsten Carbide / Tungsten Carbide	NBR EPDM FPM FFPM FFPM FFPM FFPM	NBR EPDM FPM FFPM NBR EPDM FPM	9630061989 9630048424 9630065194
Silicon Carbide / Silicon Carbide	Stainless Steel / Carbon	NBR EPDM FPM PTFE PTFE PTFE PTFE	NBR EPDM FPM PTFE NBR EPDM FPM	9630050392
Silicon Carbide / Silicon Carbide	Silicon Carbide / -RSilicon Carbide	NBR EPDM FPM FFPM FFPM FFPM FFPM	NBR EPDM FPM FFPM NBR EPDM FPM	9630096517 9630097136 9630051629

Note: Above are listed the most common seal ring / O-Ring combinations – for other combinations see p.78.

Pos	Qty	Denomination	SRU5 Item No.
75	2	O-Ring (FPM)	9630921683
79	2	Housing, BSPT	9630040950
	2	Housing, NPT	9630046650
-	4	Stud	9630028904
	4	Nut, Stud	

2 seals per pump. It is recommended to replace both sets of seals when wear dictates seal replacement.

Inboard Seal Rotary Seal / Stationary Seal Ring	Outboard Seal Rotary Seal / Stationary Seal Ring	Inboard Seal O-Ring	Outboard Seal O-Ring	SRU6 Item No.
Stainless Steel / Carbon	Stainless Steel / Carbon	NBR	NBR	9630022646
		EPDM	EPDM	9630039516
Stainless Steel / Inserted Carbon	Stainless Steel / Inserted Carbon	FPM	FPM	9630026239
		FFPM	FFPM	
Tungsten Carbide / Tungsten Carbide	Stainless Steel / Carbon	FFPM	NBR	9630030293
		FFPM	EPDM	9630030215
Tungsten Carbide / Tungsten Carbide	Tungsten Carbide / Tungsten Carbide	FFPM	FPM	9630039743
		FFPM	FFPM	9630039742
Silicon Carbide / Silicon Carbide	Stainless Steel / Carbon	FFPM	NBR	9630041470
		FFPM	EPDM	9630039523
Silicon Carbide / Silicon Carbide	Silicon Carbide / Silicon Carbide	FFPM	FPM	
		FFPM	FFPM	9630052953
Stainless Steel / Carbon	Stainless Steel / Carbon	FFPM	NBR	9630100941
		FFPM	EPDM	9630064992
Stainless Steel / Carbon	Stainless Steel / Carbon	FFPM	FPM	
		FFPM	FFPM	
Stainless Steel / Carbon	Stainless Steel / Carbon	FFPM	NBR	9630097671
		FFPM	EPDM	
Stainless Steel / Carbon	Stainless Steel / Carbon	FFPM	FPM	9630097671
		FFPM	FFPM	

Note: Above are listed the most common seal ring / O-Ring combinations – for other combinations see p.78.

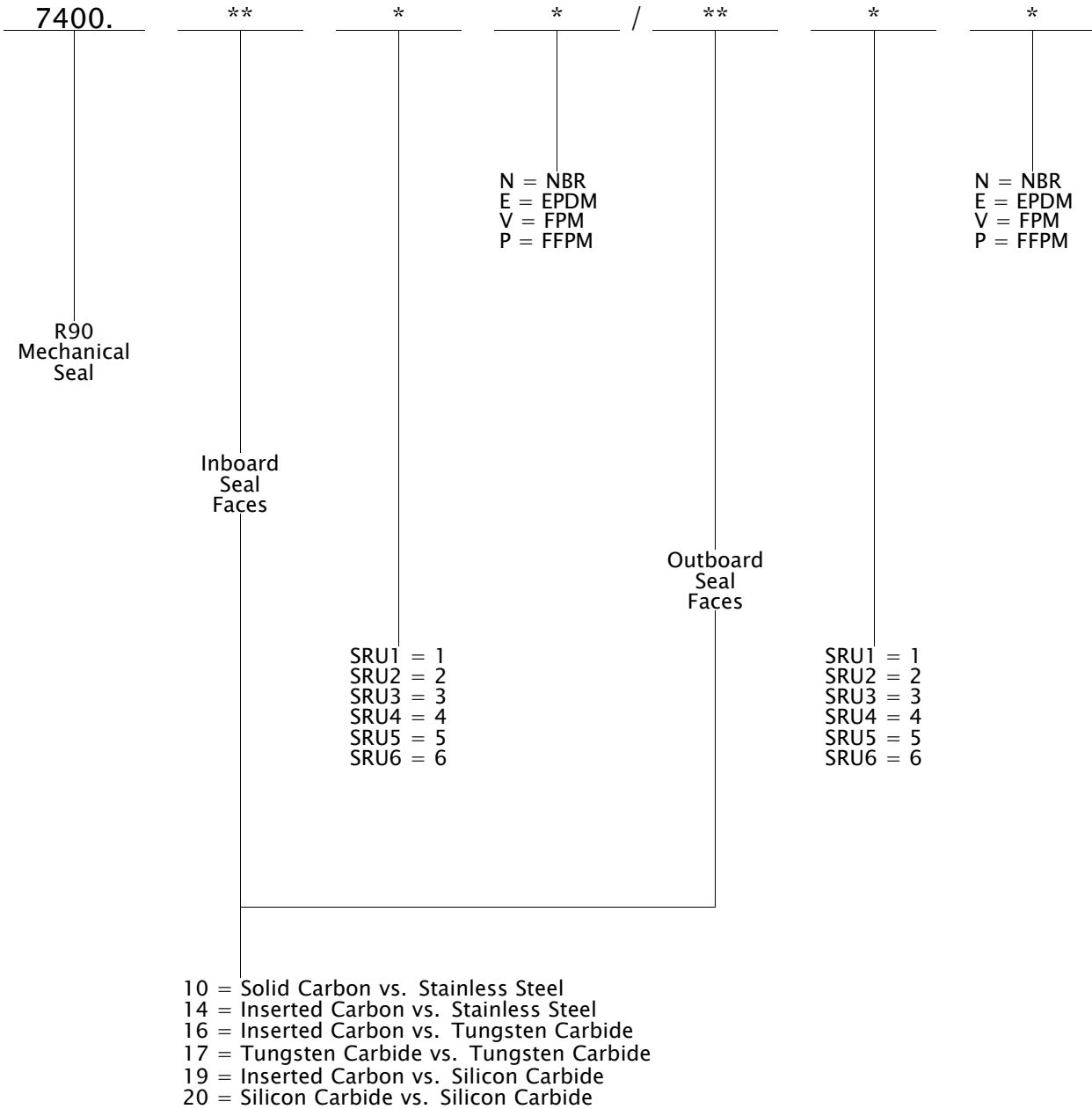
Note: For SRU6 seals where inboard and outboard seals are different, then there is an additional "P" in the part number to distinguish between SRU6 seals and A7-0550 (AP550) and G7-0550 (GP550) seals

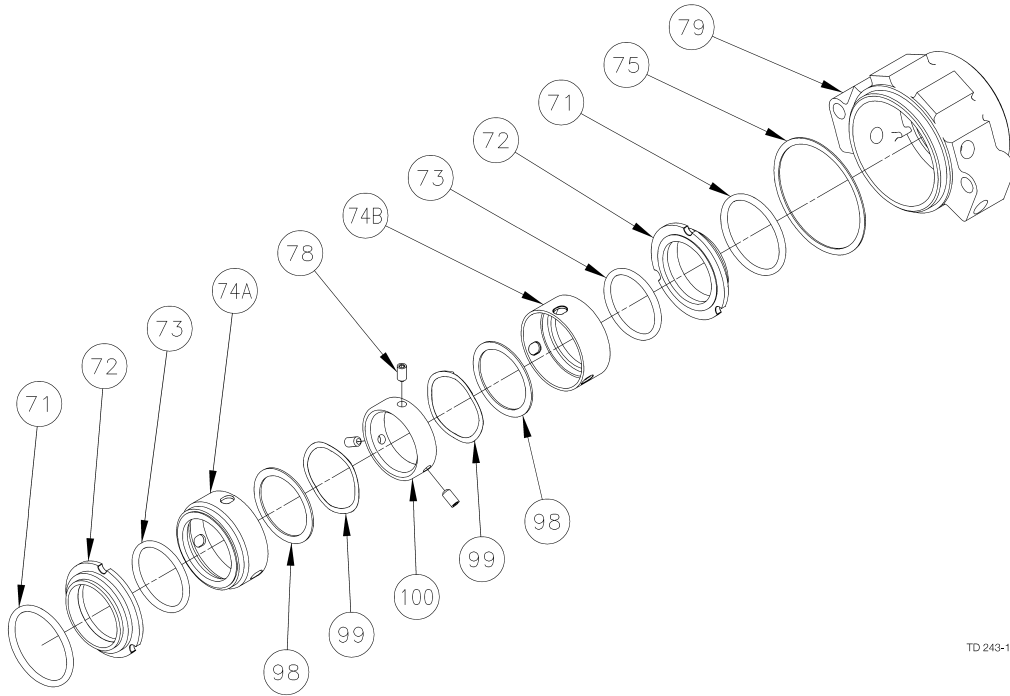
Pos	Qty	Denomination	SRU6 Item No.
75	2	O-Ring (FPM)	9630921687
79	2	Housing, BSPT	9630028630
	2	Housing, NPT	9630047130
-	4	Screw	9630024589

The table below shows how to create the complete seal part number.

Example: 7400.174V/144V

Double R90 seal with Tungsten Carbide vs. Tungsten Carbide faces inboard with FPM product wetted O-rings and Inserted Carbon vs. Stainless Steel outboard faces with FPM flush wetted O-rings for SRU4 pump model.





TD 243-107

R90 Double Mechanical Seals (Parts) – SRU1 to SRU6 Pump Models

Pos	Qty	Denomination	SRU1 Item No	SRU2 Item No
R90 Double Mechanical Seals (Parts) – SRU1 and SRU2 Pump Models				
71	4	Stationary Seal Ring O–Ring, NBR	9630028449	9630027299
	4	Stationary Seal Ring O–Ring, EPDM	9630027782	9630028377
	4	Stationary Seal Ring O–Ring, FPM		9630028379
	4	Stationary Seal Ring O–Ring, FFPM	9630019763	9630028374
72	4	Stationary Seal Ring (inboard and outboard), Solid Carbon	9630026215	9630026164
	4	Stationary Seal Ring (inboard and outboard), Inserted Carbon	9630025257	9630025258
	4	Stationary Seal Ring (inboard and outboard), Tungsten Carbide	9630029728	9630026168
	4	Stationary Seal Ring (inboard and outboard), Silicon Carbide	9630026003	9630044552
73	4	Rotary Seal Ring O–Ring, NBR	9630028460	9630027301
	4	Rotary Seal Ring O–Ring, EPDM	9630028446	9630028378
	4	Rotary Seal Ring O–Ring, FPM		9630028380
	4	Rotary Seal Ring O–Ring, FFPM	9630028382	9630028375
74 a	2	Rotary Seal Assembly (inboard), Stainless Steel	9630030218	9630025252
	2	Rotary Seal Assembly (inboard), Tungsten Carbide	9630026464	9630026209
	2	Rotary Seal Assembly (inboard), Silicon Carbide	9630027025	9630044551
74 b	2	Rotary Seal Assembly (outboard), Stainless Steel	9630025251	9630030219
	2	Rotary Seal Assembly (outboard), Tungsten Carbide	9630030106	9630026570
	2	Rotary Seal Assembly (outboard), Silicon Carbide	9630027018	9630027024

Note:

SRU1 pump – Rotary Seal Assembly Inboard (74A) comprises of rotary seal ring, wave spring (99), washer (98), drive ring (100) and grub screw (78). Rotary Seal Assembly Outboard (74B) comprises of rotary seal ring, wave spring (99) and washer (98).
 SRU2 pump – Rotary Seal Assembly Inboard (74A) comprises of rotary seal ring, wave spring (99) and washer (98) . Rotary Seal Assembly Outboard (74B) comprises of rotary seal ring, wave spring (99), washer (98) grub screw (78) and drive ring (100).

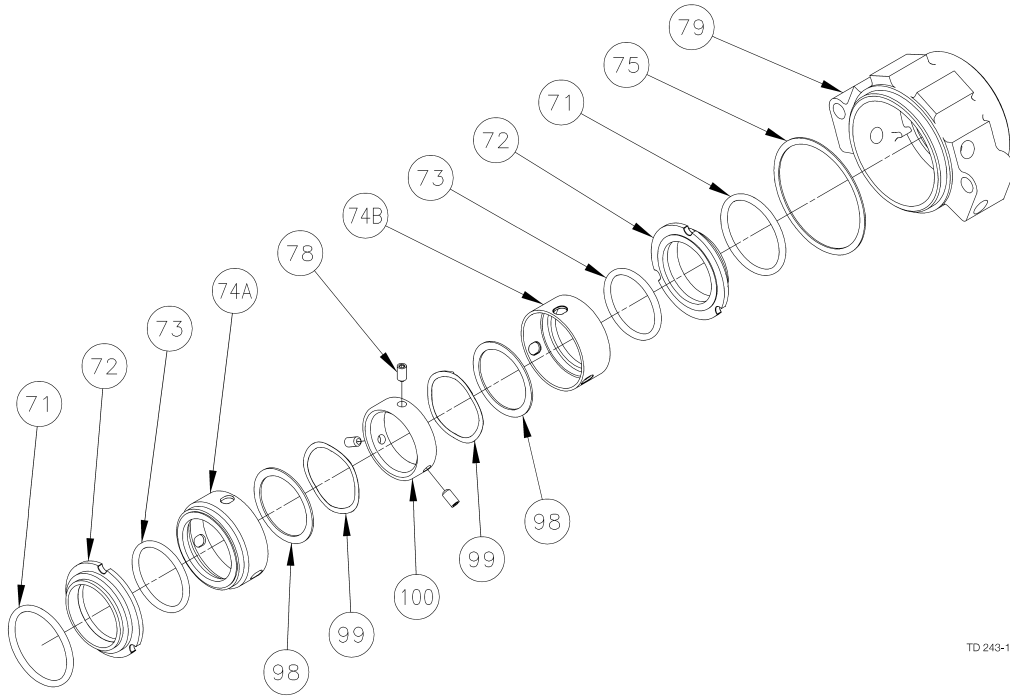
78	6	Grub Screw	9630030299	9630030299
98	4	Washer	9630045430	9630045431
99	4	Wave Spring (see note 1)	9630026769	9630026770
100	2	Drive Ring	9630064227	9630064228

Pos	Qty	Denomination	SRU3 Item No	SRU4 Item No
R90 Double Mechanical Seals (Parts) – SRU3 and SRU4 Pump Models				
71	4	Stationary Seal Ring O–Ring, NBR	9630028368	9630028260
	4	Stationary Seal Ring O–Ring, EPDM	9630028321	9630025642
	4	Stationary Seal Ring O–Ring, FPM		
	4	Stationary Seal Ring O–Ring, FFPM	9630028266	9630026096
72	4	Stationary Seal Ring (inboard or outboard), Solid Carbon	9630026163	9630017815
	4	Stationary Seal Ring (inboard or outboard), Inserted Carbon	9630026162	9630035092
	4	Stationary Seal Ring (inboard or outboard), Tungsten Carbide	9630017810	9630026167
	4	Stationary Seal Ring (inboard or outboard), Silicon Carbide	9630027021	9630027020
73	4	Rotary Seal Ring O–Ring, NBR	9630024280	9630028263
	4	Rotary Seal Ring O–Ring, EPDM	9630024206	9630025646
	4	Rotary Seal Ring O–Ring, FPM		
	4	Rotary Seal Ring O–Ring, FFPM	9630024254	9630026094
74 a	2	Rotary Seal Assembly (inboard), Stainless Steel	9630026160	9630025253
	2	Rotary Seal Assembly (inboard), Tungsten Carbide	9630025255	9630026217
	2	Rotary Seal Assembly (inboard), Silicon Carbide	9630027017	9630027016
74 b	2	Rotary Seal Assembly (outboard), Stainless Steel	9630026877	9630026882
	2	Rotary Seal Assembly (outboard), Tungsten Carbide	9630026569	9630026585
	2	Rotary Seal Assembly (outboard), Silicon Carbide	9630027023	9630045909

Note:

Rotary Seal Assembly Inboard (74A) comprises of rotary seal ring, wave spring (99) and washer (98) . Rotary Seal Assembly Outboard (74B) comprises of rotary seal ring, wave spring (99), washer (98) grub screw (78) and drive ring (100).

78	6	Grub Screw	9630030299	
98	4	Washer	9630045432	9630045433
99	4	Wave Spring (see note 1)	9630022957	9630026228
100	2	Drive Ring	9630064229	9630064230



TD 243-107

R90 Double Mechanical Seals (Parts) – SRU1 to SRU6 Pump Models

Pos	Qty	Denomination	SRU5 Item No	SRU6 Item No
R90 Double Mechanical Seals (Parts) – SRU5 and SRU6 Pump Models				
71	4	Stationary Seal Ring O-Ring, NBR	9630025417	9630027486
	4	Stationary Seal Ring O-Ring, EPDM	9630025437	9630029893
	4	Stationary Seal Ring O-Ring, FPM		9630029897
	4	Stationary Seal Ring O-Ring, FFPM	9630025846	9630029885
72	4	Stationary Seal Ring (inboard or outboard), Solid Carbon .	9630026196	9630029729
	4	Stationary Seal Ring (inboard or outboard), Inserted Carbon	9630026207	9630026165
	4	Stationary Seal Ring (inboard or outboard), Tungsten Carbide	9630026219	9630026193
	4	Stationary Seal Ring (inboard or outboard), Silicon Carbide	9630044328	9630027019
73	4	Rotary Seal Ring O-Ring, NBR	9630026648	9630026625
	4	Rotary Seal Ring O-Ring, EPDM	9630025314	9630029896
	4	Rotary Seal Ring O-Ring, FPM		9630026693
	4	Rotary Seal Ring O-Ring, FFPM	9630026704	9630029889
74 a	2	Rotary Seal Assembly (inboard), Stainless Steel	9630026210	9630025254
	2	Rotary Seal Assembly (inboard), Tungsten Carbide	9630025256	9630026166
	2	Rotary Seal Assembly (inboard), Silicon Carbide	9630026651	9630026650
74 b	2	Rotary Seal Assembly (outboard), Stainless Steel	9630026172	9630026449
	2	Rotary Seal Assembly (outboard), Tungsten Carbide	9630026584	9630022294
	2	Rotary Seal Assembly (outboard), Silicon Carbide	9630027022	9630046520

Note:

Rotary Seal Assembly Inboard (74A) comprises of rotary seal ring, wave spring (99) and washer (98) . Rotary Seal Assembly Outboard (74B) comprises of rotary seal ring, wave spring (99), washer (98) grub screw (78) and drive ring (100).

78	6	Grub Screw	9630030300	9630026071
98	4	Washer	9630045434	9630045435
99	4	Wave Spring (see note 1)	9630026208	-
	24	Coil Spring	-	9630026227
10 0	2	Drive Ring	9630064231	9630058823

Hyclean Single Mechanical Seals (Complete) – SRU1 to SRU6 Pump Models

Pos	Qty	Denomination	SRU1 Item No.	SRU2 Item No.
2 seals per pump. It is recommended to replace both sets of seals when wear dictates seal replacement				
		Rotary Seal/Stationary Seal Ring – Stainless Steel/Carbon, NBR	9630070142	9630046729
		Rotary Seal/Stationary Seal Ring – Stainless Steel/Carbon, EPDM	9630053608	9630046731
		Rotary Seal/Stationary Seal Ring – Stainless Steel/Carbon, FPM	9630060999	9630046730
		Rotary Seal/Stationary Seal Ring – Silicon Carbide/Carbon, NBR	9630090687	9630046745
		Rotary Seal/Stationary Seal Ring – Silicon Carbide/Carbon, EPDM	9630090686	9630046747
		Rotary Seal/Stationary Seal Ring – Silicon Carbide/Carbon, FPM	9630057357	9630046746
		Rotary Seal/Stationary Seal Ring – Silicon Carbide/Silicon Carbide, NBR	9630090685	9630046758
		Rotary Seal/Stationary Seal Ring – Silicon Carbide/Silicon Carbide, EPDM	9630053609	9630046760
		Rotary Seal/Stationary Seal Ring – Silicon Carbide/Silicon Carbide, FPM	9630065312	9630046759

Additional parts to convert pump fitted with above Hyclean seals to single flushed seals

-	1	Conversion kit – BSPT	9630091231	9630091233
-	1	Conversion kit – NPT	9630091232	9630091234

Conversion kits comprising of:-

79	2	Housing, BSPT	9630054246	9630034722
	2	Housing, NPT	9630054248	9630041956
87	2	O-Ring (FPM)	9630027378	9630037158
88	2	Lip Seal (FPM)	9630054231	9630043050
-	4	Screw, Housing		9630024601

Pos	Qty	Denomination	SRU3 Item No.	SRU4 Item No.
		Rotary Seal /Stationary Seal Ring – Stainless Steel / Carbon, NBR	9630046733	9630046737
		Rotary Seal /Stationary Seal Ring – Stainless Steel / Carbon, EPDM	9630046735	9630046741
		Rotary Seal /Stationary Seal Ring – Stainless Steel / Carbon, FPM	9630046734	9630046740
		Rotary Seal /Stationary Seal Ring – Silicon Carbide / Carbon, NBR	9630046749	9630046752
		Rotary Seal /Stationary Seal Ring – Silicon Carbide / Carbon, EDPM	9630046751	9630046754
		Rotary Seal /Stationary Seal Ring – Silicon Carbide / Carbon, FPM	9630046750	9630046753
		Rotary Seal /Stationary Seal Ring – Silicon Carbide /Silicon Carbide, NBR	9630046761	9630046765
		Rotary Seal /Stationary Seal Ring – Silicon Carbide /Silicon Carbide, EPDM	9630046763	9630046767
		Rotary Seal /Stationary Seal Ring – Silicon Carbide /Silicon Carbide, FPM	9630046762	9630046766

Additional parts to convert pump fitted with above Hyclean seals to single flushed seals

-	1	Conversion kit – BSPT	9630091235	9630091237
-	1	Conversion kit – NPT	9630091236	9630091238

Conversion kits comprising of:-

79	2	Housing, BSPT	9630042563	9630029496
	2	Housing, NPT	9630042326	9630042327
87	2	O-Ring (FPM)	9630043058	9630043060
88	2	Lip Seal (FPM)	9630024046	9630043052
-	4	Screw, Housing	9630024635	9630024635

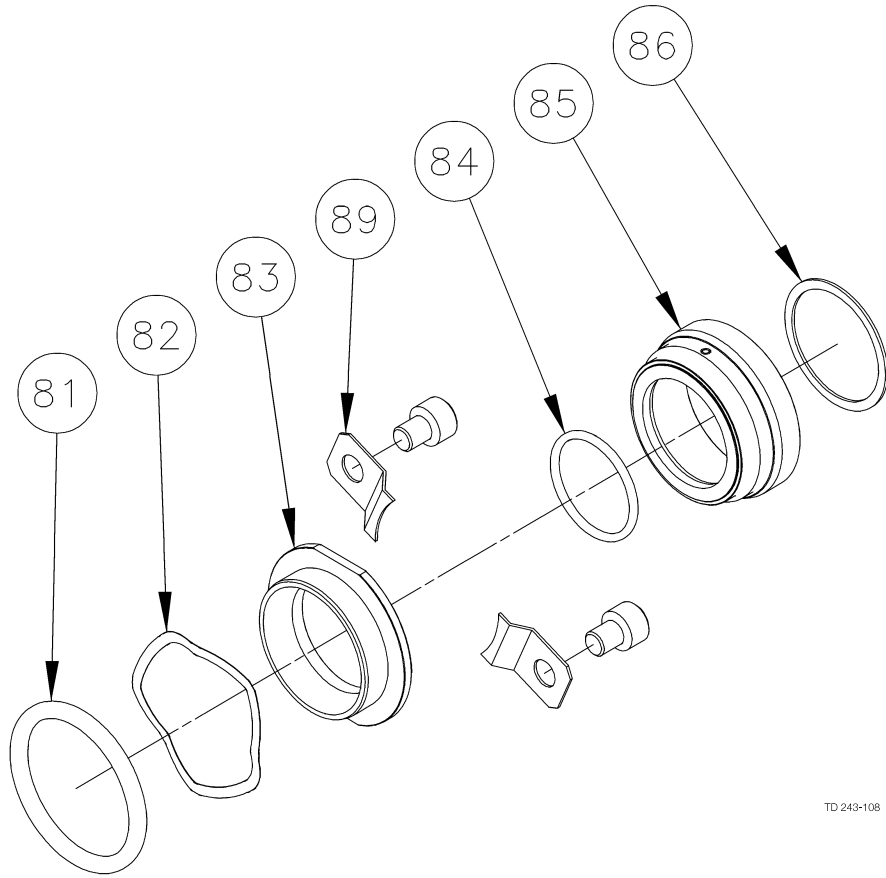
Hyclean Single Mechanical Seals (Complete) – SRU1 to SRU6 Pump Models

2 seals per pump. It is recommended to replace both sets of seals when wear dictates seal replacement

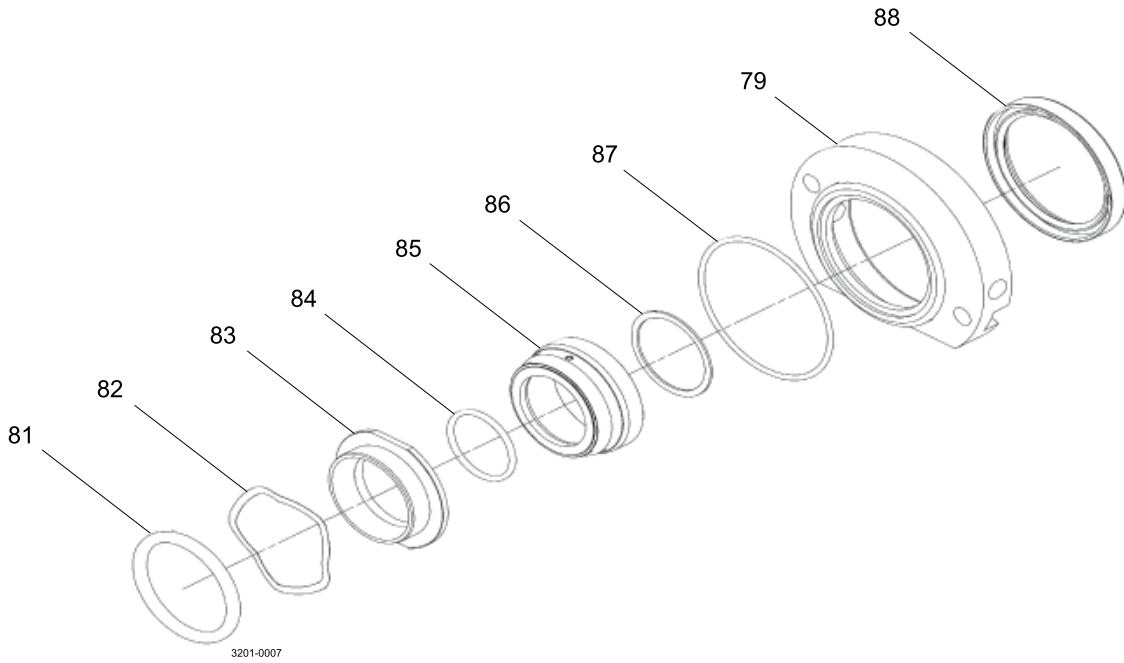
Rotary Seal / Stationary Seal Ring	O-Rings	SRU5 Item No.	SRU6 Item No.
Stainless Steel / Carbon	NBR	9630046738	9630053215
	EPDM	9630046744	9630041719
	FPM	9630046743	9630030780
Silicon Carbide / Carbon	NBR	9630046755	9630090689
	EPDM	9630046757	9630041729
	FPM	9630046756	9630057267
Silicon Carbide / Silicon Carbide	NBR	9630046769	9630060539
	EPDM	9630046771	9630041720
	FPM	9630046770	9630049360

Additional parts to convert pump fitted with above Hyclean seals to single flushed seals

Description	Drawing Item No.	Qty	SRU5 Item No.	SRU6 Item No.
Conversion kit – BSPT	–	1	9630091239	9630091241
Conversion kit – NPT	–		9630091240	9630091242
Conversion kits comprising of:-				
Housing, BSPT	79	2	9630042118	9630050398
Housing, NPT			9630042121	9630049929
O-Ring (FPM)	87	2	9630043063	9630031929
Lip Seal (FPM)	88	2	9630028335	9630032804
Screw, Housing	–	4	9630024618	–
Stud	–	4	–	–
Nut	–	4	–	–
Washer	–	4	–	9630024233



TD 243-108



3201-0007

Hyclean Single Mechanical Seals (Parts) – SRU Pump Models

Pos	Qty	Denomination	SRU1 Item No	SRU2 Item No
81	2	Rotorcase O-Ring, NBR	9630050800	9630042759
	2	Rotorcase O-Ring, EPDM	9630050799	9630042761
	2	Rotorcase O-Ring, FPM	9630050801	9630042760
82	2	Wave Spring,	9630050798	9630042767
83	2	Stationary Seal Ring, Solid Carbon	9630031237	9630029349
	2	Stationary Seal Ring, Silicon Carbide	9630023183	9630029474
	2	Stationary Seal Ring, Inserted Sil.Car.	-	9630057066
84	2	Shaft O-Ring, NBR	9630023345	9630019400
	2	Shaft O-Ring, EPDM	9630023526	9630025331
	2	Shaft O-Ring, FPM	9630023406	9630019399
85	2	Rotary Seal Ring, Stainless Steel	9630031240	9630042757
	2	Rotary Seal Ring, Silicon Carbide	9630031241	9630042758
86	2	Washer, NBR	9630050796	9630046535
	2	Washer, FPM	9630050797	9630046695
89	4	Retaining Clip	9630050761	9630042394
	4	Screw, retaining clip	9630027365	9630027365

Pos	Qty	Denomination	SRU3 Item No	SRU4 Item No
81	2	Rotorcase O-Ring, NBR	9630042771	9630042786
	2	Rotorcase O-Ring, EPDM	9630042773	9630042788
	2	Rotorcase O-Ring, FPM	9630042772	9630042787
82	2	Wave Spring	9630042780	9630042794
83	2	Stationary Seal Ring, Solid Carbon	9630037760	9630025796
	2	Stationary Seal Ring, Silicon Carbide	9630042768	9630042783
	2	Stationary Seal Ring, Inserted Sil.Car.	9630056418	9630052311
84	2	Shaft O-Ring, NBR	9630046505	9630023353
	2	Shaft O-Ring, EPDM	9630046509	9630023531
	2	Shaft O-Ring, FPM	9630046508	9630023418
85	2	Rotary Seal Ring, Stainless Steel	9630042769	9630042784
	2	Rotary Seal Ring, Silicon Carbide	9630042770	9630042785
86	2	Washer, NBR	9630046536	9630046537
	2	Washer, FPM	9630046696	9630046697
89	4	Retaining Clip	9630042396	9630042396
	4	Screw, retaining clip	9630042399	9630042399

Pos	Qty	Denomination	SRU5 Item No	SRU6 Item No
81	2	Rotorcase O-Ring, NBR	9630042799	9630048174
	2	Rotorcase O-Ring, EPDM	9630042801	9630030198
	2	Rotorcase O-Ring, FPM	9630042800	9630048175
82	2	Wave Spring	9630042807	9630048005
83	2	Stationary Seal Ring, Solid Carbon	9630039819	9630047980
	2	Stationary Seal Ring, Silicon Carbide	9630042795	-
	2	Stationary Seal Ring, Inserted Sil.Car.	9630052312	9630048002
84	2	Shaft O-Ring, NBR	9630046511	9630025417
	2	Shaft O-Ring, EPDM	9630046514	9630025437
	2	Shaft O-Ring, FPM	9630046513	
85	2	Rotary Seal Ring, Stainless Steel	9630042797	9630048004
	2	Rotary Seal Ring, Silicon Carbide	9630042798	9630048003
86	2	Washer, NBR	9630046538	9630048006
	2	Washer, FPM	9630046698	9630048007
89	4	Retaining Clip	9630042396	9630042396
	4	Screw, retaining clip	9630042399	9630042399

Note: Retaining clip and screw not required for flushed seals.

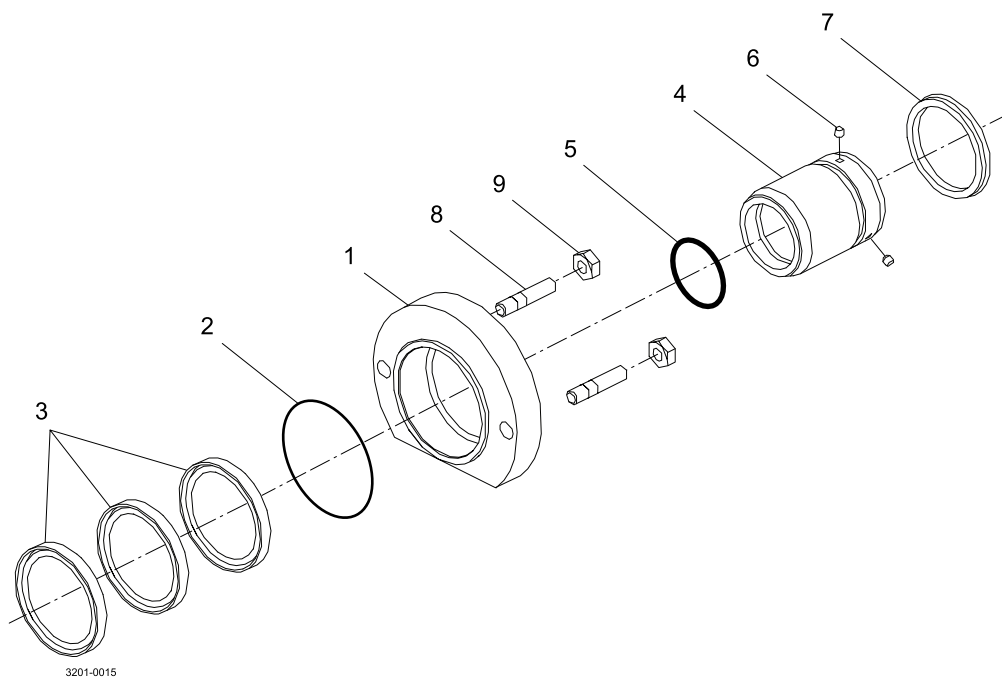
Packed Gland Seals – Pump Models SRU1 to SRU6

All SRU pumps are fitted with 10 packing rings (i.e.5 per shaft) except SRU1, which has 8 packing rings (i.e. 4 per shaft). If a lantern ring is fitted, this replaces 1 packing ring on each shaft.

Pos	Qty	Denomination	SRU1	SRU2
			Item No	Item No
1	2	Shaft Sleeve O-Ring, NBR	9630034652	9630024180
	2	Shaft Sleeve O-Ring, EPDM	9630043405	9630043406
	2	Shaft Sleeve O-Ring, FPM	9630034859	9630024181
	2	Shaft Sleeve O-Ring, PTFE	9630034860	9630031603
2	2	Shaft Sleeve, St. Stl.	9630030335	9630032656
	2	Shaft Sleeve, Hardened	9630034852	9630031521
3	2	Spacer	9630034857	9630031533
	10	Gland Packing, Polyamide	9630034863	9630025189
4	10	Gland Packing, PTFE	9630034864	9630021041
	2	Lantern Ring (if fitted)	9630034869	9630031639
6	1	Gasket	9630062179	-
	2	Housing, Unflushed	9630034843	9630031527
7	2	Housing, Flush BSPT	9630101726	9630031529
	2	Housing, Flush NPT	9630101727	9630032351
	2	Gland Follower	9630033379	9630031525
8	2	Slinger	9630034858	9630031784
	10	6	Screw	9630024658
4		Nut	9630058700	9630058699
10	4	Stud	9630034862	-

Pos	Qty	Denomination	SRU3	SRU4
			Item No	Item No
1	2	Shaft Sleeve O-Ring, NBR	9630024120	9630024129
	2	Shaft Sleeve O-Ring, EPDM	9630043403	9630043109
	2	Shaft Sleeve O-Ring, PTFE	-	9630031605
2	2	Shaft Sleeve, St. Stl.	9630033149	9630041933
	4	Gland Packing, Polyamide	9630025390	9630025439
5	2	Lantern Ring (if fitted)	9630031640	9630031641
	2	Housing, Flush BSPT	9630031465	9630031345
7	2	Housing, Flush NPT	9630032353	9630023254
	4	Split Gland Follower	-	9630051586
8a	4	Split Gland Follower Plate	-	9630051619
8c	4	Screw, Split Gland Follower	-	9630040714
	4	Nut	9630058699	9630025350
10	4	Stud	9630058750	9630042574

Pos	Qty	Denomination	SRU5	SRU6
			Item No	Item No
1	2	Shaft Sleeve O-Ring, EPDM	9630025794	-
	2	Shaft Sleeve O-Ring, FPM	-	9630024289
	2	Shaft Sleeve O-Ring, PTFE	9630024367	9630024337
2	2	Shaft Sleeve	9630031081	9630030928
	2	Spacer	9630031087	9630030926
4	10	Gland Packing, Polyamide	9630025915	9630021037
	10	Gland Packing, PTFE	9630026564	9630026406
5	2	Lantern Ring (if fitted)	9630031642	9630031643
	2	Housing, Unflushed	9630031061	9630030918
7	2	Housing, Flush BSPT	9630031063	9630030936
	2	Housing, Flush NPT	9630032355	9630032356
8a	4	Split Gland Follower	9630051180	9630052130
	4	Split Gland Follower Plate	9630052140	9630052134
8c	4	Screw, Split Gland Follower	9630040714	9630051541
9	2	Slinger	9630031800	9630031801
	10	6	Screw	9630030300
4		Stud	9630028904	9630028906

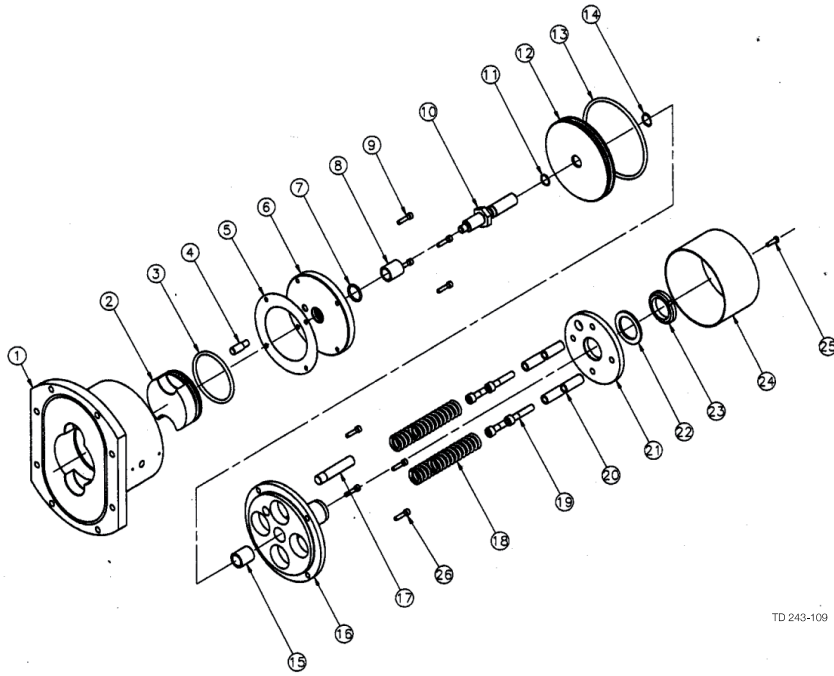


Triple Lip Seals (Parts) – SRU Pump Models

Pos	Qty	Denomination	SRU1 Item No	SRU2 Item No
1	2	Seal Housing		9630931339
2	1	Gasket	9630062179	
	2	O-ring		9630063230
3	6	Lip Seal, NBR	9630937396	9630931338
4	2	Shaft Sleeve, Hardened	9630034852	9630031521
5	2	Shaft Sleeve O-Ring, NBR	9630034652	9630024180
6	6	Shaft Sleeve Screw	9630024658	9630026007
7	2	Slinger	9630034858	9630031784
8	4	Stud	9630062341	9630058570
9	4	Nut	9630024061	9630024057
	4	Washer	9630030121	9630024231
10	2	Circlip		

Pos	Qty	Denomination	SRU3 Item No	SRU4 Item No
1	2	Seal Housing	9630937329	9630937333
2	2	O-ring	9630921685	9630921686
3	6	Lip Seal, NBR	9630937400	9630937397
4	2	Shaft Sleeve, Hardened	9630033145	9630031339
5	2	Shaft Sleeve O-Ring, NBR	9630024120	9630024129
6	6	Shaft Sleeve Screw	9630026007	9630026007
7	2	Slinger	9630031797	9630031798
8	4	Stud	9630058570	9630027485
9	4	Nut	9630024057	9630024051
	4	Washer	9630024231	9630024233
10	2	Circlip		

Pos	Qty	Denomination	SRU5 Item No	SRU6 Item No
1	2	Seal Housing	9630937334	9630937335
2	2	O-ring	9630921683	9630921687
3	6	Lip Seal, NBR	9630937398	9630937399
4	2	Shaft Sleeve, Hardened	9630031081	9630030928
5	2	Shaft Sleeve O-Ring, NBR	9630024193	9630024267
6	6	Shaft Sleeve Screw	9630030300	9630030300
7	2	Slinger	9630031800	9630031801
8	4	Stud	9630034343	9630025823
9	4	Nut	9630024051	9630024051
	4	Washer	9630024233	9630024233



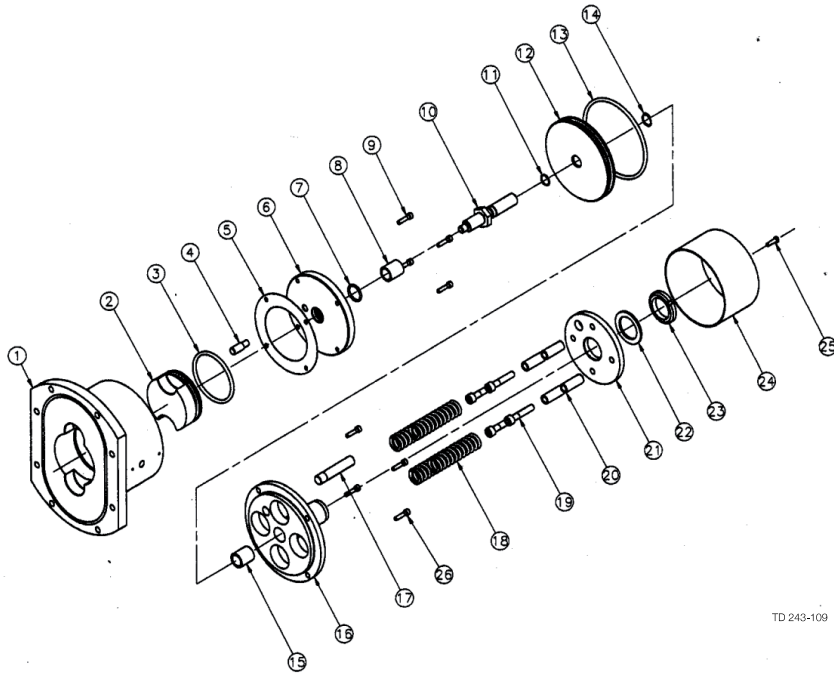
TD 243-109

Pressure Relief Valve (Complete) – SRU Pump Models

For elastomers required: N = NBR, E = EPDM, V = FPM and P = PTFE.

Pos	Qty	Denomination	SRU1 Item No.	SRU2 Item No.	SRU3 Item No.
Complete assembly includes rotorcase cover.					
		Valve type Std pressure < 12 bar (SRU1) < 10 bar (2-3)	9630032548	9630032550	9630032551
		Valve type Std pressure < 12 bar (SRU1) < 10 bar (2-3)	9630047160	9630027296	9630043291
		Valve type Std pressure < 12 bar (SRU1) < 10 bar (2-3)	9630032549	9630033115	9630033119
		Valve type Std pressure < 12 bar (SRU1) < 10 bar (2-3)	9630034307	9630034216	9630034567
		Valve type High pressure > 12 bar (SRU1) > 10 bar (2-3)	9630045539	9630024964	9630048177
		Valve type High pressure > 12 bar (SRU1) > 10 bar (2-3)	9630047618	9630024957	9630045905
		Valve type High pressure > 12 bar (SRU1) > 10 bar (2-3)	9630037687	9630045997	9630045609
		Valve type High pressure > 12 bar (SRU1) > 10 bar (2-3)	9630047617	9630024959	9630048178
		Valve type Std pressure < 12 bar (SRU1) < 10 bar (2-3) with lever lift	9630044546	9630045082	9630046971
		Valve type Std pressure < 12 bar (SRU1) < 10 bar (2-3) with lever lift	9630091243	9630046972	9630046973
		Valve type Std pressure < 12 bar (SRU1) < 10 bar (2-3) with lever lift	9630091244	9630059453	9630026838
		Valve type Std pressure < 12 bar (SRU1) < 10 bar (2-3) with lever lift	9630091245	9630091250	9630091255
		Valve type High pressure > 12 bar (SRU1) > 10 bar (2-3) with lever lift	9630091246	9630091251	9630091256
		Valve type High pressure > 12 bar (SRU1) > 10 bar (2-3) with lever lift	9630091247	9630091252	9630091257
		Valve type High pressure > 12 bar (SRU1) > 10 bar (2-3) with lever lift	9630091248	9630091253	9630091258
		Valve type High pressure > 12 bar (SRU1) > 10 bar (2-3) with lever lift	9630091249	9630091254	9630091259

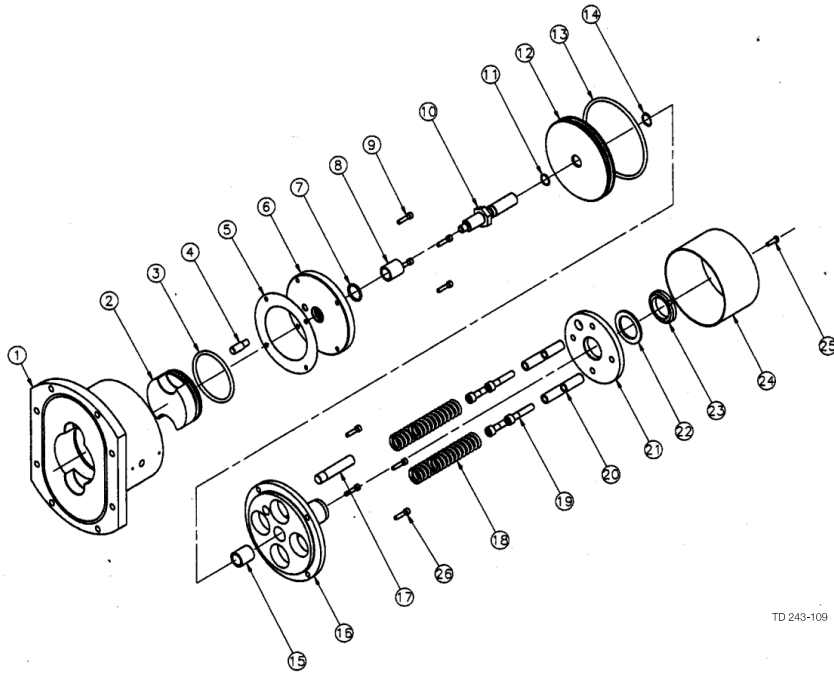
Pos	Qty	Denomination	SRU4 Item No.	SRU5 Item No.
		Valve type Std pressure < 10 bar	9630032552	9630032553
		Valve type Std pressure < 10 bar	9630039307	9630045541
		Valve type Std pressure < 10 bar	9630033120	9630033128
		Valve type Std pressure < 10 bar	9630034189	9630045590
		Valve type High pressure > 10 bar	9630033094	9630047693
		Valve type High pressure > 10 bar	9630031450	9630047692
		Valve type High pressure > 10 bar	9630037120	9630029103
		Valve type High pressure > 10 bar	9630030615	9630045543
		Valve type Std pressure < 10 bar with lever lift	9630091260	9630091265
		Valve type Std pressure < 10 bar with lever lift	9630046974	9630091266
		Valve type Std pressure < 10 bar with lever lift	9630075494	9630047273
		Valve type Std pressure < 10 bar with lever lift	9630042755	9630042284
		Valve type High pressure > 10 bar with lever lift	9630091261	9630091267
		Valve type High pressure > 10 bar with lever lift	9630091262	9630091268
		Valve type High pressure > 10 bar with lever lift	9630091263	9630091269
		Valve type High pressure > 10 bar with lever lift	9630091264	9630091270



TD 243-109

Pressure Relief Valve (Complete) – SRU Pump Models

Pos	Qty	Denomination	SRU6 STD. Item No.	SRU6 with lever lift Item No.
		Valve type < 7 bar	9630032554	9630091272
		Valve type < 7 bar	9630057151	9630055893
		Valve type < 7 bar	9630033133	9630054329
		Valve type < 7 bar	9630042269	9630042271
		Valve type < 10 bar	9630045542	9630091273
		Valve type < 10 bar	9630025005	9630091274
		Valve type < 10 bar	9630046886	9630091275
		Valve type < 10 bar	9630022269	9630091276
		Valve type < 15 bar	9630038272	9630091277
		Valve type < 15 bar	9630058067	9630091278
		Valve type < 15 bar	9630045807	9630091279
		Valve type < 15 bar	9630048700	9630091280
		Valve type < 18 bar	9630049002	9630091281
		Valve type < 18 bar	9630062101	9630091282
		Valve type < 18 bar	9630036122	9630091283
		Valve type < 18 bar	9630091271	9630091284



TD 243-109

Pressure Relief Valve (Parts) – SRU1 to SRU6 Pump Models

Pos	Qty	Denomination	SRU1-3 Item No	SRU4-5 Item No
1	1	Rotorcase cover, SRU1	9630929657	
	1	Rotorcase cover, SRU2	9630929658	
	1	Rotorcase cover, SRU3	9630929659	
	1	Rotorcase cover, SRU4		9630929660
	1	Rotorcase cover, SRU5		9630929661
2	1	Hydraulic Piston, SRU1	9630047336	
	1	Hydraulic Piston, SRU2	9630047338	
	1	Hydraulic Piston, SRU3	9630047340	
	1	Hydraulic Piston, SRU4		9630047649
	1	Hydraulic Piston, SRU5		9630047651
3	1	O-Ring, Hydraulic Piston, NBR	9630024129	9630024127
	1	O-Ring, Hydraulic Piston, EPDM	9630043109	9630043110
	1	O-Ring, Hydraulic Piston, FPM		
	1	O-Ring, Hydraulic Piston, PTFE	9630031605	9630032248
4	1	Valve Pin	9630924930	9630924931
5	1	Shim set, St. Stl.	9630101745	9630101746
6	1	Backstop disc	9630924932	9630924933
7	1	O-Ring (NBR), Backstop disc	9630027508	9630031831
8/ 15	2	Bush	9630047342	9630047647
9	4	Screw, Backstop disc	9630024601	
10	1	Valve shaft, Standard	9630027738	9630031808
	1	Valve shaft, for lever lift	9630042536	9630042279
11	1	O-Ring (NBR), Pneumatic piston	9630027500	9630031829
12	1	Pneumatic Piston	9630026981	9630031814
13	1	O-Ring (NBR), Pneumatic piston	9630027160	9630031830
14	1	Circlip	9630027978	9630031833
16	1	Valve Guide, Standard	9630025565	9630031816
	1	Valve Guide, For lever lift	9630042540	9630042273
17	1	Valve Guide Pin	9630027456	9630031824
18	4	Spring, compression, < 10 bar	9630029781	9630033372
	4	Spring, compression, > 10 bar	9630034501	9630034502
19	4	Screw, spring guide	9630027692	9630024621
20	4	Valve spring guide	9630027785	9630031818
21	1	Valve spring adjuster	9630027770	9630031820
22	1	Washer		9630035232
23	1	Nut	9630027975	9630031834
24	1	Valve housing, Standard	9630027977	9630031822
	1	Valve housing, For lever lift	9630042538	9630042277
25	1	Screw, valve housing, Standard	9630027694	9630027694
	2	Screw, valve housing, For lever lift	9630045083	9630024638
26	4	Screw, spring adjuster	9630027692	9630032120
	1	Thrust washer, Lever lift only	9630042424	9630042424
	1	Nut	9630025350	9630025350
	1	Thrust washer adaptor	9630042423	9630042423
	1	Lever sub-assembly	9630045081	9630042457

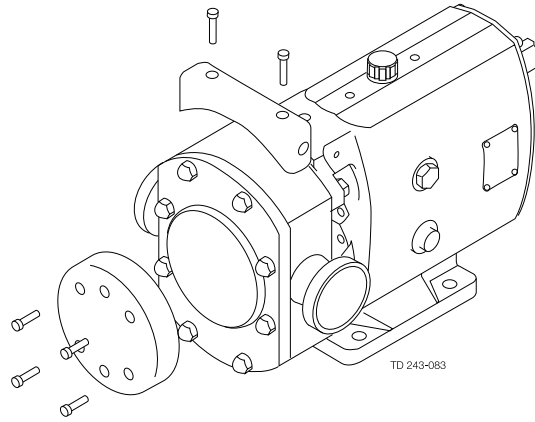
Pos	Qty	Denomination	SRU6 Item No
1	1	Rotorcase cover (including O-Ring)	9630929662
2	1	Hydraulic Piston	9630860088
3	1	O-Ring, Hydraulic Piston, NBR	9630031828
	1	O-Ring, Hydraulic Piston, EPDM	9630043111
	1	O-Ring, Hydraulic Piston, FPM	9630032246
	1	O-Ring, Hydraulic Piston, PTFE	9630032247
4	1	Valve Pin	9630924931
5	1	Shim set, St. Stl.	9630101746
6	1	Backstop disc	9630924933
7	1	O-Ring (NBR), Backstop disc	9630031831
8/ 15	2	Bush	9630047647
9	4	Screw, Backstop disc	9630024603
10	1	Valve shaft	9630031808
11	1	O-Ring (NBR), Pneumatic piston	9630031829
12	1	Pneumatic Piston	9630034718
13	1	O-Ring (NBR), Pneumatic piston	9630031830
14	1	Circlip	9630031833
16	1	Valve Guide	9630034714
17	1	Valve Guide Pin	9630031824
18	14	Spring, disc, < 7 bar	9630034726
	4		
19	19	Spring, disc, < 10 bar	9630034726
	2		
21	21	Spring, disc, < 15 bar	9630034726
	6		
24	24	Spring, disc, < 18 bar	9630034726
	0		
19	4	Nut, spring guide	9630034725
20	4	Valve spring guide	9630034716

Pressure Relief Valve (Parts) – SRU1 to SRU6 Pump Models

21	1	Valve spring adjuster	9630034712
22	12	Washer	9630034727
23	1	Nut	9630053244
24	1	Valve housing	9630031822
25	1	Screw, valve housing	9630027694
25	1	Washer, valve housing screw	9630030121
26	8	Screw, spring adjuster	9630032120

Note: For SRU6 Items 1 and 2 are only available as spare parts as part of complete assembly.

SRU6 Relief Valve Spring Arrangements				
	< 7 bar	< 10 bar	< 15 bar	< 18 bar
Springs arranged:	() () ()	(()) (()) (()) (())	((()) ((()) ((()))	((()) ((()) ((()))
1 stack =	() 2 springs 18 stacks/set	(()) 4 springs 12 stacks/set	((()) 6 springs 9 stacks/set	((()) 6 springs 10 stacks/set
Qty sets each valve:	4	4	4	4
Total qty springs:	144	192	216	240



Pos	Qty Denomination	Item No.
Rotorcase Cover Jackets – SRU Pump Models		
1	SRU1 Rotorcase cover drilled for jacket	9630027764
1	SRU1 Jacket	9630919832
4	SRU1 Screw	
1	SRU2 Rotorcase cover drilled for jacket	9630027767
1	SRU2 Jacket	9630881665
4	SRU2 Screw	
1	SRU3 Rotorcase cover drilled for jacket	9630027766
1	SRU3 Jacket	9630919833
4	SRU3 Screw	
1	SRU4 Rotorcase cover drilled for jacket	9630030268
1	SRU4 Jacket	9630919834
4	SRU4 Screw	9630032120
1	SRU5 Rotorcase cover drilled for jacket	9630027765
1	SRU5 Jacket	9630919835
4	SRU5 Screw	9630032120
1	SRU6 Rotorcase cover drilled for jacket	9630027763
1	SRU6 Jacket	9630919836
4	SRU6 Screw	9630031826

Pos	Qty Denomination	Item No.
Rotorcase Saddles – SRU Pump Models		
1	SRU1 Rotorcase drilled for saddle	
See Pages 52-58		
2	SRU1 Saddle	9630920138
4	SRU1 Screw	9630018807
1	SRU2 Rotorcase drilled for saddle	
See Pages 52-58		
2	SRU2 Saddle	9630881666
4	SRU2 Screw	9630024603
1	SRU3 Rotorcase drilled for saddle	
See Pages 52-58		
2	SRU3 Saddle	9630920139
4	SRU3 Screw	9630024598
1	SRU4 Rotorcase drilled for saddle	
See Pages 52-58		
2	SRU4 Saddle	9630920140
4	SRU4 Screw	9630031826
1	SRU5 Rotorcase drilled for saddle	
See Pages 52-58		
2	SRU5 Saddle	9630920141
4	SRU5 Screw	9630024599
1	SRU6 Rotorcase drilled for saddle	
See Pages 52-58		
2	SRU6 Saddle	9630920142
4	SRU6 Screw	9630024599

Pos	Qty	Denomination	Item No.	
11	1	O-Ring, cover – plain, SRU1	9630854451	
	1	O-Ring, cover – plain, SRU2	9630854461	
	1	O-Ring, cover – plain, SRU3	9630854477	
	1	O-Ring, cover – plain, SRU4	9630854455	
	1	O-Ring, cover – plain, SRU5	9630854469	
	1	O-Ring, cover – plain, SRU6	9630854485	
18	2	O-Ring, rotor, SRU1		
	2	O-Ring, rotor, SRU2	9630854464	
	2	O-Ring, rotor, SRU3	9630854480	
	2	O-Ring, rotor, SRU4	9630854458	
	2	O-Ring, rotor, SRU5	9630854472	
	2	O-Ring, rotor, SRU6	9630854486	
20	2	O-Ring, rotor nut, SRU1	9630854491	
	2	O-Ring, rotor nut, SRU2	9630854463	
	2	O-Ring, rotor nut, SRU3	9630854479	
	2	O-Ring, rotor nut, SRU4	9630854457	
	2	O-Ring, rotor nut, SRU5	9630854471	
	2	O-Ring, rotor nut, SRU6	9630854486	
	1	Cover/Spline Sealing Kit , SRU1	9630856959	
	1	Cover/Spline Sealing Kit , SRU2	9630855540	
	1	Cover/Spline Sealing Kit , SRU3	9630856960	
	1	Cover/Spline Sealing Kit , SRU4	9630855577	
	1	Cover/Spline Sealing Kit , SRU5	9630856961	
	1	Cover/Spline Sealing Kit , SRU6	9630855541	
	(comprises cover, rotor and rotor nut sealing O-Rings for one pump)			
	81	1	Hyclean Rotorcase O-Ring, SRU1	9630854453
1		Hyclean Rotorcase O-Ring, SRU2	9630854467	
1		Hyclean Rotorcase O-Ring, SRU3	9630854483	
1		Hyclean Rotorcase O-Ring, SRU4	9630854459	
1		Hyclean Rotorcase O-Ring, SRU5	9630854475	
1		Hyclean Rotorcase O-Ring, SRU6	9630854489	
84	2	Hyclean Shaft O-Ring, SRU1	9630854454	
	2	Hyclean Shaft O-Ring, SRU2	9630854468	
	2	Hyclean Shaft O-Ring, SRU3	9630854484	
	2	Hyclean Shaft O-Ring, SRU4	9630854460	
	2	Hyclean Shaft O-Ring, SRU5	9630854476	
	2	Hyclean Shaft O-Ring, SRU6	9630854473	
	2	Hyclean Single Mech Seal SC/SC/EPDM USP Class VI, SRU1	9630855444	
	2	Hyclean Single Mech Seal SC/SC/EPDM USP Class VI, SRU2	9630855445	
	2	Hyclean Single Mech Seal SC/SC/EPDM USP Class VI, SRU3	9630855447	
	2	Hyclean Single Mech Seal SC/SC/EPDM USP Class VI, SRU4	9630855452	
	2	Hyclean Single Mech Seal SC/SC/EPDM USP Class VI, SRU5	9630855453	
	2	Hyclean Single Mech Seal SC/SC/EPDM USP Class VI, SRU6	9630855454	
	1	Service Kit (USA only) Hyc SC/SC/EPDM USP Class VI, SRU1	9630856966	
	1	Service Kit (USA only) Hyc SC/SC/EPDM USP Class VI, SRU2	9630856967	
	1	Service Kit (USA only) Hyc SC/SC/EPDM USP Class VI, SRU3	9630856968	
	1	Service Kit (USA only) Hyc SC/SC/EPDM USP Class VI, SRU4	9630856969	
	1	Service Kit (USA only) Hyc SC/SC/EPDM USP Class VI, SRU5	9630856970	
	1	Service Kit (USA only) Hyc SC/SC/EPDM USP Class VI, SRU6	9630856971	
	(comprises cover/spline sealing O-Rings and mechanical seals for 1 pump)			

Electropolishing (Rotorcase Covers and Rotors)

Pos	Qty	Denomination	Item No.
12	1	Cover, rotorcase – EP 3.1 traceability, SRU1	9630934873
	1	Cover, rotorcase – EP 3.1 traceability, SRU2	9630923907
	1	Cover, rotorcase – EP 3.1 traceability, SRU3	9630855703
	1	Cover, rotorcase – EP 3.1 traceability, SRU4	9630860054
	1	Cover, rotorcase – EP 3.1 traceability, SRU5	9630112722
	1	Cover, rotorcase – EP 3.1 traceability, SRU6	9630112719
17	2	Rotor, Trilobe Stainless Steel – EP 3.1 traceability, 8 bar 70°C, SRU1/005	9630941043
	2	Rotor, Trilobe Stainless Steel – EP 3.1 traceability, 8 bar 130°C, SRU1/005	9630862520
	2	Rotor, Trilobe Stainless Steel – EP 3.1 traceability, 8 bar 200°C, SRU1/005	9630942731
	2	Rotor, Trilobe Stainless Steel – EP 3.1 traceability, 5 bar 70°C, SRU1/008	9630653972
	2	Rotor, Trilobe Stainless Steel – EP 3.1 traceability, 5 bar 130°C, SRU1/008	9630934869
	2	Rotor, Trilobe Stainless Steel – EP 3.1 traceability, 10 bar 70°C, SRU2/013/LS-HS	9630931001
	2	Rotor, Trilobe Stainless Steel – EP 3.1 traceability, 10 bar 130°C, SRU2/013/LS-HS	9630929066
	2	Rotor, Trilobe Stainless Steel – EP 3.1 traceability, 10 bar 200°C, SRU2/013/LS-HS	9630924022
	2	Rotor, Trilobe Stainless Steel – EP 3.1 traceability, 7 bar 70°C, SRU2/018/LS-HS	9630941885
	2	Rotor, Trilobe Stainless Steel – EP 3.1 traceability, 7 bar 130°C, SRU2/018/LS-HS	9630923905
	2	Rotor, Trilobe Stainless Steel – EP 3.1 traceability, 7 bar 200°C, SRU2/018/LS-HS	9630126869
	2	Rotor, Trilobe Stainless Steel – EP 3.1 traceability, 10 bar 70°C, SRU2/018/LD-HD	9630997911
	2	Rotor, Trilobe Stainless Steel – EP 3.1 traceability, 10 bar 70°C, SRU3/027/LS-HS	9630863709
	2	Rotor, Trilobe Stainless Steel – EP 3.1 traceability, 10 bar 130°C, SRU3/027/LS-HS	9630863997
	2	Rotor, Trilobe Stainless Steel – EP 3.1 traceability, 7 bar 70°C, SRU3/038/LS-HS	9630855705
	2	Rotor, Trilobe Stainless Steel – EP 3.1 traceability, 7 bar 130°C, SRU3/038/LS and HS	9630921127
	2	Rotor, Trilobe Stainless Steel – EP 3.1 traceability, 7 bar 200°C, SRU3/038/LS-HS	9630126872
	2	Rotor, Trilobe Stainless Steel – EP 3.1 traceability, 10 bar 70°C, SRU4/055/LS-HS	9630879607
	2	Rotor, Trilobe Stainless Steel – EP 3.1 traceability, 10 bar 130°C, SRU4/055/LS-HS	9630861100
	2	Rotor, Trilobe Stainless Steel – EP 3.1 traceability, 10 bar 200°C, SRU4/055/LS-HS	9630861602
	2	Rotor, Trilobe Stainless Steel – EP 3.1 traceability, 7 bar 70°C, SRU4/079/LS-HS	9630860052
	2	Rotor, Trilobe Stainless Steel – EP 3.1 traceability, 7 bar 130°C, SRU4/079/LS-HS	9630934471

Electropolishing (Rotors cont'd and Rotor Nuts)

Pos	Qty	Denomination	Item No.	
17	2	Rotor, Trilobe Stainless Steel-EP, 10 bar 70°C, SRU5/116/LS-HS	9630863707	
	2	Rotor, Trilobe Stainless Steel-EP, 10 bar 130°C, SRU5/116/LS-HS	9630112721	
	2	Rotor, Trilobe Stainless Steel-EP, 10 bar 200°C, SRU5/116/LS-HS	9630920755	
	2	Rotor, Trilobe Stainless Steel-EP, 7 bar 70°C, SRU5/168/LS-HS	9630862835	
	2	Rotor, Trilobe Stainless Steel-EP, 10 bar 70°C, SRU6/260/LS-HS	9630941031	
	2	Rotor, Trilobe Stainless Steel-EP, 10 bar 130°C, SRU6/260/LS-HS	9630941056	
	2	Rotor, Trilobe Stainless Steel-EP, 7 bar 70°C, SRU6/353/LS-HS	9630860056	
	2	Rotor, Trilobe Stainless Steel-EP, 7 bar 130°C, SRU6/353/LS-HS	9630112720	
	22	2	Nut, rotor retention (RH) - EP, SRU1/005	9630941293
		2	Nut, rotor retention (RH) - EP, SRU1/008	9630941291
2		Nut, rotor retention (RH) - EP, SRU2/013	9630924026	
2		Nut, rotor retention (RH) - EP, SRU2/018	9630923906	
2		Nut, rotor retention (RH) - EP, SRU3/027	9630863711	
2		Nut, rotor retention (RH) - EP, SRU3/038	9630855716	
2		Nut, rotor retention (RH) - EP, SRU4/055	9630861600	
2		Nut, rotor retention (RH) - EP, SRU4/079	9630860055	
2		Nut, rotor retention (RH) - EP, SRU5/116	9630124235	
2		Nut, rotor retention (RH) - EP, SRU5/168	9630941290	
2		Nut, rotor retention (RH) - EP, SRU6/260	9630881421	
2		Nut, rotor retention (RH) - EP, SRU6/353	9630113539	
2		Nut, rotor retention (LH) - EP, SRU3/027	9630881464	
2		Nut, rotor retention (LH) - EP, SRU3/038	9630857839	
2		Nut, rotor retention (LH) - EP, SRU4/055	9630881479	
2		Nut, rotor retention (LH) - EP, SRU5/116	9630124236	
2		Nut, rotor retention (LH) - EP, SRU6/260	9630881420	
2		Nut, rotor retention (LH) - EP, SRU6/353	9630113540	

Pos	Qty	Denomination	Item No.
Rotorcase for Hyclean seal and Tri- clamp (BS4825) connections			
9	1	SRU1/008, 1 - 25 mm	9630931774
	1	SRU1/008, 1½ - 40 mm	9630652484
	1	SRU2/013, 1½ - 40 mm	9630924025
	1	SRU2/018, 1½ - 40 mm	9630923904
	1	SRU2/018, 2" - 50 mm	9630923903
	1	SRU3/027, 1½" - 40 mm	9630863800
	1	SRU3/027, 2" - 50 mm	9630863710
	1	SRU3/038, 2" - 50 mm	9630857838
	1	SRU3/038, 2½" - 65 mm	9630855593
	1	SRU4/055, 2" - 50 mm	9630861599
	1	SRU4/055, 2½" - 65 mm	9630879608
	1	SRU4/079, 2½" - 65 mm	9630860053
	1	SRU4/079, 3" - 80 mm	9630929906
	1	SRU5/116, 2½" - 65 mm	9630112725
	1	SRU5/116, 3" - 80 mm	9630125080
	1	SRU5/168, 3" - 80 mm	9630652168
	1	SRU5/168, 4" - 100 mm	9630941611
	1	SRU6/260, 4" - 100 mm	9630938886
	1	SRU6/353, 4" - 100 mm	9630113541
	1	SRU6/353, 6" - 150 mm	9630112718

Pos	Qty	Denomination	Item No.
46	1	Sight glass, SRU1-4	9630855435
47	1	Filler plug, SRU1-4	9630105171
	1/	Washer, bonded – for filler plug, NBR	9630039007
	2		
50	2	Gland guard (Single Seal only), SRU1	9630112468
	2	Gland guard (Single Seal only), SRU2	9630123783
	2	Gland guard (Single Seal only), SRU3	9630124138
	2	Gland guard (Single Seal only), SRU4	9630855285
	1	Gland guard (Single Seal only), SRU5, Lower vert port	9630855513
	1	Gland guard (Single Seal only), SRU5, Upper vert port	9630855514
	2	Gland guard (Single Seal only), SRU5, Horiz port	9630112074
	1	Gland guard (Single Seal only), SRU6, Lower vert port	9630855500
	1	Gland guard (Single Seal only), SRU6, Upper vert port	9630855501
	2	Gland guard (Single Seal only), SRU6, Horiz port	
	2	Gland guard (Single Flushed Seal only), SRU2	9630935699
	2	Gland guard (Single Flushed Seal only), SRU3	9630935700
	2	Gland guard (Single Flushed Seal only), SRU4	9630935601
	1	Gland guard (Single Flushed Seal only), SRU5 Lower vert port	9630935692
	1	Gland guard (Single Flushed Seal only), SRU5 Upper vert port	9630935696
	2	Gland guard (Single Flushed Seal only), SRU5 Horiz port ..	9630935101
	1	Gland guard (Single Flushed Seal only), SRU6 Lower vert port	9630935697
	1	Gland guard (Single Flushed Seal only), SRU6 Upper vert port	9630935698
	2	Gland guard (Single Flushed Seal only), SRU6 Horiz port ..	9630935691
72	1	Stationary seal ring with thermocouple (R90 Single mechanical seal), SRU1	9630113595
b	1	Stationary seal ring with thermocouple (R90 Single mechanical seal), SRU2	9630113596
	1	Stationary seal ring with thermocouple (R90 Single mechanical seal), SRU3	9630113598
	1	Stationary seal ring with thermocouple (R90 Single mechanical seal), SRU4	9630113599
	1	Stationary seal ring with thermocouple (R90 Single mechanical seal), SRU5	9630113600
	1	Stationary seal ring with thermocouple (R90 Single mechanical seal), SRU6	9630113601
Note: Only silicon carbide available and normally 1 off is req'd as other seal ring will be as standard silicon carbide			
72	1	Stationary seal ring with thermocouple (R90 Double mechanical seal) carbide, SRU1	9630123885
c	1	Stationary seal ring with thermocouple (R90 Double mechanical seal) carbide, SRU2	9630123886
	1	Stationary seal ring with thermocouple (R90 Double mechanical seal) carbide, SRU3	9630123887
	1	Stationary seal ring with thermocouple (R90 Double mechanical seal) carbide, SRU4	9630123888
	1	Stationary seal ring with thermocouple (R90 Double mechanical seal) carbide, SRU5	9630123889
	1	Stationary seal ring with thermocouple (R90 Double mechanical seal) carbide, SRU6	9630123890
Note: Only silicon carbide available and normally 1 off is req'd as other seal ring will be as standard silicon			
79	2	Seal housing, single flushed mechanical seal, SRU2	9630937112
	2	Seal housing, single flushed mechanical seal, SRU3	9630937113
	2	Seal housing, single flushed mechanical seal, SRU4	9630937114
	2	Seal housing, single flushed mechanical seal, SRU5	9630937115
	2	Seal housing, single flushed mechanical seal, SRU6	9630937116
Note: Normally 1 off is req'd as other seal housing will be as standard			
10	1	Thermocouple clamp plate, SRU1	9630878900
1	1	Thermocouple clamp plate, SRU2	9630864441
	1	Thermocouple clamp plate, SRU3	9630858958
	1	Thermocouple clamp plate, SRU4	9630858959
	1	Thermocouple clamp plate, SRU5	9630610911
	1	Thermocouple clamp plate, SRU6	
10	2	Screw, thermocouple clamp plate, SRU1	9630024595
2	2	Screw, thermocouple clamp plate, SRU2-3	9630028936
	2	Screw, thermocouple clamp plate, SRU4-6	9630074138
10	1	Plastic bush (now supplied with 72b and 72c), SRU1-6 ...	9630855571
3			
10	1	Screw, bush locking, SRU1-6	9630855570
4			
	1	Stud, earthing, SRU1	9630105360
	1	Stud, earthing, SRU2-4	9630105362
	1	Stud, earthing, SRU5-6	9630105360
	2	Nut, earthing stud,	
	2	Washer, lock	9630105264
	1	Earth bonding cable	9630105267
	2	Terminal copper tube	9630105435

1 Earth bonding tag 9630105614

Pos	Qty	Denomination	Item No.
SRU1 to SRU6			
	4	Plug, Seal Housing, 1/8" BSPT	
	4	Plug, Seal Housing, 1/8" NPT	9630024422
	4	Plug, Seal Housing, 1/4" BSPT	
	4	Plug, Seal Housing, 1/4" NPT	9630024419

The following housings have 1/8" connections

R90 Flush and Double sizes SRU1-3

Hyclean Flush sizes SRU1-4

Packed Gland sizes SRU1-4

The following housings have 1/4" connections

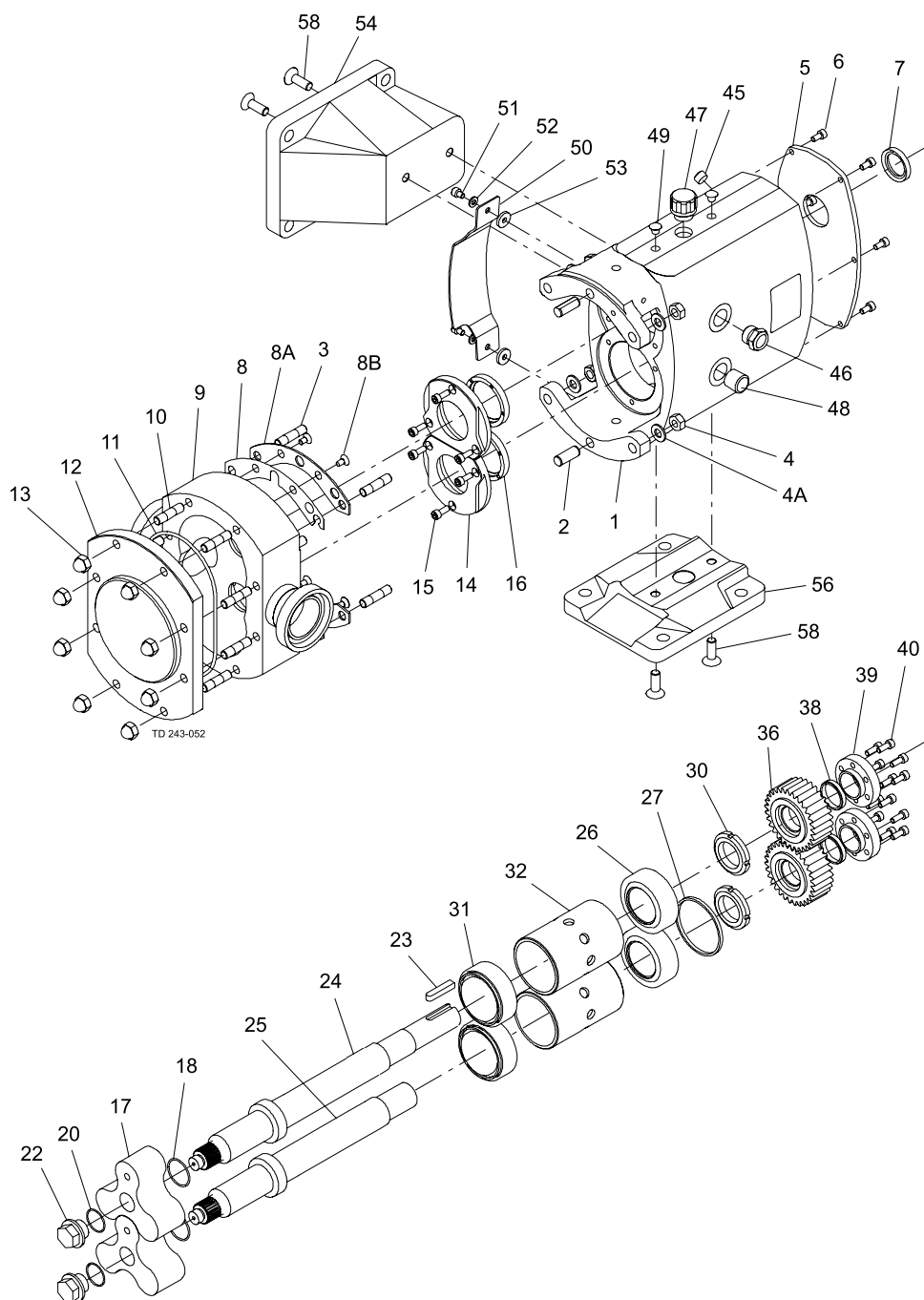
R90 Flush and Double sizes SRU4-6

Hyclean Flush sizes SRU5-6

Packed Gland sizes SRU5-6

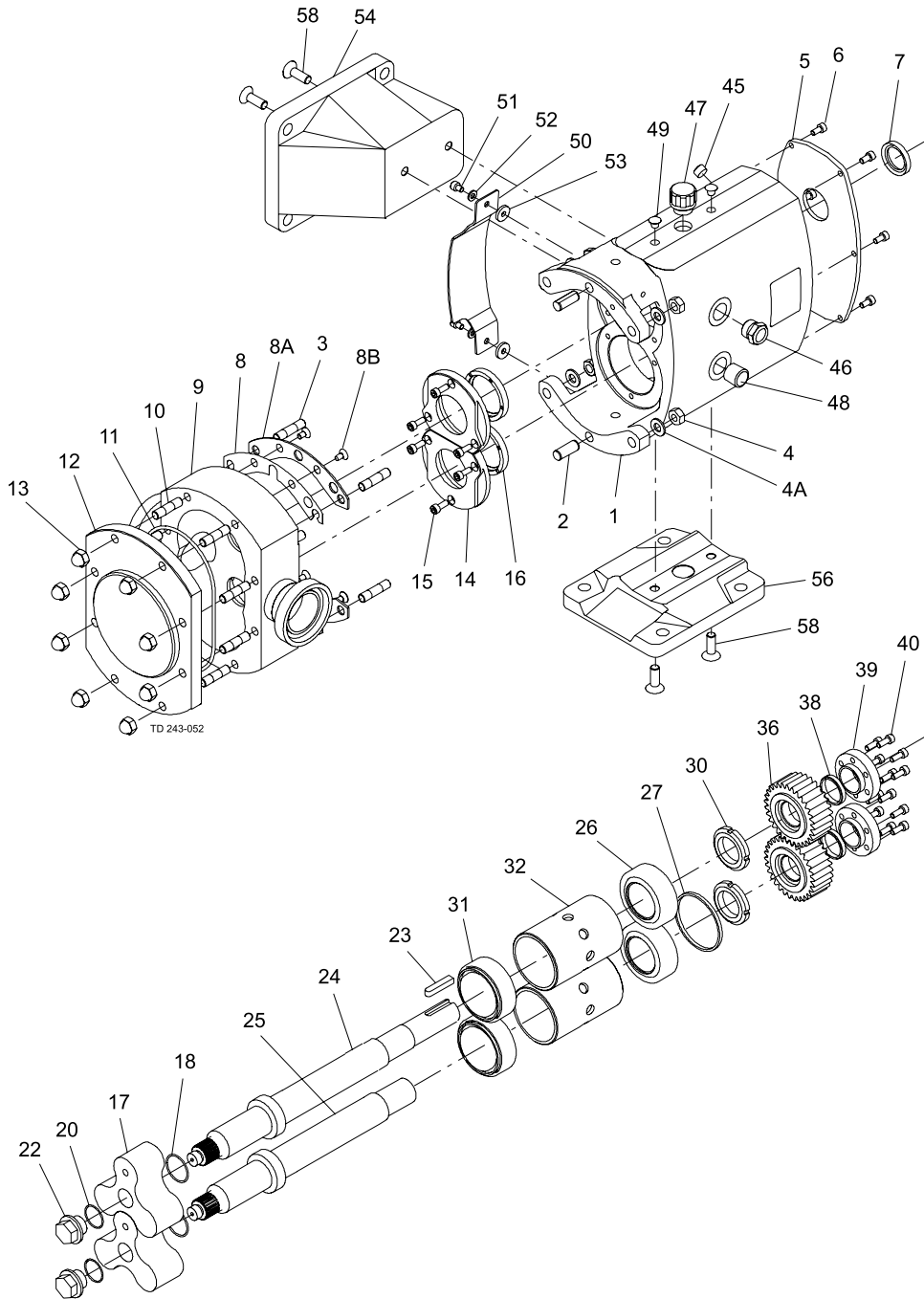
Grease filled gearboxes in gearcases drilled for oil.

If Gearcase is drilled for Oil and supplied for Grease then the same fixings are required as for Oil, EXCEPT that Unvented Filler Plug 31495.0052.1 is used instead of 31491.0052.1.



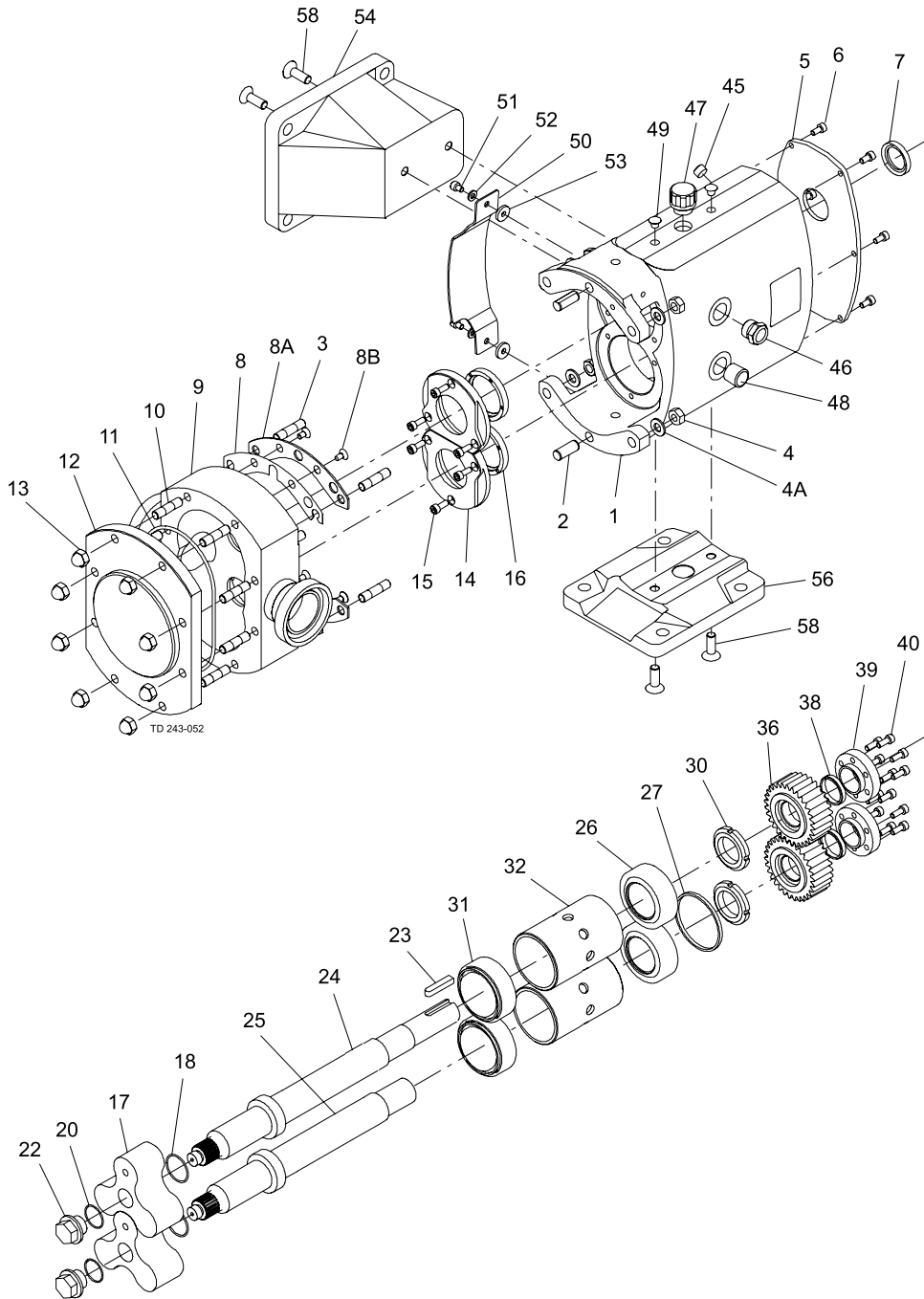
Service kits for SRU pumps

	NBR	EPDM	FPM	FFPM	EPDM USP Class VI
Service kits for Single R90 Mechanical Seal					
Stainless Steel v Carbon Solid (SRU1) ...	9630933155	9630932618	9630113949	9630851502	9630851503
Stainless Steel v Carbon Solid (SRU2) ...	9630681005	9630928949	9630113950	9630851646	9630936453
Stainless Steel v Carbon Solid (SRU3) ...	9630950788	9630932619	9630113951	9630851788	9630856428
Stainless Steel v Carbon Solid (SRU4) ...	9630997421	9630932620	9630113952	9630851929	9630851930
Stainless Steel v Carbon Solid (SRU5) ...	9630681006	9630932621	9630113953	9630852071	9630852072
Stainless Steel v Carbon Solid (SRU6) ...	9630681007	9630932622	9630113954	9630852213	9630852214
Service kits for Single R90 Mechanical Seal					
Stainless Steel v Carbon Inserted (SRU1)	9630856380	9630856381	9630856382	9630851504	9603851505
Stainless Steel v Carbon Inserted (SRU2)	9630856404	9630856405	9630856406	9630942050	9630851648
Stainless Steel v Carbon Inserted (SRU3)	9630856428	9630856429	9630856430	9630851789	9630851790
Stainless Steel v Carbon Inserted (SRU4)	9630856452	9630856453	9630856454	9630851931	9630851932
Stainless Steel v Carbon Inserted (SRU5)	9630856476	9630856477	9630856478	9630852073	9630852074
Stainless Steel v Carbon Inserted (SRU6)	9630856500	9630856501	9630856502	9630852215	9630852216
Service kits for Single R90 Mechanical Seal					
Silicon Carbide v Carbon Inserted (SRU1)	9630856386	9630856387	9630856388	9630851506	9630851507
Silicon Carbide v Carbon Inserted (SRU2)	9630856410	9630856411	9630856412	960851649	9630851650
Silicon Carbide v Carbon Inserted (SRU3)	9630856434	9630856435	9630856436	9630851791	9630851792
Silicon Carbide v Carbon Inserted (SRU4)	9630856458	9630856459	9630856460	9630851933	9630851934
Silicon Carbide v Carbon Inserted (SRU5)	9630856482	9630856483	9630856484	9630852075	9630852076
Silicon Carbide v Carbon Inserted (SRU6)	9630856506	9630856507	9630856508	9630852217	9630852218
Service kits for Single R90 Mechanical Seal					
Silicon Carbide v Silicon Carbide (SRU1)	9630856392	9630856393	9630856394	9630851508	9630942676
Silicon Carbide v Silicon Carbide (SRU2)	9630856416	9630856417	9630856418	9630851651	9630851652
Silicon Carbide v Silicon Carbide (SRU3)	9630856440	9630856441	9630856442	9630677256	9630851793
Silicon Carbide v Silicon Carbide (SRU4)	9630856464	9630856465	9630856466	9630672169	9630951235
Silicon Carbide v Silicon Carbide (SRU5)	9630856488	9630856489	9630856490	9630852077	9630852078
Silicon Carbide v Silicon Carbide (SRU6)	9630856512	9630856513	9630856514	9630852219	9630852220



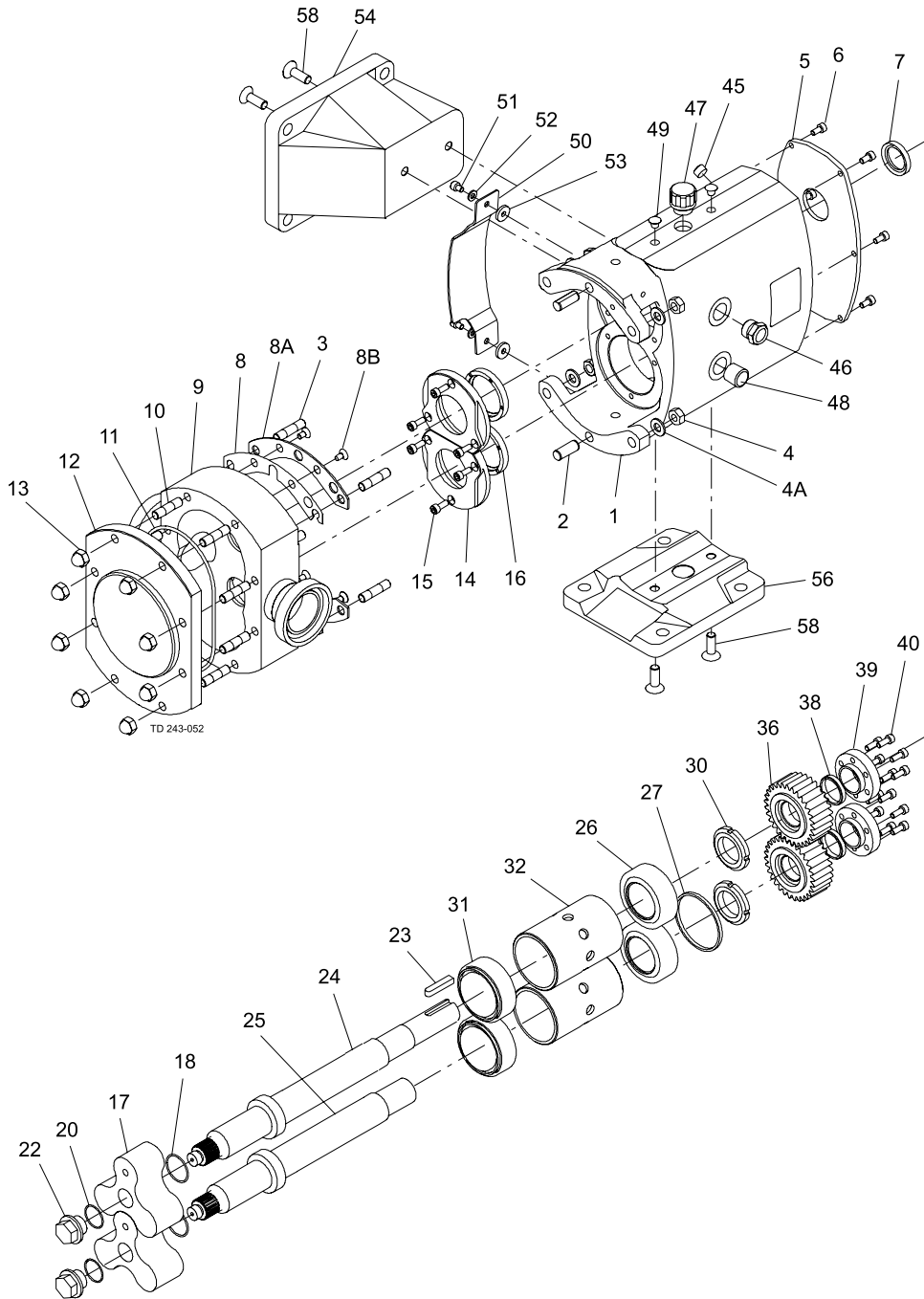
Service kits for SRU pumps

	NBR	EPDM	FPM	FFPM	EPDM USP Class VI
Service kits for Single R90 Mechanical Seal Flushed BSPT					
Stainless Steel v Carbon Solid (SRU1) ...	9630933155	9630932618	9630113949	9630851502	9630851503
Stainless Steel v Carbon Solid (SRU2) ...	9630681005	9630928949	9630113950	9630851646	9630936453
Stainless Steel v Carbon Solid (SRU3) ...	9630950788	9630932619	9630113951	9630942051	9630851788
Stainless Steel v Carbon Solid (SRU4) ...	9630997421	9630932620	9630113952	9630851929	9630851930
Stainless Steel v Carbon Solid (SRU5) ...	9630681006	9630932621	9630113953	9630852071	9630852072
Stainless Steel v Carbon Solid (SRU6) ...	9630681007	9630932622	9630113954	9630852213	9630852214
Service kits for Single R90 Mechanical Seal Flushed BSPT					
Stainless Steel v Carbon Inserted (SRU1)	9630856380	9630856381	9630856382	9630851504	9630851505
Stainless Steel v Carbon Inserted (SRU2)	9630856404	9630856405	9630856406	9630942050	9630851648
Stainless Steel v Carbon Inserted (SRU3)	9630856428	9630856429	9630856430	9630851789	9630851790
Stainless Steel v Carbon Inserted (SRU4)	9630856452	9630856453	9630856454	9630851931	9630851932
Stainless Steel v Carbon Inserted (SRU5)	9630856476	9630856477	9630856478	9630852073	9630852074
Stainless Steel v Carbon Inserted (SRU6)	9630856500	9630856501	9630856502	9630852215	9630852216
Service kits for Single R90 Mechanical Seal Flushed BSPT					
Silicon Carbide v Carbon Inserted (SRU1)	9630856386	9630856387	9630856388	9630851506	9630851507
Silicon Carbide v Carbon Inserted (SRU2)	9630856410	9630856411	9630856412	9630851649	9630851650
Silicon Carbide v Carbon Inserted (SRU3)	9630856434	9630856435	9630856436	9630851791	9630851792
Silicon Carbide v Carbon Inserted (SRU4)	9630856458	9630856459	9630856460	9630851933	9630851934
Silicon Carbide v Carbon Inserted (SRU5)	9630856482	9630856483	9630856484	9630852075	9630852076
Silicon Carbide v Carbon Inserted (SRU6)	9630856506	9630856507	9630856508	9630852217	9630852218
Service kits for Single R90 Mechanical Seal Flushed BSPT					
Silicon Carbide v Silicon Carbide (SRU1)	9630856392	9630856393	9630856394	9630851508	9630942676
Silicon Carbide v Silicon Carbide (SRU2)	9630856416	9630856417	9630856418	9630851651	9630851652
Silicon Carbide v Silicon Carbide (SRU3)	9630856440	9630856441	9630856442	9630677256	9630851793
Silicon Carbide v Silicon Carbide (SRU4)	9630856464	9630856465	9630856466	9630672169	9630951235
Silicon Carbide v Silicon Carbide (SRU5)	9630856488	9630856489	9630856490	9630852077	9630852078
Silicon Carbide v Silicon Carbide (SRU6)	9630856512	9630856513	9630856514	9630852219	9630852220



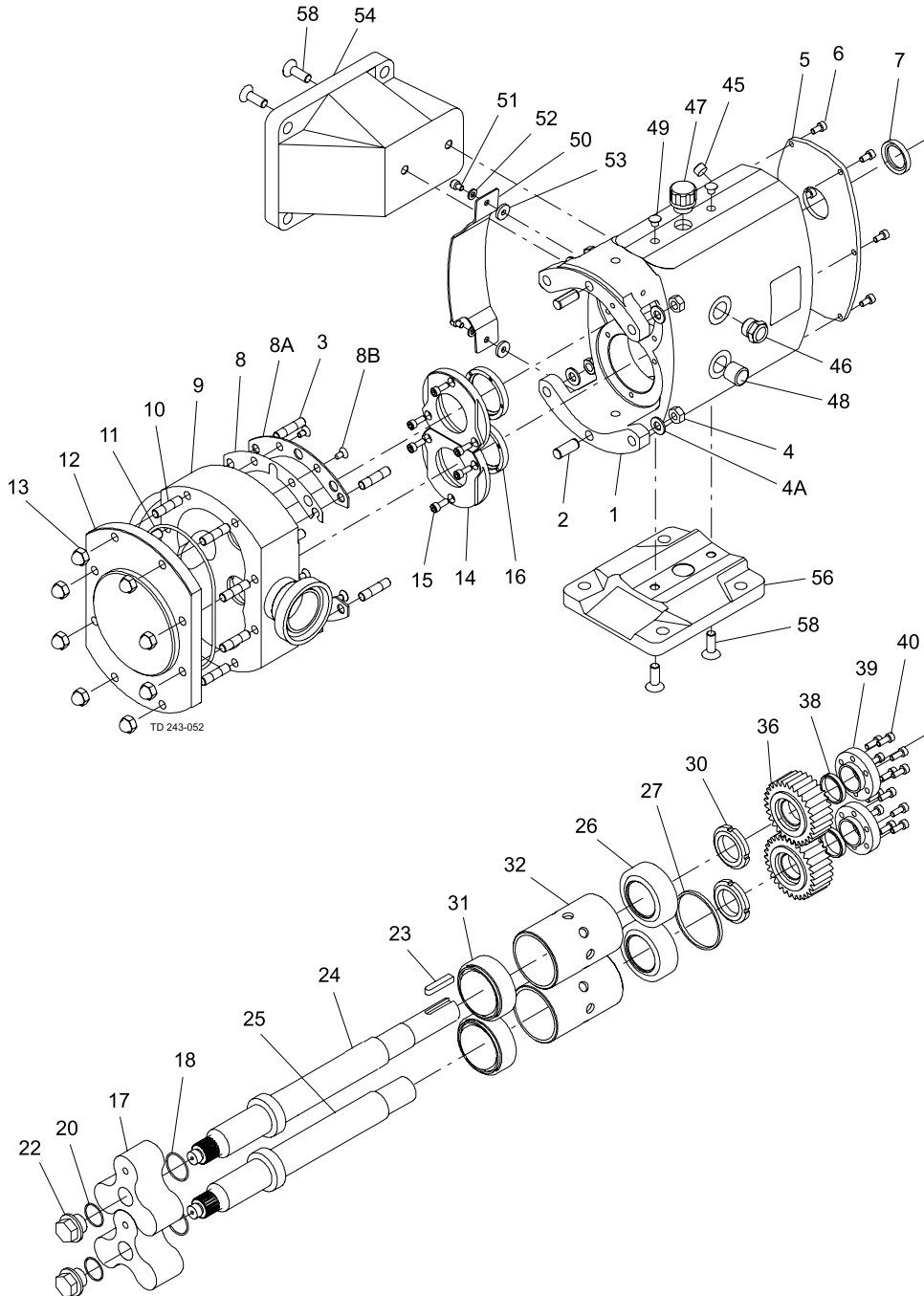
Service kits for SRU pumps

	NBR	EPDM	FPM	FFPM	EPDM USP Class VI
Service kits for Single R90 Mechanical Seal Flushed NPT					
Stainless Steel v Carbon Solid (SRU1) ...	9630933155	9630932618	9630113949	9630851502	9630851503
Stainless Steel v Carbon Solid (SRU2) ...	9630681005	9630928949	9630113950	9630851646	9630936453
Stainless Steel v Carbon Solid (SRU3) ...	9630950788	9630932619	9630113951	9630942051	9630851788
Stainless Steel v Carbon Solid (SRU4) ...	9630997421	9630932620	9630113952	9630851929	9630851930
Stainless Steel v Carbon Solid (SRU5) ...	9630681006	9630932621	9630113953	9630852071	9630852072
Stainless Steel v Carbon Solid (SRU6) ...	9630681007	9630932622	9630113954	9630852213	9630852214
Service kits for Single R90 Mechanical Seal Flushed NPT					
Stainless Steel v Carbon Inserted (SRU1)	9630856380	9630856381	9630856382	9630851504	9630851505
Stainless Steel v Carbon Inserted (SRU2)	9630856404	9630856405	9630856406	9630942050	9630851648
Stainless Steel v Carbon Inserted (SRU3)	9630856428	9630856429	9630856430	9630851789	9630851790
Stainless Steel v Carbon Inserted (SRU4)	9630856452	9630856453	9630856454	9630851931	9630851932
Stainless Steel v Carbon Inserted (SRU5)	9630856476	9630856477	9630856478	9630852073	9630852074
Stainless Steel v Carbon Inserted (SRU6)	9630856500	9630856501	9630856502	9630852215	9630852216
Service kits for Single R90 Mechanical Seal Flushed NPT					
Silicon Carbide v Carbon Inserted (SRU1)	9630856386	9630856387	9630856388	9630851506	9630851507
Silicon Carbide v Carbon Inserted (SRU2)	9630856410	9630856411	9630856412	9630851649	9630851650
Silicon Carbide v Carbon Inserted (SRU3)	9630856434	9630856435	9630856436	9630851791	9630851792
Silicon Carbide v Carbon Inserted (SRU4)	9630856458	9630856459	9630856460	9630851933	9630851934
Silicon Carbide v Carbon Inserted (SRU5)	9630856482	9630856483	9630856484	9630852075	9630852076
Silicon Carbide v Carbon Inserted (SRU6)	9630856506	9630856507	9630856508	9630852217	9630852218
Service kits for Single R90 Mechanical Seal Flushed NPT					
Silicon Carbide v Silicon Carbide (SRU1)	9630856392	9630856393	9630856394	9630851508	9630942676
Silicon Carbide v Silicon Carbide (SRU2)	9630856416	9630856417	9630856418	9630851651	9630851652
Silicon Carbide v Silicon Carbide (SRU3)	9630856440	9630856441	9630856442	9630677256	9630851793
Silicon Carbide v Silicon Carbide (SRU4)	9630856464	9630856465	9630856466	9630672169	9630951235
Silicon Carbide v Silicon Carbide (SRU5)	9630856488	9630856489	9630856490	9630852077	9630852078
Silicon Carbide v Silicon Carbide (SRU6)	9630856512	9630856513	9630856514	9630852219	9630852220



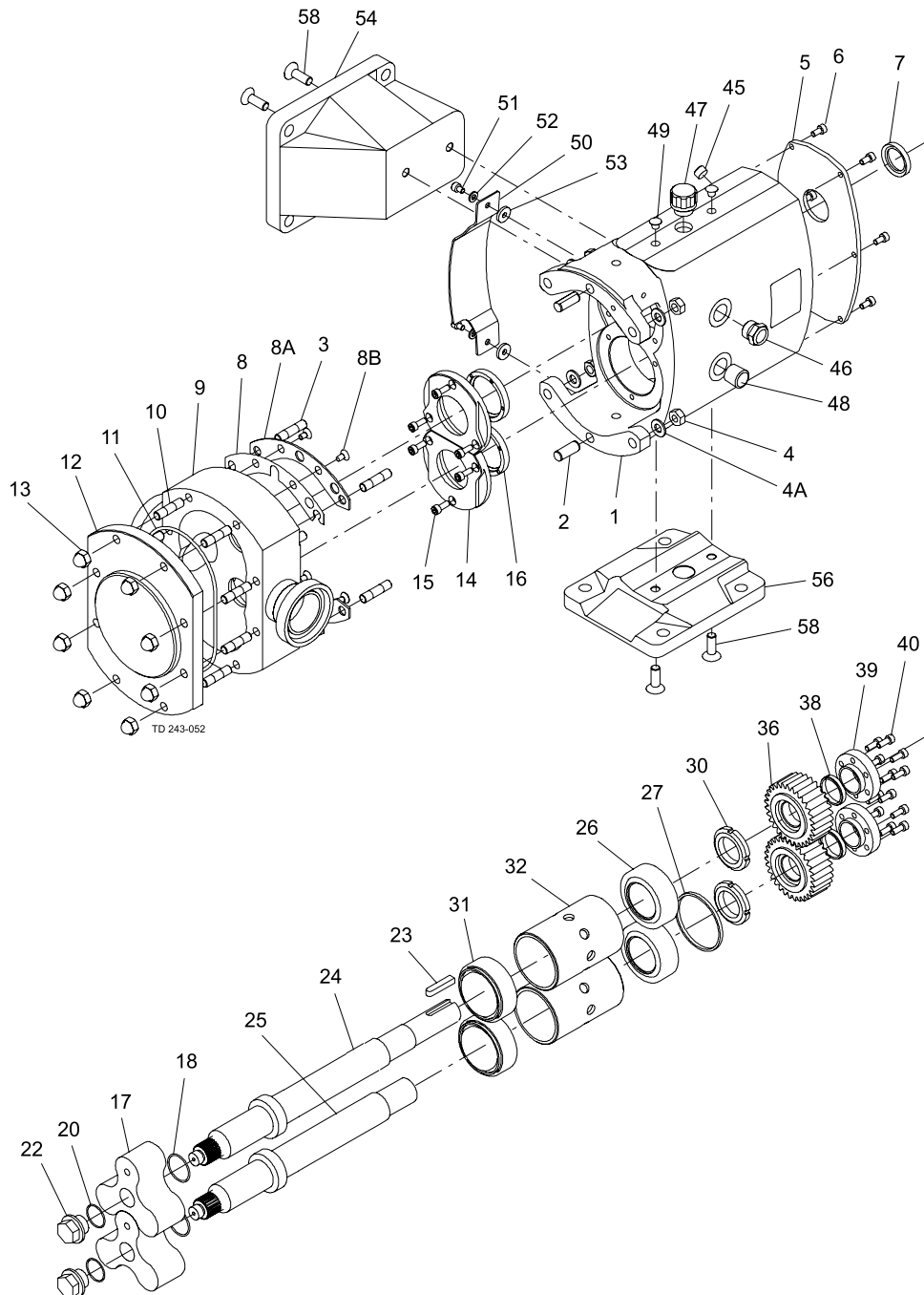
EPDM Inboard and Outboard	FFPM Inboard and Outboard	FPM Inboard and Outboard	NBR Inboard and Outboard
--	--	---	---

EPDM Inboard and Outboard	FFPM Inboard and Outboard	FPM Inboard and Outboard	NBR Inboard and Outboard
---------------------------------	---------------------------------	--------------------------------	--------------------------------



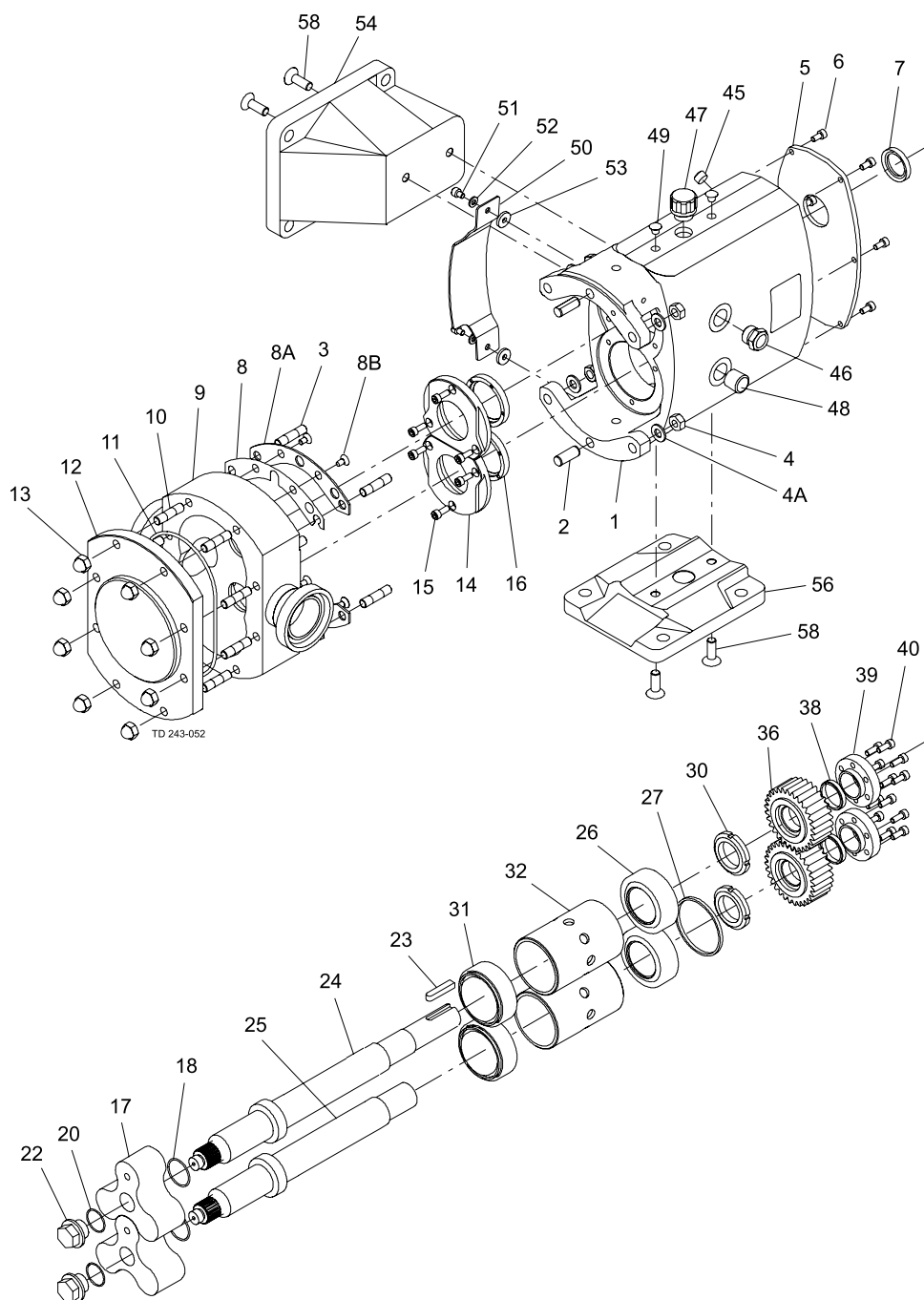
EPDM Inboard and Outboard	FFPM Inboard and Outboard	FPM Inboard and Outboard	NBR Inboard and Outboard
--	--	---	---

EPDM Inboard and Outboard	FFPM Inboard and Outboard	FPM Inboard and Outboard	NBR Inboard and Outboard
---------------------------------	---------------------------------	--------------------------------	--------------------------------



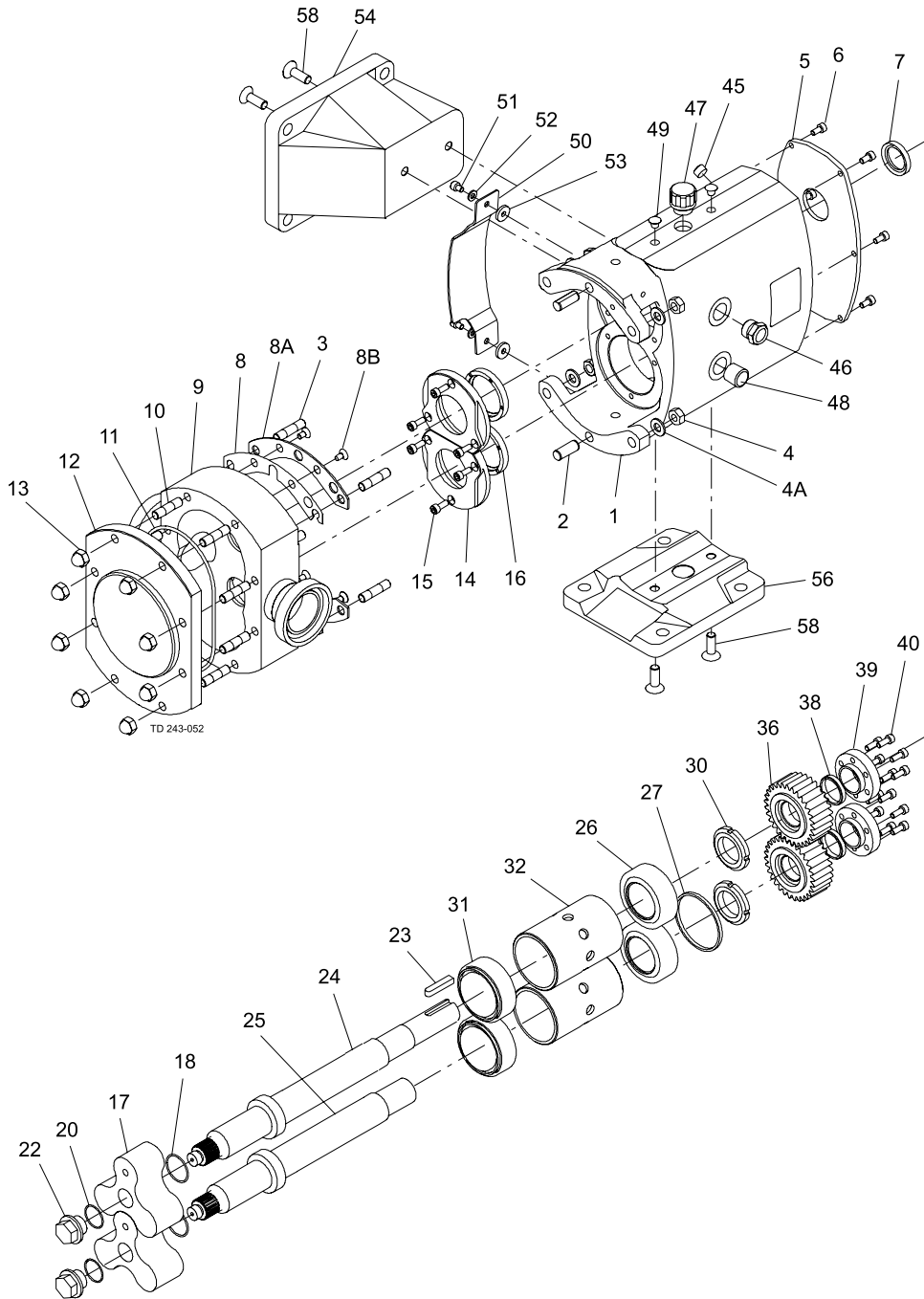
Service kits for SRU pumps

	EPDM	EPDM USP Class VI	FPM	NBR
Service kits for Single Hyclean Mechanical Seal				
Silicon Carbide v Carbon (SRU1)	9630856399	9630861281	9630856400	9630856398
Silicon Carbide v Carbon (SRU2)	9630856423	9630861282	9630856424	9630856422
Silicon Carbide v Carbon (SRU3)	9630856447	9630861283	9630856448	9630856446
Silicon Carbide v Carbon (SRU4)	9630856471	9630861090	9630856472	9630856470
Silicon Carbide v Carbon (SRU5)	9630856495	9630861285	9630856496	9630856494
Silicon Carbide v Carbon (SRU6)	9630856519	9630861286	9630856520	9630856518
Service kits for Single Hyclean Mechanical Seal				
Silicon Carbide v Silicon Carbide (SRU1)	9630856402	9630856966	9630856403	9630856401
Silicon Carbide v Silicon Carbide (SRU2)	9630856426	9630856967	9630856427	9630856425
Silicon Carbide v Silicon Carbide (SRU3)	9630856450	9630856968	9630856451	9630856449
Silicon Carbide v Silicon Carbide (SRU4)	9630856474	9630856969	9630856475	9630856473
Silicon Carbide v Silicon Carbide (SRU5)	9630856498	9630856970	9630856499	9630856497
Silicon Carbide v Silicon Carbide (SRU6)	9630856522	9630856971	9630856523	9630856521
Service kits for Single Hyclean Mechanical Seal				
Silicon Carbide v Silicon Carbide Inserted (SRU1)	9630851640	9630851641	9630851642	9630851643
Silicon Carbide v Silicon Carbide Inserted (SRU2)	9630856530	9630851786	9630856531	9630856529
Silicon Carbide v Silicon Carbide Inserted (SRU3)	9630856538	9630851927	9630856539	9630856537
Silicon Carbide v Silicon Carbide Inserted (SRU4)	9630856546	9630852068	9630856547	9630856545
Silicon Carbide v Silicon Carbide Inserted (SRU5)	9630856554	9630852210	9630856555	9630856553
Silicon Carbide v Silicon Carbide Inserted (SRU6)	9630852353	9630852354	9630852355	9630852356
Service kits for Single Hyclean Mechanical Seal				
Stainless Steel v Carbon (SRU1)	9630856396	9630851644	9630856397	9630856395
Stainless Steel v Carbon (SRU2)	9630856420	9630851787	9630856421	9630856419
Stainless Steel v Carbon (SRU3)	9630856444	9630851928	9630856445	9630856443
Stainless Steel v Carbon (SRU4)	9630856468	9630852069	9630856469	9630856467
Stainless Steel v Carbon (SRU5)	9630856492	9630852211	9630856493	9630856491
Stainless Steel v Carbon (SRU6)	9630856516	9630852357	9630856517	9630856515

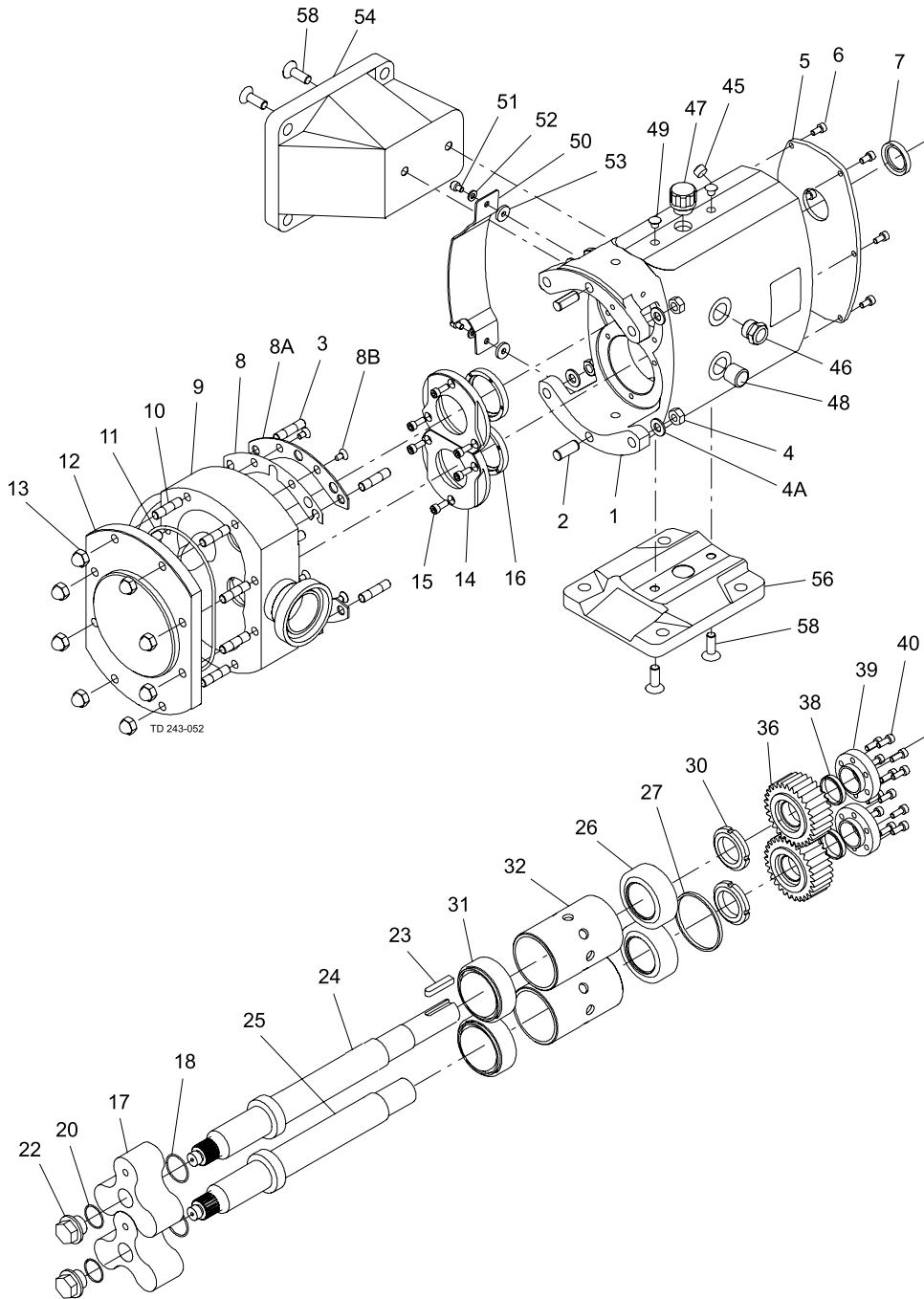


Service kits for SRU pumps

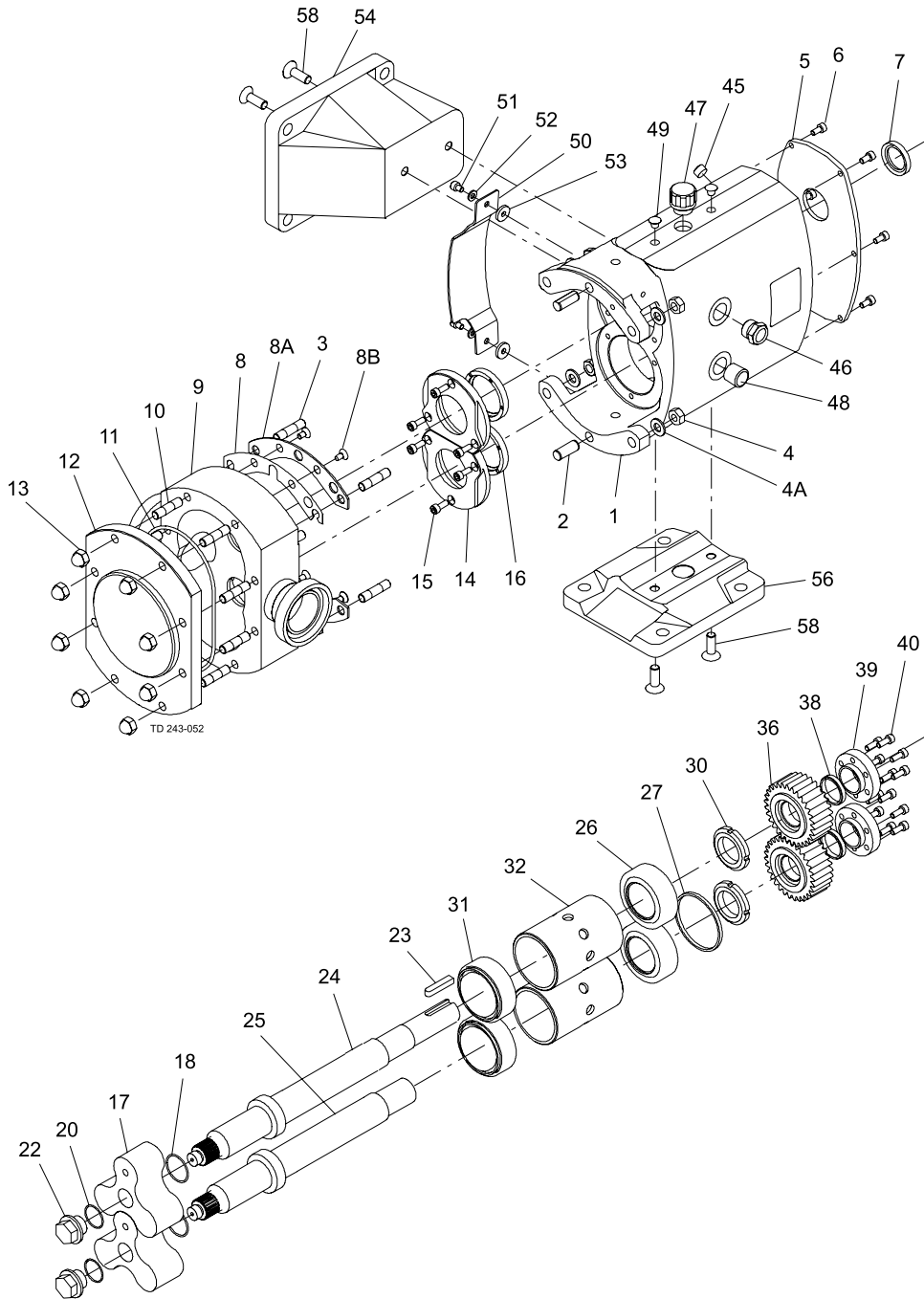
	EPDM	EPDM USP Class VI	FPM	NBR
Service kits for Single Hyclean Mech Seal Flushed BSPT				
Silicon Carbide v Carbon (SRU1)	9630856399	9630861281	9630856400	9630856398
Silicon Carbide v Carbon (SRU2)	9630856423	9630861282	9630856424	9630856422
Silicon Carbide v Carbon (SRU3)	9630856447	9630861283	9630856448	9630856446
Silicon Carbide v Carbon (SRU4)	9630856471	9630861090	9630856472	9630856470
Silicon Carbide v Carbon (SRU5)	9630856495	9630861285	9630856496	9630856494
Silicon Carbide v Carbon (SRU6)	9630856519	9630861286	9630856520	9630856518
Service kits for Single Hyclean Mech Seal Flushed BSPT				
Silicon Carbide v Silicon Carbide (SRU1)	9630856402	9630856966	9630856403	9630856401
Silicon Carbide v Silicon Carbide (SRU2)	9630856426	9630856967	9630856427	9630856425
Silicon Carbide v Silicon Carbide (SRU3)	9630856450	9630856968	9630856451	9630856449
Silicon Carbide v Silicon Carbide (SRU4)	9630856474	9630856969	9630856475	9630856473
Silicon Carbide v Silicon Carbide (SRU5)	9630856498	9630856970	9630856499	9630856497
Silicon Carbide v Silicon Carbide (SRU6)	9630856522	9630856971	9630856523	9630856521
Service kits for Single Hyclean Mech Seal Flushed BSPT				
Silicon Carbide v Silicon Carbide Inserted (SRU1)	9630851640	9630851641	9630851642	9630851643
Silicon Carbide v Silicon Carbide Inserted (SRU2)	9630856530	9630851786	9630856531	9630856529
Silicon Carbide v Silicon Carbide Inserted (SRU3)	9630856538	9630851927	9630856539	9630856537
Silicon Carbide v Silicon Carbide Inserted (SRU4)	9630856546	9630852068	9630856547	9630856545
Silicon Carbide v Silicon Carbide Inserted (SRU5)	9630856554	9630852210	9630856555	9630856553
Silicon Carbide v Silicon Carbide Inserted (SRU6)	9630852353	9630852354	9630852355	9630852356
Service kits for Single Hyclean Mech Seal Flushed BSPT				
Stainless Steel v Carbon (SRU1)	9630856396	9630851644	9630856397	9630856395
Stainless Steel v Carbon (SRU2)	9630856420	9630851787	9630856421	9630856419
Stainless Steel v Carbon (SRU3)	9630856444	9630851928	9630856445	9630856443
Stainless Steel v Carbon (SRU4)	9630856468	9630852069	9630856469	9630856467
Stainless Steel v Carbon (SRU5)	9630856492	9630852211	9630856493	9630856491
Stainless Steel v Carbon (SRU6)	9630856516	9630852357	9630856517	9630856515



	EPDM	EPDM USP Class VI	FPM	NBR
Service kits for Single Hyclean Mech Seal Flushed BSPT				
Silicon Carbide v Carbon (SRU1)	9630856399	9630861281	9630856400	9630856398
Silicon Carbide v Carbon (SRU2)	9630856423	9630861282	9630856424	9630856422
Silicon Carbide v Carbon (SRU3)	9630856447	9630861283	9630856448	9630856446
Silicon Carbide v Carbon (SRU4)	9630856471	9630861090	9630856472	9630856470
Silicon Carbide v Carbon (SRU5)	9630856495	9630861285	9630856496	9630856494
Silicon Carbide v Carbon (SRU6)	9630856519	9630861286	9630856520	9630856518
Service kits for Single Hyclean Mech Seal Flushed BSPT				
Silicon Carbide v Silicon Carbide (SRU1)	9630856402	9630856966	9630856403	9630856401
Silicon Carbide v Silicon Carbide (SRU2)	9630856426	9630856967	9630856427	9630856425
Silicon Carbide v Silicon Carbide (SRU3)	9630856450	9630856968	9630856451	9630856449
Silicon Carbide v Silicon Carbide (SRU4)	9630856474	9630856969	9630856475	9630856473
Silicon Carbide v Silicon Carbide (SRU5)	9630856498	9630856970	9630856499	9630856497
Silicon Carbide v Silicon Carbide (SRU6)	9630856522	9630856971	9630856523	9630856521
Service kits for Single Hyclean Mech Seal Flushed BSPT				
Silicon Carbide v Silicon Carbide Inserted (SRU1)	9630851640	9630851641	9630851642	9630851643
Silicon Carbide v Silicon Carbide Inserted (SRU2)	9630856530	9630851786	9630856531	9630856529
Silicon Carbide v Silicon Carbide Inserted (SRU3)	9630856538	9630851927	9630856539	9630856537
Silicon Carbide v Silicon Carbide Inserted (SRU4)	9630856546	9630852068	9630856547	9630856545
Silicon Carbide v Silicon Carbide Inserted (SRU5)	9630856554	9630852210	9630856555	9630856553
Silicon Carbide v Silicon Carbide Inserted (SRU6)	9630852353	9630852354	9630852355	9630852356
Service kits for Single Hyclean Mech Seal Flushed BSPT				
Stainless Steel v Carbon (SRU1)	9630856396	9630851644	9630856397	9630856395
Stainless Steel v Carbon (SRU2)	9630856420	9630851787	9630856421	9630856419
Stainless Steel v Carbon (SRU3)	9630856444	9630851928	9630856445	9630856443
Stainless Steel v Carbon (SRU4)	9630856468	9630852069	9630856469	9630856467
Stainless Steel v Carbon (SRU5)	9630856492	9630852211	9630856493	9630856491
Stainless Steel v Carbon (SRU6)	9630856516	9630852357	9630856517	9630856515



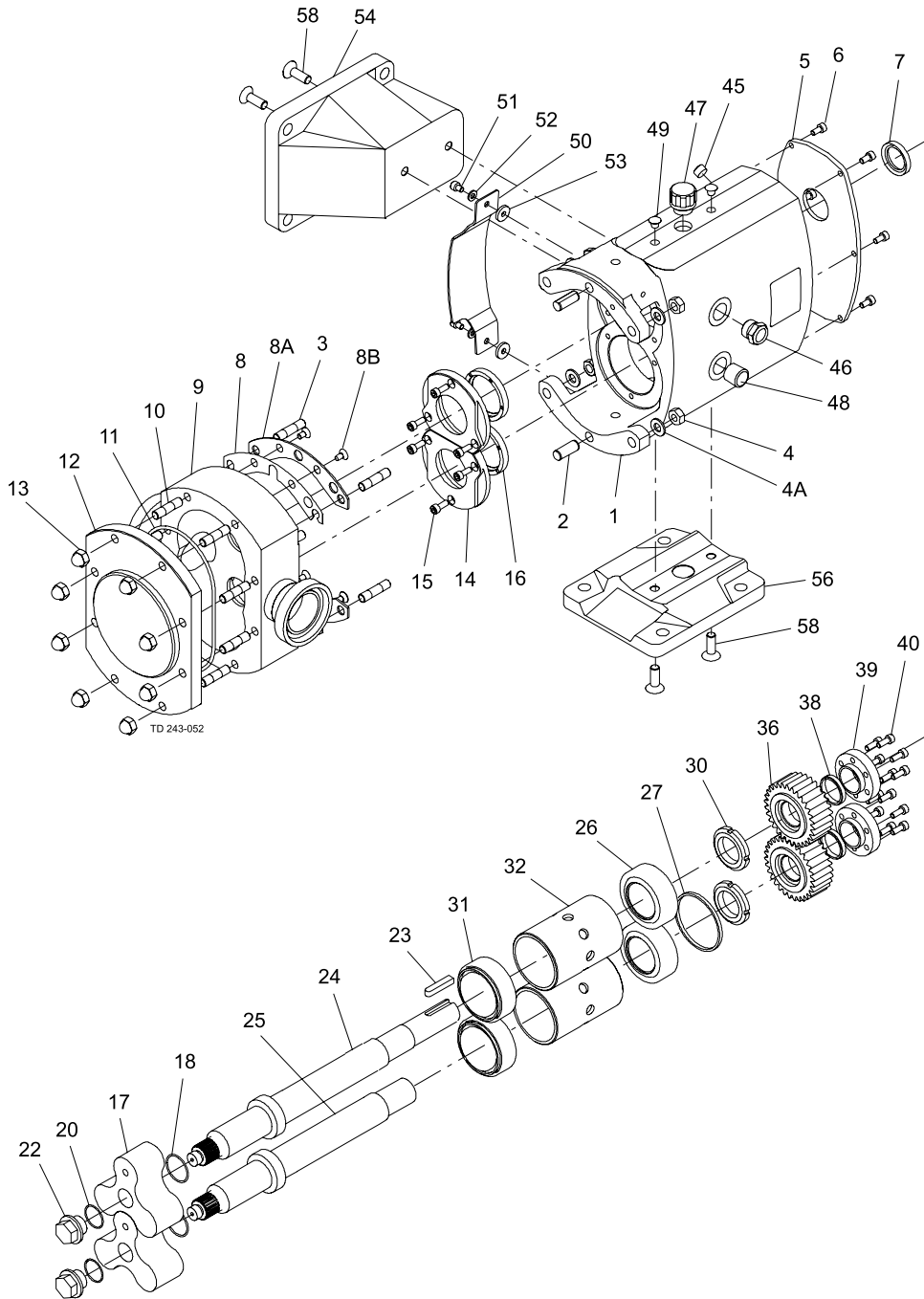
	NBR	EPDM	FPM	FFPM	EPDM USP Class VI
Service kits for Single R90 Mechanical Seal					
Stainless Steel v Carbon Solid (SRU1) ...	9630852358	9630852359	9630852360	9630852361	9630852362
Stainless Steel v Carbon Solid (SRU2) ...	9630852525	9630852526	9630852527	9630852528	9630852529
Stainless Steel v Carbon Solid (SRU3) ...	9630852687	9630852688	9630852689	9630852690	9630852691
Stainless Steel v Carbon Solid (SRU4) ...	9630852853	9630852854	9630852855	9630852856	9630852857
Stainless Steel v Carbon Solid (SRU5) ...	9630853017	9630853018	9630853019	9630853020	9630853021
Stainless Steel v Carbon Solid (SRU6) ...	9630853184	9630853185	9630853186	9630853187	9630853188
Service kits for Single R90 Mechanical Seal					
Stainless Steel v Carbon Inserted (SRU1)	9630852363	9630852364	9630852365	9630852366	9630852367
Stainless Steel v Carbon Inserted (SRU2)	9630852530	9630852531	9630852532	9630852533	9630852534
Stainless Steel v Carbon Inserted (SRU3)	9630852692	9630852693	9630852694	9630852695	9630852696
Stainless Steel v Carbon Inserted (SRU4)	9630852858	9630852859	9630852860	9630852861	9630852862
Stainless Steel v Carbon Inserted (SRU5)	9630853022	9630853023	9630853024	9630853025	9630853026
Stainless Steel v Carbon Inserted (SRU6)	9630853189	9630853190	9630853191	9630853192	9630853193
Service kits for Single R90 Mechanical Seal					
Silicon Carbide v Carbon Inserted (SRU1)	9630852368	9630852369	9630852370	9630852371	9630852372
Silicon Carbide v Carbon Inserted (SRU2)	9630852535	9630852536	9630852537	9630852538	9630852539
Silicon Carbide v Carbon Inserted (SRU3)	9630852697	9630852698	9630852699	9630852700	9630852701
Silicon Carbide v Carbon Inserted (SRU4)	9630852863	9630852864	9630852865	9630852866	9630852867
Silicon Carbide v Carbon Inserted (SRU5)	9630853027	9630853028	9630853029	9630853030	9630853031
Silicon Carbide v Carbon Inserted (SRU6)	9630853194	9630853195	9630853196	9630853197	9630853198
Service kits for Single R90 Mechanical Seal					
Silicon Carbide v Silicon Carbide (SRU1)	9630852373	9630669500	9630852374	9630852375	9630852376
Silicon Carbide v Silicon Carbide (SRU2)	9630852540	9630954874	9630941207	9630852541	9630852542
Silicon Carbide v Silicon Carbide (SRU3)	9630852702	9630669501	9630940006	9630852703	9630852704
Silicon Carbide v Silicon Carbide (SRU4)	9630852868	9630669502	9630940005	9630852869	9630852870
Silicon Carbide v Silicon Carbide (SRU5)	9630853032	9630669503	9630853033	9630853034	9630853035
Silicon Carbide v Silicon Carbide (SRU6)	9630853199	9630669504	9630853200	9630853201	9630853202



	NBR	EPDM	FPM	FFPM	EPDM USP Class VI
Service kits for Single R90 Mechanical Seal Flushed BSPT					
Stainless Steel v Carbon Solid (SRU1) ...	9630852358	9630852359	9630852360	9630852361	9630852362
Stainless Steel v Carbon Solid (SRU2) ...	9630852525	9630852526	9630852527	9630852528	9630852529
Stainless Steel v Carbon Solid (SRU3) ...	9630852687	9630852688	9630852689	9630852690	9630852691
Stainless Steel v Carbon Solid (SRU4) ...	9630852853	9630852854	9630852855	9630852856	9630852857
Stainless Steel v Carbon Solid (SRU5) ...	9630853017	9630853018	9630853019	9630853020	9630853021
Stainless Steel v Carbon Solid (SRU6) ...	9630853184	9630853184	9630853184	9630853184	9630853184
Service kits for Single R90 Mechanical Seal Flushed BSPT					
Stainless Steel v Carbon Inserted (SRU1)	9630852363	9630852364	9630852365	9630852366	9630852367
Stainless Steel v Carbon Inserted (SRU2)	9630852530	9630852531	9630852532	9630852533	9630852534
Stainless Steel v Carbon Inserted (SRU3)	9630852692	9630852693	9630852694	9630852695	9630852696
Stainless Steel v Carbon Inserted (SRU4)	9630852858	9630852859	9630852860	9630852861	9630852862
Stainless Steel v Carbon Inserted (SRU5)	9630853022	9630853023	9630853024	9630853025	9630853026
Stainless Steel v Carbon Inserted (SRU6)	9630853189	9630853190	9630853191	9630853192	9630853193
Service kits for Single R90 Mechanical Seal Flushed BSPT					
Silicon Carbide v Carbon Inserted (SRU1)	9630852368	9630852369	9630852370	9630852371	9630852372
Silicon Carbide v Carbon Inserted (SRU2)	9630852535	9630852536	9630852537	9630852538	9630852539
Silicon Carbide v Carbon Inserted (SRU3)	9630852697	9630852698	9630852699	9630852700	9630852701
Silicon Carbide v Carbon Inserted (SRU4)	9630852863	9630852864	9630852865	9630852866	9630852867
Silicon Carbide v Carbon Inserted (SRU5)	9630853027	9630853028	9630853029	9630853030	9630853031
Silicon Carbide v Carbon Inserted (SRU6)	9630853194	9630853195	9630853196	9630853197	9630853198
Service kits for Single R90 Mechanical Seal Flushed BSPT					
Silicon Carbide v Silicon Carbide (SRU1)	9630852373	9630669500	9630852374	9630852375	9630852376
Silicon Carbide v Silicon Carbide (SRU2)	9630852540	9630954874	9630941207	9630852541	9630852542
Silicon Carbide v Silicon Carbide (SRU3)	9630852702	9630669501	9630940006	9630852703	9630852704
Silicon Carbide v Silicon Carbide (SRU4)	9630852868	9630669502	9630940005	9630852869	9630852870
Silicon Carbide v Silicon Carbide (SRU5)	9630853032	9630669503	9630853033	9630853034	9630853035
Silicon Carbide v Silicon Carbide (SRU6)	9630853199	9630669504	9630853200	9630853201	9630853202

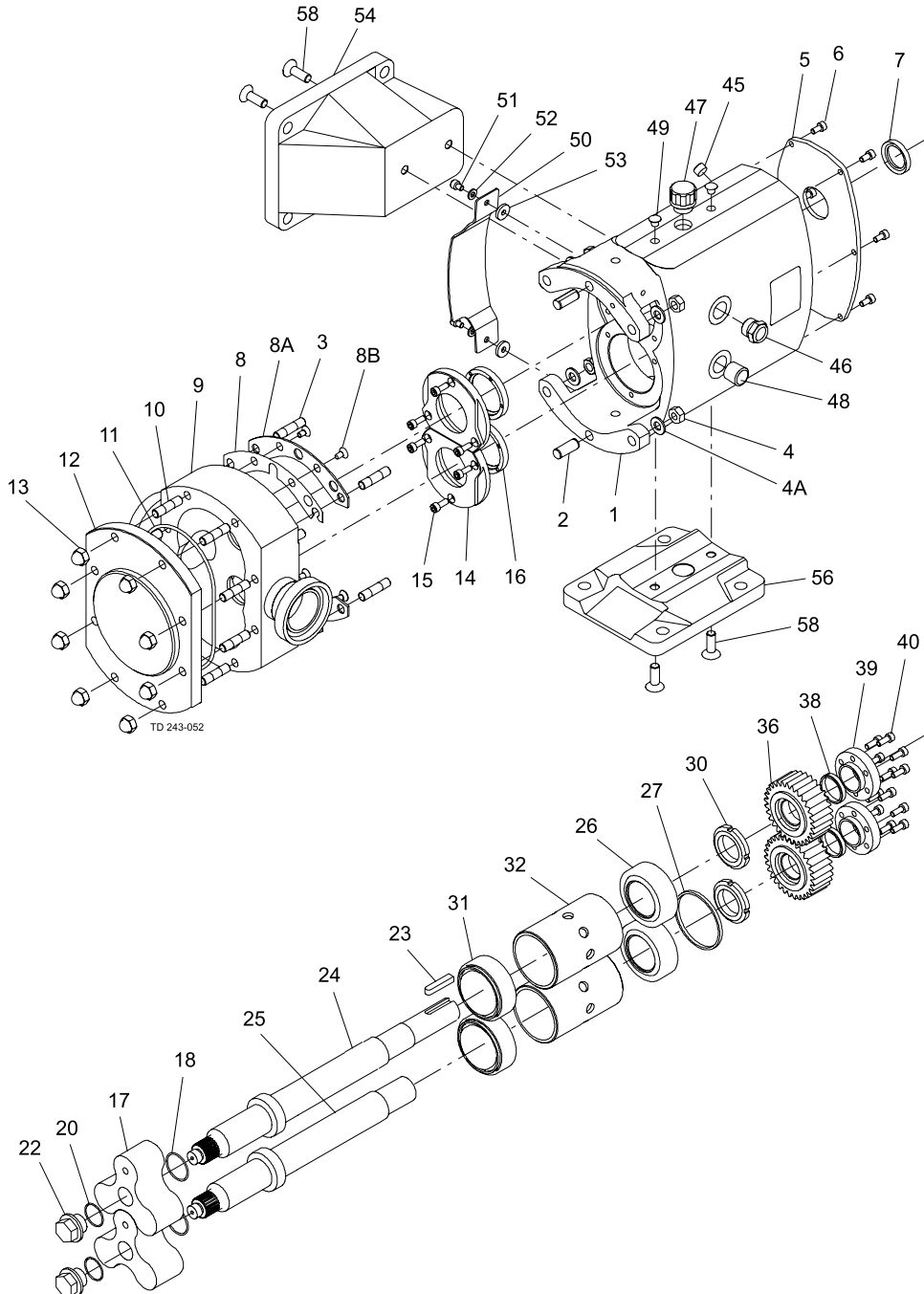
Service kits for SRU pumps

	NBR	EPDM	FPM	FFPM	EPDM USP Class VI
Service kits for Single R90 Mechanical Seal Flushed BSPT					
Stainless Steel v Carbon Solid (SRU1) ...	9630852358	9630852359	9630852360	9630852361	9630852362
Stainless Steel v Carbon Solid (SRU2) ...	9630852525	9630852526	9630852527	9630852528	9630852529
Stainless Steel v Carbon Solid (SRU3) ...	9630852687	9630852688	9630852689	9630852690	9630852691
Stainless Steel v Carbon Solid (SRU4) ...	9630852853	9630852854	9630852855	9630852856	9630852857
Stainless Steel v Carbon Solid (SRU5) ...	9630853017	9630853018	9630853019	9630853020	9630853021
Stainless Steel v Carbon Solid (SRU6) ...	9630853184	9630853185	9630853186	9630853187	9630853188
Service kits for Single R90 Mechanical Seal Flushed BSPT					
Stainless Steel v Carbon Solid (SRU1) ...	9630852363	9630852364	9630852365	9630852366	9630852367
Stainless Steel v Carbon Solid (SRU2) ...	9630852530	9630852531	9630852532	9630852533	9630852534
Stainless Steel v Carbon Solid (SRU3) ...	9630852692	9630852693	9630852694	9630852695	9630852696
Stainless Steel v Carbon Solid (SRU4) ...	9630852858	9630852859	9630852860	9630852861	9630852862
Stainless Steel v Carbon Solid (SRU5) ...	9630853022	9630853023	9630853024	9630853025	9630853026
Stainless Steel v Carbon Solid (SRU6) ...	9630853189	9630853190	9630853191	9630853192	9630853193
Service kits for Single R90 Mechanical Seal Flushed BSPT					
Silicon Carbide v Carbon Inserted (SRU1)	9630852368	9630852369	9630852370	9630852371	9630852372
Silicon Carbide v Carbon Inserted (SRU2)	9630852535	9630852536	9630852537	9630852538	9630852539
Silicon Carbide v Carbon Inserted (SRU3)	9630852697	9630852698	9630852699	9630852700	9630852701
Silicon Carbide v Carbon Inserted (SRU4)	9630852863	9630852864	9630852865	9630852866	9630852867
Silicon Carbide v Carbon Inserted (SRU5)	9630853027	9630853028	9630853029	9630853030	9630853031
Silicon Carbide v Carbon Inserted (SRU6)	9630853194	9630853195	9630853196	9630853197	9630853198
Service kits for Single R90 Mechanical Seal Flushed BSPT					
Silicon Carbide v Silicon Carbide (SRU1)	9630852373	9630669500	9630852374	9630852375	9630852376
Silicon Carbide v Silicon Carbide (SRU2)	9630852540	9630954874	9630941207	9630852541	9630852542
Silicon Carbide v Silicon Carbide (SRU3)	9630852702	9630669501	9630940006	9630852703	9630852704
Silicon Carbide v Silicon Carbide (SRU4)	9630852868	9630669502	9630940005	9630852869	9630852870
Silicon Carbide v Silicon Carbide (SRU5)	9630853032	9630669503	9630853033	9630853034	9630853035
Silicon Carbide v Silicon Carbide (SRU6)	9630853199	9630669504	9630853200	9630853201	9630853202



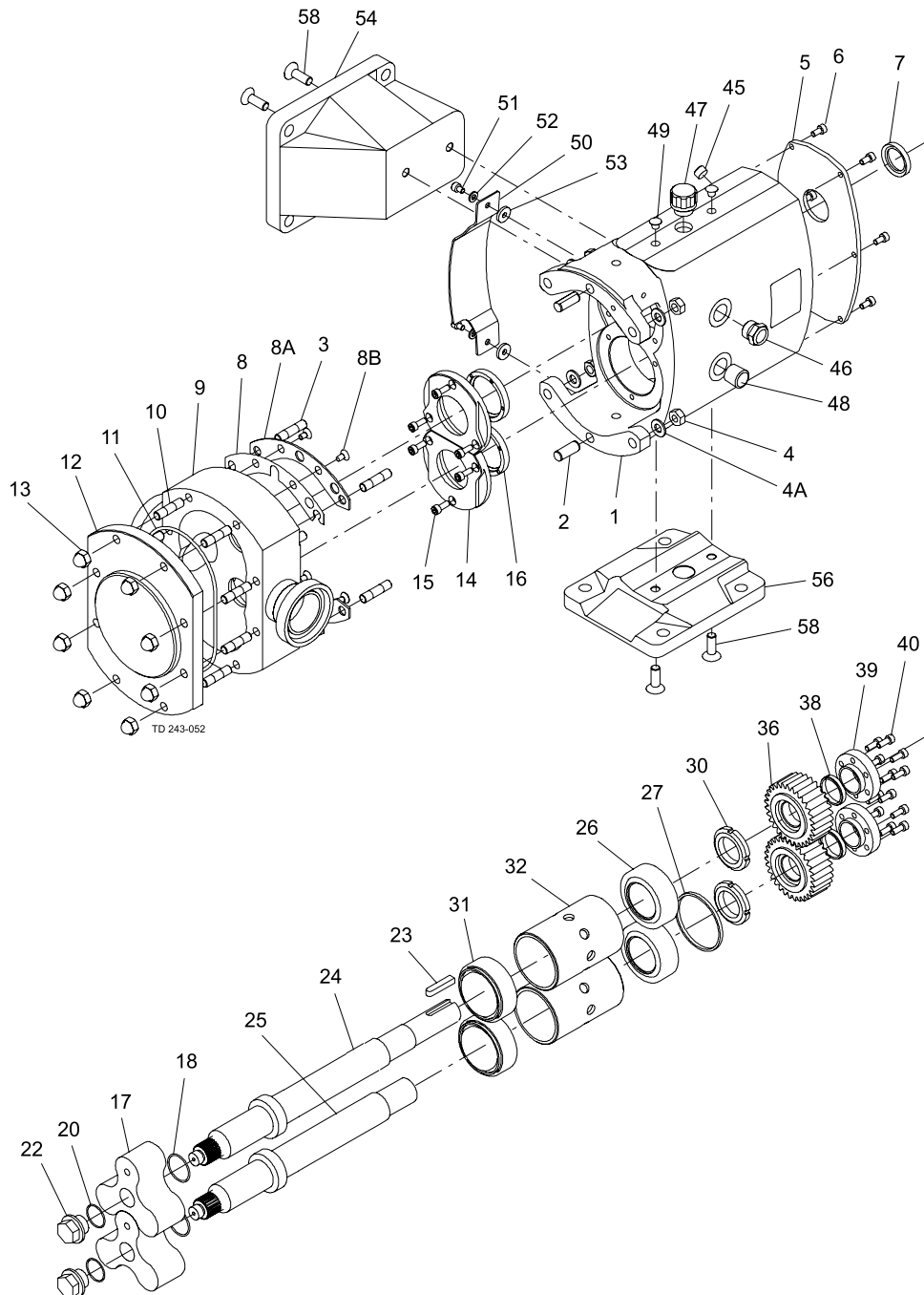
EPDM Inboard and Outboard	FFPM Inboard and Outboard	FPM Inboard and Outboard	NBR Inboard and Outboard
--	--	---	---

EPDM Inboard and Outboard	FFPM Inboard and Outboard	FPM Inboard and Outboard	NBR Inboard and Outboard
---------------------------------	---------------------------------	--------------------------------	--------------------------------

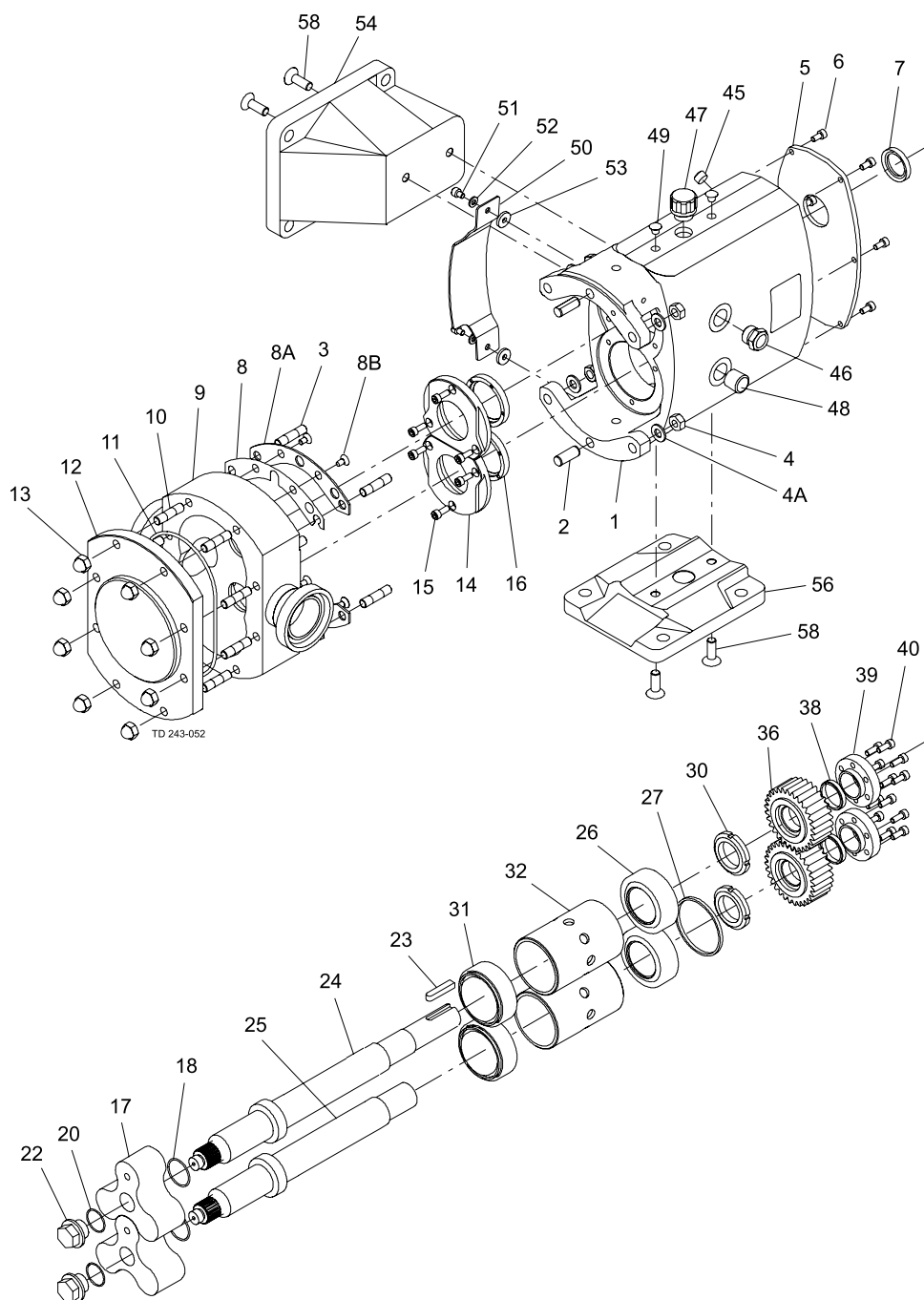


EPDM Inboard and Outboard	FFPM Inboard and Outboard	FPM Inboard and Outboard	NBR Inboard and Outboard
--	--	---	---

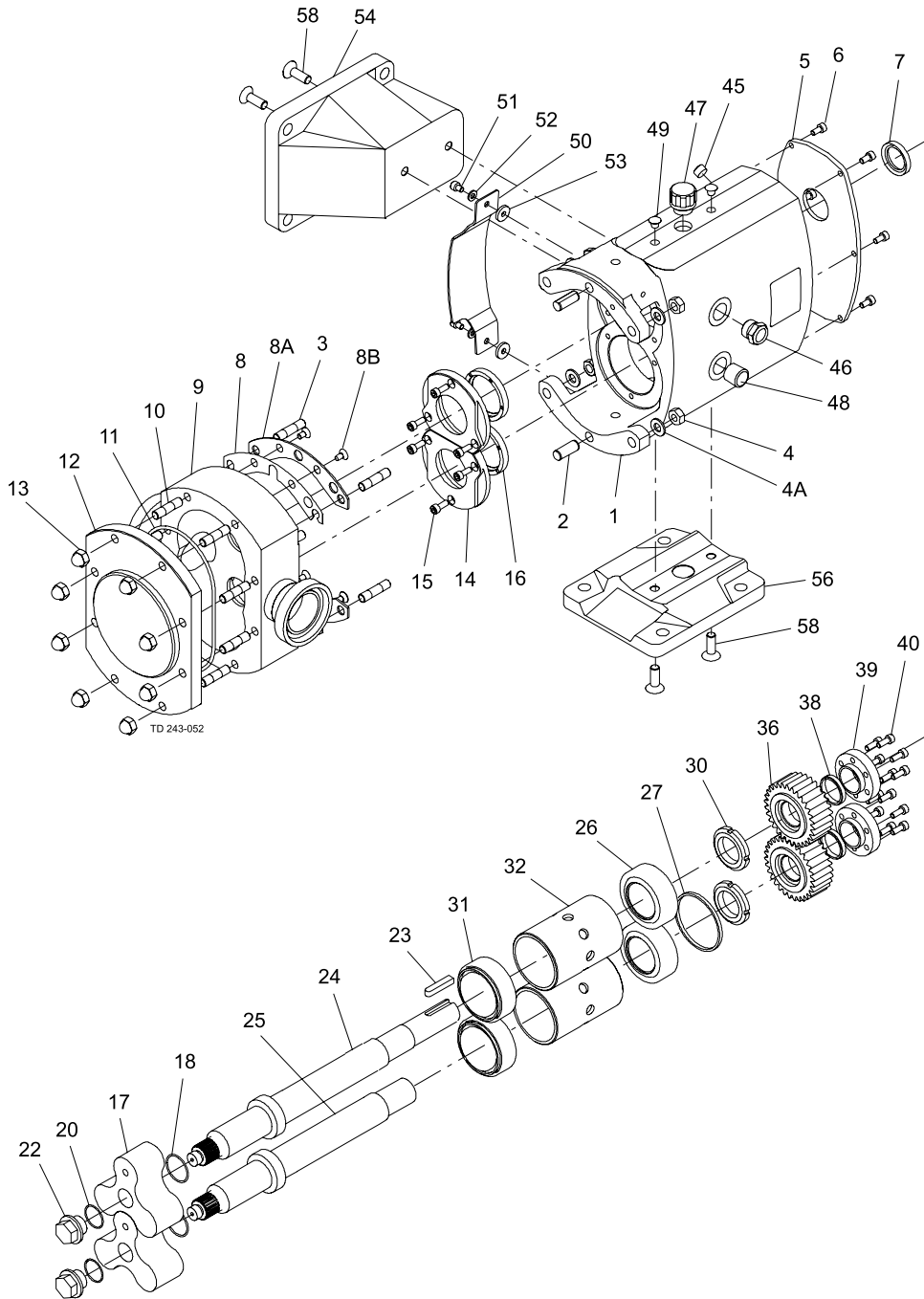
EPDM Inboard and Outboard	FFPM Inboard and Outboard	FPM Inboard and Outboard	NBR Inboard and Outboard
---------------------------------	---------------------------------	--------------------------------	--------------------------------



	EPDM	EPDM USP Class VI	FPM	NBR
Service kits for Single Hyclean Mechanical Seal				
Silicon Carbide v Carbon (SRU1)	9630852509	9630852510	9630852511	9630852512
Silicon Carbide v Carbon (SRU2)	9630924093	9630852673	9630669009	9630852674
Silicon Carbide v Carbon (SRU3)	9630852837	9630852838	9630852839	9630852840
Silicon Carbide v Carbon (SRU4)	9630853003	9630853004	9630853005	9630853006
Silicon Carbide v Carbon (SRU5)	9630853168	9630853169	9630853170	9630853171
Silicon Carbide v Carbon (SRU6)	9630853335	9630853336	9630853337	9630853338
Service kits for Single Hyclean Mechanical Seal				
Silicon Carbide v Silicon Carbide (SRU1)	9630852513	9630852514	9630852515	9630852516
Silicon Carbide v Silicon Carbide (SRU2)	9630852675	9630852676	9630852677	9630852678
Silicon Carbide v Silicon Carbide (SRU3)	9630852841	9630852842	9630852843	9630852844
Silicon Carbide v Silicon Carbide (SRU4)	9630929227	9630853007	9630997261	9630853008
Silicon Carbide v Silicon Carbide (SRU5)	9630853172	9630853173	9630853174	9630853175
Silicon Carbide v Silicon Carbide (SRU6)	9630853339	9630853340	9630853341	9630853342
Service kits for Single Hyclean Mechanical Seal				
Silicon Carbide v Silicon Carbide Inserted (SRU1)	9630852517	9630852518	9630852519	9630852520
Silicon Carbide v Silicon Carbide Inserted (SRU2)	9630852679	9630852680	9630852681	9630852682
Silicon Carbide v Silicon Carbide Inserted (SRU3)	9630852845	9630852846	9630852847	9630852848
Silicon Carbide v Silicon Carbide Inserted (SRU4)	9630853009	9630853010	9630853011	9630853012
Silicon Carbide v Silicon Carbide Inserted (SRU5)	9630853176	9630853177	9630853178	9630853179
Silicon Carbide v Silicon Carbide Inserted (SRU6)	9630853343	9630853344	9630853345	9630853346
Service kits for Single Hyclean Mechanical Seal				
Stainless Steel v Carbon (SRU1)	9630852521	9630852522	9630852523	9630852524
Stainless Steel v Carbon (SRU2)	9630852683	9630852684	9630852685	9630852686
Stainless Steel v Carbon (SRU3)	9630852849	9630852850	9630852851	9630852852
Stainless Steel v Carbon (SRU4)	9630853013	9630853014	9630853015	9630853016
Stainless Steel v Carbon (SRU5)	9630853180	9630853181	9630853182	9630853183
Stainless Steel v Carbon (SRU6)	9630853347	9630853348	9630853349	9630853350



	EPDM	EPDM USP Class VI	FPM	NBR
Service kits for Single Hyclean Mech Seal Flushed BSPT				
Silicon Carbide v Carbon (SRU1)	9630852509	9630852510	9630852511	9630852512
Silicon Carbide v Carbon (SRU2)	9630924093	9630852673	9630669009	9630852674
Silicon Carbide v Carbon (SRU3)	9630852837	9630852838	9630852839	9630852840
Silicon Carbide v Carbon (SRU4)	9630853003	9630853004	9630853005	9630853006
Silicon Carbide v Carbon (SRU5)	9630853168	9630853169	9630853170	9630853171
Silicon Carbide v Carbon (SRU6)	9630853335	9630853336	9630853337	9630853338
Service kits for Single Hyclean Mech Seal Flushed BSPT				
Silicon Carbide v Silicon Carbide (SRU1)	9630852513	9630852514	9630852515	9630852516
Silicon Carbide v Silicon Carbide (SRU2)	9630852675	9630852676	9630852677	9630852678
Silicon Carbide v Silicon Carbide (SRU3)	9630852841	9630852842	9630852843	9630852844
Silicon Carbide v Silicon Carbide (SRU4)	9630929227	9630853007	9630997261	9630853008
Silicon Carbide v Silicon Carbide (SRU5)	9630853172	9630853173	9630853174	9630853175
Silicon Carbide v Silicon Carbide (SRU6)	9630853339	9630853340	9630853341	9630853342
Service kits for Single Hyclean Mech Seal Flushed BSPT				
Silicon Carbide v Silicon Carbide Inserted (SRU1)	9630852517	9630852518	9630852519	9630852520
Silicon Carbide v Silicon Carbide Inserted (SRU2)	9630852679	9630852680	9630852681	9630852682
Silicon Carbide v Silicon Carbide Inserted (SRU3)	9630852845	9630852846	9630852847	9630852848
Silicon Carbide v Silicon Carbide Inserted (SRU4)	9630853009	9630853010	9630853011	9630853012
Silicon Carbide v Silicon Carbide Inserted (SRU5)	9630853176	9630853177	9630853178	9630853179
Silicon Carbide v Silicon Carbide Inserted (SRU6)	9630853343	9630853344	9630853345	9630853346
Service kits for Single Hyclean Mech Seal Flushed BSPT				
Stainless Steel v Carbon (SRU1)	9630852521	9630852522	9630852523	9630852524
Stainless Steel v Carbon (SRU2)	9630852683	9630852684	9630852685	9630852686
Stainless Steel v Carbon (SRU3)	9630852849	9630852850	9630852851	9630852852
Stainless Steel v Carbon (SRU4)	9630853013	9630853014	9630853015	9630853016
Stainless Steel v Carbon (SRU5)	9630853180	9630853181	9630853182	9630853183
Stainless Steel v Carbon (SRU6)	9630853347	9630853348	9630853349	9630853350



	EPDM	EPDM USP Class VI	FPM	NBR
Service kits for Single Hyclean Mech Seal Flushed NPT				
Silicon Carbide v Carbon (SRU1)	9630852509	9630852510	9630852511	9630852512
Silicon Carbide v Carbon (SRU2)	9630924093	9630852673	9630669009	9630852674
Silicon Carbide v Carbon (SRU3)	9630852837	9630852838	9630852839	9630852840
Silicon Carbide v Carbon (SRU4)	9630853003	9630853004	9630853005	9630853006
Silicon Carbide v Carbon (SRU5)	9630853168	9630853169	9630853170	9630853171
Silicon Carbide v Carbon (SRU6)	9630853335	9630853336	9630853337	9630853338
Service kits for Single Hyclean Mech Seal Flushed NPT				
Silicon Carbide v Silicon Carbide (SRU1)	9630852513	9630852514	9630852515	9630852516
Silicon Carbide v Silicon Carbide (SRU2)	9630852675	9630852676	9630852677	9630852678
Silicon Carbide v Silicon Carbide (SRU3)	9630852841	9630852842	9630852843	9630852844
Silicon Carbide v Silicon Carbide (SRU4)	9630929227	9630853007	9630997261	9630853008
Silicon Carbide v Silicon Carbide (SRU5)	9630853172	9630853173	9630853174	9630853175
Silicon Carbide v Silicon Carbide (SRU6)	9630853339	9630853340	9630853341	9630853342
Service kits for Single Hyclean Mech Seal Flushed NPT				
Silicon Carbide v Silicon Carbide Inserted (SRU1)	9630852517	9630852517	9630852517	9630852517
Silicon Carbide v Silicon Carbide Inserted (SRU2)	9630852679	9630852680	9630852681	9630852682
Silicon Carbide v Silicon Carbide Inserted (SRU3)	9630852845	9630852846	9630852847	9630852848
Silicon Carbide v Silicon Carbide Inserted (SRU4)	9630853009	9630853010	9630853011	9630853012
Silicon Carbide v Silicon Carbide Inserted (SRU5)	9630853176	9630853177	9630853178	9630853179
Silicon Carbide v Silicon Carbide Inserted (SRU6)	9630853343	9630853344	9630853345	9630853346
Service kits for Single Hyclean Mech Seal Flushed NPT				
Stainless Steel v Carbon (SRU1)	9630852521	9630852522	9630852523	9630852524
Stainless Steel v Carbon (SRU2)	9630852683	9630852684	9630852685	9630852686
Stainless Steel v Carbon (SRU3)	9630852849	9630852850	9630852851	9630852852
Stainless Steel v Carbon (SRU4)	9630853013	9630853014	9630853015	9630853016
Stainless Steel v Carbon (SRU5)	9630853180	9630853181	9630853182	9630853183
Stainless Steel v Carbon (SRU6)	9630853347	9630853348	9630853349	9630853350

Issue	Ref	Date	Description
	-		SRU range introduced and replaces SR/3A and NMOG pump ranges. (SR/3A SS and SD versions still available to special order only.)
SRU INTRO- DUCTION	CH5808	February 2001	The gearboxes on sizes SRU1-4 revised to universal mounting with bolt-on feet for either horizontal or vertical porting.
	CH5809		Gearboxes on sizes SRU5-6 remained as dedicated for either horizontal or vertical porting but standardised to one external shape.
	CH5808 CH5809		Grease lubrication withdrawn as a standard option.
	CH5817 CH5834		SRU6/260 introduced to replace SR6/246/3A and NMOG822 to provide increased bore size on 4" ports.
	CH5804		Sanitary size port bores introduced throughout range (CH5804, CH5758, CH5812, CH5813, and CH5814).
	CH5793		Shim retainers standardised to one item per pump size that is suitable to fit both the SRU and for spares requirements on discontinued SR, SR/3A and NMOG ranges.
	CH5795		SRU1-4 timing gears revised to hardened as standard.
	CH5816		New style gland guards introduced.
	CH5825 CH5826		Bilobe rotors revised to have the master spline at 45 deg which allows both rotors in the pump to be identical instead of 'handed'.
	CH5839		Hyclean flushed lip seals standardised to fully enclosed FPM with stainless steel spring.
2001-02	TM	01-02-2001	New manual issue 1 ref SP70844-GB1
1.01	CH		Pump drg item no 14A (gasket) deleted. The gaskets are no longer available and silicone sealant (item Z3717.0001) is used.
1.02	CH5883	05-03-2001	Pump drg item no 46A (sight glass washer) deleted. The sight glass 5480.001 has been changed to include an integral washer.
1.03	CH5884	06-03-2001	SRU1 and SRU2 Pump drg item no. 51/52 gland guard screws revised to 4 off part 6000.010 (item 9630050533) instead of 4 off 5990.045 and 4 off washers 6400.046.
1.04	CH5905	26-04-2001	Pump drg item no 40 (screw) revised on pump sizes SRU2 and SRU3. SRU2 part number updated from part 5990.044 to part 5990.007 and item updated from 9630030096 to 9630024595. SRU3 part number updated from part part 5990.007 to part 5990.005 and item updated from 9630024595 to 9630024591.
1.05			Pump drg item no 1 (gearcase) and drg items 54 and 56 (feet) revised to indicate part and item numbers for painted Alfa Laval Blue.
1.06			SRU1 Pump drg item no. 7 (FPM) item number corrected from 9630030621 to item 9630032806
1.07			SRU1 Pump drg item no. 11 (PTFE) part number corrected from 1550.239 to part 1552.239.
1.08			SRU1 Pump drg item no. 18 (FPM) part number corrected from 5380.566 to part 5380.420 and item number corrected from item 9630057303 to item 9630044557.
1.09			SRU2 Pump drg item no. 18 (EPDM) item number corrected from 9630046454 to item 9630046455.
1.10			SRU4 Pump drg item no. 11 (FPM) part number corrected from 5380.433 to part 1551.265 and item number corrected from 9630045581 to 9630037519.
1.11			SRU5 Pump drg item no. 11 (FPM) part number corrected from 5380.436 to part 1551.273 and item number corrected from 9630045584 to 9630046180.
1.12			SRU5 Pump drg item no. 8A corrected from part 6150.256 to part 6150.315 and the item changed from 9630050529 to item 9630089544 as per above CH5793.
1.13			SRU2/013 bilobe rotor part number 5741.013N item number corrected to 9630090572.
1.14			SRU2/018 bilobe rotor part number 5741.018W item number corrected to 9630099560.
1.15			SRU1 R90 flush housing gasket corrected to part number 5198.201 and item number to 9630062179 and quantity to 1 per pump as per CH5234 (1997).
1.16			SRU4 R90 flush housing studs, nuts and washers corrected to screws part number 5990.078 item 9630060520 as per CH5151 (1996).
1.17			SRU5 R90 flush housing studs corrected to part number 6350.104 item 9630019863.
1.18			Details of Hyclean retaining clips and screws added.
1.19			SRU1 Hyclean housing O-Ring corrected to part number 5380.273 item 9630027378.
1.20			SRU2 Hyclean housing O-Ring corrected to part number 1551.138 item 9630037158.
1.21			SRU5 Hyclean housing O-Ring corrected to part number 5380.407 item 9630043063.
1.22			SRU6 Hyclean housing O-Ring corrected to part number 5380.292 item 9630039129.
1.23			Details of stainless steel shaft sleeves added to SRU1-4 packed gland arrangements.
1.24			SRU1 packed gland flush housings corrected to part numbers 5235.014AA and 5235.014BA (items 9630101726 and 9630101727).
1.25			SRU1 packed gland housing gasket corrected to part number 5198.201 and item number to 9630062179 and quantity to 1 per pump as per CH5234 (1997).
1.26			Packed gland housing stud nuts corrected as per CH5093 (1996).
1.27			SRU4-6 gland followers corrected to split type as per CH4831 (1994).
1.28			SRU2 Pump drg. Item no. 2 dowel, part number corrected to 5170.025 and item number to 9630030093.
1.29			SRU3 Packed gland stud corrected to part number 6350.144 and item 9630058750 as per CH5654 (1999).

Issue	Ref	Date	Description
2	0211	01-11-2002	NEW MANUAL SRU
2.01		13-05-2002	Part numbers and item numbers of SRU4 Cover/Spline Sealing kits on p.35 corrected.
3	0503	01-03-2005	Manual updated to include latest R90 and Hyclean seal drawings and parts list.
3.01	CH10707	01-03-2005	Hyclean drive and auxiliary shafts now only available in Duplex material. Hyclean stainless steel shaft part numbers removed (SRU2 – 6100.656 & 6110.656, SRU3 – 6100.657 & 6110.657, SRU4 – 6100.658 & 6110.658, SRU5 – 6100.659 & 6110.659, SRU6 – 6100.708 & 6110.708).
3.02	CH10672	01-03-2005	Note added to p.39, 40, 50, 51 and 52 relating to use of double wave springs.
3.03		30-01-2006	Rotorcase body part numbers table modified.
3.04	CH-109 81	30-01-2006	NBR, EPDM and PTFE Spacer O-Ring options removed, leaving only FPM available.
3.05		30-01-2006	Hyclean stainless steel shaft part numbers previously removed now reinstated (SRU2 – 6100.656 & 6110.656, SRU3 – 6100.657 & 6110.657, SRU4 – 6100.658 & 6110.658, SRU5 – 6100.659 & 6110.659, SRU6 – 6100.708 & 6110.708).
3.06	CH-109 92	30-01-2006	EPDM USP Class VI O-Rings and seals p.69 added.
3.07		30-01-2006	Electropolished parts p.70-72 added.
3.08		28-02-2006	ATEX parts added.
3.09	CH-107 02	28-02-2006	Feet gaskets removed SRU1-4. Exploded view drawings amended.
3.10	CH-108 47	28-02-2006	SRU3 Vertically ported foot part number changed from 5225.403.00 to 5225.413.00
4	0603	01-03-2006	NEW ISSUE
4.01		08-04-2008	Item number corrected to 9630031929 for SRU6 O-Ring for Hyclean single flushed seal conversion kit.
4.02		08-04-2008	Bonded washer part number 31499.5916.1 added to ATEX parts.
4.03		08-04-2008	Item number corrected to 9630878758 for SRU3 vertically ported foot.
4.04	CH-110 28	08-04-2008	Part number 6150.324 and item number 9630101746 added to shim set for SRU6 pressure relief valve parts.
4.05		08-04-2008	Note referring to qty of packing rings amended on p.62 and p.63
4.06		08-04-2008	Part and item corrected to 5380.292 (9630031929) for SRU5/116 O-Ring for rectangular-round adaptor.
4.07		07-07-2008	Part and item numbers added for SRU6 O-Ring for rectangular-round adaptor.
4.08		07-07-2008	For SRU2-6 Rotary Seal Assembly description corrected to show drive ring included in 74B and not 74A.
4.09		07-07-2008	Service Kits added to include Cover/Sealing Kits and R90/Hyclean Single Mechanical Seals.
4.10	CH-112 33	23-09-2009	R90 single and double flushed seal housing gasket replaced by 'o' ring for SRU2-6. Part No.s 5198.100, 5198.101, 5198.102, 5198.103 and 5198.104 replaced by 1551.034, 1551.037, 1551.532, 1551.044 and 1551.048 respectively.
4.11	CH-112 44	23-09-2009	For rectangular/round adaptor on SRU2 pump the stud/nut fixing now replaced by cap screw fixing . Part No.s 6350.018 and 5330.007 therefore replaced by 5990.052
4.12	CH-112 72	23-09-2009	SRU6 relief valve bush part number 5060.011 replaced by 5060.016
4.13	CH-113 01	22-12-2010	SRU1 rotary seal 'o' ring part number 5380.219, material changed from PTFE encapsulated to Perfluoroelastomer.
4.14	CH-113 04	22-12-2010	Relief valve lever lift spare parts removed for SRU6.
4.15	CH-113 22	22-12-2010	SRU1-4 gland guard washer part number changed.
4.16	CH-113 28	22-12-2010	Relief valve pin and backstop disc part numbers changed.
4.17	CH-114 04	22-12-2010	Stud for rectangular inlet on SRU4 pump part number 6350.093 replaced by 6350.135.
5	1101	01-01-2011	NEW ISSUE
5.01	CH-113 87	13-07-2011	Relief valve rotorcase cover part numbers changed (SRU1 – 5131.093 replaced by 5131.131, SRU2 – 5131.094 replaced by 5131.132, SRU3 – 5131.095 replaced by 5131.133, SRU4 – 5131.096 replaced by 5131.134, SRU5 – 5131.097 replaced by 5131.135, SRU6 – 5131.098 replaced by 5131.136) Part numbers for relief valve front cover 'o' rings changed.
5.02	CH-114 60	13-07-2011	SRU3 gearcase cover screw part number 5990.044 replaced by 5990.007
5.03	CH-114 29	13-07-2011	Single flushed hyclean seal housing screw part numbers changed (SRU3 – 5990.066 replaced by 5990.034, SRU4 – 5990.066 replaced by 5990.034, SRU5 – 5990.034 replaced by 5990.022)
5.04	CH-114 77	20-01-2011	Note added for plastic bush on ATEX parts.
5.05	CH-114 70	20-01-2011	Triple lip seal part numbers added.
5.06	CH-115 31	16-05-2011	Gland guards added for ATEX single flushed seals.

SRU Revision History

5.07	CH-115 32	16-05-2011	SRU2 rotary and stationary seal 'o' rings part numbers 5380.227 and 5380.228 and SRU1 stationary seal 'o' ring part number 5380.220, material changed from PTFE encapsulated to FFPM Perfluoroelastomer.
5.08	CH-115 41	16-05-2011	SRU3 - 6 rotary and stationary seal 'o' rings part numbers 5380.123, 5380.236, 5380.243, 5380.244, 5380.251, 5380.252, 5380.259, 5380.260, 5380.299 and 5380.300, material changed from PTFE encapsulated to FFPM Perfluoroelastomer.
5.09	CH-115 59	16-05-2011	Stud for single flushed R90 seal housing on SRU2 pump part number 6350.102 replaced by 6350.135.
5.10		17-05-2011	Spline sealing 'o' rings material description changed from PTFE to FEP Enc.

Issue	Ref	Date	Description
6	1206	01-06-2011	NEW ISSUE
6.01	-	20-05-2013	Packed gland flush (NPT) housing part numbers corrected.
6.02	CH-115 86	13-06-2013	ATEX Single flush seal housings added (SRU2-6).
6.03	CH-115 93	13-06-2013	Changes to Triple Lip Seal parts (SRU3 lip seal 5310.151 replaced by 5310.155, SRU6 stud 6350.094 replaced by 6350.111, Washers added).
6.04	CH-116 55	13-06-2013	Changes to EPDM USP Class VI parts (SRU1 rotor 'o' ring 5380.779 replaced by 5380.446, SRU6 front cover 'o' ring 1556.277 replaced by 1555.277).
6.05	CH-112 20	13-06-2013	Jacket material changed from aluminum to stainless steel. Part No.s 5268.025, 5268.026, 5268.027, 5268.028, 5268.029 and 5268.030 replaced by 5268.013, 5268.014, 5268.015, 5268.016, 5268.017 and 5268.018 respectively. Special ATEX jackets removed.
6.06	CH-112 20	13-06-2013	Saddle material changed from aluminum to stainless steel. Part No.s 5268.031, 5268.032, 5268.033, 5268.034, 5268.035 and 5268.036 replaced by 5268.019, 5268.020, 5268.021, 5268.022, 5268.023 and 5268.024 respectively. Special ATEX saddles removed.
7	1307	01-07-2013	NEW ISSUE
7.01	CH-117 69	01-05-2017	Gearcase feet material changed from cast iron painted to stainless steel. Part No.s 5225.301.00, 5225.302.00, 5225.303.00, 5225.304.00, 5225.401.00, 5225.402.00, 5225.413.00 and 5225.404.00 replaced by 5225.301, 5225.302, 5225.303, 5225.304, 5225.401, 5225.402, 5225.413 and 5225.404 respectively.
7.02	CH-118 62	01-05-2017	Flange description BS4504/DIN2533 changed to EN1092-1 B1 PN16.
7.03	CH-118 95	01-05-2017	Electropolished parts (i.e. Rotorcase, Rotorcase Cover, Rotors, and Rotor Nuts) now include for 3.1 Traceability. Part numbers changed accordingly.
7.04	CH-120 53	01-05-2017	Introduction of universal gearbox for SRU5 and SRU6. Part numbers changed for gearcase, gearcase cover, gland guards, gland guard screws and gland guard washers. Lip seal Pos No.35, qty changed to 2. Feet and bolts added.
8	1705	01-05-2017	NEW ISSUE

How to contact Alfa Laval

Contact details for all countries are continually updated on our website.

Please visit www.alfalaval.com to access the information directly.

© Alfa Laval Corporate AB

This document and its contents is owned by Alfa Laval Corporate AB and protected by laws governing intellectual property and thereto related rights. It is the responsibility of the user of this document to comply with all applicable intellectual property laws. Without limiting any rights related to this document, no part of this document may be copied, reproduced or transmitted in any form or by any means (electronic, mechanical, photocopying, recording, or otherwise), or for any purpose, without the expressed permission of Alfa Laval Corporate AB. Alfa Laval Corporate AB will enforce its rights related to this document to the fullest extent of the law, including the seeking of criminal prosecution.