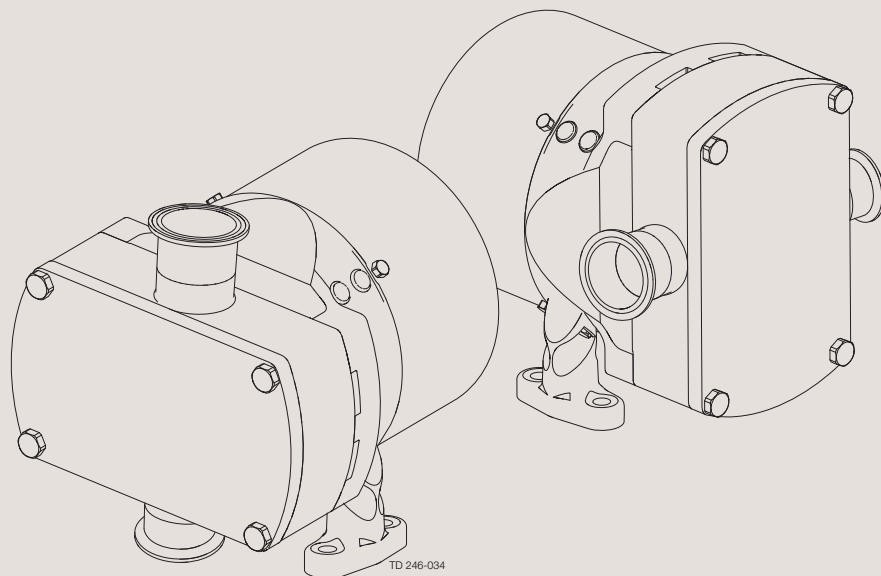




Spare Parts

Rotary Lobe Pumps - OptiLobe Range



100000966-EN11

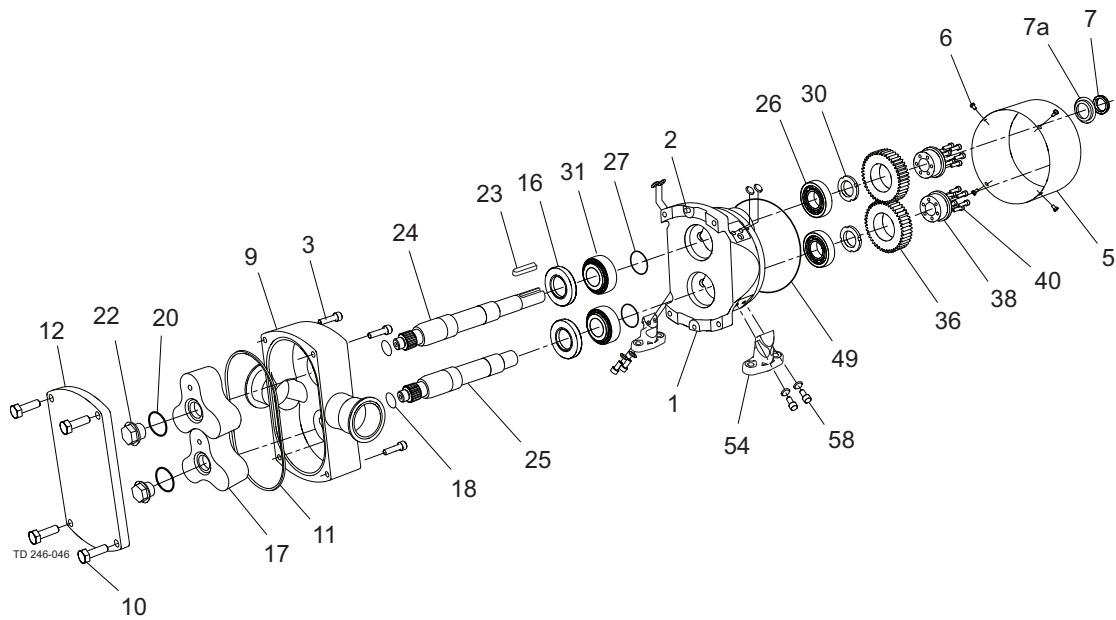
2022-07

Original manual

Table of contents

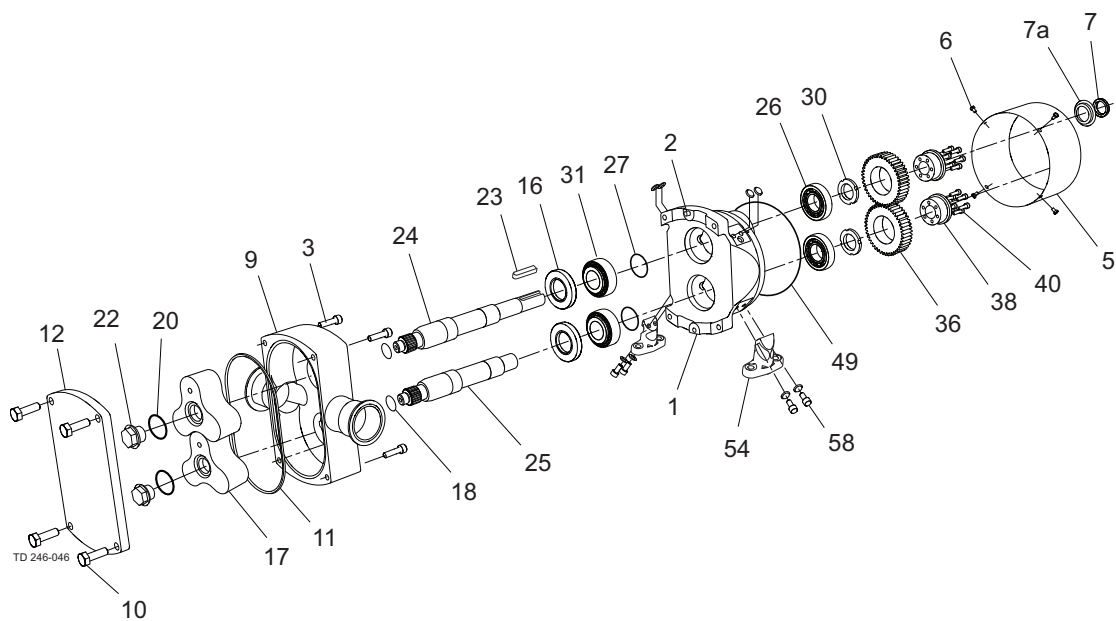
The information herein is correct at the time of issue but may be subject to change without prior notice

1. OptiLobe 12 / 13 Pump	4
2. OptiLobe 22 / 23 Pump	6
3. OptiLobe 32 / 33 Pump	8
4. OptiLobe 42 / 43 Pump	10
5. OptiLobe 52 / 53 Pump	12
6. Pump Exploded View Drawing	14
7. Service Kits - Optilobe 12 / 13 Pump	16
8. Service Kits - Optilobe 22 / 23 Pump	18
9. Service Kits - Optilobe 32 / 33 Pump	20
10. Service Kits - Optilobe 42 / 43 Pump	22
11. Service Kits - Optilobe 52 / 53 Pump	24
12. EasyFit Single Mechanical Seal	26
13. EasyFit Single Flushed Mechanical Seal	28



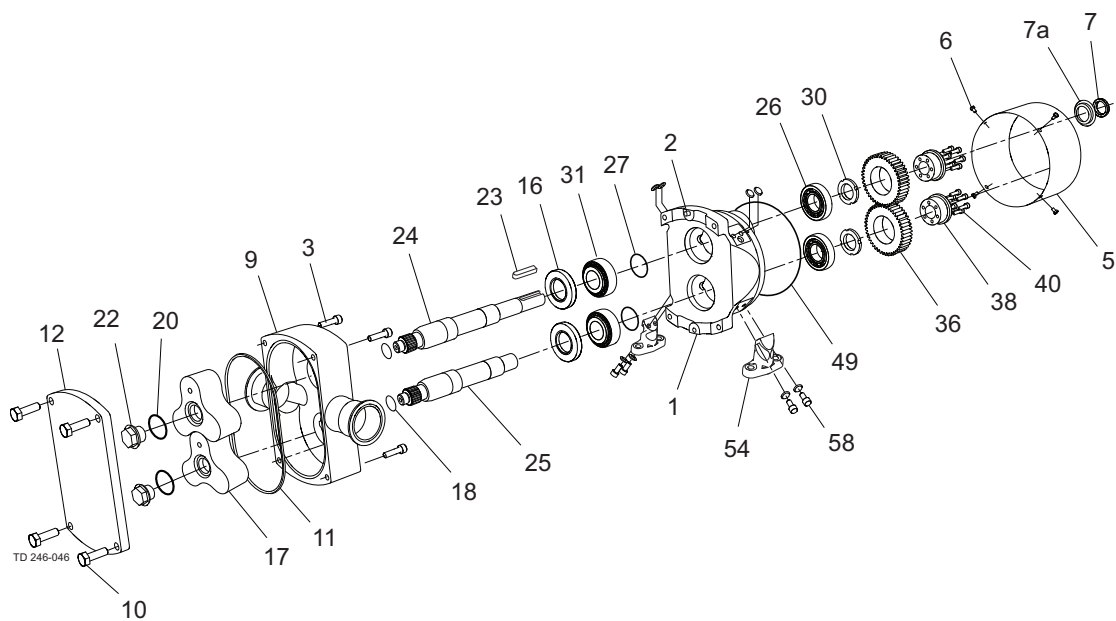
Pos	Qty	Denomination	Article No. OptiLobe 12	Article No. OptiLobe 13
1	1	Bearing housing	9630636001	9630636001
2	2	Dowel	9630030093	9630030093
3	4	Screw, rotorcase retention	9630024635	9630024635
5	1	Canister	9630637001	9630637001
6	4	Screw, canister screw	9630863216	9630863216
	4	Washer, canister screw	9630038040	9630038040
7	1	Lip seal, drive end	9630030621	9630030621
7a	1	Carrier, lip seal	9630633001	9630633001
9	1	Rotorcase, IDF	9630623001	9630623101
	1	Rotorcase, Tri-Clamp	9630623002	9630623102
	1	Rotorcase, SMS	9630623003	9630623103
	1	Rotorcase, DIN 11851	9630623004	9630623104
	1	Rotorcase, RJT	9630623005	9630623105
10	1	Screw, rotorcase cover	9630652769	9630652769
11	▲●	O-ring, cover EPDM	9630037180	9630037180
	▲●	O-ring, cover FPM	9630037183	9630037183
12	1	Cover, rotorcase	9630639501	9630639501
	1	Cover, Rotorcase Without Heating Pipes	9630639502	9630639502
16	1	Lip seal, gland end, NBR	9630644501	9630644501
17	2	Rotor, Trilobe Stainless Steel 8 bar, 130°C	9630630001	9630630101
18	▲●	O-ring, rotor sealing shaft end, EPDM	9630671081	9630671081
	▲●	O-ring, rotor sealing shaft end, FPM	9630043563	9630043563
20	▲●	O-ring, rotor sealing nut end, EPDM	9630019402	9630019402
	▲●	O-ring, rotor sealing nut end, FPM	9630023410	9630023410
22	2	Nut, rotor retention	9630641001	9630641101
23	1	Key	9630031498	9630031498
24	1	Shaft, drive	9630638501	9630638501
25	1	Shaft, auxiliary	9630639001	9630639001
26	2	Bearing, rear	9630098863	9630098863
27	2	Shim, shaft abutment, 0.050	9630642515	9630642505
	2	Shim, shaft abutment, 0.075	9630642517	9630642517
	2	Shim, shaft abutment, 0.100	9630642520	9630642520
30	2	Nut, bearing	9630029135	9630029135
31	2	Bearing, front	9630098862	9630098862
36	2	Timing gear	9630640001	9630640001
38	2	Torque locking assembly	9630640501	9630640501
45	2	Drain plug	9630023544	9630023544
	4	Washer	9630864986	9630864986
49	1	O-ring, canister NBR	9630032237	9630032237
50	2	Gland guard	9630642001	9630642001
51	4	Screw, gland guard	9630863216	9630863216
53	4	Washer, gland guard	9630864986	9630864986
54	2	Foot	9630638001	9630638001
58	4	Screw, Foot	9630024603	9630024603
	6	Plugs	9630652310	9630652310
	8	Plugs	9630652311	9630652311
102	□●	Rotary Seal O-ring, EPDM	9630023528	9630023528
	□●	Rotary Seal O-ring, FPM	9630023413	9630023413
103	□●	L' Cup Seal, EPDM	9630671103	9630671103
	□●	L' Cup Seal, FPM	9630671104	9630671104
105	□●	Rotary Seal Ring, Carbon	9630671099	9630671099
	□●	Rotary Seal Ring, Silicon Carbide	9630671100	9630671100
107	□●	Stationary Seal Ring, Stainless Steel	9630671101	9630671101
	□●	Stationary Seal Ring, Silicon Carbide	9630671102	9630671102
12	1	Heating Pipe	9630647001	9630647001
	1	Elbow	9630674621	9630674621
	1	Heating Pipe Assembly	9630648001	9630648001
	1	Cover, Rotorcase With Heating Pipes	9630647501	9630647501

(900723/1)



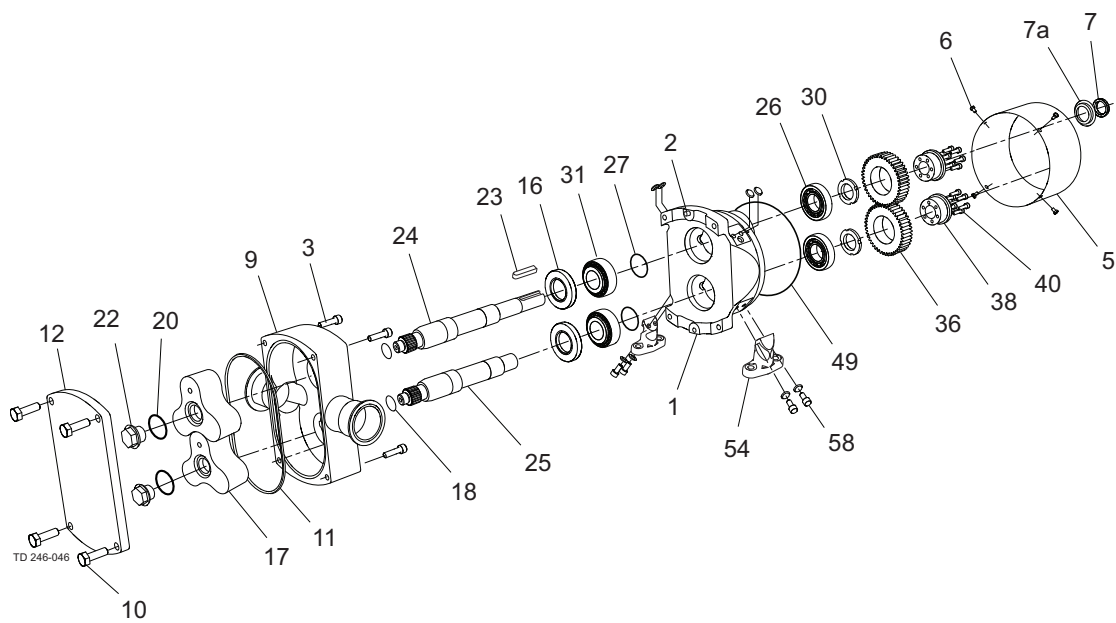
Pos	Qty	Denomination	Article No.	Article No.
			OptiLobe 22	OptiLobe 23
1	1	Bearing housing	9630636101	9630636101
2	2	Dowel	9630030093	9630030093
3	4	Screw, rotorcase retention	9630037029	9630037029
5	1	Canister	9630637101	9630637101
6	4	Washer, canister screw	9630863216	9630863216
	4	Washer, canister screw	9630038040	9630038040
7	1	Lip seal,, drive end	9630644507	9630644507
7A	1	Carrier, lip seal	9630633201	9630633201
9	1	Rotorcase, IDF	9630623201	9630623301
	1	Rotorcase, Tri-Clamp	9630623202	9630623302
	1	Rotorcase, SMS	9630623203	9630623303
	1	Rotorcase, DIN 11851	9630623204	9630623304
	1	Rotorcase, RJT	9630623205	9630623305
10	4	Screw, rotorcase cover	9630024554	9630024554
11	▲●	O-ring, cover EPDM	9630044928	9630044928
	▲●	O-ring, cover FPM	9630044927	9630044927
12	1	Cover, rotorcase	9630639601	9630639601
	1	Cover, Rotorcase with Heating	9630639602	9630639602
16	2	Lip seal, gland end, NBR	9630644502	9630644502
17	2	Rotor, Trilobe Stainless Steel 8 bar, 130°C	9630630201	9630630301
18	▲●	O-ring, rotor sealing shaft end, EPDM	9630863409	9630863409
	▲●	O-ring, rotor sealing shaft end, FPM	9630023407	9630023407
20	▲●	O-ring, rotor sealing nut end, EPDM	9630019387	9630019387
	▲●	O-ring, rotor sealing nut end, FPM	9630019388	9630019388
22	2	Nut, rotor retention	9630641401	9630641501
23	1	Key	9630023916	9630023916
24	1	Shaft, drive	9630638601	9630638601
25	1	Shaft, auxiliary	9630639101	9630639101
26	2	Bearing, rear	9630861678	9630861678
27	2	Shim, shaft abutment, 0.050	9630642525	9630642525
	2	Shim, shaft abutment, 0.075	9630642527	9630642527
	2	Shim, shaft abutment, 0.100	9630642530	9630642530
30	2	Nut, bearing	9630056683	9630056683
31	2	Bearing, front	9630861679	9630861679
36	2	Timing gear	9630640101	9630640101
38	2	Torque locking assembly	9630640601	9630640601
45	2	Drain plug	9630023544	9630023544
	4	Washer	9630864986	9630864986
49	1	O-ring, canister NBR	9630039204	9630039204
50	2	Gland guard	9630642101	9630642102
51	4	Screw, gland guard	9630865138	9630865138
53	4	Washer, gland guard	9630864986	9630864986
54	2	Foot	9630638101	9630638101
58	4	Screw, Foot	9630028936	9630028936
	2	Blanking plug	9630652310	9630652310
	12	Blanking plug	9630652311	9630652311
102	□●	Rotary Seal O-ring, EPDM	9630863266	9630863266
	□●	Rotary Seal O-ring, FPM	9630863265	9630863265
103	□●	L' Cup Seal, EPDM	9630863279	9630863279
	□●	L' Cup Seal, FPM	9630863278	9630863278
105	□●	Rotary Seal Ring, Carbon	9630863289	9630863289
	□●	Rotary Seal Ring, Silicon Carbide	9630863294	9630863294
107	□●	Stationary Seal Ring, Stainless Steel	9630863295	9630863295
	□●	Stationary Seal Ring, Silicon Carbide	9630863298	9630863298
12	1	Heating Pipe	9630647101	9630647101
	1	Elbow	9630674621	9630674621
	1	Heating Pipe Assembly	9630648101	9630648101
	1	Cover, Rotorcase With Heating Pipes	9630647601	9630647601

(900724/2)



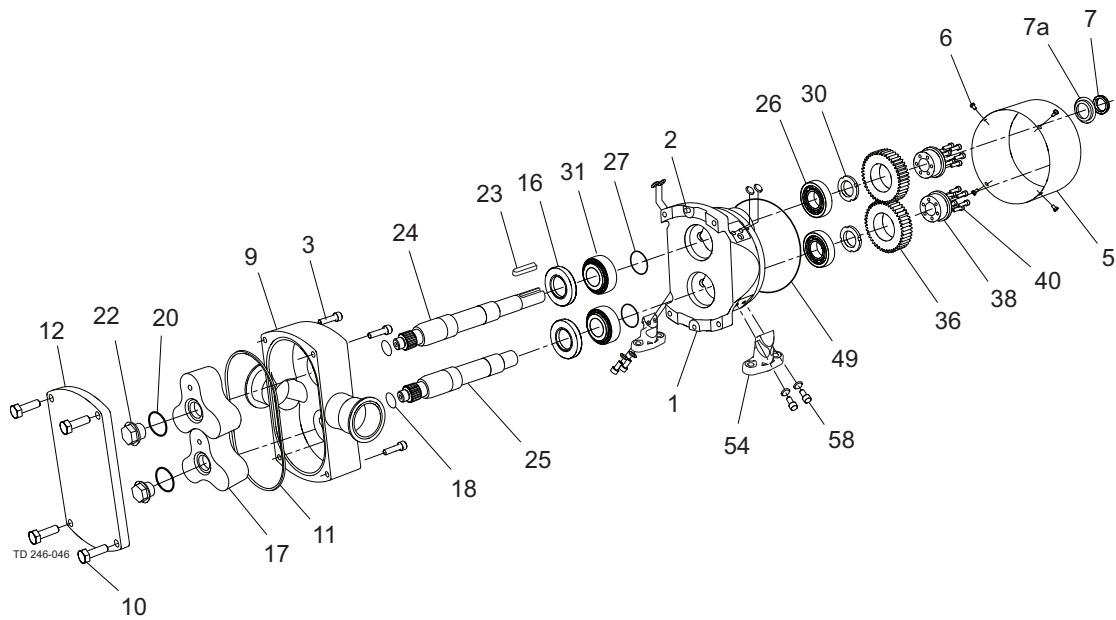
Pos	Qty	Denomination	Article No. OptiLobe 32	Article No. OptiLobe 33
1	1	Bearing housing	9630636201	9630636201
2	2	Dowel	9630030093	9630030093
3	4	Screw, rotorcase retention	9630037029	9630037029
5	1	Canister	9630637201	9630637201
6	4	Screw, canister retention	9630863216	9630863216
	4	Washer, canister screw	9630038040	9630038040
7	1	Lip seal, drive end	9630030622	9630030622
7A	1	Carrier, lip seal	9630633201	9630633201
9	1	Rotorcase, IDF	9630623401	9630623501
	1	Rotorcase, Tri-Clamp	9630623402	9630623502
	1	Rotorcase, SMS	9630623403	9630623503
	1	Rotorcase, DIN 11851	9630623404	9630623504
	1	Rotorcase, RJT	9630623405	9630623505
10	4	Screw, rotorcase cover	9630024554	9630024554
11	▲●	O-ring - cover, EPDM	9630065133	9630065133
	▲●	O-ring - cover, FPM	9630865829	9630865829
12	1	Cover, rotorcase	9630639701	9630639701
	1	Cover, Rotorcase with Heating	9630639702	9630639702
16	2	Lip seal, gland end, NBR	9630644503	9630644503
17	2	Rotor, Trilobe Stainless Steel, 8 bar, 130°C	9630630401	9630630501
18	▲●	O-ring, rotor sealing shaft end, EPDM	9630861549	9630861549
	▲●	O-ring, rotor sealing shaft end, FPM	9630023407	9630023407
20	▲●	O-ring, rotor sealing nut end, FPM	9630019387	9630019387
	2	O-ring, rotor sealing nut end, EPDM	9630019388	9630019388
22	2	Nut, rotor retention, 32	9630641401	9630641501
23	1	Key	9630031499	9630031499
24	1	Shaft, drive	9630638701	9630638701
25	1	Shaft, auxiliary	9630639201	9630639201
26	2	Bearing, rear	9630862428	9630862428
27	2	Shim, shaft abutment, 0.050	9630642535	9630642535
	2	Shim, shaft abutment, 0.075	9630642537	9630642537
	2	Shim, shaft abutment, 0.100	9630642540	9630642540
30	2	Nut, bearing	9630029136	9630029136
31	2	Bearing, front	9630862429	9630862429
36	2	Timing gear	9630640201	9630640201
38	2	Torque locking assembly	9630640701	9630640701
45	2	Drain plug	9630023544	9630023544
	2	Washer	9630864986	9630864986
49	1	O-ring, canister NBR	9630880191	9630880191
50	2	Gland guard	9630642201	9630642202
51	4	Screw, gland guard	9630865138	9630865138
53	4	Washer, gland guard	9630864986	9630864986
54	2	Foot	9630638201	9630638201
58	4	Screw, Foot	9630028936	9630028936
	2	Plug	9630652310	9630652310
	12	Plug	9630652311	9630652311
102	□●	Rotary Seal O-ring, EPDM	9630863270	9630863270
	□●	Rotary Seal O-ring, FPM	9630863269	9630863269
103	□●	L' Cup Seal, EPDM	9630863283	9630863283
	□●	L' Cup Seal, FPM	9630863282	9630863282
105	□●	Rotary Seal Ring, Carbon	9630863290	9630863290
	□●	Rotary Seal Ring, Silicon Carbide	9630863293	9630863293
107	□●	Stationary Seal Ring, Stainless Steel	9630863296	9630863296
	□●	Stationary Seal Ring, Silicon Carbide	9630863299	9630863299
12	1	Heating Pipe	9630647201	9630647201
	1	Elbow	9630674621	9630674621
	1	Heating Pipe Assembly	9630648201	9630648201
	1	Cover, Rotorcase With Heating Pipes	9630647701	9630647701

(900725/2)



Pos	Qty	Denomination	Article No.	Article No.
			OptiLobe 42	OptiLobe 43
1	1	Bearing housing	9630636301	9630636301
2	2	Dowel	9630030093	9630030093
3	4	Screw, rotorcase retention	9630027137	9630027137
5	1	Canister	9630637301	9630637301
6	4	Screw, canister retention	9630863216	9630863216
	4	Washer, canister screw	9630038040	9630038040
7	1	Lip seal, drive end	9630644509	9630644509
7A	1	Carrier, lip seal	9630633301	9630633301
9	1	Rotorcase, IDF	9630623601	9630623701
	1	Rotorcase, Tri-Clamp	9630623602	9630623702
	1	Rotorcase, SMS	9630623603	9630623703
	1	Rotorcase, DIN 11851	9630623604	9630623704
	1	Rotorcase, RJT	9630623605	9630623705
10	4	Screw, rotorcase cover	9630024554	9630024554
11	▲▲	1 O-ring - cover, EPDM	9630019861	9630019861
	▲▲	1 O-ring - cover, FPM	9630026117	9630026117
12	1	Cover, rotorcase	9630639801	9630639801
	1	Cover, Rotorcase with Heating	9630639802	9630639802
16	2	Lip seal, gland end, NBR	9630644504	9630644504
17	2	Rotor, Trilobe Stainless Steel, 8 bar, 130°C	9630630601	9630630701
18	▲▲	2 O-ring, rotor sealing shaft end, EPDM	9630037138	9630037138
	▲▲	2 O-ring, rotor sealing shaft end, FPM	9630037140	9630037140
20	▲▲	2 O-ring, rotor sealing nut end, EPDM	9630028321	9630028321
	▲▲	2 O-ring, rotor sealing nut end, FPM	9630028357	9630028357
22	2	Nut, rotor retention	9630641601	
23	1	Key	9630031499	9630031499
24	1	Shaft, drive	9630638801	9630638801
25	1	Shaft, auxiliary	9630639301	9630639301
26	2	Bearing, rear	9630862089	9630862089
27	2	Shim, shaft abutment, 0.050	9630642545	9630642545
	2	Shim, shaft abutment, 0.075	9630642547	9630642547
	2	Shim, shaft abutment, 0.100	9630642550	9630642550
30	2	Nut, bearing	9630056684	9630056684
31	2	Bearing, front	9630862088	9630862088
36	2	Timing gear	9630640301	9630640301
38	2	Torque locking assembly	9630640801	9630640801
45	2	Drain plug	9630023544	9630023544
	4	Washer	9630864986	9630864986
49	1	O-ring, canister NBR	9630880214	9630880214
50	2	Gland guard	9630642301	9630642302
51	4	Screw, gland guard	9630865138	9630865138
53	4	Washer, gland guard	9630864986	9630864986
54	2	Foot	9630638301	9630638301
58	4	Screw, Foot	9630024635	9630024635
	4	Plug	9630652310	9630652310
	2	Plug	9630652311	9630652311
	2	Plug	9630652312	9630652312
102	□●	2 Rotary Seal O-ring, EPDM	9630863275	9630863275
	□●	2 Rotary Seal O-ring, FPM	9630863273	9630863273
103	□●	2 L' Cup Seal, EPDM	9630863287	9630863287
	□●	2 L' Cup Seal, FPM	9630863286	9630863286
105	□●	2 Rotary Seal Ring, Carbon	9630863291	9630863291
	□●	2 Rotary Seal Ring, Silicon Carbide	9630863292	9630863292
107	□●	2 Stationary Seal Ring, Stainless Steel	9630863297	9630863297
	□●	2 Stationary Seal Ring, Silicon Carbide	9630863300	9630863300
12	1	Heating Pipe	9630647301	9630647301
	1	Elbow	9630674622	9630674622
	1	Heating Pipe Assembly	9630648301	9630648301
	1	Cover, Rotorcase With Heating Pipes	9630647801	9630647801

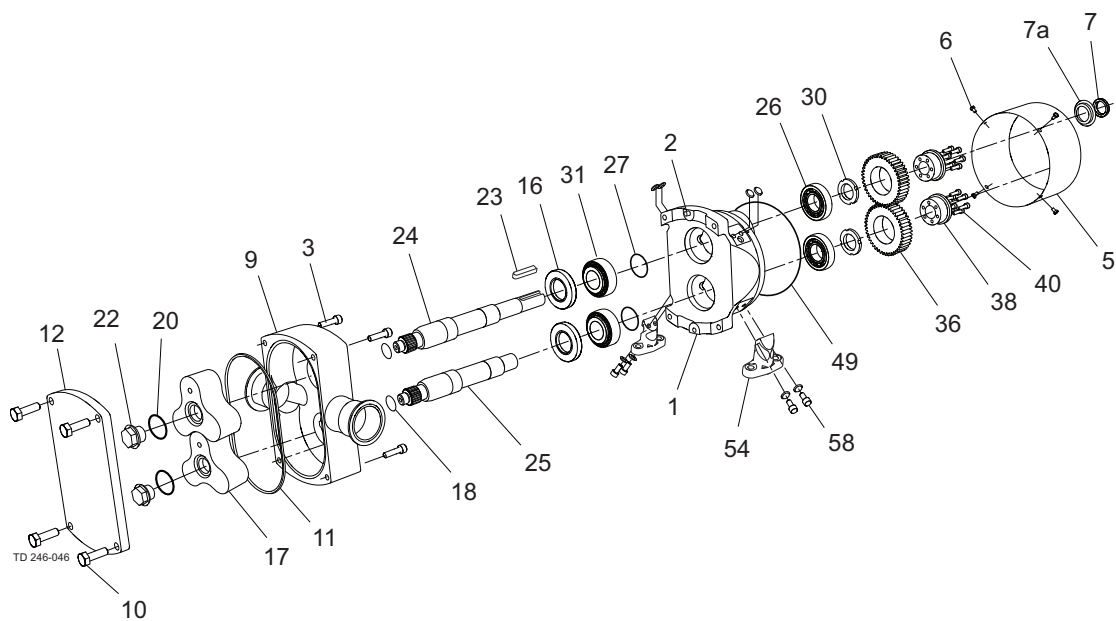
(900726/1)



Pos	Qty	Denomination	Article No.	Article No.
			OptiLobe 52	OptiLobe 53
1	1	Bearing housing	9630636401	9630636401
2	2	Dowel	9630030093	9630030093
3	4	Screw, rotorcase retention	9630671882	9630671882
5	1	Canister	9630637401	9630637401
6	4	Screw, canister retention	9630671881	9630671881
	8	Washer, canister screw	9630042149	9630042149
	4	Washer, canister screw	9630038040	9630038040
	4	Washer, canister screw	9630042149	9630042149
	4	Washer, canister screw	9630030121	9630030121
7	1	Lip seal, drive end	9630644510	9630644510
7A	1	Carrier, lip seal	9630633401	9630633401
9	1	Rotorcase, IDF	9630623801	9630623901
	1	Rotorcase, Tri-Clamp	9630623802	9630623902
	1	Rotorcase, SMS	9630623803	9630623903
	1	Rotorcase, DIN 11851	9630623804	9630623904
	1	Rotorcase, RJT	9630623805	9630623905
10	4	Screw, rotorcase cover	9630024567	9630024567
11	▲●	1 O-ring - cover, EPDM	9630027380	9630027380
	▲●	1 O-ring - cover, FPM	9630028410	9630028410
12	1	Cover, rotorcase	9630639901	9630639901
	1	Rotorcase, with Heating	9630639902	9630639902
16	2	Lip seal, gland end, NBR	9630644505	9630644505
17	2	Rotor, Trilobe Stainless Steel 8 bar, 130°C	9630630801	9630630901
18	▲●	2 O-ring, rotor sealing shaft end, EPDM	9630039199	9630039199
	▲●	2 O-ring, rotor sealing shaft end, FPM	9630039198	9630039198
20	▲●	2 O-ring, rotor sealing nut end, EPDM	9630671547	9630671547
	▲●	2 O-ring, rotor sealing nut end, FPM	9630023438	9630023438
22	2	Nut, rotor retention	9630641801	9630641901
23	1	Key	9630023940	9630023940
24	1	Shaft, drive	9630638901	9630638901
25	1	Shaft, auxiliary	9630639401	9630639401
26	2	Bearing, rear	9630671230	9630671230
27	2	Shim, shaft abutment, 0.050	9630642555	9630642555
	2	Shim, shaft abutment, 0.075	9630642557	9630642557
	2	Shim, shaft abutment, 0.100	9630642560	9630642560
30	2	Nut, bearing	9630671231	9630671231
31	2	Bearing, front	9630671229	9630671229
36	2	Timing gear	9630640401	9630640401
38	2	Torque locking assembly	9630640901	9630640901
45	2	Drain plug	9630023544	9630023544
	4	Washer	9630864986	9630864986
49	1	O-ring, canister NBR	9630671817	9630671817
50	2	Gland guard	9630642401	9630642402
51	4	Screw, gland guard	9630865138	9630865138
53	4	Washer, gland guard	9630864986	9630864986
54	2	Foot	9630638401	9630638401
58	4	Screw, Foot	9630671881	9630671881
	6	Plugs	9630652310	9630652310
	12	Plugs	9630678031	9630678031
102	□●	8 Rotary Seal O-ring, EPDM	9630042801	9630042801
	□●	12 Rotary Seal O-ring, FPM	9630042800	9630042800
103	□●	2 L' Cup Seal, EPDM	9630671117	9630671117
	□●	2 L' Cup Seal, FPM	9630671118	9630671118
105	□●	2 Rotary Seal Ring, Carbon	9630671113	9630671113
	□●	2 Rotary Seal Ring, Silicon Carbide	9630671114	9630671114
107	□●	2 Stationary Seal Ring, Stainless Steel	9630671115	9630671115
	□●	2 Stationary Seal Ring, Silicon Carbide	9630671116	9630671116
12	1	Heating Pipe	9630647401	9630647401
	1	Elbow	9630674622	9630674622
	1	Heating Pipe Assembly	9630648401	9630648401
	1	Cover, Rotorcase With Heating Pipes	9630647901	9630647901

(900727/1)

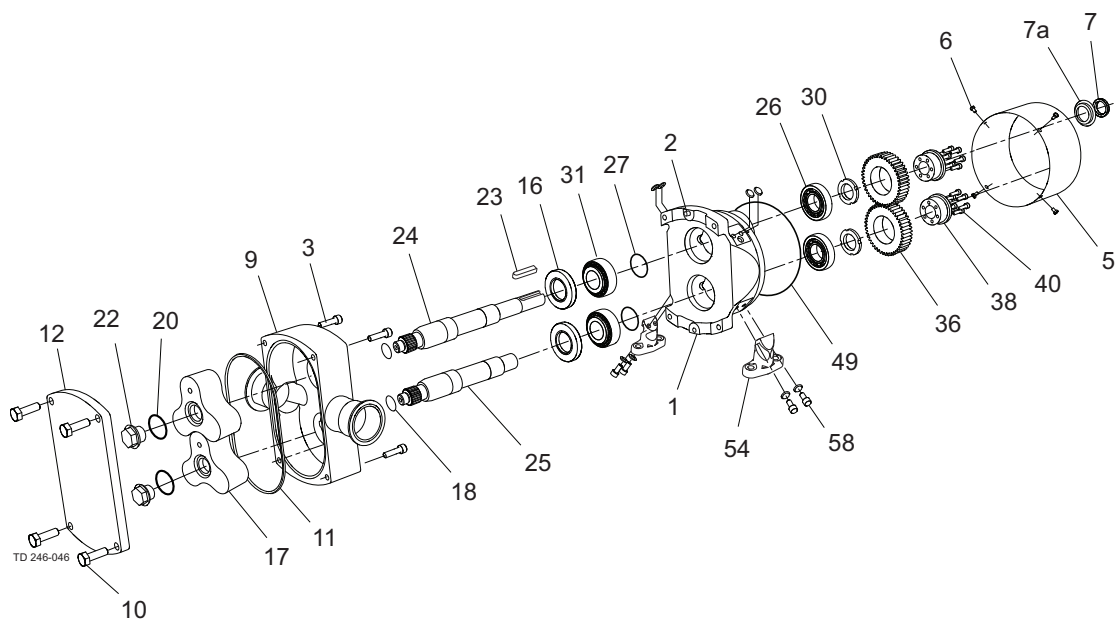
Pump Exploded View Drawing



Pump Exploded View Drawing

Each kit for pump comprises of ;
 1 off Rotorcase Cover O-Rings (11)
 2 off Rotor O-Rings, shaft end (18)
 2 off Rotor O-Rings, nut end (20)

Pos	Qty	Denomination	Article No.
12 / 13			
Δ	1	Cover / Spline Kit EPDM	9630672400
Δ	1	Cover / Spline Kit FPM	9630672401
22 / 23			
Δ	1	Cover / Spline Kit EPDM	9630864748
Δ	1	Cover / Spline Kit FPM	9630864749
32 / 33			
Δ	1	Cover / Spline Kit EPDM	9630864750
Δ	1	Cover / Spline Kit FPM	9630864751
42 / 43			
Δ	1	Cover / Spline Kit EPDM	9630864752
Δ	1	Cover / Spline Kit FPM	9630864753
52 / 53			
Δ	1	Cover / Spline Kit EPDM	9630672402
Δ	1	Cover / Spline Kit FPM	9630672403



Pos	Qty Denomination	Article No.
-----	------------------	-------------

Rotary Seal / Stationary Seal Ring

Each kit for pump comprises of ;

- 1 off Cover / Spline Sealing Kit
- 2 off wave springs (101)
- 2 off Rotary Seal O-rings (102)
- 2 off 'L' Cup Seals (103)
- 2 off Rotary Seal Drive Rings (104)
- 2 off Rotary Seal Rings (105)
- 2 off Stationary Seal Drive Rings (106)
- 2 off Rotary Seal O-rings (102)
- 2 off Stationary Seal Rings (107)

..... Service kit

- Carbon / Stainless Steel, EPDM 9630672404
- Carbon / Stainless Steel, FPM 9630672407
- Carbon / Silicon Carbide, EPDM 9630672406
- Carbon / Silicon Carbide, FPM 9630672409
- Silicon Carbide / Silicon Carbide, EPDM 9630672405
- Silicon Carbide / Silicon Carbide, FPM 9630672408

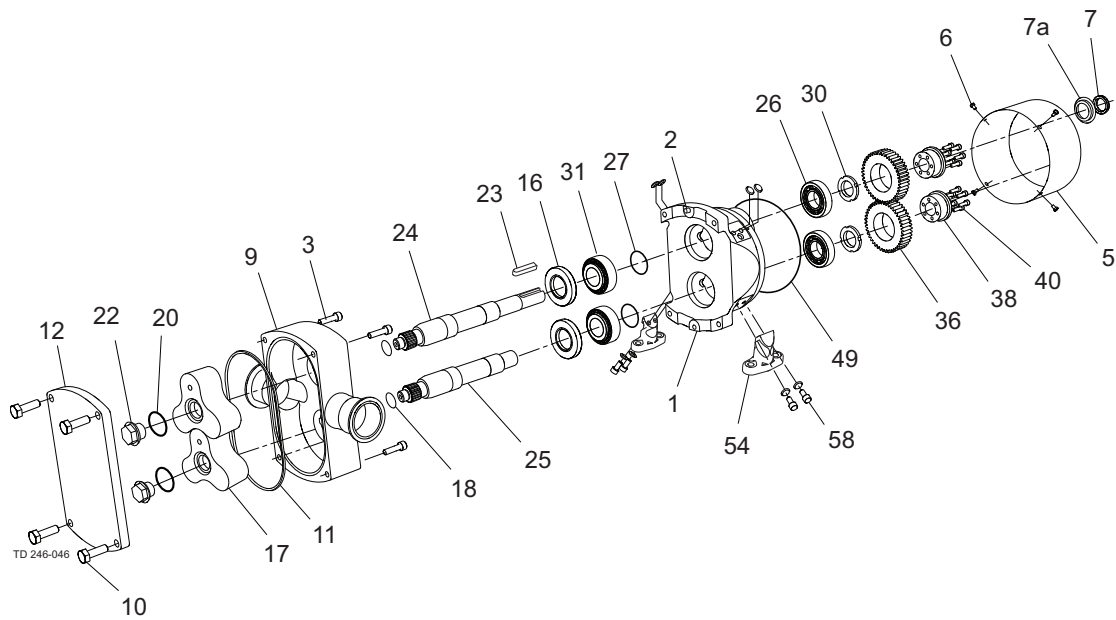
- 2 EasyFit Seal Carbon / Stainless Steel EPDM 9630672416
- 2 EasyFit Seal Carbon / Stainless Steel FPM 9630672417
- 2 EasyFit Seal Silicon Carbide / Silicon Carbide EPDM 9630672420
- 2 EasyFit Seal Silicon Carbide / Silicon Carbide FPM 9630672421
- 2 EasyFit Seal Carbon / Silicon Carbide EPDM 9630672418
- 2 EasyFit Seal Carbon / Silicon Carbide FPM 9630672419

Additional parts to convert pump fitted with Easy Fit signal seals to Easy Fit single flushed seals

- 1 Flushed Seal Conversion Kit BSPT 9630672673

Conversion Kits comprising of :-

- 108 2 HOUSING SEAL, BSPT 9630644001
- 109 4 Stud SS / Screw SS, BSPT 9630682956
- 110 4 WASHER PLAIN SS, BSPT
- 111 2 SEAL LIP FPM, BSPT 9630644601
- 112 2 O RING FPM, BSPT 9630070327
- 4 NUT HEX SS, BSPT
- 2 FLUSHING TUBE, BSPT 9630045921



Pos	Qty	Denomination	Article No.
-----	-----	--------------	-------------

Rotary Seal / Stationary Seal Ring

Each kit for pump comprises of ;

- 1 off Cover / Spline Sealing Kit
- 2 off wave springs (101)
- 2 off Rotary Seal O-rings (102)
- 2 off 'L' Cup Seals (103)
- 2 off Rotary Seal Drive Rings (104)
- 2 off Rotary Seal Rings (105)
- 2 off Stationary Seal Drive Rings (106)
- 2 off Rotary Seal O-rings (102)
- 2 off Stationary Seal Rings (107)

..... Service kit

- Carbon / Stainless Steel, EPDM 9630864754
- Carbon / Stainless Steel, FPM 9630864755
- Carbon / Silicon Carbide, EPDM 9630864758
- Carbon / Silicon Carbide, FPM 9630864759
- Silicon Carbide / Silicon Carbide, EPDM 9630864756
- Silicon Carbide / Silicon Carbide, FPM 9630864757

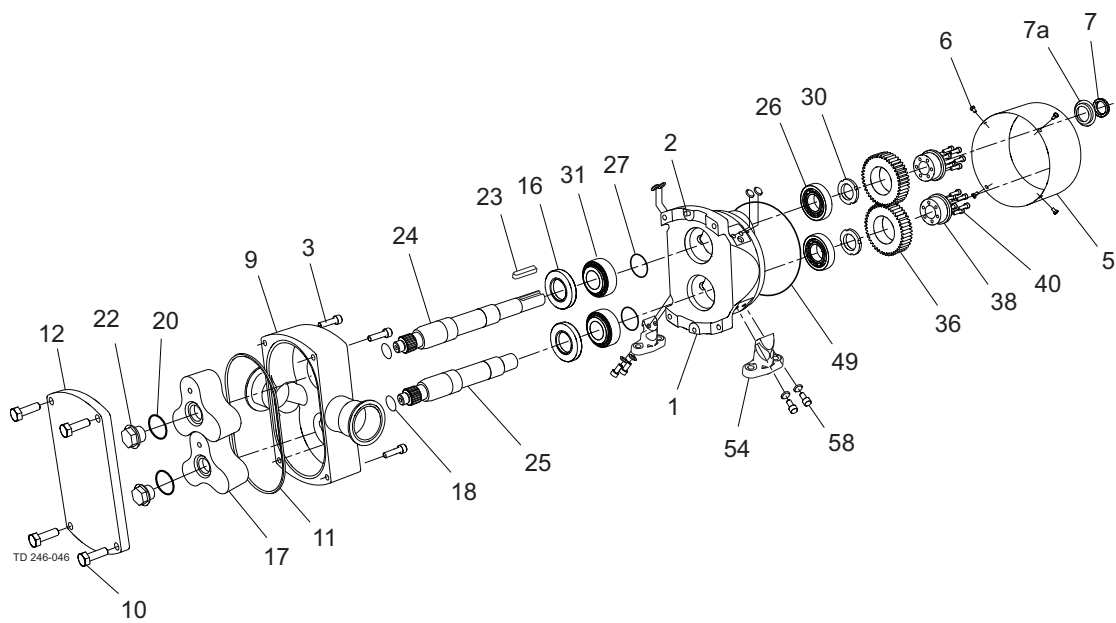
- 2 EasyFit Seal Carbon / Stainless Steel EPDM 9630865978
- 2 EasyFit Seal Carbon / Stainless Steel FPM 9630865979
- 2 EasyFit Seal Carbon / Silicon Carbide EPDM 9630865980
- 2 EasyFit Seal Carbon / Silicon Carbide FPM 9630865981
- 2 EasyFit Seal Silicon Carbide / Silicon Carbide EPDM 9630864732
- 2 EasyFit Seal Silicon Carbide / Silicon Carbide FPM 9630865982

Additional parts to convert pump fitted with Easy Fit signal seals to Easy Fit single flushed seals

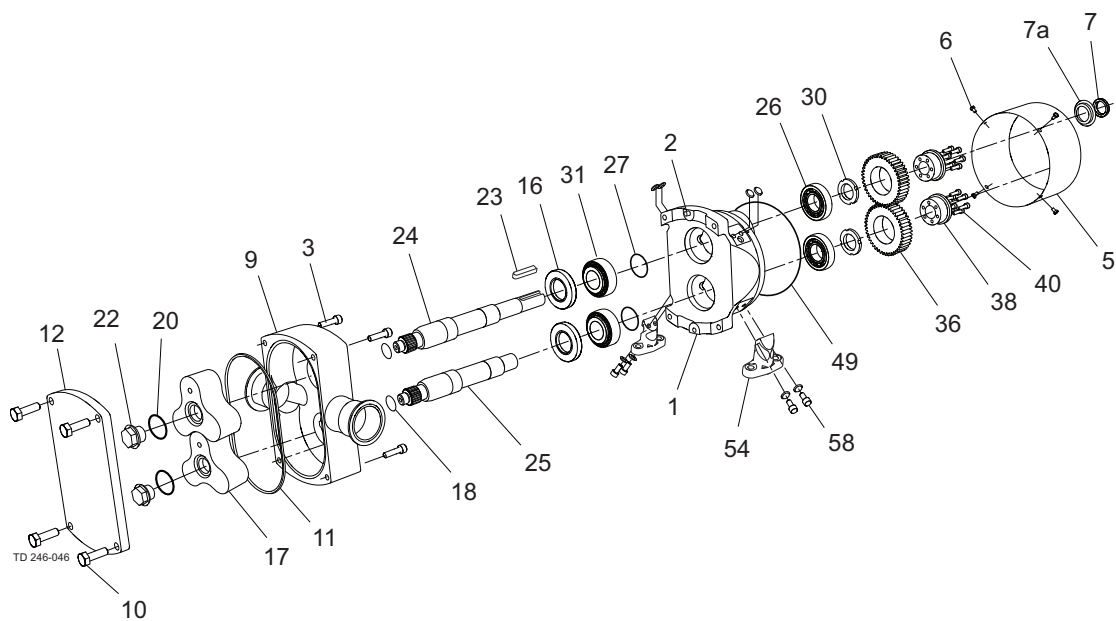
- 1 Flushed Seal Conversion Kit BSPT 9630863511

Conversion Kits comprising of :-

- 108 2 HOUSING SEAL, BSPT 9630644101
- 109 4 STUD SS, BSPT 9630863464
- 110 4 WASHER PLAIN SS, BSPT 9630030121
- 111 2 SEAL LIP FPM, BSPT 9630644710
- 112 2 O RING FPM, BSPT 9630037153
- 4 NUT HEX SS, BSPT 9630024061
- 2 FLUSHING TUBE BSPT, BSPT 9630036833



Pos	Qty	Denomination	Article No.
Rotary Seal / Stationary Seal Ring			
Each kit for pump comprises of ;			
	1	off Cover / Spline Sealing Kit	
	2	off wave springs (101)	
	2	off Rotary Seal O-rings (102)	
	2	off 'L' Cup Seals (103)	
	2	off Rotary Seal Drive Rings (104)	
	2	off Rotary Seal Rings (105)	
	2	off Stationary Seal Drive Rings (106)	
	2	off Stationary Seal Rings (107)	
	 Service kit	
	•	Carbon / Stainless Steel, EPDM	9630864760
	•	Carbon / Stainless Steel, FPM	9630864761
	•	Carbon / Silicon Carbide, EPDM	9630864764
	•	Carbon / Silicon Carbide, FPM	9630864765
	•	Silicon Carbide / Silicon Carbide, EPDM	9630864762
	•	Silicon Carbide / Silicon Carbide, FPM	9630864763
	□	2 EasyFit Seal Carbon / Stainless Steel EPDM	9630864736
	□	2 EasyFit Seal Carbon / Stainless Steel FPM	9630865989
	□	2 EasyFit Seal Carbon / Silicon Carbide EPDM	9630865990
	□	2 EasyFit Seal Carbon / Silicon Carbide FPM	9630865991
	□	2 EasyFit Seal Silicon Carbide / Silicon Carbide EPDM	9630864738
	□	2 EasyFit Seal Silicon Carbide / Silicon Carbide FPM	9630865992
Additional parts to convert pump fitted with Easy Fit signal seals to Easy Fit single flushed seals			
	1	Flushed Seal Conversion Kit BSPT	9630863512
Conversion Kits comprising of: -			
108	2	HOUSING SEAL, BSPT	9630644201
109	4	STUD SS, BSPT	9630863464
110	4	WASHER PLAIN SS, BSPT	9630030121
111	2	SEAL LIP FPM, BSPT	9630644810
112	2	O RING FPM, BSPT	9630037158
	4	NUT HEX SS, BSPT	9630024061
	2	FLUSHING TUBE BSPT, BSPT	9630865786



Pos	Qty Denomination	Article No.
-----	------------------	-------------

Rotary Seal / Stationary Seal Ring

Each kit for pump comprises of ;

- 1 off Cover / Spline Sealing Kit
- 2 off wave springs (101)
- 2 off Rotary Seal O-rings (102)
- 2 off 'L' Cup Seals (103)
- 2 off Rotary Seal Drive Rings (104)
- 2 off Rotary Seal Rings (105)
- 2 off Stationary Seal Drive Rings (106)
- 2 off Stationary Seal Rings (107)

..... Service kit

- Carbon / Stainless Steel, EPDM 9630864766
- Carbon / Stainless Steel, FPM 9630864767
- Carbon / Silicon Carbide, EPDM 9630864770
- Carbon / Silicon Carbide, FPM 9630864771
- Silicon Carbide / Silicon Carbide, EPDM 9630864768
- Silicon Carbide / Silicon Carbide, FPM 9630864769

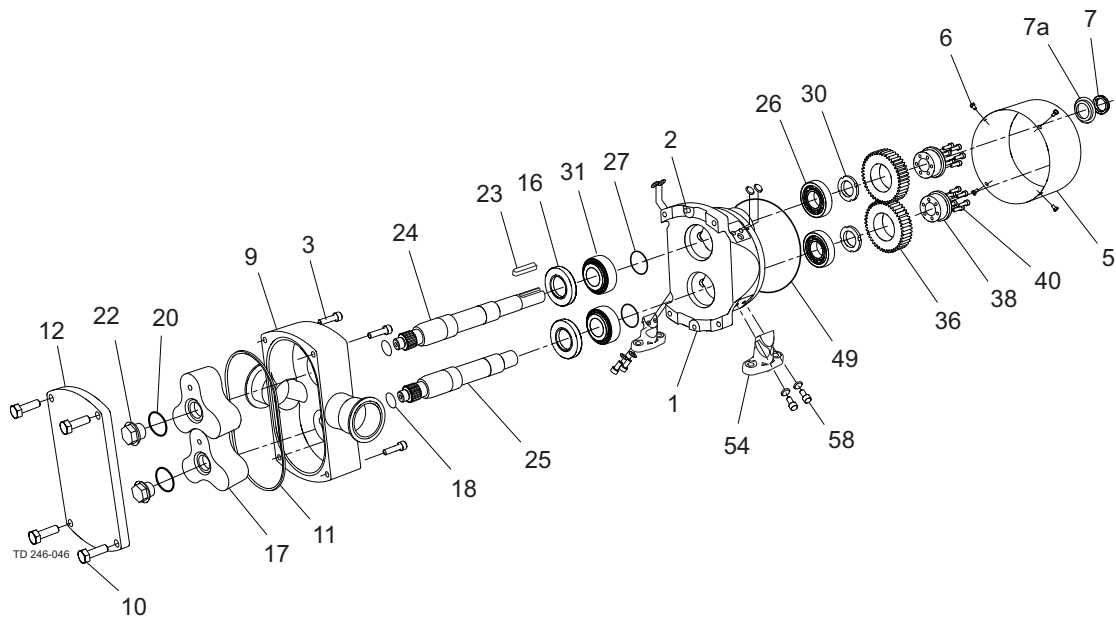
- 2 EasyFit Seal Carbon / Stainless Steel EPDM 9630864742
- 2 EasyFit Seal Carbon / Stainless Steel FPM 9630866002
- 2 EasyFit Seal Carbon / Silicon Carbide EPDM 9630866003
- 2 EasyFit Seal Carbon / Silicon Carbide FPM 9630866004
- 2 EasyFit Seal Silicon Carbide / Silicon Carbide EPDM 9630866005
- 2 EasyFit Seal Silicon Carbide / Silicon Carbide FPM 9630864745

Additional parts to convert pump fitted with Easy Fit signal seals to Easy Fit single flushed seals

- 1 Flushed Seal Conversion Kit BSPT 9630863513

Conversion Kits comprising of :-

- 108 2 HOUSING SEAL, BSPT 9630644202
- 109 4 STUD SS, BSPT 9630863464
- 110 4 WASHER PLAIN SS, BSPT 9630030121
- 111 2 SEAL LIP FPM, BSPT 9630644910
- 112 2 O RING FPM, BSPT 9630925359
- 4 NUT HEX SS, BSPT 9630024061
- 2 FLUSHING TUBE, BSPT 9630865786



Pos	Qty Denomination	Article No.
-----	------------------	-------------

Rotary Seal / Stationary Seal Ring

Each kit for pump comprises of ;

- 1 off Cover / Spline Sealing Kit
- 2 off wave springs (101)
- 2 off Rotary Seal O-rings (102)
- 2 off 'L' Cup Seals (103)
- 2 off Rotary Seal Drive Rings (104)
- 2 off Rotary Seal Rings (105)
- 2 off Stationary Seal Drive Rings (106)
- 2 off Rotary Seal O-rings (102)
- 2 off Stationary Seal Rings (107)

..... Service kit

- Carbon / Stainless Steel, EPDM 9630672410
- Carbon / Stainless Steel, FPM 9630672413
- Carbon / Silicon Carbide, EPDM 9630672412
- Carbon / Silicon Carbide, FPM 9630672415
- Silicon Carbide / Silicon Carbide, EPDM 9630672411
- Silicon Carbide / Silicon Carbide, FPM 9630672414

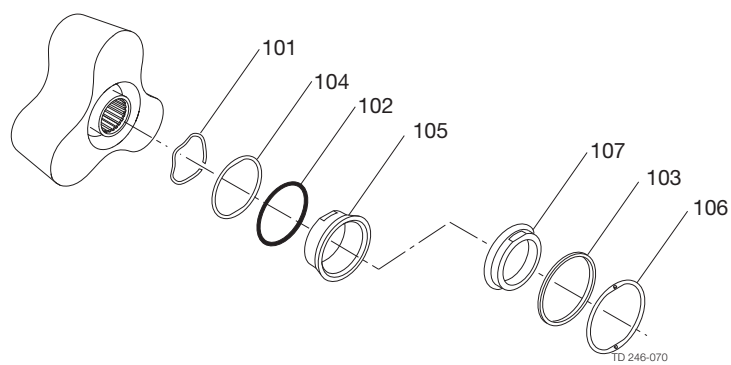
- 2 EasyFit Seal Carbon / Stainless Steel EPDM 9630672422
- 2 EasyFit Seal Carbon / Stainless Steel FPM 9630672423
- 2 EasyFit Seal Carbon / Silicon Carbide EPDM 9630672424
- 2 EasyFit Seal Carbon / Silicon Carbide FPM 9630672425
- 2 EasyFit Seal Silicon Carbide / Silicon Carbide EPDM 9630672426
- 2 EasyFit Seal Silicon Carbide / Silicon Carbide FPM 9630672427

Additional parts to convert pump fitted with Easy Fit signal seals to Easy Fit single flushed seals

- 1 Flushed Seal Conversion Kit BSPT 9630672672

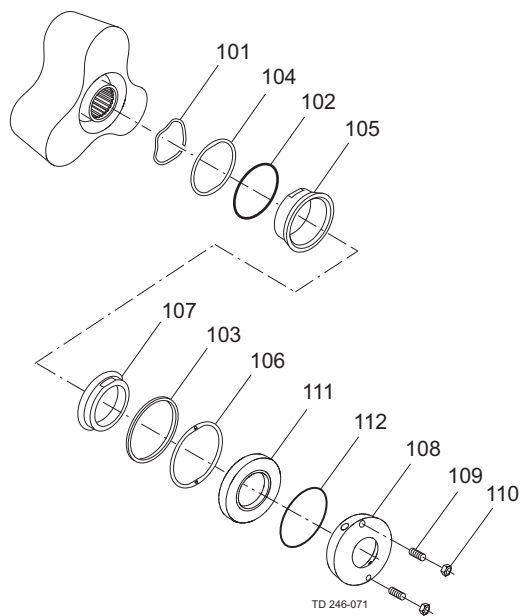
Conversion Kits comprising of :-

- 108 2 HOUSING SEAL, BSPT 9630644401
- 109 4 STUD SS, BSPT 9630062341
- 110 4 WASHER PLAIN SS, BSPT 9630030121
- 111 2 SEAL LIP FPM, BSPT 9630645301
- 112 2 O RING FPM, BSPT 9630673054
- 4 NUT HEX SS, BSPT 9630024061
- 2 FLUSHING TUBE, BSPT 9630036837



EasyFit Single Mechanical Seal

Pos	Qty	Denomination
101	1	Wave Spring
102	1	Rotary Seal O-Ring
103	1	L' Cup Seal
104	1	Rotary Seal Drive Ring
105	1	Rotary Seal Ring
106	1	Stationary Seal Drive Ring
107	1	Stationary Seal Ring



EasyFit Single Flushed Mechanical Seal

Pos	Qty	Denomination
101	1	Wave Spring
102	1	Rotary Seal O-Ring
103	1	L' Cup Seal
104	1	Rotary Seal Drive Ring
105	1	Rotary Seal Ring
106	1	Stationary Seal Drive Ring
107	1	Stationary Seal Ring
108	1	Housing
109	2	Stud
110	2	Nut
111	1	Lip Seal
112	1	Housing O-Ring

How to contact Alfa Laval

Contact details for all countries are continually updated on our website.

Please visit www.alfalaval.com to access the information directly.

© Alfa Laval Corporate AB

This document and its contents is owned by Alfa Laval Corporate AB and protected by laws governing intellectual property and thereto related rights. It is the responsibility of the user of this document to comply with all applicable intellectual property laws. Without limiting any rights related to this document, no part of this document may be copied, reproduced or transmitted in any form or by any means (electronic, mechanical, photocopying, recording, or otherwise), or for any purpose, without the expressed permission of Alfa Laval Corporate AB. Alfa Laval Corporate AB will enforce its rights related to this document to the fullest extent of the law, including the seeking of criminal prosecution.