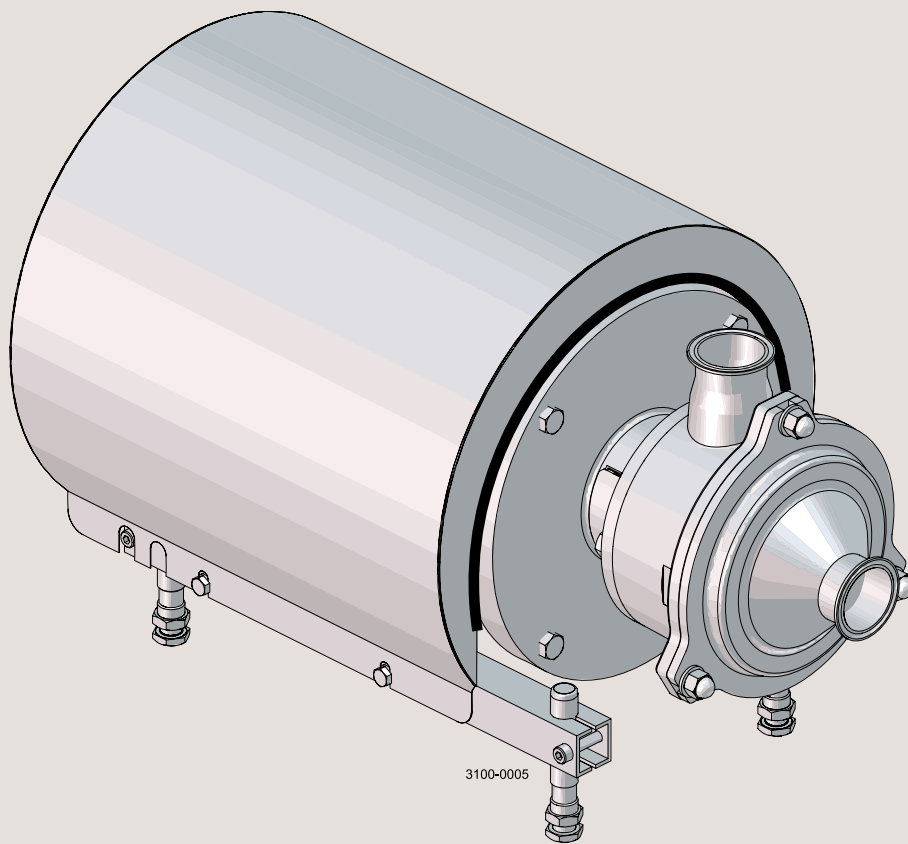




## Spare Parts

MR-166-185-200-300 – Liquid-Ring Pump



ESE00724-EN16 2022-12

Original manual

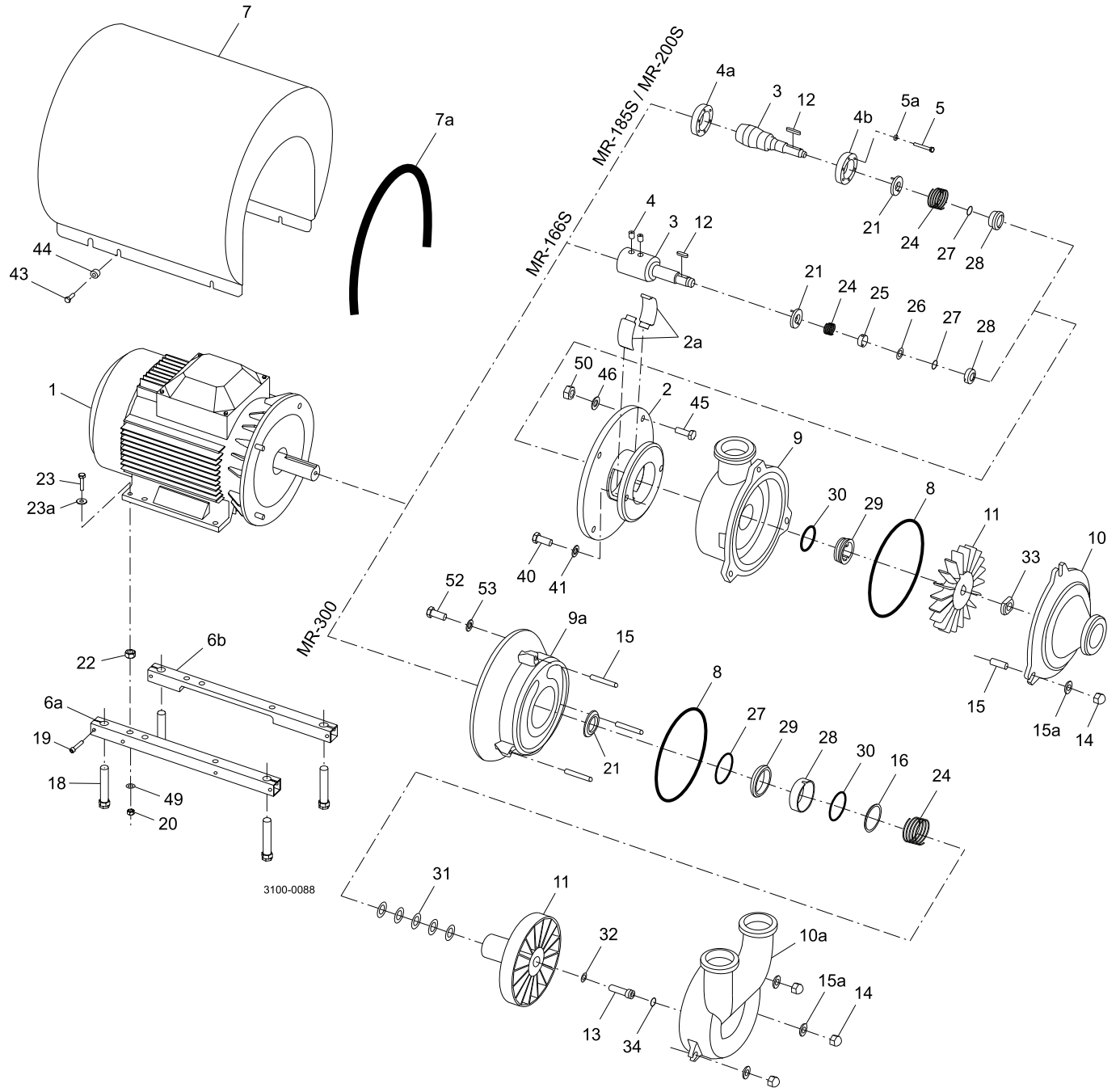


# Table of contents

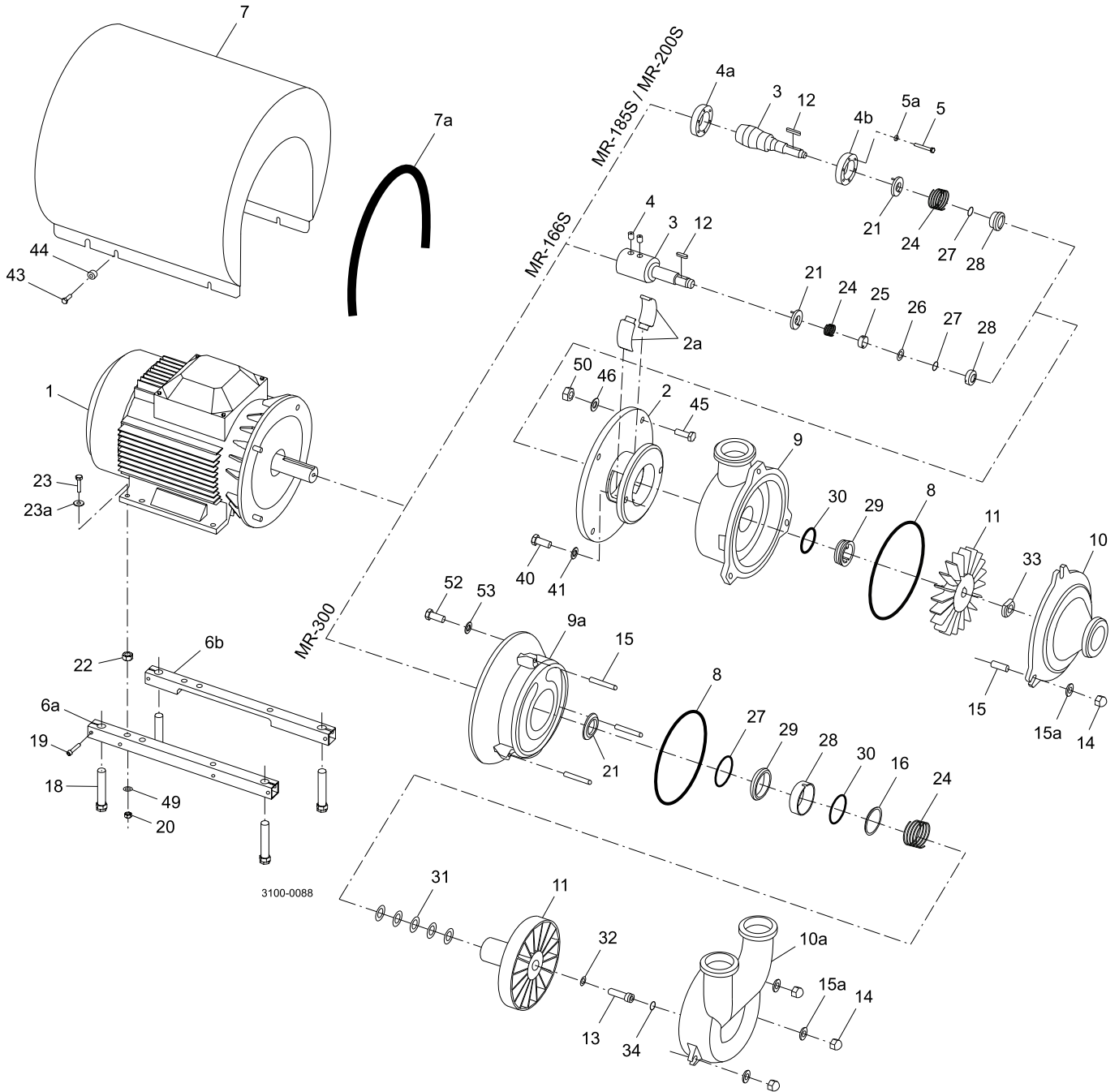
---

*The information herein is correct at the time of issue but may be subject to change without prior notice*

1. MR – Wet end .....	4
2. MR – Motor dependent parts .....	6
3. MR – Shaft seal and service kits .....	8



Pos	Qty	Denomination	Not manufactured anymore					MR-300 IEC160	MR-300 IEC180
			MR-166S IEC100	MR-185S IEC132	MR-200S IEC132	MR-200S IEC160	MR-300 IEC160		
9	1	Pump casing .....							
		Pump casing .....							
		ISO male .....	3143803961	3143803931	3143803931	3143803931			
		SMS .....	3143803962	3143803932	3143803932	3143803932			
		DIN .....		3143803933	3143803933	3143803933			
		ISO clamp .....	3143803964	3143803934	3143803934	3143803934			
		BS .....	3143803965	3143803935	3143803935	3143803935			
9a	1	Pump casing .....					3143803411	3143803411	
10	1	Casing cover .....							
		ISO male .....	3143803951	3143803921	3143803941	3143803941			
		SMS .....	3143803952	3143803922	3143803942	3143803942			
		DIN .....		3143803923	3143803943	3143803943			
		ISO clamp .....	3143803954	3143803924	3143803944	3143803944			
		BS .....	3143803955	3143803925	3143803945	3143803945			
10	1	Casing cover .....							
a		ISO male .....							
		SMS .....					3143803422	3143803422	
		DIN .....					3143803423	3143803423	
		ISO clamp .....							
		BS .....					3143803425	3143803425	
8	□Δ	1 O-ring, EPDM (Standard)							
		1 O-ring, NBR .....							
		1 O-ring, FPM .....							
11	1	Impeller .....	3143801702	3143800341	3143800341	3143800341	3143803441	3143803442	
33	1	Impeller nut .....	3144200131	3143800361	3143800361	3143800361			
13		Impeller screw .....					3143803451	3143803451	
32	1	Washer for impeller screw .....					9611991746	9611991746	
31	1-2	Shims, 0.1 mm .....					3146000124	3146000125	
	4-5	Shims, 0.5 mm .....					3146000114	3146000115	
34	□	1 O-ring, EPDM (Standard)							
		1 O-ring, NBR .....							
		1 O-ring, FPM .....							
14	3	Cap nut .....	22185115	22185115	22185115	22185115	22185115	22185115	
15	3	Stud bolt .....	9611992408	9611992408	9611992408	9611992408	9611992994	9611992994	
15	3	Washer .....	9611990706	9611990706	9611990706	9611990706	9611990706	9611990706	
a									
21	1	Thrower .....	3145200041	3143800451	3143800451	3143800451	3146003752	3146003751	

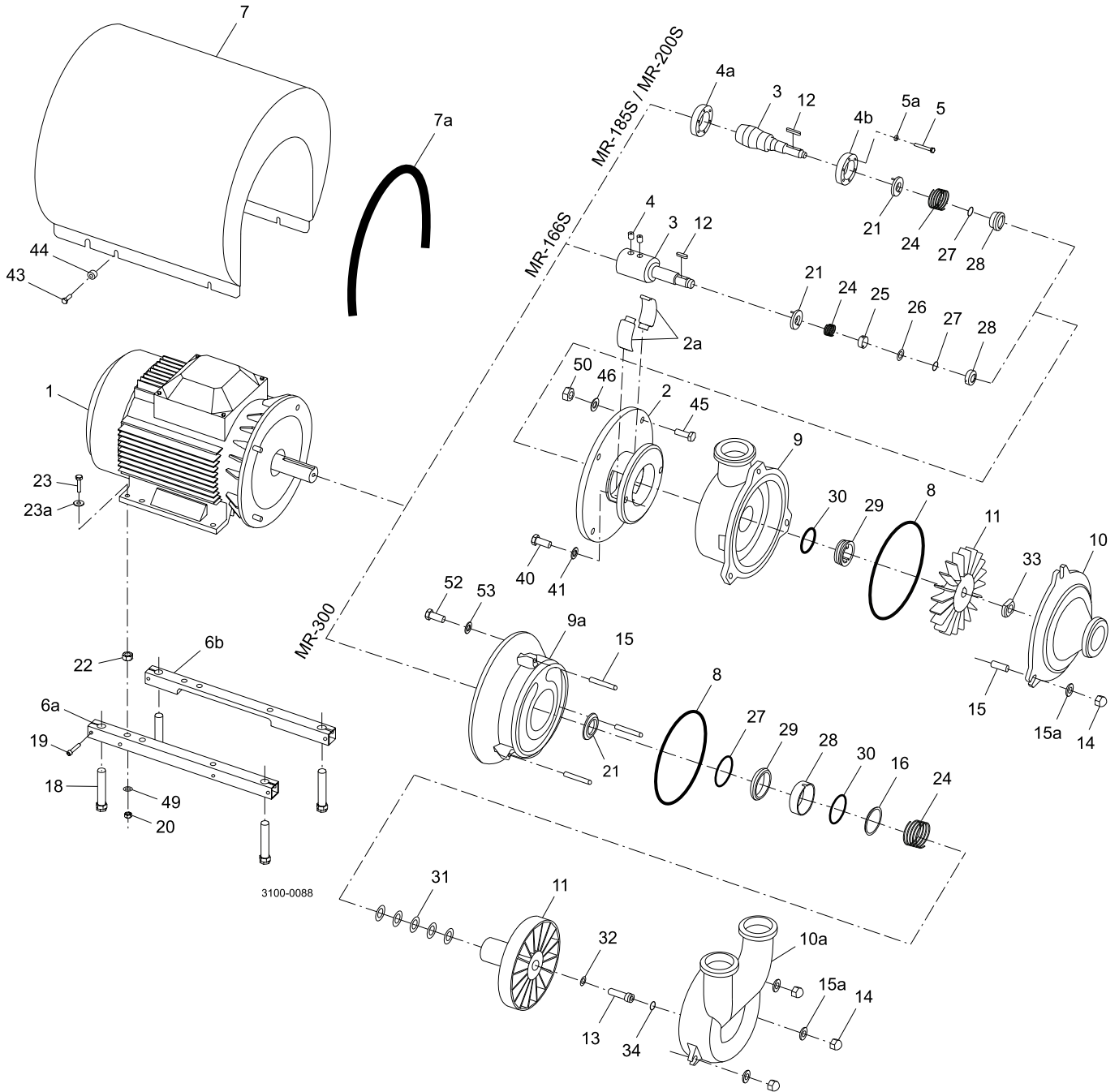


MR – Motor dependent parts

Pos	Qty	Denomination	Not manufactured anymore				
			MR-166S IEC100	MR-185/200S IEC132	MR200S IEC160	MR300 IEC160	MR300 IEC180
2	1	Bracket .....	9613856801	9613857301	9615208701		
2a	2	Bracket cover .....	9612916803	9612916803	9612916803		
3	1	Shaft .....	9612633101	3143802361	9615207301		
12	1	Key .....	190337	190411	190411		
4	2	Screw .....	9612587502				
4a	1	Compression ring .....		9612133705	9612133603		
4b	1	Compression ring .....		9612133605	9612133703		
5	6	Screw .....		9611993197	9611993198		
5a	6	Washer .....		9611993199	9611993199		
7	1	Shroud complete .....	9614192203	9612139008	9612139005	9612139005	9612139006
7a	1	Edge list, (included in pos.5) .....					
6a	1	Support bar, right .....	9612132205	9612132206	9612132203	9612132203	9612132204
6b	1	Support bar, left .....	9612132305	9612132306	9612132303	9612132303	9612132304
18	4	Legs .....	9612396701	9612396701	9612396701	9612396701	9612396701
43	4	Screw .....	9611993240	9611993240	9611993241	9611993241	9611993243
44	4	Distance sleeve .....	9611992737	9611992737	3143803902	3143803902	3143803901
19	4	Screw .....	9611991907	9611991126	9611991126	9611991126	9611991126
20	4	Nut .....	9611990353	9611990353	9611990587	9611990587	9611990587
49	4	Spring washer .....	9611991887	9611991887	9611990676	9611990676	9611990676
22	4	Nut .....	9611990587				
23	4	Screw .....	961199324	9611991911	9611991834	9611991834	9611991834
23a	4	Washer .....	9611990786	9611990786	9611990706	9611990706	9611990706
46	4	Washer .....	9611991887	9611990676	9611991886	9611991886	
50	4	Nut .....	9611990353	9611990587	9611992160	9611992160	
45	4	Screw .....	9611991834	9611992162	9611992163	9611992163	
40	2	Screw .....	9611994413	9611994413	9611994413		
41	2	Spring washer .....	9611994417	9611994417	9611994417		
52	4	Screw .....				9611992511	9611992511
53	4	Spring washer .....				9611991886	9611991886

Pos	Qty	Denomination	MR-166S	MR-185S	MR-200S	MR200S	MR300	MR300
			2.2kW IEC100	5.5kW IEC132	7,5kW IEC132	11kW IEC160	15kW IEC160	18.5kW IEC180
1	1	Motor ABB, 1500rpm ...	9614303020	9614303023	9614303024	9614303025	9614303026	9614303027

3 ~, 50 Hz, 230VD/400VY – Standard ≤ 22 kW and 400VD/690VY Standard > 22 kW  
 3 ~, 60 Hz, 220VD/440-460VY – Standard ≤ 22 kW and 440-460VD Standard > 22 kW





MR – Shaft seal and service kits

Pos	Qty	Denomination	MR-166S/ 185S/ 200S		MR-300
	1	Spanner for stationary seal ring .....	3143803351		
	1	Key for hexagonal socket .....		66884	
	1	Impeller tool .....		3146000501	
	1	Shaft seal tool .....		3146004161	
Pos	Qty	Denomination	MR-166S	MR-185S/ 200S	MR-300
□		Shaft seal, complete C/SS, EPDM (Standard) .....	3143802071	3143802061	3143803001
24	1	Spring .....			
25	1	Space ring .....			
26	1	Washer .....			
27	1	O-ring .....			
28	1	Rotating seal ring .....			
29	1	Stationary seal ring .....			
30	1	O-ring .....			
16	1	Washer .....			
□		Shaft seal, complete C/SS, NBR .....	3143802072	3143802062	3143803002
24	1	Spring .....			
25	1	Spacer ring .....			
26	1	Washer .....			
27	1	O-ring .....			
28	1	Rotating seal ring .....			
29	1	Stationary seal ring .....			
30	1	O-ring .....			
16	1	Washer .....			
□		Shaft seal, complete C/SS, FPM .....	3143802073	3143802063	3143803003
24	1	Spring .....			
25	1	Spacer ring .....			
26	1	Washer .....			
27	1	O-ring .....			
28	1	Rotating seal ring .....			
29	1	Stationary seal ring .....			
30	1	O-ring .....			
16	1	Washer .....			
<b>Alternatives</b>					
Δ		Shaft seal, complete SiC/SiC, EPDM .....		3143802064	
25	1	Spring .....			
26	1	O-ring .....			
27	1	Rotating seal ring SiC. ....			
28	1	Stationary seal ring SiC. ....			
29	1	O-ring .....			
Δ		Shaft seal, complete SiC/SiC, NBR .....		3143802065	
25	1	Spring .....			
26	1	O-ring .....			
27	1	Rotating seal ring SiC. ....			
28	1	Stationary seal ring SiC. ....			
29	1	O-ring .....			
Δ		Shaft seal, complete SiC/SiC, FPM .....		3143802066	
25	1	Spring .....			
26	1	O-ring .....			
27	1	Rotating seal ring SiC. ....			
28	1	Stationary seal ring SiC. ....			
29	1	O-ring .....			
			MR-166S	MR-185S/ 200S	MR-300
□		<b>Service kit, C/SS EPDM .....</b>	<b>9611921078</b>	<b>9611921081</b>	<b>9611921084</b>
□		<b>Service kit, C/SS NBR .....</b>	<b>9611921079</b>	<b>9611921082</b>	<b>9611921085</b>
□		<b>Service kit, C/SS FPM .....</b>	<b>9611921080</b>	<b>9611921083</b>	<b>9611921086</b>
Δ		<b>Service kit, SiC/SiC EPDM .....</b>		<b>8010014933</b>	
Δ		<b>Service kit, SiC/SiC NBR .....</b>		<b>8010014934</b>	
Δ		<b>Service kit SiC/SiC FPM .....</b>		<b>8010014935</b>	

Parts marked with □Δ are included in the service kits.  
 Recommended spare parts: Service kits.  
 (900692/6)

**How to contact Alfa Laval**

Contact details for all countries are continually updated on our website.

Please visit [www.alfalaval.com](http://www.alfalaval.com) to access the information directly.

© Alfa Laval Corporate AB

This document and its contents is owned by Alfa Laval Corporate AB and protected by laws governing intellectual property and thereto related rights. It is the responsibility of the user of this document to comply with all applicable intellectual property laws. Without limiting any rights related to this document, no part of this document may be copied, reproduced or transmitted in any form or by any means (electronic, mechanical, photocopying, recording, or otherwise), or for any purpose, without the expressed permission of Alfa Laval Corporate AB. Alfa Laval Corporate AB will enforce its rights related to this document to the fullest extent of the law, including the seeking of criminal prosecution.