



## Hose fittings

- Excellent sealing connection with platinum cured silicone hoses BBS-04
- All wetted materials can be tracked
- Reusable hose fittings
- Suitable for CIP and SIP

Product variants described in the data sheet may differ from the product presentation and description.

### Can be combined with

	<b>Type BBS-04</b> Platinum-cured peroxide-free silicone hose	▶
	<b>Type BBS-05</b> Sterile contour clamp connection according to DIN 11864-1 with weld end	▶
	<b>Type BBS-06</b> Sterile contour flange connection with weld end	▶
	<b>Type BBS-07</b> Sterile contour block flange	▶

### Type description

These hose fittings are specially designed for use with BBS-04 silicone hoses. Select the required hose size depending on the corresponding connection. The hose fittings are part of the BBS modular system

## Table of contents

<b>1. General technical data</b>	<b>3</b>
<hr/>	
<b>2. Approvals and conformities</b>	<b>3</b>
2.1. Conformity .....	3
2.2. Standards.....	3
<hr/>	
<b>3. Materials</b>	<b>3</b>
3.1. Bürkert resistApp .....	3
<hr/>	
<b>4. Dimensions</b>	<b>4</b>
4.1. Clamp.....	4
Hose union suitable for DIN 32767 .....	4
Hose connection suitable for DIN 32676 .....	5
4.2. BBS sterile contour .....	6
Sterile hose union .....	6
Sterile hose connection .....	7
Hose connection with weld end.....	8
4.3. BBS sterile contour (male) .....	9
Hose union with BBS sterile contour (male) .....	9
Hose connection with BBS sterile contour (male) .....	10
4.4. BBS sterile contour (female) .....	11
Hose union with BBS sterile contour (female) .....	11
Hose connection with BBS sterile contour (female).....	12
<hr/>	
<b>5. Device/Process connections</b>	<b>12</b>
5.1. Suitable hoses for hose unions.....	12
<hr/>	
<b>6. Ordering information</b>	<b>13</b>
6.1. Bürkert eShop .....	13
6.2. Bürkert product filter .....	13
6.3. Ordering chart .....	13

## 1. General technical data

Product properties	
Dimensions	Further information can be found in chapter "4. Dimensions" on page 4.
Materials	
Wetted	Stainless steel 1.4435/316L Special materials on request
Non-wetted	Stainless steel 1.4305/303 or equivalent
Surface quality	Wetted surface: RA < Ra 0.76 µm (ASME BPE SF3), other surfaces on request
Performance data	
Operating pressure	See <a href="#">datasheet Type BBS-04</a> ▶
Medium data	
Operating medium	Gases or liquids
Medium temperature	See <a href="#">datasheet Type BBS-04</a> ▶
Process/Port connection & communication	
Nominal diameter	DIN DN 08...DN 50 ISO DN 08...DN 50 ASME DN¼" ...DN 2" Customised solutions on request
Approvals and conformities	
Certificate	Material certificate 3.1
Environment and installation	
Ambient temperature	-20...+80 °C

## 2. Approvals and conformities

### 2.1. Conformity

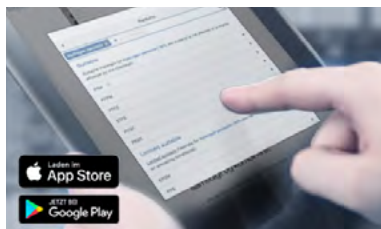
In accordance with the Declaration of Conformity, the product is compliant with the EU Directives.

### 2.2. Standards

The applied standards which are used to demonstrate compliance with the EU Directives are listed in the EU-Type Examination Certificate and/or the EU Declaration of Conformity.

## 3. Materials

### 3.1. Bürkert resistApp



#### Bürkert resistApp – Chemical resistance chart

You want to ensure the reliability and durability of the materials in your individual application case? Verify your combination of media and materials on our website or in our resistApp.

[Start chemical resistance check](#)

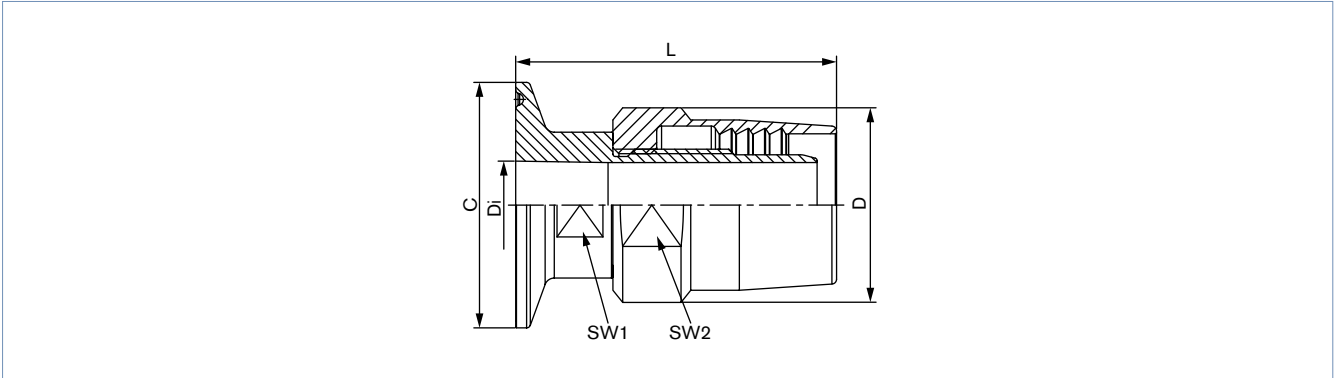
## 4. Dimensions

### 4.1. Clamp

Hose union suitable for DIN 32767

**Note:**

A completely gap-free connection feature can only be guaranteed in combination with BBS-04 silicone hoses. Further information can be found in **datasheet Type BBS-04** ▶.



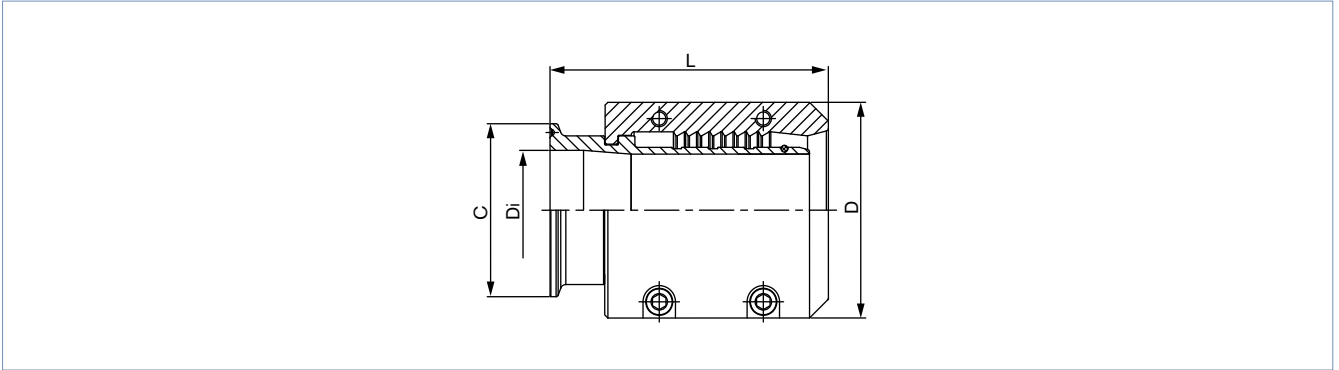
Nominal diameter	C [mm]	Di [mm]	L [mm]	D [mm]	SW1 [mm]	SW2 [mm]	Article no.
<b>DIN</b>							
DN 08	25	8	39.5	22	17	20	742106
DN 10	25	10	49	21.7	17	24	742107
DN 15	34	16	50	29.7	19	27	742108
DN 20	34	20	64	38.6	22	36	742109
DN 25	50.5	26	78.5	49.5	32	46	742111
DN 32	50.5	32	90	56	41	54	744803
<b>ISO</b>							
DN 08	25	10.3	49	21.7	17	24	742223
DN 10	34	10	49	27.7	17	24	742153
DN 15	50.5	18.1	66	40	27	36	742119
DN 20	50.5	23.7	78.5	49.5	32	46	742226
DN 25	50.5	29.7	96	57	41	55	742127
<b>ASME</b>							
DN ¼"	25	4.57	38.5	19.8	14	17	743031
DN ⅜"	25	7.75	49	21.7	17	24	741989
DN ½"	25	9.4	50	29.7	19	27	741993
DN ¾"	25	15.75	66	40	27	36	741995
DN 1"	50.5	22.1	78.5	49.5	32	46	742001

DTS 1000148951 EN Version: K Status: RL (released | freigegeben | validé) printed: 08.01.2024

Hose connection suitable for DIN 32676

**Note:**

A completely gap-free connection feature can only be guaranteed in combination with BBS-04 silicone hoses. Further information can be found in [datasheet Type BBS-04](#) ▶.



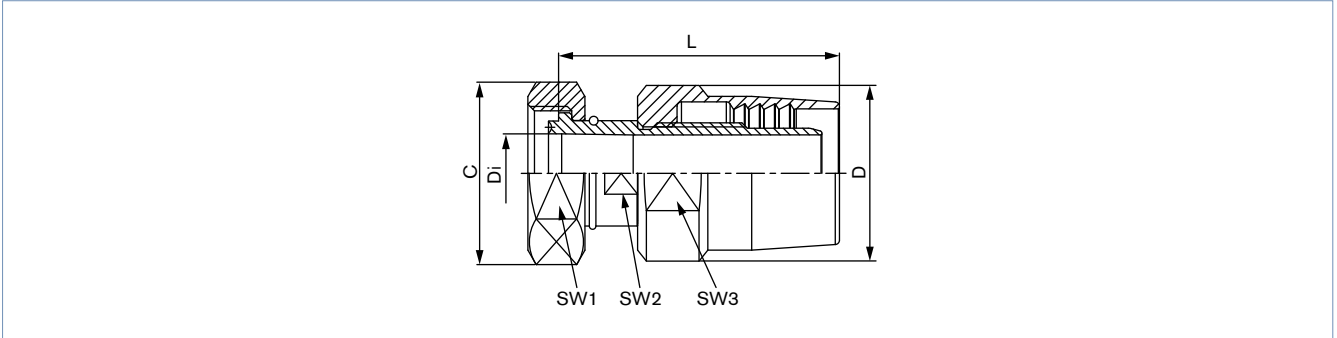
Nominal diameter	C	Di	L	D	Article no.
	[mm]	[mm]	[mm]	[mm]	
<b>DIN</b>					
DN 40	50.5	38	89.7	74	742112
DN 50	64	50	122.5	92	742114
<b>ISO</b>					
DN 32	64	38.4	89.7	74	742135
DN 40	64	44.3	101.8	78.8	742139
DN 50	77.5	56.3	124	92	742140
<b>ASME</b>					
DN 1½"	50.5	34.8	92.9	74	742007
DN 2"	64	47.5	102	79.8	742017
DN 2½"	77.5	60.2	123	92	743239

## 4.2. BBS sterile contour

### Sterile hose union

**Note:**

A completely gap-free connection feature can only be guaranteed in combination with BBS-04 silicone hoses. Further information can be found in [datasheet Type BBS-04](#) ▶.s.



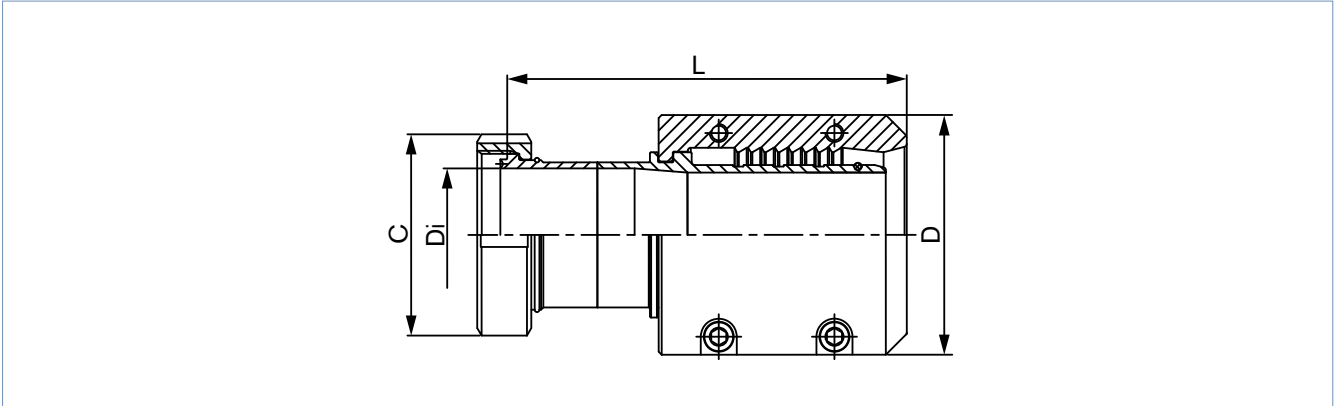
Nominal diameter	C [mm]	Di [mm]	L [mm]	D [mm]	SW1 [mm]	SW2 [mm]	SW3 [mm]	Article no.
<b>DIN</b>								
DN 04	21.9	4	40	17.8	19	8	14	742027
DN 06	21.9	6	40	19.8	19	10	17	742030
DN 08	24.5	8	42.3	22	22	11	20	742034
DN 10	31.2	10	49	27.7	27	14	24	742056
DN 15	36.5	16	52	29.7	36	21	27	742040
DN 20	48.3	20	65	38.6	42	22	36	742042
DN 25	52	26	77	49.5	–	32	46	742043
DN 32	62	32	87.7	56	–	41	54	742046
<b>ISO</b>								
DN 08	31.2	10.3	49	27.7	27	14	24	742056
DN 10	36.5	14	52	29.7	32	19	27	742066
DN 15	41.6	18.1	64	38.6	36	22	36	742072
DN 20	48	23.7	79.3	49.5	42	28	46	742083
DN 25	52	29.7	121	57	46	32	55	742086
<b>ASME</b>								
DN ¼"	21.9	4.57	42.3	22	22	11	17	742092
DN ⅜"	21.9	7.7	49	27.7	27	14	24	742093
DN ½"	24.5	9.4	52	29.7	32	19	27	742094
DN ¾"	31.2	15.75	65	38.6	42	22	36	742095
DN 1"	36.5	22.1	79.3	49.5	42	28	46	742096

DTS 1000148951 EN Version: K Status: RL (released | freigegeben | validé) printed: 08.01.2024

**Sterile hose connection**

**Note:**

A completely gap-free connection feature can only be guaranteed in combination with BBS-04 silicone hoses. Further information can be found in **datasheet Type BBS-04** ▶.



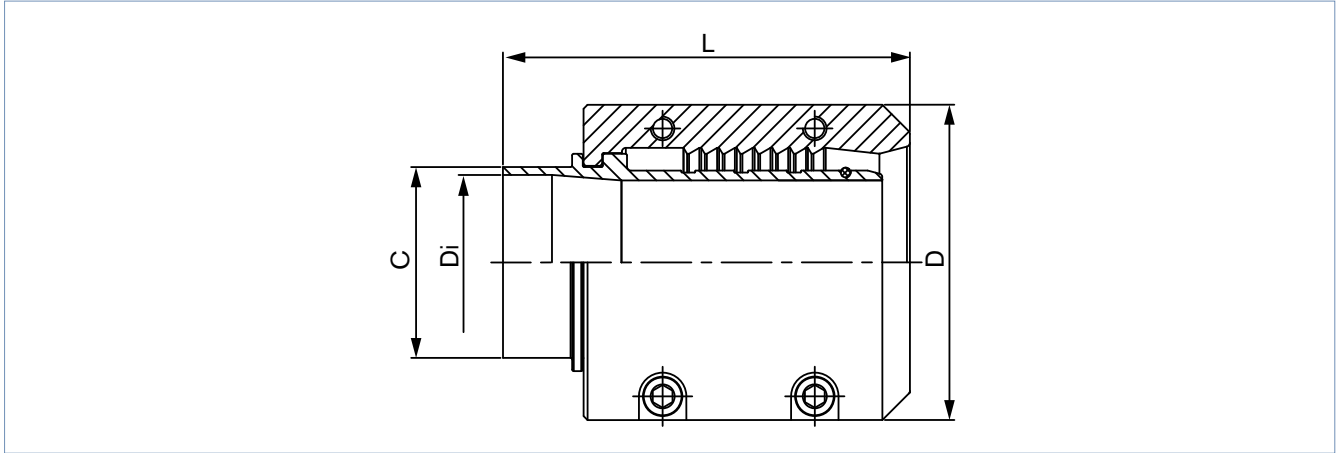
Nominal diameter	C [mm]	Di [mm]	L [mm]	D [mm]	SW1 [mm]	SW2 [mm]	Article no.
<b>DIN</b>							
DN 08	10	8	50	22	13	20	742290
DN 10	12	10	54	27.7	15	24	742292
DN 10	13	10	54	27.7	15	24	742293
DN 15	19	16	61.5	29.7	21	27	742295
DN 20	23	20	73	38.6	24	36	742296
DN 25	29	26	84	49.5	32	46	743772
DN 32	35	32	96	57	41	55	742298
<b>ISO</b>							
DN 08	13.5	10.3	54	27.7	14	24	742302
DN 10	17.2	14	61.5	29.7	19	27	742304
DN 15	21.3	18.1	70	38.6	22	36	742306
DN 20	26.9	23.7	84	49.5	32	46	742308
DN 25	33.7	29.7	96	57	41	55	742309
<b>ASME</b>							
DN 1/4"	6.35	4.57	42.3	22	22	17	742313
DN 3/8"	9.53	7.75	54	27.7	14	24	742314
DN 1/2"	12.7	9.4	64	29.7	32	27	742315
DN 3/4"	19.05	15.75	78.9	38.6	22	36	742316
DN 1"	25.4	22.1	95	49.5	32	46	742317

DTS 1000148951 EN Version: K Status: RL (released | freigegeben | validé) printed: 08.01.2024

**Hose connection with weld end**

**Note:**

A completely gap-free connection feature can only be guaranteed in combination with BBS-04 silicone hoses. Further information can be found in [datasheet Type BBS-04](#).



Nominal diameter	C	Di	L	D	Article no.
	[mm]	[mm]	[mm]	[mm]	
<b>DIN</b>					
DN 40	41	38	98.7	74	742299
DN 50	53	50	114	92	742300
<b>ISO</b>					
DN 32	42.4	38.4	85.6	74	742310
DN 40	48.3	44.3	102.8	79.8	742311
DN 50	60.3	56.3	114	92	742312
<b>ASME</b>					
DN 1½"	38.1	34.8	100.8	74	742318
DN 2"	50.8	47.5	101.8	79.8	742319

DTS 1000148951 EN Version: K Status: RL (released | freigegeben | valide) printed: 08.01.2024

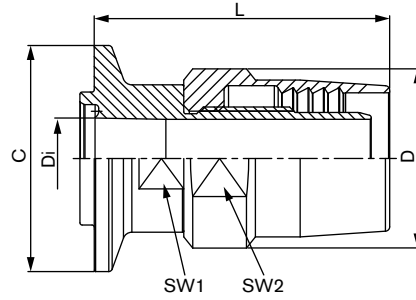


### 4.3. BBS sterile contour (male)

#### Hose union with BBS sterile contour (male)

**Note:**

A completely gap-free connection feature can only be guaranteed in combination with BBS-04 silicone hoses. Further information can be found in [datasheet Type BBS-04](#) ▶.



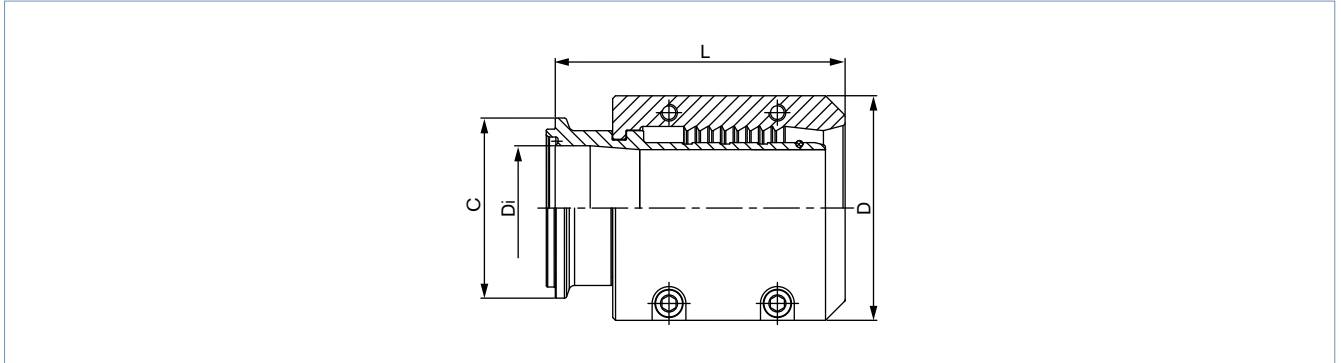
Nominal diameter	C [mm]	Di [mm]	L [mm]	D [mm]	SW1 [mm]	SW2 [mm]	Article no.
<b>DIN</b>							
DN 04	25	4	36.25	17.8	10	14	731524 <a href="#">↗</a>
DN 06	25	6	38.5	19.8	14	17	731526 <a href="#">↗</a>
DN 08	25	8	39.5	22	11	20	731528 <a href="#">↗</a>
DN 10	25	10	48.8	27.7	17	24	731534 <a href="#">↗</a>
DN 15	50.5	16	52	29.7	21	27	744899 <a href="#">↗</a>
DN 20	50.5	20	63.8	38.6	22	36	731535 <a href="#">↗</a>
DN 25	50.5	26	78.5	49.5	32	46	731537 <a href="#">↗</a>
DN 32	64	32	90	56	41	54	744900 <a href="#">↗</a>
<b>ISO</b>							
DN 08	25	10.3	52	27.7	17	24	731471 <a href="#">↗</a>
DN 10	50.5	14	52	29.7	19	27	742534 <a href="#">↗</a>
DN 15	50.5	18.1	66	38.6	27	36	742536 <a href="#">↗</a>
DN 20	50.5	23.7	80.5	50	27	46	744894 <a href="#">↗</a>
DN 25	50.5	29.7	97	56	41	54	731485 <a href="#">↗</a>
<b>ASME</b>							
DN 1/4"	25	4.57	38.4	19.8	14	17	731501 <a href="#">↗</a>
DN 3/8"	25	7.75	39.5	22	14	20	747826 <a href="#">↗</a>
DN 1/2"	25	9.4	50.5	29.7	19	27	731503 <a href="#">↗</a>
DN 3/4"	50.5	15.75	66	40	27	36	731505 <a href="#">↗</a>
DN 1"	50.5	22.10	80.5	49.5	32	46	731510 <a href="#">↗</a>

DTS 1000148951 EN Version: K Status: RL (released | freigegeben | validé) printed: 08.01.2024

**Hose connection with BBS sterile contour (male)**

**Note:**

A completely gap-free connection feature can only be guaranteed in combination with BBS-04 silicone hoses. Further information can be found in **datasheet Type BBS-04** ▶.



Nominal diameter	C	Di	L	D	Article no.
	[mm]	[mm]	[mm]	[mm]	
<b>DIN</b>					
DN 40	50.5	38	89.7	74	731539
DN 50	64	50	112.5	92	731541
<b>ISO</b>					
DN 32	64	38.4	110	90	731489
DN 40	64	44.3	130	79.8	731495
DN 50	77.5	56.3	146.6	92	747797
<b>ASME</b>					
DN 1½"	50.5	34.8	94.1	74	731512
DN 2"	64	47.5	102.8	79.8	731514

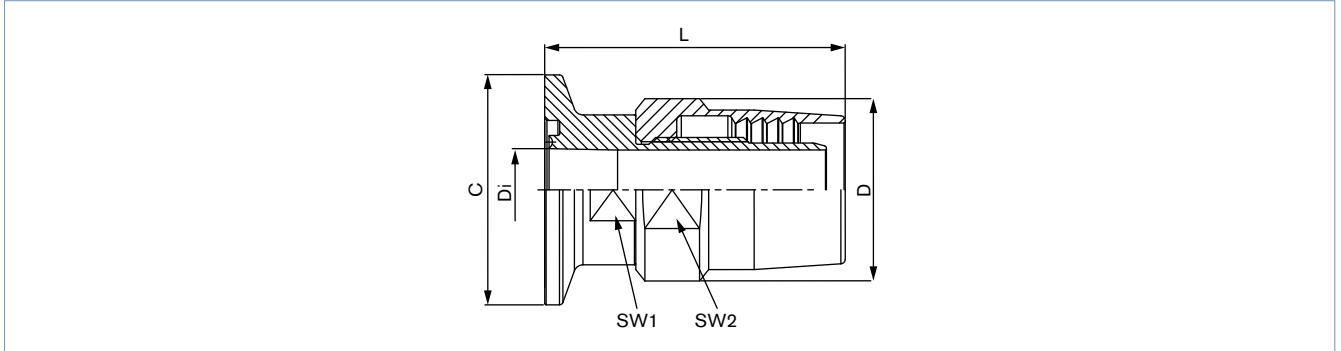
DTS 1000148951 EN Version: K Status: RL (released | freigegeben | valide) printed: 08.01.2024

#### 4.4. BBS sterile contour (female)

##### Hose union with BBS sterile contour (female)

**Note:**

A completely gap-free connection feature can only be guaranteed in combination with BBS-04 silicone hoses. Further information can be found in [datasheet Type BBS-04](#) ▶.



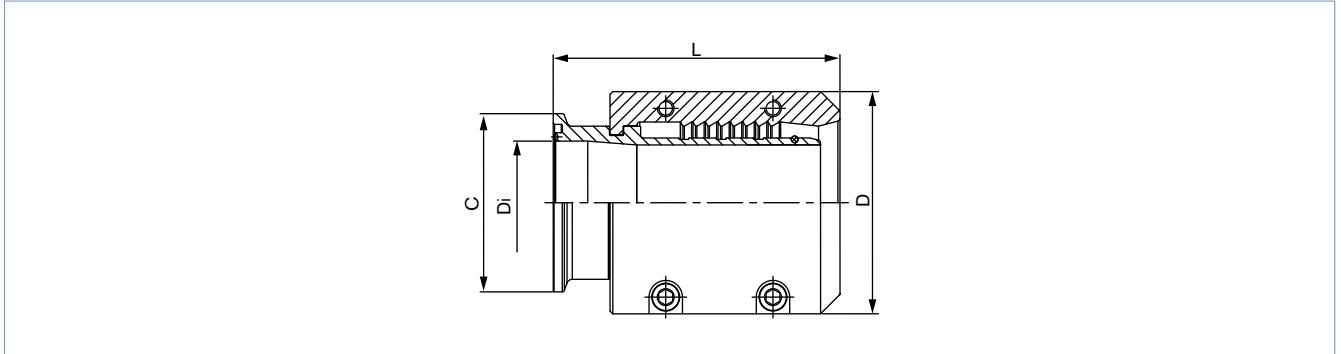
Nominal diameter	C [mm]	Di [mm]	L [mm]	D [mm]	SW1 [mm]	SW2 [mm]	Article no.
<b>DIN</b>							
DN 08	25	8	39.5	22	17	20	742576
DN 10	25	10	48.8	27.7	17	24	742578
DN 15	50.5	16	52	29.7	21	27	744908
DN 20	50.5	20	63.8	38.6	22	36	742580
DN 25	50.5	26	78.5	49.5	32	46	742581
DN 32	64	32	90	56	41	54	744909
<b>ISO</b>							
DN 08	25	10.3	48.9	27.7	17	24	742543
DN 10	50.5	14	52	29.7	19	27	742549
DN 15	50.5	18.1	66	38.6	27	36	742551
DN 20	50.5	23.7	80.5	49.5	32	46	744902
DN 25	50.5	29.7	97	57	41	55	742554
<b>ASME</b>							
DN 1/4"	25	4.57	38.4	19.8	14	17	742564
DN 3/8"	25	7.75	39.5	22	11	20	744903
DN 1/2"	25	9.4	52	29.7	17	27	742566
DN 3/4"	25	15.75	65.8	38.6	22	36	742567
DN 1"	50.5	22.1	77.5	49.5	32	46	742569

DTS 1000148951 EN Version: K Status: RL (released | freigegeben | validé) printed: 08.01.2024

**Hose connection with BBS sterile contour (female)**

**Note:**

A completely gap-free connection feature can only be guaranteed in combination with BBS-04 silicone hoses. Further information can be found in **datasheet Type BBS-04** ▶.



Nominal diameter	C [mm]	Di [mm]	L [mm]	D [mm]	Article no.
<b>DIN</b>					
DN 40	50.5	38	89.7	74	731539
DN 50	64	50	112.5	92	731541
<b>ISO</b>					
DN 32	64	38.4	85.7	75	742558
DN 40	64	44.3	103.4	79.8	742561
DN 50	77.5	56.3	122.5	92	742563
<b>ASME</b>					
DN 1½"	50.5	34.8	94.3	74	742570
DN 2"	64.0	47.5	102.8	79.8	742571

## 5. Device/Process connections

### 5.1. Suitable hoses for hose unions

**Note:**

A completely gap-free connection feature can only be guaranteed in combination with BBS-04 silicone hoses. Further information can be found in **datasheet Type BBS-04** ▶.

Nominal diameter	Inner Ø x wall thickness	Functional part parameter
	[mm]	
<b>DIN</b>		
DN 08	8×3.2	IC
DN 10	10×4.75	ID
DN 15	12.7×4.75	IE
DN 20	19×5.8	IF
DN 25	25.4×6.35	IG
DN 32	32×7	IH
DN 40	38×7	II
DN 50	55×7	IK
<b>ISO</b>		
DN 08	10×4.75	ID
DN 10	12.7×4.75	IE
DN 15	19×5.8	IF
DN 20	25.4×6.35	IG
DN 25	32×7	IH
DN 32	38×7	II
DN 40	45×7	IJ
DN 50	55×7	IK

Nominal diameter	Inner Ø x wall thickness	Functional part parameter
	[mm]	
<b>ASME</b>		
DN¼"	5 × 2.5	IA
DN¾"	8 × 3.2	IC
DN 1½"	12.7 × 4.75	IE
DN¾"	19 × 5.8	IF
DN 1"	25.4 × 6.35	IG
DN 1½"	38 × 7	II
DN 2"	45 × 7	IJ

## 6. Ordering information

### 6.1. Bürkert eShop



#### Bürkert eShop – Easy ordering and quick delivery

You want to find your desired Bürkert product or spare part quickly and order directly? Our online shop is available for you 24/7. Sign up and enjoy all the benefits.

[Order online now](#)

### 6.2. Bürkert product filter



#### Bürkert product filter – Get quickly to the right product

You want to select products comfortably based on your technical requirements? Use the Bürkert product filter and find suitable articles for your application quickly and easily.

[Try out our product filter](#)

### 6.3. Ordering chart

**Note:**

Further information can be found in chapter [“4. Dimensions”](#) on page 4.

DTS 1000148951 EN Version: K Status: RL (released | freigegeben | valide) printed: 08.01.2024