



### Cable plug, form A according to DIN EN 175301-803

- Versions with protective circuits with or without LED
- Simple connection and safe contacting
- Approval UR and CSA (depending on variant)
- Available with and without cable

Product variants described in the data sheet may differ from the product presentation and description.

#### Can be combined with

	<b>Type 6013</b> Plunger valve 2/2-way direct-acting	▶
	<b>Type 0330</b> Direct-acting 2/2 or 3/2-way pivoted armature valve	▶
	<b>Type 6213</b> Servo-assisted 2/2-way diaphragm valve	▶

#### Type description

Plug for the connection of electrical components according to DIN EN 175301-803 Form A. Type 2518 offers easy connection of lines as well as reliable contacting. A wide range of protective circuits with or without LED are available.

DTS 1000386347 EN Version: F Status: RL (released | freigegeben | validé) printed: 16.11.2023

## Table of contents

<b>1. General technical data</b>	<b>3</b>
<hr/>	
<b>2. Approvals and conformities</b>	<b>4</b>
2.1. General notes.....	4
2.2. Conformity .....	4
2.3. Standards.....	4
2.4. North America (USA/Canada) .....	4
<hr/>	
<b>3. Materials</b>	<b>5</b>
3.1. Bürkert resistApp .....	5
3.2. Version with UR-Approval, field attachable .....	5
3.3. Version without UR-Approval, field attachable .....	6
3.4. Version with cable .....	6
3.5. Version with M12 connection.....	7
<hr/>	
<b>4. Dimensions</b>	<b>7</b>
4.1. Cable plug without cable, field attachable.....	7
4.2. Cable plug with cable, moulded .....	8
4.3. Cable plug with M12 connection .....	9
<hr/>	
<b>5. Device/Process connections</b>	<b>10</b>
5.1. Electrical connections.....	10
Circular plug M12, 5-pin .....	10
<hr/>	
<b>6. Performance specifications</b>	<b>10</b>
6.1. Derating diagram.....	10
Versions without wiring, 2-pin and 3-pin .....	10
Versions without wiring, 2-pin and 3-pin, moulded .....	10
Versions with LED or varistor or LED and varistor, field attachable.....	11
Versions with LED or varistor or LED and varistor, moulded .....	11
Versions with bridge rectifier, varistor with and without LED, field attachable .....	11
Versions with bridge rectifier, varistor with and without LED, moulded.....	12
Versions with pole protection diode, free-wheeling diode with and without LED, field attachable .....	12
Versions with pole protection diode, free-wheeling diode with and without LED, moulded.....	13
<hr/>	
<b>7. Ordering information</b>	<b>13</b>
7.1. Bürkert eShop.....	13
7.2. Bürkert product filter.....	13
7.3. Ordering chart.....	14
Cable plug without cable, field attachable.....	14
Cable plug with cable, moulded .....	15
Cable plug with M12 connection .....	16
7.4. Ordering chart accessories.....	16
Sealing kits.....	16

## 1. General technical data

Product properties	Field attachable cable plug (without cable)	Moulded cable plug (with cable, M12)
Dimensions	Further information can be found in chapter <a href="#">“4. Dimensions” on page 7.</a>	
<b>Material</b>		
Seal	NBR (Standard) EPDM and silicone can be ordered as a set	TPU, moulded
Cover	Polyamide	–
Cable	–	PUR (M12 without cable)
Contact	Brass	Brass
Operating display	Yellow LED, if available	Yellow LED, if available
Cable outlet	Can be rotated through 4x90°	On or opposite PE
Cable gland	M16x1.5	–
Number of poles	See <a href="#">“7.3. Ordering chart” on page 14</a>	See <a href="#">“7.3. Ordering chart” on page 14</a>
Transition resistance	≤ 10 mΩ Standard	≤ 10 mΩ Standard
<b>Electrical data</b>		
Nominal voltage	Depends on the version Further information can be found in chapter <a href="#">“7. Ordering information” on page 13.</a>	Depends on the version Further information can be found in chapter <a href="#">“7. Ordering information” on page 13.</a>
<b>Medium data</b>		
<b>Continuous maximum temperature<sup>1.)</sup></b>		
Cable plug	-40 °C...+125 °C	-25 °C...+85 °C (M12: -25 °C...+80 °C)
Seal NBR	-30 °C...+90 °C	–
Seal EPDM	-40 °C...+125 °C	–
Seal silicone	-55 °C...+140 °C	–
<b>Approvals and certificates</b>		
Protection class	IP65 / IP67 (see <a href="#">“7.3. Ordering chart” on page 14</a> )	IP65 / IP67
UL, CSA	All versions with clamping ring and without LED Further information can be found in chapter <a href="#">“2. Approvals and conformities” on page 4.</a>	–
VDE	All versions except pole protection and free-wheeling diode with or without LED	All versions except pole protection and free-wheeling diode with or without LED
<b>Process/Port connection &amp; communication</b>		
Suitable cables	Ø 6.0...Ø 8.0 mm with UR approval Ø 4.5...Ø 10.0 mm without UR approval	–
Connection type	Screw terminal	–
Conductor size	0.25 mm <sup>2</sup> ...1.5 mm <sup>2</sup>	0.75 mm <sup>2</sup> (M12 without cable)
Electrical connection	According to DIN EN 175301 - 803 form A	According to DIN EN 175301 - 803 form A
Plug cycles	Max. 50	Max. 50

1.) Observe derating, see [“6.1. Derating diagram” on page 10.](#)

## 2. Approvals and conformities

### 2.1. General notes

- The approvals and conformities listed below must be stated when making enquiries. This is the only way to ensure that the product complies with all required specifications.
- Not all available versions can be supplied with the below mentioned approvals or conformities.

### 2.2. Conformity

In accordance with the Declaration of Conformity, the product is compliant with the EU Directives.

### 2.3. Standards

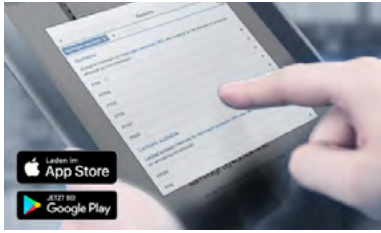
The applied standards which are used to demonstrate compliance with the EU Directives are listed in the EU-Type Examination Certificate and/or the EU Declaration of Conformity.

### 2.4. North America (USA/Canada)

Approval	Description
	<p><b>Optional: UL Recognized for the USA and Canada (E315587)</b>            The product version without cable is UL Recognized for the USA and Canada according to:</p> <ul style="list-style-type: none"> <li>• UL2238 (Cable assemblies and fittings for industrial control and signal distribution)</li> <li>• CAN/CSA-C22.2 No. 182.3-16</li> </ul>

### 3. Materials

#### 3.1. Bürkert resistApp



#### Bürkert resistApp – Chemical resistance chart

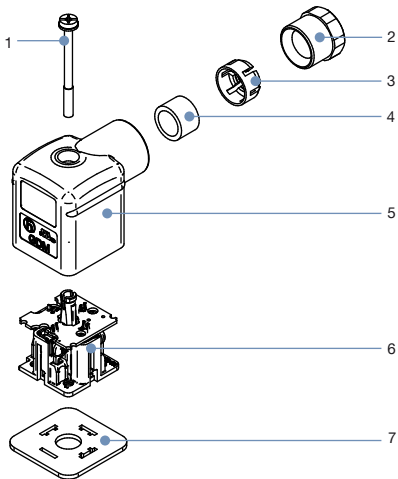
You want to ensure the reliability and durability of the materials in your individual application case? Verify your combination of media and materials on our website or in our resistApp.

[Start chemical resistance check](#)

#### 3.2. Version with UR-Approval, field attachable

##### Available circuitry:

- Without circuitry
- With varistor
- With bridging rectifier and varistor
- With pole protection diode and free wheeling diode



No.	Element	Material
1	Central screw	Stainless steel
2	Pressure screw	Polyamide
3	Clamping ring	–
4	Seal	–
5	Cover	Polyamide
6	Contact holder	Polyamide
7	Seal	NBR

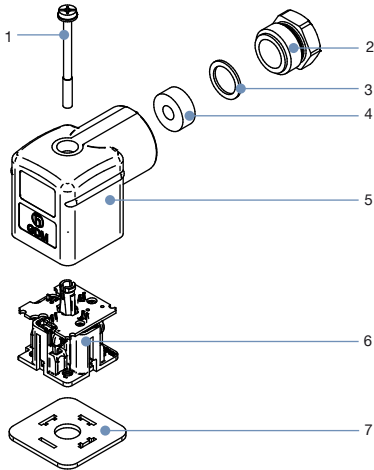
### 3.3. Version without UR-Approval, field attachable

**Available circuitry:**

- Without circuitry (only in PU 200 pieces see “Cable plug without cable, field attachable” on page 14)
- With LED
- With LED and varistor
- With LED, bridging rectifier and varistor
- With pole protection diode, free wheeling diode and LED

**Note:**

The versions with cables do not possess a UR approval.



No.	Element	Material
1	Central screw	Stainless steel
2	Pressure screw	Polyamide
3	Pressure ring	–
4	Seal	–
5	Cover	Polyamide
6	Contact holder	Polyamide
7	Seal	NBR

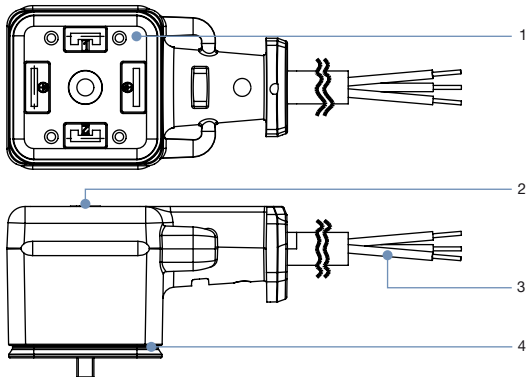
### 3.4. Version with cable

**Available circuitry:**

- Without circuitry
- With LED
- With varistor
- With bridging rectifier and varistor
- With LED and varistor
- With LED, bridging rectifier and varistor
- With pole protection diode and free wheeling diode
- With pole protection diode, free wheeling diode and LED

**Note:**

The versions with cables do not possess a UR approval.



No.	Element	Material
1	Contact holder	PBT GF
2	Central screw	V2 A
3	Cable	PUR
4	Seal moulded on	TPU

DTS 1000386347 EN Version: F Status: RL (released | freigegeben | valide) printed: 16.11.2023

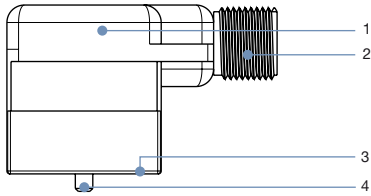
### 3.5. Version with M12 connection

**Available circuitry:**

- With LED and varistor

**Note:**

The versions with M12 connection do not possess a UR approval.



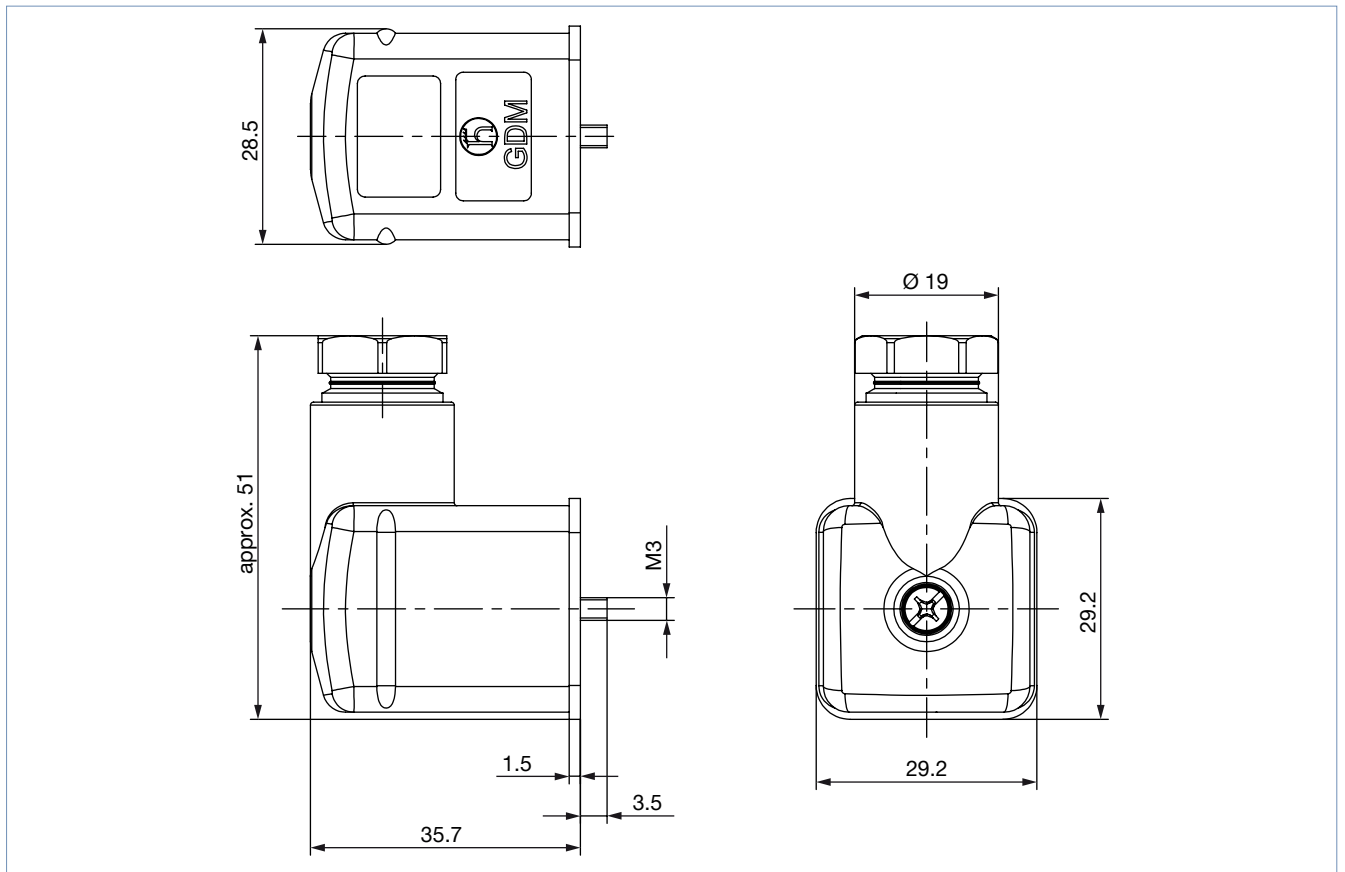
No.	Element	Material
1	Contact holder	PBT
2	M12 connection	CuZn, nickel-plated
3	Seal moulded on	TPU
4	Central screw	V2 A

## 4. Dimensions

### 4.1. Cable plug without cable, field attachable

**Note:**

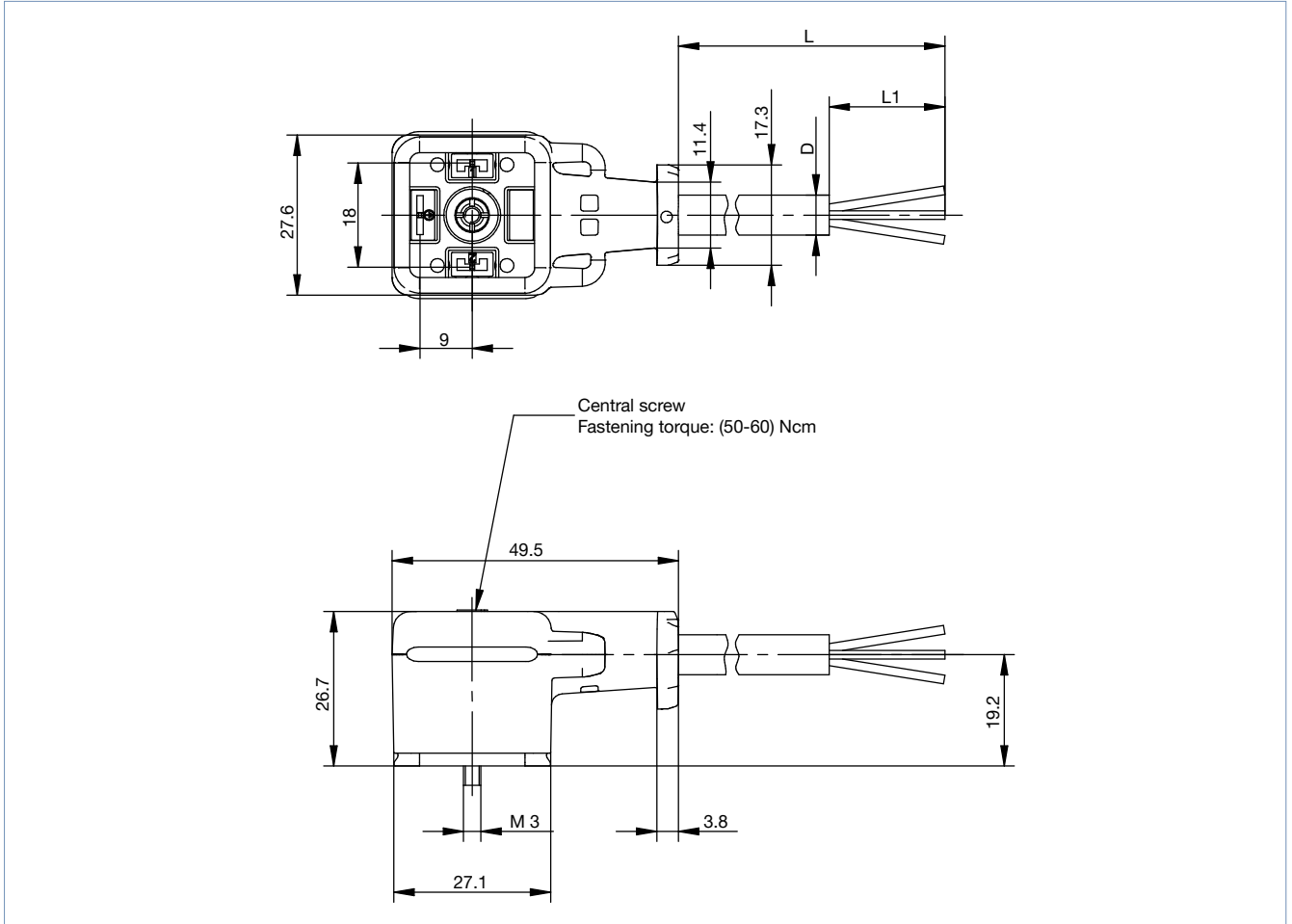
Dimensions in mm



### 4.2. Cable plug with cable, moulded

**Note:**

Dimensions in mm



**Note on the length tolerances:**

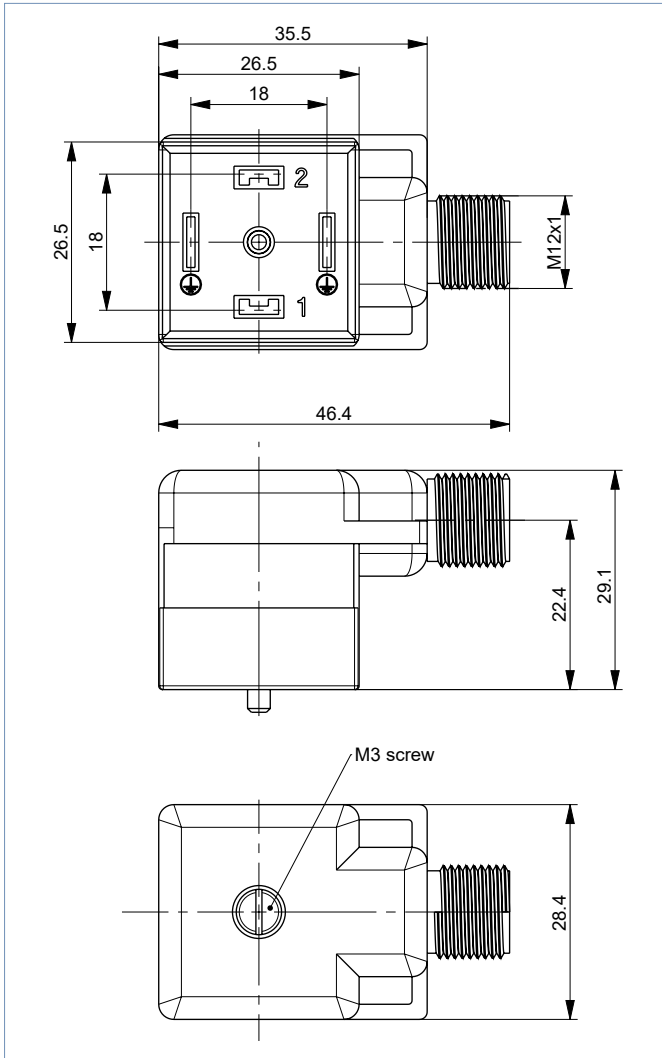
Cable length prefabricated part		Stripping length
L	Tolerances of L	L1
< 1 m	-10/+20	60 ± 1
< 1...2 m	-20/+50	60 ± 1
> 2...5 m	-40/+70	60 ± 1
> 5...10 m	-90/+120	60 ± 1
> 10 m	-120/+140	60 ± 1



### 4.3. Cable plug with M12 connection

**Note:**

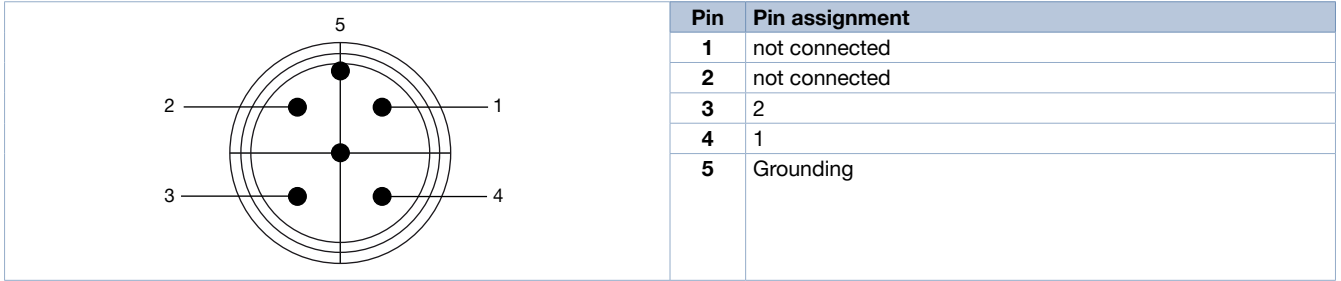
Dimensions in mm



## 5. Device/Process connections

### 5.1. Electrical connections

Circular plug M12, 5-pin

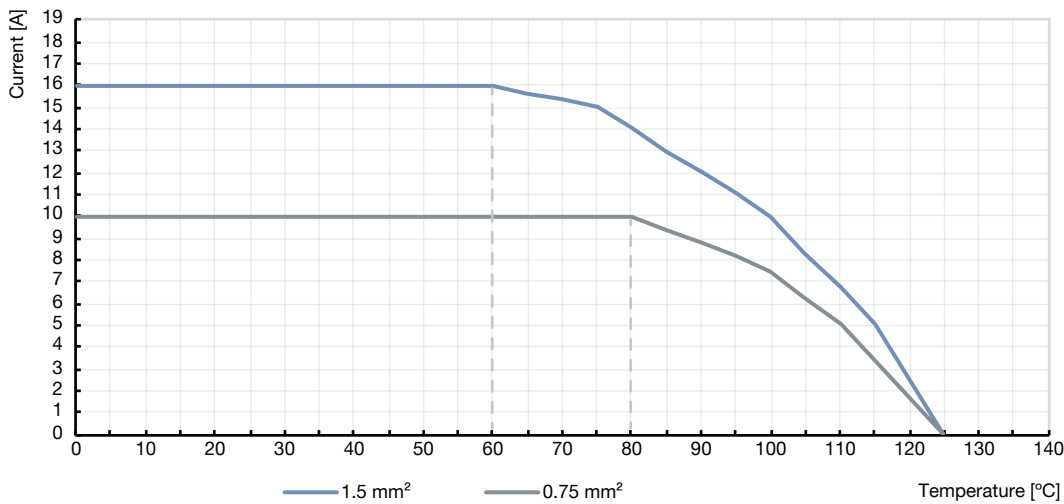


## 6. Performance specifications

### 6.1. Derating diagram

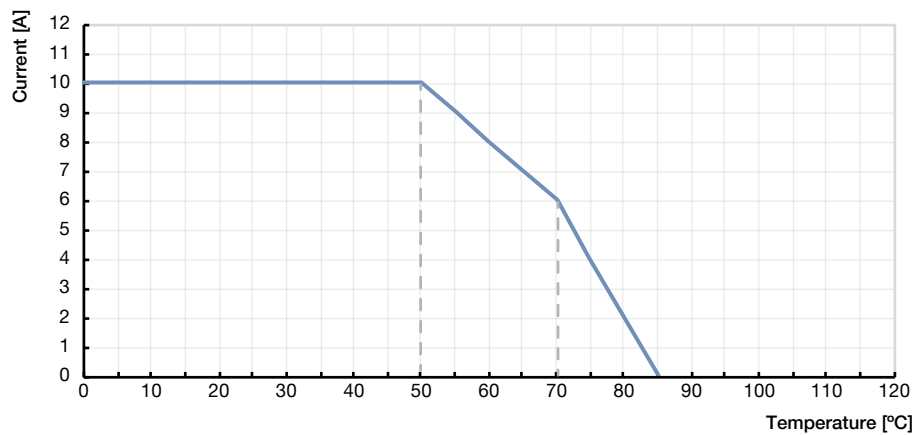
Versions without wiring, 2-pin and 3-pin

Derating DIN EN 175301-803



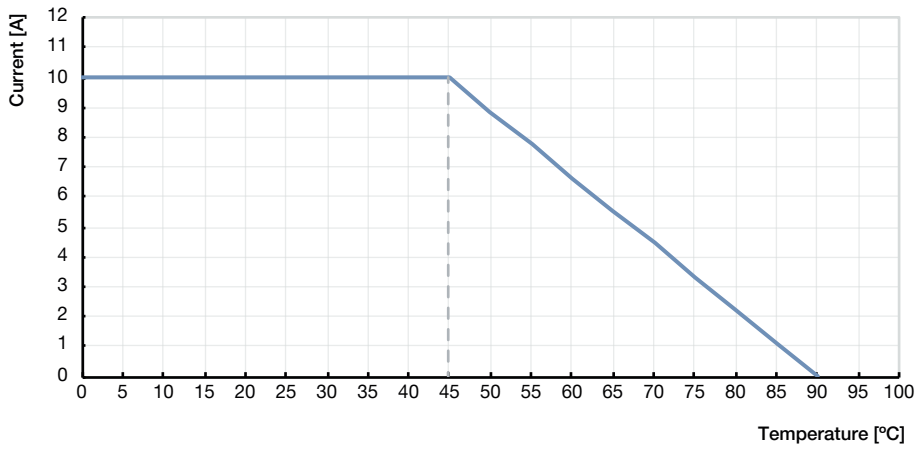
Versions without wiring, 2-pin and 3-pin, moulded

Derating DIN EN 60512-5-2



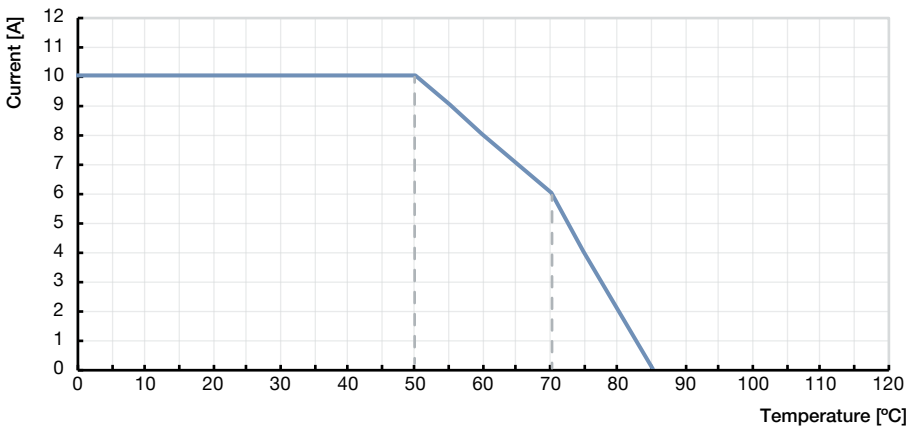
**Versions with LED or varistor or LED and varistor, field attachable**

Derating - LED, LED and varistor



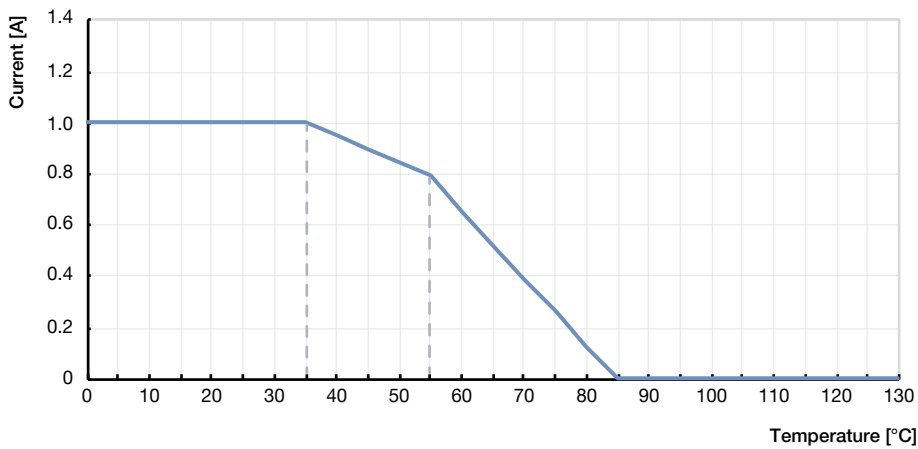
**Versions with LED or varistor or LED and varistor, moulded**

Derating DIN EN 60512-5-2



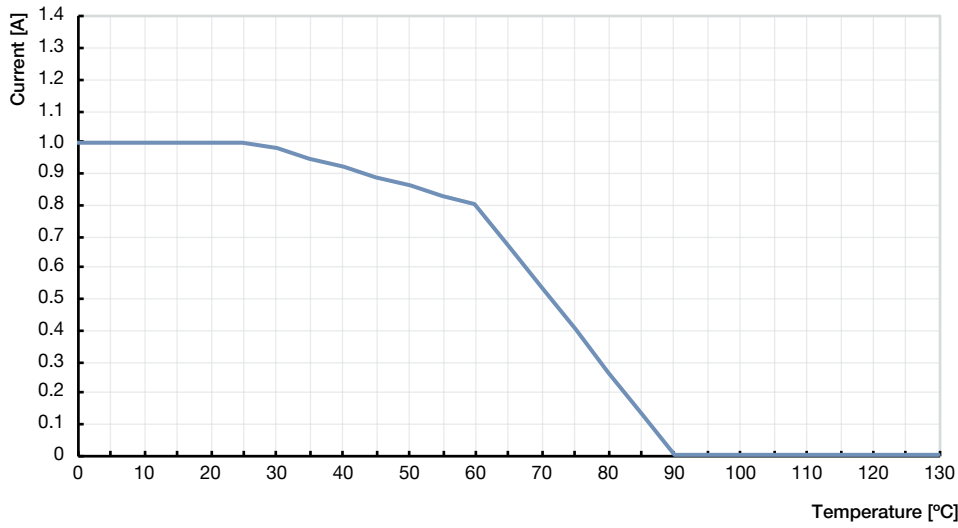
**Versions with bridge rectifier, varistor with and without LED, field attachable**

Derating DIN EN 60512-5-2

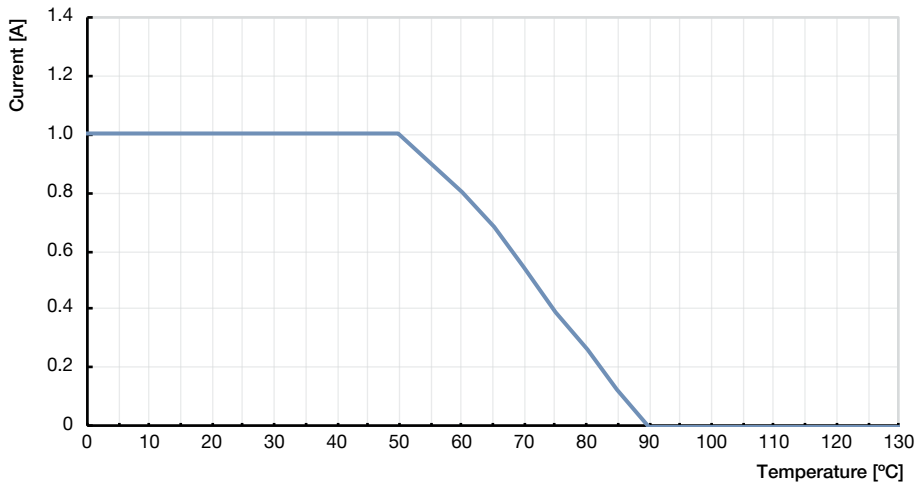


DTS 1000386347 EN Version: F Status: RL (released | freigegeben | validé) printed: 16.11.2023

**Versions with bridge rectifier, varistor with and without LED, moulded**  
Derating DIN EN 60512-5-2

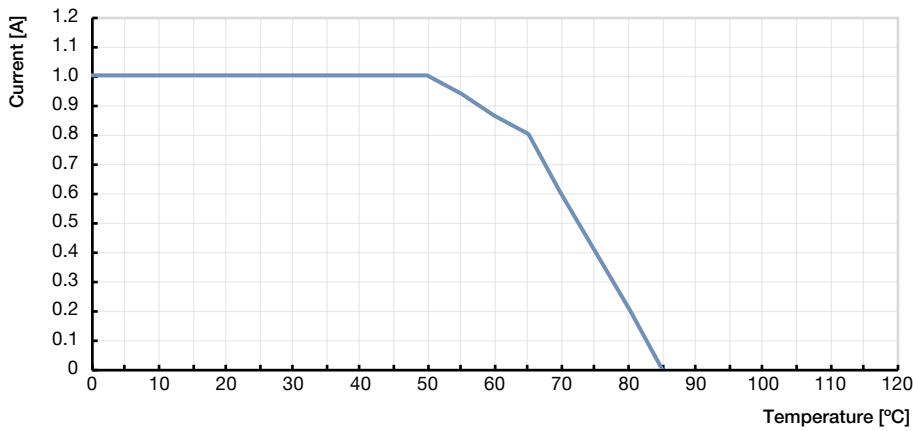


**Versions with pole protection diode, free-wheeling diode with and without LED, field attachable**  
Derating DIN EN 60512-5-2



DTS 1000386347 EN Version: F Status: RL (released | freigegeben | validé) printed: 16.11.2023

Versions with pole protection diode, free-wheeling diode with and without LED, moulded  
Derating DIN EN 60512-5-2



## 7. Ordering information

### 7.1. Bürkert eShop



#### Bürkert eShop – Easy ordering and quick delivery

You want to find your desired Bürkert product or spare part quickly and order directly? Our online shop is available for you 24/7. Sign up and enjoy all the benefits.

[Order online now](#)

### 7.2. Bürkert product filter



#### Bürkert product filter – Get quickly to the right product

You want to select products comfortably based on your technical requirements? Use the Bürkert product filter and find suitable articles for your application quickly and easily.

[Try out our product filter](#)

### 7.3. Ordering chart

#### Cable plug without cable, field attachable

**Note:**

The delivery is made in a polythene bag with stainless steel screw and NBR seal.

Circuit diagram	Operating voltage [V/Hz]	Rated voltage [V/Hz]	Continuous current [A]	Number of poles without cable	Protection class without cable	Article no.
<b>Without circuit</b>						
	230 V AC/DC 300 V AC/DC (UL)	250 V (VDE) 300 V (UL)	10 A, (VDE, UL) 8 A, (CSA)	2+PE	IP65/IP67	314802 <sup>1.)</sup>
	230 V AC/DC	250 V	10 A (VDE)	2+PE	IP65	314803 <sup>2.)</sup>
<b>Without circuit, 3-pins, protective earth conductor</b>						
	230 V AC/DC 300 V AC/DC (UL)	250 V (VDE) 300 V (UL)	10 A (VDE)	3+PE	IP65/IP67	315329 <sup>1.)</sup>
<b>With LED</b>						
	24 V AC/DC	30 V	10 A	2+PE	IP65	314812 <sup>1.)</sup>
	120 V AC/DC	150 V	10 A	2+PE	IP65	315330 <sup>1.)</sup>
	230 V AC/DC	250 V	10 A	2+PE	IP65	315334 <sup>1.)</sup>
<b>With Rectifier, LED and varistor</b>						
	24 V AC/DC	30 V	1 A	2+PE	IP65	314816 <sup>1.)</sup>
	120 V AC/DC	150 V	1 A	2+PE	IP65	315338 <sup>1.)</sup>
	230 V AC/DC	250 V	1 A	2+PE	IP65	315342 <sup>1.)</sup>
<b>With LED and varistor</b>						
	24 V AC/DC	30 V	10 A	2+PE	IP65	314820 <sup>1.)</sup>
	120 V AC/DC	150 V	10 A	2+PE	IP65	315346 <sup>1.)</sup>
	230 V AC/DC	250 V	10 A	2+PE	IP65	314825 <sup>1.)</sup>
<b>With varistor</b>						
	24 V AC/DC	30 V	10 A	2+PE	IP65/IP67	314826 <sup>1.)</sup>
	230 V AC/DC	250 V	10 A	2+PE	IP65/IP67	315353 <sup>1.)</sup>
<b>With pole protection, free wheeling diode and LED</b>						
	24 V DC	30 V	1 A	2+PE	IP65	315357 <sup>1.)</sup>
<b>With pole protection and free wheeling diode</b>						
	230 V DC	250 V	1 A	2+PE	IP65/IP67	314830 <sup>1.)</sup>
<b>With rectifier and varistor</b>						
	230 V AC/DC	250 V	1 A	2+PE	IP65/IP67	314839 <sup>4.)</sup>

1.) cURus approval E315587

2.) Only available in 200 units as PU and with galvanised steel screw and NBR seal

DTS 1000386347 EN Version: F Status: RL (released | freigegeben | validé) printed: 16.11.2023

**Cable plug with cable, moulded**

**Note:**

The delivery is made in a polythene bag with stainless steel screw.

Circuit diagram	Operating voltage [V/Hz]	Rated voltage [V/Hz]	Continuous current [A]	Number of poles with cable	Protection class with cable	Article no.		
						With 1 m cable	With 3 m cable	With 5 m cable
<b>Without circuit</b>								
	230 V AC/DC	250 V AC/DC	10 A	2+2PE	IP65/IP67	314806	314807	314808
<b>Without circuit, 3-pins, protective earth conductor</b>								
	230 V AC/DC	250 V AC/DC	10 A	3+PE	IP65/IP67	314809	314810	314811
<b>With LED</b>								
	24 V AC/DC	30 V	10 A	2+2PE	IP65/IP67	314813	314814	314815
	120 V AC/DC	150 V	10 A	2+2PE	IP65/IP67	315331	315332	315333
	230 V AC/DC	250 V	10 A	2+2PE	IP65/IP67	315335	315336	315337
<b>With Rectifier, LED and varistor</b>								
	24 V AC/DC	30 V	1 A	2+PE	IP65/IP67	314817	314818	314819
	120 V AC/DC	150 V	1 A	2+PE	IP65/IP67	315339	315340	315341
	230 V AC/DC	250 V	1 A	2+PE	IP65/IP67	315343	315344	315345
<b>With LED and varistor</b>								
	24 V AC/DC	30 V	10 A	2+2PE	IP65/IP67	314821	314822	314824
	120 V AC/DC	150 V	10 A	2+2PE	IP65/IP67	315347	315348	315349
	230 V AC/DC	250 V	10 A	2+2PE	IP65/IP67	315350	315351	315352
<b>With varistor</b>								
	24 V AC/DC	30 V	10 A	2+2PE	IP65/IP67	314827	314828	314829
	230 V AC/DC	250 V	10 A	2+2PE	IP65/IP67	315354	315355	315356
<b>With pole protection, free wheeling diode and LED</b>								
	24 V DC	30 V	1 A	2+2PE	IP65/IP67	315358	314837	314838
<b>With pole protection and free wheeling diode</b>								
	230 V DC	250 V	1 A	2+2PE	IP65/IP67	314831	314832	314833
<b>With rectifier and varistor</b>								
	230 V AC/DC	250 V	1 A	2+PE	IP65/IP67	314840	314841	314842

DTS 1000386347 EN Version: F Status: RL (released | freigegeben | valide) printed: 16.11.2023

**Cable plug with M12 connection**

**Note:**

The delivery is made in a polythene bag with stainless steel screw.

Circuit diagram	Operating voltage [V/Hz]	Rated voltage [V/Hz]	Continuous current [A]	Number of poles without cable	Protection class without cable	Article no.
<b>With LED and varistor</b>						
	24 V	32 V	4	2+PE	IP67	902801

Further versions on request	
	<b>Material</b> Further seal materials on request

**7.4. Ordering chart accessories**

**Sealing kits**

**Note:**

Please note that the screw set is only suitable for field attachable variants.

Description	Material	Packaging unit	Article no.
Sealing kit SC02-2518-700	EPDM	50 pieces	356539
Sealing kit SC02-2518-700	Silicone	50 pieces	356537
Sealing kit SC02-2518-700	NBR	50 pieces	20005658
Screw set SC02-2518-700	Stainless steel	100 pieces	356540

DTS 1000386347 EN Version: F Status: RL (released | freigegeben | validé) printed: 16.11.2023