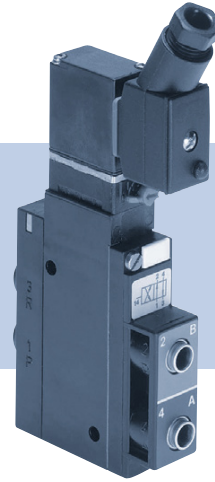


## Type 0470, 5470

3/2 or 4/2 way solenoid valve  
3/2- bzw. 4/2-Wege-Magnetventil  
Électrovanne 3/2 ou 4/2 voies



### Operating Instructions

Bedienungsanleitung  
Manuel d'utilisation

EN

Bürkert Fluid Control Systems  
Sales Center  
Christian-Bürkert-Str. 13-17  
D-74653 Ingelfingen  
Tel. + 49 (0) 7940 - 10 91 111  
Fax + 49 (0) 7940 - 10 91 448  
E-mail: info@de.buerkert.com

**International address**  
[www.burkert.com](http://www.burkert.com)

Manuals and data sheets on the Internet: [www.burkert.com](http://www.burkert.com)  
Bedienungsanleitungen und Datenblätter im Internet: [www.buerkert.de](http://www.buerkert.de)  
Manuels et fiches techniques sur Internet : [www.buerkert.fr](http://www.buerkert.fr)

© Bürkert Werke GmbH & Co. KG, 2011 - 2017  
Operating Instructions 1701 / FI\_ÖWEP\_008EH I I / Original DE

## 1 THE OPERATING INSTRUCTIONS

The operating instructions contain important information.

- ▶ Read the operating instructions carefully and follow the safety instructions in particular.
- ▶ The operating instructions must be available to every user.
- ▶ The liability and warranty for Type 0470, 5470 are not applicable if the operating instructions are not followed.

### 1.1 Symbols

- ▶ Designates instructions for risk prevention.
- Designates a procedure which you must carry out.

Warning of serious or fatal injuries:



**DANGER!**

In case of imminent danger.



**WARNING!**

In case of potential danger.

Warning of minor or moderately severe injuries:



**CAUTION!**

Warning of damage:

**NOTE!**

### 1.2 Definition of the term “device”

The term “device” used in the instructions always refers to the Type 0470, 5470.

## 2 INTENDED USE

**Incorrect use of the solenoid valve Type 0470, 5470 may be a hazard to people, nearby equipment and the surrounding area.**

- ▶ The device is used exclusively as 3/2 or 4/2-way solenoid valve for the media permitted according to the data sheet of the corresponding type.
- ▶ Provided the cable plug is connected and installed correctly, e.g. Bürkert Type 2506 (for Type 5470) or Type 1054 (for Type 0470), the device satisfies degree of protection IP65 in accordance with DIN EN 60529 / IEC 60529.
- ▶ In a hazardous area, the device may be used only in accordance with the specification on the separate Ex type label. For the use, observe the additional information enclosed with the device with safety instructions for the EX area.
- ▶ Devices without a separate Ex type label may not be used in a potentially explosive area.
- ▶ Use according to the authorized data, operating conditions and conditions of use specified in the contract documents, the data sheet and the operating instructions.
- ▶ Correct transport, correct storage and installation as well as careful use and maintenance are essential for reliable and problem-free operation.
- ▶ Use the device only for its intended purpose.

2

english

## 3 BASIC SAFETY INSTRUCTIONS

These safety instructions do not make allowance for any contingencies and events which may arise during assembly, operation and maintenance.



**Danger – high pressure!**

- ▶ Turn off the pressure and vent the lines before loosening lines or valves.

**Risk of electric shock!**

- ▶ Before reaching into the device or the equipment, switch off the power supply and secure to prevent reactivation!
- ▶ Observe applicable accident prevention and safety regulations for electrical equipment!

**Risk of injury from greatly accelerated device parts!**

- ▶ Before pressurizing the valve, check that all screw connections and screw joints are tight and secure.

**Risk of burns/danger of fire during long-term operation due to hot device surface!**

- ▶ Keep the device away from highly flammable substances and media and do not touch with bare hands.

**To prevent injuries/damage:**

- ▶ Do not make any internal or external changes to the device and safeguard against unintentional actuation.
- ▶ Installation and maintenance work may be carried out only by authorized technicians with the appropriate tools.
- ▶ After an interruption in the electrical or pneumatic supply, ensure that the process is restarted in a defined or controlled manner.
- ▶ Do not subject the housing to mechanical loads.
- ▶ Observe the general accepted technical rules.

### 3.1 Restrictions

If exporting the device, observe any existing restrictions.

## 4 APPROVALS

The approval mark indicated on the Bürkert labels refers to the Bürkert products.

Devices which must bear the type approval mark were approved at the Kraftfahrtbundesamt under the type approval number

**e1\*72/245\*2006/96\*5791\*00**

and are put into circulation with the indicated type approval mark.

e1

**035791**

You can obtain an extract of the type approval from the address below.

Bürkert Werke GmbH  
CQ-Approval Management  
Christian-Bürkert-Str.13-17  
D-74653 Ingelfingen

## 5 STRUCTURE AND FUNCTION

The valves can be mounted in blocks on the modular pneumatic base rail Type MP05.

### 5.1 Structure of the standard designs

#### 5.1.1 Connections

All connections are identified by numbers on the valve surface. These refer to the following functions:

Number	Function
1	Pressure inlet port
2 und 4	Working port
3	Exhaust port

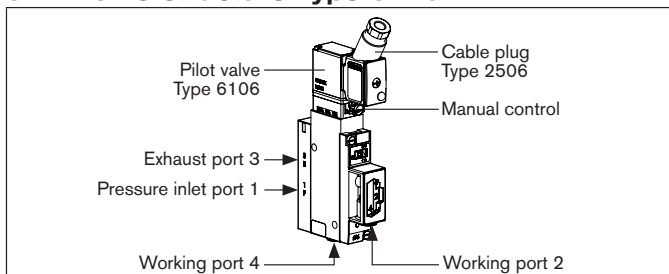
4

english

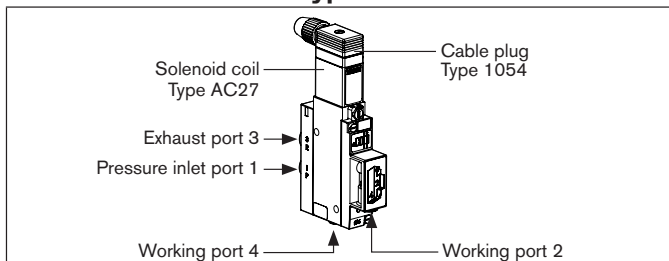
3

english

### 5.1.2 Valve structure Type 5470



### 5.1.3 Valve structure Type 0470



### 5.2 Circuit functions

C		<b>3/2-way valve</b> Normally inlet port 1 closed, working port 2 connected with exhaust port 3.
D		<b>3/2-way valve</b> Normally inlet port 1 connected with working port 2, exhaust port 3 closed.
G		<b>4/2-way valve</b> Normally inlet port 1 connected with working port 2, working port 4 connected with exhaust port 3.

## 6 TECHNICAL DATA

### 6.1 Conformity

The solenoid valve Type 0470, 5470 is compliant with EC directives as stated in the EC Declaration of Conformity.

### 6.2 Standards

The applied standards which are used to demonstrate compliance with the EC Directives are listed in the EC Prototype Examination Certificate and/or the EC Declaration of Conformity.

### 6.3 Type label

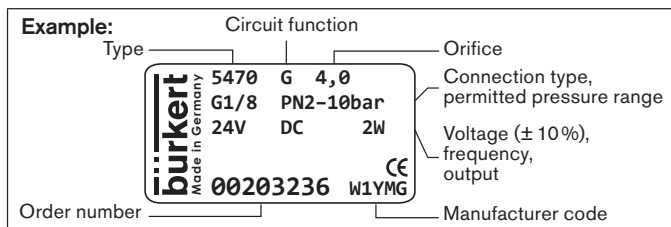


Fig. 1: Example of type label on the pilot-controlled solenoid valve Type 5470

### 6.4 Operating conditions

**!** Please observe the specifications on the data sheet and on the type label.

Ambient temperature	-10 °C ... +55 °C (please observe temperature restrictions on account of approvals)
Permitted medium temp.	-10 °C ... +50 °C
Compr. air quality	ISO 8573-1:2010, Class 7.4.4 <sup>1)</sup>
Permitted media	Filtered compressed air oiled and unoled, neutral gases
Permitted pressure range	Observe specifications on type label Pressure difference at least 2 bar between ports 1 and 3
Degree of protection	IP65 as per DIN EN 60529 / IEC 60529 with correctly connected and fitted cable plug, e.g. Bürkert Type 2506
Operating duration	Unless otherwise indicated on the type label, the solenoid system is suitable for continuous operation

<sup>1)</sup> To prevent the expanded compressed air from freezing, its pressure dew point **must be at least 10 K lower than the medium temperature.**

**!** Important information for functional reliability during continuous operation!  
If the equipment is switched off for a long period, it is recommended to activate the valves at least 1-2 per day.

#### Service life:

High switching frequency and high pressures reduce the service life. The valves operate maintenance-free.

### 6.5 Materials

Housing material: PA

Seal material: NBR

## 7 ASSEMBLY

### 7.1 Safety instructions

**!** **DANGER!**

#### Risk of injury from high pressure in the system!

- ▶ Turn off the pressure and vent the lines before loosening lines or valves.

#### Risk of injury due to electrical shock!

- ▶ Before reaching into the device or the equipment, switch off the power supply and secure to prevent reactivation!
- ▶ Observe applicable accident prevention and safety regulations for electrical equipment!

**!** **WARNING!**

#### Risk of injury from greatly accelerated device parts and unconnected whiplashing compressed air hoses!

- ▶ Before pressurizing the valve, check that all screw connections and screw joints are tight and secure.

#### Risk of injury from improper assembly!

- ▶ Assembly may only be carried out by authorized technicians and with the appropriate tools!

**Risk of injury from unintentional activation of the system and uncontrolled restart!**

- ▶ Secure system against unintentional activation.
- ▶ Following assembly, ensure a controlled restart.

**7.2 Type 5470, turning the solenoid coil**

The valves are supplied fully assembled. If the solenoid coil in the pilot valve is in an unfavorable position for installation, the coil can be turned 180°.

**WARNING!**

**Risk of electrical shock if the coil is incorrectly fitted!**

- ▶ During installation, make sure that the coil is firmly seated on the valve body so that the protective conductor connection of the coil is in contact with the valve housing.
- ▶ Check the function of the protective conductor (for test values, see "Tab. 1", page 11).

- Loosen M2 screws and pull coil away from the valve body.
- Turn coil, attach to valve body, and screw on with M2 screws, tightening alternately step by step. While doing so, observe the tightening torque:

Tightening torque 1st Level 0.1 Nm (± 0.05 Nm),  
2nd Level 0.2 Nm (± 0.05 Nm).

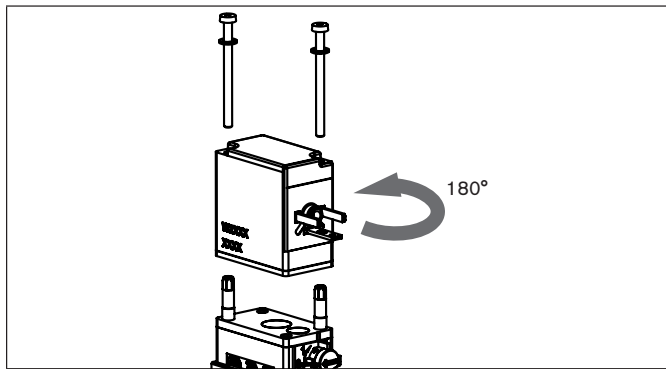
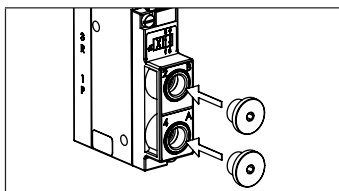
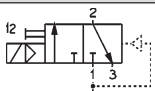
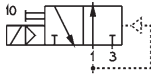


Fig. 2: Typ 5470: The solenoid coil in the pilot valve can be turned by 180°

**7.3 Conversion from a 4/2 to a 3/2 way valve**



To convert the 4/2-way valve into a 3/2-way valve, you must seal connection 2 or connection 4 with a plug depending on the required operating principle.

Connection 2	Connection 4	Circuit function
sealed	open	C 
open	sealed	D 

**7.4 Pneumatic connection**

**WARNING!**

**Risk of injury from greatly accelerated device parts and unconnected whiplashing compressed air hoses!**

- ▶ Before pressurizing the valve, check that all screw connections and screw joints are tight and secure.

Installation position: any, preferably with solenoid system face up.

**Before connecting:**

- Check whether hose lines are dirty and clean.
- If required, install a dirt filter upstream of the valve inlet (≤ 5 µm).

**Pneumatic connection:**

**NOTE!**

**Risk of breakage!**

- ▶ Do not use coil as a lever arm.
- ▶ Do not use a cylinder wrench to tighten screws.

- Hold the device by hand **on the housing** and connect to the hose line. Do not exceed the standard screw-in depth.
- Seal with PTFE tape or elastomer seal.

- Observe allocation of the connections (see Chapter "5.1.1 Connections", page 4).
- Align hose lines.

**7.5 Electrical connection**

**WARNING**

**Risk of injury due to electrical shock!**

- ▶ Before reaching into the system, switch off the electrical power supply and secure to prevent reactivation!
- ▶ Observe applicable accident prevention and safety regulations for electrical equipment!
- ▶ When screwing the coil onto the device socket, make sure the seal is correctly seated.

If the protective conductor contact between the coil and housing is missing, there is a danger of electric shock!

- ▶ Always connect protective conductor.
- ▶ Check electrical continuity between coil and housing.

**7.5.1 Connection of cable plug to the power supply**

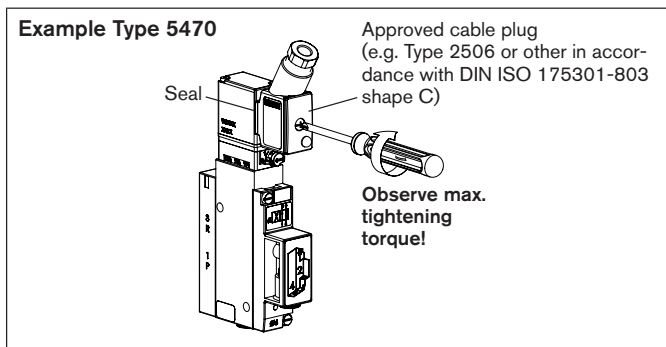


Fig. 3: Connection of cable plug to the power supply, Example type 5470

- Tighten cable plug (for authorized types see data sheet), observing maximum torque (0.3 Nm).
- Check that seal is fitted correctly.
- Connect protective conductor and check electrical continuity between coil and housing (s. "Tab. 1").

**NOTE!**

If the cable plug is designed in such a way that the screw is pointing upwards, insert a seal made of a material compatible with your process under the screw head.

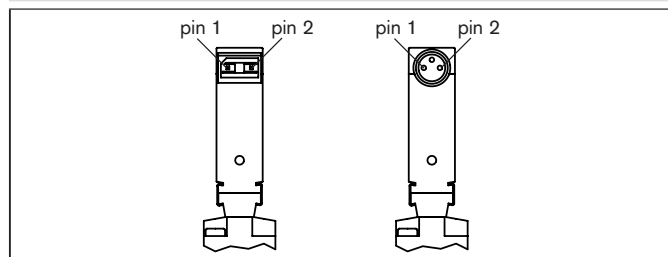
**!** Note the voltage and current type as specified on the type label.

Pesistor	Test voltage	Test current
max. 0.1 Ω	12 V	1 A

Tab. 1: Test values protective conductor function

**7.6 Actuating the pulse version**

**!** The correct polarity is a prerequisite for the device to function: Observe the markings on the coil surface. Pulse duration at least 50 ms.



Plug configuration	Effect	
(+) on pin 2 (-) on pin 1	Pilot valve opened	1-3 CFG
		1-4 CFC
(+) on pin 1 (-) on pin 2	Pilot valve closed	1-2 CFG
		4-3 CFC

**8 MANUAL CONTROL**

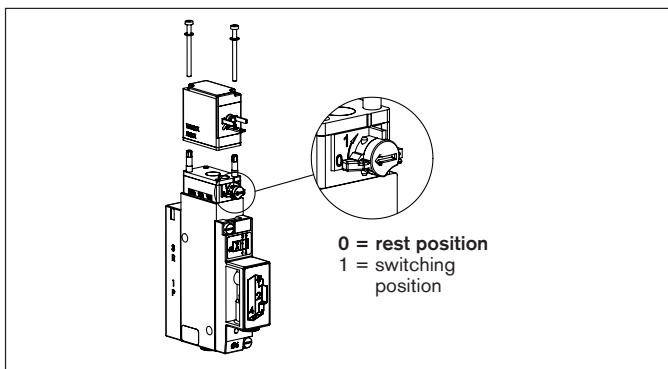


Fig. 4: Manual control based on the example of Type 5470

**9 DISASSEMBLY**

Disassembly is in reverse sequence to assembly.

**10 MAINTENANCE, TROUBLESHOOTING**

If the valve is used according to these operating instructions, the valve will operate maintenance-free.

**10.1 Safety instructions**

**!** **WARNING!**

**Risk of injury from improper maintenance!**

- ▶ Maintenance may only be carried out by authorized technicians and with the appropriate tools!

**Risk of injury due to electrical shock!**

- ▶ Before reaching into the device or the equipment, switch off the power supply and secure to prevent reactivation!

**Danger – high pressure!**

- ▶ Turn off the pressure and vent the lines before loosening lines or valves.

**Risk of injury from unintentional activation of the system and uncontrolled restart!**

- ▶ Secure system against unintentional activation.
- ▶ Following maintenance, ensure a controlled restart.

**10.2 Malfunctions**

If malfunctions occur, check whether:

- the device has been installed according to the instructions,
- the electrical and pneumatic connections are correct,
- the device is not damaged,
- all screws have been tightened,
- the voltage and pressure have been switched on,
- the pipelines are clean,
- the manual control is in the normal position.

**Valve does not switch**

Possible causes:

- short circuit or coil interrupted,
- core or core area dirty,
- medium pressure outside the permitted pressure range.

**Valve does not close**

Possible causes:

- inner compartment of the valve is dirty.

**11 TRANSPORTATION, STORAGE, DISPOSAL**

**NOTE!**

**Transport damage!**

Inadequately protected devices may be damaged during transportation.

- ▶ Protect the device against moisture and dirt in shock-resistant packaging during transportation.
- ▶ Prevent the temperature from exceeding or dropping below the permitted storage temperature.
- ▶ Protect the electrical interfaces of the coil and the pneumatic connections from damage by placing protective caps on them.

**Incorrect storage may damage the device.**

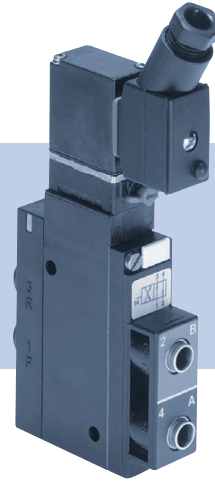
- ▶ Store the device in a dry and dust-free location!
- ▶ Storage temperature -40 °C ... +80 °C.

**Damage to the environment caused by device components contaminated with media.**

- ▶ Dispose of the device and packaging in an environmentally friendly manner!
- ▶ Observe applicable disposal and environmental regulations.

## Type 0470, 5470

3/2 or 4/2 way solenoid valve  
3/2- bzw. 4/2-Wege-Magnetventil  
Électrovanne 3/2 ou 4/2 voies



### Operating Instructions

Bedienungsanleitung  
Manuel d'utilisation

DE

Bürkert Fluid Control Systems  
Sales Center  
Christian-Bürkert-Str. 13-17  
D-74653 Ingelfingen  
Tel. + 49 (0) 7940 - 10 91 111  
Fax + 49 (0) 7940 - 10 91 448  
E-mail: info@de.buerkert.com

**International address**  
[www.burkert.com](http://www.burkert.com)

Manuals and data sheets on the Internet: [www.burkert.com](http://www.burkert.com)  
Bedienungsanleitungen und Datenblätter im Internet: [www.buerkert.de](http://www.buerkert.de)  
Manuels et fiches techniques sur Internet : [www.buerkert.fr](http://www.buerkert.fr)

© Bürkert Werke GmbH & Co. KG, 2011 - 2017  
Operating Instructions 1701 /FI\_ÖÖÖ\_008€H I Í / Original DE



## 1 DIE BEDIENUNGSANLEITUNG

### Die Bedienungsanleitung enthält wichtige Informationen.

- ▶ Die Bedienungsanleitung sorgfältig lesen und die Hinweise zur Sicherheit beachten.
- ▶ Die Bedienungsanleitung muss jedem Benutzer zur Verfügung stehen.
- ▶ Die Haftung und Gewährleistung für Typ 0470, 5470 entfällt, wenn die Anweisungen der Bedienungsanleitung nicht beachtet werden.

### 1.1 Darstellungsmittel

- ▶ markiert eine Anweisung zur Gefahrenvermeidung.
- markiert einen Arbeitsschritt, den Sie ausführen müssen.

#### Warnung vor schweren oder tödlichen Verletzungen:



#### **GEFAHR!**

Bei unmittelbarer Gefahr.



#### **WARNUNG!**

Bei möglicher Gefahr.

#### Warnung vor leichten oder mittelschweren Verletzungen:



#### **VORSICHT!**

#### Warnung vor Sachschäden:

#### **HINWEIS!**

### 1.2 Begriffsdefinition „Gerät“

Der in der Anleitung verwendete Begriff „Gerät“ bezeichnet immer den Typ 0470, 5470.

## 2 BESTIMMUNGSGEMÄSSER GEBRAUCH

### Bei nicht bestimmungsgemäßem Einsatz des Magnetventils Typ 0470, 5470 können Gefahren für Personen, Anlagen in der Umgebung und die Umwelt entstehen.

- ▶ Das Gerät dient ausschließlich als 3/2- bzw. 4/2-Wege-Magnetventil für die laut Datenblatt des entsprechenden Typs zulässigen Medien.
- ▶ Mit einer sachgemäß angeschlossenen und montierten Gerätesteckdose, z. B. Bürkert Typ 2506 (bei Magnetventil Typ 5470) oder Typ 1054 (bei Magnetventil Typ 0470) erfüllt das Gerät die Schutzart IP65 nach DIN EN 60529 / IEC 60529.
- ▶ Im explosionsgefährdeten Bereich darf das Gerät nur entsprechend der Spezifikation auf dem separaten Ex-Typschild eingesetzt werden. Für den Einsatz muss die dem Gerät beiliegende Zusatzinformation mit Sicherheitshinweisen für den Ex-Bereich beachtet werden.
- ▶ Geräte ohne separates Ex-Typschild dürfen nicht im explosionsgefährdeten Bereich eingesetzt werden.
- ▶ Für den Einsatz die in den Vertragsdokumenten, dem Datenblatt und der Bedienungsanleitung spezifizierten zulässigen Daten, Betriebs- und Einsatzbedingungen beachten.
- ▶ Voraussetzungen für den sicheren und einwandfreien Betrieb sind sachgemäßer Transport, sachgemäße Lagerung und Installation sowie sorgfältige Bedienung und Instandhaltung.
- ▶ Das Gerät nur bestimmungsgemäß einsetzen.

## 3 GRUNDLEGENDE SICHERHEITSHINWEISE

Diese Sicherheitshinweise berücksichtigen keine Zufälligkeiten und Ereignisse, die bei Montage, Betrieb und Wartung auftreten können.



### Verletzungsgefahr durch hohen Druck!

- ▶ Vor dem Lösen von Leitungen oder Ventilen den Druck abschalten und Leitungen entlasten.

### Verletzungsgefahr durch elektrische Spannung!

- ▶ Vor Eingriffen in das Gerät oder die Anlage Spannung abschalten und vor Wiedereinschalten sichern!
- ▶ Die geltenden Unfallverhütungs- und Sicherheitsbestimmungen für elektrische Geräte beachten!

### Verletzungsgefahr durch stark beschleunigte Geräteteile!

- ▶ Vor Beaufschlagen des Ventils mit Druck alle Schlauchverbindungen und Verschraubungen auf festen, sicheren Sitz überprüfen.

### Verbrennungsgefahr/Brandgefahr bei Dauerbetrieb durch heiße Geräteoberfläche!

- ▶ Das Gerät von leicht brennbaren Stoffen und Medien fernhalten und nicht mit bloßen Händen berühren.

### Zum Schutz vor Verletzungen/Sachschäden beachten:

- ▶ Am Gerät keine inneren oder äußeren Veränderungen vornehmen und vor unbeabsichtigter Betätigung sichern.
- ▶ Installations- und Instandhaltungsarbeiten dürfen nur von autorisiertem Fachpersonal mit geeignetem Werkzeug ausgeführt werden.
- ▶ Nach einer Unterbrechung der elektrischen oder pneumatischen Versorgung ist ein definierter oder kontrollierter Wiederanlauf des Prozesses zu gewährleisten.
- ▶ Gehäuse nicht mechanisch belasten.
- ▶ Die allgemeinen Regeln der Technik einhalten.

### 3.1 Beschränkungen

Beachten Sie bei der Ausfuhr des Geräts gegebenenfalls bestehende Beschränkungen.

## 4 ZULASSUNGEN

Die auf den Bürkert Typschildern aufgebrauchte Zulassungskennzeichnung bezieht sich auf die Bürkert Produkte.

Geräte, die das Typgenehmigungszeichen tragen müssen, wurden beim Kraftfahrtbundesamt unter der Typgenehmigungsnummer

**e1\*72/245\*2006/96\*5791\*00**

genehmigt und werden mit dem gezeigten Typgenehmigungszeichen in den Verkehr gebracht.

e1

**035791**

Einen Auszug der Typgenehmigung erhalten Sie unter folgender Adresse:

Bürkert Werke GmbH  
CQ-Approval Management  
Christian-Bürkert-Str.13-17  
D-74653 Ingelfingen

## 5 AUFBAU UND FUNKTION

Die Ventile können auf der modularen pneumatischen Grundschiene Typ MP05 zu Ventilblöcken montiert werden.

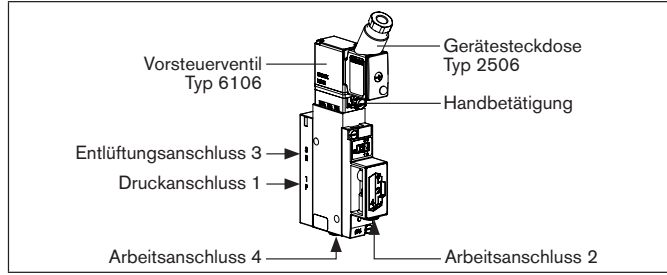
### 5.1 Aufbau der Standard-Ausführungen

#### 5.1.1 Anschlüsse

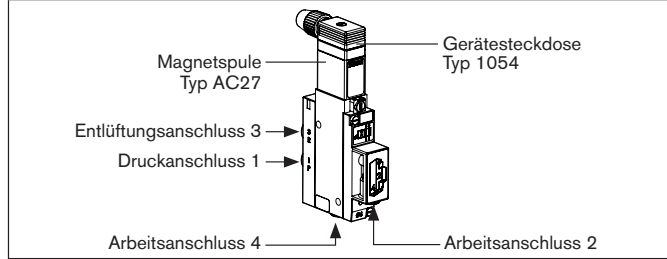
Alle Anschlüsse sind auf der Ventiloberfläche mit Nummern gekennzeichnet. Diese verweisen auf folgende Funktionen:

Nummer	Funktion
1	Druckanschluss
2 und 4	Arbeitsanschluss
3	Entlüftungsanschluss

5.1.2 Aufbau Magnetventil Typ 5470



5.1.3 Aufbau Magnetventil Typ 0470



5.2 Wirkungsweisen

C		<b>3/2-Wege-Ventil</b> In Ruhestellung Druckanschluss 1 geschlossen, Arbeitsanschluss 2 nach Anschluss 3 offen.
D		<b>3/2-Wege-Ventil</b> In Ruhestellung Druckanschluss 1 nach Arbeitsanschluss 2 geöffnet, Anschluss 3 geschlossen.
G		<b>4/2-Wege-Ventil</b> in Ruhestellung Druckanschluss 1 nach Arbeitsanschluss 2 geöffnet, Arbeitsanschluss 4 nach Ausgang 3 geöffnet.

deutsch

17

6 TECHNISCHE DATEN

6.1 Konformität

Das Magnetventil Typ 0470, 5470 ist konform zu den EG-Richtlinien entsprechend der EG-Konformitätserklärung.

6.2 Normen

Die angewandten Normen, mit denen die Konformität mit den EG-Richtlinien nachgewiesen wird, sind in der EG-Baumusterprüfbescheinigung und/oder der EG-Konformitätserklärung nachzulesen.

6.3 Typschild

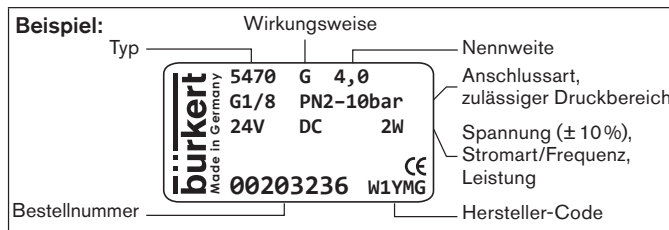


Bild 1: Beispiel eines Typschilds des vorgesteuerten Magnetventils Typ 5470

6.4 Betriebsbedingungen

Bitte die Angaben auf dem Datenblatt und dem Typschild beachten.

Umgebungs-temperatur	-10 °C ... +55 °C (bitte Temperatureinschränkungen aufgrund von Zulassungen beachten)
Zulässige Mediumstemp.	-10 °C ... +50 °C
Druckluftqualität	ISO 8573-1:2010, Klasse 7.4.4 <sup>1)</sup>
Zulässige Medien	Gefilterte Druckluft geölt und ungeölt, neutrale Gase
Zulässiger Druckbereich	Angaben auf Typschild beachten Druckdifferenz mindestens 2 bar zwischen Anschlüssen 1 und 3
Schutzart	IP65 nach DIN EN 60529 / IEC 60529 mit sachgemäß angeschlossener und montierter Gerätesteckdose, z. B. Bürkert Typ 2506
Betriebsdauer	Wenn auf dem Typschild nicht anders angegeben, ist das Magnetsystem für Dauerbetrieb geeignet

<sup>1)</sup> Um ein Vereisen der expandierten Druckluft zu vermeiden, **mus**s deren Drucktaupunkt **mindestens 10 K niedriger als die Mediumtemperatur** sein.

18

deutsch

**Wichtiger Hinweis für die Funktionssicherheit bei Dauerbetrieb!**  
Bei langem Stillstand wird eine Mindestbetätigung von 1-2 Schaltungen pro Tag empfohlen.

Lebensdauer:

Hohe Schaltfrequenz und hohe Drücke verringern die Lebensdauer. Die Ventile arbeiten wartungsfrei.

6.5 Werkstoffe

Gehäusewerkstoff: PA  
Dichtwerkstoff: NBR

7 MONTAGE

7.1 Sicherheitshinweise

**GEFAHR!**

**Verletzungsgefahr durch hohen Druck in der Anlage!**

▶ Vor dem Lösen von Leitungen oder Ventilen den Druck abschalten und Leitungen entlasten.

**Verletzungsgefahr durch Stromschlag!**

▶ Vor Eingriffen in das Gerät oder die Anlage Spannung abschalten und vor Wiedereinschalten sichern!  
▶ Die geltenden Unfallverhütungs- und Sicherheitsbestimmungen für elektrische Geräte beachten!

**WARNUNG!**

**Verletzungsgefahr durch stark beschleunigte Geräteteile und nicht verbundene herumschlagende Druckluftschläuche!**

▶ Vor Beaufschlagen des Ventils mit Druck alle Schlauchverbindungen und Verschraubungen auf festen, sicheren Sitz überprüfen.

**Verletzungsgefahr bei unsachgemäßer Montage!**

▶ Die Montage darf nur autorisiertes Fachpersonal mit geeignetem Werkzeug durchführen!

deutsch

19



**Verletzungsgefahr durch ungewolltes Einschalten der Anlage und unkontrollierten Wiederanlauf!**

- ▶ Anlage vor unbeabsichtigtem Betätigen sichern.
- ▶ Nach der Montage einen kontrollierten Wiederanlauf gewährleisten.

**7.2 Typ 5470, Drehen der Magnetspule**

Die Ventile werden fertig montiert geliefert. Sollte die Lage der Magnetspule des Vorsteuerventils für die Montage ungünstig sein, kann die Spule um 180° gedreht werden.



**WARNUNG!**

**Gefahr durch Stromschlag bei falscher Montage der Spule!**

- ▶ Bei der Montage beachten, dass die Spule fest auf dem Ventilkörper aufsitzt, damit der Schutzleiteranschluss der Spule Verbindung zum Ventilgehäuse hat.
- ▶ Schutzleiterfunktion prüfen (Prüfwerte siehe „Tab. 1“ auf Seite 23).

- Schrauben M2 lösen und Spule vom Ventilkörper abziehen.
- Spule drehen, auf Ventilkörper aufsetzen und mit Schrauben M2 **abwechselnd stufenweise** verschrauben. Dabei Anziehdrehmoment beachten:

- Anziehdrehmoment 1. Stufe 0,1 Nm (± 0,05 Nm),
- 2. Stufe 0,2 Nm (± 0,05 Nm).

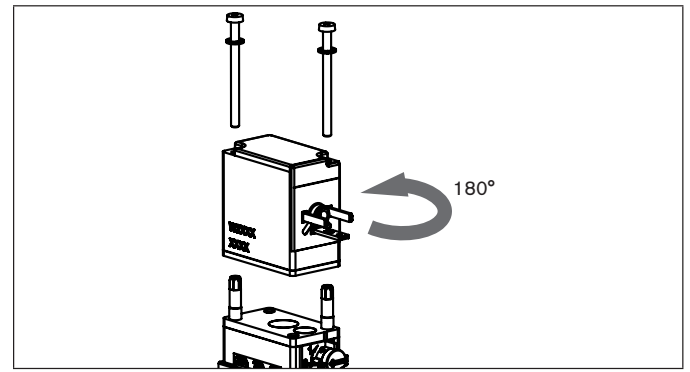
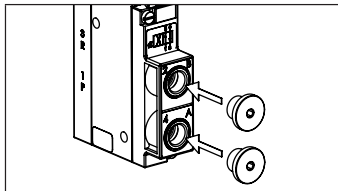
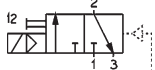
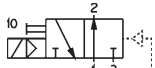


Bild 2: Typ 5470: Magnetspule des Vorsteuerventils kann um 180° gedreht werden

**7.3 Umbau von 4/2- in 3/2-Wege-Ventil**



Zum Umbau des 4/2-Wege-Ventils in ein 3/2-Wege-Ventil muss je nach gewünschter Wirkungsweise Anschluss 2 oder Anschluss 4 mit einem Stopfen verschlossen werden.

Anschluss 2	Anschluss 4	Wirkungsweise
verschlossen	offen	C 
offen	verschlossen	D 

**7.4 Pneumatischer Anschluss**



**WARNUNG!**

**Verletzungsgefahr durch stark beschleunigte Geräteteile und nicht verbundene herumschlagende Druckluftschläuche!**

- ▶ Vor Beaufschlagen des Ventils mit Druck alle Schlauchverbindungen und Verschraubungen auf festen, sicheren Sitz überprüfen.

Einbaulage: beliebig, vorzugsweise Magnetsystem oben.

**Vor dem Anschluss:**

- Schlauchleitungen auf Verschmutzungen überprüfen und reinigen.
- Vor den Ventileingang einen Schmutzfilter einbauen (≤ 5 µm).

**Pneumatischer Anschluss:**

**HINWEIS!**

**Vorsicht Bruchgefahr!**

- ▶ Spule nicht als Hebelarm benutzen.
- ▶ Beim Einschrauben keine Rohrzanze verwenden.

- Das Gerät von Hand **am Gehäuse** festhalten und mit der Schlauchleitung verbinden. Dabei Normeinschraubtiefe nicht überschreiten.

- Zum Abdichten Elastomerdichtung oder PTFE-Band verwenden.
- Die Zuordnung der Anschlüsse beachten (siehe Kapitel „5.1.1 Anschlüsse“ auf Seite 16).
- Schlauchleitungen ausrichten.

**7.5 Elektrischer Anschluss**



**WARNUNG**

**Verletzungsgefahr durch Stromschlag!**

- ▶ Vor Eingriffen in das System die elektrische Spannung abschalten und vor Wiedereinschalten sichern!
- ▶ Die geltenden Unfallverhütungs- und Sicherheitsbestimmungen für elektrische Geräte beachten!
- ▶ Achten Sie beim Verschrauben der Spule mit der Gerätesteckdose auf einen einwandfreien Sitz der Dichtung.

Bei fehlendem Schutzleiterkontakt zwischen Spule und Gehäuse besteht die Gefahr eines Stromschlags!

- ▶ Schutzleiter immer anschließen.
- ▶ Elektrischen Durchgang zwischen Spule und Gehäuse prüfen.

**7.5.1 Anschluss der Gerätesteckdose**

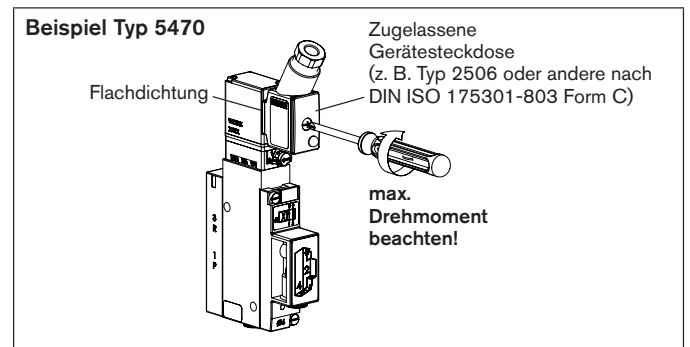


Bild 3: Anschluss der Gerätesteckdose am Beispiel Typ 5470

- Gerätesteckdose (zugelassene Typen siehe Datenblatt) festschrauben, dabei maximales Drehmoment von 0,3 Nm beachten.
- Korrekten Sitz der Dichtung überprüfen.
- Schutzleiter anschließen und elektrischen Durchgang zwischen Spule und Gehäuse prüfen (s. „Tab. 1“).

**HINWEIS!**

Zeigt im montierten Zustand die Schraube der Gerätesteckdose nach oben, fügen Sie eine Dichtung aus einem mit Ihrem Prozess kompatiblen Werkstoff unter dem Schraubenkopf ein.

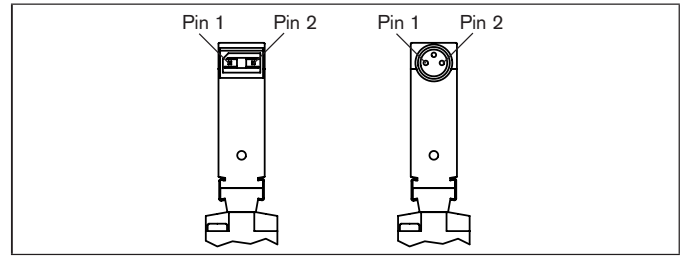
**!** Spannung und Stromart laut Typschild beachten.

Widerstand	Prüfspannung	Prüfstrom
max. 0,1 Ω	12 V	1 A

Tab. 1: Prüfwerte Schutzleiterfunktion

**7.6 Ansteuerung Impulsausführung**

**!** Richtige Polarität ist Voraussetzung für die Funktion des Geräts: Kennzeichnung auf der Spulenoberfläche beachten. Impulsdauer mindestens 50 ms.



Steckerbelegung	Auswirkung	
(+ auf Pin 2 (-) auf Pin 1	Vorsteuerventil geöffnet	1-3 WWG
		2-3 WWG
(+ auf Pin 1 (-) auf Pin 2	Vorsteuerventil geschlossen	1-4 WWC
		1-2 WWG
		4-3 WWG

deutsch

**8 HANDBETÄTIGUNG**

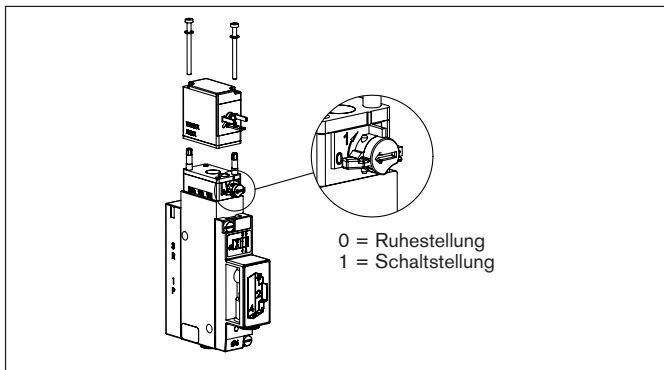


Bild 4: Handbetätigung am Beispiel Typ 5470

**9 DEMONTAGE**

Die Demontage erfolgt in entgegengesetzter Reihenfolge zur Montage.

**10 WARTUNG, FEHLERBEHEBUNG**

Wenn für den Einsatz des Ventils die Hinweise dieser Bedienungsanleitung beachtet werden, arbeitet das Ventil wartungsfrei.

**10.1 Sicherheitshinweise**

**!** **WARNUNG!**

- Verletzungsgefahr bei unsachgemäßen Wartungsarbeiten!**
  - ▶ Die Wartung darf nur autorisiertes Fachpersonal mit geeignetem Werkzeug durchführen!
- Verletzungsgefahr durch Stromschlag!**
  - ▶ Vor Eingriffen in das Gerät oder die Anlage Spannung abschalten und vor Wiedereinschalten sichern!
- Gefahr durch hohen Druck!**
  - ▶ Vor dem Lösen von Leitungen oder Ventilen den Druck abschalten und Leitungen entlasten.
- Verletzungsgefahr durch ungewolltes Einschalten der Anlage und unkontrollierten Wiederanlauf!**
  - ▶ Anlage vor unbeabsichtigtem Betätigen sichern.
  - ▶ Nach der Wartung einen kontrollierten Wiederanlauf gewährleisten.

deutsch

**10.2 Störungen**

Bei Störungen überprüfen ob:

- das Gerät vorschriftsmäßig installiert ist,
- der elektrische und pneumatische Anschluss ordnungsgemäß ausgeführt ist,
- das Gerät nicht beschädigt ist,
- alle Schrauben fest angezogen sind,
- Spannung und Druck anliegen,
- die Rohrleitungen schmutzfrei sind,
- die Handbetätigung in Ruhestellung steht.

**Ventil schaltet nicht**

Mögliche Ursache:

- Kurzschluss oder Spulenunterbrechung,
- Kern oder Kernraum verschmutzt,
- Mediumsdruck außerhalb des zulässigen Druckbereichs.

**Ventil schließt nicht**

Mögliche Ursache:

- Innenraum des Ventils verschmutzt.

**11 TRANSPORT, LAGERUNG, ENTSORGUNG**

**HINWEIS!**

**Transportschäden!**

Unzureichend geschützte Geräte können durch den Transport beschädigt werden.

- ▶ Gerät vor Nässe und Schmutz geschützt in einer stoßfesten Verpackung transportieren.
- ▶ Eine Über- bzw. Unterschreitung der zulässigen Lagertemperatur vermeiden.
- ▶ Elektrische Schnittstellen der Spule und die pneumatischen Anschlüsse mit Schutzkappen vor Beschädigungen schützen.

**Falsche Lagerung kann Schäden am Gerät verursachen.**

- ▶ Gerät trocken und staubfrei lagern!
- ▶ Lagertemperatur -40 °C ... +80 °C.

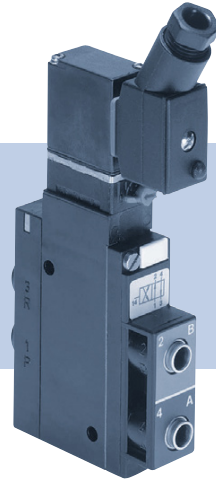
**Umweltschäden durch von Medien kontaminierte Geräteteile.**

- ▶ Gerät und Verpackung umweltgerecht entsorgen!
- ▶ Geltende Entsorgungsvorschriften und Umweltbestimmungen einhalten.

deutsch

## Type 0470, 5470

3/2 or 4/2 way solenoid valve  
3/2- bzw. 4/2-Wege-Magnetventil  
Électrovanne 3/2 ou 4/2 voies



### Operating Instructions

Bedienungsanleitung  
Manuel d'utilisation

FR

Bürkert Fluid Control Systems  
Sales Center  
Christian-Bürkert-Str. 13-17  
D-74653 Ingelfingen  
Tel. + 49 (0) 7940 - 10 91 111  
Fax + 49 (0) 7940 - 10 91 448  
E-mail: info@de.buerkert.com

**International address**  
www.burkert.com

Manuals and data sheets on the Internet: www.burkert.com  
Bedienungsanleitungen und Datenblätter im Internet: www.buerkert.de  
Manuels et fiches techniques sur Internet : www.buerkert.fr

© Bürkert Werke GmbH & Co. KG, 2011 - 2017  
Operating Instructions 1701 / FI\_008EHI / Original DE

## 1 MANUEL D'UTILISATION

Le manuel d'utilisation contient des informations importantes.

- ▶ Lire attentivement le manuel d'utilisation et tenir compte des consignes de sécurité.
- ▶ Le manuel d'utilisation doit être mis à disposition de chaque utilisateur.
- ▶ La responsabilité et la garantie légale concernant le type 0470, 5470 sont exclues en cas de non-respect des instructions figurant dans le manuel d'utilisation.

### 1.1 Symboles

- ▶ identifie une consigne pour éviter un danger.
- identifie une opération que vous devez effectuer.

Mise en garde contre les blessures graves ou mortelles :



**DANGER !**

En cas de danger imminent.



**AVERTISSEMENT !**

En cas de danger possible.

Mise en garde contre les blessures légères ou moyennement graves :



**ATTENTION !**

Mise en garde contre les dommages matériels :

**REMARQUE !**

### 1.2 Définition du terme « appareil »

Le terme « appareil » utilisé dans ce manuel désigne toujours les types 0470 et 5470.

26

## 2 UTILISATION CONFORME

L'utilisation non conforme de l'électrovanne types 0470, 5470 peut présenter des risques pour les personnes, les installations proches et l'environnement.

- ▶ L'appareil sert exclusivement d'électrovanne 3/2 ou 4/2 voies pour les fluides autorisés conformément à la fiche technique du type correspondant.
- ▶ Avec un connecteur connecté et monté de manière conforme, par ex. le type 2506 de Bürkert (pour le type 5470) ou le type 1054 (pour le type 0470), l'appareil est conforme au degré de protection IP65 selon DIN EN 60529 / IEC 60529.
- ▶ Dans une zone exposée à un risque d'explosion, l'appareil doit impérativement être utilisé conformément à la spécification indiquée sur la plaque signalétique de sécurité séparée. L'information supplémentaire comportant des consignes de sécurité pour zone présentant des risques d'explosion, fournie avec l'appareil, doit être respectée lors de l'utilisation de celui-ci.
- ▶ Les appareils sans plaque signalétique de sécurité séparée ne doivent pas être installés dans une zone soumise à un risque d'explosion.
- ▶ Lors de l'utilisation, il convient de respecter les données et conditions d'utilisation et d'exploitation admissibles spécifiées dans les documents contractuels, la fiche technique et le manuel d'utilisation.
- ▶ L'appareil doit être utilisé seulement de façon conforme.

français

- ▶ Les conditions pour l'utilisation sûre et parfaite sont un transport, un stockage et une installation dans les règles ainsi qu'une utilisation et une maintenance parfaites.

### 2.1 Limitations

Lors de l'exportation de l'appareil veuillez respecter les limitations éventuelles existantes.

## 3 CONSIGNES DE SÉCURITÉ FONDAMENTALES

Ces consignes de sécurité ne tiennent pas compte des hasards et des événements pouvant survenir lors du montage, de l'exploitation et de la maintenance.



**Danger dû à la haute pression !**

- ▶ Avant de desserrer les conduites ou les vannes, couper la pression et purger l'air des conduites.

**Danger présenté par la tension électrique !**

- ▶ Avant d'intervenir dans l'appareil ou l'installation, coupez la tension et empêchez toute remise sous tension par inadvertance !
- ▶ Respectez les réglementations en vigueur pour les appareils électriques en matière de prévention des accidents et de sécurité !

**Risque de blessures dû à des pièces d'appareil soumises à une forte accélération !**

- ▶ Avant d'appliquer la pression à la vanne, vérifier que tous les raccords de flexible et raccords à vis sont correctement en place.

**Risque de brûlures/d'incendie en fonctionnement continu dû à des surfaces d'appareil brûlantes !**

Tenez les substances et les fluides facilement inflammables à l'écart de l'appareil et ne touchez pas ce dernier à mains nues.

**Pour prévenir les blessures/dommages matériels, veuillez tenir compte de ce qui suit :**

- ▶ Ne pas entreprendre de modifications internes ou externes sur l'appareil et le protéger contre tout actionnement involontaire.
- ▶ Les travaux d'installation et de maintenance doivent être effectués uniquement par des techniciens qualifiés et habilités disposant de l'outillage approprié.
- ▶ Après une interruption de l'alimentation électrique ou pneumatique, un redémarrage défini ou contrôlé du processus doit être garanti.
- ▶ Ne pas exposer le corps de la vanne à des charges mécaniques.
- ▶ Respecter les règles générales de la technique.

français

27

## 4 HOMOLOGATIONS

Le marquage d'homologation apposé sur les plaques signalétiques Bürkert se rapporte aux produits Bürkert. Les appareils portant la marque e1 ont été homologués au Service fédéral de la circulation automobile (Kraftfahrtbundesamt) sous le numéro

**e1\*72/245\*2006/96\*5791\*00**

et seront mis en circulation avec la marque d'homologation indiquée

e1

035791

Vous recevrez un extrait de l'homologation à l'adresse cidessous :

Bürkert Werke GmbH  
CQ-Approval Management  
Christian-Bürkert-Str.13-17  
D-74653 Ingelfingen

## 5 STRUCTURE ET MODE DE FONCTIONNEMENT

Les vannes peuvent être montées sur le rail de base pneumatique modulaire de type MP05 pour former des blocs de vannes.

### 5.1 Structure des versions standard

#### 5.1.1 Raccords

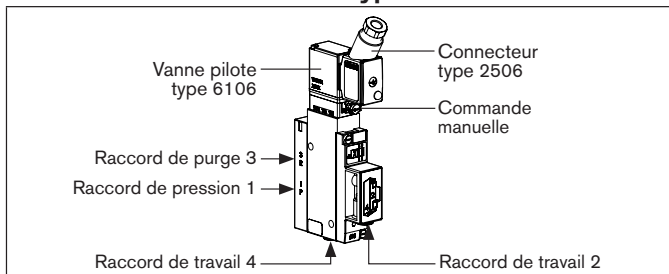
Tous les raccords sont identifiés par des chiffres sur la surface de la vanne. Ceux-ci renvoient aux fonctions suivantes :

Chiffre	Fonction
1	Raccord de pression
2 und 4	Raccord de travail
3	Raccord de purge

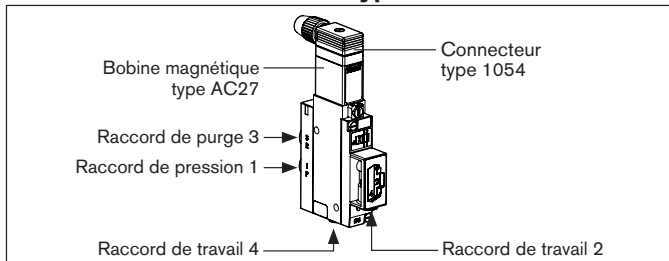
28

français

### 5.1.2 Ensemble de vanne type 5470



### 5.1.3 Ensemble de vanne type 0470



### 5.2 Fonctions

C		<b>Vanne 3/2 voies.</b> Au repos, le raccord de pression 1 est fermé, le raccord de travail 2 est connecté au raccord de purge 3.
D		<b>Vanne 3/2 voies.</b> Au repos, le raccord de pression 1 est connecté au raccord de travail 2, le raccord de purge 3 est fermé.
G		<b>Vanne 4/2 voies.</b> Au repos, le raccord de pression 1 est connecté au raccord de travail 2, le raccord de travail 4 est connecté au raccord de purge 3.

français

29

## 6 CARACTÉRISTIQUES TECHNIQUES

### 6.1 Conformité

L'électrovanne types 0470, 5470 satisfait aux directives CE conformément à la déclaration de conformité CE.

### 6.2 Normes

Les normes utilisées, avec lesquelles la conformité avec les directives CE sont prouvées, figurent dans l'attestation CE de type et/ou la déclaration de conformité CE.

### 6.3 Plaque signalétique

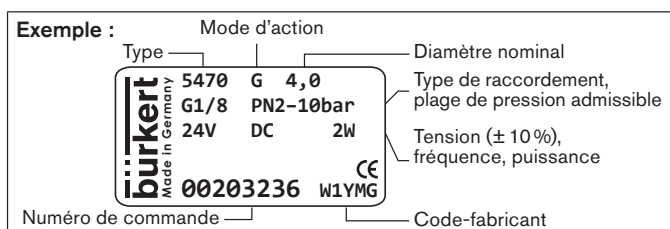


Fig. 1 : Exemple plaque signalétique de l'électrovanne pilotée type 5470

### 6.4 Conditions d'exploitation

⚠ Veuillez respecter les indications figurant sur la fiche technique et la plaque signalétique.

Température ambiante	-10 °C ... +55 °C (veuillez observer les limitations de température reposant sur les homologations)
Temp. de fluide admissible	-10 °C ... +50 °C
Qualité de l'air comprimé	ISO 8573-1:2010, classe 7.4.4 <sup>1)</sup>
Fluides autorisés	Air comprimé filtré lubrifié et non lubrifié, gaz neutres
Plage de pression admissible	Respecter les indications sur la plaque signalétique Différence de pression minimale de 2 bars entre les raccords 1 et 3
Degré de protection	IP65 selon DIN EN 60529 / IEC 60529 avec un connecteur connecté et monté de manière conforme, par ex. le type 2506 de Bürkert
Durée de fonctionnement	Si aucune information contraire ne figure sur la plaque signalétique, le système magnétique est adapté à un fonctionnement continu

<sup>1)</sup> Pour éviter le givrage de l'air comprimé détendu, son point de rosée **doit** être **inférieur d'au moins 10 K par rapport à la température du fluide.**

30

français

⚠ Remarque importante pour la sécurité de fonctionnement lors d'un fonctionnement continu ! Dans le cas d'un arrêt prolongé, il est recommandé de procéder à 1 - 2 commutations minimum par jour.

**Durée de vie :** Une fréquence élevée de commutation ainsi que des pressions élevées réduisent la durée de vie.  
Les vannes ne nécessitent aucune maintenance.

### 6.5 Matériaux

Matériau du corps : PA  
Matériau du joint : NBR

## 7 MONTAGE

### 7.1 Consignes de sécurité

⚠ **DANGER !**

**Risque de blessures dû à la présence de haute pression dans l'installation !**

▶ Avant de desserrer les conduites ou les vannes, couper la pression et purger l'air des conduites.

**Risque de choc électrique !**

▶ Avant d'intervenir dans l'appareil ou l'installation, coupez la tension et empêchez toute remise sous tension par inadvertance !  
▶ Respectez les réglementations en vigueur pour les appareils électriques en matière de prévention des accidents et de sécurité !

⚠ **AVERTISSEMENT !**

**Risque de blessures dû à des pièces d'appareil soumises à une forte accélération et à la présence de flexibles d'air comprimé non raccordés qui vont dans tous les sens !**

▶ Avant d'appliquer la pression à la vanne, vérifiez que tous les raccords de flexible et raccords à vis sont correctement en place.

**Risque de blessures dû à un montage non conforme !**

▶ Le montage doit être effectué uniquement par un personnel qualifié et habilité disposant de l'outillage approprié !

français

31

**Risque de blessures dû à la mise en marche involontaire de l'installation et au redémarrage non contrôlé !**

- ▶ Empêcher tout actionnement involontaire de l'appareil.
- ▶ Garantir un redémarrage contrôlé après le montage.

**7.2 Type 5470, rotation de la bobine magnétique**

Les vannes sont livrées déjà montées. Si la position de la bobine magnétique de la vanne pilote était défavorable pour effectuer le montage, il est possible de la tourner de 180°.

**AVERTISSEMENT !****Risque de choc électrique en cas de montage erroné de la bobine !**

- ▶ Lors du montage, veiller à ce que la bobine soit fermement en contact avec le corps de la vanne pour que le raccord du conducteur de protection de la bobine soit relié au corps de la vanne.
- ▶ Contrôler la fonction du conducteur de protection (valeurs d'essai, voir « Tab. 1 », page 35).

- Desserrer les vis M2 et retirer la bobine du corps de la vanne.
- Tourner la bobine, la mettre en place sur le corps de la vanne et la visser progressivement et en alternant à l'aide des vis M2. Ce faisant, respecter le couple de serrage :

Couple de serrage 1<sup>er</sup> niveau 0,1 Nm ( $\pm 0,05$  Nm),  
2<sup>ème</sup> niveau 0,2 Nm ( $\pm 0,05$  Nm).

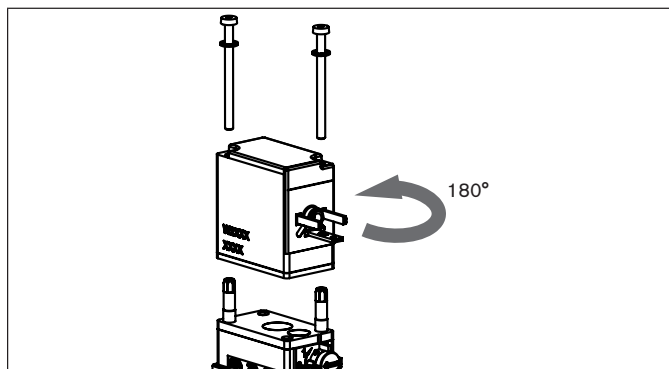
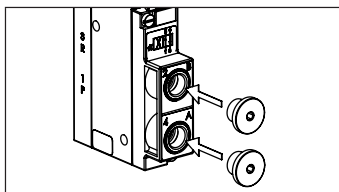


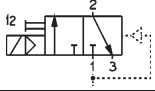

Fig. 2 : Typ 5470: La bobine magnétique de la vanne pilote peut être tournée de 180°

32

français

**7.3 Transformation de la vanne à 4/2 voies en 3/2 voies**

Pour transformer la vanne 4/2 voies en 3/2 voies, il convient d'obturer le raccord 2 ou le raccord 4 avec un bouchon selon la fonction souhaitée.

Raccord 2	Raccord 4	Fonction
fermé	ouvert	C 
ouvert	fermé	D 

**7.4 Raccordement pneumatique****AVERTISSEMENT !**

**Risque de blessures dû à des pièces d'appareil soumises à une forte accélération et à la présence de flexibles d'air comprimé non raccordés qui vont dans tous les sens !**

- ▶ Avant d'appliquer la pression à la vanne, vérifier que tous les raccords de flexible et raccords à vis sont correctement en place.

Position de montage au choix, de préférence système magnétique vers le haut.

**Avant le raccordement :**

- Contrôler la présence d'encrassement au niveau des tuyaux flexibles et nettoyer le cas échéant.
- Si nécessaire, installer un filtre à boue en amont de l'entrée de vanne ( $\leq 5 \mu\text{m}$ ).

**Raccordement pneumatique :****REMARQUE !****Attention risque de rupture !**

- ▶ Ne pas utiliser la bobine comme levier.
- ▶ Ne pas utiliser de clé à tubes lors du vissage.

- Maintenir l'appareil à la main **au niveau du corps de la vanne** et le raccorder au tuyau flexible. Ne pas dépasser la profondeur de vissage prescrite.
- Utiliser une bande PTFE ou un joint en élastomère pour étancher.
- Respecter l'affectation des raccords (voir chapitre « 5.1.1 Raccords », page 28).
- Aligner les tuyaux flexibles.

**7.5 Raccordement électrique****AVERTISSEMENT****Risque de choc électrique !**

- ▶ Avant d'intervenir dans le système, coupez la tension et empêchez toute remise sous tension par inadvertance !
- ▶ Respectez les réglementations en vigueur pour les appareils électriques en matière de prévention des accidents et de sécurité !
- ▶ Lorsque vous vissez la bobine avec la prise de l'appareil, veillez au positionnement parfait du joint.

Il y a risque de choc électrique en l'absence d'un contact du conducteur de protection entre la bobine et le corps de la vanne!

- ▶ Raccordez toujours le conducteur de protection.
- ▶ Contrôlez le passage du courant entre la bobine et le corps de la vanne.

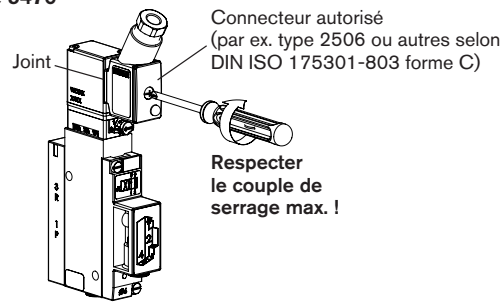
**7.5.1 Raccordement électrique du connecteur****Exemple type 5470**

Fig. 3 : Raccordement électrique du connecteur, exemple type 5470

- Visser le connecteur (types admissibles, voir fiche technique) en respectant le couple de serrage maximal (0,3 Nm).
- Vérifier le bon positionnement du joint.
- Raccorder le conducteur de protection et vérifier le passage du courant entre la bobine et le corps (voir « Tab. 1 »).

34

français



**REMARQUE !**

Si vous montez le connecteur de sorte que la vis est dirigée vers le haut, il convient d'insérer un joint dont le matériau est compatible avec votre process sous la tête de vis.



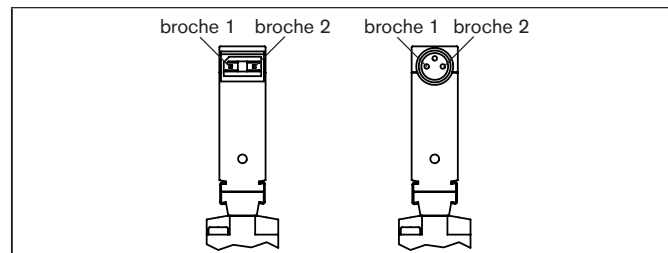
Respecter la tension et le type de courant selon la plaque signalétique.

Résistance	Tension d'essai	Courant d'essai
max. 0,1 Ω	12 V	1 A

Tab. 1 : Valeurs d'essai de la fonction de conducteur de protection

**7.6 Commande exécution à impulsions**

La polarité correcte est la condition sine qua non du fonctionnement de l'appareil : respecter l'identification figurant sur la surface de la bobine. Durée d'impulsion minimale 50 ms.



Affectation des connecteurs	Effet	
(+) sur broche 2 (-) sur broche 1	Vanne pilote ouverte	1-3 FG
		2-3 FG
	Vanne pilote fermée	1-4 FC
(+) sur broche 1 (-) sur broche 2		1-2 FG
		4-3 FC

français

35

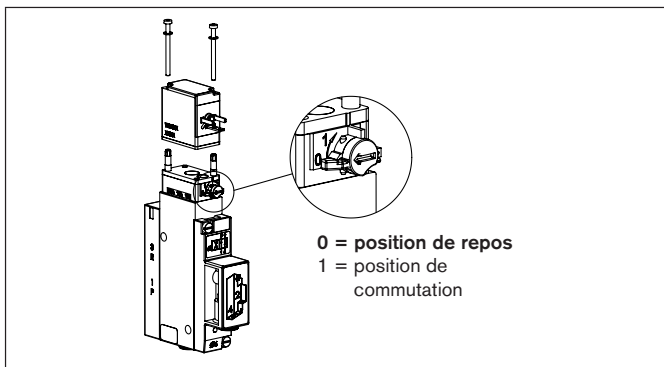
**8 COMMANDE MANUELLE**

Fig. 4 : Commande manuelle en prenant pour exemple le type 5470

**9 DÉMONTAGE**

Le démontage s'effectue dans le sens inverse du montage.

**10 MAINTENANCE, DÉPANNAGE**

A condition de respecter les consignes de ce manuel d'utilisation, la vanne fonctionne sans nécessiter aucune maintenance.

**10.1 Consignes de sécurité****AVERTISSEMENT !**

**Risque de blessures dû à des travaux de maintenance non conformes !**

▶ La maintenance doit être effectuée uniquement par un personnel qualifié et habilité disposant de l'outillage approprié !

**Risque de choc électrique !**

▶ Avant d'intervenir dans l'appareil ou l'installation, coupez la tension et empêchez toute remise sous tension par inadvertance !

**Danger dû à la haute pression !**

▶ Avant de desserrer les conduites ou les vannes, couper la pression et purger l'air des conduites.

**Risque de blessures dû à la mise en marche involontaire de l'installation et au redémarrage non contrôlé !**

▶ Empêcher tout actionnement involontaire de l'appareil.

▶ Garantir un redémarrage contrôlé après la maintenance.

36

français

**10.2 Pannes**

Lors d'incidents, vérifier que :

- l'appareil est installé dans les règles,
- les raccordements électrique et pneumatique ont été effectués correctement,
- l'appareil n'est pas endommagé,
- toutes les vis sont bien serrées,
- la tension et la pression sont disponibles,
- les tuyauteries sont propres,
- la commande manuelle se trouve en position de repos.

**La vanne ne s'enclenche pas**

Cause possible :

- court-circuit ou coupure de la bobine,
- noyau ou cœur encrassé,
- pression du fluide hors de la plage de pression autorisée.

**La vanne ne se ferme pas**

Cause possible :

- intérieur de la vanne encrassé.

**11 TRANSPORT, STOCKAGE, ÉLIMINATION****REMARQUE !****Dommages dus au transport !**

Les appareils insuffisamment protégés peuvent être endommagés pendant le transport.

- ▶ Transporter l'appareil à l'abri de l'humidité et des impuretés et dans un emballage résistant aux chocs.
- ▶ Veiller à ce que la température de stockage ne se situe ni au-dessus ni en dessous de la température de stockage admissible.
- ▶ Protéger les interfaces électriques de la bobine et les raccords pneumatiques avec des capuchons de protection pour éviter tout endommagement.

**Un mauvais stockage peut endommager l'appareil.**

- ▶ Stocker l'appareil au sec et à l'abri des poussières !
- ▶ Température de stockage -40 °C ... +80 °C.

**Dommages sur l'environnement causés par des pièces d'appareil contaminées par des fluides.**

- ▶ Éliminer l'appareil et l'emballage dans le respect de l'environnement !
- ▶ Respecter les prescriptions en matière d'élimination des déchets et de protection de l'environnement en vigueur.

français

37