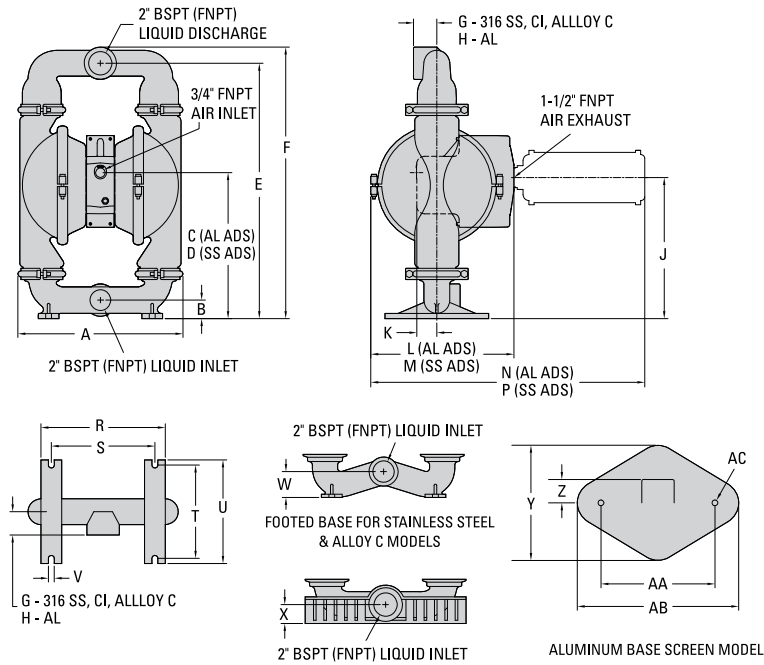


PS8 ORIGINAL METAL PUMP

51 mm (2") Pump
Maximum Flow Rate:
723 lpm (191 gpm)

DIMENSIONAL DRAWING

PS8 Metal



DIMENSIONS

ITEM	METRIC (mm)	STANDARD (inch)
A	404	15.9
B	45	1.8
C	358	14.1
D	363	14.3
E	630	24.8
F	668	26.3
G	58	2.3
H	64	2.5
J	346	13.6
K	48	1.9
L	351	13.8
M	339	13.3
N	672	26.4
P	659	26
R	315	12.4
S	257	10.1
T	231	9.1
U	257	10.1
V	15	0.6
W	64	2.5
X	51	2
Y	284	11.2
Z	58	2.3
AA	279	11
AB	396	15.6
AC	15 DIA.	0.6 DIA.

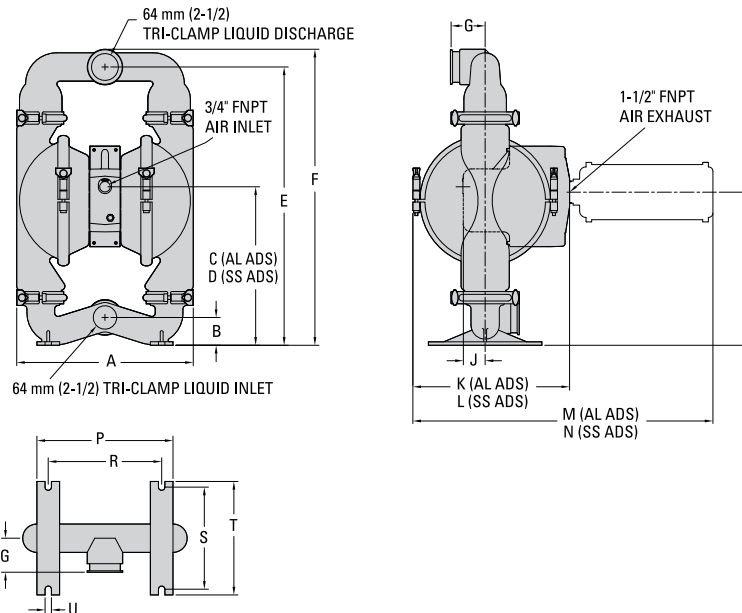
LW0234 REV. A

PUMP DATA

Specifications:

Height 668 mm (26.3")
 Width 404 mm (15.9")
 Depth
 Aluminum ADS 351 mm (13.8")
 Stainless Steel ADS 339 mm (13.3")
 Est. Ship Weight.....
 Aluminum 35 kg (78 lbs)
 316 Stainless Steel 53 kg (117 lbs)
 Cast Iron 49 kg (109 lbs)
 Alloy C 54 kg (119 lbs)
 Air Inlet3/4"
 Liquid Inlet.....2"
 Liquid Outlet.....2"

PS8 Metal Saniflo™



DIMENSIONS

ITEM	METRIC (mm)	STANDARD (inch)
A	408	16.1
B	64	2.5
C	355	14
D	361	14.2
E	625	24.6
F	665	26.2
G	76	3
H	343	13.5
J	48	1.9
K	351	13.8
L	339	13.3
M	672	26.4
N	659	26
P	305	12
R	254	10
S	229	9
T	254	10
U	15 DIA.	0.6 DIA.

LW0235 REV. A

