

PS4 PLASTIC PUMP

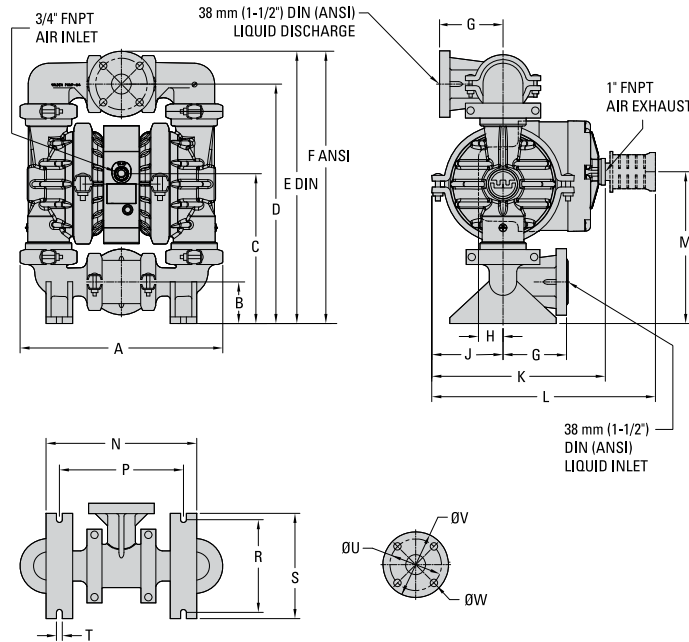
**38 mm (1-1/2") Pump**  
**Maximum Flow Rate:**  
**379 lpm (100 gpm)**



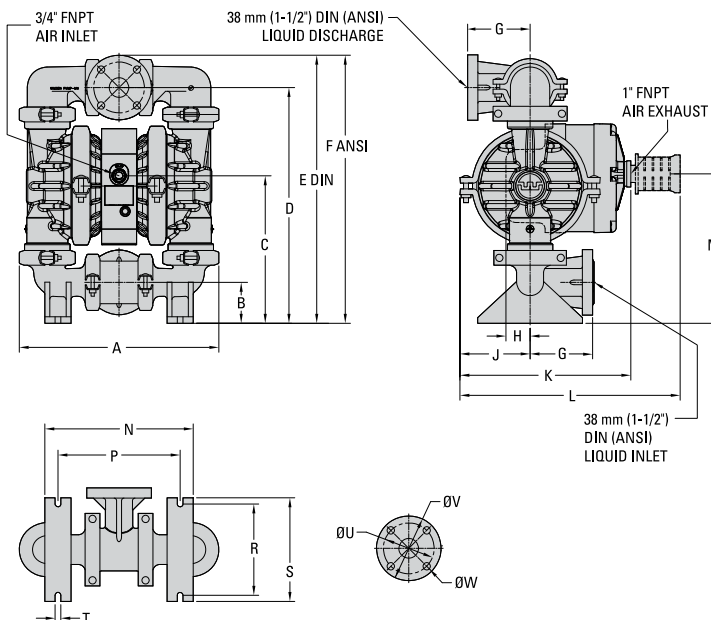
PS4 PLASTIC

**DIMENSIONAL DRAWING**

**PS4 Polypropylene**



**PS4 PVDF**



**DIMENSIONS**

ITEM	METRIC (mm)	STANDARD (inch)
A	394	15.5
B	79	3.1
C	304	12.0
D	465	18.3
E	532	21.0
F	528	20.8
G	122	4.8
H	48	1.9
J	137	5.4
K	331	13.0
L	444	17.5
M	286	11.2
N	287	11.3
P	236	9.3
R	180	7.1
S	204	8.0
T	10	0.4
<b>DIN FLANGE</b>		
U	110 DIA.	4.3 DIA.
V	150 DIA.	5.9 DIA.
W	18 DIA.	0.7 DIA.
<b>ANSI FLANGE</b>		
U	98 DIA.	3.9 DIA.
V	127 DIA.	5.0 DIA.
W	14 DIA.	0.6 DIA.

LW0212 REV. C

**DIMENSIONS**

ITEM	METRIC (mm)	STANDARD (inch)
A	387	15.2
B	79	3.1
C	286	11.3
D	457	18.0
E	531	20.9
F	520	20.5
G	121	4.8
H	47	1.8
J	136	5.4
K	331	13.0
L	427	16.8
M	290	11.4
N	288	11.3
P	237	9.3
R	177	7.0
S	201	7.9
T	11	0.4
<b>DIN FLANGE</b>		
U	108 DIA.	4.3 DIA.
V	148 DIA.	5.8 DIA.
W	18 DIA.	0.7 DIA.
<b>ANSI FLANGE</b>		
U	98 DIA.	3.8 DIA.
V	125 DIA.	4.9 DIA.
W	14 DIA.	0.6 DIA.

LW0214 REV. C

**PUMP DATA**

**Specifications:**

- Ship Weight.....Polypropylene 18 kg (40 lb)  
PVDF 24 kg (52 lb)
- Air Inlet ..... 3/4"
- Liquid Inlet.....38 mm (1-1/2")
- Liquid Outlet.....38 mm (1-1/2")

**PERFORMANCE**

**PS4 PLASTIC  
 FULL-STROKE PTFE-FITTED**

Max. Flow Rate.....368 lpm (98 gpm)  
 Max. Inlet Pressure .....8.6 bar (125 psig)  
 Max. Solids Passage..... 4.8 mm (3/16")  
 Max. Suction Lift.....6.1 m Dry (19.9')  
   8.3 m Wet (27.2')

