



A Classic Pressure Relief Valve.

D60RTHMP

Concept

The D60RTHMP is a spring loaded relief valve.

Working principle

The metal stem plug of the relief valve is held in the closed position by manually adjusted spring tension. As the pipe line pressure increases beyond the springs relief set point, the stem plug is forced open allowing pressure to be relieved through the discharge port. As the pressure lowers below the spring set point, the plug will return to the closed position.

The compression valve is operated by means of a 'tee' handle turning mechanism. This allows the valve to gradually open and close.

Application

The D60RTHMP relief valve is used for sanitary pressure relief of a piping system or pump.

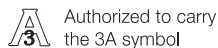


TECHNICAL DATA

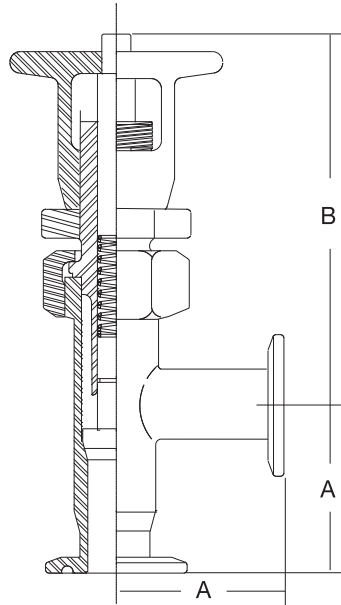
Max. Product Pressure 85 PSI
Min. Product Pressure 5 PSI
Max. Temperature 180 F

PHYSICAL DATA

Types Relief (L-Body)
End Connections Tri-Clamp®
Product Wetted Steel Parts 316L S.S.
Other Steel Parts 304 S.S.
Seat Material 316L S.S.



Dimensions



Relief Valves

Size (Tube OD)		A		B				Approx. Wt.	
in	mm	in	mm	Min.		Max.		lb	kg
1	25.4	2 ³ / ₈	60.3	5 ³ / ₈	136.5	6 ¹ / ₂	165.1	1.88	0.85
1½	38.1	2¾	69.9	7 ³ / ₈	185.7	9	228.6	3.99	1.81
2	50.8	3½	88.9	7 ⁵ / ₈	193.7	9 ⁵ / ₈	244.5	5.49	2.49
2½	63.5	3½	88.9	9 ⁷ / ₈	250.0	12	304.8	8.56	3.88
3	76.2	3¾	95.3	11 ¹ / ₈	282.6	13 ⁷ / ₈	352.4	12.10	5.50

Material: 316L Stainless Steel (Hex Union Nut is 304 S.S.) End Connection: Tri-Clamp®

Relief Spring Options (Range given in PSI)

Size	Std.	A	B	C	D	E
1	5-15	20-35	30-50	40-60	60-75	--
1½	5-25	20-35	30-50	2-8	75-85	50-75
2	5-25	20-35	30-50	50-70	--	--
2½	5-25	20-35	--	--	--	--
3	5-25	25-45	40-60	--	--	75

All dimensions are for identification purposes only.

Options

- Pressure range springs (relief spring chart on page 2)
- BUNA (std.)
- SFY

Ordering

- Please state the following when ordering:
- Valve type.
 - Relief spring rating
 - Elastomers

Alfa Laval reserves the right to change specifications without prior notification. ALFA LAVAL is a trademark registered and owned by Alfa Laval Corporate AB.

ESE02408US 1301

© Alfa Laval



CSI

417.831.1411
csidesigns.com