



P.L. : 1001-E01

Effective
Replaces

September 2020
May 2016

PARTS LIST

PUMPS

C4 A - C8 A - C4 A HT - C8 A HT

Keep this parts lists with Installation, Operation and Maintenance Instructions.

To order the required spare parts, indicate the desired Reference(s).

- ◆ Sets of parts or parts available to order.

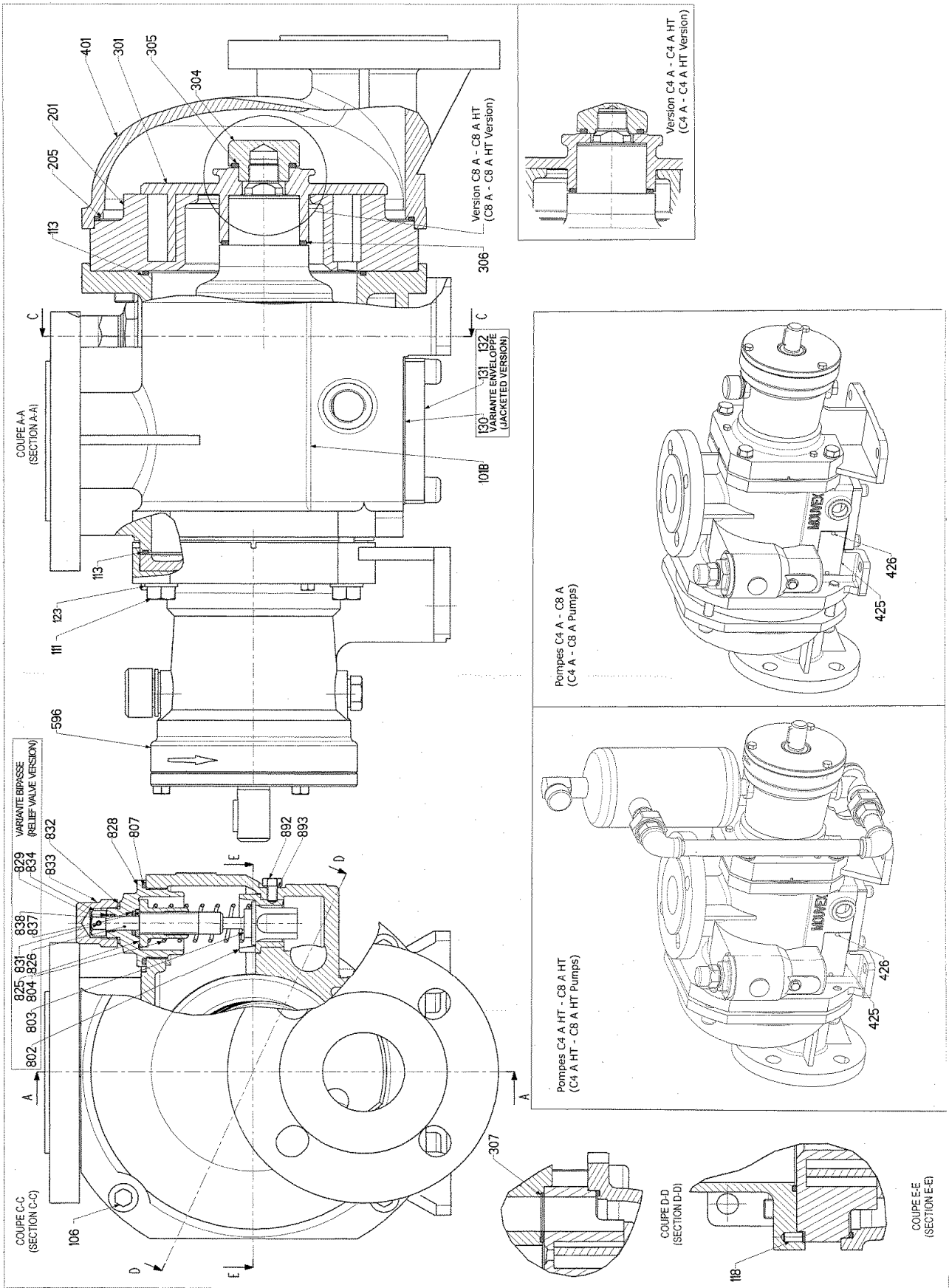
CVT : FEP encapsulated FKM

Z.I. la Plaine des Isles - 2 rue des Caillottes F-89000 AUXERRE - France

Tel : +33 (0)3 86 49 86 30 • Fax : +33 (0)3 86 49 87 17

contact.mouvex@psgdover.com • www.mouvex.com

C4 A - C8 A - C4 A HT - C8 A HT



C4 A

* 1, 2, 4... : Quantity in equipment - (1), (2), (4)... : Quantity in kit

Item	Available	Description	Qty*	Ref.	Maintenance kit	Wear part
8	◆	PLUGS + BREATHER	1	AUX311441		
715		BREATHER	(1)			●
773		PLUG	(1)			
774		SEAL	(1)			●
9	◆	BEARING GASKETS _ SCREWS	1	AUX315271		
507		RING	(1)			●
602		O-RING	(1)			●
608		LIP SEAL	(2)			●
609		SCREW	(3)			
100	◆	INLET MANIFOLD PN16 PN20	1	AUX311356		
100	◆	JACKETED INLET MANIFOLD PN16 PN20	1	AUX311360		
101B		MAIN BODY	(1)			
118		PIN	(1)			
131		PLATE (WITH HEAT JACKET MAIN BODY)	(1)			
802		VALVE SEAT	(1)			
892		SCREW	(1)			
893		SEAL	(1)			
119	◆	SET OF SCREWS	1	AUX311508		
106		SCREW	(4)			
111		SCREW	(4)			
123		WASHER	(4)			
119	◆	JACKETED SET OF SCREWS	1	AUX311509		
106		SCREW	(4)			
111		SCREW	(4)			
123		WASHER	(4)			
132		SCREW	(4)			
200	◆	SET CYLINDER_ PISTON	1	AUX313393	■	
201		CYLINDER	(1)			●
301		PISTON	(1)			●
304	◆	PISTON NUT	1	AUX216257		●
206	◆	SET OF CVT 'O' RING SEALS	1	AUX311897	■	
206	◆	SET OF CVT 'O' RING SEALS -JACKETED VERSION-	1	AUX311898	■	
206	◆	SET OF FKM 'O' RING SEALS	1	AUX311358	■	
206	◆	JACKETED SET OF FKM 'O' RING SEALS	1	AUX311361	■	
113		O-RING	(2)			●
130		SEAL (HEAT JACKET VERSION)	(1)			●
205		SEAL	(1)			●
305		SEAL	(1)			●
306		SEAL	(1)			●
307		SEAL	(1)			●
401	◆	FRONT COVER	1	AUX216354		
596	◆	COMPLETE TRANSMISSION - STANDARD SPRING	1	AUX312306	■	●
596	◆	COMPLETE TRANSMISSION - STRONG SPRING	1	AUX313961	■	●

C4 A

* 1, 2, 4... : Quantity in equipment - (1), (2), (4)... : Quantity in kit

Item	Available	Description	Qty*	Ref.	Maintenance kit	Wear part
820	◆	BYPASS - CVT -C8	1	AUX313138		
820	◆	BYPASS - FKM -C8	1	AUX313134		
820	◆	BYPASS - CVT -C3,5	1	AUX313136		
820	◆	BYPASS - FKM -C2,5	1	AUX313131		
820	◆	BYPASS - FKM -C3,5	1	AUX313132		
820	◆	BYPASS - CVT -C2,5	1	AUX313135		
803		COMPENSATED VALVE	(1)			
804/824		SPRING	(1)			
825		SPRING GUIDE	(1)			
826		ADJUSTING SCREW	(1)			
828		NUT	(1)			
829		SPRING	(1)			
831		PIN	(1)			
833		BYPASS CAP	(1)			
834		NUT	(1)			
838		WASHER	(1)			
896	◆	SET OF BYPASS SEALS CVT	1	AUX313173	■	
896	◆	SET OF BYPASS SEALS FKM	1	AUX313172	■	
807		SEAL	(1)			●
832		SEAL	(1)			●
837		SEAL	(1)			●

C8 A

* 1, 2, 4... : Quantity in equipment - (1), (2), (4)... : Quantity in kit

Item	Available	Description	Qty*	Ref.	Maintenance kit	Wear part
8	◆	PLUGS + BREATHER	1	AUX311441		
715		BREATHER	(1)			●
773		PLUG	(1)			
774		SEAL	(1)			●
9	◆	BEARING GASKETS _ SCREWS	1	AUX315271		
507		RING	(1)			●
602		O-RING	(1)			●
608		LIP SEAL	(2)			●
609		SCREW	(3)			
100	◆	INLET MANIFOLD PN16 PN20	1	AUX311356		
100	◆	JACKETED INLET MANIFOLD PN16 PN20	1	AUX311360		
101B		MAIN BODY	(1)			
118		PIN	(1)			
131		PLATE (WITH HEAT JACKET MAIN BODY)	(1)			
802		VALVE SEAT	(1)			
892		SCREW	(1)			
893		SEAL	(1)			
119	◆	SET OF SCREWS	1	AUX311995		
106		SCREW	(4)			
111		SCREW	(4)			
123		WASHER	(4)			
119	◆	JACKETED SET OF SCREWS	1	AUX311915		
106		SCREW	(4)			
111		SCREW	(4)			
123		WASHER	(4)			
132		SCREW	(4)			
200	◆	SET CYLINDER_ PISTON	1	AUX313395	■	
201		CYLINDER	(1)			●
301		PISTON	(1)			●
304	◆	PISTON NUT	1	AUX218572		●
206	◆	SET OF CVT 'O' RING SEALS	1	AUX311897	■	
206	◆	SET OF CVT 'O' RING SEALS -JACKETED VERSION-	1	AUX311898	■	
206	◆	SET OF FKM 'O' RING SEALS	1	AUX311358	■	
206	◆	JACKETED SET OF FKM 'O' RING SEALS	1	AUX311361	■	
113		O-RING	(2)			●
130		SEAL (HEAT JACKET VERSION)	(1)			●
205		SEAL	(1)			●
305		SEAL	(1)			●
306		SEAL	(1)			●
307		SEAL	(1)			●
401	◆	FRONT COVER	1	AUX216354		
596	◆	COMPLETE TRANSMISSION - STANDARD SPRING	1	AUX312306	■	●
596	◆	COMPLETE TRANSMISSION - STRONG SPRING	1	AUX313961	■	●

C8 A

* 1, 2, 4... : Quantity in equipment - (1), (2), (4)... : Quantity in kit

Item	Available	Description	Qty*	Ref.	Maintenance kit	Wear part
820	◆	BYPASS - CVT -C3,5	1	AUX313136		
820	◆	BYPASS - FKM -C2,5	1	AUX313131		
820	◆	BYPASS - FKM -C3,5	1	AUX313132		
820	◆	BYPASS - CVT -C2,5	1	AUX313135		
820	◆	BYPASS - CVT -C5	1	AUX313137		
820	◆	BYPASS - FKM -C5	1	AUX313133		
803		COMPENSATED VALVE	(1)			
804		SPRING	(1)			
825		SPRING GUIDE	(1)			
826		ADJUSTING SCREW	(1)			
828		NUT	(1)			
829		SPRING	(1)			
831		PIN	(1)			
833		BYPASS CAP	(1)			
834		NUT	(1)			
838		WASHER	(1)			
896	◆	SET OF BYPASS SEALS CVT	1	AUX313173	■	
896	◆	SET OF BYPASS SEALS FKM	1	AUX313172	■	
807		SEAL	(1)			●
832		SEAL	(1)			●
837		SEAL	(1)			●

C4 A HT

* 1, 2, 4... : Quantity in equipment - (1), (2), (4)... : Quantity in kit

Item	Available	Description	Qty*	Ref.	Maintenance kit	Wear part
7	◆	CONNECTION	1	AUX312298		
706		NIPPLE	(1)			
707		TEE	(1)			
708		CONNECTOR	(1)			
709		NIPPLE	(1)			
711		NIPPLE	(1)			
712		CONNECTOR	(1)			
713		NIPPLE	(1)			
716		NIPPLE	(1)			
717		ELBOW	(2)			
8	◆	PLUGS + BREATHER	1	AUX314455		
715		BREATHER	(1)			●
771		SEAL	(1)			●
772		PLUG	(1)			
773		PLUG	(1)			
9	◆	BEARING GASKETS _ SCREWS	1	AUX315271		
507		RING	(1)			●
602		O-RING	(1)			●
608		LIP SEAL	(2)			●
609		SCREW	(3)			
100	◆	INLET MANIFOLD PN16 PN20	1	AUX311356		
100	◆	JACKETED INLET MANIFOLD PN16 PN20	1	AUX311360		
101B		MAIN BODY	(1)			
118		PIN	(1)			
131		PLATE (WITH HEAT JACKET MAIN BODY)	(1)			
802		VALVE SEAT	(1)			
892		SCREW	(1)			
893		SEAL	(1)			
119	◆	SET OF SCREWS	1	AUX311508		
106		SCREW	(4)			
111		SCREW	(4)			
123		WASHER	(4)			
119	◆	JACKETED SET OF SCREWS	1	AUX311509		
106		SCREW	(4)			
111		SCREW	(4)			
123		WASHER	(4)			
132		SCREW	(4)			
200	◆	SET CYLINDER_PISTON	1	AUX313393	■	
201		CYLINDER	(1)			●
301		PISTON	(1)			●
304	◆	PISTON NUT	1	AUX216257		●
206	◆	SET OF CVT 'O' RING SEALS	1	AUX311897	■	
206	◆	SET OF CVT 'O' RING SEALS -JACKETED VERSION-	1	AUX311898	■	
206	◆	SET OF FKM 'O' RING SEALS	1	AUX311358	■	
206	◆	JACKETED SET OF FKM 'O' RING SEALS	1	AUX311361	■	
113		O-RING	(2)			●
130		SEAL (HEAT JACKET VERSION)	(1)			●
205		SEAL	(1)			●
305		SEAL	(1)			●
306		SEAL	(1)			●
307		SEAL	(1)			●
401	◆	FRONT COVER	1	AUX216354		

C4 A HT

* 1, 2, 4... : Quantity in equipment - (1), (2), (4)... : Quantity in kit

Item	Available	Description	Qty*	Ref.	Maintenance kit	Wear part
596	◆	COMPLETE TRANSMISSION :				
		WITH CONTAINER - STANDARD SPRING - JACKETED VERSION	1	AUX312297	■	●
596	◆	WITH CONTAINER - STRONG SPRING - JACKETED VERSION	1	AUX314581	■	●
596A	◆	WITHOUT CONTAINER - STANDARD SPRING - JACKETED VERSION	1	AUX314024	■	●
596A	◆	WITHOUT CONTAINER - STRONG SPRING - JACKETED VERSION	1	AUX314583	■	●
710	◆	BEARING OIL RESERVOIR	1	AUX312296		
820	◆	BYPASS - CVT -C8	1	AUX313138		
820	◆	BYPASS - FKM -C8	1	AUX313134		
820	◆	BYPASS - CVT -C3,5	1	AUX313136		
820	◆	BYPASS - FKM -C2,5	1	AUX313131		
820	◆	BYPASS - FKM -C3,5	1	AUX313132		
820	◆	BYPASS - CVT -C2,5	1	AUX313135		
803		COMPENSATED VALVE	(1)			
804/824		SPRING	(1)			
825		SPRING GUIDE	(1)			
826		ADJUSTING SCREW	(1)			
828		NUT	(1)			
829		SPRING	(1)			
831		PIN	(1)			
833		BYPASS CAP	(1)			
834		NUT	(1)			
838		WASHER	(1)			
896	◆	SET OF BYPASS SEALS CVT	1	AUX313173	■	
896	◆	SET OF BYPASS SEALS FKM	1	AUX313172	■	
807		SEAL	(1)			●
832		SEAL	(1)			●
837		SEAL	(1)			●

C8 A HT

* 1, 2, 4... : Quantity in equipment - (1), (2), (4)... : Quantity in kit

Item	Available	Description	Qty*	Ref.	Maintenance kit	Wear part
7	◆	CONNECTION	1	AUX312298		
706		NIPPLE	(1)			
707		TEE	(1)			
708		CONNECTOR	(1)			
709		NIPPLE	(1)			
711		NIPPLE	(1)			
712		CONNECTOR	(1)			
713		NIPPLE	(1)			
716		NIPPLE	(1)			
717		ELBOW	(2)			
8	◆	PLUGS + BREATHER	1	AUX314455		
715		BREATHER	(1)			●
771		SEAL	(1)			●
772		PLUG	(1)			
773		PLUG	(1)			
9	◆	BEARING GASKETS _ SCREWS	1	AUX315271		
507		RING	(1)			●
602		O-RING	(1)			●
608		LIP SEAL	(2)			●
609		SCREW	(3)			
100	◆	INLET MANIFOLD PN16 PN20	1	AUX311356		
100	◆	JACKETED INLET MANIFOLD PN16 PN20	1	AUX311360		
101B		MAIN BODY	(1)			
118		PIN	(1)			
131		PLATE (WITH HEAT JACKET MAIN BODY)	(1)			
802		VALVE SEAT	(1)			
892		SCREW	(1)			
893		SEAL	(1)			
119	◆	SET OF SCREWS	1	AUX311995		
106		SCREW	(4)			
111		SCREW	(4)			
123		WASHER	(4)			
119	◆	JACKETED SET OF SCREWS	1	AUX311915		
106		SCREW	(4)			
111		SCREW	(4)			
123		WASHER	(4)			
132		SCREW	(4)			
200	◆	SET CYLINDER_PISTON	1	AUX313395	■	
201		CYLINDER	(1)			●
301		PISTON	(1)			●
304	◆	PISTON NUT	1	AUX218572		●
206	◆	SET OF CVT 'O' RING SEALS	1	AUX311897	■	
206	◆	SET OF CVT 'O' RING SEALS -JACKETED VERSION-	1	AUX311898	■	
206	◆	SET OF FKM 'O' RING SEALS	1	AUX311358	■	
206	◆	JACKETED SET OF FKM 'O' RING SEALS	1	AUX311361	■	
113		O-RING	(2)			●
130		SEAL (HEAT JACKET VERSION)	(1)			●
205		SEAL	(1)			●
305		SEAL	(1)			●
306		SEAL	(1)			●
307		SEAL	(1)			●
401	◆	FRONT COVER	1	AUX216354		

C8 A HT

* 1, 2, 4... : Quantity in equipment - (1), (2), (4)... : Quantity in kit

Item	Available	Description	Qty*	Ref.	Maintenance kit	Wear part
596	◆	COMPLETE TRANSMISSION :				
		WITH CONTAINER - STANDARD SPRING - JACKETED VERSION	1	AUX312297	■	●
596	◆	WITH CONTAINER - STRONG SPRING - JACKETED VERSION	1	AUX314581	■	●
596A	◆	WITHOUT CONTAINER - STANDARD SPRING - JACKETED VERSION	1	AUX314024	■	●
596A	◆	WITHOUT CONTAINER - STRONG SPRING - JACKETED VERSION	1	AUX314583	■	●
710	◆	BEARING OIL RESERVOIR	1	AUX312296		
820	◆	BYPASS - CVT -C3,5	1	AUX313136		
820	◆	BYPASS - FKM -C2,5	1	AUX313131		
820	◆	BYPASS - FKM -C3,5	1	AUX313132		
820	◆	BYPASS - CVT -C2,5	1	AUX313135		
820	◆	BYPASS - CVT -C5	1	AUX313137		
820	◆	BYPASS - FKM -C5	1	AUX313133		
803		COMPENSATED VALVE	(1)			
804		SPRING	(1)			
825		SPRING GUIDE	(1)			
826		ADJUSTING SCREW	(1)			
828		NUT	(1)			
829		SPRING	(1)			
831		PIN	(1)			
833		BYPASS CAP	(1)			
834		NUT	(1)			
838		WASHER	(1)			
896	◆	SET OF BYPASS SEALS CVT	1	AUX313173	■	
896	◆	SET OF BYPASS SEALS FKM	1	AUX313172	■	
807		SEAL	(1)			●
832		SEAL	(1)			●
837		SEAL	(1)			●