

Alfa Laval Access Tank Cover - Circular Cover Type LKDC

Tank Covers

Introduction

The Alfa Laval Access Tank Cover - Circular Cover Type LKDC is a high-quality opening that provides quick, easy and convenient entry and egress to tank interiors. Available with a variety of surface finishes and seal materials, the Circular Cover Type LKDC securely fit the openings of low- or non-pressurized tanks.

Application

The Access Tank Cover - Circular Cover Type LKDC stainless steel manway cover is used on the top of tanks or containers across the dairy, food, beverage, and biopharm industries, where a hygienic closeable mean of access to the interior of the tank is required.

Benefits

- Covering all tank needs
- Hygienic design
- Available as a 3-A approved version
- Can be supplied with safety grid

Standard design

To enable visual inspection and/or physical entry into the tank, the tank cover swings outwards. The LKDC Tank covers needs to be positioned above the liquid level.

The Alfa Laval Access Tank Cover - Circular Cover Type LKDC is available in AISI 304 or AISI 316L stainless steel with EPDM, NBR, FPM or Q (silicone) seal materials. Surface finishes include electropolished, brushed and acid pickled finishes and vary from Ra 0.4 to Ra 0.8 to meet the exceptionally high quality requirements of hygienic processes. In addition, a 3.1 Material Certification in accordance with EN 10204 is supplied. For more information, please refer to documentation and the Tank cover selection guide.

Working principle

The Alfa Laval Access Tank Cover - Circular Cover Type LKDC is supplied with a unique replaceable, self-sealing double lip seal to prevent fluids from spraying out, for instance, during CIP cleaning and similar processes or during travel on mobile tanks.



The seals are produced in compliance with 3-A recommendations. Open the cover by loosening the handle.

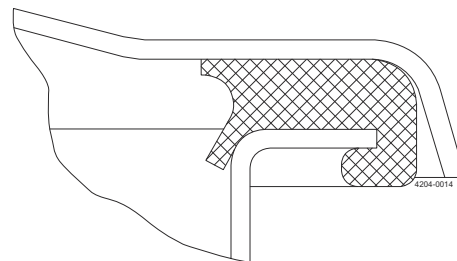
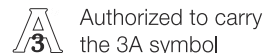


Figure 1. Double lip seal

Certificates

3.1 certificate



TECHNICAL DATA

Working pressure

LKDC-306, 404, 454, 518, 620:	No pressure
LKDC-202:	5.8 PSI

PHYSICAL DATA

Materials

Lid and frame:	1.4301 (304) or 1.4404 (316L)
Plastic parts:	Nylon
Seals:	EPDM or NBR or FPM or Q (silicone)

Finish

Surface finish:	Acid Pickled
Product wetted surfaces:	Ra 32 μin (Excluding welding zone)
Other frame and lid surfaces:	Ra 32 μin (Excluding welding zone)

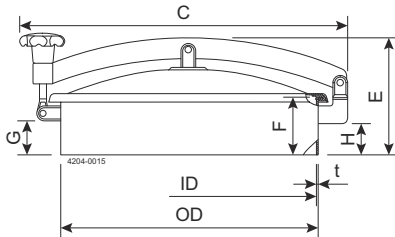
3A finish

3A surface finish:	Acid pickled
Product wetted surfaces:	Ra 16 μin
Other frame and lid surfaces:	Ra 16 μin (Excluding external welding zone)

Temperature

Min. temperature:	- 4 °F
Max. temperature (NBR):	-22 °F / 230 °F
Max. temperature (Q):	-58 °F / 392 °F
Max. temperature (EPDM, not for oil and fat):	-15 °F / 194 °F
Max. temperature (FPM flourinated rubber):	14 °F / 482 °F

Dimensions (inch)

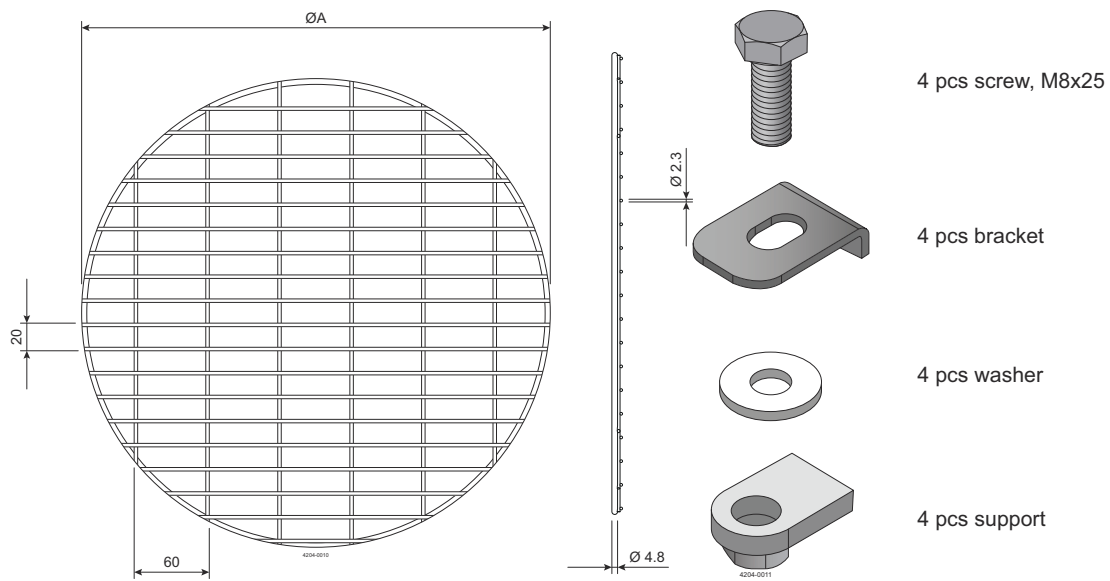


Size/OD	202	306	404	454	454	518	518	620	620
ID	7.80	11.89	15.75	17.64	17.64	20.16	20.16	24.17	24.17
F	3.35	3.94	3.94	3.94	7.87	3.94	7.87	3.94	7.87
t	0.08	0.08	0.08	0.12	0.12	0.12	0.12	0.12	0.12
C	13.94	17.99	21.85	23.98	23.98	26.57	26.57	30.63	30.63
G	1.97	2.52	2.52	2.56	6.50	2.08	6.38	2.44	6.38
H	1.69	2.52	2.32	2.36	6.30	2.28	6.22	2.32	6.26
E	6.14	5.75	7.01	7.91	11.85	7.76	10.12	7.99	11.93
Cover thickness	0.06	0.06	0.08	0.08	0.08	0.12	0.12	0.12	0.12
Weight (lbs)	7.5	13.9	18.3	26.9	34.8	31.7	39.0	41.4	53.6

Option

Wire safety grid.

For installation in non-3A approved LKDC manhole covers.

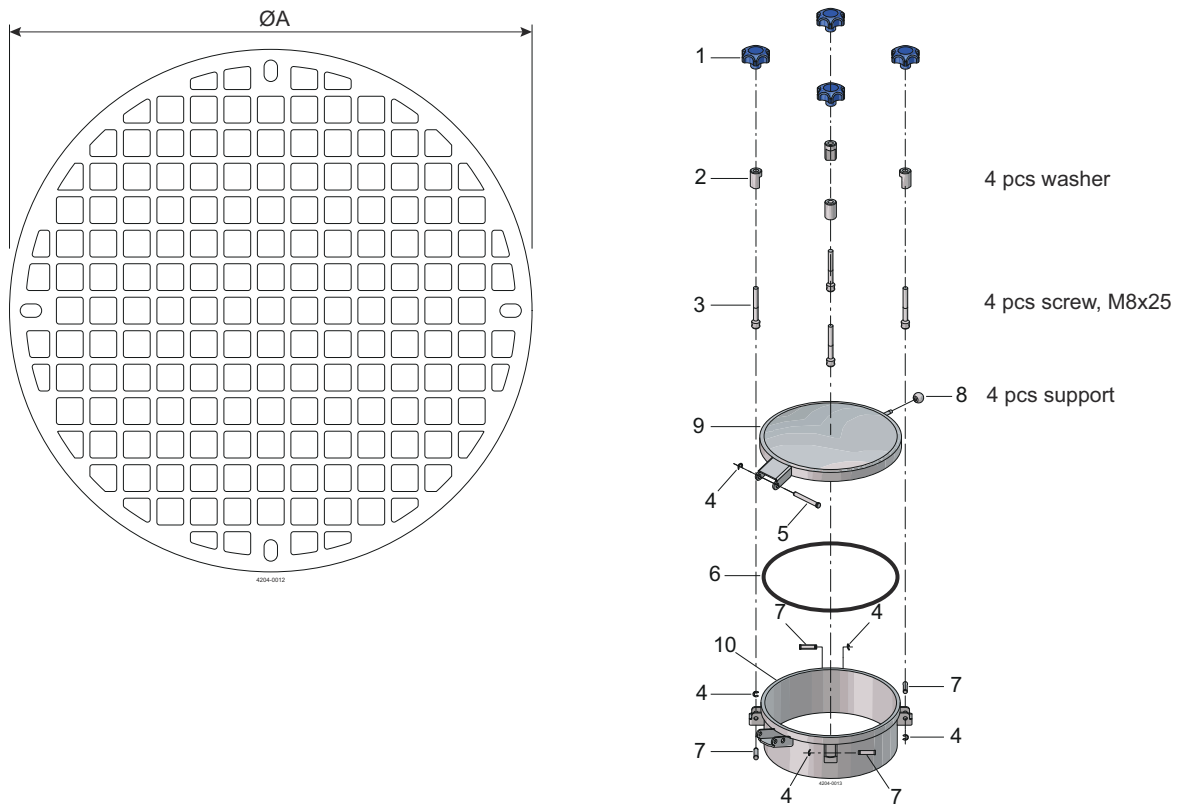


Dimensions:

LKDC	ØA	
	mm	inch
202	190	7.48
306	298	11.73
404	390	15.35
454	445	17.52
518	498	19.61
620	598	23.54

Material: 316L

Laser-cut safety grid. For installation in non-3A approved LKDC manhole covers.



Dimensions:

LKDC	ØA	
	mm	inch
202	190	7.48
306	296	11.65
404	390	14.96
454	436	17.17
518	500	19.68
620	605	23.82

Material: 316L

This document and its contents are subject to copyrights and other intellectual property rights owned by Alfa Laval Corporate AB. No part of this document may be copied, re-produced or transmitted in any form or by any means, or for any purpose, without Alfa Laval Corporate AB's prior express written permission. Information and services provided in this document are made as a benefit and service to the user, and no representations or warranties are made about the accuracy or suitability of this information and these services for any purpose. All rights are reserved.

200006213-1-EN-US

© Alfa Laval Corporate AB

How to contact Alfa Laval

Up-to-date Alfa Laval contact details for all countries are always available on our website at www.alfalaval.com