

Alfa Laval LKC Non-return Valve

Control/Check valves

Introduction

The Alfa Laval LKC Non-return Valve is a hygienic one-way check valve for use in various processes across the hygienic industries to prevent reverse flow. It is easy to install, ensuring safety and high product quality. It is available in two versions: the LKC-2 for vertical flow and the LKC-H for horizontal flow.

Application

The LKC Non-return Valve is widely used for single directional product flow through hygienic process lines across the dairy, food, beverage, brewery and many other industries.

Benefits

- Highly reliable, self-acting valve
- Easy to install
- Protects process equipment
- Prevents reverse flow


Standard design

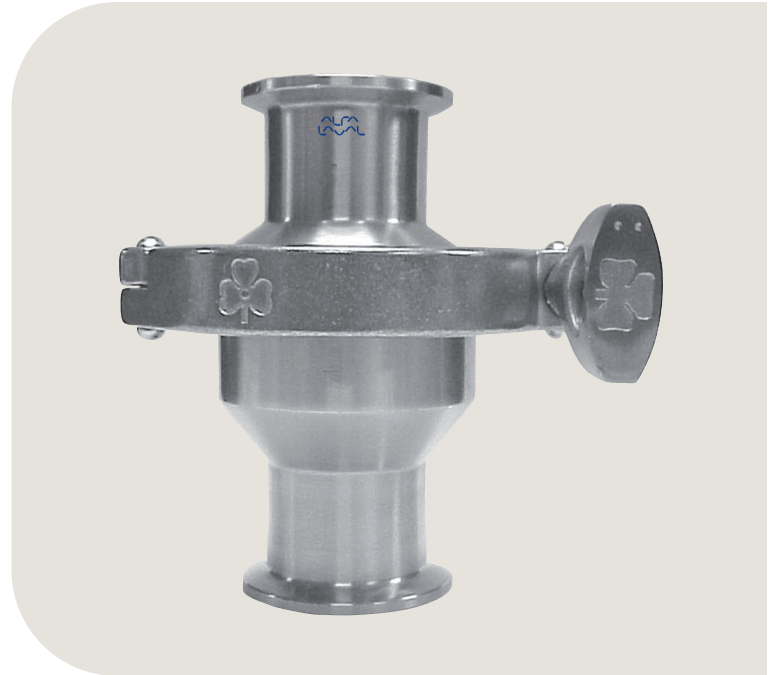
The Alfa Laval LKC Non-return Valve consists of a valve body in two parts, valve plug and spring, assembled by means of a clamp ring and hygienically sealed with a special seal ring. A guide disc with four legs ensure alignment of the spring-loaded valve plug with an o-ring seal. The valve is available with weld and clamp ends for ISO and DIN tubing connections.

Working principle

The Alfa Laval LKC Non-return Valve opens and closes depending on the pressure. The spring acts on the valve plug and keeps the valve closed until the force from the pressure in the inlet exceeds the force of the spring. If a reverse flow should occur, the spring force and the pressure from the outlet will keep the valve closed. Required differential pressure for opening the valve when fitted in a vertical pipe is approximately 0.87 PSI (0.06 bar).

Certificates

 Authorized to carry the 3A symbol



TECHNICAL DATA

Temperature

Max. temperature:	284°F (EPDM)
Min. temperature:	14°F

Pressure

Max. product pressure:	145 PSI (10 bar)
------------------------	------------------

ATEX

Classification:	II 2 G D ¹
-----------------	-----------------------

¹ This equipment is outside the scope of the directive 2014/34/EU and must not carry a separate CE marking according to the directive as the equipment has no own ignition source

Mechanical

Required differential pressure for opening the valve when fitted in a vertical pipe, as shown in fig. 3, is approx. 0.87 PSI (0.06 bar).

Options

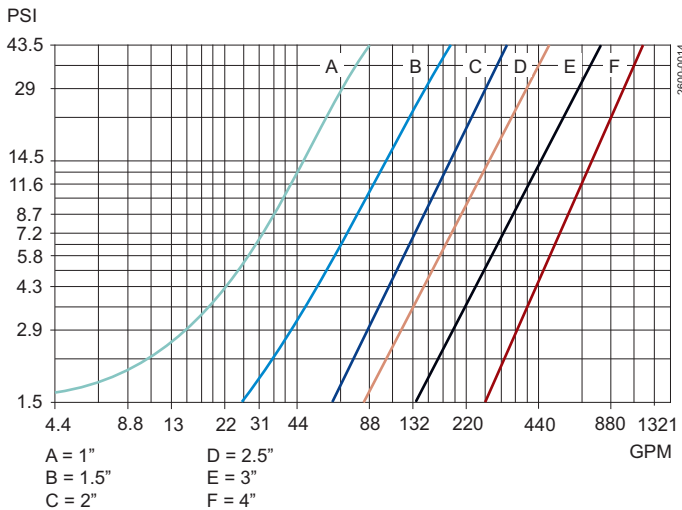
Product wetted seal rings of Nitrile (NBR) or Fluorinated rubber (FPM).

PHYSICAL DATA

Materials

Product wetted steel parts:	1.4301 (304) / 1.4404 (316L)
External surface finish:	Bright (Machined Ra < 63 µin)
Internal surface finish:	Ra < 63 µin
Product wetted seals:	EPDM rubber

Pressure drop/capacity diagram



Note! For the diagram the following applies:
 Medium: Water (68°F).
 Measurement: In accordance with VDI 2173.



CSI

CONTACT CSI FOR MORE INFORMATION | CSIDESIGNS.COM | SALES@CSIDESIGNS.COM | 417.831.1411

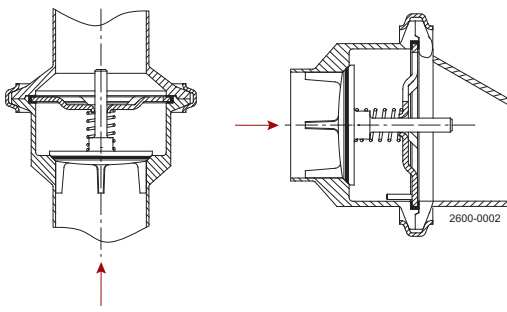


Figure 1. Flow direction.

Shows the optimal built-in situation. Other positions possible are e.g. horizontal. The four guide legs of the valve cone ensure good alignment.

90° rotation.

Dimensions (inch)

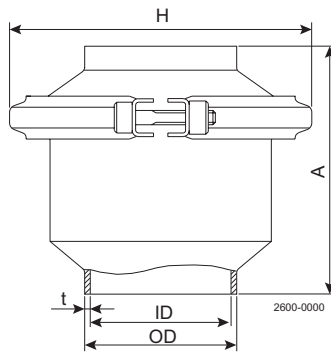


Figure 2. Vertical mounted

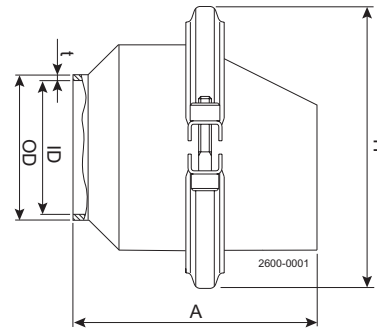


Figure 3. Horizontal mounted

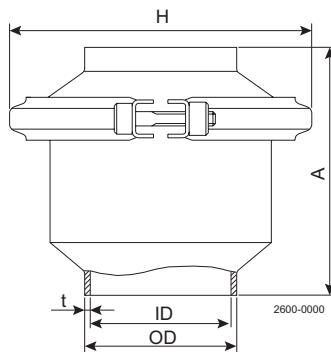


Figure 4. Vertical mounted

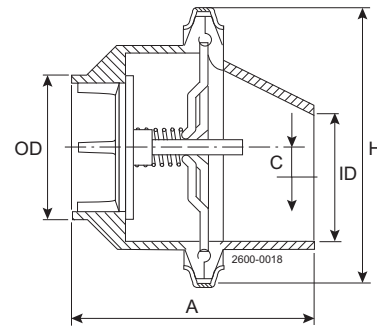


Figure 5. LKC-Drainable

Table 1. Dimensions.

Size	1"	1.5"	2"	2.5"	3"	4"
A	2.46	2.95	3.44	3.74	4.53	6.10
A Tri-Clamp®	4.12	4.61	5.10	5.40	6.19	7.76
OD	1.00	1.50	2.00	2.50	3.00	4.00
ID	0.89	1.40	1.91	2.38	2.83	3.84
t	0.06	0.06	0.06	0.07	0.09	0.09
H	3.23	3.75	4.29	5.39	5.83	6.46
Weight (lbs.)	1.1	1.5	2.2	3.8	5.3	9.5

Table 2. Dimensions.

Size	1"	1.5"	2"	2.5"	3"
A	3.76	3.41	4.17	4.81	5.69
Tri-Clamp®	5.38	5.13	5.80	6.30	7.31
C	0.34	0.40	0.41	0.53	0.65



Size	1"	1.5"	2"	2.5"	3"
OD	1.00	1.50	2.00	2.50	3.00
ID	0.89	1.40	1.91	2.38	2.83
t	0.06	0.06	0.06	0.07	0.09
H	3.23	3.75	4.29	5.39	5.83
Weight (lbs.)	1.1	1.5	2.2	3.8	5.3

This document and its contents are subject to copyrights and other intellectual property rights owned by Alfa Laval Corporate AB. No part of this document may be copied, re-produced or transmitted in any form or by any means, or for any purpose, without Alfa Laval Corporate AB's prior express written permission. Information and services provided in this document are made as a benefit and service to the user, and no representations or warranties are made about the accuracy or suitability of this information and these services for any purpose. All rights are reserved.

200002788-1-EN-US

© Alfa Laval Corporate AB

How to contact Alfa Laval

Up-to-date Alfa Laval contact details for all countries are always available on our website at www.alfalaval.com



CSI

CONTACT CSI FOR MORE INFORMATION | CSIDESIGNS.COM | SALES@CSIDESIGNS.COM | 417.831.1411