



Spare Parts

Sampling Valves Type 20 and 32

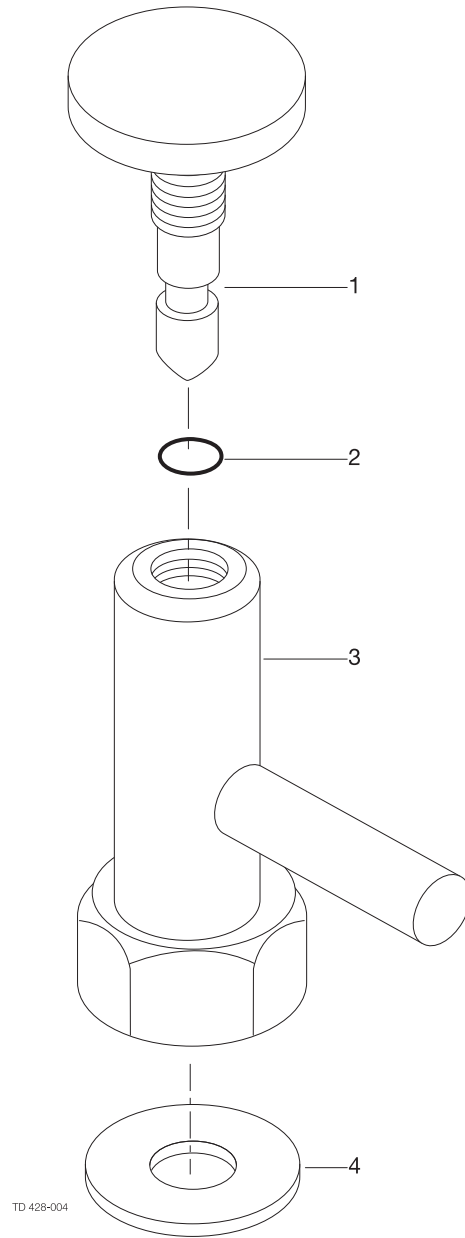
ESE00802-EN5 2021-05

Original manual

Table of contents

The information herein is correct at the time of issue but may be subject to change without prior notice

1. Sampling Valve Type 20	4
2. Sampling Valve Type 32	6



Sampling Valve Type 20

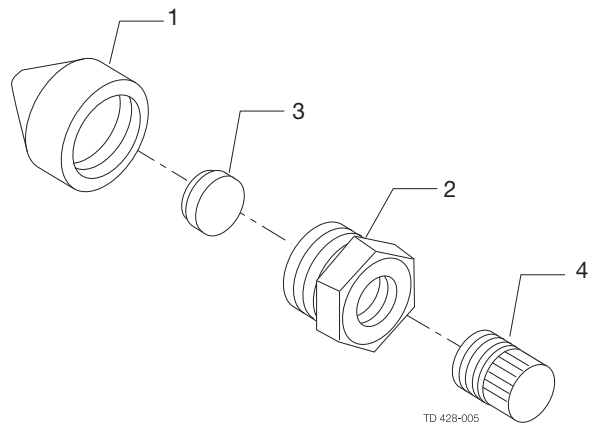
AISI 304

Pos	Qty	Denomination	3135000201
1	1	Spindle	9611252176
2	□ 1	O-ring (NBR)	9611990026
3	1	Valve body	
4	□ 1	Fibre packing	8010005955

Recommended spare parts: pos. 2 and 4.

900-431

Not manufactured anymore



Sampling Valve Type 32

AISI 304

Pos	Qty	Denomination	3135000321
1	1	Body	3135000331
2	1	Pressure screw	
3	□ 1	Rubber plug	3135000351
4	1	Plug	3135000361

Recommended spare parts: pos. 3.

900-432

How to contact Alfa Laval

Contact details for all countries are continually updated on our website.

Please visit www.alfalaval.com to access the information directly.

© Alfa Laval Corporate AB

This document and its contents is owned by Alfa Laval Corporate AB and protected by laws governing intellectual property and thereto related rights. It is the responsibility of the user of this document to comply with all applicable intellectual property laws. Without limiting any rights related to this document, no part of this document may be copied, reproduced or transmitted in any form or by any means (electronic, mechanical, photocopying, recording, or otherwise), or for any purpose, without the expressed permission of Alfa Laval Corporate AB. Alfa Laval Corporate AB will enforce its rights related to this document to the fullest extent of the law, including the seeking of criminal prosecution.