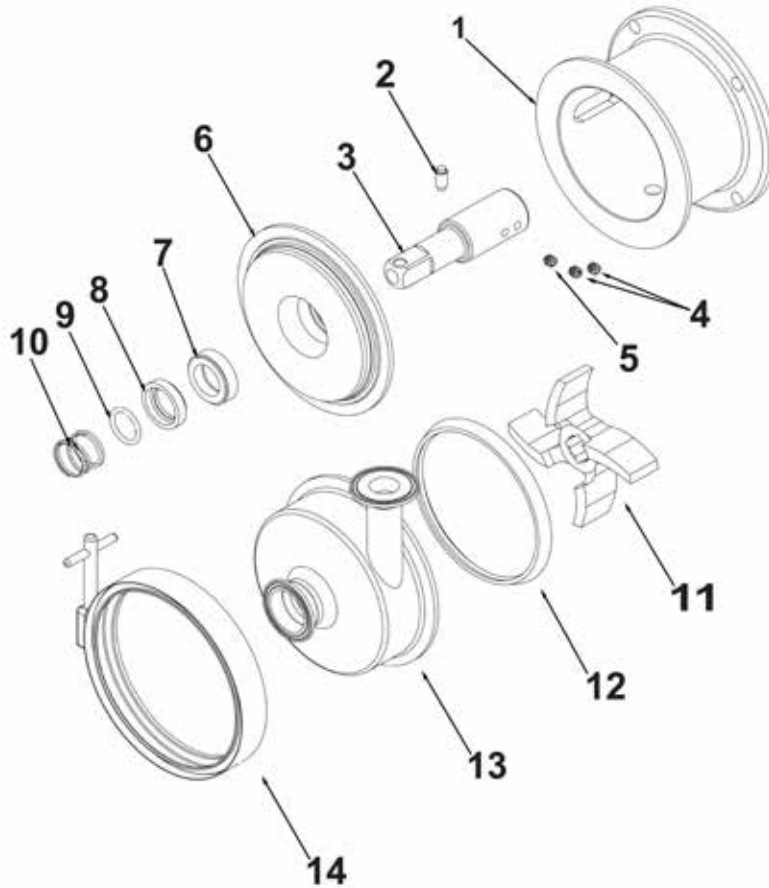


SP41 Spare Parts				
Item #	Part Number	Description	Qty	Kit
1	SP41-19-56	Pump Adapter	1	
2	10B-1.5-HSP-NP	Set Screw	2	
3	SP6-41-SSFDP	Set Screw	1	
4	SP6-41-56	Impeller Shaft	1	
5	SP51-80C	Ceramic Stationary Seal	1	▲
6	SP51-80T SP51-80TC	Rotary Seal PTFE Rotary Seal Carbon	1	▲
7	SP51-80N	Seal O-Ring	1	▲
8	SP41-80S	Spring	1	▲
9	SP41-40	Impeller O-Ring	1	▲
10	SP41-2-Size	Impeller	1	
11	SP40-4	Backplate Gasket	1	▲
12	SP41-1	Pump Head	1	
13	SP13HC-4	Pump Head Clamp	1	

▲ Included in SP41-SK Seal Kit

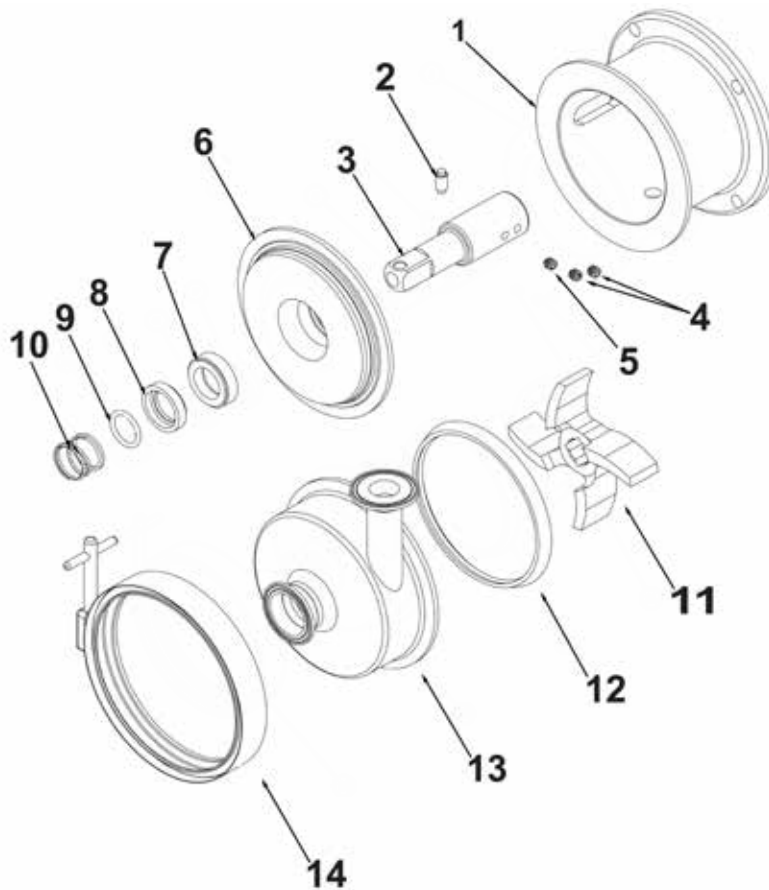
2" Inlet x 2" Outlet available upon request



SP51 Spare Parts				
Item #	Part Number	Description	Qty	Kit
1	SP51-19-56	Pump Adapter	1	
2	SP26-51	Retaining Pin	1	
3	SP6-51-56 SP6-51-145	Impeller Shaft	1	
4	SP6-41-SSFDP	Set Screw	2	
5	10B-1.5-HSP-NP	Set Screw	1	
6	SP51-11	Backplate	1	
7	SP51-80C	Ceramic Stationary Seal	1	▲
8	SP51-80T SP51-80TC	Rotary Seal PTFE Rotary Seal Carbon	1	▲
9	SP51-80N	Seal O-Ring	1	▲
10	SP51-80S	Spring	1	▲
11	SP51-2-Size	Impeller	1	
12	SP40-215	Backplate Gasket	1	▲
13	SP51-1	Pump Head	1	
14	SP51-13HC	Pump Head Clamp	1	

▲ Included in SP51-SK Seal Kit

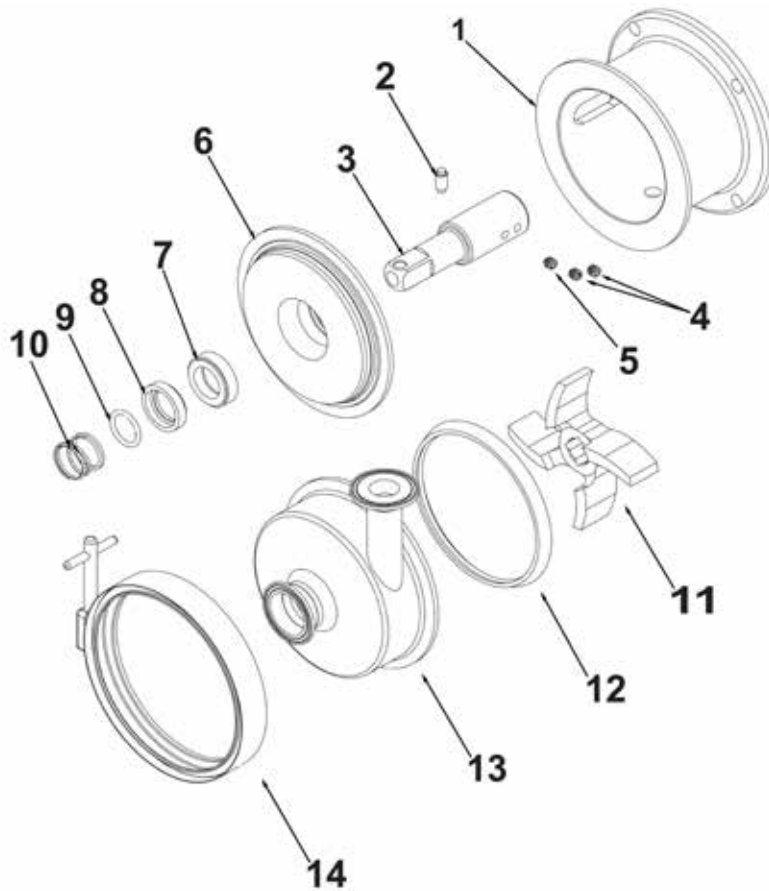
2" Inlet x 2" Outlet available upon request



SP61 Spare Parts				
Item #	Part Number	Description	Qty	Kit
1	SP61-19-56 SP61-19-184	Pump Adapter	1	
2	SP26-51	Retaining Pin	1	
3	SP6-61-184 SP6-61-215 SP6-61-256	Impeller Shaft	1	
4	SP6-41-SSFDP	Set Screw	2	
5	10B-1.5-HSP-NP	Set Screw	1	
6	SP61-11	Backplate	1	
7	SP51-80C	Ceramic Stationary Seal	1	▲
8	SP51-80T SP51-80TC	Rotary Seal PTFE Rotary Seal Carbon	1	▲
9	SP51-80N	Seal O-Ring	1	▲
10	SP51-80S	Spring	1	▲
11	SP61-2-Size	Impeller	1	
12	SP40-216	Backplate Gasket	1	
13	SP61-1	Pump Head	1	
14	SP61-13HC	Pump Head Clamp	1	

▲ Included in SP61-SK Seal Kit

2" Inlet x 2" Outlet available upon request



SP81 Spare Parts				
Item #	Part Number	Description	Qty	Kit
1	SP81-19-184	Pump Adapter	1	
2	SP26-81	Retaining Pin	1	
3	SP6-81-184 SP6-81-215 SP6-61-256	Impeller Shaft	1	
4	SP6-41-SSFDP	Set Screw	2	
5	10B-1.5-HSP-NP	Set Screw	1	
6	SP81-11	Backplate	1	
7	SP81-80C	Ceramic Stationary Seal	1	▲
8	SP81-80T SP81-80TC	Rotary Seal PTFE Rotary Seal Carbon	1	▲
9	SP81-80N	Seal O-Ring	1	▲
10	SP81-80S	Spring	1	▲
11	SP81-2-Size	Impeller	1	
12	SP40-218	Backplate Gasket	1	
13	SP81-1	Pump Head	1	
14	SP81-13HC	Pump Head Clamp	1	

▲ Included in SP81-SK Seal Kit