

# Hygienic Pumps

## GEA Hilge TPS (NEMA / 3-A)

Operating instruction (Translation from the original language)  
430BAL012703EN\_3

---

## COPYRIGHT

### **All rights reserved.**

Nothing contained in this documentation may be reproduced or distributed in any form (print, photocopy, microfilm or another method) without the prior written permission of

### **GEA Hilge**

### **Niederlassung der GEA Tuchenhagen GmbH**

hereinafter referred to as **Manufacturer** This restriction also applies to the drawings and diagrams included in the documentation.

---

## TABLE OF CONTENTS

<b>1</b>	<b>General Information</b>	<b>5</b>
1.1	Information on the Document	5
1.1.1	Binding Character of These Operating Instructions	5
1.1.2	Notes on the Illustrations	5
1.1.3	Symbols and Highlighting	5
1.2	Manufacturer address	6
1.3	Customer service	6
1.4	Confirmation of FDA compliance	7
<b>2</b>	<b>Safety</b>	<b>8</b>
2.1	Intended use	8
2.1.1	Requirements for operation	8
2.1.2	Improper operating conditions	8
2.2	Operator's Duty of Care	8
2.3	Subsequent changes	9
2.4	General safety instructions and dangers	9
2.4.1	Principles for safe operation	9
2.4.2	Environmental Protection	10
2.4.3	Electrical Equipment	10
2.5	Supplementary Regulations	10
2.6	Qualification of Personnel	11
2.7	Safety equipment	12
2.7.1	Signs	12
2.8	Residual dangers	13
2.9	Danger zones	15
<b>3</b>	<b>Description</b>	<b>16</b>
3.1	Design	16
3.2	Functional description	17
<b>4</b>	<b>Transport and storage</b>	<b>18</b>
4.1	Storage conditions	18
4.2	Transport	18
4.2.1	Scope of supply	19
<b>5</b>	<b>Technical data</b>	<b>20</b>
5.1	Type plate	20
5.2	Technical data	20
5.2.1	General operating data - nominal values	20
5.2.2	Materials - product contacting	21
5.2.3	Motor	21
5.2.4	Specific operating data - nominal values	21
5.3	Resistance of Sealing Materials	22
5.4	Lubricants	23
5.5	Weights	23
5.6	Torques	24
<b>6</b>	<b>Assembly and installation</b>	<b>26</b>
6.1	Safety instructions	26
6.2	Setting up the pump	26
6.3	Installing the pipelines	26
6.4	Connecting the motor	29
6.5	Checking the direction of rotation	30
6.6	Checking the sealing liquid	31
6.7	Checking the suction side valves	31
<b>7</b>	<b>Start-up</b>	<b>32</b>
7.1	Safety instructions	32
7.2	Notes on commissioning	32
<b>8</b>	<b>Operation and control</b>	<b>33</b>
8.1	Safety instructions	33
<b>9</b>	<b>Cleaning</b>	<b>34</b>
9.1	Cleaning	34
9.1.1	Cleaning Process Examples	34
9.1.2	Cleaning effect	34

9.2	Steam sterilization	35
<b>10</b>	<b>Maintenance</b>	<b>36</b>
10.1	Safety instructions	36
10.2	Inspections	37
10.3	Maintenance intervals	37
10.4	Prior to disassembly	38
10.5	Disassembly	38
10.5.1	Removing the inducer and pump cover	38
10.5.2	Removing the single-acting mechanical seal EW	39
10.5.3	Removing the single-acting flushed mechanical seal QU	40
10.5.4	Removing the double-acting mechanical seal DW	41
10.5.5	Removing the motor	43
10.6	Maintenance	44
10.6.1	Single-acting slide-ring packing EW	44
10.6.2	Single-acting slide-ring packing QU (A)	44
10.6.3	Double-acting slide-ring packing DW (A)	44
10.7	Prior to installation	45
10.8	Installation	45
10.8.1	Installing the motor	45
10.8.2	Installing the mechanical seal	46
	Installing the single slide-ring packing EW	47
	Installing the single-acting slide-ring packing, flushed QU	48
	Installing the double-acting slide-ring packing DW	49
10.8.3	Converting the slide-ring packing	49
	Convert single-acting mechanical seal EW to mechanical seal, flushed QU	50
	Convert single-acting mechanical seal EW to double-acting mechanical seal DW	51
10.8.4	Adjusting the axial gap	52
10.8.5	Installing the pump cover	54
<b>11</b>	<b>Drainage valve VTP</b>	<b>56</b>
11.1	Intended use - drainage valve VTP	56
11.2	Retrofitting of the drain valve VTP	56
11.3	Troubleshooting - drainage valve VTP	56
11.4	Maintenance - drainage valve VTP	57
11.5	Technical data - drainage valve VTP	59
<b>12</b>	<b>Alarms</b>	<b>61</b>
12.1	Malfunctions and remedies	61
<b>13</b>	<b>Decommissioning</b>	<b>62</b>
13.1	Safety instructions	62
13.2	Disposal	62
13.2.1	General notes	62
<b>14</b>	<b>Reworking of EW - QU</b>	<b>63</b>
<b>15</b>	<b>Appendix</b>	<b>64</b>
15.1	Lists	64
15.1.1	Abbreviations and terms	64

# 1 General Information

## 1.1 Information on the Document

The present Operating Instructions are part of the user information for the product. The Operating Instructions contain all the information you need to transport, install, commission, operate and carry out maintenance for the product.

### 1.1.1 Binding Character of These Operating Instructions

These Operating Instructions contain the manufacturer's instructions to the operator of the product and to all persons who work on or use the product regarding the procedures to follow.

Carefully read these Operating Instructions before starting any work on or using the product. Your personal safety and the safety of the product can only be ensured if you act as described in the Operating Instructions.

Store the Operating Instructions in such a way that they are accessible to the operator and the operating staff during the entire life cycle of the product. When the location is changed or the product is sold make sure you also provide the Operating Instructions.

### 1.1.2 Notes on the Illustrations

The illustrations in these Operating Instructions show the product in a simplified form. The actual design of the product can differ from the illustration. For detailed views and dimensions of the product please refer to the design documents.

### 1.1.3 Symbols and Highlighting

In these Operating Instructions, important information is highlighted by symbols or special formatting. The following examples illustrate the most important types of highlighting.



#### **Danger**

##### **Warning: Fatal Injuries**

Failure to observe the warning can result in serious damage to health, or even death.

- ▶ The arrow identifies a precautionary measure you have to take to avoid the hazard.



##### **Warning: Explosions**

Failure to observe the warning can result in severe explosions.

- ▶ The arrow identifies a precautionary measure you have to take to avoid the hazard.
-

 **Warning!**

**Warning: Serious Injuries**

Failure to observe the warning can result in serious damage to health.

- ▶ The arrow identifies a precautionary measure you have to take to avoid the hazard.

 **Caution!**

**Warning: Injuries**

Failure to observe the warning can result in minor or moderate damage to health.

- ▶ The arrow identifies a precautionary measure you have to take to avoid the hazard.

**Notice**

**Warning: Damage to Property**

Failure to observe the warning can result in serious damage to the component or in the vicinity of the component.

- ▶ The arrow identifies a precautionary measure you have to take to avoid the hazard.

Carry out the following steps: = Start of a set of instructions.

1. First step in a sequence of operations.
  2. Second step in a sequence of operations.
    - Result of the previous operation.
- The operation is complete, the goal has been achieved.

---

 **Hint!**

**Further useful information.**

---

## 1.2 Manufacturer address

GEA Hilge  
Niederlassung der GEA Tuchenhausen GmbH  
Hilgestraße 37-47  
55294 Bodenheim  
Germany  
Phone +49 6135 7016-0  
Fax +49 6135 1737  
hilge@gea.com  
gea.com

## 1.3 Customer service

Phone +49 6135 7016 100 (Sales support)

Phone +49 6135 7016101 (Service)  
spareparts.hilge@gea.com

## 1.4 Confirmation of FDA compliance



### Declaration of the FDA conformity

Manufacturer: **GEA Tuchenhagen GmbH**  
**Am Industriepark 2-10**  
**21514 Büchen, Germany**

We, as manufacturer, declare in sole responsibility that the machinery

Bezeichnung: Kreiselpumpe

Modell: GEA Hilge TP  
GEA Hilge TPS

Typ: TP 1020, TP 1540, TP 2030, TP 2050, TP 3050, TP 5060, TP 7060, TP 2575, TP 8050, TP 8080,  
TP 16040  
TPS 2030, TPS 3050, TPS 8050, TPS 8080

We exclusively use FDA compliant EPDM, HNBR and FKM materials for all seals in contact with product in our GEA Hilge centrifugal pump ranges TP and TPS.

We herewith certify that the ingredients of the materials are in accordance with the FDA "White List" as well as "FOOD and DRUG-ADMINISTRATION" 21 CFR Part 177.2600.

Büchen, 06 March 2017

  
i.V. Matthias Südel  
Senior Director  
Product Development Flow Components

  
i.V. Merian Watzlaw  
Head of Quality & HSE

Declaration of the FDA conformity\_2016-12-05\_TP\_TPS - Kopie.docx  
1/1

Fig.1

## 2 Safety

### 2.1 Intended use

GEA Hilge TPS centrifugal pump with NEMA standard motor is suitable for the proper hygienic conveyance of biologically complex and expensive liquids.

Therefore they can be used as product pumps in the food industry, pharmaceutical industry and as a cleaning agent pump in CIP cleaning circuits. The TPS pumps are not approved for use in potentially explosive atmospheres. The motors used by GEA have limited axial clearance.



#### Hint!

**The manufacturer is not liable for damage caused by improper use of the pump. The risk of such misuse lies entirely with the operator of the facility.**

---

#### 2.1.1 Requirements for operation

Prerequisites for trouble-free, safe operation of the pump are proper transport and storage as well as proper installation and assembly. The intended use also includes compliance with the operating, maintenance and service requirements.

#### 2.1.2 Improper operating conditions

The operational safety of the pump can not be guaranteed under improper operating conditions. Therefore avoid improper operating conditions.

The operation of the pump is not permitted if:

- Persons or objects are in the danger zone.
- Safety devices are not working or were removed.
- Malfunctions have been detected on the pump.
- Damage to the pump has been detected.
- Maintenance intervals have been exceeded.

### 2.2 Operator's Duty of Care

The operating company of the pump has a special responsibility for the proper and safe handling of the pump within their company. Only use the pump when it is in perfect operating condition in order to prevent danger to persons and property.

This operating manual contains information that you and your employees need for safe operation over the life of the pump. Be sure to read these Operating Instructions carefully and ensure that the measures described here are observed.

The operator's duty of care includes planning the necessary safety measures and monitoring that these measures are observed. The following principles apply:

- Only qualified personnel may work on the pump.
- The operator must authorize personnel to carry out the relevant tasks.

- Order and cleanliness must be maintained at the work stations and in the entire area surrounding the pump.
- Personnel must wear suitable work clothing and personal protective equipment. As the operator of the facility make sure that work clothing and personal protective equipment are used.
- Inform personnel regarding any properties of the product which might pose a health risk and the preventative measures to be taken.
- Have a qualified first-aid representative on call during the operation. This person must be able to initiate any necessary first-aid measures in case of an emergency.
- Clearly define procedures, competences and responsibilities for those working in the area of the pump. All personnel must be aware of the actions to be taken in the event of an emergency. Be sure to instruct the personnel at regular intervals.
- The signs on the pump must always be complete and easy to read. Check, clean and replace the signs as necessary at regular intervals.
- Observe the Technical Data specified and the limits of use!



**Hint!**

**Carry out regular checks. This way you can ensure that these measures are actually observed.**

---

## **2.3 Subsequent changes**

No technical modifications should ever be made to this pump. Otherwise, you will have to re-conduct the conformity assessment/risk assessment in accordance with applicable national directives.

Only original spare parts from GEA should be installed. This ensures that the pump is always operating properly and efficiently.

## **2.4 General safety instructions and dangers**

The pump is safe to operate. It was built according to the current state of science and technology.

Nevertheless, dangers can arise from the pump, if:

- the pump is not used as intended,
- the pump is used improperly,
- the pump is operated under impermissible conditions.

### **2.4.1 Principles for safe operation**

Dangerous situations during operation can be avoided by safety-conscious and proactive behaviour of the personnel.

The following principles apply for safe operation of the pump:

- The instructions must be complete and kept in proper legible condition for anyone within the operating area of the pump.

- Only use the pump for its intended purpose.
- The pump must be in working order and function properly. Check the condition of the pump before starting work and at regular intervals.
- Wear tight fitting work clothes for all types of work on the pump.
- Make sure that no one can get injured from the parts of the pump.
- Report malfunctions or detectable changes to the pump immediately to the person in charge.
- Never touch the pipelines and the pump when they are hot! Avoid opening the pump if the process equipment is not drained or still under pressure.
- Observe the accident prevention regulations and all local regulations.

#### **2.4.2 Environmental Protection**

Harm to the environment can be avoided by safety-conscious and proactive behaviour of the staff.

For environmental protection the following principles apply:

- Substances harmful to the environment must not be discharged into the ground or the sewage system.
- Always observe the pertinent regulations relating to waste avoidance, disposal and utilization.
- Substances harmful to the environment must be collected and stored in suitable containers. Clearly mark the containers.
- Dispose of lubricants as hazardous waste.

#### **2.4.3 Electrical Equipment**

For all work on electrical equipment, the following principles apply:

- Access to electrical equipment should only be allowed to qualified electricians. Always keep unattended switch cabinets locked.
- Modifications of the control system can affect the safe and reliable operation. Modifications are only permitted with the express permission of the manufacturer.
- After completion of all work, check that the protective devices are fully functional.

#### **2.5 Supplementary Regulations**

In addition to the instructions in this documentation the following also has to be observed:

- pertinent accident prevention regulations,
- generally accepted safety rules,
- national regulations applicable in the country of use,
- work and safety instructions applicable in the facility,

- installation and operating regulations for use in potentially explosive areas.

## **2.6 Qualification of Personnel**

This section provides information on how the personnel working on the pump must be trained.

Operating and maintenance personnel must

- have the necessary qualification to carry out their tasks,
- be instructed with regard to possible dangers,
- know and observe the safety instructions given in the documentation.

Only allow qualified electricians to carry out work on the electrical equipment or have a qualified electrician supervise the work.

Only allow specially trained personnel to carry out work on an explosion-protected system. Observe the corresponding national standards for gases and dust when working on an explosion-protected system.

The following minimum qualifications are required:

- Training as a specialist for working independently on the pump
- Adequate instruction to work on the pump under the supervision and guidance of a trained specialist

Each employee must meet the following requirements to work on the pump:

- Personal suitability for the respective task.
- Sufficient professional qualification for the respective task.
- Received instruction about the functionality of the pump.
- Received instruction about operating sequences on the pump.
- Familiar with the safety devices and their function.
- Familiar with these Operating Instructions, especially with the safety instructions and the information which is relevant for the task on hand.
- Familiar with the basic regulations with regard to occupational health and safety and accident prevention. When working with the pump, a distinction is made between the following user groups:




User groups	
Personnel	Qualifications
Operating personnel	Adequate instruction and sound knowledge in the following areas: <ul style="list-style-type: none"><li>• Functionality of the pump</li><li>• Operating sequences on the pump</li><li>• What to do in case of an emergency</li><li>• Lines of authority and responsibilities with respect to the task</li></ul>
Maintenance personnel	Appropriate training and a sound knowledge of the structure and functionality of the pump. Sound knowledge in the following areas: <ul style="list-style-type: none"><li>• Mechanical equipment</li><li>• Electrical equipment</li><li>• Pneumatic system</li></ul> Authorization with regard to safety engineering standards to carry out the following tasks: <ul style="list-style-type: none"><li>• Setting devices into operation</li><li>• Earthing of devices</li><li>• Marking of devices</li></ul> The corresponding certification must be available for work on certified machines.

## 2.7 Safety equipment

### 2.7.1 Signs

Hazardous locations on the pump are marked by warning signs, prohibition signs and mandatory signs.

The signs and instructions on the pump must always be legible. Any illegible signs must be replaced immediately.

Signs on the pump	
Sign	Meaning
 Fig.2	General hazard warning
 Fig.3	Warning Crushing
 Fig.4	Explosive atmosphere hazard warning

## 2.8 Residual dangers

Dangerous situations can be avoided by safety-conscious and proactive behaviour of the personnel and by wearing personal protective equipment.

Residual hazards on the pump and preventative measures		
Danger	Cause	Measure
Danger to life	Unintentional switch-on of the pump	Effectively disconnect all components, effectively prevent switch-on.
	Electric power	Observe the following safety rules: <ol style="list-style-type: none"> <li>1. Isolate from the power supply.</li> <li>2. Take appropriate measures to prevent switch on.</li> <li>3. Test absence of voltage.</li> <li>4. Earthing and short-circuiting.</li> <li>5. Cover or safeguard any adjacent live parts.</li> </ol>

<b>Residual hazards on the pump and preventative measures</b>		
<b>Danger</b>	<b>Cause</b>	<b>Measure</b>
Danger of injury	Danger presented by moving or sharp-edged parts	<p>The operator must exercise caution and prudence.</p> <p>For all work:</p> <ul style="list-style-type: none"> <li>• Wear suitable work clothing.</li> <li>• Never operate the machine if the cover panels are not correctly fitted.</li> <li>• Never open the cover panels during the operation.</li> <li>• Never reach into openings.</li> </ul> <p>Wear protective clothing in the entire area of the pump as a preventative measure:</p> <ul style="list-style-type: none"> <li>• Protective gloves</li> <li>• Safety shoes</li> </ul>
Environmental damage	Operating materials with properties which are harmful to the environment	<p>For all work:</p> <ul style="list-style-type: none"> <li>• Collect lubricants in suitable containers.</li> <li>• Dispose of lubricants in accordance with the pertinent regulations.</li> </ul>

## 2.9 Danger zones

Please observe the following notes:

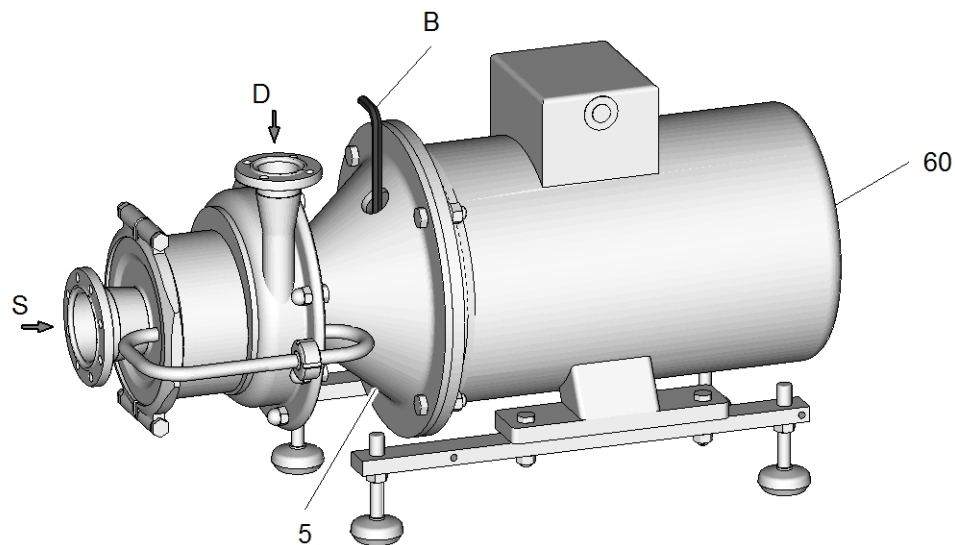


Fig.5

- In case of malfunction, take the pump out of service (separate from the power supply) and secure against restarting.
- Never touch the motor stool (5), the fan housing of the motor (60), the suction (S) or the pump discharge port (D) while the pump is running. Fingers can be crushed or cut off.
- Switch off the pump during all maintenance, repair and service work and secure the it against unintentional restart.
- After maintenance, never forget to remove the hexagon socket screwdriver (B) from the cylinder screw on the shaft.
- Only allow a qualified electrician to carry out any work on the electrical power supply.
- Regularly check the electrical equipment of the pump. Immediately remedy loose connections and molten cables.
- If work on live parts cannot be avoided, call in a second person, who can operate the main switch in case of an emergency.
- The housing sockets have very sharp edges. Wear suitable protective gloves when transporting and installing the pump.

### 3 Description

#### 3.1 Design

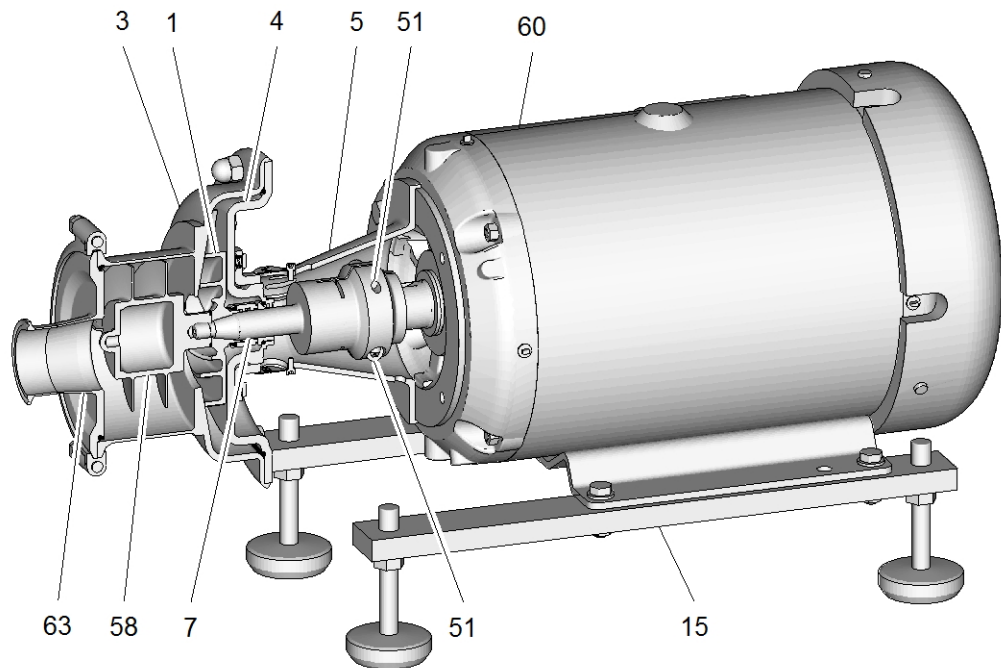


Fig.6

The pump consists of the following parts:

- Pump housing (4), pump cover (3), motor stool (5)
- Impeller (1), shaft (7), inducer (58), flange (63)
- A three-phase asynchronous motor (60)
- Cup-shaped feet carrier (15)

The pump shaft (7) is attached on the shaft end of the three-phase asynchronous motor.

The pump shaft is fixed axially by 2 cylinder screws (51).

The motor stool (5) allows the connection of different motor sizes to the pump.

The motor stool (5) connects the motor to the pump housing (4). It has 2 holes to indicate leakage.

Depending on the design, the pump has a single-acting (EW), a single-acting flushed (QU) or a double-acting mechanical seal (DW).

The slide-ring of the mechanical seal is carried along with the impeller by a pin.

The impeller is installed between the pump housing and the pump cover.

The inducer is located in inducer housing and is also used to secure the impeller.

The height and the horizontal orientation of the pump are set with 4 height-adjustable cup-shaped feet.

If necessary, the pump can be equipped with a stainless steel hood to protect the motor.

### **3.2 Functional description**

The centrifugal pump TPS is self-priming. It is also capable of evacuating suction pipelines even at negative liquid levels. The inducer generates a liquid ring in the inducer housing.

This liquid ring seals the inducer and the inducer housing from each other. Incoming gases are conveyed between the inducer hub and the liquid ring through the pump.

The impeller with its blades curved backward, rotates in the pump at the speed of the motor. The rotation of the impeller transmits energy in the form of centrifugal forces and speed increases to the conveying medium which is then pumped from the discharge nozzle.

The suction neck is positioned axially and eccentrically on the pump body.

The discharge nozzle is aligned tangentially upward on the body of the pump.

## 4 Transport and storage

### 4.1 Storage conditions

The storage facility must be covered and well-ventilated. Avoid high humidity.  
The pump must be drained at temperatures below the freezing point.

### 4.2 Transport

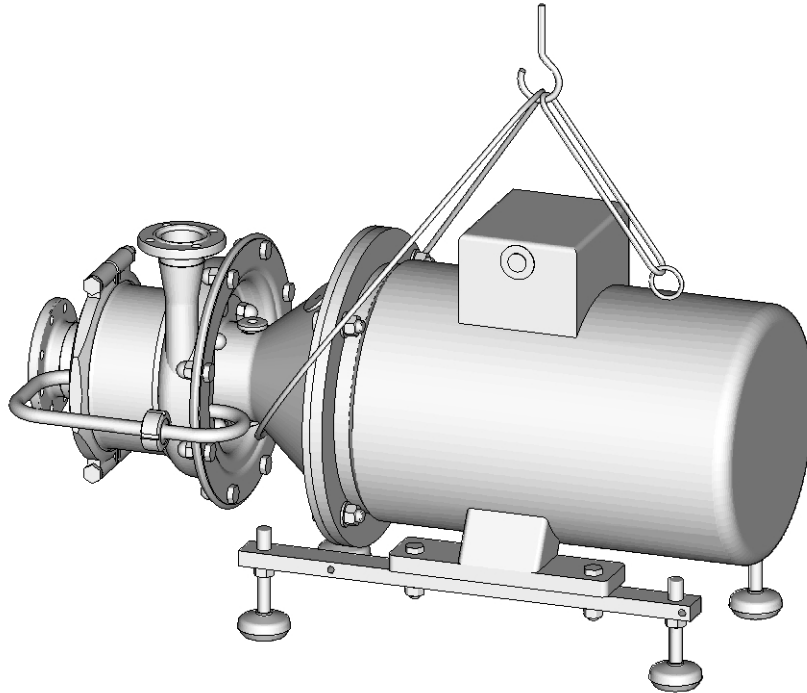


Fig.7: Transporting the pump

For transport, the following principles apply:

- The packaging units/pumps may only be transported with appropriate hoists and lifting devices. Observe the graphic symbols on the packaging.
- The pump must be transported as shown in the figure.
- Observe the pictograms on the package.
- Transport the pump carefully to prevent damage due to external force or careless loading and unloading.
- Only qualified personnel are allowed to transport the pump.
- Movable parts must be properly secured.
- Only use approved, fully functional load lifting devices and lifting accessories which are suitable for the intended purpose. Observe the maximum load-bearing capacities.
- Secure the pump against slipping. Observe the weight of the pump and the center of gravity position.
- Under no circumstances should anyone stand under a suspended load.

- Transport the pump carefully. Do not grip sensitive parts of the unit to lift or push the unit or to support yourself. Avoid putting the unit down with a jerk.

#### **4.2.1 Scope of supply**

After taking delivery of the pump, check if

- the details on the type plate correspond to the data in the order and delivery documents,
- the equipment is complete and all components are in good order.

Externally visible transport damage and / or missing packages must be indicated immediately on the freight note with the delivering forwarder. Written recourse must be taken immediately against the freight forwarder by the recipient and GEA must be informed about the process. Claims must be submitted within 6 days to the freight forwarder for transport damage that is not recognized immediately. The recipient will bear the cost of any damage claimed beyond this point.

## 5 Technical data

### 5.1 Type plate

The identification plate is used to distinctly identify the pump.

Fig.8: Type plate sample

The type plate provides the following key data:

Key data of the pump	
Type	Pump type and configuration
Motor	Motor type
Order	Order number and year of manufacture
Serial	Serial number

### 5.2 Technical data

Refer to the following tables for the key technical data:

#### 5.2.1 General operating data - nominal values

Sealing liquid pressure (type DW, double-acting slide-ring packing)	Min. 2 bar (29 psi) Max. 3 bar (43.5 psi) over operating pressure
Sealing liquid temperature (type DW, double-acting slide-ring packing)	up to 60 °C (140 °F) Max. 70 °C (158°F) temporarily
Sealing liquid pressure (type QU, single-acting slide-ring packing flushed with shaft sealing ring for barrier liquid)	up to 2000 rpm: Max. 0.35 bar (5 psi) up to 3500 rpm: Max. 0.2 bar (2.9 psi) (according to DIN 3760)

Sealing liquid temperature (type QU, single-acting slide-ring packing with shaft sealing ring for barrier liquid)	up to 60 °C (140 °F) Max. 70 °C (158°F) temporarily
Water consumption of sealing liquid	0.25 ... 0.5 l/min 0.066 ... 0.132 gpm (US)

### 5.2.2 Materials - product contacting

Pump housing	1.4404 / 316L
Pump shaft	1.4404 / 316L
Impeller	1.4404 / 316L
Shaft sealing  Standard alternative  Notes	Carbon - Silicon Carbide (C / SIC) Silicon Carbide - Silicon Carbide (SIC / SIC) Carbon - Stainless Steel (C / SS)  All slide-ring packings are available in single-acting, flushed or a double-acting flushed versions. Double-acting slide-ring packing in the standard program only in SIC/SIC.
Gaskets /seals	EPDM / FKM

### 5.2.3 Motor

	TPS 2030	TPS 3050	TPS 8050	TPS 8080
Motor	NEMA three-phase AC motor, design C-Face, make and version freely selectable, see motor selection table.			
Power range [hp]	1.5 ... 15	5 ... 30	10 ... 40	20 ... 60
Operating voltage (standard)*	208 ... 230 / 460V at 60 Hz			

\* Observe different operating voltages if the motors deviate from the standard

### 5.2.4 Specific operating data - nominal values

60 Hz/ 3500 rpm								
Size	Discharge, nominal		Discharge, maximum		Discharge head, nominal		Discharge head, maximum	
	[m³/h]	[gpm]	[m³/h]	[gpm]	[m]	[ft]	[m]	[ft]
TPS 2030	30	132	36	158.5	37	121.3	52	170.6
TPS 3050	59.5	261.9	69	303.7	61	200.1	95	311.6

60 Hz/ 3500 rpm								
Size	Discharge, nominal		Discharge, maximum		Discharge head, nominal		Discharge head, maximum	
	[m <sup>3</sup> /h]	[gpm]	[m <sup>3</sup> /h]	[gpm]	[m]	[ft]	[m]	[ft]
TPS 8050	82	361	115	506.3	53.5	175.5	72	236.2
TPS 8080	95.5	420.4	135	594.3	99	324.8	127	416.6

Size	Maximum allowable working pressure (MAWP) = feed pressure + max. output pressure (pump)		Permissible maximum feed pressure		Switching pressure nominal
	[bar]	[psi]	[bar]	[psi]	[dB(A)]
TPS 2030	16 bar	232	16 bar	232	80
TPS 3050	16 bar	232	16 bar	232	83
TPS 8050	16 bar	232	16 bar	232	84
TPS 8080	16 bar	232	16 bar	232	88



**Hint!**

TPS 8050 and TPS 8080 may not be operated below 50% of the best point.

Speed	max.	3500 rpm 60 Hz
Permissible operating temperature	[°C]	- 5 ... +100 ° C, +140 ° C for a temporarily (with corresponding sealing quality)
	[°F]	23 ... 212 ° F, 289 °F temporarily (with corresponding sealing quality)
Permissible ambient temperature	[°C]	- 16 ... + 40 °C
	[°F]	3 to 104 °F
Switching frequency	max.	15 switching operations

### 5.3 Resistance of Sealing Materials

The resistance of sealing materials depends on the type and temperature of the medium conveyed. The exposure time can adversely affect the service life of the seals. The sealing materials comply with the regulations of FDA 21 CFR 177.2600 or FDA 21 CFR 177.1550.

Resistance:

- + = good resistance
- o = reduced resistance
- - = no resistance

Sealing resistance table			
Medium	Temperature	Gasket material (general operating temperature)	
		EPDM -40...+135°C (-40...275°F)	FKM -10...+200 °C (+14...+392°F)
Caustics up to 3%	up to 80 °C (176°F)	+	o
Caustics up to 5%	up to 40 °C (104°F)	+	o
Caustics up to 5%	up to 80 °C (176°F)	+	–
Caustics at more than 5%		o	–
Inorganic acids up to 3%	up to 80 °C (176°F)	+	+
Inorganic acids up to 5%	up to 80 °C (176°F)	o	+
Inorganic acids up to 5%	up to 100 °C (212°F)	–	+
Water	up to 80 °C (176°F)	+	+
Steam	up to 135 °C (275°F)	+	o
Steam, approx. 30 min	up to 150 °C (302°F)	+	o
Fuels/hydrocarbons		–	+
Product with a fat content of max. 35%		+	+
Product with a fat content of more than 35%		–	+
Oils		–	+

\* Depending on the installation conditions

#### 5.4 Lubricants

Lubricants	Material no.
Rivolta F.L.G. MD-2	413-071
PARALIQ GTE 703	413-064

#### 5.5 Weights

Motor size	Performance [hp]	Number of poles	Weight [lb]			
			TPS 2030	TPS 3050	TPS 8050	TPS 8080
143T	1.0	2				
143T	1.5	2	91			

Motor size	Performance [hp]	Number of poles	Weight [lb]			
			TPS 2030	TPS 3050	TPS 8050	TPS 8080
145T	2.0	2	93			
182T	3.0	2	117			
184T	5.0	2	133	151		
213T	7.5	2	187	205		
215T	10.0	2	216	234	336	
254T	15.0	2	248	263	328	
256T	20.0	2		304	378	331
284TS	25.0	2		455	537	477
286TS	30.0	2		506	647	508
324TS	40.0	2			636	662
326TS	50.0	2				699
364TS	60.0	2				940

## 5.6 Torques

### Torques of the cap nuts and parts

Tighten the cap nuts and parts to the torques specified in the table.

Size	Torques [Nm]					
	Pump cover (48)		Lantern (47)		Inducer (58)	
	$M_{min}$	$M_{max}$	$M_{min}$	$M_{max}$	$M_{min}$	$M_{max}$
TPS 2030	35	39	35	39	45	50
TPS 3050	60	74	35	39	55	60
TPS 8050	95	100	35	39	90	95
TPS 8080	95	100	35	39	90	95

Size	Torques [ft lb]					
	Pump cover (48)		Lantern (47)		Inducer (58)	
	$M_{min}$	$M_{max}$	$M_{min}$	$M_{max}$	$M_{min}$	$M_{max}$
TPS 2030	25.8	28.8	25.8	28.7	33.2	36.9
TPS 3050	44.2	54.6	25.8	28.7	40.5	44.2
TPS 8050	70	73.7	25.8	28.7	66.4	70
TPS 8080	70	73.7	25.8	28.7	66.4	70

### Torques of the pump shaft

Tighten the pump shaft to the torque specified in the table.

Torques of the pump shaft		
Cylinder screw (51)	Torques	
	[Nm]	[ft lb]
M8	35	25.8
M10	70	51.6
M12	110	81.1

## 6 Assembly and installation

### 6.1 Safety instructions

Hazardous situations during installation can be avoided by safety-conscious and proactive behaviour of the personnel.

For installation, the following principles apply:

- Only qualified personnel are allowed to set-up, install and commission the pump.
- Ensure that adequate working and traffic areas are available at the place of installation.
- Observe the maximum load-bearing capacity of the installation surface.
- Observe the transport instructions and markings on the part(s) to be transported.
- Remove any nails protruding from transport crates immediately after opening the crate.
- Under no circumstances should anyone stand under a suspended load.
- Safety devices of the pump may not work effectively during installation.
- Reliably secure machine parts which have already been connected against inadvertently being switched on.
- Residue, contamination and dry running can damage the mechanical seal, the pump impeller, inducer and the entire pump. Therefore the entire system must be thoroughly cleaned before operating the pump.

### 6.2 Setting up the pump

Carry out the following steps:

1. Set up the pump so that there is sufficient air circulation for the motor and sufficient space for maintenance work.
2. Position the pump horizontally. Compensate for any unevenness in the floor with the height-adjustable cup-shaped feet.

→ The pump is now set up.

### 6.3 Installing the pipelines

Carry out the following steps:

1. Install pump free of stress in the piping system.
2. Connect the supply line at a low incline to the pump suction port so that no air pockets can form.



#### **Hint!**

**The suction line should be designed as short as possible and have small pipeline resistances so that no evaporation (cavitation) of the liquid can occur in the pump inlet.**

---

3. **For quench and double-acting mechanical seal: Lay lines for supply liquid.**  
The rinsing and sealing fluid must be clean. The feed at the bottom and the outlet at the top must be connected to vent the liquid chamber.

**Pay attention to the pressure of the supply liquid**

- Single-acting flushed mechanical seal (quench): 0.2 - 0.35 bar (2,9 - 5,07 psi).
- Double-acting mechanical seal: min. 2.0 bar (29 psi), max. 3.0 bar (43.5 psi) over max. possible pump internal pressure.

The max. possible pump internal pressure depends on several factors. They must be taken into consideration when specifying the sealing pressure:

Zero delivery head of the pump (bar) + feed height / system pressure / steam pressure (bar) + density of the feed medium( $t/m^3$ )

4. Only operate the pump during ongoing flushing.

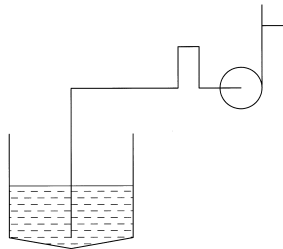
→ Pipeline is installed.

**Installation for operation with negative suction lift**



**Hint!**

Like all self-priming centrifugal pumps, the TPS pump requires a certain residual liquid in the pump. The pump must be filled with this liquid before it is started for the first time.

Negative suction lift			
TPS size	Liquid [gal]	Speed [rpm]	Figure
2030	0.76	3500	 <p>Fig.9</p>
3050	0.92	3500	
8050	1.69	3500	
8080	1.69	3500	

The pump must be operated at a minimum speed of 2900 rpm to convey gas particles > 10%. To ensure that the liquid remains in the pump and does not drain through the connected pipelines, the suction and pressure side piping must be designed as shown:

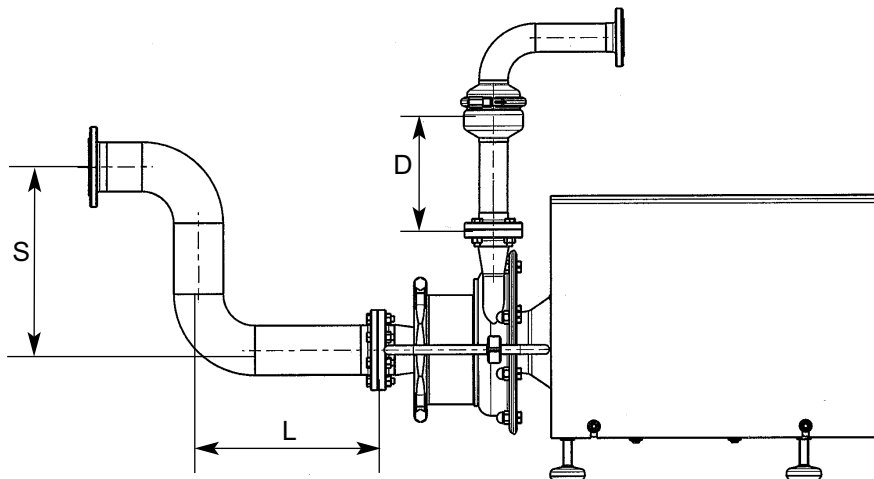


Fig.10

Suction and discharge side pipeline			
TPS size	Suction side (S)	Suction side (L)	Discharge side (D)
2030	0.65 ... 1.64 ft	1.64 ... 3.28 ft	4.92 ft
3050	0.65 ... 1.64 ft	1.64 ... 3.28 ft	4.92 ft
8050	0.65 ... 1.64 ft	1.64 ... 3.28 ft	4.92 ft
8080	0.65 ... 1.64 ft	1.64 ... 3.28 ft	4.92 ft

**⚠ Caution!**

**Danger of damaging the mechanical seal in pumps with a single-acting mechanical seal**

If the suction time is longer than  $t = 30$  s, dry running and damage to the mechanical seal can occur.

- ▶ In this case, a flushed (QU) or a double-acting mechanical seal (DW) must be used.

**Installation for operation with positive suction lift**

In order for the pump to create suction, some liquid must flow from the tank through the pipeline into the pump after the tank has been completely drained and refilled. The discharge port must always be aligned vertically and upward.

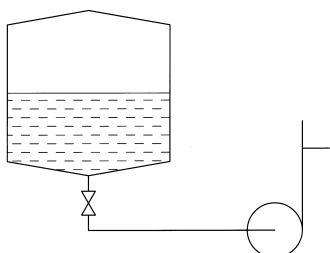


Fig.11

## 6.4 Connecting the motor

### **Danger**

Risk of injury / risk of material damage

- ▶ The motor must be connected and properly secured by authorized personnel in accordance with the relevant NEMA regulations.
- ▶ During the electrical connection of the pump, ensure that the direction of rotation of the impeller corresponds to the marking (see directional arrow on the pump discharge nozzle)

### **Caution!**

Exceeded voltage values can overload the drive motor

- ▶ The mains voltage must correspond to the specifications on the type plate of the motor.
- ▶ Make sure that the specified power values are not exceeded, so that the drive motor is not overloaded.
- ▶ Observe country-specific features.

Carry out the following steps:

1. Connect cable, see wiring diagram in terminal box cover.

→ The motor is connected.

### **Grounding**

#### **Motor**

The motor must be electrically grounded. An earthing clamp can be found in the terminal box of the motor for this purpose.

#### **Cup-shaped feet carrier**

We recommend grounding the cup-shaped feet carrier. Place a serrated washer under the screw (B) for this purpose.

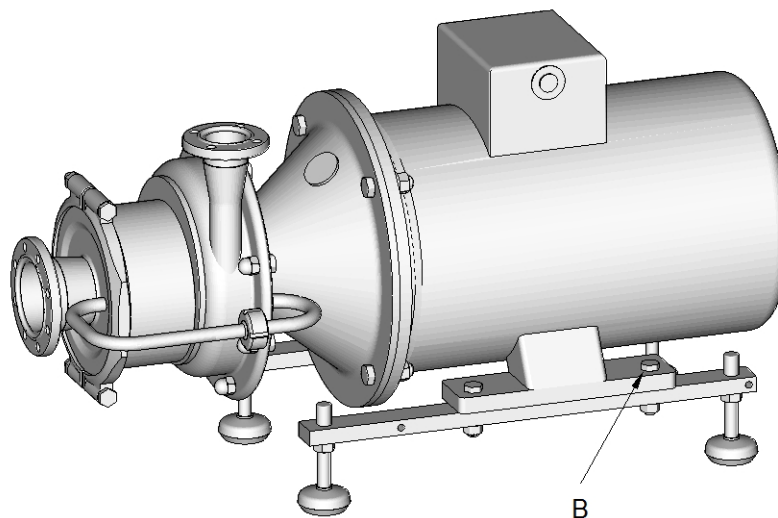


Fig.12

The GEA motor standard includes a thermostat for thermal monitoring. If necessary, these are connected accordingly for frequency converter operation. For this purpose there are 2 connections in the terminal box, which may appear different depending on the motor manufacturer. Please observe the enclosed operating manual of the motor manufacturer for connection of the thermostat.

## 6.5 Checking the direction of rotation

### **Caution!**

Gasket damage caused by dry running of the mechanical seal

- ▶ Check the direction of rotation only when the pump is fully installed and filled with liquid.

### **Caution!**

If the direction of rotation is wrong, there is a risk that the inducer will become loose and the pump will be damaged.

- ▶ The inducer must be replaced with the supplied nuts M14 in order to prevent damage during the direction of rotation test period.
- ▶ After the test, the inducer must be reinstalled at the correct tightening torque.

Carry out the following steps:

1. Replace the inducer with supplied M14 nuts.
2. Check the connections.
3. Fill the pump.

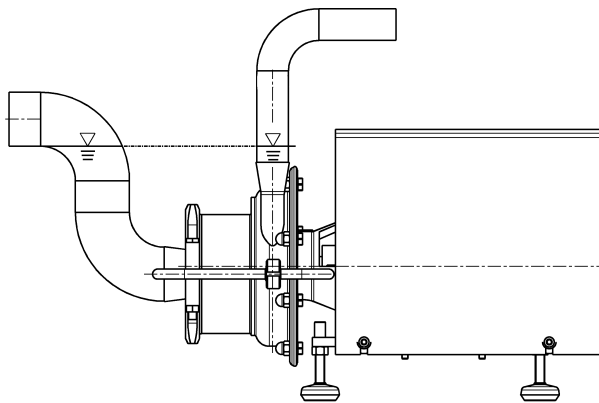


Fig.13

4. Switch on the motor
5. Observe the direction of rotation.  
The direction of rotation is seen from the motor to the pump is clockwise.  
Check the direction of rotation on the impeller after removing the cover.
6. After checking, reinstall the inducer at the correct tightening torque.  
→ Direction of rotation is checked.



**Hint!**

**! Check the tightening torque of the cap nut on the impeller if the pump has been started in the wrong direction of rotation after the inducer is installed. Failure to do so may result in the impeller becoming loose and damage.**

---

## 6.6 Checking the sealing liquid

(only for pumps with flushed or double slide-ring packing)



**Caution!**

Sealing damage caused by operation without connecting the sealing fluid.  
▶ Connect the sealing liquid before commissioning.

---

Carry out the following steps:

1. Check the sealing liquid.
    - Sealing liquid must be clean and not contain abrasive components.
    - Temperature of sealing liquid max. 60 °C (140 °F); temporarily 70 °C (158 °F).
- The sealing liquid is now checked.

## 6.7 Checking the suction side valves



**Caution!**

Damage caused by vacuum  
▶ The suction side may not be blocked during operation

---

Carry out the following steps:

1. Check suction side before commissioning.
    - ! Do not close the suction side valves during operation.
- The valves on the suction side are checked.

## **7 Start-up**

### **7.1 Safety instructions**

#### **Initial commissioning**

For initial commissioning, the following principles apply:

- Take protective measures against dangerous contact voltages in accordance with pertinent regulations.
- The pump must be fully assembled and properly adjusted. All screw connections must be securely tightened. All electrical cables must be installed correctly.
- Reliably secure machine parts which have already been connected against inadvertently being switched on.
- Relubricate all lubricating points.
- Make sure lubricants are used properly.
- After a modification to the pump a reassessment of residual risks is required.

#### **Commissioning**

For commissioning, the following principles apply:

- Only qualified personnel may commission the pump.
- Make sure that all connections are functioning properly.
- The safety devices on the pump must be completely installed, in working order and function properly. Check the function before starting any work.
- When switching on the pump, the danger zones must be clear.
- Remove any liquids that have escaped without leaving residues.

### **7.2 Notes on commissioning**

Before starting commissioning observe the following:

- Make sure that there are no foreign materials in the system.
- Clean the pipe system prior to the first product run.
- During commissioning, regularly check all sealing points for leaks. Replace defective seals.
- Before commissioning, check that all of the tools, such as the hexagon socket screwdriver (B), have been removed from the assembly opening.

## 8 Operation and control

### 8.1 Safety instructions

Dangerous situations during operation can be avoided by safety-conscious and proactive behaviour of the personnel.

For operation, the following principles apply:

- Monitor the pump during operation.
- Safety devices must not be changed, removed or taken out of service. Check all safety devices at regular intervals.
- All guards and hoods must be fitted as intended.
- The installation location of the pump must always be properly ventilated.
- Structural changes to the pump are not permitted. Report any changes to the pump immediately to the person in charge.
- Always keep danger zones clear. Do not leave any objects in the danger zone. Only allow persons to enter the danger zone when the machine is de-energized.
- Regularly check that all emergency stop devices are working correctly.

## 9 Cleaning

### 9.1 Cleaning

All parts in contact with product must be cleaned at regular intervals. Always observe the safety data sheets issued by the cleaning agent manufacturers. Only cleaning agents may be used which do not damage the seals and the interior parts of the pump.

The component manufacturer can only make a recommendation on the type of cleaning with respect to cleaning agents, temperature, times and intervals, but no binding information can be given. This should be determined or defined by the operating company according to each process.

The cleaning effect must be checked regularly by the operator!

#### 9.1.1 Cleaning Process Examples

##### Typical Cleaning Parameters in Dairy Operations

Example of a two-phase cleaning process:

- Sodium hydroxide solution and sodium hydroxide based combination products in concentrations from 0.5% to 2.5% at 75 °C (167 °F) to 80 °C (176 °F).
- Phosphoric or nitric acid, and combination products based thereon in the concentrations of 0.3 to 1.5% at approx. 65 °C (149 °F).

Example of a cleaning operation in one cleaning step:

- Formic acid and formic acid-based combination products at up to 85 °C (185 °F).

##### Typical Cleaning Parameters in Breweries

- Sodium hydroxide solution and sodium hydroxide based combination products in concentrations of 1% to 4% at about 85 °C (185 °F).
- Phosphoric or nitric acid, and combination products based thereon in the concentrations of 0.3 to 1.5% at 20 °C (68 °F).

#### 9.1.2 Cleaning effect

The cleaning effect depends on the following factors:

- Temperature
- Time
- Mechanics
- Chemicals
- Degree of soiling

These factors can be combined in such a way as to make an optimal cleaning result probable.

## 9.2 Steam sterilization

A steam sterilization of the pumps GEA Hilge TP and TPS is possible under the following conditions:

- Pumps with encapsulated mechanical seal type SHJ (EW, QW, DW)
- The pump may not be operated during steam sterilization
- The pump must be completely drained prior to steam sterilization via the drainage valve
- Steam sterilization is only possible for 30 minutes
- The steam temperature of 140 °C (289 °F) may not be exceeded
- The steam resistance of the sealing materials must be considered:
  - EPDM: good resistance
  - FKM: limited resistance (not recommended)

## 10 Maintenance

### 10.1 Safety instructions

#### Maintenance and repair

Before carrying out maintenance work and repairs to electrical devices on the pump, the following steps must be carried out according to the "5 safety rules":

- Isolate from the power supply
- Take appropriate measures to prevent switch on
- Test absence of voltage
- Earthing and short-circuiting
- Cover or safeguard any adjacent live parts.

For maintenance and repair, the following principles apply:

- Observe the intervals specified in the maintenance schedule.
- Only qualified personnel may carry out maintenance or repair work on the pump.
- The pump must be switched off and secured against being switched back on before maintenance or repair work. Work may only be started once any residual energy has been discharged.
- Block access for unauthorized persons. Put up notice signs which draw attention to the maintenance or repair work going on.
- Do not climb on the pump. Use suitable access aids and working platforms.
- Wear suitable protective clothing.
- Only use suitable and undamaged tools to carry out maintenance work.
- When replacing parts only use approved, fully functional load lifting devices and lifting accessories which are suitable for the intended purpose.
- Before setting the unit back into operation refit all safety devices as originally provided in the factory. Then check that all safety devices are working correctly.
- Make sure lubricants are used properly.
- Check pipes are firmly secured, also check for leaks and damage.
- Check that all emergency stop devices are working correctly.

#### Disassembly

For disassembly, the following principles apply:

- Only qualified personnel are allowed to remove the pump.
- The pump must be switched off and secured against being switched back on before it is dismantled. Work may only be started once any residual energy has been discharged.
- Disconnect all power and utility lines.

- Markings, e.g. on lines, must not be removed.
- Do not climb on the pump. Use suitable access aids and working platforms.
- Mark the lines (if unmarked) prior to disassembly to ensure they are not confused when re-assembling.
- Protect open line ends with blind plugs against ingress of dirt.
- Pack sensitive parts separately.
- For longer periods of standstill, observe the storage conditions, see Section 4.1, Page 18.

## 10.2 Inspections

The pump is maintenance-free for the most part.

In order to prevent possible malfunctions, GEA recommends that regular visual inspections be carried out. Special attention should be paid to the leak tightness and the correct functioning of the pump.

In order to ensure maximum operational safety of the pump wear parts, such as the mechanical seal and O-rings, should be checked after 2000 hours of operation and replaced if necessary.

In any case, all seals must be checked and, if necessary, replaced during disassembly of the pump.

## 10.3 Maintenance intervals

To ensure the highest operational reliability, all wearing parts should be replaced at longer intervals.

The actual maintenance intervals can only be determined by the user since they depend on the operating conditions, for instance:

- daily period of use,
- switching frequency,
- type and temperature of the product,
- type and temperature of the cleaning solution,
- ambient conditions.

Maintenance Intervals	
Applications	Maintenance intervals (guideline values)
Media at temperatures of 60 °C to 130 °C (140 °F to 266 °F)	approx. every 3 months
Media at temperatures of < 60 °C (< 140 °F)	approx. every 12 months

## 10.4 Prior to disassembly

Requirement:

- Make sure that during maintenance and repair work no process is in operation in the area concerned.

Carry out the following steps:

1. Close all of the shut-off devices in the suction and pressure line.
2. Drain all piping elements leading to the pump and clean or flush if necessary.
3. Drain the pump completely.  
! If hazardous liquids should leak observe the precautions according to data sheet of the hazardous liquid and handle/dispose of the leaked liquid properly.
4. Disconnect the power supply.
5. Disconnect the pump motor from the electrical power supply.
6. Remove the pump from the pipeline, drain and allow to cool down to room temperature.

→ Done

## 10.5 Disassembly

### 10.5.1 Removing the inducer and pump cover

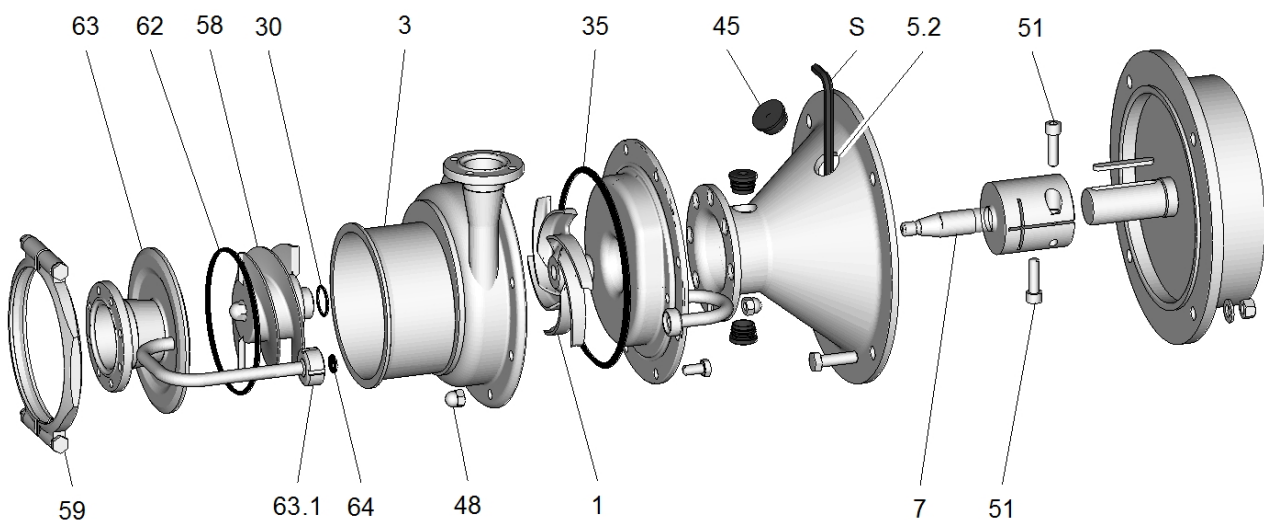


Fig.14: Removing the inducer and pump cover

Requirement:

- Pump motor is disconnected from the power supply
- Pump has been removed from the pipeline, drained and cooled down to room temperature.

Carry out the following steps:

1. Check the gaskets (suction and discharge port) and replace them necessary.

2. Loosen the union nut (63.1).
3. Remove the half rings (59).
4. Pull the flange (63) out of the pump cover (3).
5. Check the O-ring (62, 64) and replace it if necessary.
6. Insert the hexagon socket screwdriver (S) into the motor stool hole (5.2).
7. Turn the inducer (58) until the hexagon socket screwdriver (S) locks into the hexagon socket head.  
→ The shaft (7) is then secured against twisting.
8. Unscrew the inducer (58).
9. Check the O-ring of the inducer (30) and replace it if necessary.
10. Screw the supplied nut M 14 onto the shaft (7) instead of the inducer (58).
11. Loosen the cap nuts (48) and remove the pump cover (3).
12. Check the housing-O-ring (35) and replace it if necessary.  
→ The inducer and the pump cover are dismantled.  
→ The impeller (1) is now loose and can be removed together with the slide-ring in the following work steps.

### 10.5.2 Removing the single-acting mechanical seal EW

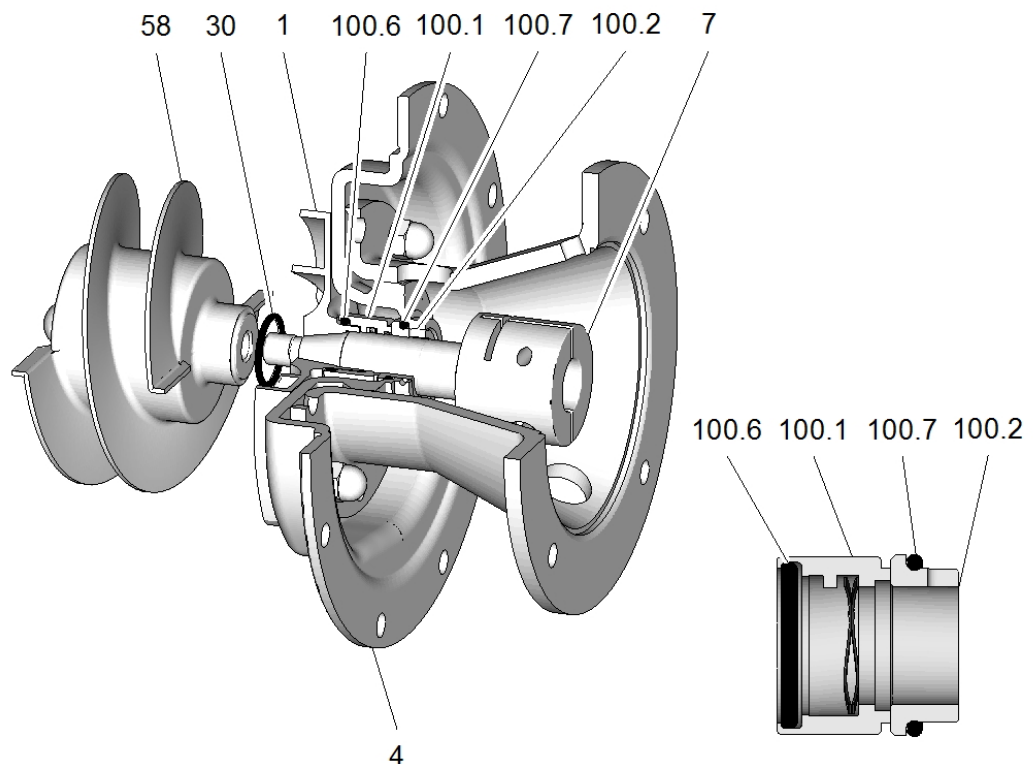


Fig.15: Mechanical seal EW (A) with detail drawing

If there are leaks or wear on the mechanical seal, remove and replace it.

**Notice**

**The pump shaft (7) is a sensitive component.**

Damage to this part can result in malfunctions.

► Do not damage pump shaft (7) when disassembling the mechanical seal.

Carry out the following steps:

1. Pull the impeller (1) together with the integrated driver ring, slide-ring (100.1), O-ring (100.6) from the shaft (7).
2. Press the counter-ring (100.2) and the O-ring (100.7) out of the pump housing (4) from the rear.



**Hint!**

The further disassembly of the pump is only necessary in certain cases, for example in the case of a defective motor.

For details, see Section 10.5.5, Page 43. For installation see Section 10.8.1, Page 45.

→ Single-acting mechanical seal EW is disassembled.

**10.5.3 Removing the single-acting flushed mechanical seal QU**

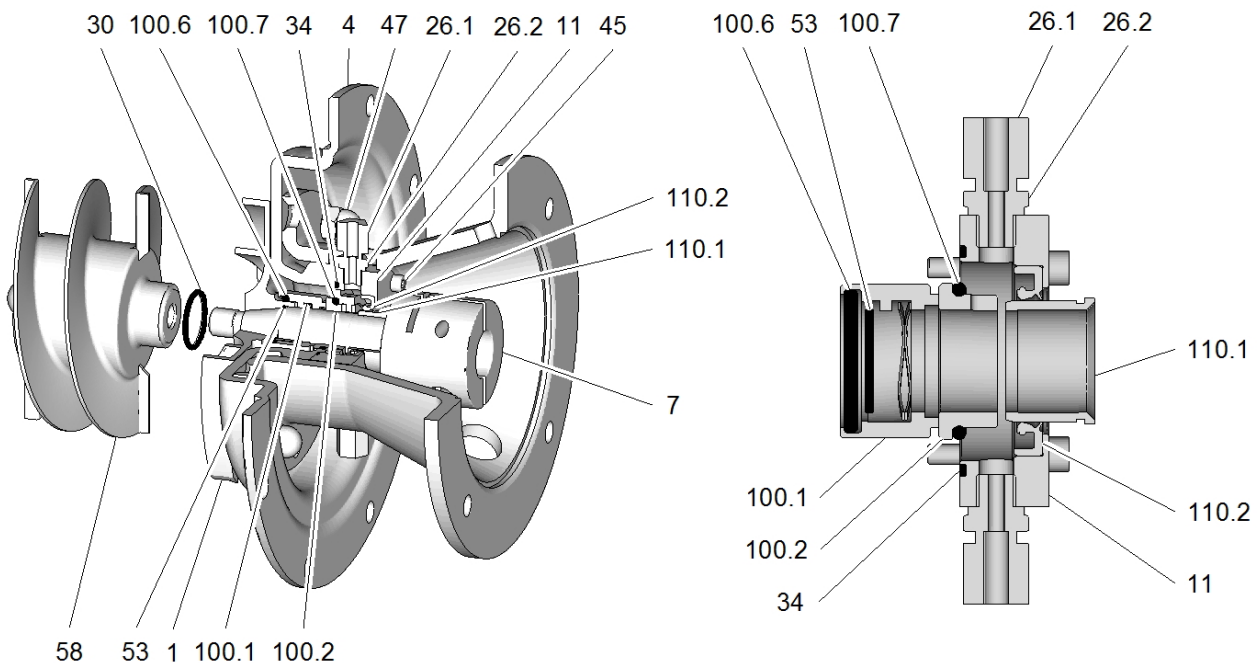


Fig.16: Single-acting flushed mechanical seal QU (A) with detail

If there are leaks or wear on the mechanical seal, remove and replace it.

### Notice

#### **The pump shaft (7) is a sensitive component.**

Damage to this part can result in malfunctions.

► Do not damage pump shaft (7) when disassembling the mechanical seal.

Carry out the following steps:

1. Pull the impeller (1) together with the integrated driver ring, O-ring (53), slide-ring (100.1), and O-ring (100.6) from the shaft (7).
2. Unscrew the union nut (26.1) from the screwed insert connection (26.2).
3. Unscrew the screwed connections (26.2) from the slide-ring mounting (11).
4. Loosen the cap nut (47) and push the pump housing (4) out forward.
5. Unscrew the hexagon socket screw (45) and remove the pump housing together with the slide-ring mounting (11).
6. Remove the radial shaft gasket (110.2) from the slide-ring mounting (11).
7. Check the surface of the shaft protection sleeve (110.1) and replace if damaged.
8. Remove the O-rings (34) from the slide-ring mounting (11).
9. Remove the counter-ring (100.2) and the O-ring (100.7) from the pump housing (4).



#### **Hint!**

**The further disassembly of the pump is only necessary in certain cases, for example in the case of a defective motor.**

**For details, see Section 10.5.5, Page 43. For installation see Section 10.8.1, Page 45.**

→ Single-acting flushed mechanical seal QU (A) is dismantled.

#### **10.5.4 Removing the double-acting mechanical seal DW**

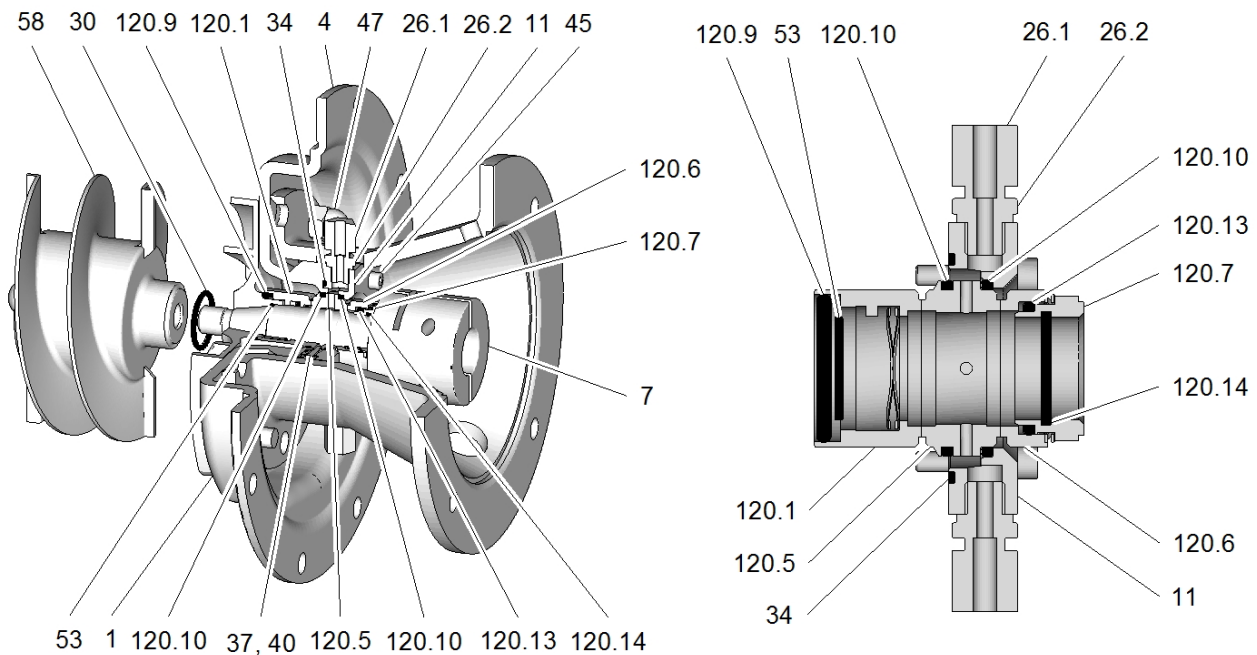


Fig.17: Double-acting mechanical seal DW (A) with detail

If there are leaks or wear on the mechanical seal, remove and replace it.

### Notice

**The pump shaft (7) is a sensitive component.**

Damage to this part can result in malfunctions.

► Do not damage pump shaft (7) when disassembling the mechanical seal.

Carry out the following steps:

1. Check to see if the hexagon socket screwdriver locks the shaft.
2. Unscrew the inducer (58).
3. Pull the impeller (1) together with the integrated driver ring and the O-ring (53) and the slide-ring (120.1) together with the O-ring (120.9) from the shaft (7).  
! When using tools, make sure that the slide-ring (120.6) and the counter-ring (120.5) of the atmospheric mechanical seal are not damaged.
4. Unscrew the union nut (26.1) from the screwed insert connection (26.2).
5. Unscrew the screwed connections (26.2) from the slide-ring mounting (11).
6. Loosen the cap nut (47) and push out the pump housing (4) together with slide-ring mounting (11) and the counter-ring (120.5) forward.
7. Unscrew the locking screws (40) with the flat sealing ring (37) and push the counter-ring (120.5) and O-rings (120.10) out of the rotary ring holder (11) forward.
8. Unscrew the hexagon socket screws (45) and take the slide-ring mounting (11) out of the pump housing (4).
9. Remove the O-rings (34) from the slide-ring mounting (11).

10. Remove the slide-ring (120.6) on the atmosphere side and the O-ring (120.13) from the shaft (7).
11. Check driver ring (120.7) and O-ring (120.14) and replace them if damaged.



**Hint!**

The further disassembly of the pump is only necessary in certain cases, for example in the case of a defective motor.

For this purpose see Section 10.5.5, Page 43, For installation see Section 10.8.1, Page 45.

→ Double-acting mechanical seal DW is dismantled.

### 10.5.5 Removing the motor

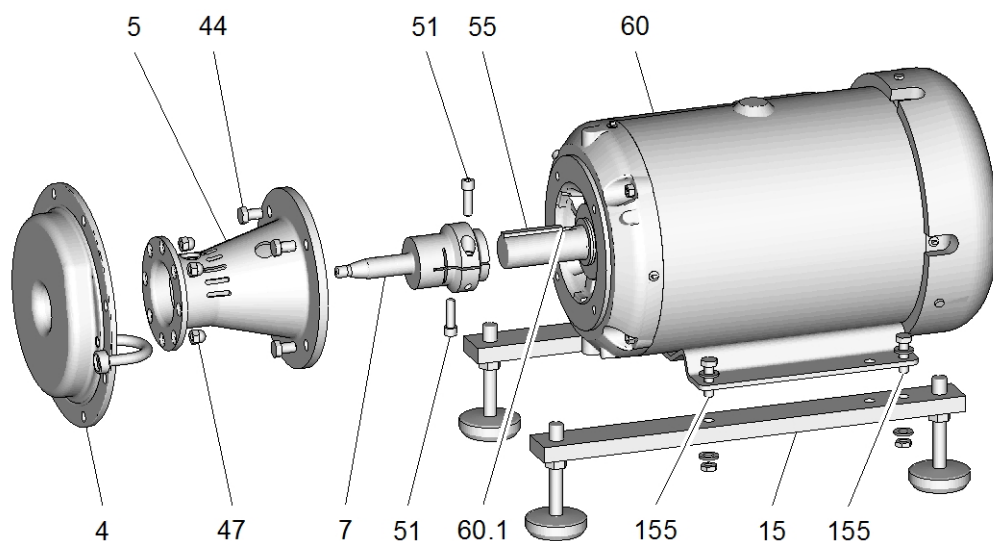


Fig.18

### Notice

**The pump shaft (7) is a sensitive component.**

Damage to this part can result in malfunctions.

- ▶ Make sure to unscrew the cylinder screws (51) before removing the shaft (7) from the motor.

Carry out the following steps:

1. Unscrew the 4 cap nuts (47) from the lantern (5).
2. Pull the pump housing (4) from the lantern (5).
3. Loosen the hexagonal screws (44).
4. Pull the lantern (5) down evenly from the motor (60).
5. Remove the cylinder screws (51) from the shaft (7).
6. Pull off the shaft (7).
7. Remove the flat key (55) from the motor shaft (60.1).

8. Loosen the screws (155) and separate the cup-shaped feet carrier (15) from the motor (60).

→ Motor is disassembled.

## **10.6 Maintenance**

### **10.6.1 Single-acting slide-ring packing EW**

Carry out the following steps:

1. Check the counter-ring (100.2), the slide-ring (100.1) and the O-rings (100.6, 100.7) of the slide-ring packing for wear and replace the entire slide-ring packing if damaged.

For this purpose see chapter Section 10.5, Page 38

→ Done

### **10.6.2 Single-acting slide-ring packing QU (A)**

Carry out the following steps:

1. Check the counter-ring (100.2), the slide-ring (100.1) and the O-rings (100.6, 100.7, 53) of the slide-ring packing for wear and replace the entire slide-ring packing if damaged.
2. Check seals on the slide-ring mounting (34) and replace if necessary.
3. Replace the radial shaft gasket (110.2).
4. Check the shaft protection sleeve (110.1) for damage and, if necessary, replace it. The shaft protection sleeve is shrunk onto the pump shaft in the factory. If the shaft protection sleeve can not be pulled off, it is advisable to contact the GEA service department in this case.
5. Dispose of used slide-ring packing parts appropriately or return them to GEA.

→ Done

### **10.6.3 Double-acting slide-ring packing DW (A)**

Carry out the following steps:

1. Check the counter-ring (120.5), the slip ring (120.1) and the O-rings (120.9, 120.10, 53) of the product-side slide-ring packing for wear and replace completely if necessary.
2. Check the counter-ring (120.5), the slip ring (120.6) and the O-rings (120.13) of the atmospheric-side slide-ring packing for wear and replace if necessary.
3. Check gasket (34) on the slide-ring mounting (11) and replace if necessary.
4. Dispose of used slide-ring packing parts appropriately or return them to GEA.

→ Done

## 10.7 Prior to installation

Before installation, carefully clean all parts, especially the parts which are in contact with the product. No dirt, grease or other particles may adhere to the parts.

## 10.8 Installation

Assemble the pump in the reverse order of the disassembly sequence. Observe the notes and instructions given in the following sections when doing so.

### 10.8.1 Installing the motor

Before installation, it is important to ensure that a motor is used in accordance with the GEA Tuchenhausen specification and that the required axial clearance and the permissible axial forces of the motor are maintained.

Also make sure that the motor is equipped with an A-side fixed bearing.

Before installing the pump flange, make sure that the motor flange fits into the open recesses of the pump flange.

The installation is carried out in the reverse order of the disassembly sequence.

Carry out the following steps:

1. Install the cup-shaped feet carrier (15) on the motor (60) with the screws (155).
2. Check shaft end and shaft surface for damage and if necessary eliminate the damage.
3. Degrease the motor shaft (60.1).
4. Insert one half of the flat key (55) into the groove of the motor shaft (60.1).
5. Push the shaft (7) onto the shaft (60.1) of the motor.
6. Tighten the cylinder screws (51) temporarily by hand.



#### Hint!

**The axial gaps are adjusted in a later step. Thereafter, the cylinder screw must be tightened to the specified torque.**

---

7. Install the lantern (5) on the flange (60.2) of the motor with 4 screws (44) together with washers and nuts.

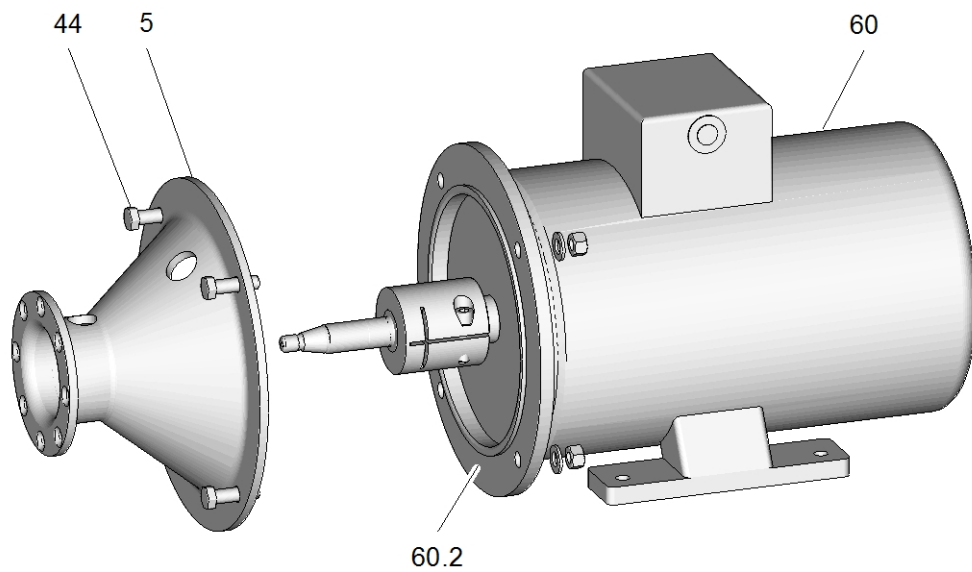


Fig.19

! Make sure that the drain borehole (5.2) is always pointing downward, see figure.

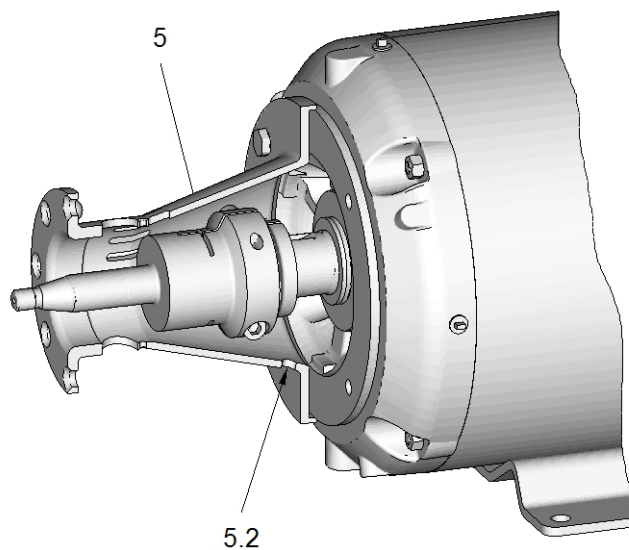


Fig.20

→ The motor is installed.

### 10.8.2 Installing the mechanical seal

Install the mechanical seal in the reverse order of the disassembly sequence. In doing so observe the following instructions:

- Carry out the installation under clean conditions and very carefully.
- Do not apply force! Otherwise there is the risk of permanent deformation and breakage of the ceramic parts.

- To reduce friction during installation, lubricate all sliding surfaces for O-rings with silicone grease.
- GEA recommends Rivolta F.L.G. MD-2, PARALIQ GTE 703 and grease BARRIERTA L 55/3\*. These lubricants are approved for foodstuff and are resistant to beer froth. They have the NSF-H1 (USDA H1) registration. They do not affect the taste or the consistency of the products and are compatible with the seals in contact with product. PARALIQ GTE 703 can be ordered under the material no. 413-064, Rivolta F.L.G. MD-2 under the material no. 413-071 and grease BARRIERTA L 55/3\* under the material no. 413-137 from GEA.
- Degrease the sliding surfaces of the mechanical seal before installation.
- Apply a thin layer of silicone grease on the O-ring.
- Make sure that the O-rings are correctly inserted.
- Degrease the sliding surfaces of the mechanical seal with alcohol before installation.
- Tighten the nut (9) to specified level of torque M 20 Nm.
- When installing the motor stool (5) to the pump housing (4) with 4 cap nuts (47) ensure that the cap nuts (47) are tightened at the appropriate torque, see torque table Section 5.6, Page 24.

#### 10.8.2.1 Installing the single slide-ring packing EW

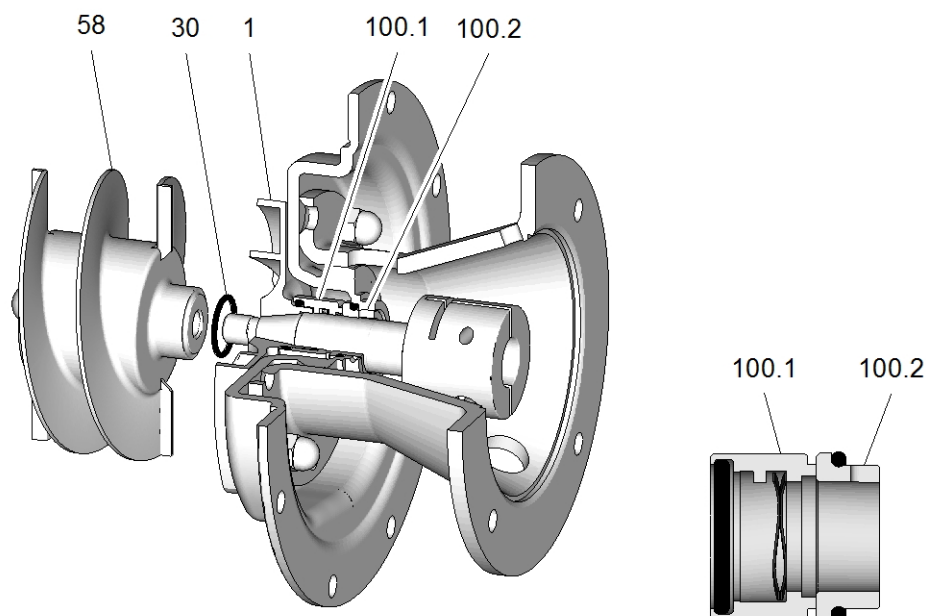


Fig.21: Slide-ring packing EW with detail drawing

Observe the following instructions when installing the slide-ring packing:

- The driver pins 2 in the slide-ring (100.1) must engage in the grooves of the impeller (1) with the integrated driver ring.

- The sliding surfaces of the slide-ring (100.1) and the counter-ring (100.2) must be free of grease.

### 10.8.2.2 Installing the single-acting slide-ring packing, flushed QU

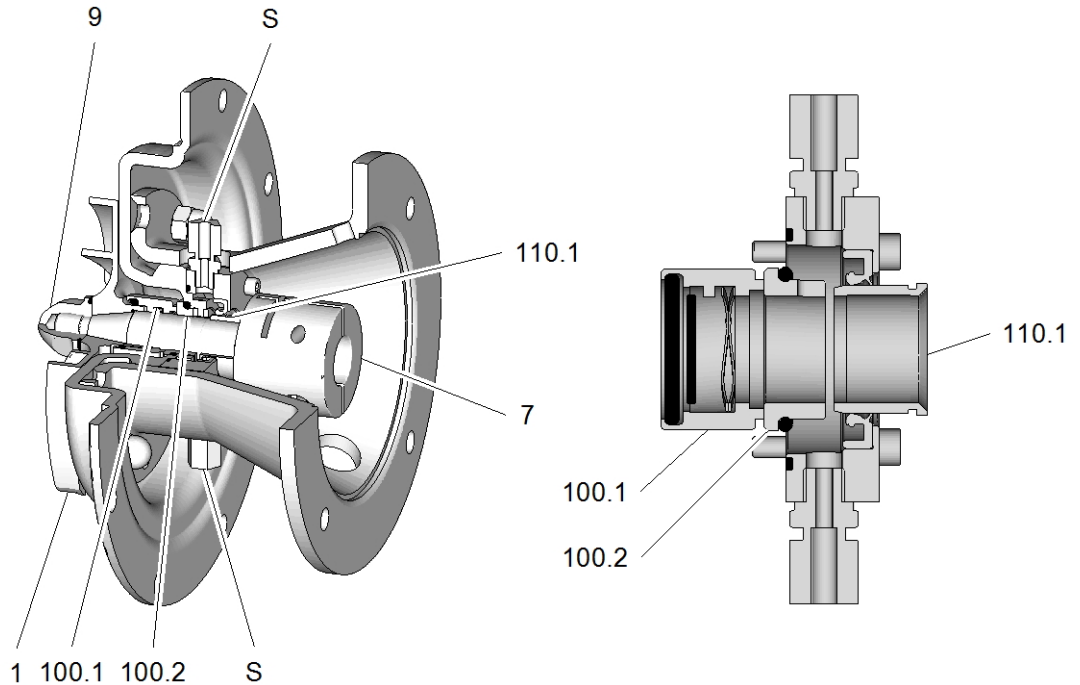


Fig.22: Single-acting slide-ring packing, flushed QU, with detail drawing

Observe the following instructions when installing the slide-ring packing:

- The 2 flushing holes (S) must be in a vertical alignment so that the air can escape from the flushing chamber.
- Check the shaft protection sleeve (110.1) for correct fit. The shaft protection sleeve (110.1) must be pressed on until it rests against the shoulder of the shaft (7).
- The driver pins 2 in the slide-ring (100.1) must engage in the grooves of the impeller (1) with the integrated driver ring.
- The sliding surfaces of the slide-ring (100.1) and the counter-ring (100.2) must be free of grease.

### 10.8.2.3 Installing the double-acting slide-ring packing DW

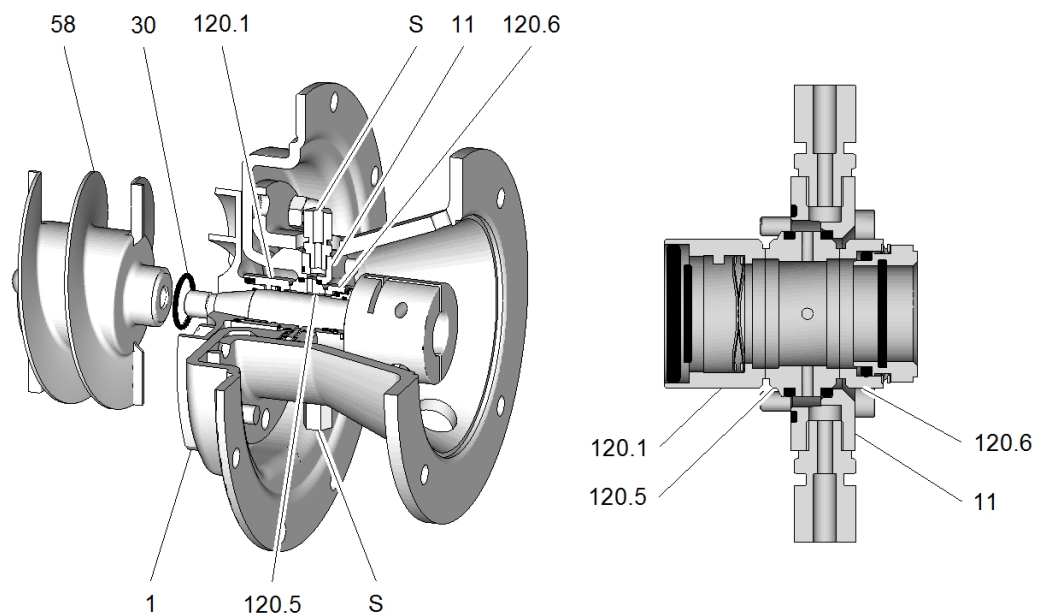


Fig.23: Double-acting slide-ring packing DW with detail drawing

Observe the following instructions when installing the slide-ring packing:

- The 2 flushing holes (S) must be in a vertical alignment so that the air can escape from the flushing chamber.
- The atmospheric side-ring (120.6) must be pressed through the pump housing (4) and into the slide-ring mounting (11) so that the locking borehole of the slide-ring mounting (11) coincides with the borehole of the atmospheric side slide-ring (120.6).
- The 2 driver pins in the slide-ring (120.1) must engage in the grooves of the impeller (1) with integrated driver ring.
- The sliding surfaces of the slide-ring (120.1, 120.6) and the counter-ring (120.5) must be free of grease.

### 10.8.3 Converting the slide-ring packing

### 10.8.3.1 Convert single-acting mechanical seal EW to mechanical seal, flushed QU

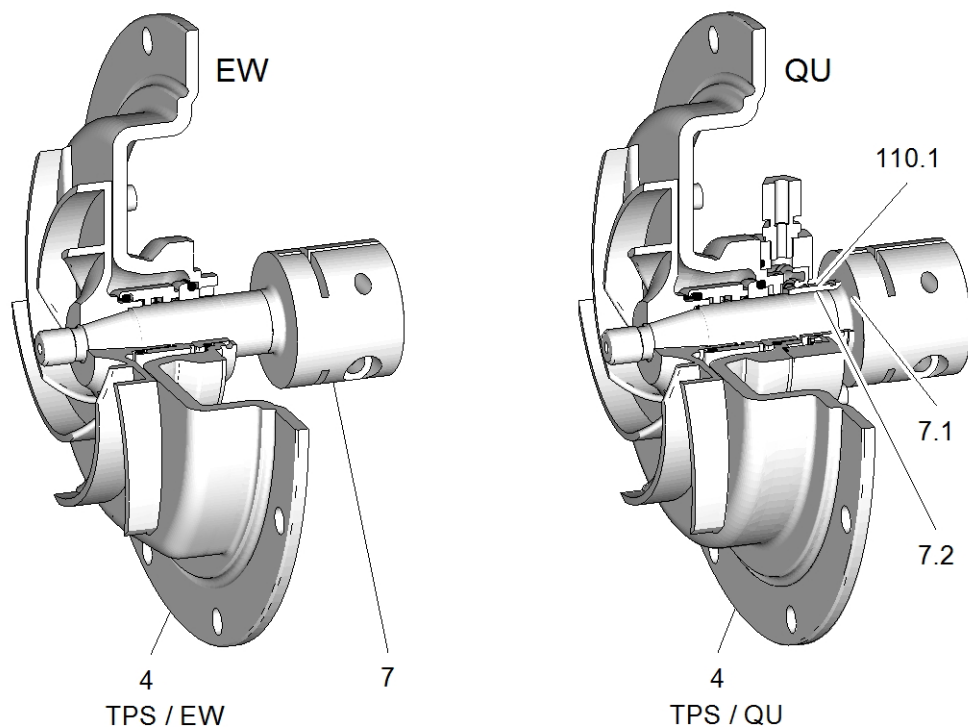


Fig.24: Conversion of the shaft seal

7.2	Press fit
-----	-----------

The slide-ring packing of the centrifugal pump TPS can be converted from the version EW to the version QU.

In doing so the following must be observed:

- Replace the pump housing TPS / EW (4) with the version of the pump housing TPS / QU or convert the existing housing. The manufacturer has further information for this purpose.
- The pump shaft (7) must be equipped with the shaft protection sleeve (110.1). The shaft protection sleeve must be pressed on until it rests against the shoulder of the shaft (7.1). The press-fit is carried out the easiest by heating the shaft protection sleeve and by uniformly raising it with a suitable soft hollow mandrel, for example one made of brass. We recommend having this carried out at GEA if these options are not available.
- The existing mechanical seal EW can be used completely, if undamaged.

The removal and installation of the mechanical seal is carried out as described in the previous pages.

### 10.8.3.2 Convert single-acting mechanical seal EW to double-acting mechanical seal DW

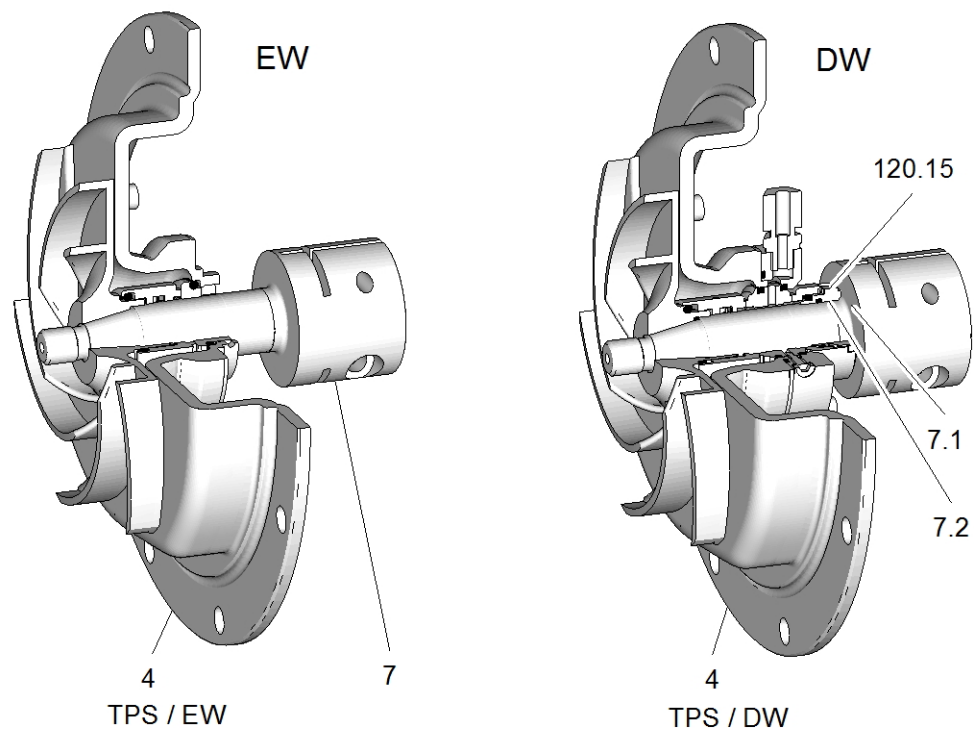


Fig.25: Converting the mechanical seal

7.2	Press fit
-----	-----------

The slide-ring packing of the centrifugal pump TPS can be converted from the version EW to the version DW.

In doing so the following must be observed:

- The pump housing TPS/EW (4) must be replaced with the version TPS/DW pump housing.
- The pump shaft (7) must be equipped with the driver ring (120.15). The driver ring must be pressed on until it rests against the shoulder of the shaft (7.1). The press-fit is carried out the easiest by heating the driver ring (120.15) and by uniformly raising it with a suitable soft hollow mandrel, for example one made of brass. We recommend having this carried out at GEA if these options are not available.
- The existing mechanical seal EW cannot be used. It is replaced by the mechanical seal DW.

The removal and installation of the mechanical seal is carried out as described in the previous pages.

### 10.8.4 Adjusting the axial gap

**⚠ Caution!**

If the axial gap is not adjusted correctly, the impeller may come in contact with the pump housing and damage both parts.

- Each time the pump shaft (7) is loosened the axial gap (S1) between the impeller (1) and the pump cover (3) must be adjusted according to the table.

Pump type	Axial gap S1 between cover (3) and impeller (1)	
	[mm]	[inch]
TPS 2030	0.3	0.0118
TPS 3050	0.5	0.0196
TPS 8050	0.5	0.0196
TPS 8080	0.5	0.0196

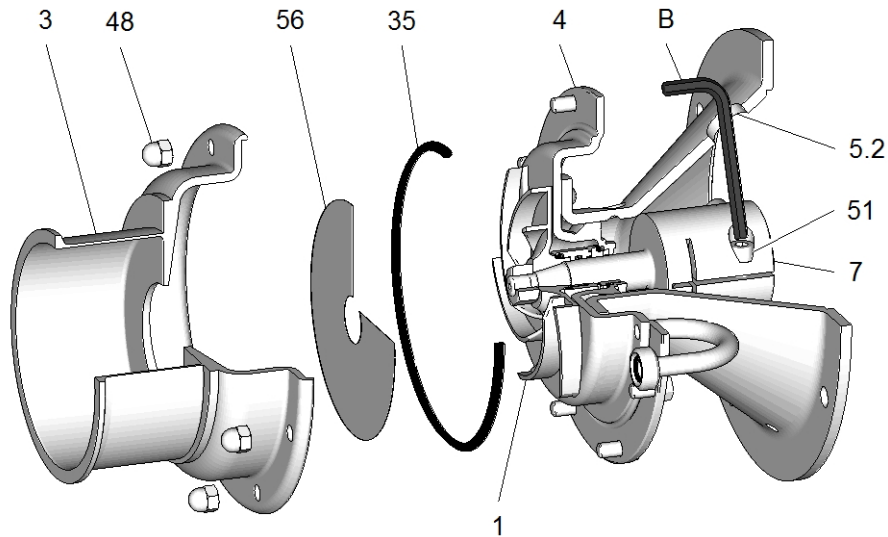


Fig.26: Pump TPS

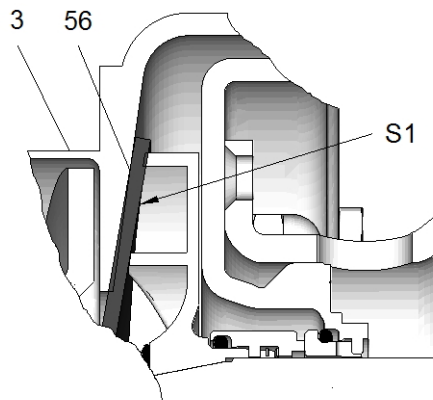


Fig.27: Pump TPS, detail

Tools required:

- Spacer disc for adjusting the axial gap (S1)

Carry out the following steps:

1. Insert the hexagon socket screwdriver (B) into the motor stool hole (5.2) and turn the impeller (1) until the hexagon socket screwdriver (B) engages the hexagon socket head (51).
2. Unscrew the cylinder bolts (51) to separate the shaft (7) from the motor shaft.
3. Screw the inducer (58) or nut (9) supplied onto the shaft to the specified tightening torque (see Section 5.6, Page 24) in order to secure the impeller
4. Pull the impeller (1) together with the shaft (7) forward by a few millimetres.
5. Place the spacer disc (56) in front of the impeller and secure the pump cover (3) without the O-ring (35) - with 4 screws (48) evenly distributed over the hole circle. As a result, the impeller and the shaft are pushed into the correct setting position.
6. Tighten the cylinder screws (51) of the pump shaft (7) to specified torque, see table Page 24.



**Hint!**

**The cylinder screws for the required torque have a strength class of A4-80. The use of lower strength class crews is not permitted.**

---

7. Remove the screws (48) and take off the pump cover (3).
  8. Remove the spacer disc (56).
- Done.

### 10.8.5 Installing the pump cover

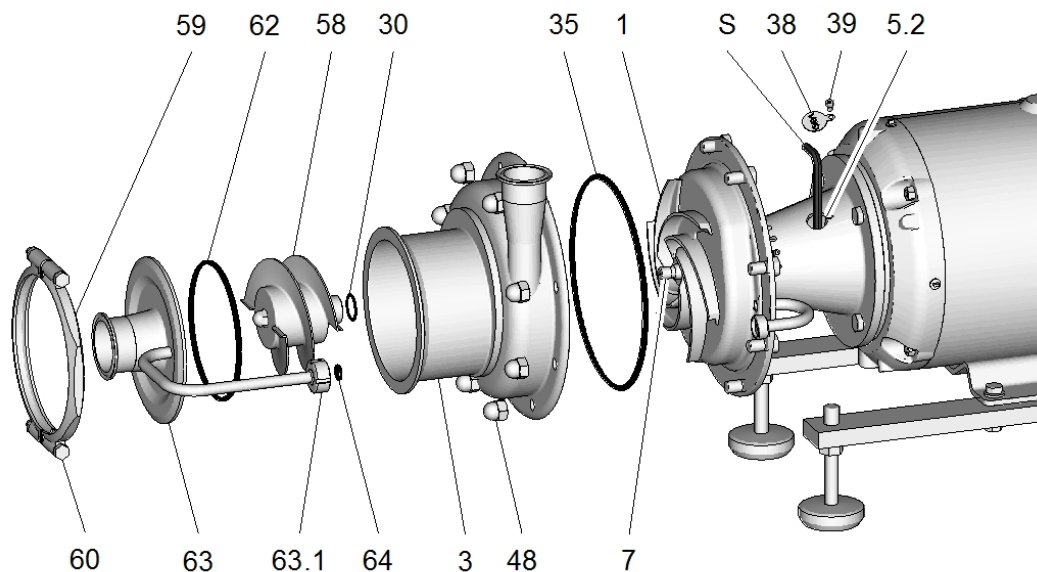


Fig.28

Carry out the following steps:

1. Grease O-ring (35) and install on the pump housing.
2. Install the pump cover (3). In doing so, tighten all cap nuts (48) evenly crosswise and observe the corresponding torques, see Section 5.6, Page 24.
3. Push the round stopper (45) into the lantern hole.
4. Insert the hexagon socket screwdriver (S) into the lantern hole (5.2). Turn the impeller (1) until the hexagon socket screwdriver (S) locks into the hexagon socket head. The shaft (7) is then secured against twisting. Unscrew the nut (9) from the shaft (7). Grease the O-ring (30) and insert it into the groove provided on the inducer (58). Screw the inducer (58) onto the shaft (7) and tighten at the appropriate torque, see Section 5.6, Page 24.
5. Remove the hexagon socket screwdriver (S) from the lantern hole (5.2).
6. Grease the O-ring (64) and insert it into the screwed pipe joint DN 10 from the flange (63). Grease the O-ring (62) and insert it into the groove provided on the flange (63). Insert the flange (63) into the pump cover (3). In doing so, make sure that the pipe connection DN 10 is correctly installed. Tighten the union nut (63.1) by hand. Install the half rings so that the screws (60) are level.
7. Tighten the nuts on the half rings (59) to a torque of 45 Nm (33 lbft).
8. Tighten the union nut (63.1).

→ Pump cover is installed.

## 11 Drainage valve VTP

### 11.1 Intended use - drainage valve VTP

The drainage valve VTP is used for residual draining (complete draining) of GEA Hilge centrifugal pumps. The drainage valve can be operated manually or pneumatically.

### 11.2 Retrofitting of the drain valve VTP

Requirement:

- Pump motor is disconnected from the power supply
- Pump has been removed from the pipeline, drained, cleaned and flushed.

Carry out the following steps:

1. Replace the pump cover with one that is designed for the installation of the drainage valve, see replacement parts.
2. Install the drainage valve on the lowest point of the corresponding pump cover, see figure.

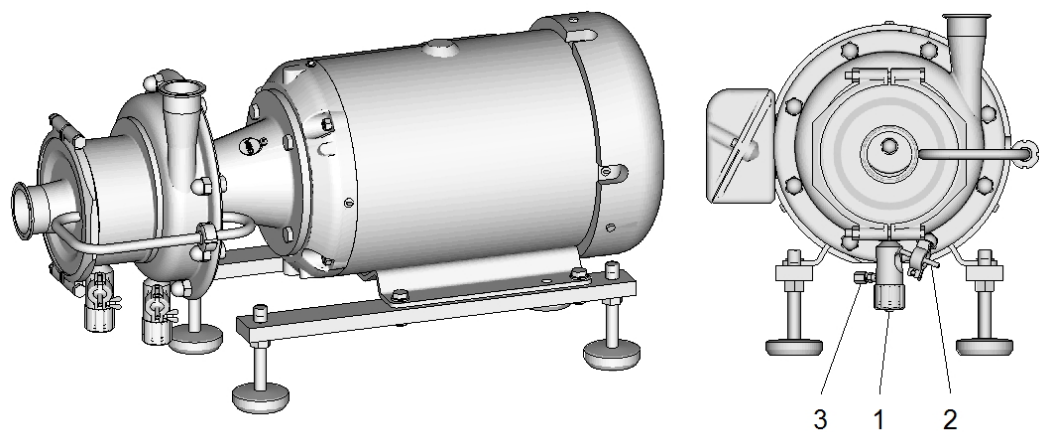


Fig.29

1	Drainage valve
2	Drainage connection
3	Air connection

→ Drainage valve VTP is installed.

### 11.3 Troubleshooting - drainage valve VTP

In the event of a malfunction, the drainage valve must be switched off immediately and secured against being switched back on. Malfunctions may only be remedied by qualified personnel, who must observe the safety instructions.

Malfunction	Cause	Remedy
Drainage valve is not working	Fault in the control system	Check the system configuration
	No compressed air Compressed air pressure too low	Check the compressed air supply Check air hoses for free passage and air tightness

Malfunction	Cause	Remedy
	Fault in the electrical system	Check the control / external regulator and the electrical power supply
	O-rings in the drive defective	Replace the O-rings
Drainage valve does not close	Dirt and foreign objects between the valve seat, valve plate, and the O-ring	Clean valve seat, valve plate and O-ring
Drainage valve closes too slowly	O-rings in drive (8) and valve housing (9) are dry (friction losses)	Grease O-rings
Leakage at the outlet	O-ring (10) on the valve seat is defective	Replace the O-ring (10) on the valve seat

## 11.4 Maintenance - drainage valve VTP

### Inspections

The drainage valves must be monitored for leakage and proper functioning between the maintenance intervals.

### Maintenance intervals

See chapter Section 10.3, Page 37

### Disassembly

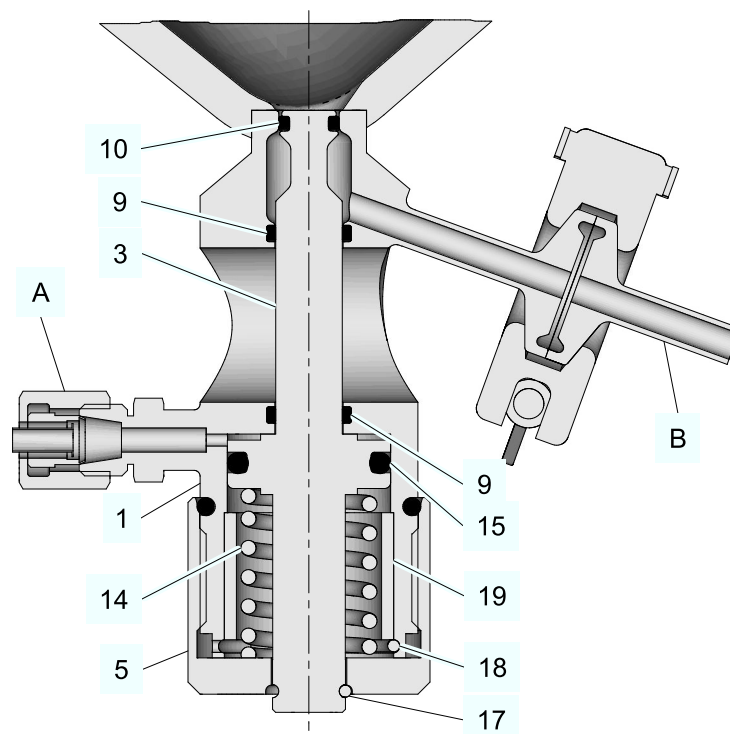


Fig.30

Carry out the following steps:

1. Open the valve pneumatically.
2. Remove the spring-lock washer (17).
3. Close the valve.
4. Disconnect the air hose from the pneumatic connector (A).

5. Disconnect the drainage hose - if present - to the drainage connection (B).



**Hint!**

**The pressure spring (14) is preloaded. It must be carefully relaxed when the drive cover is loosened.**

---

6. Unscrew drive cover (5) by hand in the counter-clockwise direction.
  7. Remove the pressure spring (14).
  8. Push the spring-lock washer (18) out of the housing through the borehole for disassembly.
  9. Pull the valve plate (3) together with the sleeve (19) out of the housing (1).
  10. Take off the O-rings (9, 10, 15).
- Drainage valve VTP is disassembled.

**Assembly**

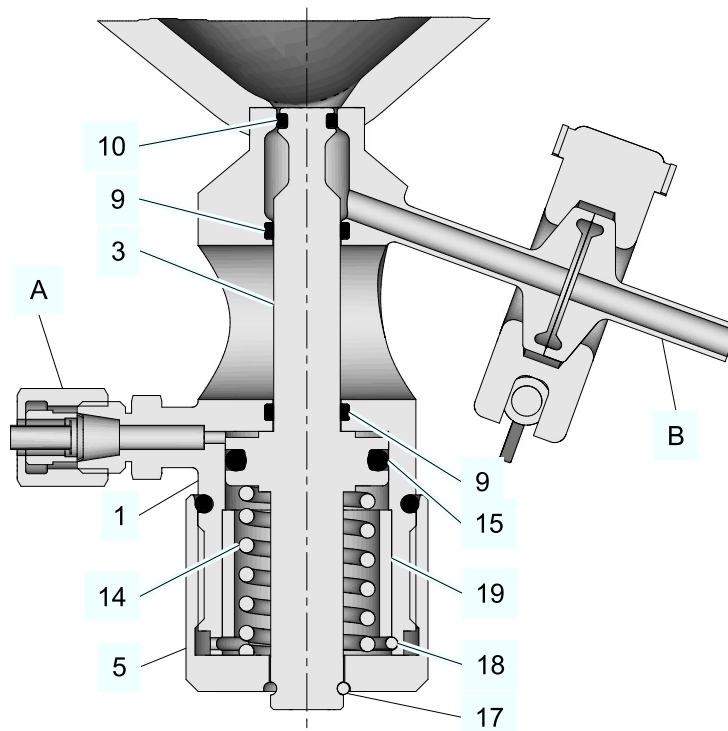


Fig.31: Drainage valve VTP



**Caution!**

Damage to valve parts in the precision component area

- The valve stem, valve plate (3) and valve seat are precision parts. They may not be damaged!
- 

Carry out the following steps:

1. Grease the parts.

GEA recommends Rivolta F.L.G. MD-2, PARALIQ GTE 703 and grease BARRIERTA L 55/3\*. These lubricants are approved for foodstuff and are resistant to beer froth. They have the NSF-H1 (USDA H1) registration. They do not affect the taste or the consistency of the products and are compatible with the seals in contact with product. PARALIQ GTE 703 can be ordered under the material no. 413-064, Rivolta F.L.G. MD-2 under the material no. 413-071 and grease BARRIERTA L 55/3\* under the material no. 413-137 from GEA.

2. Install the O-rings (9, 10, 15) in the valve plate (3).
  3. Carefully insert the valve plate (3) into the housing (1).
    - ! The valve stem, valve plate (3) and valve seat are precision parts. They may not be damaged!
  4. Install the sleeve (19).
  5. Insert the spring-lock washer (18) into the groove provided in the housing (1).
  6. Insert the spring (14) into the housing (1).
  7. Preload the pressure spring (14) together with the cover (5) until the thread engages. Screw on the cover as far as it will go.
    - ! Preload the pressure spring (14) slowly.
  8. Connect the air hose to pneumatic connector (A).
  9. Connect the drainage hose - if present - to the drainage connection (B).
  10. Open the valve pneumatically.
  11. Install the spring-lock washer (17).
  12. Close the valve.
- Drainage valve VTP is installed.

### 11.5 Technical data - drainage valve VTP

Refer to the following tables for the key technical data of the valve:

Technical data: Drainage valve VTP	
Designation	Description
Size	DN 10
Weight	0.3 kg (0.661 lb)
Material of product contact parts	Stainless steel 1.4404
Installation position	Headover to allow the valve to drain
Ambient temperature	0 to 60 °C (32 ... 140 °F), standard < 0 °C (32 °F): use control air with a low dew point. Protect valve stems against freezing.

Technical data: Drainage valve VTP	
Designation	Description
Product temperature and operating temperature	Depending on the sealing material
Draining (pressure free)	1.2 l/min (0.32 gpm)
Product pressure	Max. 16 bar (232 psi) during sealing Max. 6 bar (87 psi) during opening
Control air pressure	Min. 6 bar (87 psi) max. 8 bar (116 psi)
Control air	acc. to ISO 8573-1
- Solid particle content:	Quality class 6 Particle size max. 5 µm (1.969x10 <sup>-4</sup> inch) Particle density max. 5 mg/m <sup>3</sup> (1.8 x 10 <sup>-11</sup> lb/inch <sup>3</sup> )
- Water content:	Quality class 4 Max. dew point +3 °C (37.4 °F) If the unit is used at higher altitudes or at low ambient temperatures, the dew point must be adapted accordingly.
- Oil content:	Quality class 3, preferably oil free Max. 1 mg oil to 1 m <sup>3</sup> air
Air hose	
- Metric	Material PE-LD Outer Ø 6 mm (0.236 inch) Interior-Ø 4 mm (0.157 inch)
- Inch	Material PA Outer Ø 6.35 mm (0.25 inch) Interior-Ø 4.3 mm (0.169 inch)

**Tool list / lubricant**

Tools	
Designation	Material no.
Open-ended wrench size 14, 17	408-045

Lubricants, see chapter Section 5.4, Page 23

## 12 Alarms

### 12.1 Malfunctions and remedies

In the event of a malfunction, the pump must be switched off immediately and secured against being switched back on. Malfunctions may only be remedied by qualified personnel, who must observe the safety instructions.

Malfunction	Cause	Remedy
Motor does not start	No power supply to the motor	Switch off the pump, check the cable connections and the fuse
	Motor protection has tripped	Check the power consumption of the motor
	Motor protection or residual current circuit breaker has tripped or fuses are blown because cables, motors or control devices are damaged	Measure parts and repair or replace defective parts
	Contact of the switchgear are defective	Check the switchgear, remove, clean and replace any defective parts
Power consumption of the motor is too high	Viscosity of material being conveyed too high	Check pump system, throttle if necessary, unscrew impeller, change pump or motor
	Gap between the housing and the impeller not adjusted properly	Adjust the gap
	Resistance in the pressure line too low (delivery flow too high)	Check pump system, throttle if necessary, unscrew impeller, change pump or motor
	Impeller diameter too large	Install smaller impeller Unscrew the impeller
Noise emission too high (also cavitation)	Resistance in the suction line too high	Check suction line, shorten or enlarge
	Fluid level in the suction tank is too low	Fill the suction tank
	impeller is rubbing	Measure the axial gap and re-adjust according to chapter "Check axial gap"
	Bearing damage of the motor	Replace the bearings
	Mechanical seal has run dry	Switch off the pump immediately, check the mechanical seal and replace if necessary Check the cause of running dry and eliminate the fault
Discharge head or delivery flow too low	Wrong direction of rotation of the motor	Reverse the phases
	Motor speed too low (wrong voltage, frequency); number of poles wrong	Apply the correct voltage change the motor
	Impeller diameter too small	Install a larger impeller
	The impeller is worn out	Replace the Impeller
	Too much resistance in the suction and/or pressure line	Check the lines
	Viscosity of material being conveyed too high	Check the pump system, install the larger impeller
The pump leaks	Mechanical seal defective	Replace the mechanical seal
	O-ring defective	Replace the O-ring
The pump does not produce suction	No residual liquid in the pump	Fill the pump with a minimum amount of liquid
	Installation not implemented according to specifications	Install the system on the suction and pressure side according to specifications

## 13 Decommissioning

### 13.1 Safety instructions

For shutting down, the following principles apply:

- Switch off the pump with the main switch.
- Padlock the main switch (if fitted) in the off position to prevent it from being switched back on. The key to the padlock must be deposited with the person responsible until the machine is restarted.
- For long-term decommissioning, observe storage conditions, see storage Section 4.1, Page 18.

### 13.2 Disposal

#### 13.2.1 General notes

Dispose of the pump in an environmentally friendly manner at the end of its life cycle. Observe the statutory waste disposal regulations applicable at the place of installation.

The pump consists of the following materials:

- Metals
- Synthetic materials
- Electronic parts
- Lubricants containing oil and grease

The shaft seal each comprise ceramic (SiC), graphite (carbon) or stainless steel, depending on the version.

Separate the different materials and dispose of them correctly sorted. Also observe the instructions regarding disposal in the operating instructions for the individual components.

## 14 Reworking of EW - QU

### GEA Hilge TP / TPS centrifugal pump

Borehole for installation of the flushing unit for mechanical seal (single action, flushed)

Use existing grain size (K)

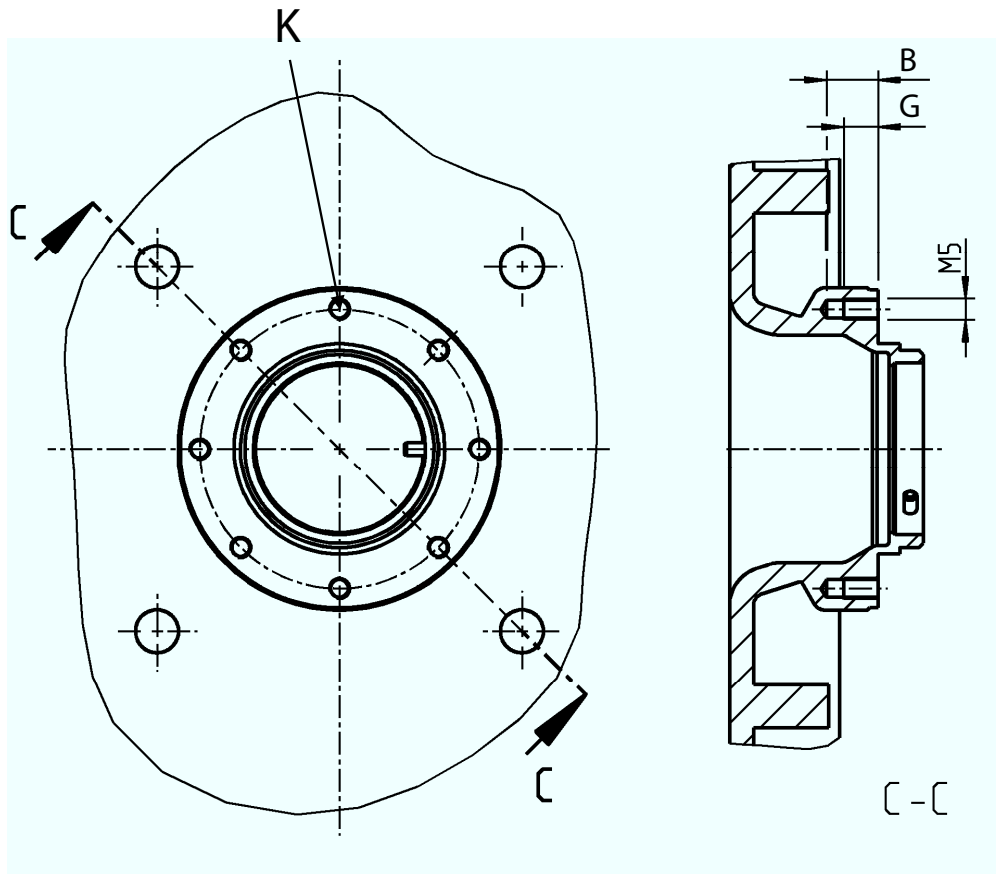


Fig.32: Sketch for setting threads to accommodate the flushing unit

Centrifugal pump TP			1020	2030	1540	2050	3050	5060	2575	7060	8050	8080	16040
Centrifugal pump TPS				2030			3050				8050	8080	
Drilling depth	B	[mm]	12	12	10.5	12	12	12	12	12	12	12	12
Usable thread depth	G	[mm]	8	8	8	8	8	8	8	8	8	8	8

## 15 Appendix

### 15.1 Lists

#### 15.1.1 Abbreviations and terms

Abbreviation	Explanation
rpm	Unit of measurement for the speed Revolutions per minute
bar	Unit of measurement for the pressure All pressure data [bar] are for overpressure [bar <sub>g</sub> ] unless this is specifically described otherwise.
C	Carbon
approx.	approximately
°C	Unit of measurement for the temperature Degree Celsius
dB(A)	Sound level DN DIN nominal width
DIN	German standard DIN German Institute for Standardization e.V.
DW	Double-acting mechanical seal DW EN European Standard
EPDM	Material specification Short description according to DIN/ISO 1629 EPDM rubber
EW	Single-acting mechanical seal
FKM	Material specification Short description according to DIN/ISO 1629 Fluorine rubber
h	Unit of measurement for time hour
HNBR	Material specification Short description according to DIN/ISO 1629 Hydrogenated Acrylonitrile Butadiene Rubber
IEC	International Electrotechnical Commission International Electrotechnical Commission (valid worldwide)
IP	Protection class
ISO	International standard of the International Organization for Standardization
kg	kilogram Unit of measurement for the weight
kN	Unit of measurement for the force kilonewton
l	Unit of measurement for the volume litre
max.	maximum
mm	Unit of measurement of length millimetre
µm	Unit of measurement of length micrometre
M <sub>min</sub> watt	Torque (Nm)
M <sub>max</sub>	Torque (Nm)
m <sup>3</sup> /h flow rate	1 m <sup>3</sup> /h = 4409 gpm

---

Abbreviation	Explanation
Nm	Unit of measurement for work Newton meter Torque specification 1 Nm = 0.737 lbft Pound-Force (lb) + Feet (ft)
NPSH	Holding pressure height (m) (Net Positive Suction Head)
QU	Single-acting flushed mechanical seal (quench)
SIC	Silicon carbide
SS	Molybdenum steel
AF	Indicates the size of spanners width across flats
s. Chapt.	see Chapter
s. Fig.	see Figure
V DC	Volt direct current
V AC	Volt alternating current
kW	Unit of measurement for performance
Inch OD	Tube measurement according to British Standard (BS), outside diameter
Inch IPS	American pipe measurement, iron pipe size



## We live our values.

Excellence · Passion · Integrity · Responsibility · GEA-versity

GEA Group is a global engineering company with multi-billion euro sales and operations in more than 50 countries. Founded in 1881, the company is one of the largest providers of innovative equipment and process technology. GEA Group is listed in the STOXX® Europe 600 Index.

### GEA Germany

GEA Tuchenhausen GmbH  
Am Industriepark 2-10  
21514 Büchen, Germany

Tel +49 (0)4155 49 0  
Fax +49 (0)4155 49 2035

info@gea.com  
gea.com