

ac Hygienic

An Ideal Tridon Group Brand



Hygienic Catalog

ac Hygienic.com





An Ideal Tridon Group Brand

800-367-3678

USAsales@advanced-couplings.com

aclhygienic.com

Our extensive range of clamps ensures reliable performance and industry compliance for all your food and beverage needs.

Innovative Portfolio

Stay ahead with our expanding portfolio, offering the latest solutions to meet evolving customer needs.

Quality and Cost-Effective Manufacturing

Expertly designed and manufactured in China, our products provide cost-effective solutions without compromising safety and quality.

North American Inventory

Our strategically stocked inventory in North America reduces lead times and freight costs.

Backed by Ideal Tridon Group

Benefit from unparalleled resources, expertise, and reliability, ensuring top customer satisfaction.

Expert Engineering

Our dedicated engineering resources offer expert guidance and customized solutions.

Certified Quality

Our products come with industry-leading certifications, ensuring compliance with safety and quality standards.



800-367-3678

sales@campbellfittings.com

campbellfittings.com

Introducing Campbell Fittings

Part of the Ideal Tridon Group, Campbell Fittings is renowned for engineering top-quality hose fittings, couplings, ferrules, and sleeves.

Industry Leadership

As a leader in hose system technology, Campbell introduced the Crimpnology™ System in the 1990s, guaranteeing unmatched hose system safety and performance.

Sanitary Fittings

Campbell's sanitary fitting line extends Crimpnology™ coverage to food, wine, beer, and other sanitary process hose assemblies, including 3-A certified options.

Contents

Hygienic/Food & Beverage Products

Campbell Fittings Tri-Clamp Hose Fittings 6

3A Tri-Clamp Crimp Hose Fittings 6

Campbell Fittings Tri-Clamp Adapter Fittings . . . 7

3A Long Shank Brewery Hose Adapter 7

3A Rubber Hose Adapter 7

Tri-Clamp x Male NPT 8

Tri-Clamp x Female NPT 8

3A Tri-Clamp x Weld Short 9

3A Tri-Clamp x Weld Long 9

Campbell Fittings Accessories 10

Tri-Clamp Bumper 10

Campbell Fittings Crimpnology™ Ferrules 11

3A Machined Crimpnology™ Ferrules 11

Crimpnology™ 304 Stainless Steel Ferrules 12

ACL Tri-Clamps 13

SL Clamp 304 - Wing Nut TC Clamp - 13MHM 13

SH Clamp 304 - Single Bolt, Double Hinge - 13MHM 14

SSH Clamp 304 - Brass Nuts - 13MHP 15

SSH Clamp 304 - Steel Nuts - 13 MHP 16

3 Segment Clamp 304 - 13 MHHS 17

3 Segment Safety Clamp 304 - Safety Gate,
Stepped Eye-bolt & Recessed Wing Nut - 13MHHS 18

ACL Tri-Clamp Ferrules 19

BS 4825 Part 3 Ferrules 19

BS Schedule 5 Ferrules 20

BS Schedule 10 Ferrules 21

BS Schedule 40 Ferrules 22

ASME BPE Ferrules - SF1 Short 23

DIN 32676 Table A Ferrules - Short 24

DIN 32676 Table A Ferrules - Long 25

DIN 32676 Table B Ferrules - Short 26

DIN 32676 Table B Ferrules - Long 27

DIN 32676 Table C Ferrules - Short 28

DIN 32676 Table C Ferrules - Long 29

ISO 1127 Ferrules - Standard 30

ISO 1127 Ferrules - Variations 31

Mini-series Ultra-bore Ferrules - Metric & Imperial 32

SMS 3008/3017 Ferrules 33

SWG Ferrules 34

MPW Tank Ferrules 35

ACL Gaskets 36

BS 4825 Gaskets 36

BS Schedule 5 Gaskets 37

BS Schedule 10 Gaskets 38

BS Schedule 40 Gaskets 39

DIN 32676 Gaskets 40

ISO 1127 Gaskets - Standard 41

ISO 1127 Gaskets - Variations 42

ISO 2037 Gaskets - Series 1 & 2 43

Mini Series Gaskets - Metric & Imperial 44

Metal Detectable Gaskets - EPDM Blue / EPDM Black 45

ACL Adaptors 46

BSP Male Adaptors - Imperial 46

BSP Male Adaptors - Metric 47

BSP Female Adaptors - Imperial 48

BSP Female Adaptors - Metric 49

NPT Male Adaptors - Imperial 50

NPT Male Adaptors - Metric 51

NPT Female Adaptors - Imperial 52

NPT Female Adaptors - Metric 53

ACL Hosetails 54

Hosetails - Imperial 54

Hosetails - Metric 55

ACL Reducers 56

Concentric Reducers - Ferrule-ended 56

BPE Eccentric Reducers - Ferrule-ended 57

Pipe To Tube Reducers - Schedules 10 and 40 58

Pipe Hanging Systems	59
Tube & Pipe Hangers New Zero Puddle Inserts	59
Weld Mount	60
Base Mount	61
Base Mount Thread Coupling Mount	62
Hang Mount	63
Base Mount Rod Mount	64
Rod Mount - 6" Rod to Weld Plate Mount	65
Process Hex Hangers	
Tube and Pipe Hangers	66
Process Hex Hanger Weld Mount	67
Process Hex Hanger Threaded Coupling	68
Process Hex Hanger Rod Mount	69

Bioprocessing Equipment Products (BPE)

ACL BPE Fittings	71
BPE 45° Elbow - DT-4.1.1-6	71
BPE 90° Elbow - SF1 & SF4 – DT-4.1.1-3	72
BPE Cross Piece - DT-4.1.2-4	73
BPE Reducing Tee - DT-4.1.2-8	74
BPE Equal Tee - DT-4.1.2-4	75

ACL DS Fittings	76
DS Male	76
DS Liner	77
DS Nut	78
DS Blank	79
DS Blind Nut - With Chain	80
DS Union Gasket - EPDM / Nitrile (NBR) / Viton (FKM)	81

ACL SMS Fittings	82
SMS Male - Long & Short	82
SMS Liner - Long & Short	83
SMS Nut	84
SMS Blank	85
SMS Blind Nut - With Chain	86
SMS Union Gasket - EPDM & Nitrile (NBR) Unlipped	87
SMS Union Gasket - Viton (FKM) & PTFE Unlipped	88

ACL DIN Fittings	89
DIN Male	89
DIN Liner	90
DIN Nut	91
DIN Blind Nut - With Chain	92
DIN Blank	93
DIN Union Gasket - EPDM	94
DIN Union Gasket - Nitrile (NBR)	95
DIN Union Gasket - Viton (FKM)	96

ACL RJT Fittings	97
RJT Male	97
RJT Liner	98
RJT Nut - Hex	99
RJT Nut - Round	100
RJT Union Gasket - EPDM Flat-faced / EPDM	101
RJT Union Gasket - NBR	102

ACL IDF Fittings	103
IDF Male	103
IDF Liner	104
IDF Nut - Round	105
IDF Union Gasket - EPDM L-shaped / T-shaped	106
IDF Union Gasket - NBR L-shaped / T-shaped	107

ACL Miscellaneous Fittings	108
ISO NRV Clamp	108
End Cap	109
Spanner	110

ACL Blanks	111
Blank	111

Certificates	112
---------------------------	-----

Hygienic/Food & Beverage Products

Campbell Fittings Tri-Clamp Hose Fittings

Campbell's line of Tri-Clamp hose fittings are engineered for superior performance in sanitary process applications.

Features & Benefits

- Campbell Crimpology offers hose assembly systems for food grade hose applications
- Specially designed shank and ferrule lengths are matched for hose tube and cover protection
- Dedicated silicone bumper seat area on fitting
- All products listed as 3A components are certified to meet 32 Ra minimum polish and all other 3A criteria under 3A RPSCQC.

Crimp Specifications

- Provided for all hoses for proven performance (3A crimp process exception)
- Carry industry leading safety factors, 4:1 in most applications
- Specifications to match machined ferrule or standard ferrule

3A Tri-Clamp Crimp Hose Fittings

Features & Benefits

- 3A RPSCQC for 62-02 sanitary assemblies
- 316 stainless steel
- 32 Ra polish on food contact surface
- For use with 3A 304 Stainless Steel Machined Crimpology Ferrules or Crimpology 304 Stainless Steel Ferrules
- For use with Sanitary Single Pin, Double Pin, Bolt, or Squeeze Tri-Clamps
- For use with Tri-Clamp gaskets

Part Number	TC Size	Hose Size
TC-4C A316	1"	1"
TC-6C A316	1-1/2"	1-1/2"
TC-8C A316	2"	2"
TC-10C A316	2-1/2"	2-1/2"
TC-12C A316	3"	3"
TC-16C A316	4"	4"
TCR-6X4C A316	1-1/2"	1"

Hose System Components			MAX. SYSTEM WORKING PRESSURE (PSI @ 70°F)					
			Hose Size					
Fitting/Coupling	Attachment	Hose Type	1	1-1/2	2	2-1/2	3	4
Tri-Clamp	Ferrule	Sanitary	500	450	350	325	300	TBD
Tri-Clamp	Mach. Ferrule	Sanitary	500	500	400	375	350	TBD



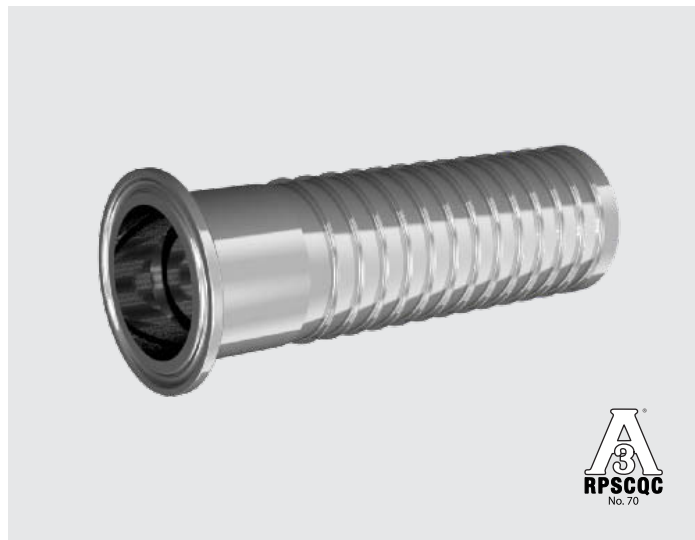
Campbell Fittings Tri-Clamp Adapter Fittings

3A Long Shank Brewery Hose Adapter

Features & Benefits

- 3A RPSCQC for 62-02 sanitary assemblies
- 304 stainless steel
- 32 Ra polish on food contact surface
- For use with Sanitary Single Pin, Double Pin, Bolt, or Squeeze Tri-Clamps
- For use with Tri-Clamp gaskets

Part Number	TC Size	Hose Size
BATC-4 304	1"	1"
BATC-6 304	1-1/2"	1-1/2"
BATC-8 304	2"	2"
BATC-12 304	3"	3"
BATC-16 304	4"	4"



3A Rubber Hose Adapter

Features & Benefits

- 3A RPSCQC for 62-02 sanitary assemblies
- 316 stainless steel
- 32 Ra polish on food contact surface
- For use with Sanitary Single Pin, Double Pin, Bolt, or Squeeze Tri-Clamps
- For use with Tri-Clamp gaskets

Part Number	TC Size	Hose Size
RATC-4 x 2 316	1"	1/2"
RATC-4 x 3 316	1"	3/4"
RATC-4 316	1"	1"
RATC-6 x 2 316	1-1/2"	1/2"
RATC-6 x 58 316	1-1/2"	5/8"
RATC-6 x 3 316	1-1/2"	3/4"
RATC-6 x 4 316	1-1/2"	1"
RATC-6 316	1-1/2"	1-1/2"
RATC-8 x 6 316	2"	1-1/2"
RATC-8 316	2"	2"
RATC-10 316	2-1/2"	2-1/2"
RATC-12 316	3"	3"
RATC-16 316	4"	4"



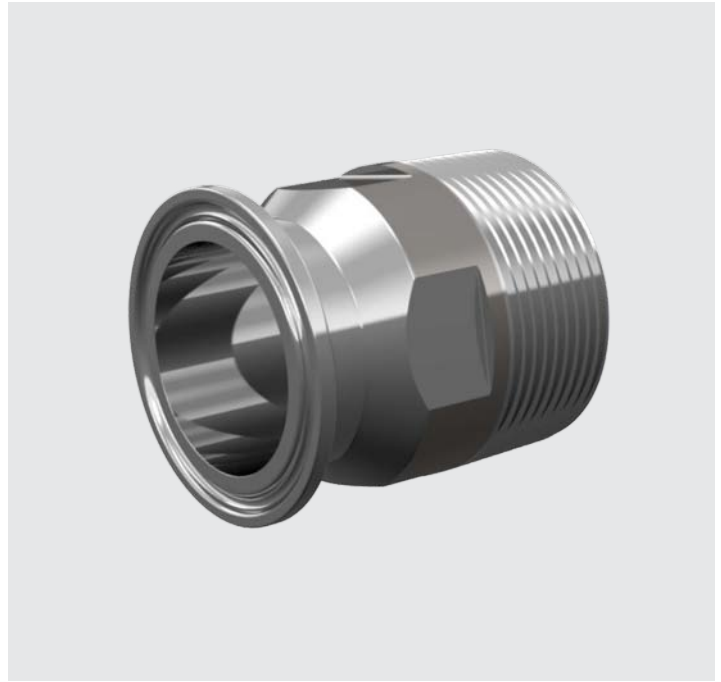
Campbell Fittings Tri-Clamp Adapter Fittings

Tri-Clamp x Male NPT

Features & Benefits

- 316 stainless steel
- 32 Ra polish on food contact surface
- For use with Sanitary Single Pin, Double Pin, Bolt, or Squeeze Tri-Clamps
- For use with Tri-Clamp gaskets

Part Number	TC Size	NPT Size
TCM-4 x 3 316	1"	3/4"
TCM-4 316	1"	1"
TCM-6 316	1-1/2"	1-1/2"
TCM-6 x 8 316	1-1/2"	2"
TCM-8 x 6 316	2"	1-1/2"
TCM-8 316	2"	2"
TCM-10 x 8 316	2-1/2"	2"
TCM-10 316	2-1/2"	2-1/2"
TCM-12 x 8 316	3"	2"
TCM-12 316	3"	3"
TCM-16 316	4"	4"



Tri-Clamp x Female NPT

Features & Benefits

- 316 stainless steel
- 32 Ra polish on food contact surface
- For use with Sanitary Single Pin, Double Pin, Bolt, or Squeeze Tri-Clamps
- For use with Tri-Clamp gaskets

Part Number	TC Size	NPT Size
TCF-4 x 3 316	1"	3/4"
TCF-4 316	1"	1"
TCF-6 316	1-1/2"	1-1/2"
TCF-6 x 8 316	1-1/2"	2"
TCF-8 x 6 316	2"	1-1/2"
TCF-8 316	2"	2"
TCF-10 x 8 316	2-1/2"	2"
TCF-10 316	2-1/2"	2-1/2"
TCF-12 x 8 316	3"	2"
TCF-12 316	3"	3"
TCF-16 316	4"	4"



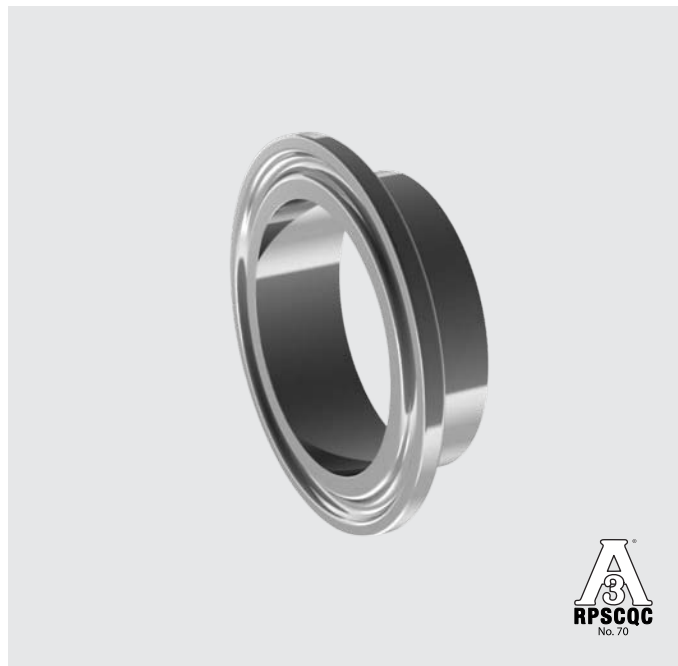
Campbell Fittings Tri-Clamp Adapter Fittings

3A Tri-Clamp x Weld Short

Features & Benefits

- 3A RPSCQC for 62-02 sanitary assemblies
- 316 stainless steel
- 32 Ra polish on food contact surface
- For use with Sanitary Single Pin, Double Pin, Bolt, or Squeeze Tri-Clamps
- For use with Tri-Clamp gaskets

Part Number	TC Size	Hose Size
TCSW-2 316	1/2"	1/2"
TCSW-3 316	3/4"	3/4"
TCSW-4 316	1"	1"
TCSW-6 316	1-1/2"	1-1/2"
TCSW-8 316	2"	2"
TCSW-10 316	2-1/2"	2-1/2"
TCSW-12 316	3"	3"
TCSW-16 316	4"	4"

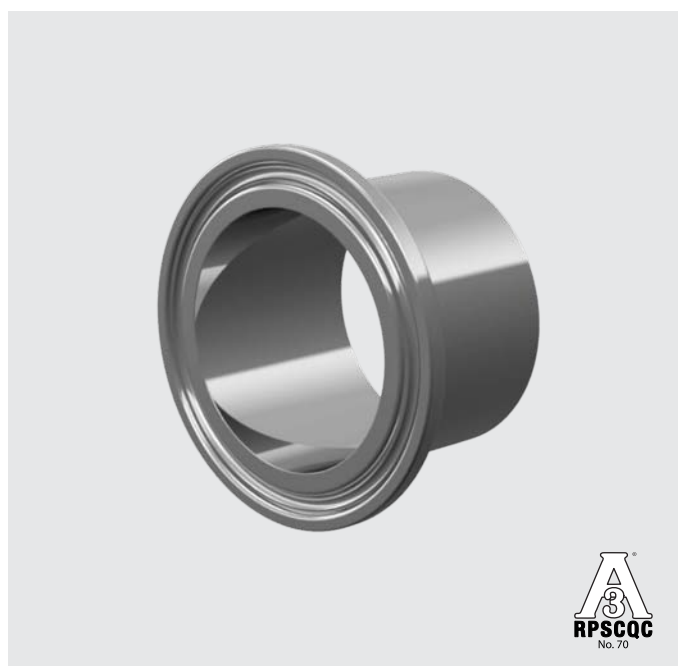


3A Tri-Clamp x Weld Long

Features & Benefits

- 3A RPSCQC for 62-02 sanitary assemblies
- 316 stainless steel
- 32 Ra polish on food contact surface
- For use with Sanitary Single Pin, Double Pin, Bolt, or Squeeze Tri-Clamps
- For use with Tri-Clamp gaskets

Part Number	TC Size	Hose Size
TCLW-2 316	1/2"	1/2"
TCLW-3 316	3/4"	3/4"
TCLW-4 316	1"	1"
TCLW-6 316	1-1/2"	1-1/2"
TCLW-8 316	2"	2"
TCLW-10 316	2-1/2"	2-1/2"
TCLW-12 316	3"	3"
TCLW-16 316	4"	4"



Campbell Fittings Accessories

Tri-Clamp Bumper

Features & Benefits

- Fits into machined recessed area on Tri-Clamp fittings
- 100% FDA silicone
- Stretches over installed fitting for easy on/off installation
- Easy replacement

Part Number	Size
TCB-4	1"
TCB-6	2"
TCB-8	2"
TCB-10	2-1/2"
TCB-12	3"
TCB-16	4"

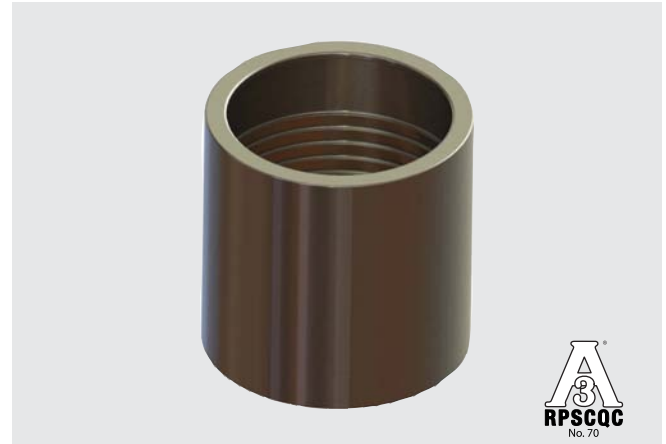


Campbell Fittings Crimpnology™ Ferrules

3A 304 Stainless Steel Machined Crimpnology Ferrules

Features & Benefits

- 3A RPSCQC for 62-02 sanitary assemblies
- 304 stainless steel
- 32 Ra polish
- Precision CNC machined to mate exclusively with Campbell's 3A Tri-Clamp Crimp Hose Fittings
- Meets Crimpnology specifications



Part Number	Hose Size	Ferrule I.D.
SAN100132	1	1-32/64
SAN100138	1	1-38/64
SAN100144	1	1-44/64
SAN100150	1	1-50/64
SAN150204	1-1/2	2-4/64
SAN150210	1-1/2	2-10/64
SAN150216	1-1/2	2-16/64
SAN150220	1-1/2	2-20/64
SAN200240	2	2-40/64
SAN200244	2	2-44/64
SAN200250	2	2-50/64
SAN200256	2	2-56/64
SAN250312	2-1/2	3-12/64
SAN250318	2-1/2	3-18/64
SAN250324	2-1/2	3-24/64
SAN300340	3	3-40/64
SAN300348	3	3-48/64
SAN300352	3	3-52/64
SAN300360	3	3-60/64
SAN300400	3	4
SAN400452	4	4-52/64
SAN400506	5	5-6/64
SAN400524	5	5-24/64

Campbell Fittings Crimpnology™ Ferrules

Crimpnology 304 Stainless Steel Ferrules

Features & Benefits

- 304 stainless steel
- Meets Crimpnology specifications
- For use with Tri-Clamp fittings



Part Number	Hose Size	Ferrule I.D.
FSS100132	1	1-32/64
FSS100136	1	1-36/64
FSS100140	1	1-40/64
FSS100144	1	1-44/64
FSS100148	1	1-48/64
FSS100152	1	1-52/64
FSS125152	1/4	1-52/64
FSS125156	1/4	1-56/64
FSS125160	1/4	1-60/64
FSS150160	1-1/2	1-60/64
FSS150200	1-1/2	2
FSS150204	1-1/2	2-4/64
FSS150208	1-1/2	2-8/64
FSS150212	1-1/2	2-12/64
FSS150216	1-1/2	2-16/64
FSS150220	1-1/2	2-20/64
FSS150224	1-1/2	2-24/64
FSS200232	2	2-32/64
FSS200236	2	2-36/64
FSS200240	2	2-40/64
FSS200244	2	2-44/64
FSS200248	2	2-48/64
FSS200252	2	2-52/64
FSS200256	2	2-56/64
FSS200260	2	2-60/64

Part Number	Hose Size	Ferrule I.D.
FSS250308	2-1/2	3-8/64
FSS250312	2-1/2	3-12/64
FSS250316	2-1/2	3-16/64
FSS250320	2-1/2	3-20/64
FSS250328	2-1/2	3-28/64
FSS300336	3	3-36/64
FSS300340	3	3-40/64
FSS300344	3	3-44/64
FSS300348	3	3-48/64
FSS300352	3	3-52/64
FSS300356	3	3-56/64
FSS300360	3	3-60/64
FSS300400	3	4
FSS400436	4	4-36/64
FSS400440	4	4-40/64
FSS400444	4	4-44/64
FSS400448	4	4-48/64
FSS400452	4	4-52/64
FSS400456	4	4-56/64
FSS400460	4	4-60/64
FSS400500	4	5
FSS400504	4	5-4/64



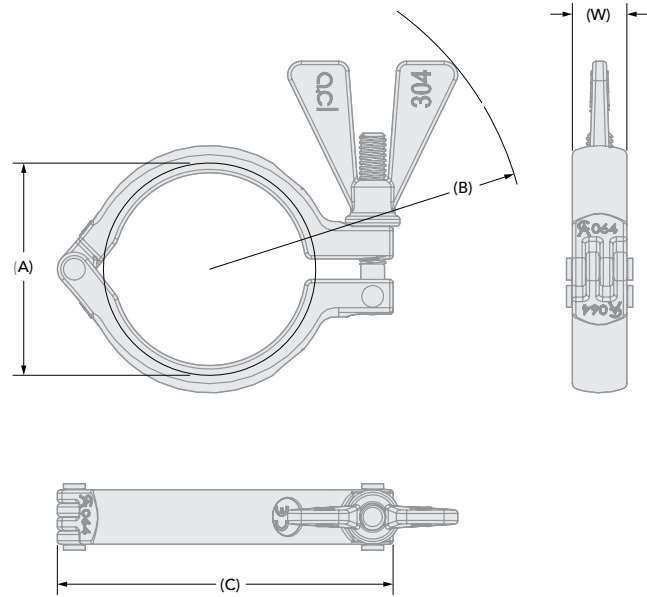
ACL Tri-Clamps

ACL® SL Clamp 304 Wing Nut TC Clamp - 13MMH

Material
304 / 1.4308

Application
Hygienic

Hinge Layout
Single Pin - Interlocking Hinge



SL Clamps - Wingnut

Part Number	Nominal Size			Dimension (Inches)				Weight (lbs)	MAWP Bar (oz)	Legacy Part Number
	Imperial	Metric	ISO	Flange (A)	Radius (B)	Length (C)	Width (W)			
SLWN0002504	1/2"	DN6-8	DN8-10	0.98	2.48	2.36	0.67	0.29	0.88	CL.S.0050
SLWN0003404	DN10	DN10-20	—	1.34	2.87	2.72	0.67	0.37	0.88	CL.S.D010
SLWN0005004	1-1/2"	DN25-40	DN15-25	1.99	3.07	3.35	0.67	0.46	0.88	CL.S.0100
SLWN0006404	2"	DN50	DN32-40	2.52	3.23	3.90	0.67	0.55	0.88	CL.S.0200
SLWN0007704	2-1/2"	—	DN50	3.05	3.50	4.41	0.67	0.77	0.88	CL.S.0250
SLWN0009104	3"	DN65	DN65	3.58	3.78	4.96	0.67	0.93	0.70	CL.S.0300
SLWN0010604	3-1/2"	DN80	DN80	4.17	4.06	5.51	0.67	0.97	0.70	CL.S.0350
SLWN0011904	4"	DN100	—	4.69	4.33	6.06	0.67	1.12	0.59	CL.S.0400

ACL Tri-Clamps

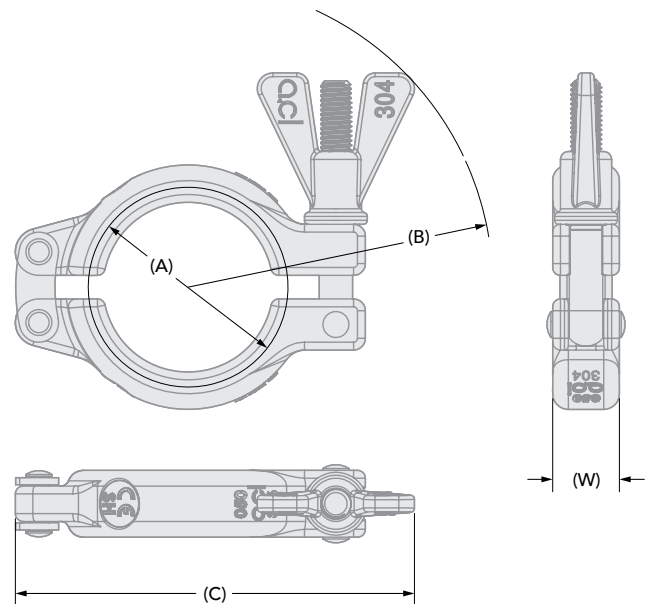
ACL® SH Clamp 304

Single Bolt, Double Hinge - 13MHHM

Material
304 / 1.4308

Application
Hygienic

Hinge Layout
Double Rivet Hinge Plate



SH Clamps – Single Bolt

Part Number	Nominal Size			Dimension (Inches)				Weight (lbs)	MAWP Bar (oz)
	Imperial	Metric	ISO	Flange (A)	Radius (B)	Length (C)	Width (W)		
SHWN0002504	1/2"	DN6-8	DN8-10	0.98	2.56	2.95	0.67	0.37	1.76
SHWN0005004	1-1/2"	DN25-40	DN15-25	1.99	3.03	4.02	0.67	0.60	1.76
SHWN0006404	2"	DN50	DN32-40	2.52	3.66	4.84	0.67	0.75	1.76
SHWN0007704	2-1/2"	—	DN50	3.05	3.94	5.51	0.67	0.84	1.76
SHWN0009104	3"	DN65	DN65	3.58	4.13	5.91	0.67	0.97	1.41
SHWN0010604	3-1/2"	DN80	DN80	4.17	4.33	6.50	0.67	1.08	1.41
SHWN0011904	4"	DN100	—	4.69	4.69	7.28	0.67	1.17	1.23

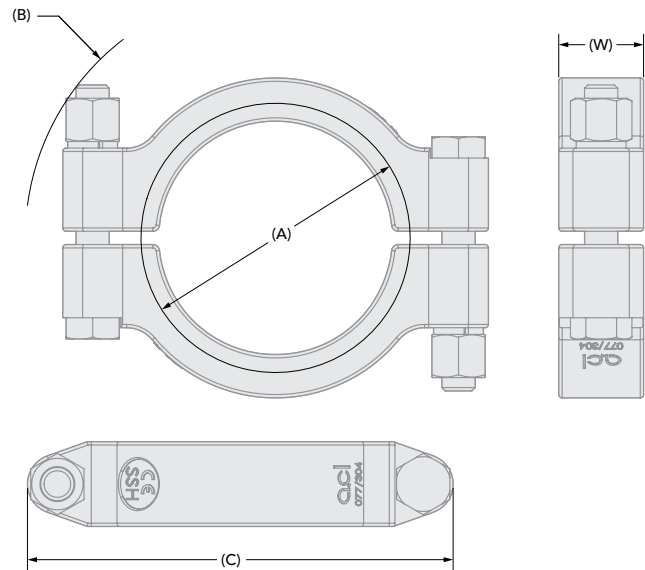
ACL Tri-Clamps

ACL® SSH Clamp 304 Brass Nuts - 13MHP

Material
304 / 1.4308

Application
Hygienic

Hinge Layout
Separate Segments



SSH Clamps 304 – Brass

Part Number	Nominal Size			Dimension (Inches)				Weight (lbs)	MAWP Bar (oz)	Legacy Part Number
	Imperial	Metric	ISO	Flange (A)	Radius (B)	Length (C)	Width (W)			
SSBX0002504	1/2"	DN6-8	DN8-10	0.98	1.46	2.56	0.63	0.35	2.65	CL.SSH.0050.6
SSBX0003404	DN10	DN10-20	—	1.34	1.65	2.91	0.71	0.49	2.65	CL.SSH.D010.6
SSBX0005004	1-1/2"	DN25-40	DN15-25	1.99	2.52	4.06	1.02	1.46	2.65	CL.SSH.0100.4
SSBX0006404	2"	DN50	DN32-40	2.52	2.87	4.45	1.02	1.81	2.65	CL.SSH.0200.4
SSBX0007704	2-1/2"	—	DN50	3.05	3.15	5.04	1.02	2.07	2.65	CL.SSH.0250.4
SSBX0009104	3"	DN65	DN65	3.58	3.39	5.39	1.02	2.25	2.12	CL.SSH.0300.4
SSBX0010604	3-1/2"	DN80	DN80	4.17	3.70	5.91	1.02	2.36	2.12	CL.SSH.0350.4
SSBX0011904	4"	DN100	—	4.69	4.02	6.50	1.02	2.80	1.87	CL.SSH.0400.4
SSBX0013004	4-1/2"	—	DN100	5.12	4.13	6.85	1.02	2.93	1.59	CL.SSH.0450.B
SSBX0014404	5"	—	—	5.67	4.61	8.19	0.71	3.97	1.59	CL.SSH.0500.B
SSBX0015504	5-1/2"	DN125	DN125	6.10	4.92	8.90	1.02	4.19	1.59	CL.SSH.0550.B
SSBX0016704	6"	—	—	6.57	5.20	9.45	1.02	4.25	1.59	CL.SSH.0600.B
SSBX0018304	6-5/8"	DN150	DN150	7.20	5.59	10.24	1.02	4.65	1.34	CL.SSH.0658.B
SSBX0021704	8"	—	—	8.54	5.91	11.26	1.02	5.42	1.06	CL.SSH.0800.B
SSBX0023304	8-5/8"	DN200	DN200	9.17	6.61	12.52	1.02	5.56	1.06	CL.SSH.0858.B
SSBX0026804	10"	DN250	—	10.51	10.55	7.30	1.18	9.90	1.06	CL.SSH.1000.B
SSBX0028604	10-5/8"	—	DN250	11.26	11.26	7.72	1.18	10.32	0.71	CL.SSH.1058.B
SSBX0031904	12"	DN300	—	12.56	12.56	8.90	1.18	11.90	0.71	CL.SSH.1200.B
SSBX0033804	12-5/8"	—	DN300	13.31	13.31	8.76	1.18	12.99	0.71	CL.SSH.1258.B

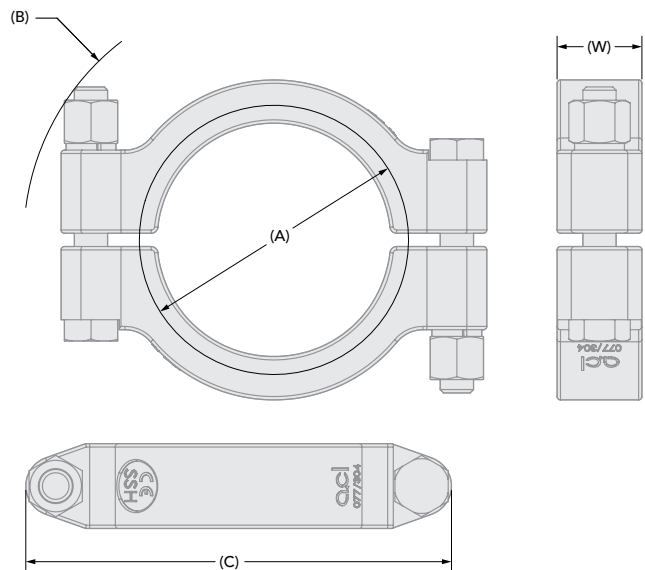
ACL Tri-Clamps

ACL® SSH Clamp 304 Steel Nuts - 13MHP

Material
304 / 1.4308

Application
Hygienic

Hinge Layout
Separate Segments



SSH Clamps 304 – Steel

Part Number	Nominal Size			Dimension (Inches)				Weight (lbs)	MAWP Bar (oz)	Legacy Part Number
	Imperial	Metric	ISO	Flange (A)	Radius (B)	Length (C)	Width (W)			
SSHX0002504	1/2"	DN6-8	DN8-10	0.98	1.46	2.56	0.63	0.35	2.65	CL.SSH.0050.6
SSHX0003404	DN10	DN10-20	—	1.34	1.65	2.91	0.71	0.49	2.65	CL.SSH.D010.6
SSHX0005004	1-1/2"	DN25-40	DN15-25	1.99	2.52	4.06	1.02	1.46	2.65	CL.SSH.0100.4
SSHX0006404	2"	DN50	DN32-40	2.52	2.87	4.45	1.02	1.81	2.65	CL.SSH.0200.4
SSHX0007704	2-1/2"	—	DN50	3.05	3.15	5.04	1.02	2.07	2.65	CL.SSH.0250.4
SSHX0009104	3"	DN65	DN65	3.58	3.39	5.39	1.02	2.25	2.12	CL.SSH.0300.4
SSHX0010604	3-1/2"	DN80	DN80	4.17	3.70	5.91	1.02	2.36	2.12	CL.SSH.0350.4
SSHX0011904	4"	DN100	—	4.69	4.02	6.50	1.02	2.80	1.87	CL.SSH.0400.4
SSHX0013004	4-1/2"	—	DN100	5.12	4.13	6.85	1.02	2.93	1.59	CL.SSH.0450.B
SSHX0014404	5"	—	—	5.67	4.61	8.19	0.71	3.97	1.59	CL.SSH.0500.B
SSHX0015504	5-1/2"	DN125	DN125	6.10	4.92	8.90	1.02	4.19	1.59	CL.SSH.0550.B
SSHX0016704	6"	—	—	6.57	5.20	9.45	1.02	4.25	1.59	CL.SSH.0600.B
SSHX0018304	6-5/8"	DN150	DN150	7.20	5.59	10.24	1.02	4.65	1.34	CL.SSH.0658.B
SSHX0021704	8"	—	—	8.54	5.91	11.26	1.02	5.42	1.06	CL.SSH.0800.B
SSHX0023304	8-5/8"	DN200	DN200	9.17	6.61	12.52	1.02	5.56	1.06	CL.SSH.0858.B
SSHX0026804	10"	DN250	—	10.51	10.55	7.30	1.18	9.90	1.06	CL.SSH.1000.B
SSHX0028604	10-5/8"	—	DN250	11.26	11.26	7.72	1.18	10.32	0.71	CL.SSH.1058.B
SSHX0031904	12"	DN300	—	12.56	12.56	8.90	1.18	11.90	0.71	CL.SSH.1200.B
SSHX0033804	12-5/8"	—	DN300	13.31	13.31	8.76	1.18	12.99	0.71	CL.SSH.1258.B

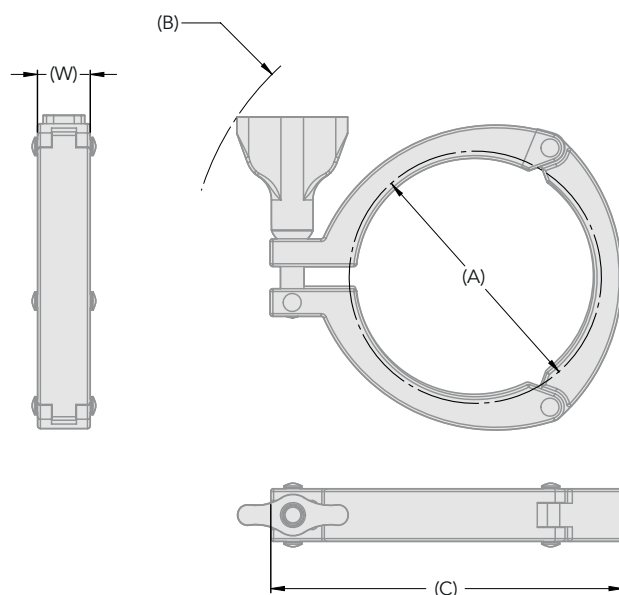
ACL Tri-Clamps

ACL® 3 Segment Clamp 304 13MHHS

Material
304 / 1.4308

Application
Hygienic

Hinge Layout
Interlocking Rivets



3 Segment Clamps

Part Number	Nominal Size			Dimension (Inches)				Weight (lbs)	MAWP Bar (oz)	Legacy Part Number
	Imperial	Metric	ISO	Flange (A)	Radius (B)	Length (C)	Width (W)			
S3WN0005004	1-1/2"	DN25-40	DN15-25	1.99	3.00	3.22	0.75	0.82	0.74	CL.3S.0100
S3WN0006404	2"	DN50	DN32-40	2.52	3.23	3.68	0.75	0.93	0.67	CL.3S.0200
S3WN0007704	2-1/2"	—	DN50	3.05	3.43	4.29	0.77	1.08	0.56	CL.3S.0250
S3WN0009104	3"	DN65	DN65	3.58	3.78	4.98	0.77	1.39	0.42	CL.3S.0300
S3WN0011904	4"	DN100	—	4.69	4.88	5.91	0.77	1.76	0.35	CL.3S.0400

ACL Tri-Clamps

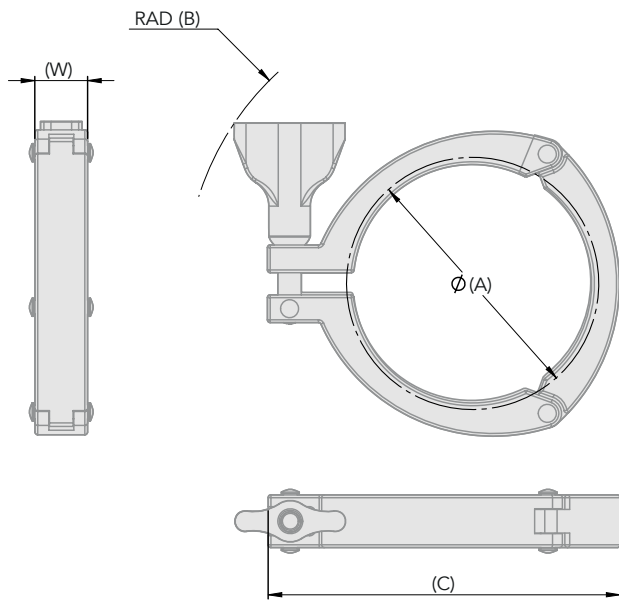
ACL® 3 Segment Safety Clamp 304

Safety Gate, Stepped Eye-bolt & Recessed Wing Nut - 13MHHS

Material
304 / 1.4308

Application
Hygienic

Hinge Layout
Interlocking Rivets



3 Segment Safety Clamps

Part Number	Nominal Size			Dimension (Inches)				Weight (lbs)	MAWP Bar (oz)	Legacy Part Number
	Imperial	Metric	ISO	Flange (A)	Radius (B)	Length (C)	Width (W)			
S3SF0005004	1-1/2"	DN25-40	DN15-25	1.99	3.00	3.22	0.75	0.82	0.74	CL.SAF3.0100
S3SF0006404	2"	DN50	DN32-40	2.52	3.23	3.68	0.75	0.93	0.67	CL.SAF3.0200
S3SF0007704	2-1/2"	—	DN50	3.05	3.43	4.29	0.77	1.08	0.56	CL.SAF3.0250
S3SF0009104	3"	DN65	DN65	3.58	3.78	4.98	0.77	1.39	0.42	CL.SAF3.0300
S3SF0011904	4"	DN100	—	4.69	4.88	5.91	0.77	1.76	0.35	CL.SAF3.0400

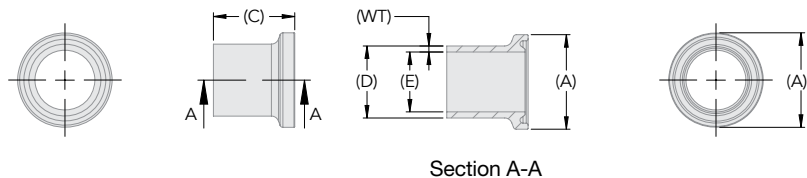
ACL Tri-Clamp Ferrules

ACL® BS 4825 Part 3 Ferrules

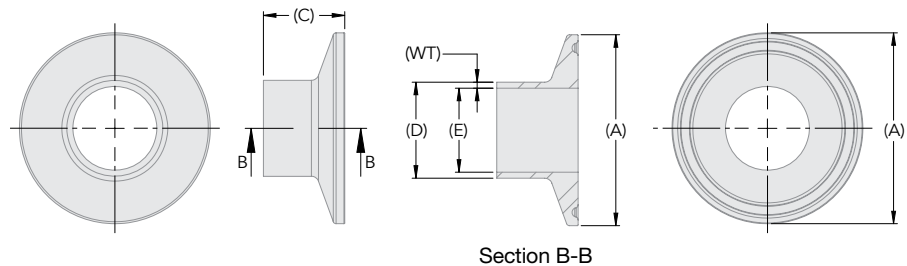
Material
316L / 1.4404



Type A – 0.98” Flange



Type B – 1.33”mm to 13.30”mm Flange



BS 4825 Part 3 Ferrules

Part Number	Nominal Size	Dimension (Inches)					Weight (lbs)	Legacy Part Number
	Imperial	OD (D)	ID (E)	Flange (A)	Wall (WT)	Length (C)		
FDB4025127021SD6L	1/2"	0.50	0.37	0.98	0.06	0.85	0.04	FRD.BS.0050
FDB4025195021SD6L	3/4"	0.75	0.62	0.98	0.06	0.85	0.04	FRD.BS.0075
FDB4050025021SD6L	1"	1.01	0.87	1.99	0.07	0.85	0.18	FRD.BS.0100
FDB4050038021SD6L	1-1/2"	1.51	1.37	1.99	0.07	0.85	0.13	FRD.BS.0150
FDB4064051021SD6L	2"	2.01	1.87	2.52	0.07	0.85	0.18	FRD.BS.0200
FDB4077063021SD6L	2-1/2"	2.51	2.37	3.05	0.07	0.85	0.22	FRD.BS.0250
FDB4091076021SD6L	3"	3.01	2.87	3.58	0.07	0.85	0.29	FRD.BS.0300
FDB4106088021SD6L	3-1/2"	3.50	3.33	4.17	0.08	0.85	0.46	FRD.BS.0350
FDB4114101021SD6L	4"	4.01	3.84	4.69	0.08	0.85	0.46	FRD.BS.0400
FDB4130114028SD6L	4-1/2"	4.53	4.34	5.12	0.09	1.10	0.46	FRD.BS.0450
FDB4144128028SD6L	5"	5.00	4.84	5.69	0.08	1.10	0.90	FRD.BS.0500
FDB4155140028SD6L	5-1/2"	5.53	5.34	6.10	0.10	1.10	0.95	FRD.BS.0550
FDB4167154028SD6L	6"	6.06	5.91	6.57	0.08	1.10	0.84	FRD.BS.0600
FDB4183169028SD6L	6-5/8"	6.67	6.42	7.20	0.12	1.10	1.23	FRD.BS.0658
FDB4217204028SD6L	8"	8.03	7.87	8.56	0.08	1.10	1.15	FRD.BS.0800
FDB4233220028SD6L	8-5/8"	8.68	8.42	9.19	0.13	1.10	1.61	FRD.BS.0858
FDB4268254028SD6L	10"	10.00	9.84	10.55	0.08	1.10	1.43	FRD.BS.1000
FDB4286273028SD6L	10-5/8"	10.75	10.48	11.26	0.13	1.10	2.05	FRD.BS.1058.
FDB4319304028SD6L	12"	12.00	11.84	12.56	0.08	1.10	1.79	FRD.BS.1200
FDB4338324028SD6L	12-5/8"	12.75	12.44	13.31	0.16	1.10	2.82	FRD.BS.1258

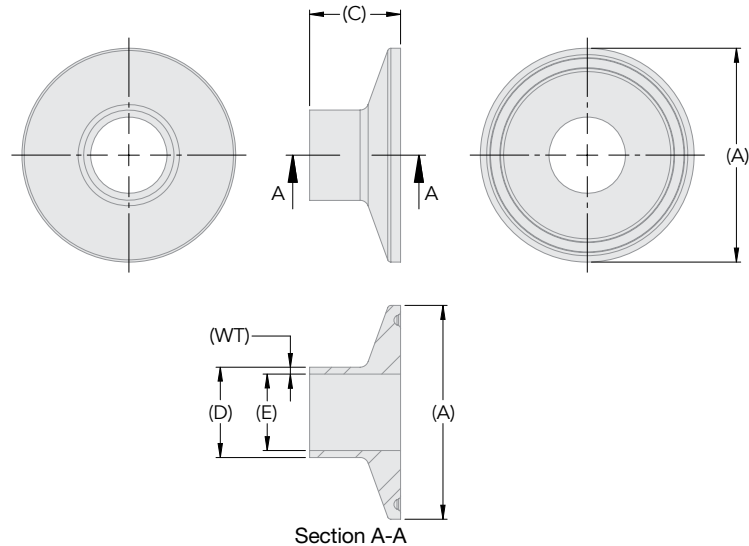
ACL Tri-Clamp Ferrules

ACL® BS Schedule 5 Ferrules

Material
316L / 1.4404



Type B – 1.98" to 13.30" Flange



BS Schedule 5 Ferrules

Part Number	Nominal Size	Dimension (Inches)					Weight (lbs)	Legacy Part Number
	Imperial	OD (D)	ID (E)	Flange (A)	Wall (WT)	Length (C)		
FDB1050021021SD6L	1/2"	0.84	0.71	1.99	0.06	0.85	0.13	FRD.BS05.0050
FDB1050026021SD6L	3/4"	1.05	0.92	1.99	0.06	0.85	0.15	FRD.BS05.0075
FDB1050033021SD6L	1"	1.31	1.19	1.99	0.06	0.85	0.18	FRD.BS05.0100
FDB1064042021SD6L	1-1/4"	1.66	1.53	2.52	0.06	0.85	0.18	FRD.BS05.0125
FDB1064048021SD6L	1-1/2"	1.90	1.77	2.52	0.06	0.85	0.20	FRD.BS05.0150
FDB1077060021SD6L	2"	2.37	2.24	3.05	0.06	0.85	0.22	FRD.BS05.0200
FDB1091073021SD6L	2-1/2"	2.88	2.71	3.58	0.08	0.85	0.35	FRD.BS05.0250
FDB1106089021SD6L	3"	3.50	3.33	4.17	0.08	0.85	0.46	FRD.BS05.0300
FDB1119101021SD6L	3-1/2"	4.00	3.83	4.69	0.08	0.85	0.46	FRD.BS05.0350
FDB1130114028SD6L	4"	4.50	4.33	5.12	0.08	1.10	0.55	FRD.BS05.0400
FDB1155141028SD6L	5"	5.56	5.34	6.10	0.11	1.10	0.95	FRD.BS05.0500
FDB1183168028SD6L	6"	6.63	6.41	7.20	0.11	1.10	1.23	FRD.BS05.0600
FDB1233219028SD6L	8"	8.63	8.41	9.19	0.11	1.10	1.61	FRD.BS05.0800
FDB1286273028SD6L	10"	10.75	10.48	11.26	0.13	1.10	2.05	FRD.BS05.1000
FDB1338324028SD6L	12"	12.75	12.44	13.31	0.16	1.10	2.82	FRD.BS05.1200

The table above shows the full range of BS Schedule 5 ferrules as given in the exacting standard. Advanced Couplings can offer non-standard BS Schedule 5 ferrule adaptations in varying lengths and internal surface finishes to suit individual customer requirements. Please contact our sales department if the ferrule you require cannot be found in our manual.

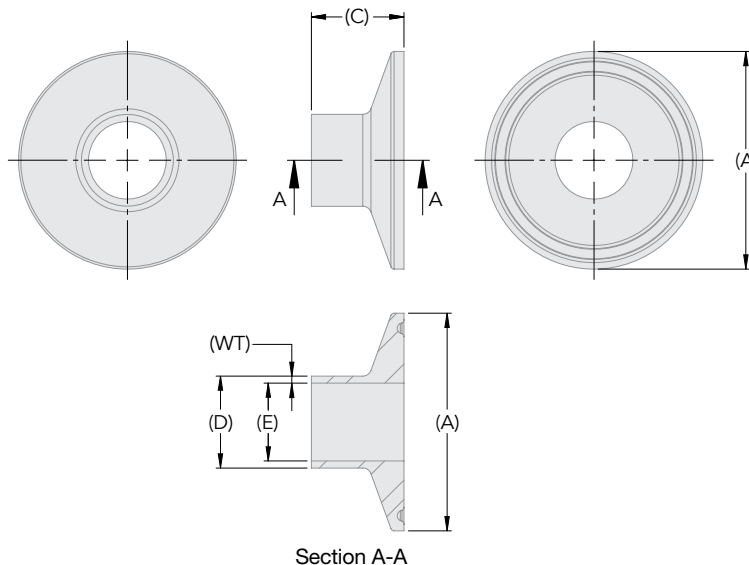
ACL Tri-Clamp Ferrules

ACL® BS Schedule 10 Ferrules

Material
316L / 1.4404



Type B – 1.98”mm to 13.30”mm Flange



BS Schedule 10 Ferrules

Part Number	Nominal Size	Dimension (Inches)					Weight (lbs)	Legacy Part Number
	Imperial	OD (D)	ID (E)	Flange (A)	Wall (WT)	Length (C)		
FDB2050021021SD6L	1/2"	0.84	0.67	1.99	0.08	0.85	0.18	FRD.BS10.0050
FDB2050026021SD6L	3/4"	1.05	0.88	1.99	0.08	0.85	0.18	FRD.BS10.0075
FDB2050033021SD6L	1"	1.31	1.10	1.99	0.11	0.85	0.18	FRD.BS10.0100
FDB2064042021SD6L	1-1/4"	1.66	1.44	2.52	0.11	0.85	0.20	FRD.BS10.0125
FDB2064048021SD6L	1-1/2"	1.90	1.68	2.52	0.11	0.85	0.24	FRD.BS10.0150
FDB2077060021SD6L	2"	2.37	2.16	3.05	0.11	0.85	0.33	FRD.BS10.0200
FDB2091073021SD6L	2-1/2"	2.88	2.64	3.58	0.12	0.85	0.40	FRD.BS10.0250
FDB2106089021SD6L	3"	3.50	3.26	4.17	0.12	0.85	0.49	FRD.BS10.0300
FDB2119101021SD6L	3-1/2"	4.00	3.76	4.69	0.12	0.85	0.62	FRD.BS10.0350
FDB2130114028SD6L	4"	4.50	4.26	5.12	0.12	1.10	0.75	FRD.BS10.0400
FDB2155141028SD6L	5"	5.56	5.30	6.10	0.13	1.10	0.95	FRD.BS10.0500
FDB2183168028SD6L	6"	6.63	6.36	7.20	0.13	1.10	1.34	FRD.BS10.0600
FDB2233219028SD6L	8"	8.63	8.33	9.19	0.15	1.10	1.61	FRD.BS10.0800
FDB2286273028SD6L	10"	10.75	10.42	11.26	0.16	1.10	2.05	FRD.BS10.1000
FDB2338324028SD6L	12"	12.75	12.39	13.31	0.18	1.10	2.82	FRD.BS10.1200

The table above shows the full range of BS Schedule 10 ferrules as given in the exacting standard. Advanced Couplings can offer non-standard BS Schedule 10 ferrule adaptations in varying lengths and internal surface finishes to suit individual customer requirements. Please contact our sales department if the ferrule you require cannot be found in our manual.

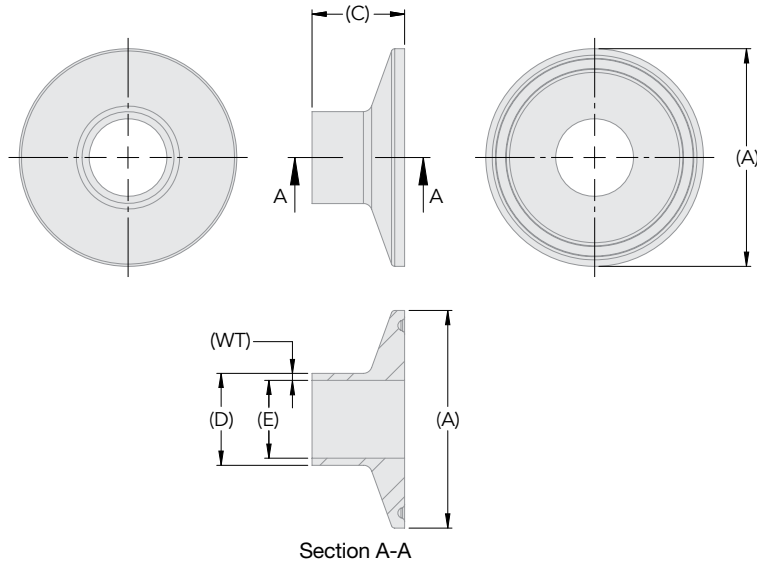
ACL Tri-Clamp Ferrules

ACL® BS Schedule 40 Ferrules

Material
316L / 1.4404



Type B – 1.98" to 13.30" Flange



BS Schedule 40 Ferrules

Part Number	Nominal Size	Dimension (Inches)					Weight (lbs)	Legacy Part Number
	Imperial	OD (D)	ID (E)	Flange (A)	Wall (WT)	Length (C)		
FDB3050021021SD6L	1/2"	0.84	0.62	1.99	0.11	0.85	0.20	FRD.BS40.0050
FDB3050026021SD6L	3/4"	1.05	0.82	1.99	0.11	0.85	0.20	FRD.BS40.0075
FDB3050033021SD6L	1"	1.31	1.05	1.99	0.13	0.85	0.20	FRD.BS40.0100
FDB3064042021SD6L	1-1/4"	1.66	1.38	2.52	0.14	0.85	0.29	FRD.BS40.0125
FDB3064048021SD6L	1-1/2"	1.90	1.61	2.52	0.15	0.85	0.29	FRD.BS40.0150
FDB3077060021SD6L	2"	2.37	2.07	3.05	0.15	0.85	0.40	FRD.BS40.0200
FDB3091073021SD6L	2-1/2"	2.88	2.47	3.58	0.20	0.85	0.49	FRD.BS40.0250
FDB3106089021SD6L	3"	3.50	3.07	4.17	0.22	0.85	0.57	FRD.BS40.0300
FDB3119101021SD6L	3-1/2"	4.00	3.55	4.69	0.23	0.85	0.75	FRD.BS40.0350
FDB3130114028SD6L	4"	4.50	4.03	5.12	0.24	1.10	0.97	FRD.BS40.0400
FDB3155141028SD6L	5"	5.56	5.05	6.10	0.26	1.10	1.15	FRD.BS40.0500
FDB3183168028SD6L	6"	6.63	6.07	7.20	0.28	1.10	1.39	FRD.BS40.0600
FDB3233219028SD6L	8"	8.63	7.98	9.19	0.32	1.10	1.76	FRD.BS40.0800
FDB3286273028SD6L	10"	10.75	10.02	11.26	0.36	1.10	2.20	FRD.BS40.1000
FDB5338324028SD6L	12"	12.75	12.00	13.31	0.38	1.10	2.98	FRD.BS40.1200

The table above shows the full range of BS Schedule 40 ferrules as given in the exacting standard. Advanced Couplings can offer non-standard BS Schedule 40 ferrule adaptations in varying lengths and internal surface finishes to suit individual customer requirements. Please contact our sales department if the ferrule you require cannot be found in our manual.

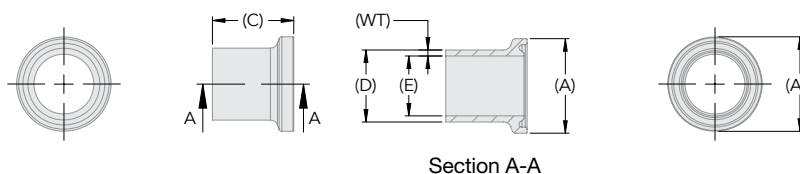
ACL Tri-Clamp Ferrules

ACL® ASME BPE Ferrules

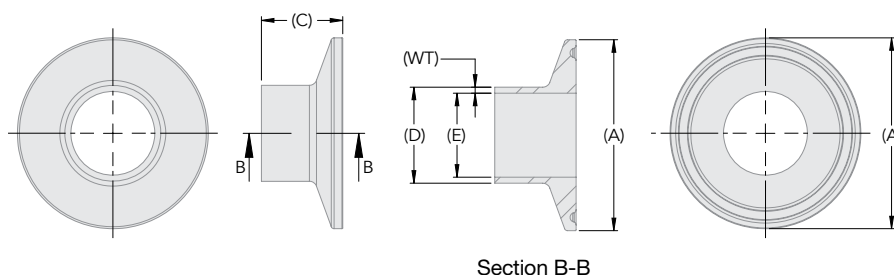
Material
316L / 1.4404
Low sulphur



Type A – 0.98” Flange



Type B – 1.98” to 13.30” Flange



ASME BPE Ferrules

Part Number	Nominal Size Imperial	Dimension (Inches)						Weight (lbs)	Legacy Part Number
		OD (D)	ID (E)	Flange (A)	Wall (WT)	Length (C)	Length (C)		
FPA1025635	1/4"	0.25	0.18	1.00	0.04	1.12	1.75	0.04	FR.BPES.0025
FPA1025952	3/8"	0.37	0.30	1.00	0.04	1.12	1.75	0.04	FR.BPES.0038
FPA1025127	1/2"	0.42	0.37	1.00	0.06	1.12	1.75	0.04	FR.BPES.0050
FPA1025195	3/4"	0.75	0.62	1.00	0.06	1.12	1.75	0.04	FR.BPES.0075
FPA1050025	1"	1.00	0.87	1.99	0.06	1.12	1.75	0.18	FR.BPES.0100
FPA1050038	1-1/2"	1.50	1.37	1.99	0.06	1.12	1.75	0.18	FR.BPES.0150
FPA1064051	2"	2.00	1.87	2.52	0.06	1.12	2.25	0.31	FR.BPES.0200
FPA1077063	2-1/2"	2.50	2.37	3.05	0.06	1.12	2.25	0.46	FR.BPES.0250
FPA1091076	3"	3.00	2.87	3.58	0.06	1.12	2.25	0.62	FR.BPES.0300
FPA1119101	4"	4.00	3.83	4.69	0.08	1.12	2.25	0.93	FR.BPES.0400
FPA1167154	6"	6.00	5.78	6.57	0.11	1.12	3.00	1.94	FR.BPES.0600

Ferrule Length Codes

Length	Code
28.5mm - All sizes	285
44.5mm - 1/4" to 1-1/2"	445
57.2mm - 2" to 4"	572
76.1mm - 6" only	761

Surface Finish / Material Codes

Finish	Code
SF1 - 0.50 Ra	S1
SF2 - 0.63 Ra	S2
SF3 - 0.75 Ra	S3
SF4 - 0.38 Ra E/Pol	S4
SF5 - 0.50 Ra E/Pol	S5
SF6 - 0.63 Ra E/Pol	S6
Material	Code
316L / 1.4404 L/S	B6

Ordering Code Example

1" BPE Ferrule	Length	Finish
FPA1050025	17.51	S4B6
Order code = FPA1050025445S4B6		

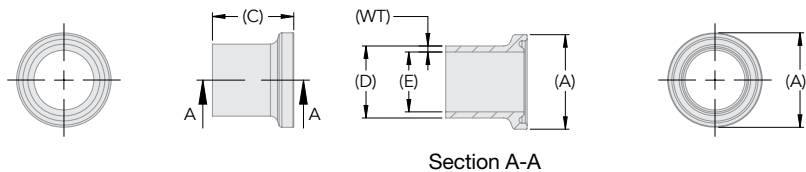
ACL Tri-Clamp Ferrules

ACL® DIN 32676 Table A Ferrules Short (0.5" - 1.10")

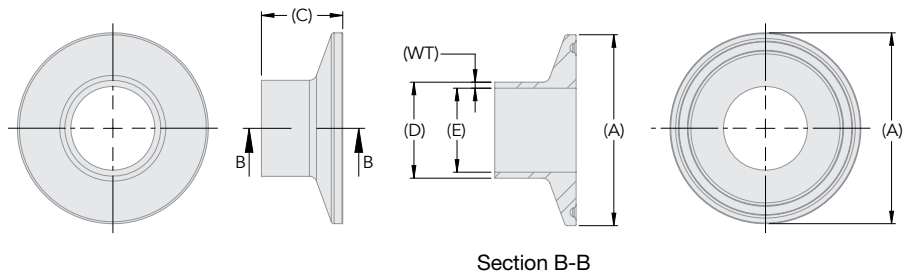
Material
316L / 1.4404



Type A – 0.98" Flange



Type B – 1.33" to 9.19" Flange



DIN 32676 Table A Ferrules – Short

Part Number	Nominal Size	Dimension (Inches)					Weight (lbs)	Legacy Part Number
	Metric	OD (D)	ID (E)	Flange (A)	Wall (WT)	Length (C)		
FDD2025008012SD6L	DIN 06	0.31	0.24	0.98	0.04	0.50	0.04	FRD.DNAS.006
FDD2025010012SD6L	DIN 08	0.39	0.31	0.98	0.04	0.50	0.04	FRD.DNAS.008
FDD2034013018SD6L	DIN 10	0.51	0.39	1.34	0.06	0.71	0.07	FRD.DNAS.010
FDD2034019018SD6L	DIN 15	0.75	0.63	1.34	0.06	0.71	0.07	FRD.DNAS.015
FDD2034023018SD6L	DIN 20	0.91	0.79	1.34	0.06	0.71	0.07	FRD.DNAS.020
FDD2050029021SD6L	DIN 25	1.14	1.02	1.99	0.06	0.85	0.15	FRD.DNAS.025
FDD2050035021SD6L	DIN 32	1.38	1.26	1.99	0.06	0.85	0.13	FRD.DNAS.032
FDD2050041021SD6L	DIN 40	1.61	1.50	1.99	0.06	0.85	0.11	FRD.DNAS.040
FDD2064053021SD6L	DIN 50	2.09	1.97	2.52	0.06	0.85	0.15	FRD.DNAS.050
FDD2091070028SD6L	DIN 65	2.76	2.60	3.58	0.08	1.10	0.42	FRD.DNAS.065
FDD2106085028SD6L	DIN 80	3.35	3.19	4.17	0.08	1.10	0.51	FRD.DNAS.080
FDD2119104028SD6L	DIN 100	4.09	3.94	4.69	0.08	1.10	0.49	FRD.DNAS.100
FDD2155129028SD6L	DIN 125	5.08	4.92	6.10	0.08	1.10	1.17	FRD.DNAS.125
FDD2183154028SD6L	DIN 150	6.06	5.91	7.20	0.08	1.10	1.68	FRD.DNAS.150
FDD2233204028SD6L	DIN 200	8.03	7.87	9.19	0.08	1.10	2.05	FRD.DNAS.200

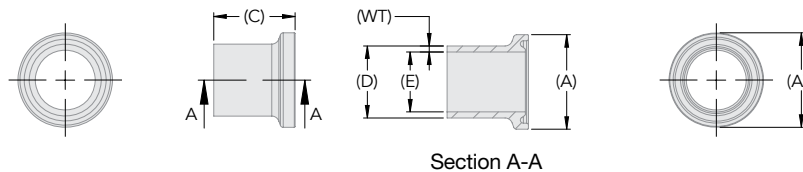
ACL Tri-Clamp Ferrules

ACL® DIN 32676 Table A Ferrules Long (1.12" - 2.59")

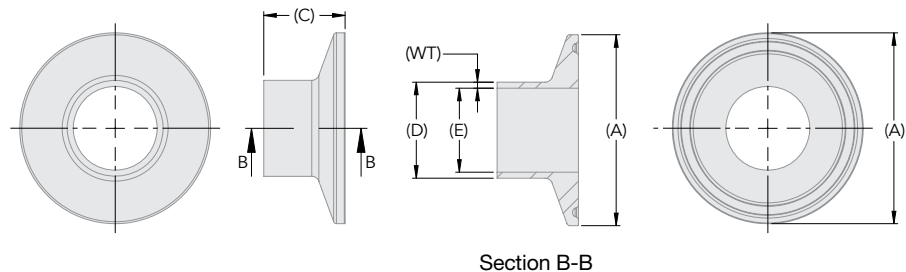
Material
316L / 1.4404



Type A – 0.98" Flange



Type B – 1.33" to 9.19"mm Flange



DIN 32676 Table A Ferrules - Long

Part Number	Nominal Size	Dimension (Inches)					Weight (lbs)	Legacy Part Number
		OD (D)	ID (E)	Flange (A)	Wall (WT)	Length (C)		
FDD2025008028SD6L	DIN 06	0.31	0.24	0.98	0.04	1.13	0.04	FRD.DNAL.006
FDD2025010028SD6L	DIN 08	0.39	0.31	0.98	0.04	1.13	0.04	FRD.DNAL.008
FDD2034013028SD6L	DIN 10	0.51	0.39	1.34	0.06	1.13	0.07	FRD.DNAL.010
FDD2034019028SD6L	DIN 15	0.75	0.63	1.34	0.06	1.13	0.07	FRD.DNAL.015
FDD2034023028SD6L	DIN 20	0.91	0.79	1.34	0.06	1.13	0.07	FRD.DNAL.020
FDD2050029036SD6L	DIN 25	1.14	1.02	1.99	0.06	1.42	0.18	FRD.DNAL.025
FDD2050035036SD6L	DIN 32	1.38	1.26	1.99	0.06	1.42	0.15	FRD.DNAL.032
FDD2050041036SD6L	DIN 40	1.61	1.50	1.99	0.06	1.42	0.15	FRD.DNAL.040
FDD2064053036SD6L	DIN 50	2.09	1.97	2.52	0.06	1.42	0.20	FRD.DNAL.050
FDD2091070048SD6L	DIN 65	2.76	2.60	3.58	0.08	1.89	0.55	FRD.DNAL.065
FDD2106085048SD6L	DIN 80	3.35	3.19	4.17	0.08	1.89	0.66	FRD.DNAL.080
FDD2119104048SD6L	DIN 100	4.09	3.94	4.69	0.08	1.89	0.68	FRD.DNAL.100
FDD2155129066SD6L	DIN 125	5.08	4.92	6.10	0.08	2.60	1.65	FRD.DNAL.125
FDD2183154066SD6L	DIN 150	6.06	5.91	7.20	0.08	2.60	2.09	FRD.DNAL.150
FDD2233204066SD6L	DIN 200	8.03	7.87	9.19	0.08	2.60	2.80	FRD.DNAL.200

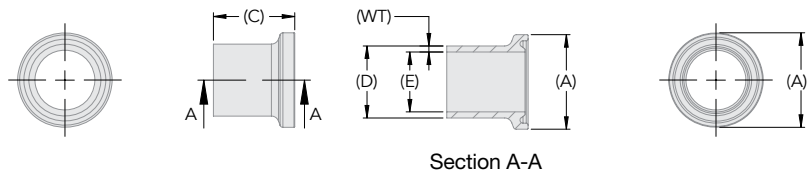
ACL Tri-Clamp Ferrules

ACL® DIN 32676 Table B Ferrules Short (0.5" - 1.10")

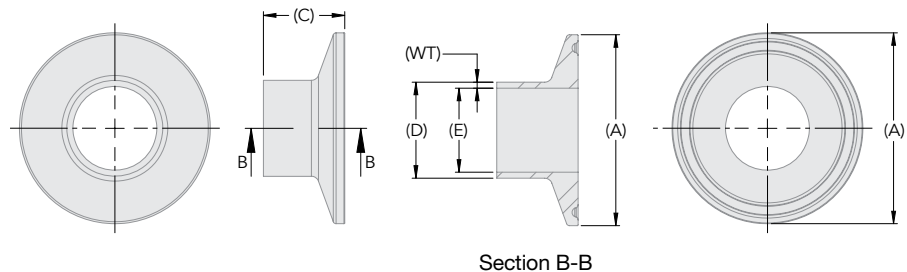
Material
316L / 1.4404



Type A – 0.98" Flange



Type B – 1.33" to 9.19" Flange



DIN 32676 Table B Ferrules – Short

Part Number	Nominal Size	Dimension (Inches)					Weight (lbs)	Legacy Part Number
		OD (D)	ID (E)	Flange (A)	Wall (WT)	Length (C)		
Fddb025010127SD6L	DIN 06	0.40	0.28	0.98	0.06	0.50	0.04	FRD.DNBS.006
Fddb025013127SD6L	DIN 08	0.53	0.41	0.98	0.06	0.50	0.02	FRD.DNBS.008
Fddb025017018SD6L	DIN 10	0.68	0.55	1.34	0.06	0.71	0.04	FRD.DNBS.010
Fddb050021018SD6L	DIN 15	0.84	0.71	1.34	0.06	0.71	0.18	FRD.DNBS.015
Fddb050027018SD6L	DIN 20	1.06	0.93	1.34	0.06	0.71	0.15	FRD.DNBS.020
Fddb050034021SD6L	DIN 25	1.33	1.17	1.99	0.08	0.85	0.15	FRD.DNBS.025
Fddb064042021SD6L	DIN 32	1.67	1.51	1.99	0.08	0.85	0.22	FRD.DNBS.032
Fddb064048021SD6L	DIN 40	1.90	1.74	1.99	0.08	0.85	0.20	FRD.DNBS.040
Fddb077060021SD6L	DIN 50	2.37	2.22	2.52	0.08	0.85	0.26	FRD.DNBS.050
Fddb091076021SD6L	DIN 65	3.00	2.84	3.58	0.08	1.10	0.35	FRD.DNBS.065
Fddb106089028SD6L	DIN 80	3.50	3.32	4.17	0.09	1.10	0.46	FRD.DNBS.080
Fddb130114028SD6L	DIN 100	4.50	4.32	4.69	0.09	1.10	0.57	FRD.DNBS.100
Fddb155140028SD6L	DIN 125	5.50	5.30	6.10	0.10	1.10	0.93	FRD.DNBS.125
Fddb183168028SD6L	DIN 150	6.63	6.42	7.20	0.10	1.10	1.08	FRD.DNBS.150
Fddb233219028SD6L	DIN 200	8.63	8.42	9.19	0.10	1.10	1.41	FRD.DNBS.200

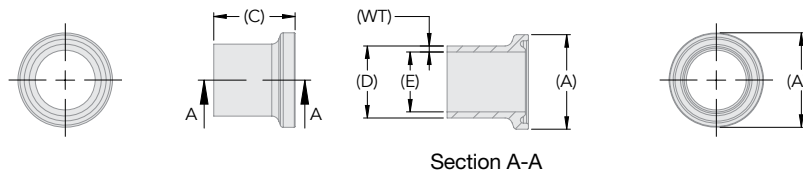
ACL Tri-Clamp Ferrules

ACL® DIN 32676 Table B Ferrules Long (1.12" - 2.59")

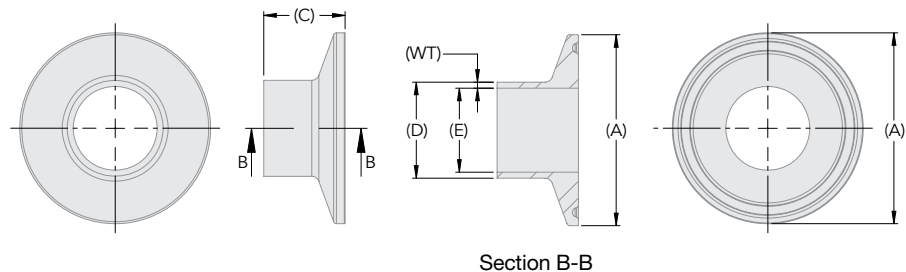
Material
316L / 1.4404



Type A – 0.98" Flange



Type B – 1.33" to 9.19" Flange



DIN 32676 Table B Ferrules – Long

Part Number	Nominal Size	Dimension (Inches)					Weight (lbs)	Legacy Part Number
		OD (D)	ID (E)	Flange (A)	Wall (WT)	Length (C)		
Fddb025010286SD6L	DIN 06	0.40	0.28	0.98	0.06	1.13	0.04	FRD.DNBL.006
Fddb025013286SD6L	DIN 08	0.53	0.41	0.98	0.06	1.13	0.04	FRD.DNBL.008
Fddb025017286SD6L	DIN 10	0.68	0.55	1.34	0.06	1.13	0.07	FRD.DNBL.010
Fddb050021286SD6L	DIN 15	0.84	0.71	1.34	0.06	1.13	0.18	FRD.DNBL.015
Fddb050027286SD6L	DIN 20	1.06	0.93	1.34	0.06	1.13	0.18	FRD.DNBL.020
Fddb050034036SD6L	DIN 25	1.33	1.17	1.99	0.08	1.42	0.20	FRD.DNBL.025
Fddb064042036SD6L	DIN 32	1.67	1.51	1.99	0.08	1.42	0.29	FRD.DNBL.032
Fddb064048036SD6L	DIN 40	1.90	1.74	1.99	0.08	1.42	0.26	FRD.DNBL.040
Fddb077060036SD6L	DIN 50	2.37	2.22	2.52	0.08	1.42	0.35	FRD.DNBL.050
Fddb091076048SD6L	DIN 65	3.00	2.84	3.58	0.08	1.89	0.51	FRD.DNBL.065
Fddb106089048SD6L	DIN 80	3.50	3.32	4.17	0.09	1.89	0.68	FRD.DNBL.080
Fddb130114048SD6L	DIN 100	4.50	4.32	4.69	0.09	1.89	0.86	FRD.DNBL.100
Fddb155140066SD6L	DIN 125	5.50	5.30	6.10	0.10	2.60	1.65	FRD.DNBL.125
Fddb183168066SD6L	DIN 150	6.63	6.42	7.20	0.10	2.60	1.96	FRD.DNBL.150
Fddb233219066SD6L	DIN 200	8.63	8.42	9.19	0.10	2.60	2.54	FRD.DNBL.200

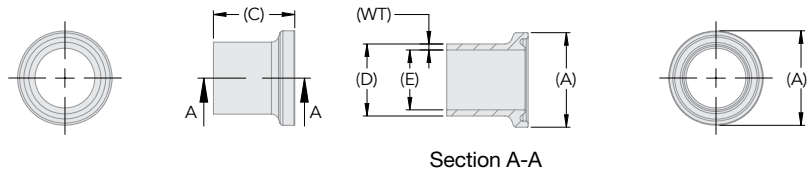
ACL Tri-Clamp Ferrules

ACL® DIN 32676 Table C Ferrules Short (0.5" - 1.10")

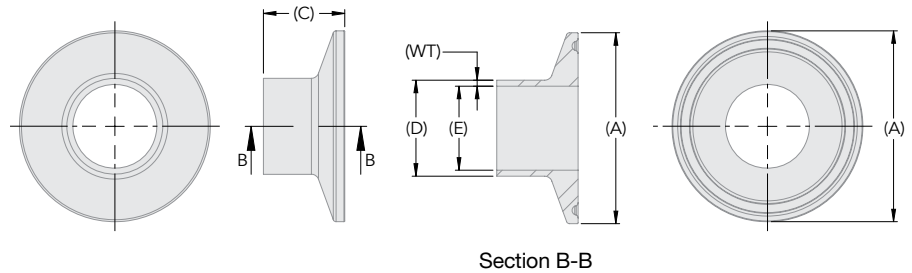
Material
316L / 1.4404
Low Sulphur



Type A – 0.98" Flange



Type B – 1.98" to 6.57" Flange



DIN 32676 Table C Ferrules – Short

Part Number	Nominal Size	Dimension (Inches)					Weight (lbs)	Legacy Part Number
	Imperial	OD (D)	ID (E)	Flange (A)	Wall (WT)	Length (C)		
FDDC025635127SD6L	1/4"	0.25	0.18	0.98	0.04	0.50	0.04	FRD.DNCS.025
FDDC025952127SD6L	3/8"	0.37	0.30	0.98	0.04	0.50	0.04	FRD.DNCS.038
FDDC025127127SD6L	1/2"	0.42	0.37	0.98	0.06	0.50	0.04	FRD.DNCS.050
FDDC025195127SD6L	3/4"	0.75	0.62	0.98	0.06	0.50	0.04	FRD.DNCS.075
FDDC050025021SD6L	1"	1.00	0.87	1.99	0.06	0.85	0.15	FRD.DNCS.100
FDDC050038021SD6L	1-1/2"	1.50	1.37	1.99	0.06	0.85	0.11	FRD.DNCS.150
FDDC0645051021SD6L	2"	2.00	1.87	2.52	0.06	0.85	0.15	FRD.DNCS.200
FDDC077063028SD6L	2-1/2"	2.50	2.37	3.05	0.06	1.10	0.24	FRD.DNCS.250
FDDC091076028SD6L	3"	3.00	2.87	3.58	0.06	1.10	0.31	FRD.DNCS.300
FDDC119101028SD6L	4"	4.00	3.83	4.69	0.08	1.10	0.53	FRD.DNCS.400
FDDC167154028SD6L	6"	6.00	5.78	6.57	0.11	1.10	1.01	FRD.DNCS.600

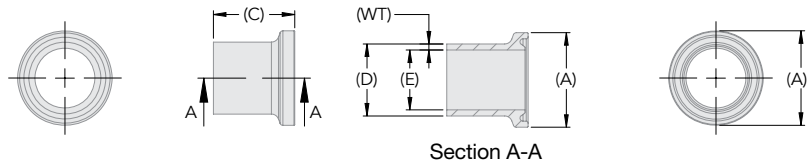
ACL Tri-Clamp Ferrules

ACL® DIN 32676 Table C Ferrules Long (1.12" - 2.59")

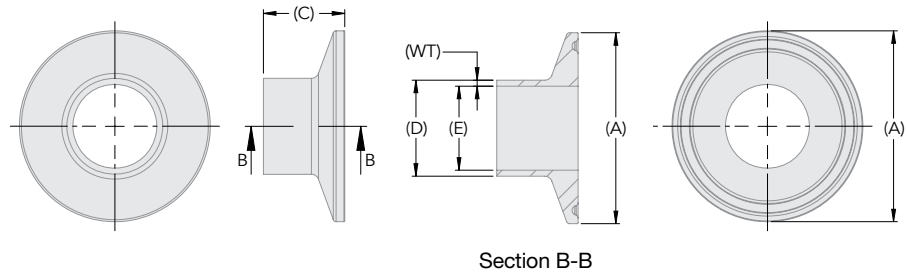
Material
316L / 1.4404
Low Sulphur



Type A – 0.98" Flange



Type B – 1.98" to 6.57" Flange



DIN 32676 Table C Ferrules – Long

Part Number	Nominal Size	Dimension (Inches)					Weight (lbs)	Legacy Part Number
	Imperial	OD (D)	ID (E)	Flange (A)	Wall (WT)	Length (C)		
FDDC025635286SD6L	1/4"	0.25	0.18	0.98	0.04	1.13	0.04	FRD.DNCL.025
FDDC025952286SD6L	3/8"	0.37	0.30	0.98	0.04	1.13	0.04	FRD.DNCL.038
FDDC025127286SD6L	1/2"	0.42	0.37	0.98	0.06	1.13	0.07	FRD.DNCL.050
FDDC025195286SD6L	3/4"	0.75	0.62	0.98	0.06	1.13	0.07	FRD.DNCL.075
FDDC050025036SD6L	1"	1.00	0.87	1.99	0.06	1.42	0.18	FRD.DNCL.100
FDDC050038036SD6L	1-1/2"	1.50	1.37	1.99	0.06	1.42	0.13	FRD.DNCL.150
FDDC0645051036SD6L	2"	2.00	1.87	2.52	0.06	1.42	0.20	FRD.DNCL.200
FDDC077063036SD6L	2-1/2"	2.50	2.37	3.05	0.06	1.42	0.29	FRD.DNCL.250
FDDC091076048SD6L	3"	3.00	2.87	3.58	0.06	1.89	0.40	FRD.DNCL.300
FDDC119101048SD6L	4"	4.00	3.83	4.69	0.08	1.89	0.68	FRD.DNCL.400
FDDC167154060SD6L	6"	6.00	5.78	6.57	0.11	2.36	1.46	FRD.DNCL.600

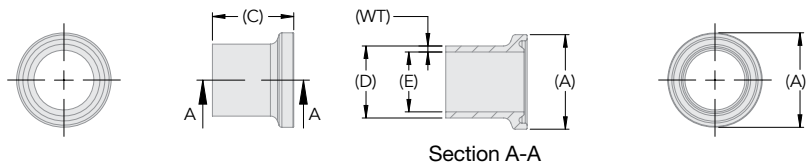
ACL Tri-Clamp Ferrules

ACL® ISO 1127 Ferrules Standard

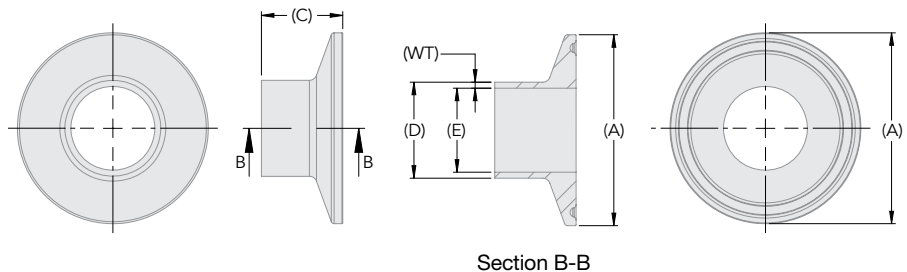
Material
316L / 1.4404



Type A – 0.98” Flange



Type B – 1.98” to 13.30” Flange



ISO 1127 Ferrules – Standard

Part Number	Nominal Size	Dimension (Inches)					Weight (lbs)	Legacy Part Number
		OD (D)	ID (E)	Flange (A)	Wall (WT)	Length (C)		
FDI7025013021SD6L	DN 8	0.53	0.41	0.98	0.06	0.85	0.04	FRD.IS1.D008
FDI7025017021SD6L	DN 10	0.68	0.55	0.98	0.06	0.85	0.04	FRD.IS1.D010
FDI7050021021SD6L	DN 15	0.84	0.71	1.99	0.06	0.85	0.18	FRD.IS1.D015
FDI7050026021SD6L	DN 20	1.06	0.93	1.99	0.06	0.85	0.18	FRD.IS1.D020
FDI7050033021SD6L	DN 25	1.33	1.17	1.99	0.08	0.85	0.15	FRD.IS1.D025
FDI7064042021SD6L	DN 32	1.67	1.51	2.52	0.08	0.85	0.24	FRD.IS1.D032
FDI7064048021SD6L	DN 40	1.90	1.74	2.52	0.08	0.85	0.20	FRD.IS1.D040
FDI7077060021SD6L	DN 50	2.37	2.22	3.05	0.08	0.85	0.26	FRD.IS1.D050
FDI7091076021SD6L	DN 65	3.00	2.84	3.58	0.08	0.85	0.31	FRD.IS1.D065
FDI7106089021SD6L	DN 80	3.50	3.32	4.17	0.09	0.85	0.40	FRD.IS1.D080
FDI7130114028SD6L	DN 100	4.50	4.32	5.12	0.09	1.10	0.55	FRD.IS1.D100
FDI7155139028SD6L	DN 125	5.50	5.30	6.10	0.10	1.10	0.82	FRD.IS1.D125
FDI7183168028SD6L	DN 150	6.63	6.42	7.20	0.10	1.10	1.12	FRD.IS1.D150
FDI7233219028SD6L	DN 200	8.63	8.42	9.19	0.10	1.10	1.46	FRD.IS1.D200
FDI7286273028SD6L	DN 250	10.75	10.54	11.26	0.10	1.10	2.05	FRD.IS1.D250
FDI7338324028SD6L	DN 300	12.75	12.55	13.33	0.10	1.10	2.82	FRD.IS1.D300

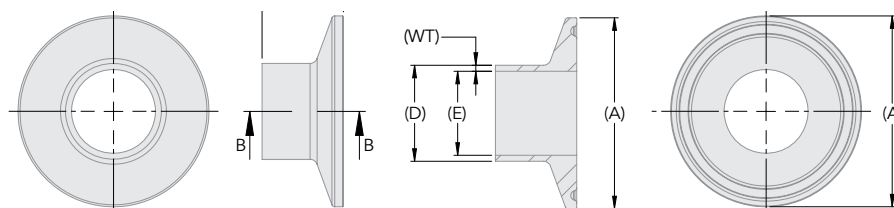
ACL Tri-Clamp Ferrules

ACL® ISO 1127 Ferrules Variations

Material
316L / 1.4404



Type B – 1.33" to 3.58" Flange



Section B-B

ISO 1127 Ferrules – Variations

Part Number	Nominal Size	Dimension (Inches)					Weight (lbs)	Legacy Part Number
	Metric	OD (D)	ID (E)	Flange (A)	Wall (WT)	Length (C)		
FDI8034013018SD6L	DN 8	0.53	0.41	1.34	0.06	0.71	0.07	FRD.IS1X.D008.A
FDI8050013021SD6L	DN 8	0.53	0.41	1.99	0.06	0.85	0.09	FRD.IS1X.D008.B
FDI8034017018SD6L	DN 10	0.68	0.55	1.34	0.06	0.71	0.07	FRD.IS1X.D010.A
FDI8034017021SD6L	DN 10	0.68	0.55	1.99	0.06	0.85	0.09	FRD.IS1X.D010.B
FDI8064021018SD6L	DN 15	0.84	0.71	1.34	0.06	0.71	0.07	FRD.IS1X.D015.A
FDI8050026021SD6L	DN 20	1.06	0.93	1.99	0.06	0.85	0.15	FRD.IS1X.D020.A
FDI8050033021SD6L	DN 25	1.33	1.20	1.99	0.06	0.85	0.15	FRD.IS1X.D025.A
FDI8050034021SD6L	DN 25	1.33	1.23	1.99	0.05	0.85	0.11	FRD.IS1X.D025.B
FDI8091076021SD6L	DN 65	3.00	2.87	3.58	0.06	0.85	0.26	FRD.IS1X.D065.A

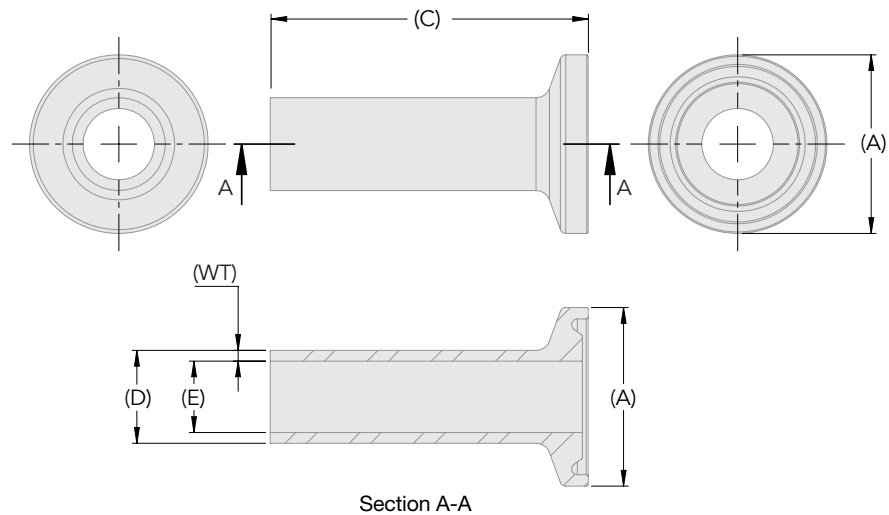
ACL Tri-Clamp Ferrules

ACL® Mini-series Ultra-bore Ferrules Metric & Imperial

Material
316L / 1.4404



Type A – 0.98” Flange



Mini-series Ultra-bore Ferrules – Metric

Part Number	Nominal Size	Dimension (Inches)					Weight (lbs)	Legacy Part Number
		OD (D)	ID (E)	Flange (A)	Wall (WT)	Length (C)		
FDM2025006021SD6L	6 x 4	0.24	0.16	0.98	0.04	0.85	0.04	FRD.MS.0604
FDM2025008021SD6L	8 x 6	0.31	0.24	0.98	0.04	0.85	0.04	FRD.MS.0806
FDM2025010021SD6L	10 x 8	0.39	0.31	0.98	0.04	0.85	0.04	FRD.MS.1008
FDM2025012021SD6L	12 x 10	0.47	0.39	0.98	0.04	0.85	0.04	FRD.MS.1210
FDM2025014021SD6L	14 x 12	0.55	0.47	0.98	0.04	0.85	0.04	FRD.MS.1412
FDM2025016021SD6L	16 x 14	0.63	0.55	0.98	0.04	0.85	0.04	FRD.MS.1614
FDM2025018021SD6L	18 x 16	0.71	0.63	0.98	0.04	0.85	0.04	FRD.MS.1816

Mini-series Ultra-bore Ferrules – Imperial

Part Number	Nominal Size	Dimension (Inches)					Weight (lbs)	Legacy Part Number
		OD (D)	ID (E)	Flange (A)	Wall (WT)	Length (C)		
FDM2025635021SD6L	1/4"	0.25	0.18	0.98	0.04	0.85	0.04	FRD.MSI.025
FDM2025952021SD6L	3/8"	0.38	0.30	0.98	0.04	0.85	0.04	FRD.MSI.038
FDB4025127021SD6L	1/2"	0.50	0.37	0.98	0.06	0.85	0.04	FRD.MSI.050
FDB4025195021SD6L	3/4"	0.75	0.62	0.98	0.06	0.85	0.04	FRD.MSI.075

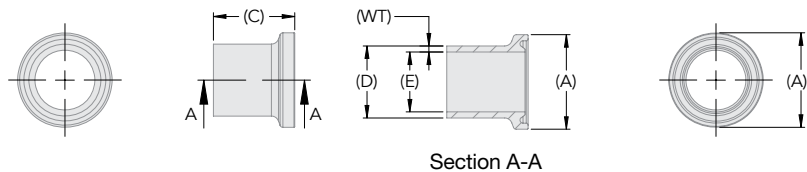
ACL Tri-Clamp Ferrules

ACL® SMS 3008/3017 Ferrules

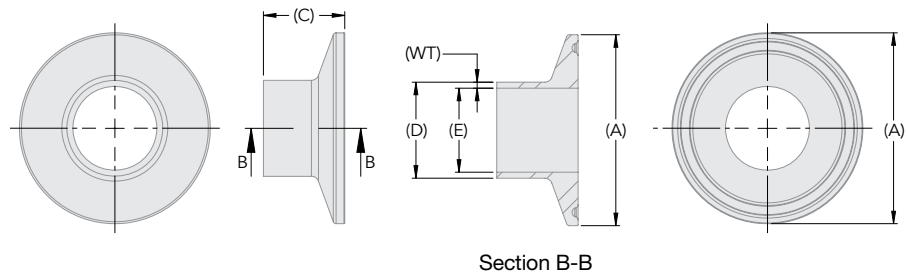
Material
316L / 1.4404



Type A – 0.98” Flange



Type B – 1.98” to 13.30” Flange



SMS 3008 Ferrules

Part Number	Nominal Size		Dimension (Inches)					Weight (lbs)	Legacy Part Number
	Metric (mm)	Imperial (inches)	OD (D)	ID (E)	Flange (A)	Wall (WT)	Length (C)		
FDS8025018021SD6L	18	3/4	0.71	0.63	0.98	0.04	0.85	0.04	FRD.SM8.0075
FDS8050025021SD6L	25	1	0.98	0.89	1.99	0.05	0.85	0.15	FRD.SM8.0100
FDS8050038021SD6L	38	1-1/2	1.50	1.40	1.99	0.05	0.85	0.11	FRD.SM8.0150
FDS8064051021SD6L	51	2	2.01	1.91	2.52	0.05	0.85	0.13	FRD.SM8.0200
FDS8077063021SD6L	63.5	2-1/2	2.50	2.37	3.05	0.06	0.85	0.22	FRD.SM8.0250
FDS8091076021SD6L	76.1	3	3.00	2.87	3.58	0.06	0.85	0.26	FRD.SM8.0300
FDS8106089021SD6L	89	3-1/2	3.50	3.35	4.17	0.08	0.85	0.46	FRD.SM8.0350
FDS8119101021SD6L	101.6	4	4.00	3.84	4.69	0.08	0.85	0.46	FRD.SM8.0400

SMS 3017 Ferrules

Part Number	Nominal Size		Dimension (Inches)					Weight (lbs)	Legacy Part Number
	Metric (mm)	Imperial (inches)	OD (D)	ID (E)	Flange (A)	Wall (WT)	Length (C)		
FDS7050025021SD6L	25	1	1.01	0.89	1.99	0.06	0.85	0.04	FRD.SM7.0100
FDS7050034021SD6L	33.7	1-1/4	1.33	1.21	1.99	0.06	0.85	0.15	FRD.SM7.0125
FDS7050038021SD6L	38	1-1/2	1.50	1.40	1.99	0.06	0.85	0.11	FRD.SM7.0150
FDS7064051021SD6L	51	2	2.01	1.91	2.52	0.06	0.85	0.13	FRD.SM7.0200
FDS7077064021SD6L	63.5	2-1/2	2.50	2.37	3.05	0.07	0.85	0.22	FRD.SM7.0250
FDS7091076021SD6L	76.1	3	3.00	2.87	3.58	0.07	0.85	0.26	FRD.SM7.0300
FDS7106089021SD6L	88.9	3-1/2	3.50	3.34	4.17	0.10	0.85	0.46	FRD.SM7.0350
FDS7119102021SD6L	101.6	4	4.00	3.84	4.69	0.10	0.85	0.46	FRD.SM7.0400

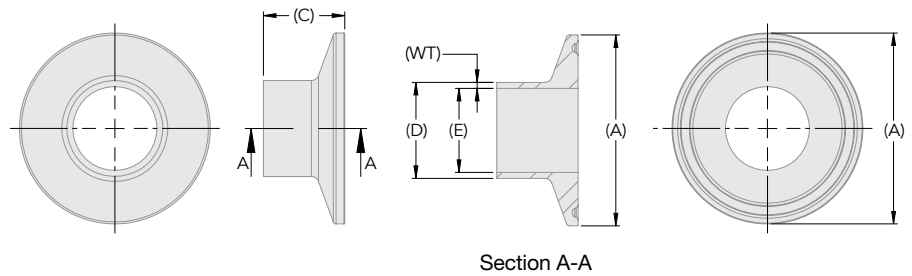
ACL Tri-Clamp Ferrules

ACL® SWG Ferrules

Material
316L / 1.4404



Type B – 1.98” to 4.68” Flange



SWG Ferrules

Part Number	Nominal Size		Dimension (Inches)					Weight (lbs)	Legacy Part Number
	Metric (mm)	Imperial (inches)	OD (D)	ID (E)	Flange (A)	Wall (WT)	Length (C)		
FDS1050025021S56L	25.4	1	1.00	0.87	1.99	0.06	0.85	0.15	FRD.SW.0100
FDS1050038021S56L	38.1	1-1/2	1.50	1.37	1.99	0.06	0.85	13.23	FRD.SW.0150
FDS1064051021SD6L	51	2	2.00	1.87	2.52	0.06	0.85	0.18	FRD.SW.0200
FDS1077063021SD6L	63.5	2-1/2	2.50	2.37	3.05	0.06	0.85	0.22	FRD.SW.0250
FDS1091076021SD6L	76.1	3	3.00	2.87	3.58	0.06	0.85	0.29	FRD.SW.0300
FDS1119101021SD6L	101.6	4	4.00	3.83	4.69	0.08	0.85	0.46	FRD.SW.0400

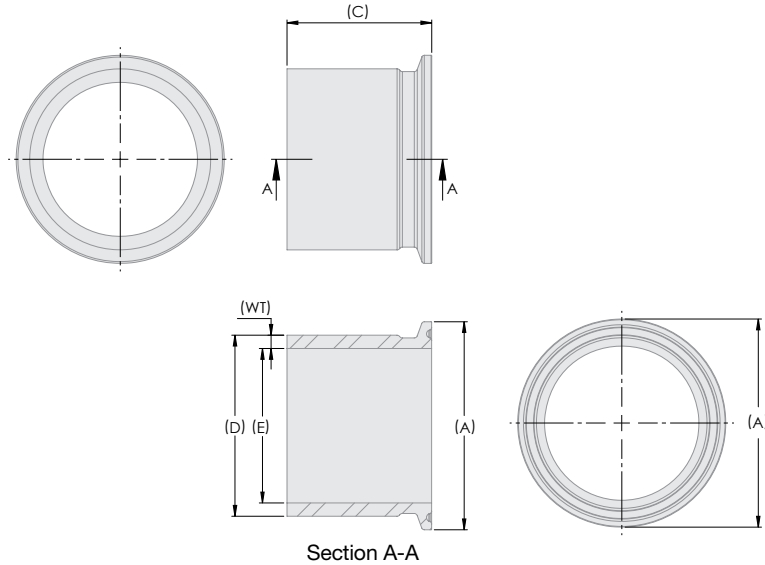
ACL Tri-Clamp Ferrules

ACL® MPW Tank Ferrules

Material
316L / 1.4404



Type B – 1.98" to 8.55" Flange



MPW Tank Ferrules

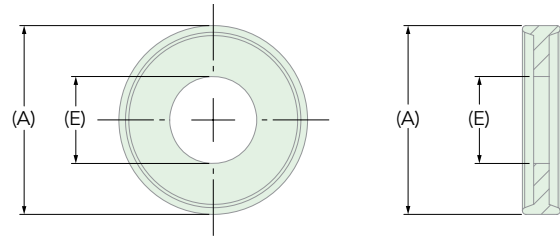
Part Number	Nominal Size	Dimension (Inches)						Legacy Part Number
	Imperial	OD (D)	ID (E)	Flange (A)	Wall (WT)	Neck (S)	Length (C)	
FDM1050029041SD6L	1"	1.16	0.87	1.99	0.14	0.98	1.63	FRD.MPW.0100
FDM1050042041SD6L	1-1/2"	1.68	1.37	1.99	0.15	1.59	1.63	FRD.MPW.0150
FDM1064055044SD6L	2"	2.19	1.87	2.52	0.16	2.13	1.75	FRD.MPW.0200
FDM1077068044SD6L	2-1/2"	2.71	2.37	3.05	0.17	2.66	1.75	FRD.MPW.0250
FDM1091081046SD6L	3"	3.22	2.87	3.58	0.18	3.19	1.81	FRD.MPW.0300
FDM1119108054SD6L	4"	4.26	3.83	4.69	0.21	4.13	2.13	FRD.MPW.0400
FDM1167157063SD6L	6"	6.19	5.76	6.57	0.22	6.10	2.50	FRD.MPW.0600
FDM1217208063SD6L	8"	8.19	7.76	8.56	0.22	8.07	2.50	FRD.MPW.0800

Gaskets

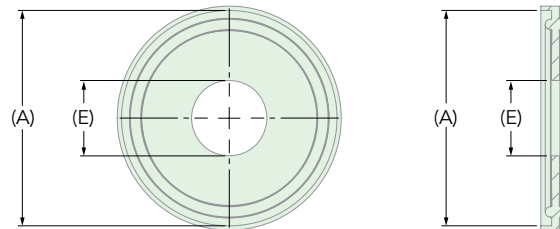
ACL® BS 4825 Gaskets



Gasket configurations for all 0.98" flange sizes



Gasket configurations for all flange sizes except 0.98"



BS4825 Gaskets

Part Number	Nominal Size	Dimension (Inches)		Legacy Part Number
	Imperial	ID (E)	Flange (A)	
GDULB4025127	1/2"	0.37	0.87*	GK.BS.0050
GDULB4025195	3/4"	0.62	0.87*	GK.BS.0075
GDLPB4050025	1"	0.87	1.99	GK.BS.0100
GDLPB4050038	1-1/2"	1.37	1.99	GK.BS.0150
GDLPB4064051	2"	1.87	2.52	GK.BS.0200
GDLPB4077063	2-1/2"	2.37	3.05	GK.BS.0250
GDLPB4091076	3"	2.87	3.58	GK.BS.0300
GDLPB4106089	3-1/2"	3.33	4.17	GK.BS.0350
GDLPB4119101	4"	3.84	4.69	GK.BS.0400
GDLPB4130114	4-1/2"	4.34	5.12	GK.BS.0450
GDLPB4144127	5"	4.84	5.67	GK.BS.0500
GDLPB4155140	5-1/2"	5.34	6.10	GK.BS.0550
GDLPB4167154	6"	5.91	6.57	GK.BS.0600
GDLPB4183169	6-5/8"	6.42	7.20	GK.BS.0658
GDLPB4217204	8"	7.87	8.56	GK.BS.0800
GDLPB4233220	8-5/8"	8.42	9.19	GK.BS.0858
GDLPB4268254	10"	9.84	10.55	GK.BS.1000
GDLPB4286273	10-5/8"	10.48	11.26	GK.BS.1058
GDLPB4319304	12"	11.84	12.56	GK.BS.1200
GDLPB4338324	12-5/8"	12.44	13.31	GK.BS.1258

Gasket Material Codes

Material Type	Ordering Code
EPDM Blue	EU
EPDM Black	EK
Silicone White	SW
Silicone Translucent	ST
FKM Green	VG
FKM Black	VB
PTFE Solid	PS
PTFE Envelope (Viton®)	PE
PTFE Envelope (EPDM)	PZ
Nitrile	NT

Ordering Code Example

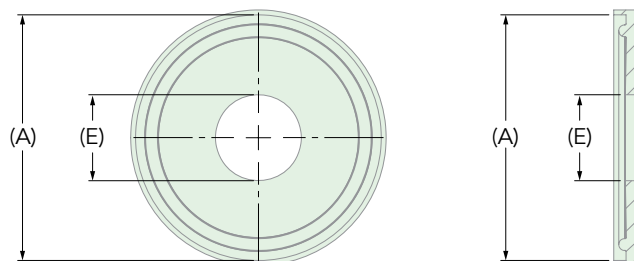
4" Gasket	Material
GDLPB4119101	EPDM Blue
Order code = GDLPB4119101EU	

Gaskets

ACL® BS Schedule 5 Gaskets



Gasket configurations for all flange sizes except 0.98"



BS Schedule 5 Gaskets

Part Number	Nominal Size	Dimension (Inches)		Legacy Part Number
	Imperial	ID (E)	Flange (A)	
GDLPB1050021	1/2"	0.71	1.99	GK.BS05.0050
GDLPB1064026	3/4"	0.92	1.99	GK.BS05.0075
GDLPB1077033	1"	1.19	1.99	GK.BS05.0100
GDLPB1064042	1-1/4"	1.53	2.52	GK.BS05.0125
GDLPB1064048	1-1/2"	1.77	2.52	GK.BS05.0150
GDLPB1091060	2"	2.24	3.05	GK.BS05.0200
GDLPB1091073	2-1/2"	2.71	3.58	GK.BS05.0250
GDLPB1106089	3"	3.33	4.17	GK.BS05.0300
GDLPB1119101	3-1/2"	3.83	4.69	GK.BS05.0350
GDLPB1130114	4"	4.33	5.12	GK.BS05.0400
GDLPB1155141	5"	5.34	6.10	GK.BS05.0500
GDLPB1183168	6"	6.41	7.20	GK.BS05.0600
GDLPB1233219	8"	8.41	9.19	GK.BS05.0800
GDLPB1286273	10"	10.48	11.26	GK.BS05.1000
GDLPB1338324	12"	12.44	13.31	GK.BS05.1200

Gasket Material Codes

Material Type	Ordering Code
EPDM Blue	EU
EPDM Black	EK
Silicone White	SW
Silicone Translucent	ST
FKM Green	VG
FKM Black	VB
PTFE Solid	PS
PTFE Envelope (Viton®)	PE
PTFE Envelope (EPDM)	PZ
Nitrile	NT

Ordering Code Example

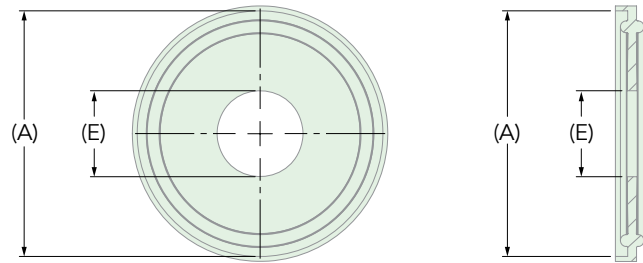
4" Gasket	Material
GDLPB1130114	EPDM Blue
Order code = GDLPB1130114EU	

Gaskets

ACL® BS Schedule 10 Gaskets



Gasket configurations for all flange sizes except 0.98"



BS Schedule 10 Gaskets

Part Number	Nominal Size	Dimension (Inches)		Legacy Part Number
	Imperial	ID (E)	Flange (A)	
GDLPB2050021	1/2"	0.67	1.99	GK.BS10.0050
GDLPB2050026	3/4"	0.88	1.99	GK.BS10.0075
GDLPB2050033	1"	1.10	1.99	GK.BS10.0100
GDLPB2064042	1-1/4"	1.44	2.52	GK.BS10.0125
GDLPB2064048	1-1/2"	1.68	2.52	GK.BS10.0150
GDLPB2077060	2"	2.16	3.05	GK.BS10.0200
GDLPB2091073	2-1/2"	2.64	3.58	GK.BS10.0250
GDLPB2106089	3"	3.26	4.17	GK.BS10.0300
GDLPB2119101	3-1/2"	3.76	4.69	GK.BS10.0350
GDLPB2130114	4"	4.26	5.12	GK.BS10.0400
GDLPB2155141	5"	5.30	6.10	GK.BS10.0500
GDLPB2183168	6"	6.36	7.20	GK.BS10.0600
GDLPB2233219	8"	8.33	9.19	GK.BS10.0800
GDLPB2286273	10"	10.42	11.26	GK.BS10.1000
GDLPB2338324	12"	12.39	13.31	GK.BS10.1200

Gasket Material Codes

Material Type	Ordering Code
EPDM Blue	EU
EPDM Black	EK
Silicone White	SW
Silicone Translucent	ST
FKM Green	VG
FKM Black	VB
PTFE Solid	PS
PTFE Envelope (Viton®)	PE
PTFE Envelope (EPDM)	PZ
Nitrile	NT

Ordering Code Example

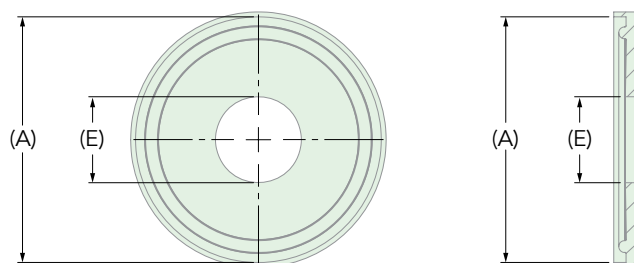
4" Gasket	Material
GDLPB2130114	EPDM Blue
Order code = GDLPB2130114EU	

Gaskets

ACL® BS Schedule 40 Gaskets



Gasket configurations for all flange sizes except 0,98"



BS Schedule 40 Gaskets

Part Number	Nominal Size	Dimension (Inches)		Legacy Part Number
	Imperial	ID (E)	Flange (A)	
GDLPB3050021	1/2"	0.62	1.99	GK.BS40.0050
GDLPB3050026	3/4"	0.82	1.99	GK.BS40.0075
GDLPB3050033	1"	1.05	1.99	GK.BS40.0100
GDLPB3064042	1-1/4"	1.38	2.52	GK.BS40.0125
GDLPB3064048	1-1/2"	1.61	2.52	GK.BS40.0150
GDLPB3077060	2"	2.07	3.05	GK.BS40.0200
GDLPB3091073	2-1/2"	2.47	3.58	GK.BS40.0250
GDLPB3106089	3"	3.07	4.17	GK.BS40.0300
GDLPB3119101	3-1/2"	3.55	4.69	GK.BS40.0350
GDLPB3130114	4"	4.03	5.12	GK.BS40.0400
GDLPB3155141	5"	5.05	6.10	GK.BS40.0500
GDLPB3183168	6"	6.07	7.20	GK.BS40.0600
GDLPB3233219	8"	7.98	9.19	GK.BS40.0800
GDLPB3286273	10"	10.02	11.26	GK.BS40.1000
GDLPB3338324	12"	12.00	13.31	GK.BS40.1200

Gasket Material Codes

Material Type	Ordering Code
EPDM Blue	EU
EPDM Black	EK
Silicone White	SW
Silicone Translucent	ST
FKM Green	VG
FKM Black	VB
PTFE Solid	PS
PTFE Envelope (Viton®)	PE
PTFE Envelope (EPDM)	PZ
Nitrile	NT

Ordering Code Example

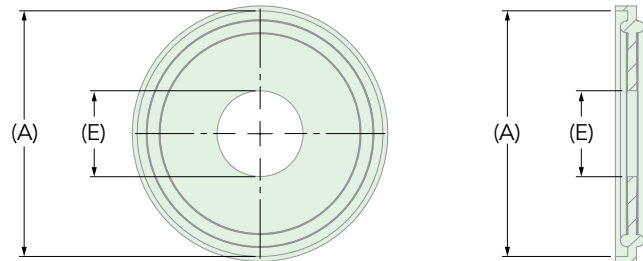
4" Gasket	Material
GDLPB3130114	EPDM Blue
Order code = GDLPB3130114EU	

Gaskets

ACL® DIN 32676 Gaskets



Gasket configurations for all flange sizes except 0.98mm



DIN 32676 Gaskets

Part Number	Nominal Size	Dimension (Inches)		Legacy Part Number
	Metric	ID (E)	Flange (A)	
GDLPD2034013	DIN 10	0.39	1.34	GK.DN.010
GDLPD2034019	DIN 15	0.63	1.34	GK.DN.015
GDLPD2034023	DIN 20	0.79	1.34	GK.DN.020
GDLPD2050029	DIN 25	1.02	1.99	GK.DN.025
GDLPD2050035	DIN 32	1.26	1.99	GK.DN.032
GDLPD2050041	DIN 40	1.50	1.99	GK.DN.040
GDLPD2064053	DIN 50	1.97	2.52	GK.DN.050
GDLPD2091070	DIN 65	2.60	3.58	GK.DN.065
GDLPD2106085	DIN 80	3.19	4.17	GK.DN.080
GDLPD2119104	DIN 100	3.94	4.69	GK.DN.100
GDLPD2155129	DIN 125	4.92	6.10	GK.DN.125
GDLPD2183154	DIN 150	5.91	7.20	GK.DN.150
GDLPD2233204	DIN 200	7.87	9.19	GK.DN.200
GDLPD2144127	DIN 125	4.92	5.69	GK.DNX.125
GDLPD2167154	DIN 150	5.91	6.57	GK.DNX.150
GDLPD2217204	DIN 200	7.87	8.56	GK.DNX.200
GDLPD2268254	DIN 250	9.84	10.55	GK.DNX.250
GDLPD2319304	DIN 300	11.81	12.56	GK.DNX.300

Gasket Material Codes

Material Type	Ordering Code
EPDM Blue	EU
EPDM Black	EK
Silicone White	SW
Silicone Translucent	ST
FKM Green	VG
FKM Black	VB
PTFE Solid	PS
PTFE Envelope (Viton®)	PE
PTFE Envelope (EPDM)	PZ
Nitrile	NT

Ordering Code Example

DIN 50 Gasket	Material
GDLPD2064053	EPDM Blue
Order code = GDLPD2064053EU	

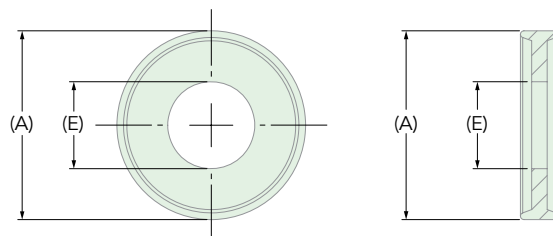
Gaskets

ACL® ISO 1127 Gaskets

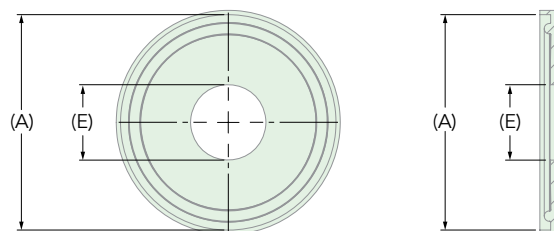
Standard



Gasket configurations for all 0.98" flange sizes



Gasket configurations for all flange sizes except 0.98"



ISO 1127 Gaskets – Standard

Part Number	Nominal Size	Dimension (Inches)		Legacy Part Number
	ISO	ID (E)	Flange (A)	
GDULI7025013	8	0.41	0.87	GK.IS1.D008
GDULI7025017	10	0.55	0.87	GK.IS1.D010
GDLPI7050021	15	0.71	1.99	GK.IS1.D015
GDLPI7050026	20	0.90	1.99	GK.IS1.D020
GDLPI7050033	25	1.17	1.99	GK.IS1.D025
GDLPI7064042	32	1.51	2.52	GK.IS1.D032
GDLPI7064048	40	1.74	2.52	GK.IS1.D040
GDLPI7077060	50	2.22	3.05	GK.IS1.D050
GDLPI7091076	65	2.84	3.58	GK.IS1.D065
GDLPI7106089	80	3.34	4.17	GK.IS1.D080
GDLPI7130114	100	4.34	5.12	GK.IS1.D100
GDLPI7155140	125	5.34	6.10	GK.IS1.D125
GDLPI7183169	150	6.42	7.20	GK.IS1.D150
GDLPI7233220	200	8.42	9.19	GK.IS1.D200
GDLPI7286273	250	10.54	11.26	GK.IS1.D250
GDLPI7338324	300	12.55	13.33	GK.IS1.D300

Gasket Material Codes

Material Type	Ordering Code
EPDM Blue	EU
EPDM Black	EK
Silicone White	SW
Silicone Translucent	ST
FKM Green	VG
FKM Black	VB
PTFE Solid	PS
PTFE Envelope (Viton®)	PE
PTFE Envelope (EPDM)	PZ
Nitrile	NT

Ordering Code Example

ISO 50 Gasket	Material
GPLPI7077060	EPDM Blue
Order code = GPLPI7077060EU	

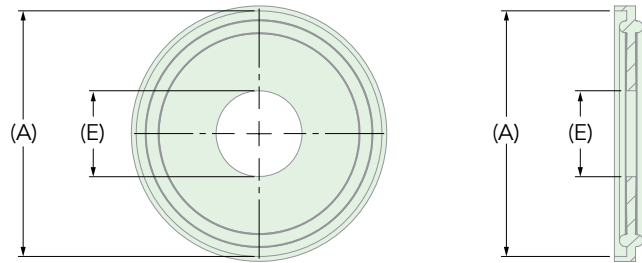
Gaskets

ACL® ISO 1127 Gaskets

Variations



Gasket configurations for all flange sizes except 0.98"



ISO 1127 Gaskets – Variations

Part Number	Nominal Size	Dimension (Inches)		Legacy Part Number
	ISO	ID (E)	Flange (A)	
GDLPI8034013	8	0.41	1.34	GK.IS1X.D008.A
GDLPI8050013	8	0.41	1.99	GK.IS1X.D008.B
GDLPI8034017	10	0.55	1.34	GK.IS1X.D010.A
GDLPI8050017	10	0.55	1.99	GK.IS1X.D010.B
GDLPI8034021	15	0.71	1.34	GK.IS1X.D015.A
GDLPI8050026	20	0.93	1.99	GK.IS1X.D020.B
GDLPI8050033	25	1.20	1.99	GK.IS1X.D025.A
GDLPI8050034	25	1.23	1.99	GK.IS1X.D025.B
GDLPI8091076	65	2.87	3.58	GK.IS1X.D065.A

Gasket Material Codes

Material Type	Ordering Code
EPDM Blue	EU
EPDM Black	EK
Silicone White	SW
Silicone Translucent	ST
FKM Green	VG
FKM Black	VB
PTFE Solid	PS
PTFE Envelope (Viton®)	PE
PTFE Envelope (EPDM)	PZ
Nitrile	NT

Ordering Code Example

ISO 20 Gasket	Material
GDLPI8050026	EPDM Blue
Order code = GDLPI8050026EU	

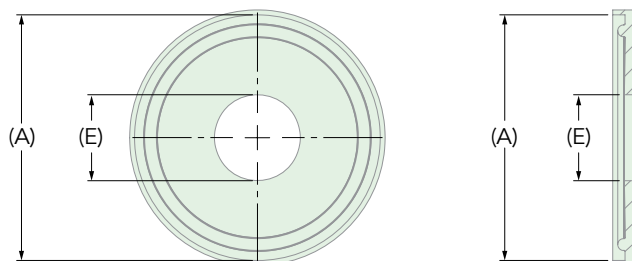
Gaskets

ACL® ISO 2037 Gaskets

Series 1 & 2



Gasket configurations for all flange sizes except 0.98"



ISO 2037 Series 1 Gaskets

Part Number	Nominal Size	Dimension (Inches)		Legacy Part Number
	Metric	ID (E)	Flange (A)	
GDLPI2050195	20	0.69	1.99	GK.IS21.M020
GDLPI2050025	25	0.89	1.99	GK.IS21.M025
GDLPI2050038	38	1.40	1.99	GK.IS21.M038
GDLPI2050041	40	1.48	1.99	GK.IS21.M040
GDLPI2064051	51	1.91	2.52	GK.IS21.M051

ISO 2037 Series 2 Gaskets

Part Number	Nominal Size	Dimension (Inches)		Legacy Part Number
	ISO	ID (E)	Flange (A)	
GDLPI3050025	25	0.86	1.99	GK.IS22.M025
GDLPI3050038	38	1.37	1.99	GK.IS22.M038
GDLPI3050041	40	1.45	1.99	GK.IS22.M040
GDLPI3064051	51	1.88	2.52	GK.IS22.M051
GDLPI3077063	63.5	2.37	3.05	GK.IS22.M063
GDLPI3091070	70	2.63	3.58	GK.IS22.M070
GDLPI3119101	101.6	3.84	4.69	GK.IS22.M101

Gasket Material Codes

Material Type	Ordering Code
EPDM Blue	EU
EPDM Black	EK
Silicone White	SW
Silicone Translucent	ST
FKM Green	VG
FKM Black	VB
PTFE Solid	PS
PTFE Envelope (Viton®)	PE
PTFE Envelope (EPDM)	PZ
Nitrile	NT

Ordering Code Example

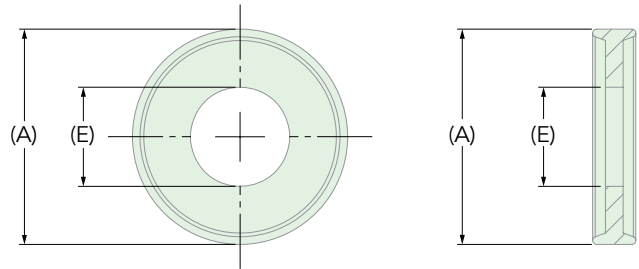
ISO 40 Gasket	Material
GDLPI3050041	EPDM Blue
Order code = GDLPI3050041EU	

Gaskets

ACL® Mini Series Gaskets Metric & Imperial



Gasket configurations for all 0.98" flange sizes



Mini Series Gaskets – Metric

Part Number	Nominal Size	Dimension (Inches)			Legacy Part Number
	Metric	Actual ID (V)	ID (E)	Flange (A)	
GDULM2025006	4	0.25	0.16	0.87	GK.MS.04
GDULM2025008	6	0.29	0.24	0.87	GK.MS.06
GDULM2025010	8	0.38	0.31	0.87	GK.MS.08
GDULM2025012	10	0.45	0.39	0.87	GK.MS.10
GDULM2025014	12	0.53	0.47	0.87	GK.MS.12
GDULM2025016	14	0.61	0.63	0.87	GK.MS.14
GDULM2025018	16	0.65	0.63	0.87	GK.MS.16

Mini Series Gaskets – Imperial

Part Number	Nominal Size	Dimension (Inches)			Legacy Part Number
	Imperial	Actual ID (V)	ID (E)	Flange (A)	
GDULM2025635	1/4"	0.25	0.18	0.87	GK.MSI.025
GDULM2025952	3/8"	0.38	0.30	0.87	GK.MSI.038
GDULM2025127	1/2"	0.44	0.37	0.87	GK.MSI.050
GDULM2025195	3/4"	0.65	0.62	0.87	GK.MSI.075

Gasket Material Codes

Material Type	Ordering Code
EPDM Blue	EU
EPDM Black	EK
Silicone White	SW
Silicone Translucent	ST
FKM Green	VG
FKM Black	VB
PTFE Solid	PS
PTFE Envelope (Viton®)	PE
PTFE Envelope (EPDM)	PZ
Nitrile	NT

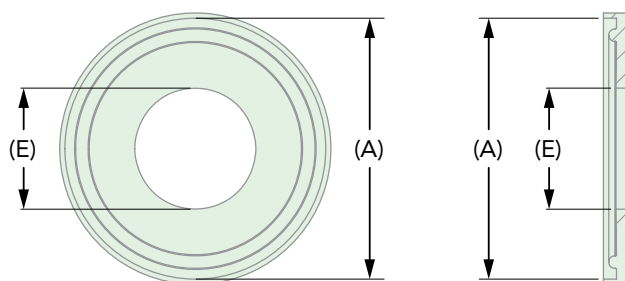
Ordering Code Example

Metric 10 Gasket	Material
GDULM2025012	EPDM Blue
Order code = GDULM2025012EU	

Gaskets

ACL® Metal Detectable Gaskets

EPDM Blue / EPDM Black



BS 4825 Part 3 Metal Detectable Gaskets Range - EPDM Blue

Part Number	Nominal Size	Dimension (Inches)		Legacy Part Number
	Imperial	ID (E)	Flange (A)	
GDLPB4050025UX	1"	0.87	1.99	GK.BSM.0100
GDLPB4050038UX	1-1/2"	1.37	1.99	GK.BSM.0150
GDLPB4064051UX	2"	1.87	2.52	GK.BSM.0200
GDLPB4077063UX	2-1/2"	2.37	3.05	GK.BSM.0250
GDLPB4091076UX	3"	2.87	3.58	GK.BSM.0300
GDLPB4119101UX	4"	3.84	4.69	GK.BSM.0400

BS 4825 Part 3 Metal Detectable Gaskets Range - EPDM Black

Part Number	Nominal Size	Dimension (Inches)		Legacy Part Number
	Imperial	ID (E)	Flange (A)	
GDLPB4050025EX	1"	0.87	1.99	GK.BSM.0100
GDLPB4050038EX	1-1/2"	1.37	1.99	GK.BSM.0150
GDLPB4064051EX	2"	1.87	2.52	GK.BSM.0200
GDLPB4077063EX	2-1/2"	2.37	3.05	GK.BSM.0250
GDLPB4091076EX	3"	2.87	3.58	GK.BSM.0300
GDLPB4119101EX	4"	3.84	4.69	GK.BSM.0400

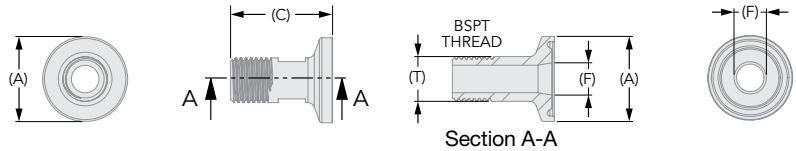
Adaptors

ACL® BSP Male Adaptors Imperial

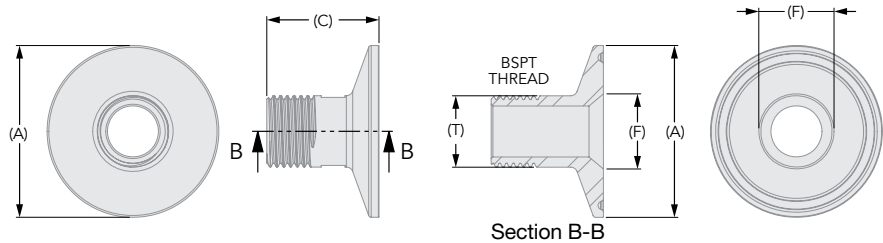
Material
316L / 1.4404



Type A – 0.98” Flange



Type B – 1.98” to 2.51” Flange



BSP Male Adaptors – Imperial

Part Number	Ferrule - BSPM Size		Dimension (inches)			Weight (lbs)	Legacy Part Number
	Nominal Size	Connection (T)	Flange (A)	Mating (F)	Length (C)		
ADDAMB127317006L	1/2"	1/8"	0.98	0.39	1.18	0.07	AMD.050.018
ADDAMB127635006L		1/4"	0.98	0.39	1.18	0.07	AMD.050.025
ADDAMB127952006L		3/8"	0.98	0.39	1.18	0.09	AMD.050.038
ADDAMB127127006L		1/2"	0.98	0.39	1.26	0.13	AMD.050.050
ADDAMB127195006L		3/4"	0.98	0.39	1.38	0.20	AMD.050.075
ADDAMB195317006L	3/4"	1/8"	0.98	0.63	1.18	0.04	AMD.075.018
ADDAMB195635006L		1/4"	0.98	0.63	1.18	0.04	AMD.075.025
ADDAMB195952006L		3/8"	0.98	0.63	1.18	0.09	AMD.075.038
ADDAMB195127006L		1/2"	0.98	0.63	1.26	0.07	AMD.075.050
ADDAMB195195006L		3/4"	0.98	0.63	1.38	0.18	AMD.075.075
ADDAMB025317006L	1"	1/8"	1.99	0.87	1.18	0.20	AMD.100.018
ADDAMB025635006L		1/4"	1.99	0.87	1.18	0.20	AMD.100.025
ADDAMB025952006L		3/8"	1.99	0.87	1.18	0.22	AMD.100.038
ADDAMB025127006L		1/2"	1.99	0.87	1.38	0.22	AMD.100.050
ADDAMB025195006L		3/4"	1.99	0.87	1.38	0.24	AMD.100.075
ADDAMB025025006L	1"	1.99	0.87	1.38	0.42	AMD.100.100	
ADDAMB038317006L	1-1/2"	1/8"	1.99	1.38	1.38	0.15	AMD.150.018
ADDAMB038635006L		1/4"	1.99	1.38	1.38	0.15	AMD.150.025
ADDAMB038952006L		3/8"	1.99	1.38	1.38	0.15	AMD.150.038
ADDAMB038127006L		1/2"	1.99	1.38	1.38	0.20	AMD.150.050
ADDAMB038195006L		3/4"	1.99	1.38	1.38	0.22	AMD.150.075
ADDAMB038025006L	1"	1.99	1.38	1.38	0.26	AMD.150.100	
ADDAMB051127006L	2"	1/2"	2.52	1.87	1.57	0.35	AMD.200.050
ADDAMB051195006L		3/4"	2.52	1.87	1.57	0.37	AMD.200.075
ADDAMB051025006L		1"	2.52	1.87	1.57	0.40	AMD.200.100
ADDAMB051038006L		1-1/2"	2.52	1.87	1.57	0.42	AMD.200.150
ADDAMB051051006L		2"	2.52	1.87	1.57	0.44	AMD.200.200

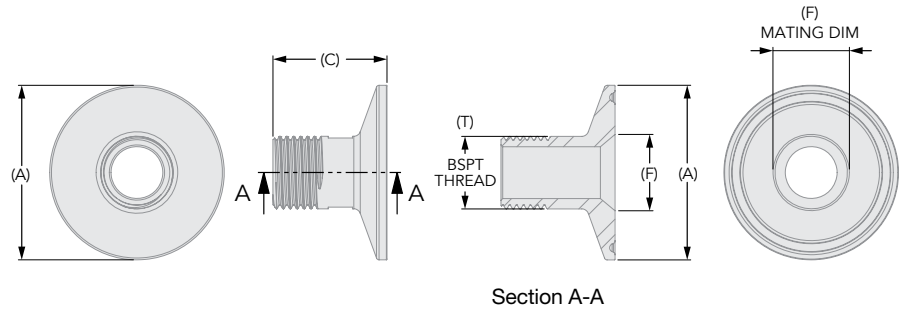
Adaptors

ACL® BSP Male Adaptors Metric

Material
316L / 1.4404



Type B – 1.33" Flange



BSP Male Adaptors – Metric

Part Number	Ferrule - BSPM Size		Dimension (inches)			Weight (lbs)	Legacy Part Number
	Nominal Size	Connection (T)	Flange (A)	Mating (F)	Length (C)		
ADDAMB013635006L	DIN 10	1/4"	1.34	0.39	1.18	0.11	AMD.D10.025
ADDAMB013952006L		3/8"	1.34	0.39	1.18	0.13	AMD.D10.038
ADDAMB013127006L		1/2"	1.34	0.39	1.18	0.15	AMD.D10.050
ADDAMB013195006L		3/4"	1.34	0.39	1.18	0.15	AMD.D10.075
ADDAMB019635006L	DIN 15	1/4"	1.34	0.63	1.18	0.11	AMD.D15.025
ADDAMB019127006L		3/8"	1.34	0.63	1.18	0.13	AMD.D15.038
ADDAMB019195006L		1/2"	1.34	0.63	1.18	0.15	AMD.D15.050
ADDAMB023635006L		3/4"	1.34	0.63	1.18	0.18	AMD.D15.075
ADDAMB023952006L	DIN 20	1/4"	1.34	0.79	1.18	0.11	AMD.D20.025
ADDAMB023127006L		3/8"	1.34	0.79	1.18	0.11	AMD.D20.038
ADDAMB023195006L		1/2"	1.34	0.79	1.18	0.13	AMD.D20.050
ADDAMB023025006L		3/4"	1.34	0.79	1.18	0.15	AMD.D20.075

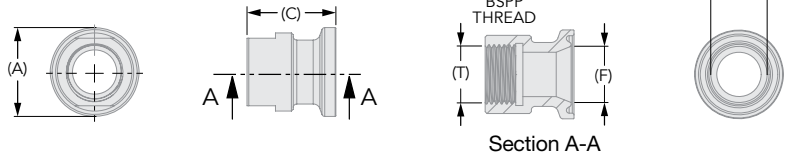
Adaptors

ACL® BSP Female Adaptors Imperial

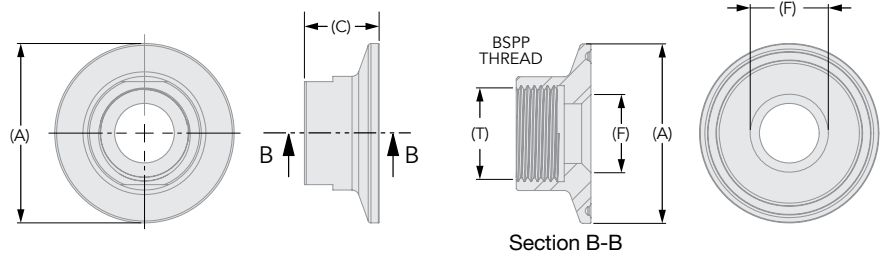
Material
316L / 1.4404



Type A – 0.98 Flange



Type B – 1.98" to 2.51" Flange



BSP Female Adaptors – Imperial

Part Number	Ferrule - BSPF Size		Dimension (inches)			Weight (lbs)	Legacy Part Number
	Nominal Size	Connection (T)	Flange (A)	Mating (F)	Length (C)		
ADDAFB127317006L	1/2"	1/8"	0.98	0.39	0.98	0.11	AFD.050.018
ADDAFB127635006L		1/4"	0.98	0.39	0.98	0.11	AFD.050.025
ADDAFB127952006L		3/8"	0.98	0.39	0.98	0.13	AFD.050.038
ADDAFB127127006L		1/2"	0.98	0.39	1.18	0.13	AFD.050.050
ADDAFB127195006L		3/4"	0.98	0.39	1.18	0.15	AFD.050.075
ADDAFB195317006L	3/4"	1/8"	0.98	0.63	0.98	0.11	AFD.075.018
ADDAFB195635006L		1/4"	0.98	0.63	0.98	0.11	AFD.075.025
ADDAFB195952006L		3/8"	0.98	0.63	0.98	0.13	AFD.075.038
ADDAFB195127006L		1/2"	0.98	0.63	1.18	0.13	AFD.075.050
ADDAFB195195006L		3/4"	0.98	0.63	1.18	0.13	AFD.075.075
ADDAFB025317006L	1"	1/8"	1.99	0.87	0.98	0.31	AFD.100.018
ADDAFB025635006L		1/4"	1.99	0.87	0.98	0.26	AFD.100.025
ADDAFB025952006L		3/8"	1.99	0.87	0.98	0.24	AFD.100.038
ADDAFB025127006L		1/2"	1.99	0.87	0.98	0.24	AFD.100.050
ADDAFB025195006L		3/4"	1.99	0.87	0.98	0.22	AFD.100.075
ADDAFB025025006L	1"	1.99	0.87	0.98	0.24	AFD.100.100	
ADDAFB038317006L	1-1/2"	1/8"	1.99	1.38	0.98	0.24	AFD.150.018
ADDAFB038635006L		1/4"	1.99	1.38	0.98	0.24	AFD.150.025
ADDAFB038952006L		3/8"	1.99	1.38	0.98	0.20	AFD.150.038
ADDAFB038127006L		1/2"	1.99	1.38	0.98	0.20	AFD.150.050
ADDAFB038195006L		3/4"	1.99	1.38	0.98	0.20	AFD.150.075
ADDAFB038025006L	1"	1.99	1.38	0.98	0.22	AFD.150.100	
ADDAFB051127006L	2"	1/2"	2.52	1.87	0.98	0.31	AFD.200.050
ADDAFB051195006L		3/4"	2.52	1.87	0.98	0.31	AFD.200.075
ADDAFB051025006L		1"	2.52	1.87	0.98	0.29	AFD.200.100
ADDAFB051038006L		1-1/2"	2.52	1.87	0.98	0.29	AFD.200.150
ADDAFB051051006L		2"	2.52	1.87	0.98	0.29	AFD.200.200

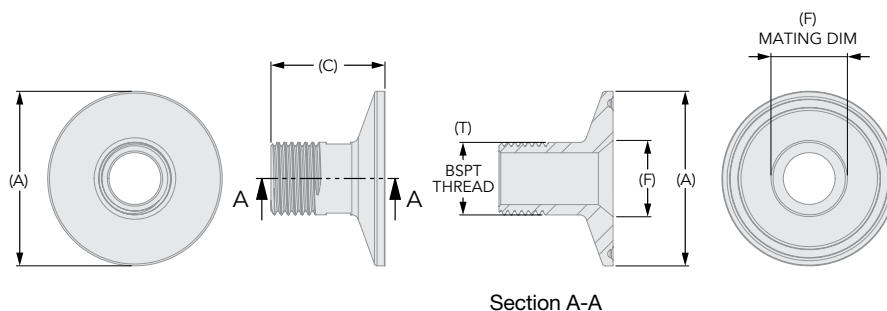
Adaptors

ACL® BSP Female Adaptors Metric

Material
316L / 1.4404



Type B – 1.33" Flange



BSP Female Adaptors – Metric

Part Number	Ferrule - BSPF Size		Dimension (inches)			Weight (lbs)	Legacy Part Number
	Nominal Size	Connection (T)	Flange (A)	Mating (F)	Length (C)		
ADDAFB013635006L	DIN 10	1/4"	1.34	0.39	0.98	0.18	AFD.D10.025
ADDAFB013952006L		3/8"	1.34	0.39	0.98	0.18	AFD.D10.038
ADDAFB013127006L		1/2"	1.34	0.39	1.18	0.15	AFD.D10.050
ADDAFB013195006L		3/4"	1.34	0.39	1.18	0.15	AFD.D10.075
ADDAFB019635006L	DIN 15	1/4"	1.34	0.63	0.98	0.15	AFD.D15.025
ADDAFB019127006L		3/8"	1.34	0.63	0.98	0.15	AFD.D15.038
ADDAFB019195006L		1/2"	1.34	0.63	1.18	0.13	AFD.D15.050
ADDAFB023635006L		3/4"	1.34	0.63	1.18	0.13	AFD.D15.075
ADDAFB023952006L	DIN 20	1/4"	1.34	0.79	0.98	0.15	AFD.D20.025
ADDAFB023127006L		3/8"	1.34	0.79	0.98	0.15	AFD.D20.038
ADDAFB023195006L		1/2"	1.34	0.79	1.18	0.13	AFD.D20.050
ADDAFB023025006L		3/4"	1.34	0.79	1.18	0.13	AFD.D20.075

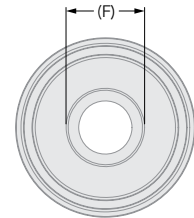
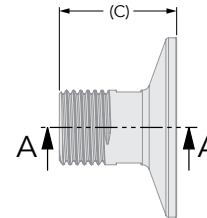
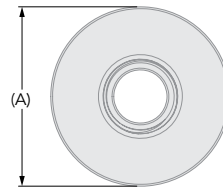
Adaptors

ACL® NPT Male Adaptors Imperial

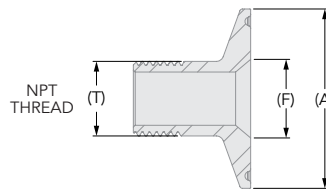
Material
316L / 1.4404



Type A – 0.98" Flange



Type B – 1.98" to
13.30" Flange



Section A-A

NPT Male Adaptors – Imperial

Part Number	Ferrule - NPTM Size		Dimension (inches)			Weight (lbs)	Legacy Part Number
	Nominal Size	Connection (T)	Flange (A)	Mating (F)	Length (C)		
ADDAMN127317006L	1/2"	1/8"	1.00	0.39	1.18	0.07	AMD.NPT.050.018
ADDAMN127635006L		1/4"	1.00	0.39	1.18	0.07	AMD.NPT.050.025
ADDAMN127952006L		3/8"	1.00	0.39	1.18	0.09	AMD.NPT.050.038
ADDAMN127127006L		1/2"	1.00	0.39	1.26	0.13	AMD.NPT.050.050
ADDAMN127195006L		3/4"	1.00	0.39	1.38	0.20	AMD.NPT.050.075
ADDAMN195317006L	3/4"	1/8"	1.00	0.63	1.18	0.04	AMD.NPT.075.018
ADDAMN195635006L		1/4"	1.00	0.63	1.18	0.04	AMD.NPT.075.025
ADDAMN195952006L		3/8"	1.00	0.63	1.18	0.09	AMD.NPT.075.038
ADDAMN195127006L		1/2"	1.00	0.63	1.26	0.07	AMD.NPT.075.050
ADDAMN195195006L		3/4"	1.00	0.63	1.38	0.18	AMD.NPT.075.075
ADDAMN025317006L	1"	1/8"	1.99	0.87	1.18	0.20	AMD.NPT.100.018
ADDAMN025635006L		1/4"	1.99	0.87	1.18	0.20	AMD.NPT.100.025
ADDAMN025952006L		3/8"	1.99	0.87	1.18	0.22	AMD.NPT.100.038
ADDAMN025127006L		1/2"	1.99	0.87	1.38	0.22	AMD.NPT.100.050
ADDAMN025195006L		3/4"	1.99	0.87	1.38	0.24	AMD.NPT.100.075
ADDAMN025025006L	1"	1.99	0.87	1.38	0.42	AMD.NPT.100.100	
ADDAMN038317006L	1-1/2"	1/8"	1.99	1.38	1.38	0.15	AMD.NPT.150.018
ADDAMN038635006L		1/4"	1.99	1.38	1.38	0.15	AMD.NPT.150.025
ADDAMN038952006L		3/8"	1.99	1.38	1.38	0.15	AMD.NPT.150.038
ADDAMN038127006L		1/2"	1.99	1.38	1.38	0.20	AMD.NPT.150.050
ADDAMN038195006L		3/4"	1.99	1.38	1.38	0.22	AMD.NPT.150.075
ADDAMN038025006L	1"	1.99	1.38	1.38	0.26	AMD.NPT.150.100	
ADDAMN051127006L	2"	1/2"	2.52	1.87	1.57	0.35	AMD.NPT.200.050
ADDAMN051195006L		3/4"	2.52	1.87	1.57	0.37	AMD.NPT.200.075
ADDAMN051025006L		1"	2.52	1.87	1.57	0.40	AMD.NPT.200.100
ADDAMN051038006L		1-1/2"	2.52	1.87	1.57	0.42	AMD.NPT.200.150
ADDAMN051051006L		2"	2.52	1.87	1.57	0.44	AMD.NPT.200.200

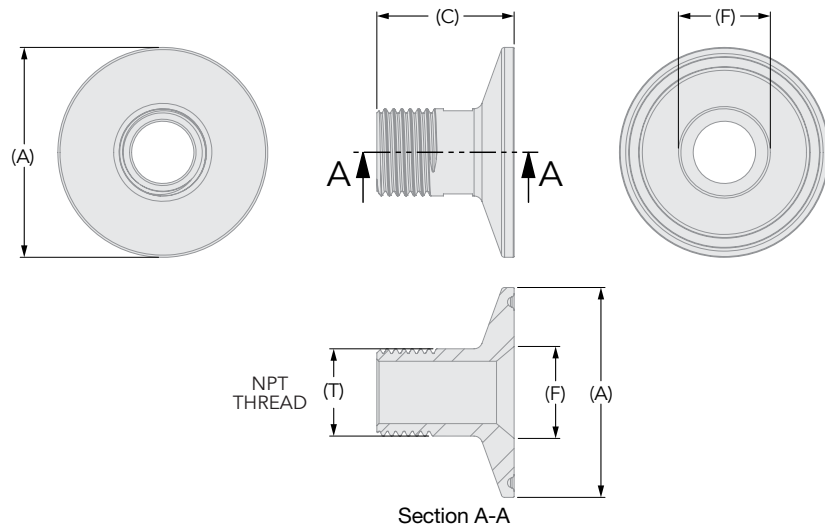
Adaptors

ACL® NPT Male Adaptors Metric

Material
316L / 1.4404



Type B – 1.33" Flange



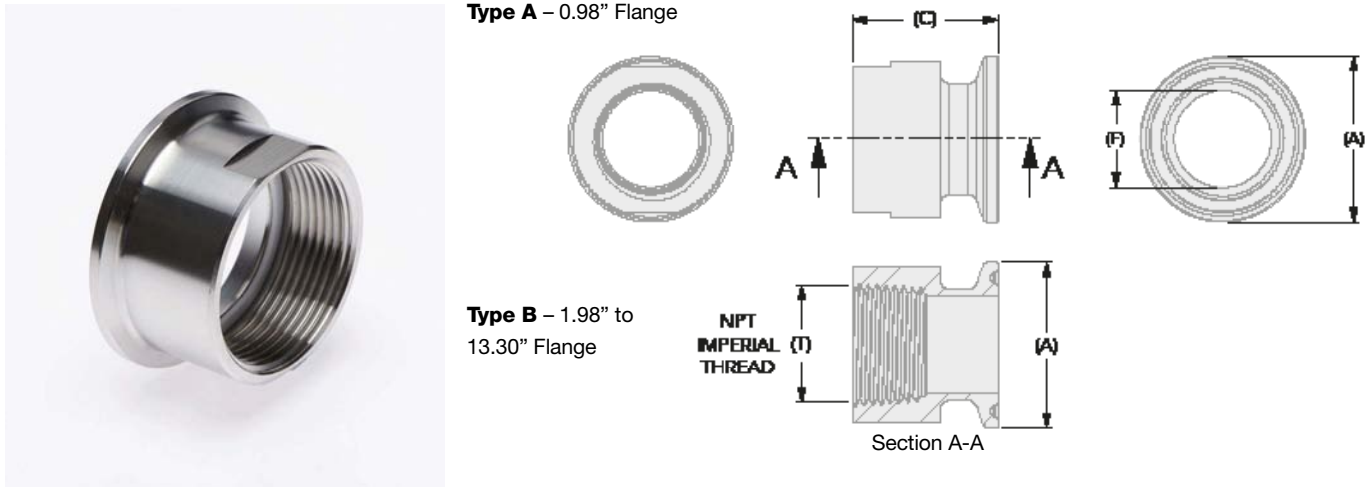
NPT Male Adaptors – Metric

Part Number	Ferrule - NPTM Size		Dimension (inches)			Weight (lbs)	Legacy Part Number
	Nominal Size	Connection (T)	Flange (A)	Mating (F)	Length (C)		
ADDAMN013635006L	DIN 10	1/4"	1.34	0.39	1.18	0.11	AMD.NPT.D10.025
ADDAMN013952006L		3/8"	1.34	0.39	1.18	0.13	AMD.NPT.D10.038
ADDAMN013127006L		1/2"	1.34	0.39	1.18	0.15	AMD.NPT.D10.050
ADDAMN013195006L		3/4"	1.34	0.39	1.18	0.18	AMD.NPT.D10.075
ADDAMN019635006L	DIN 15	1/4"	1.34	0.63	1.18	0.11	AMD.NPT.D15.025
ADDAMN019127006L		3/8"	1.34	0.63	1.18	0.13	AMD.NPT.D15.038
ADDAMN019195006L		1/2"	1.34	0.63	1.18	0.15	AMD.NPT.D15.050
ADDAMN023635006L		3/4"	1.34	0.63	1.18	0.18	AMD.NPT.D15.075
ADDAMN023952006L	DIN 20	1/4"	1.34	0.79	1.18	0.11	AMD.NPT.D20.025
ADDAMN023127006L		3/8"	1.34	0.79	1.18	0.11	AMD.NPT.D20.038
ADDAMN023195006L		1/2"	1.34	0.79	1.18	0.13	AMD.NPT.D20.050
ADDAMN023025006L		3/4"	1.34	0.79	1.18	0.15	AMD.NPT.D20.075

Adaptors

ACL® NPT Female Adaptors Imperial

Material
316L / 1.4404



NPT Female Adaptors - Imperial

Part Number	Ferrule - NPTF Size		Dimension (inches)			Weight (lbs)	Legacy Part Number
	Nominal Size	Connection (T)	Flange (A)	Mating (F)	Length (C)		
ADDAFN127317006L	1/2"	1/8"	0.98	0.39	0.98	0.11	AFD.NPT.050.018
ADDAFN127635006L		1/4"	0.98	0.39	0.98	0.11	AFD.NPT.050.025
ADDAFN127952006L		3/8"	0.98	0.39	0.98	0.13	AFD.NPT.050.038
ADDAFN127127006L		1/2"	0.98	0.39	1.18	0.13	AFD.NPT.050.050
ADDAFN127195006L		3/4"	0.98	0.39	1.18	0.15	AFD.NPT.050.075
ADDAFN195317006L	3/4"	1/8"	0.98	0.63	0.98	0.11	AFD.NPT.075.018
ADDAFN195635006L		1/4"	0.98	0.63	0.98	0.11	AFD.NPT.075.025
ADDAFN195952006L		3/8"	0.98	0.63	0.98	0.13	AFD.NPT.075.038
ADDAFN195127006L		1/2"	0.98	0.63	1.18	0.13	AFD.NPT.075.050
ADDAFN195195006L		3/4"	0.98	0.63	1.18	0.13	AFD.NPT.075.075
ADDAFN025317006L	1"	1/8"	1.99	0.87	0.98	0.31	AFD.NPT.100.018
ADDAFN025635006L		1/4"	1.99	0.87	0.98	0.26	AFD.NPT.100.025
ADDAFN025952006L		3/8"	1.99	0.87	0.98	0.24	AFD.NPT.100.038
ADDAFN025127006L		1/2"	1.99	0.87	0.98	0.24	AFD.NPT.100.050
ADDAFN025195006L		3/4"	1.99	0.87	0.98	0.22	AFD.NPT.100.075
ADDAFN025025006L	1"	1.99	0.87	0.98	0.24	AFD.NPT.100.100	
ADDAFN038317006L	1-1/2"	1/8"	1.99	1.38	0.98	0.24	AFD.NPT.150.018
ADDAFN038635006L		1/4"	1.99	1.38	0.98	0.24	AFD.NPT.150.025
ADDAFN038952006L		3/8"	1.99	1.38	0.98	0.20	AFD.NPT.150.038
ADDAFN038127006L		1/2"	1.99	1.38	0.98	0.20	AFD.NPT.150.050
ADDAFN038195006L		3/4"	1.99	1.38	0.98	0.20	AFD.NPT.150.075
ADDAFN038025006L	1"	1.99	1.38	0.98	0.22	AFD.NPT.150.100	
ADDAFN051127006L	2"	1/2"	2.52	1.87	0.98	0.31	AFD.NPT.200.050
ADDAFN051195006L		3/4"	2.52	1.87	0.98	0.31	AFD.NPT.200.075
ADDAFN051025006L		1"	2.52	1.87	0.98	0.29	AFD.NPT.200.100
ADDAFN051038006L		1-1/2"	2.52	1.87	0.98	0.29	AFD.NPT.200.150
ADDAFN051051006L		2"	2.52	1.87	0.98	0.29	AFD.NPT.200.200

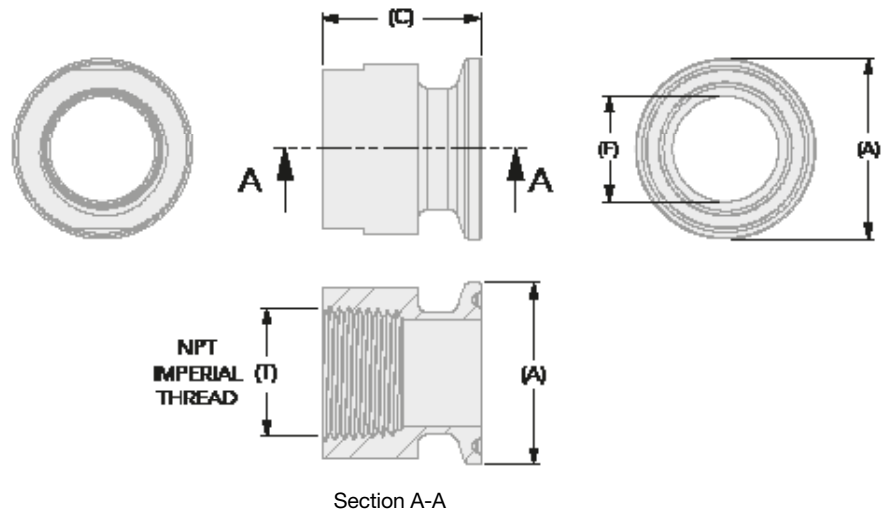
Adaptors

ACL® NPT Female Adaptors Metric

Material
316L / 1.4404



Type B – 1.33" Flange



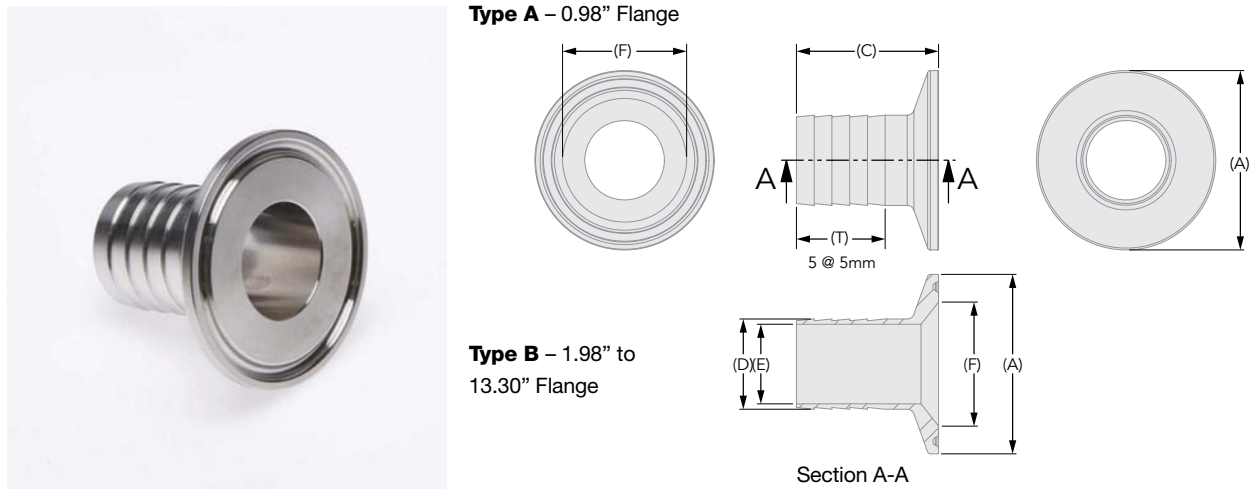
NPT Female Adaptors – Metric

Part Number	Ferrule - NPTF Size		Dimension (inches)			Weight (lbs)	Legacy Part Number
	Nominal Size	Connection (T)	Flange (A)	Mating (F)	Length (C)		
ADDAFN013635006L	DIN 10	1/4"	1.34	0.39	0.98	0.18	AFD.NPT.D10.025
ADDAFN013952006L		3/8"	1.34	0.39	0.98	0.18	AFD.NPT.D10.038
ADDAFN013127006L		1/2"	1.34	0.39	1.18	0.15	AFD.NPT.D10.050
ADDAFN013195006L		3/4"	1.34	0.39	1.18	0.15	AFD.NPT.D10.075
ADDAFN019635006L	DIN 15	1/4"	1.34	0.63	0.98	0.15	AFD.NPT.D15.025
ADDAFN019127006L		3/8"	1.34	0.63	0.98	0.15	AFD.NPT.D15.038
ADDAFN019195006L		1/2"	1.34	0.63	1.18	0.13	AFD.NPT.D15.050
ADDAFN023635006L		3/4"	1.34	0.63	1.18	0.13	AFD.NPT.D15.075
ADDAFN023952006L	DIN 20	1/4"	1.34	0.79	0.98	0.15	AFD.NPT.D20.025
ADDAFN023127006L		3/8"	1.34	0.79	0.98	0.15	AFD.NPT.D20.038
ADDAFN023195006L		1/2"	1.34	0.79	1.18	0.13	AFD.NPT.D20.050
ADDAFN023025006L		3/4"	1.34	0.79	1.18	0.13	AFD.NPT.D20.075

Hosetails

ACL® Hosetails Imperial

Material
316L / 1.4404



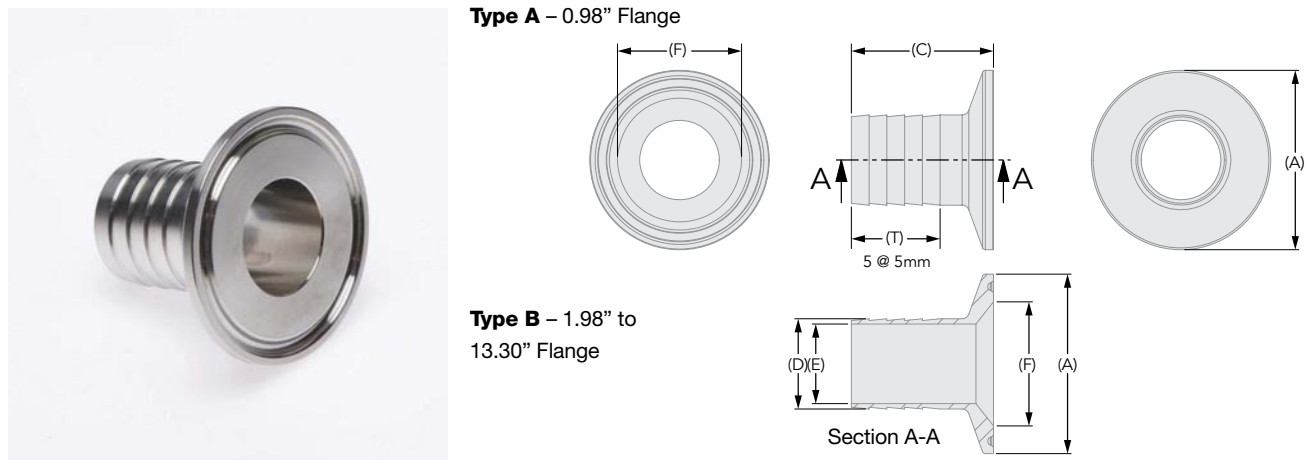
Hosetails - Imperial

Part Number	Ferrule - Hosetail		Dimension (inches)					Weight (lbs)	Legacy Part Number
	Nominal Size	Connection (T)	Shank OD (D)	Shank ID (E)	Flange (A)	Mating (F)	Length (C)		
ADADHI1276350326L	1/2"	1/4"	0.25	0.13	0.98	0.39	1.26	0.04	HTD.050.025
ADADHI1279520326L		3/8"	0.37	0.26	0.98	0.39	1.26	0.04	HTD.050.038
ADADHI1271270326L		1/2"	0.50	0.38	0.98	0.39	1.26	0.04	HTD.050.050
ADADHI1271950326L		3/4"	0.75	0.63	0.98	0.39	1.26	0.04	HTD.050.075
ADADHI1956350326L	3/4"	1/4"	0.25	0.13	0.98	0.63	1.26	0.04	HTD.075.025
ADADHI1959520326L		3/8"	0.37	0.26	0.98	0.63	1.26	0.04	HTD.075.038
ADADHI1951270326L		1/2"	0.50	0.38	0.98	0.63	1.26	0.04	HTD.075.050
ADADHI1951950326L		3/4"	0.75	0.63	0.98	0.63	1.26	0.04	HTD.075.075
ADADHI0256350406L	1"	1/4"	0.25	0.13	1.99	0.89	1.57	0.18	HTD.100.025
ADADHI0259520406L		3/8"	0.37	0.26	1.99	0.89	1.57	0.18	HTD.100.038
ADADHI0251270406L		1/2"	0.50	0.38	1.99	0.89	1.57	0.18	HTD.100.050
ADADHI0251950406L		3/4"	0.75	0.63	1.99	0.89	1.57	0.20	HTD.100.075
ADADHI0250250406L		1"	1.02	0.91	1.99	0.89	1.57	0.20	HTD.100.100
ADADHI0386350406L	1-1/2"	1/4"	0.25	0.13	1.99	1.38	1.57	0.15	HTD.150.025
ADADHI0389520406L		3/8"	0.37	0.26	1.99	1.38	1.57	0.15	HTD.150.038
ADADHI0381270406L		1/2"	0.50	0.38	1.99	1.38	1.57	0.15	HTD.150.050
ADADHI0381950406L		3/4"	0.75	0.63	1.99	1.38	1.57	0.15	HTD.150.075
ADADHI0380250406L		1"	1.02	0.91	1.99	1.38	1.57	0.18	HTD.150.100
ADADHI0380380406L		1-1/2"	1.50	1.38	1.99	1.38	1.57	0.18	HTD.150.150
ADADHI0511270606L	2"	1/2"	0.50	0.38	2.52	1.89	2.36	0.26	HTD.200.050
ADADHI0511950606L		3/4"	0.75	0.63	2.52	1.89	2.36	0.26	HTD.200.075
ADADHI0510250606L		1"	1.02	0.91	2.52	1.89	2.36	0.26	HTD.200.100
ADADHI0510380606L		1-1/2"	1.50	1.38	2.52	1.89	2.36	0.31	HTD.200.150
ADADHI0510510606L		2"	2.00	1.85	2.52	1.89	2.36	0.37	HTD.200.200

Hosetails

ACL® Hosetails Metric

Material
316L / 1.4404



Hosetails – Metric

Part Number	Ferrule – Hosetail		Dimension (inches)					Weight (lbs)	Legacy Part Number
	Nominal Size	Connection (T)	Shank OD (D)	Shank ID (E)	Flange (A)	Mating (F)	Length (C)		
ADADHM0136350406L	DIN 10	1/4"	0.25	0.13	1.34	0.39	1.57	0.09	HTD.D10.025
ADADHM0139520406L		3/8"	0.37	0.26	1.34	0.39	1.57	0.09	HTD.D10.038
ADADHM0131270406L		1/2"	0.50	0.38	1.34	0.39	1.57	0.09	HTD.D10.050
ADADHM0131950406L		3/4"	0.75	0.63	1.34	0.39	1.57	0.09	HTD.D10.075
ADADHM0196350406L	DIN 15	1/4"	0.25	0.13	1.34	0.63	1.57	0.09	HTD.D15.025
ADADHM0199520406L		3/8"	0.37	0.26	1.34	0.63	1.57	0.09	HTD.D15.038
ADADHM0191270406L		1/2"	0.50	0.38	1.34	0.63	1.57	0.09	HTD.D15.050
ADADHM0191950406L		3/4"	0.75	0.63	1.34	0.63	1.57	0.09	HTD.D15.075
ADADHM0296350406L	DIN 20	1/4"	0.25	0.13	1.34	0.79	1.57	0.09	HTD.D20.025
ADADHM0299520406L		3/8"	0.37	0.26	1.34	0.79	1.57	0.09	HTD.D20.038
ADADHM0291270406L		1/2"	0.50	0.38	1.34	0.79	1.57	0.09	HTD.D20.050
ADADHM0291950406L		3/4"	0.75	0.63	1.34	0.79	1.57	0.09	HTD.D20.075
ADADHM1270080326L	1/2"	8 x 5	0.31	0.20	0.98	0.39	1.26	0.04	HTD.050.008
ADADHM1270140406L		14 x 11	0.55	0.43	0.98	0.39	1.57	0.04	HTD.050.014
ADADHM1270160406L		16 x 13	0.63	0.51	0.98	0.39	1.57	0.04	HTD.050.016
ADADHM1950080326L	3/4"	8 x 5	0.31	0.20	0.98	0.63	1.26	0.04	HTD.075.008
ADADHM1950140406L		14 x 11	0.55	0.43	0.98	0.63	1.57	0.04	HTD.075.014
ADADHM1950160406L		16 x 13	0.63	0.51	0.98	0.63	1.57	0.04	HTD.075.016
ADADHM0250080326L	1"	8 x 5	0.31	0.20	1.99	0.89	1.57	0.04	HTD.100.008
ADADHM0250140406L		14 x 11	0.55	0.43	1.99	0.89	1.57	0.18	HTD.100.014
ADADHM0250160406L		16 x 13	0.63	0.51	1.99	0.89	1.57	0.18	HTD.100.016
ADADHM0250220406L		22 x 19	0.87	0.75	1.99	0.89	1.57	0.20	HTD.100.022
ADADHM0380080326L	1-1/2"	8 x 5	8.00	5.00	50.50	35.00	40.00	0.07	HTD.150.008
ADADHM0380140406L		14 x 11	14.00	11.00	50.50	35.00	40.00	0.08	HTD.150.014
ADADHM0380160406L		16 x 13	16.00	13.00	50.50	35.00	40.00	0.08	HTD.150.016
ADADHM0380220406L		22 x 19	22.00	19.00	50.50	35.00	40.00	0.09	HTD.150.022

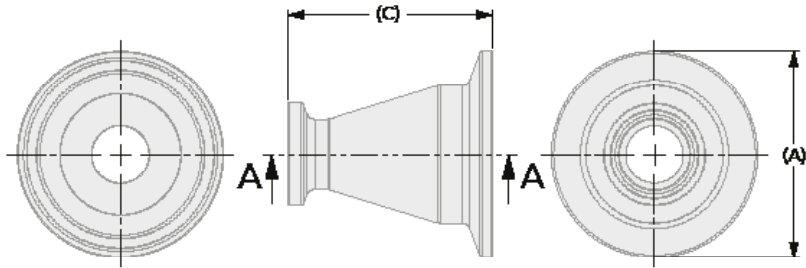
Reducers

ACL® Concentric Reducers Ferrule-ended

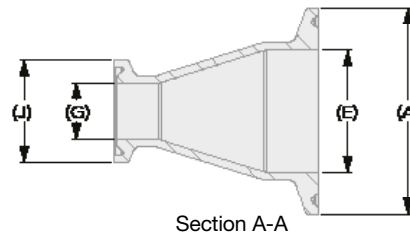
Material
316L / 1.4404



Type A – 0.98" Flange



Type B – 1.98" to
13.30" Flange



Concentric Reducers – Ferrule-ended

Part Number	Ferrule – Ferrule		Dimension (inches)					Weight (lbs)	Legacy Part Number
	Nominal Size	Nominal Size 2	Flange 1 (A)	ID 1 (E)	Flange 2 (J)	ID 2 (G)	Length (C)		
DFRCB4195127040SD6L	3/4"	1/2"	0.98	0.63	0.98	0.37	1.57	0.15	CRD.075.050
DFRCB4025127050SD6L	1"	1/2"	1.99	0.87	0.98	0.37	1.97	0.26	CRD.100.050
DFRCB4025195050SD6L		3/4"	1.99	0.87	0.98	0.62	1.97	0.24	CRD.100.075
DFRCB4038127050SD6L	1-1/2"	1/2"	1.99	1.37	0.98	0.37	1.97	0.40	CRD.150.050
DFRCB4038195050SD6L		3/4"	1.99	1.37	0.98	0.62	1.97	0.20	CRD.150.075
DFRCB4038025050SD6L		1"	1.99	1.37	1.99	0.87	1.97	0.33	CRD.150.100
DFRCB4051127050SD6L	2"	1/2"	2.52	1.87	0.98	0.37	1.97	0.44	CRD.200.050
DFRCB4051195050SD6L		3/4"	2.52	1.87	0.98	0.62	1.97	0.44	CRD.200.075
DFRCB4051025050SD6L		1"	2.52	1.87	1.99	0.87	1.97	0.44	CRD.200.100
DFRCB4051038050SD6L		1-1/2"	2.52	1.87	1.99	1.37	1.97	0.40	CRD.200.150
DFRCB4063127060SD6L	2-1/2"	1/2"	3.05	2.37	0.98	0.37	2.36	0.55	CRD.250.050
DFRCB4063195060SD6L		3/4"	3.05	2.37	0.98	0.62	2.36	0.55	CRD.250.075
DFRCB4063025060SD6L		1"	3.05	2.37	1.99	0.87	2.36	0.60	CRD.250.100
DFRCB4063038060SD6L		1-1/2"	3.05	2.37	1.99	1.37	2.36	0.55	CRD.250.150
DFRCB4063051060SD6L		2"	3.05	2.37	2.52	1.87	2.36	0.51	CRD.250.200
DFRCB4076127060SD6L	3"	1/2"	3.58	2.87	0.98	0.37	2.36	0.64	CRD.300.050
DFRCB4076195060SD6L		3/4"	3.58	2.87	0.98	0.62	2.36	0.64	CRD.300.075
DFRCB4076025060SD6L		1"	3.58	2.87	1.99	0.87	2.36	0.68	CRD.300.100
DFRCB4076038060SD6L		1-1/2"	3.58	2.87	1.99	1.37	2.36	0.64	CRD.300.150
DFRCB4076051060SD6L		2"	3.58	2.87	2.52	1.87	2.36	0.64	CRD.300.200
DFRCB4076063060SD6L		2-1/2"	3.58	2.87	3.05	2.37	2.36	0.64	CRD.300.250

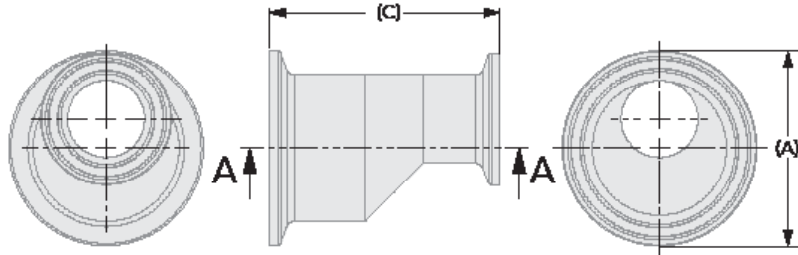
Reducers

ACL® BPE Eccentric Reducers Ferrule-ended

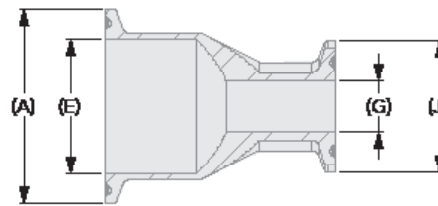
Material
316L / 1.4404



Type A – 0.98" Flange



Type B – 1.98" to
13.30" Flange



Section A-A

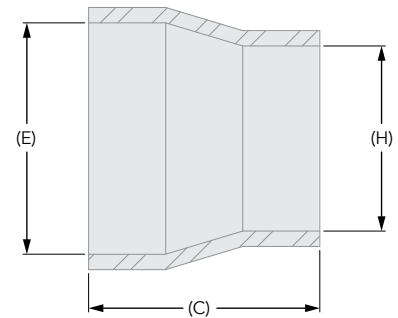
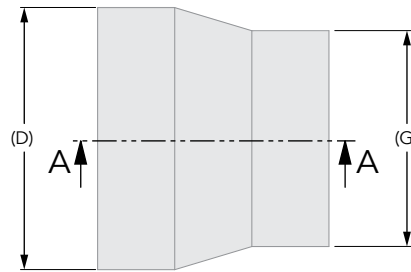
Eccentric Reducers – Ferrule-ended

Part Number	Ferrule – Ferrule		Dimension (inches)					Weight (lbs)	Legacy Part Number
	Nominal Size	Nominal Size 2	Flange 1 (A)	ID 1 (E)	Flange 2 (J)	ID 2 (G)	Length (C)		
DFREA1195127040SD6L	3/4"	1/2"	1.00	0.63	1.00	0.37	2.00	0.15	ERD.075.050
DFREA1025127050SD6L	1"	1/2"	1.99	0.87	1.00	0.37	2.50	0.26	ERD.100.050
DFREA1025195050SD6L		3/4"	1.99	0.87	1.00	0.62	2.00	0.24	ERD.100.075
DFREA1038127050SD6L	1-1/2"	1/2"	1.99	1.37	1.00	0.37	3.50	0.40	ERD.150.050
DFREA1038195050SD6L		3/4"	1.99	1.37	1.00	0.62	3.00	0.20	ERD.150.075
DFREA1038025050SD6L		1"	1.99	1.37	1.99	0.87	3.00	0.33	ERD.150.100
DFREA1051127050SD6L	2"	1/2"	2.52	1.87	1.00	0.37	5.50	0.44	ERD.200.050
DFREA1051195050SD6L		3/4"	2.52	1.87	1.00	0.62	5.00	0.44	ERD.200.075
DFREA1051025050SD6L		1"	2.52	1.87	1.99	0.87	5.00	0.44	ERD.200.100
DFREA1051038050SD6L		1-1/2"	2.52	1.87	1.99	1.37	3.00	0.40	ERD.200.150
DFREA1063127060SD6L	2-1/2"	1/2"	3.05	2.37	1.00	0.37	7.50	0.55	ERD.250.050
DFREA1063195060SD6L		3/4"	3.05	2.37	1.00	0.62	7.00	0.55	ERD.250.075
DFREA1063025060SD6L		1"	3.05	2.37	1.99	0.87	7.00	0.60	ERD.250.100
DFREA1063038060SD6L		1-1/2"	3.05	2.37	1.99	1.37	5.00	0.55	ERD.250.150
DFREA1063051060SD6L		2"	3.05	2.37	2.52	1.87	3.00	0.51	ERD.250.200
DFREA1076025060SD6L	3"	1"	3.58	2.87	1.00	0.37	9.00	0.68	ERD.300.100
DFREA1076038060SD6L		1-1/2"	3.58	2.87	1.00	0.62	7.00	0.64	ERD.300.150
DFREA1076051060SD6L		2"	3.58	2.87	1.99	0.87	5.00	0.64	ERD.300.200
DFREA1076063060SD6L		2-1/2"	3.58	2.87	1.99	1.37	3.00	0.64	ERD.300.250

Reducers

ACL® Pipe to Tube Reducers Schedules 10 and 40

Material
316L / 1.4404



Section A-A

Pipe to Tube Reducers – Schedule 10

Part Number	Pipe to Tube Size		Dimension (inches)				Length (C)	Weight (lbs)	Legacy Part Number
	Schedule 10	BS4825	OD 1 (D)	ID 1 (E)	OD 2 (G)	ID 2 (H)			
DWPRB2021127030SD6L	1/2"	1/2"	0.84	0.67	0.50	0.37	1.18	0.15	PTRD.S10.050
DWPRB2026195030SD6L	3/4"	1/2"	1.05	0.88	0.77	0.62	1.18	0.26	PTRD.S10.075
DWPRB2033025030SD6L	1"	3/4"	1.31	1.10	1.01	0.87	1.18	0.24	PTRD.S10.100
DWPRB2048038030SD6L	1-1/2"	1/2"	1.90	1.88	1.51	1.37	1.18	0.40	PTRD.S10.150
DWPRB2060051030SD6L	2"	3/4"	2.38	2.16	2.01	1.87	1.18	1.98	PTRD.S10.200
DWPRB2073063030SD6L	2-1/2"	1"	2.88	2.64	2.51	2.37	1.18	0.33	PTRD.S10.250
DWPRB2089076030SD6L	3"	1/2"	3.50	3.26	3.01	2.87	1.18	0.44	PTRD.S10.300
DWPRB2101089030SD6L	3-1/2"	3/4"	4.00	3.76	3.50	3.33	1.18	0.44	PTRD.S10.350
DWPRB2114101030SD6L	4"	1"	4.50	4.26	4.01	3.84	1.18	0.44	PTRD.S10.400
DWPRB2168154030SD6L	6"	1-1/2"	6.63	6.36	6.06	5.91	1.18	0.40	PTRD.S10.600

Pipe to Tube Reducers – Schedule 40

Part Number	Pipe to Tube Size		Dimension (inches)				Length (C)	Weight (lbs)	Legacy Part Number
	Schedule 40	BS4825	OD 1 (D)	ID 1 (E)	OD 2 (G)	ID 2 (H)			
DWPRB3021127030SD6L	1/2"	1/2"	0.84	0.62	0.50	0.37	1.18	0.15	PTRD.S40.050
DWPRB3026195030SD6L	3/4"	1/2"	1.05	0.82	0.77	0.62	1.18	0.26	PTRD.S40.075
DWPRB3033025030SD6L	1"	3/4"	1.31	1.05	1.01	0.87	1.18	0.24	PTRD.S40.100
DWPRB3048038030SD6L	1-1/2"	1/2"	1.90	1.61	1.51	1.37	1.18	0.40	PTRD.S40.150
DWPRB3060051030SD6L	2"	3/4"	2.38	2.07	2.01	1.87	1.18	1.98	PTRD.S40.200
DWPRB3073063030SD6L	2-1/2"	1"	2.88	2.47	2.51	2.37	1.18	0.33	PTRD.S40.250
DWPRB3089076030SD6L	3"	1/2"	3.50	3.07	3.01	2.87	1.18	0.44	PTRD.S40.300
DWPRB3101089030SD6L	3-1/2"	3/4"	4.00	3.55	3.50	3.33	1.18	0.44	PTRD.S40.350
DWPRB3114101030SD6L	4"	1"	4.50	4.03	4.01	3.84	1.18	0.44	PTRD.S40.400
DWPRB3168154030SD6L	6"	1-1/2"	6.63	6.07	6.06	5.91	1.18	0.40	PTRD.S40.600

Tube & Pipe Hangers

New Zero Puddle Inserts

Applications

- Cleanrooms and mechanical areas; not limited to: biotech, pharmaceutical, food processing, beverage, dairy, cosmetic, chemical, water treatment, and semi-conductor industries.
- Low flow & low pressure systems with moderate vibration: WFI, SIP, CIP, process, utility & instrument lines, WFI, SIP, CIP, process, utilities & instrument lines

Sizes

- Support Range: 1/4" - 6" Tube and 1/2" - 6" Pipe for Copper and Conduits including PVC Coated Pipe
- Tight fit Anchors and loose fit Guides are offered

Features

- Reduced OD allows hanger to be encased under the insulation's jacket
- ZERO PUDDLE Silicones inserts raised geometry facilitates drainage of liquids on vertical/riser lines creating maintenance uptime.
- There are no exposed threads or openings

Materials

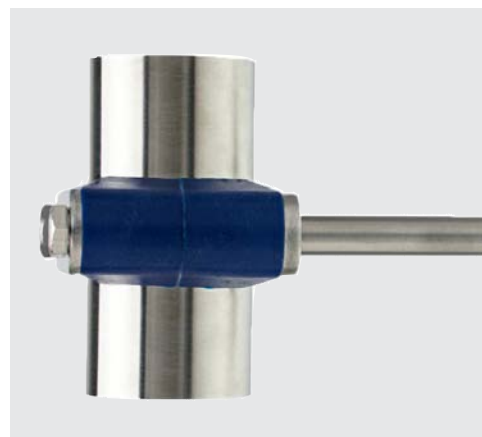
- 304 and 316 stainless steels
- ZERO PUDDLE inserts are FDA grade silicone rubber

Specifications

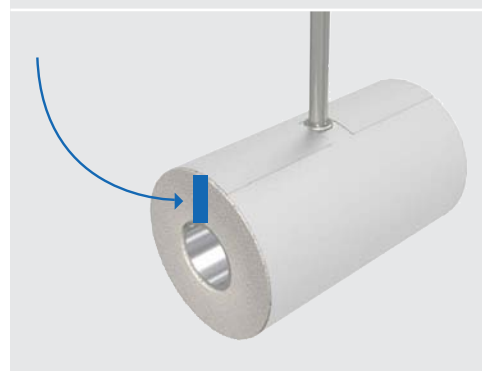
- Intermittent temperatures from -40F to 320F
- Continuous temperatures from -20F to 302F

Benefits

- Guides loose fit allow the line to freely expand and contract during thermal cycling, preventing undo stress to welds
- Hanger's threaded section is elongated, increasing the housings elevation adjustment aiding in slope alignment
- Insulation Envelope "IE": Reduced OD allows hanger to be buried under the insulation jacket
- Insulation Thickness: Line's ODs are Encased Under Insulation
 - 1.0" of insulation : 1/2" Tube (0.5") to 3" Copper (3.125")
 - 1.5" of insulation : 3" Pipe (3.5") to 4" Pipe (4.50")
 - 2.0" of insulation : 6" Tube (6.0") to 6" Pipe (6.625")
- There are no exposed threads or openings in hardware plates
- All plates are cleaned polished
- Hanger threads match MSS 69 rod OD requirement



Zero Puddle Insert

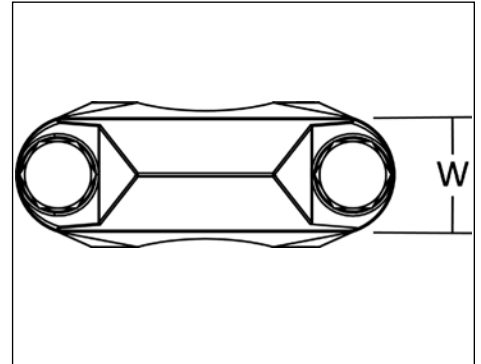
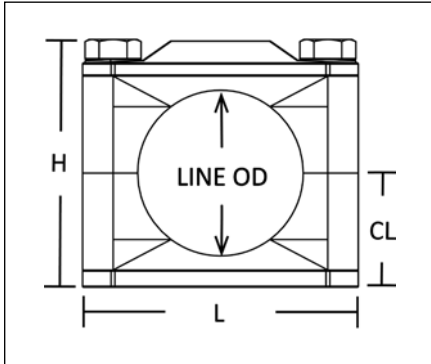


Insulation Envelope "IE"

Pipe Hanging Systems

Weld Mount

Bottom plate is welded to mounting rod or directly to structure



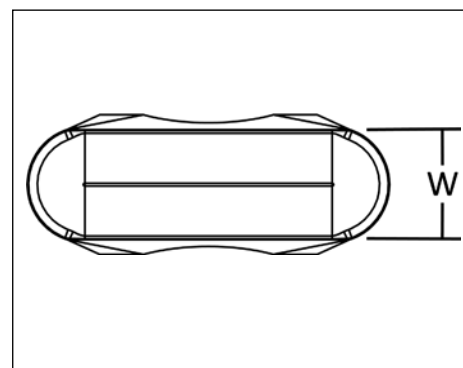
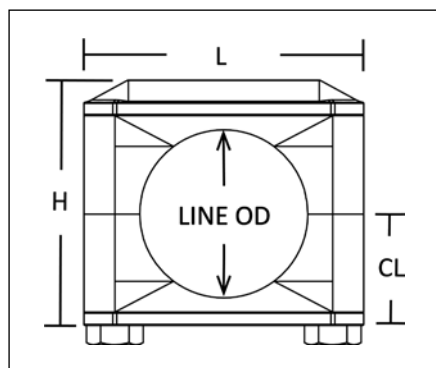
Part Number (anchor/tight fit)	Part Number (guide/loose fit)	Tube Size	Line OD	H	L	W	CL
WM-025T-304ZP	—	1/4"	0.25	1.31	1.93	0.75	0.56
WM-038T-304ZP	—	3/8"	0.38	1.51	1.93	0.75	0.56
WM-050T-304ZP	WM-050T-304ZPG	1/2"	0.50	1.73	1.93	0.75	0.79
WM-075T-304ZP	WM-075T-304ZPG	3/4"	0.75	1.73	1.93	0.75	0.79
WM-100T-304ZP	WM-100T-304ZPG	1"	1.00	1.73	1.93	0.75	0.79
WM-150T-304ZP	WM-150T-304ZPG	1-1/2"	1.50	2.23	2.49	0.75	1.03
WM-200T-304ZP	WM-200T-304ZPG	2"	2.00	2.75	2.99	0.88	1.31
WM-250T-304ZP	WM-250T-304ZPG	2-1/2"	2.50	3.25	3.36	0.88	1.55
WM-300T-304ZP	WM-300T-304ZPG	3"	3.00	3.97	3.99	0.88	1.91
WM-400T-304ZP	WM-400T-304ZPG	4"	4.00	4.87	5.10	1.00	2.39

Part Number (anchor/tight fit)	Part Number (guide/loose fit)	Pipe Size	Line OD	H	L	W	CL
WM-050P-304ZP	WM-050P-304ZPG	1/2"	0.840	1.73	1.93	0.75	0.79
WM-075P-304ZP	WM-075P-304ZPG	3/4"	1.050	1.73	1.93	0.75	0.79
WM-100P-304ZP	WM-100P-304ZPG	1"	1.315	2.23	2.49	0.75	1.03
WM-125P-304ZP	WM-125P-304ZPG	1.25"	1.660	2.75	2.99	0.88	1.31
WM-150P-304ZP	WM-150P-304ZPG	1-1/2"	1.900	2.75	2.99	0.88	1.31
WM-200P-304ZP	WM-200P-304ZPG	2"	2.375	3.25	3.36	0.88	1.55
WM-250P-304ZP	WM-250P-304ZPG	2-1/2"	2.875	3.68	3.74	0.88	1.77
WM-300P-304ZP	WM-300P-304ZPG	3"	3.500	4.15	4.48	1.00	2.06
WM-400P-304ZP	WM-400P-304ZPG	4"	4.500	5.27	5.10	1.00	2.58

Pipe Hanging Systems

Base Mount

Weld mounting rod to bottom plate then to mounting plate or structure



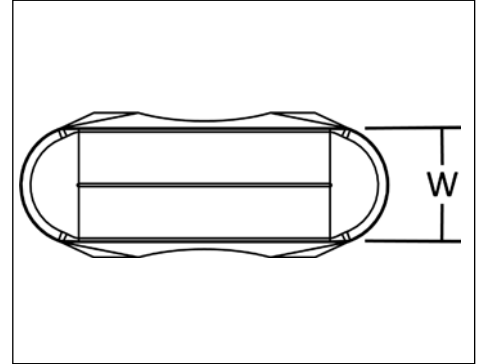
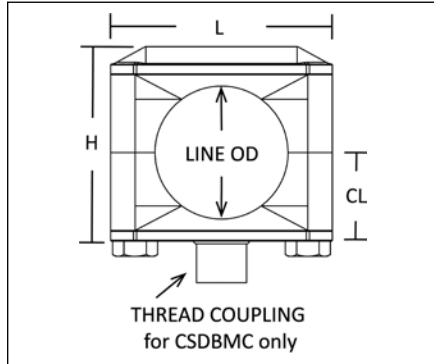
Part Number (anchor/tight fit)	Part Number (guide/loose fit)	Tube Size	Line OD	H	L	W	CL
BM-025T-304ZP	—	1/4"	0.25	1.7	1.93	0.75	1.21
BM-038T-304ZP	—	3/8"	0.375	1.7	1.93	0.75	1.21
BM-050T-304ZP	BM-050T-304ZPG	1/2"	0.5	1.7	1.93	0.75	1.44
BM-075T-304ZP	BM-075T-304ZPG	3/4"	0.75	1.7	1.93	0.75	1.44
BM-100T-304ZP	BM-100T-304ZPG	1"	1	1.7	1.93	0.75	1.44
BM-150T-304ZP	BM-150T-304ZPG	1-1/2"	1.5	2.19	2.49	0.75	1.94
BM-200T-304ZP	BM-200T-304ZPG	2"	2	2.69	2.99	0.88	2.44
BM-250T-304ZP	BM-250T-304ZPG	2-1/2"	2.5	3.19	3.36	0.88	2.81
BM-300T-304ZP	BM-300T-304ZPG	3"	3	3.97	3.99	0.88	3.44

Part Number (anchor/tight fit)	Part Number (guide/loose fit)	Pipe Size	Line OD	H	L	W	CL
BM-050P-304SA	—	1/2"	0.84	1.7	1.93	0.75	1.44
BM-075P-304ZP	BM-075P-304ZPG	3/4"	1.05	1.7	1.93	0.75	1.44
BM-100P-304ZP	BM-100P-304ZPG	1"	1.315	2.19	2.49	0.75	1.94
BM-125T-304SA	BM-125P-304ZPG	1.25"	1.66	2.69	2.99	0.88	2.44
BM-150P-304ZP	BM-150P-304ZPG	1-1/2"	1.9	2.69	2.99	0.88	2.44
BM-200P-304ZP	BM-200P-304ZPG	2"	2.375	3.19	3.36	0.88	2.81
BM-250P-304ZP	BM-250P-304ZPG	2-1/2"	2.875	3.63	3.74	0.88	3.19

Pipe Hanging Systems

Base Mount Thread Coupling Mount

FOR ATTACHMENT: Use Shielded Rod, a solid rod with threaded end(s) or an all thread rod



Part Number (anchor/tight fit)	Part Number (guide/loose fit)	Tube Size	Line OD	H	L	W	CL	Round Coupling	
								Height	Thread
BTCM-025T-304ZP	—	1/4"	0.25	1.7	1.93	0.75	0.50	0.47	3/8"-16
BTCM-038T-304ZP	—	3/8"	0.375	1.7	1.93	0.75	0.50	0.47	3/8"-16
BTCM-050T-304ZP	BTCM-050T-304ZPG	1/2"	0.5	1.7	1.93	0.75	0.733	0.47	3/8"-16
BTCM-075T-304ZP	BTCM-075T-304ZPG	3/4"	0.75	1.7	1.93	0.75	0.733	0.47	3/8"-16
BTCM-100T-304ZP	BTCM-100T-304ZPG	1"	1	1.7	1.93	0.75	0.733	0.47	3/8"-16
BTCM-150T-304ZP	BTCM-150T-304ZPG	1 1/2"	1.5	2.19	2.49	0.75	0.973	0.47	3/8"-16
BTCM-200T-304ZP	BTCM-200T-304ZPG	2"	2	2.69	2.99	0.88	1.249	0.47	3/8"-16
BTCM-250T-304ZP	BTCM-250T-304ZPG	2 1/2"	2.5	3.19	3.36	0.88	1.489	0.59	1/2"-13
BTCM-300T-304ZP	BTCM-300T-304ZPG	3"	3	3.97	3.99	0.88	1.849	0.59	1/2"-13

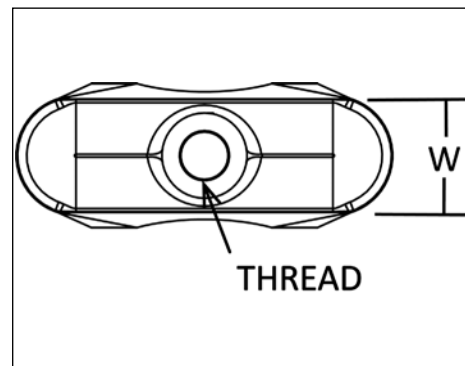
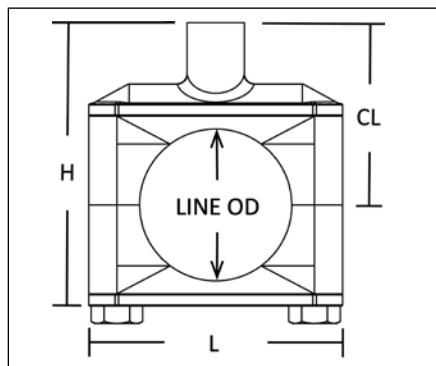
Part Number (anchor/tight fit)	Part Number (guide/loose fit)	Pipe Size	Line OD	H	L	W	CL	Round Coupling	
								Height	Thread
BTCM-050P-304ZP	—	1/2"	0.84	1.7	1.93	0.75	0.733	0.47	3/8"-16
BTCM-075P-304ZP	BTCM-075P-304ZPG	3/4"	1.05	1.7	1.93	0.75	0.733	0.47	3/8"-16
BTCM-100P-304ZP	BTCM-100P-304ZPG	1"	1.315	2.19	2.49	0.75	0.973	0.47	3/8"-16
BTCM-125P-304ZP	BTCM-125P-304ZPG	1 1/4"	1.66	2.69	2.99	0.88	1.253	0.47	3/8"-16
BTCM-150P-304ZP	BTCM-150P-304ZPG	1 1/2"	1.9	2.69	2.99	0.88	1.253	0.47	3/8"-16
BTCM-200P-304ZP	BTCM-200P-304ZPG	2"	2.375	3.19	3.36	0.88	1.493	0.59	1/2"-13
BTCM-250P-304ZP	BTCM-250P-304ZPG	2 1/2"	2.875	3.63	3.74	0.88	1.709	0.59	1/2"-13



Pipe Hanging Systems

Hang Mount

FOR ATTACHMENT: Use Shielded Rod, solid rod with threaded end(s) or all thread rod



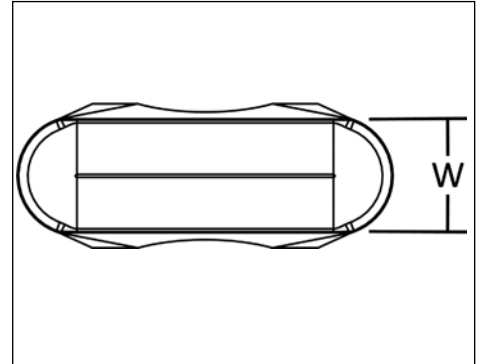
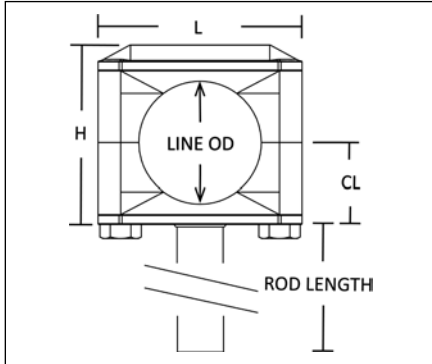
Part Number (anchor/tight fit)	Part Number (guide/loose fit)	Tube Size	Line OD	H	L	W	CL	Thread
HM-025T-304ZP	—	1/4"	0.25	1.85	1.93	0.75	1.32	3/8"-16
HM-038T-304ZP	—	3/8"	0.375	2.07	1.93	0.75	1.32	3/8"-16
HM-050P-316ZP	HM-050T-304ZPG	1/2"	0.5	2.29	1.93	0.75	1.55	3/8"-16
HM-075T-304ZP	HM-075T-304ZPG	3/4"	0.75	2.29	1.93	0.75	1.55	3/8"-16
HM-100T-304ZP	HM-100T-304ZPG	1"	1	2.29	1.93	0.75	1.55	3/8"-16
HM-150T-304ZP	HM-150T-304ZPG	1-1/2"	1.5	2.79	2.49	0.75	1.8	3/8"-16
HM-200T-304SP	HM-200T-304ZPG	2"	2	3.29	2.99	0.88	2.05	3/8"-16
HM-250T-304ZP	HM-250T-304ZPG	2-1/2"	2.5	4.43	3.36	0.88	2.09	1/2"-13
HM-300T-304ZP	HM-300T-304ZPG	3"	3	5.18	3.99	0.88	3.3	1/2"-13
HM-400T-304ZP	HM-400T-304ZPG	4"	4	6.24	5.1	1	4.05	5/8"-11

Part Number (anchor/tight fit)	Part Number (guide/loose fit)	Pipe Size	Line OD	H	L	W	CL	Thread
HM-050P-304ZP	HM-050P-316ZPG	1/2"	0.84	2.29	1.93	0.75	1.55	3/8"-16
HM-075P-304ZP	HM-075P-304ZPG	3/4"	1.05	2.29	1.93	0.75	1.55	3/8"-16
HM-100P-304ZP	HM-100P-304ZPG	1"	1.315	2.79	2.49	0.75	1.8	3/8"-16
HM-125P-304ZP	HM-125P-304ZPG	1.25"	1.66	3.29	2.99	0.88	2.05	3/8"-16
HM-150P-304ZP	HM-150P-304ZPG	1-1/2"	1.9	3.29	2.99	0.88	2.05	3/8"-16
HM-200P-304ZP	HM-200P-304ZPG	2"	2.375	5.59	3.36	0.88	2.09	1/2"-13
HM-250P-304ZP	HM-250P-304ZPG	2-1/2"	2.875	6.02	4.8	0.88	3.18	1/2"-13
HM-300P-304ZP	HM-300P-304ZPG	3"	3.5	5.59	5.59	1	3.6	1/2"-13
HM-400P-304ZP	HM-400P-304ZPG	4"	4.5	6.68	5.1	1	4.21	5/8"-11

Pipe Hanging Systems

Base Mount Rod Mount

Hanger's rod is welded to mounting plate or structure
(rod lengths can be supplied per specification)



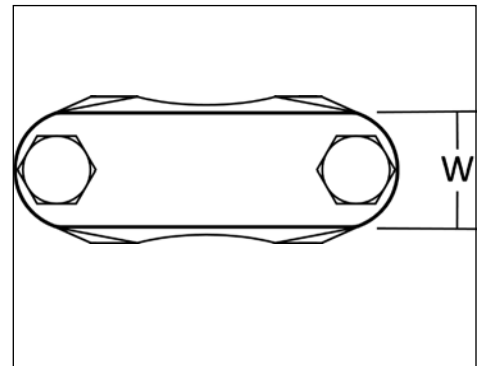
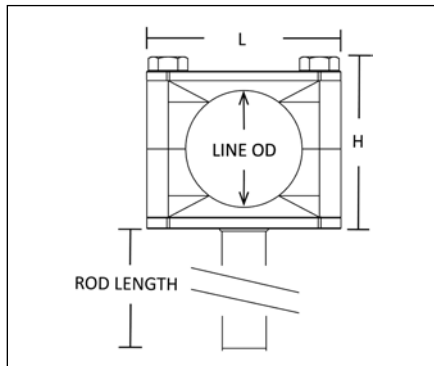
Part Number (anchor/tight fit)	Part Number (guide/loose fit)	Tube Size	Line OD	H	L	W	CL	Rod (stock length)	
								Length	OD
BRM-025T-304ZP	—	1/4"	0.25	1.7	1.93	0.75	0.50	6	0.375
BRM-038T-304ZP	—	3/8"	0.375	1.7	1.93	0.75	0.50	6	0.375
BRM-050T-304ZP	BRM-050T-304ZPG	1/2"	0.5	1.7	1.93	0.75	0.733	6	0.375
BRM-075T-304ZP	BRM-075T-304ZPG	3/4"	0.75	1.7	1.93	0.75	0.733	6	0.375
BRM-100T-304ZP	BRM-100T-304ZPG	1"	1	1.7	1.93	0.75	0.733	6	0.375
BRM-150T-304ZP	BRM-150T-304ZPG	1-1/2"	1.5	2.19	2.49	0.75	0.973	6	0.375
BRM-200T-304ZP	BRM-200T-304ZPG	2"	2	2.69	2.99	0.88	1.249	6	0.375
BRM-250T-304ZP	BRM-250T-304ZPG	2-1/2"	2.5	3.19	3.36	0.88	1.489	6	0.5
BRM-300T-304ZP	BRM-300T-304ZPG	3"	3	3.97	3.99	0.88	1.849	6	0.5

Part Number (anchor/tight fit)	Part Number (guide/loose fit)	Pipe Size	Line OD	H	L	W	CL	Rod (stock length)	
								Length	OD
BRM-050P-304ZP	—	1/2"	0.84	1.7	1.93	0.75	0.733	6	0.375
BRM-075P-304ZP	BRM-075P-304ZPG	3/4"	1.05	1.7	1.93	0.75	0.733	6	0.375
BRM-100P-304ZP	BRM-100P-304ZPG	1"	1.315	2.19	2.49	0.75	0.973	6	0.375
BRM-125P-304ZP	—	1.25"	1.66	2.69	2.99	0.88	1.253	6	0.375
BRM-150P-304ZP	—	1-1/2"	1.9	2.69	2.99	0.88	1.253	6	0.375
BRM-200P-304ZP	BRM-200P-304ZPG	2"	2.375	3.19	3.36	0.88	1.493	6	0.5
BRM-250P-304ZP	BRM-250P-304ZPG	2-1/2"	2.875	3.63	3.74	0.88	1.709	6	0.5



Pipe Hanging Systems

Rod Mount - 6" Rod to Weld Plate Mount (rod lengths also supplied per specification)



Part Number (anchor/tight fit)	Part Number (guide/loose fit)	Tube Size	Line OD	H	L	W	CL	Rod (stock length)	
								Length	OD
RHM-025T-304ZP	—	1/4"	0.375	1.73	1.93	0.75	0.56	6	0.375
RHM-038T-304ZP	—	3/8"	0.375	1.73	1.93	0.75	0.56	6	0.375
RHM-050T-304ZP	RHM-050T-304ZPG	1/2"	0.5	1.73	1.93	0.75	0.79	6	0.375
RHM-075T-304ZP	RHM-075T-304ZPG	3/4"	0.75	1.73	1.93	0.75	0.79	6	0.375
RHM-100T-304ZP	RHM-100T-304ZPG	1"	1	1.73	1.93	0.75	0.79	6	0.375
RHM-150T-304ZP	RHM-150T-304ZPG	1-1/2"	1.5	2.23	2.49	0.75	1.03	6	0.375
RHM-200T-304ZP	RHM-200T-304ZPG	2"	2	2.75	2.99	0.88	1.31	6	0.375
RHM-250T-304ZP	RHM-250T-304ZPG	2-1/2"	2.5	3.25	3.36	0.88	1.55	6	0.5
RHM-300T-304ZP	RHM-300T-304ZPG	3"	3	3.97	3.99	0.88	1.91	6	0.5
RHM-400T-304ZP	RHM-400T-304ZPG	4"	4	4.87	5.1	1	2.39	6	0.5

Part Number (anchor/tight fit)	Part Number (guide/loose fit)	Pipe Size	Line OD	H	L	W	CL	Rod (stock length)	
								Length	OD
RHM-050P-304ZP	RHM-050P-304ZPG	1/2"	0.84	1.73	1.93	0.75	0.79	6	0.375
RHM-075P-304ZP	RHM-075P-304ZPG	3/4"	1.05	1.73	1.93	0.75	0.79	6	0.375
RHM-100P-304ZP	RHM-100P-304ZPG	1"	1.315	2.23	2.49	0.75	1.03	6	0.375
RHM-125P-304ZP	RHM-125P-304ZPG	1.25"	1.66	2.75	2.99	0.88	1.31	6	0.375
RHM-150P-304ZP	RHM-150P-304ZPG	1-1/2"	1.9	2.75	2.99	0.88	1.31	6	0.375
RHM-200P-304ZP	RHM-200P-304ZPG	2"	2.375	3.25	3.36	0.88	1.55	6	0.5
RHM-250P-304ZP	RHM-250P-304ZPG	2-1/2"	2.875	3.68	3.74	0.88	1.77	6	0.5
RHM-300P-304ZP	RHM-300P-304ZPG	3"	3.5	4.15	4.48	1	2.06	6	0.5
RHM-400P-304ZP	RHM-400P-304ZPG	4"	4.5	5.27	5.1	1	2.58	6	0.5

PROCESS HEX HANGERS

Tube and Pipe Hangers

Applications

- Cleanrooms and mechanical areas; not limited to: biotech, pharmaceutical, food processing, beverage, dairy, cosmetic, chemical, water treatment, and semi-conductor industries.
- Low flow & low pressure systems with moderate vibration: WFI, SIP, CIP, process, utility & instrument lines, WFI, SIP, CIP, process, utilities & instrument lines

Sizes

- Support Range: 1/4" - 6" Tube and 1/2" - 6" Pipe

Features

- ZERO PUDDLE Silicones inserts raised geometry facilitates drainage of liquids on vertical/riser lines creating maintenance uptime.

Materials

- 304 and 316 stainless steels
- ZERO PUDDLE inserts are FDA grade silicone rubber

Specifications

- Intermittent temperatures from -40F to 320F
- Continues temperatures from -20F to 302F

Benefits

- Drainable and Cleanable
- There are no exposed threads or openings in hardware plates
- Carriage bolts lock into Hardware Frame;s square hole allowing installer to use a single wrench
- The antiquated Entrapping Hex Hanger requires two wrenches, increasing safety concerns and installation time
- Carriage bolts are reversible, so rounded drainable surface is always on the hangers topside
- Hanger threads match MSS 69 rod OD requirements
- Silicone inserts are resistant to high and low temperatures



Zero Puddle Insert

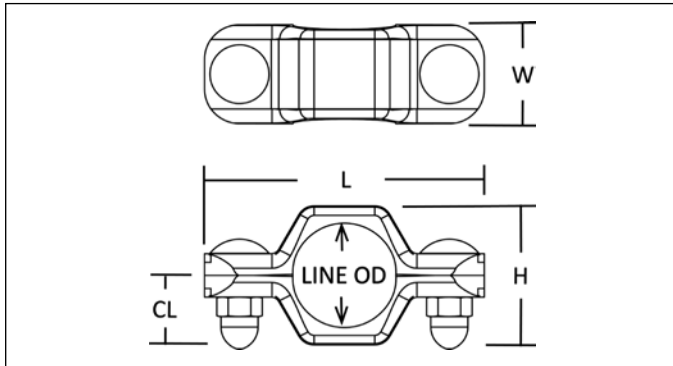


If you cannot see it, reach it, clean it, or sample it, this could be a concerning pathogen harbor point.

Pipe Hanging Systems

Process Hex Hanger Weld Mount

Mounting rod is welded to PHH's frame



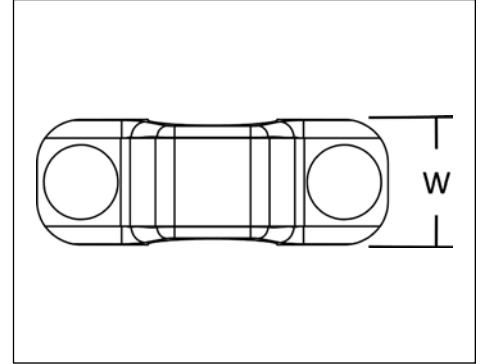
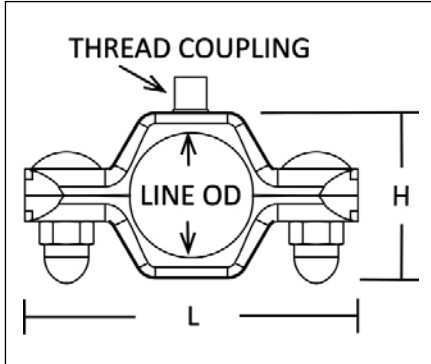
Part Number w/ Acorn Nut	Part Number w/ Lock Nut	Tube Size	Line OD	H	L	W	CL
PHWM-050T-304SAN	PHWM-050T-304SLN	1/2"	0.5	1.15	2.8	1.1	0.575
PHWM-075T-304SAN	PHWM-075T-304SLN	3/4"	0.75	1.15	2.8	1.1	0.575
PHWM-100T-304SAN	PHWM-100T-304SLN	1"	1	1.45	3	1.1	0.725
PHWM-150T-304SAN	PHWM-150T-304SLN	1-1/2"	1.5	1.96	4	1.42	0.981
PHWM-200T-304SAN	PHWM-200T-304SLN	2"	2	2.5	4.6	1.42	1.25
PHWM-250T-304SAN	PHWM-250T-304SLN	2-1/2"	2.5	4	5.1	1.42	4
PHWM-300T-304SAN	PHWM-300T-304SLN	3"	3	3.5	5.6	1.42	1.75
PHWM-400T-304SAN	PHWM-400T-304SLN	4"	4	4.55	6.75	1.42	2.275
PHWM-600T-304SAN	PHWM-600T-304SLN	6"	6	6.29	9.25	1.42	3.145

Part Number w/ Acorn Nut	Part Number w/ Lock Nut	Pipe Size	Line OD	H	L	W	CL
PHWM-050P-304SAN	PHWM-050P-304SLN	1/2"	0.84	1.45	3	1.1	0.725
PHWM-075P-304SAN	PHWM-075P-304SLN	3/4"	1.05	1.45	3	1.1	0.725
PHWM-100P-304SAN	PHWM-100P-304SLN	1"	1.315	1.96	4	1.42	0.981
PHWM-150P-304SAN	PHWM-150P-304SLN	1-1/2"	1.9	2.5	4.6	1.42	1.25
PHWM-200P-304SAN	PHWM-200P-304SLN	2"	2.375	3	5.1	1.42	1.5
PHWM-250P-304SAN	PHWM-250P-304SLN	2-1/2"	2.875	3.5	5.6	1.42	1.75
PHWM-300P-304SAN	PHWM-300P-304SLN	3"	3.5	4.125	6.325	1.42	2.06
PHWM-400P-304SAN	PHWM-400P-304SLN	4"	4.5	5.12	7.52	1.42	2.65
PHWM-600P-304SAN	PHWM-600P-304SLN	6"	6.625	7.2	9.25	1.735	3.31

Pipe Hanging Systems

Process Hex Hanger Threaded Coupling

FOR ATTACHMENT: Use Shielded Rod, solid rod with threaded end(s) or all thread rod



Part Number w/ Acorn Nut	Part Number w/ Lock Nut	Tube Size	Line OD	H	L	W	CL	Round Coupling	
								Height	Thread
PHTCM-050T-304SAN	PHTCM-050T-304SLN	1/2"	0.5	1.15	2.8	1.1	0.575	0.47	3/8"-16
PHTCM-075T-304SAN	PHTCM-075T-304SLN	3/4"	0.75	1.15	2.8	1.1	0.575	0.47	3/8"-16
PHTCM-100T-304SAN	PHTCM-100T-304SLN	1"	1	1.45	3	1.1	0.725	0.47	3/8"-16
PHTCM-150T-304SAN	PHTCM-150T-304SLN	1-1/2"	1.5	1.96	4	1.42	0.981	0.47	3/8"-16
PHTCM-200T-304SAN	PHTCM-200T-304SLN	2"	2	2.5	4.6	1.42	1.25	0.47	3/8"-16
PHTCM-250T-304SAN	PHTCM-250T-304SLN	2-1/2"	2.5	4	5.1	1.42	4	0.59	1/2"-13
PHTCM-300T-304SAN	PHTCM-300T-304SLN	3"	3	3.5	5.6	1.42	1.75	0.59	1/2"-13
PHTCM-400T-304SAN	PHTCM-400T-304SLN	4"	4	4.55	6.75	1.42	2.275	0.59	1/2"-13
PHTCM-600T-304SAN	PHTCM-600T-304SLN	6"	6	6.29	9.25	1.42	3.145	0.88	3/4"-10

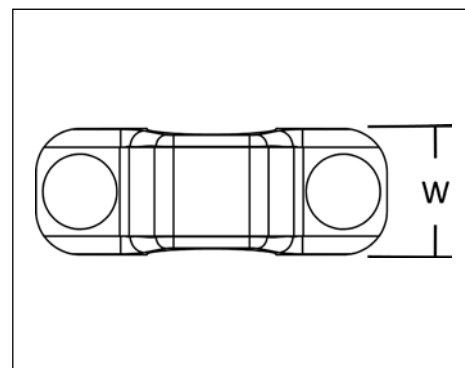
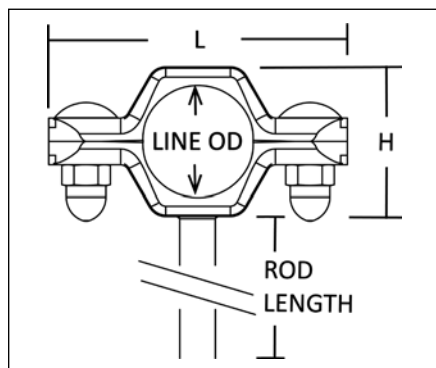
Part Number w/ Acorn Nut	Part Number w/ Lock Nut	Pipe Size	Line OD	H	L	W	CL	Round Coupling	
								Height	Thread
PHTCM-050P-304SAN	PHTCM-050P-304SLN	1/2"	0.84	1.45	3	1.1	0.725	0.47	3/8"-16
PHTCM-075P-304SAN	PHTCM-075P-304SLN	3/4"	1.05	1.45	3	1.1	0.725	0.47	3/8"-16
PHTCM-100P-304SAN	PHTCM-100P-304SLN	1"	1.315	1.96	4	1.42	0.981	0.47	3/8"-16
PHTCM-150P-304SAN	PHTCM-150P-304SLN	1-1/2"	1.9	2.5	4.6	1.42	1.25	0.47	3/8"-16
PHTCM-200P-304SAN	PHTCM-200P-304SLN	2"	2.375	3	5.1	1.42	1.5	0.59	1/2"-13
PHTCM-250P-304SAN	PHTCM-250P-304SLN	2-1/2"	2.875	3.5	5.6	1.42	1.75	0.59	1/2"-13
PHTCM-300P-304SAN	PHTCM-300P-304SLN	3"	3.5	4.125	6.325	1.42	2.06	0.59	1/2"-13
PHTCM-400P-304SAN	PHTCM-400P-304SLN	4"	4.5	5.12	7.52	1.42	2.65	0.59	1/2"-13
PHTCM-600P-304SAN	PHTCM-600P-304SLN	6"	6.625	7.2	9.25	1.735	3.31	0.88	3/4"-10



Pipe Hanging Systems

Process Hex Hanger Rod Mount

Hanger's rod is welded to mounting plate or structure
(rod lengths also supplied per specification)



Part Number w/ Acorn Nut	Part Number w/ Lock Nut	Tube Size	Line OD	H	L	W	Rod (stock length)	
							Length	OD
PHRM-050T-304SAN	PHRM-050T-304SLN	1/2"	0.5	1.15	2.8	1.1	6	0.375
PHRM-075T-304SAN	PHRM-075T-304SLN	3/4"	0.75	1.15	2.8	1.1	6	0.375
PHRM-100T-304SAN	PHRM-100T-304SLN	1"	1	1.45	3	1.1	6	0.375
PHRM-150T-304SAN	PHRM-150T-304SLN	1-1/2"	1.5	1.96	4	1.42	6	0.375
PHRM-200T-304SAN	PHRM-200T-304SLN	2"	2	2.5	4.6	1.42	6	0.375
PHRM-250T-304SAN	PHRM-250T-304SLN	2-1/2"	2.5	4	5.1	1.42	6	0.5
PHRM-300T-304SAN	PHRM-300T-304SLN	3"	3	3.5	5.6	1.42	6	0.5
PHRM-400T-304SAN	PHRM-400T-304SLN	4"	4	4.55	6.75	1.42	6	0.5
PHRM-600T-304SAN	PHRM-600T-304SLN	6"	6	6.29	9.25	1.42	6	0.75

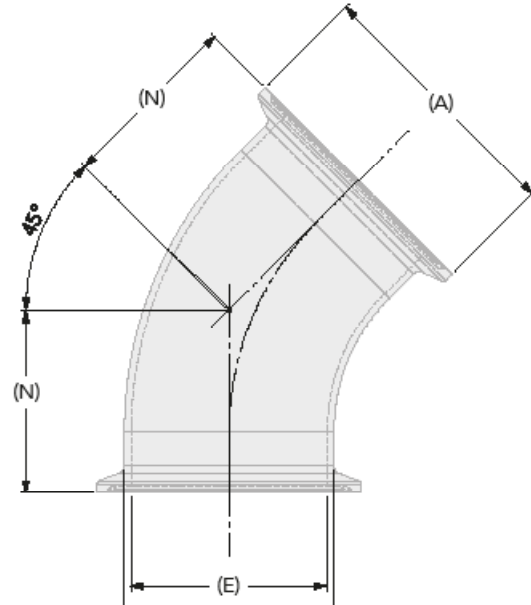
Part Number w/ Acorn Nut	Part Number w/ Lock Nut	Pipe Size	Line OD	H	L	W	Rod (stock length)	
							Length	OD
PHRM-050P-304SAN	PHRM-050P-304SLN	1/2"	0.84	1.45	3	1.1	6	0.375
PHRM-075P-304SAN	PHRM-075P-304SLN	3/4"	1.05	1.45	3	1.1	6	0.375
PHRM-100P-304SAN	PHRM-100P-304SLN	1"	1.315	1.96	4	1.42	6	0.375
PHRM-150P-304SAN	PHRM-150P-304SLN	1-1/2"	1.9	2.5	4.6	1.42	6	0.375
PHRM-200P-304SAN	PHRM-200P-304SLN	2"	2.375	3	5.1	1.42	6	0.5
PHRM-250P-304SAN	PHRM-250P-304SLN	2-1/2"	2.875	3.5	5.6	1.42	6	0.5
PHRM-300P-304SAN	PHRM-300P-304SLN	3"	3.5	4.125	6.325	1.42	6	0.5
PHRM-400P-304SAN	PHRM-400P-304SLN	4"	4.5	5.12	7.52	1.42	6	0.625
PHRM-600P-304SAN	PHRM-600P-304SLN	6"	6.625	7.2	9.25	1.735	6	0.75

Bioprocessing Equipment Products (BPE)

BPE Fittings

ACL® BPE 45° Elbow DT-4.1.1-6

Material
316L / 1.4404



BPE 45° Elbows

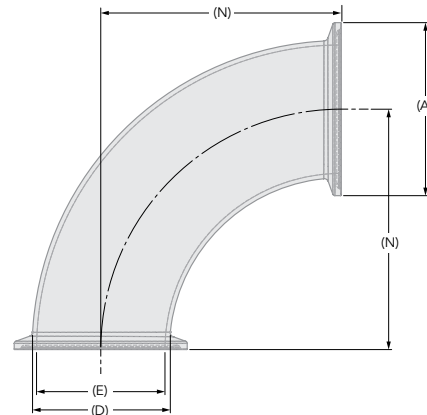
Part Number	Nominal Size	Dimension (Inches)				Weight (lbs)	Legacy Part Number
	Imperial	Distance (N)	Flange (A)	OD (D)	ID (E)		
DFE4A1025635S16L	1/4"	1.00	0.98	0.25	0.17	0.11	EL.BPE.45.025.SF1
DFE4A1025952S16L	3/8"	1.00	0.98	0.38	0.31	0.15	EL.BPE.45.038.SF1
DFE4A1025127S16L	1/2"	1.00	0.98	0.50	0.37	0.22	EL.BPE.45.050.SF1
DFE4A1025195S16L	3/4"	1.00	0.98	0.75	0.62	0.35	EL.BPE.45.075.SF1
DFE4A10500025S16L	1"	1.13	1.99	1.00	0.87	0.40	EL.BPE.45.100.SF1
DFE4A10050038S16L	1-1/2"	1.44	1.99	1.50	1.37	0.40	EL.BPE.45.150.SF1
DFE4A10064051S16L	2"	1.75	2.52	2.00	1.87	0.64	EL.BPE.45.200.SF1
DFE4A1077063S16L	2-1/2"	2.06	3.05	2.50	2.37	0.90	EL.BPE.45.250.SF1
DFE4A1091076S16L	3"	2.38	3.58	3.00	2.87	1.48	EL.BPE.45.300.SF1
DFE4A1119101S16L	4"	3.13	4.69	4.00	3.83	2.56	EL.BPE.45.400.SF1
DFE4A1167152S16L	6"	5.25	6.57	6.00	5.78	7.10	EL.BPE.45.600.SF1

 For Pipe Hanging Systems, refer to pages 59-69.

BPE Fittings

ACL® BPE 90° Elbow SF1 & SF4 – DT-4.1.1-3

Material
316L / 1.4404



BPE 90° Elbows – SF1

Part Number	Nominal Size	Dimension (Inches)				Weight (lbs)	Legacy Part Number
	Imperial	Distance (N)	Flange (A)	OD (D)	ID (E)		
DFE9A1025635S16L	1/4"	1.63	0.98	0.25	0.17	0.20	EL.BPE.90.025.SF1
DFE9A1025952S16L	3/8"	1.63	0.98	0.38	0.31	0.29	EL.BPE.90.038.SF1
DFE9A1025127S16L	1/2"	1.63	0.98	0.50	0.37	0.35	EL.BPE.90.050.SF1
DFE9A1025195S16L	3/4"	1.63	0.98	0.75	0.62	0.44	EL.BPE.90.075.SF1
DFE9A1050025S16L	1"	2.00	1.99	1.00	0.87	0.53	EL.BPE.90.100.SF1
DFE9A1050038S16L	1-1/2"	2.75	1.99	1.50	1.37	0.60	EL.BPE.90.150.SF1
DFE9A1064051S16L	2"	3.50	2.52	2.00	1.87	2.69	EL.BPE.90.200.SF1
DFE9A1077063S16L	2-1/2"	4.25	3.05	2.50	2.37	1.43	EL.BPE.90.250.SF1
DFE9A1091076S16L	3"	5.00	3.58	3.00	2.87	2.01	EL.BPE.90.300.SF1
DFE9A1119101S16L	4"	6.63	4.69	4.00	3.83	4.10	EL.BPE.90.400.SF1
DFE9A1167152S16L	6"	10.50	6.57	6.00	5.78	12.50	EL.BPE.90.600.SF1

BPE 90° Elbows – SF4

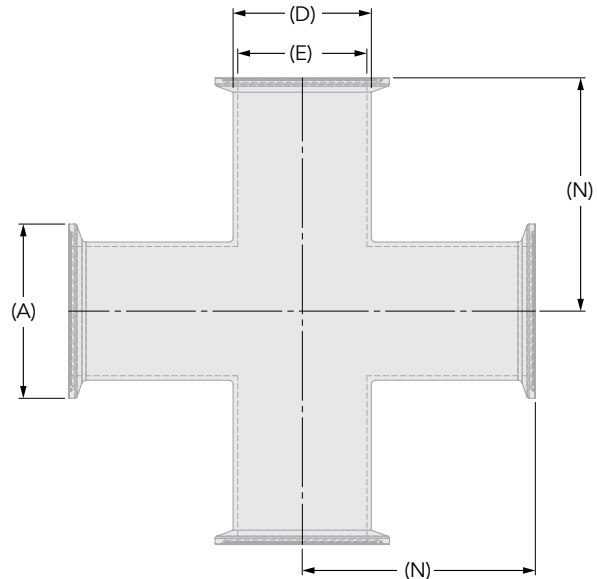
Part Number	Nominal Size	Dimension (Inches)				Weight (lbs)	Legacy Part Number
	Imperial	Distance (N)	Flange (A)	OD (D)	ID (E)		
DFE9A1025635S46L	1/4"	1.63	0.98	0.25	0.17	0.20	EL.BPE.90.025.SF4
DFE9A1025952S46L	3/8"	1.63	0.98	0.38	0.31	0.29	EL.BPE.90.038.SF4
DFE9A1025127S46L	1/2"	1.63	0.98	0.50	0.37	0.35	EL.BPE.90.050.SF4
DFE9A1025195S46L	3/4"	1.63	0.98	0.75	0.62	0.44	EL.BPE.90.075.SF4
DFE9A1050025S46L	1"	2.00	1.99	1.00	0.87	0.53	EL.BPE.90.100.SF4
DFE9A1050038S46L	1-1/2"	2.75	1.99	1.50	1.37	0.60	EL.BPE.90.150.SF4
DFE9A1064051S46L	2"	3.50	2.52	2.00	1.87	2.69	EL.BPE.90.200.SF4
DFE9A1077063S46L	2-1/2"	4.25	3.05	2.50	2.37	1.43	EL.BPE.90.250.SF4
DFE9A1091076S46L	3"	5.00	3.58	3.00	2.87	2.01	EL.BPE.90.300.SF4
DFE9A1119101S46L	4"	6.63	4.69	4.00	3.83	4.10	EL.BPE.90.400.SF4
DFE9A1167152S4B6	6"	10.50	6.57	6.00	5.78	12.50	EL.BPE.90.600.SF4

 For Pipe Hanging Systems, refer to pages 59-69.

BPE Fittings

ACL® BPE Cross Piece DT-4.1.2-4

Material
316L / 1.4404



BPE Cross Pieces

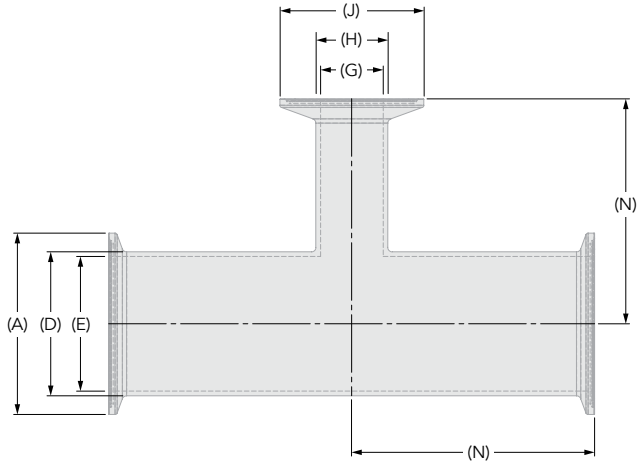
Part Number	Nominal Size	Dimension (Inches)				Weight (lbs)	Legacy Part Number
	Imperial	Distance (N)	Flange (A)	OD (D)	ID (E)		
DFXEA1025635S16L	1/4"	2.25	0.98	0.25	0.17	0.68	CP.BPE.025.SF1
DFXEA1025952S16L	3/8"	2.25	0.98	0.38	0.31	0.82	CP.BPE.038.SF1
DFXEA1025127S16L	1/2"	2.38	0.98	0.50	0.37	0.93	CP.BPE.050.SF1
DFXEA1025195S16L	3/4"	2.50	0.98	0.75	0.62	0.93	CP.BPE.075.SF1
DFXEA1050025S16L	1"	2.63	1.99	1.00	0.87	1.10	CP.BPE.100.SF1
DFXEA1050038S16L	1-1/2"	2.88	1.99	1.50	1.37	1.10	CP.BPE.150.SF1
DFXEA1064051S16L	2"	3.38	2.52	2.00	1.87	1.83	CP.BPE.200.SF1
DFXEA1077063S16L	2-1/2"	3.63	3.05	2.50	2.37	2.25	CP.BPE.250.SF1
DFXEA1091089S16L	3"	3.88	3.58	3.00	2.87	2.67	CP.BPE.300.SF1
DFXEA1119101S16L	4"	4.75	4.69	4.00	3.83	2.67	CP.BPE.400.SF1
DFXEA1167152S16L	6"	7.13	6.57	6.00	5.78	4.50	CP.BPE.600.SF1

For Pipe Hanging Systems, refer to pages 59-69.

BPE Fittings

ACL® BPE Reducing Tee DT-4.1.2-8

Material
316L / 1.4404



BPE Reducing Tees

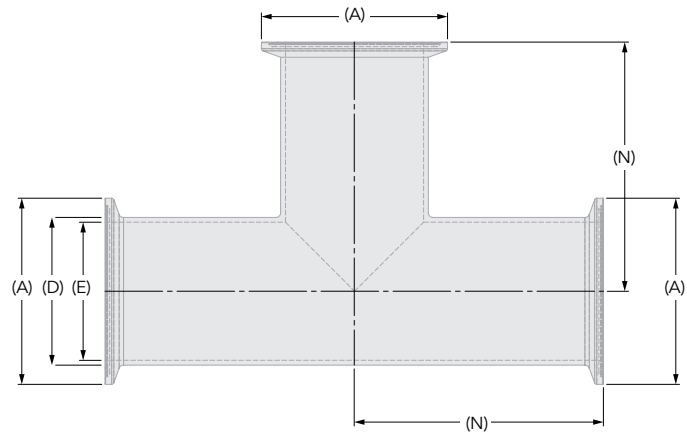
Part Number	Nominal Size 1	Nominal Size 2	Dimension (Inches)							Weight (lbs)	Legacy Part Number
	Tube	Branch	Distance (N)	Flange 1 (A)	Flange 2 (J)	OD 1 (D)	OD 2 (H)	ID 1 (E)	ID 2 (G)		
DFRSA1000195127S16L	3/4"	1/2"	2.50	0.98	0.98	0.75	0.50	0.62	0.37	1.50	RT.BPE.075.050
DFRSA1000025127S16L	1"	1/2"	2.63	1.99	0.98	1.00	0.50	0.87	0.37	0.84	RT.BPE.100.050
DFRSA1000025195S16L	1"	3/4"	2.63	1.99	0.98	1.00	0.75	0.87	0.62	0.84	RT.BPE.100.075
DFRSA1000038127S16L	1-1/2"	1/2"	2.88	1.99	0.98	1.50	0.50	1.37	0.37	0.90	RT.BPE.150.050
DFRSA1000038195S16L	1-1/2"	3/4"	2.88	1.99	0.98	1.50	0.75	1.37	0.62	0.90	RT.BPE.150.075
DFRSA1000038025S16L	1-1/2"	1"	2.88	1.99	1.99	1.50	1.00	1.37	0.87	1.04	RT.BPE.150.100
DFRSA1000051127S16L	2"	1/2"	3.38	2.52	0.98	2.00	0.50	1.87	0.37	1.50	RT.BPE.200.050
DFRSA1000051195S16L	2"	3/4"	3.38	2.52	0.98	2.00	0.75	1.87	0.62	1.37	RT.BPE.200.075
DFRSA1000051025S16L	2"	1"	3.38	2.52	1.99	2.00	1.00	1.87	0.87	1.50	RT.BPE.200.100
DFRSA1000051038S16L	2"	1-1/2"	3.38	2.52	1.99	2.00	1.50	1.87	1.37	1.41	RT.BPE.200.150

For Pipe Hanging Systems, refer to pages 59-69.

BPE Fittings

ACL® BPE Equal Tee DT-4.1.2-4

Material
316L / 1.4404



BPE Standard Tees

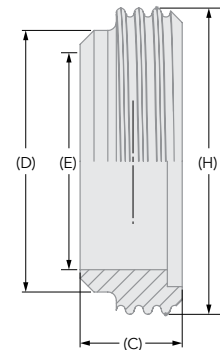
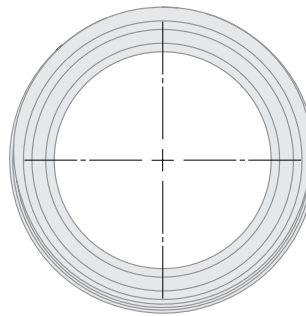
Part Number	Nominal Size	Dimension (Inches)				Weight (lbs)	Legacy Part Number
	Imperial	Distance (N)	Flange (A)	OD (D)	ID (E)		
DFXEA1025635S16L	1/4"	2.25	0.98	0.25	0.17	0.68	CP.BPE.025.SF1
DFXEA1025952S16L	3/8"	2.25	0.98	0.38	0.31	0.82	CP.BPE.038.SF1
DFXEA1025127S16L	1/2"	2.38	0.98	0.50	0.37	0.93	CP.BPE.050.SF1
DFXEA1025195S16L	3/4"	2.50	0.98	0.75	0.62	0.93	CP.BPE.075.SF1
DFXEA1050025S16L	1"	2.63	1.99	1.00	0.87	1.10	CP.BPE.100.SF1
DFXEA1050038S16L	1-1/2"	2.88	1.99	1.50	1.37	1.10	CP.BPE.150.SF1
DFXEA1064051S16L	2"	3.38	2.52	2.00	1.87	1.83	CP.BPE.200.SF1
DFXEA1077063S16L	2-1/2"	3.63	3.05	2.50	2.37	2.25	CP.BPE.250.SF1
DFXEA1091089S16L	3"	3.88	3.58	3.00	2.87	2.67	CP.BPE.300.SF1
DFXEA1119101S16L	4"	4.75	4.69	4.00	3.83	2.67	CP.BPE.400.SF1
DFXEA1167152S16L	6"	7.13	6.57	6.00	5.78	4.50	CP.BPE.600.SF1

For Pipe Hanging Systems, refer to pages 59-69.

DS Fittings

ACL® DS Male

Material
316L / 1.4404



DS Males

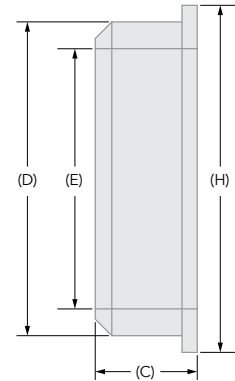
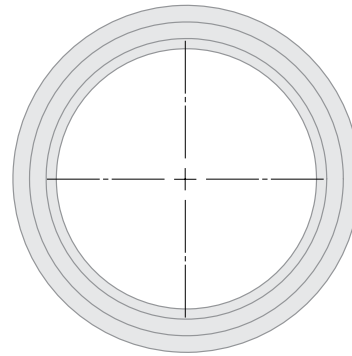
Part Number	Nominal Size	Dimension (Inches)				Legacy Part Number
	Imperial	OD 1 (D)	ID (E)	Length (C)	OD 2 (H)	
NIDS000250126L	1"	0.98	0.89	0.73	1.73	NI.DS.0100
NIDS000380126L	1-1/2"	1.50	1.40	0.79	2.28	NI.DS.0150
NIDS000510126L	2"	2.01	1.91	0.79	2.83	NI.DS.0200
NIDS000630166L	2-1/2"	2.50	2.37	0.94	3.46	NI.DS.0250
NIDS000760206L	3"	3.00	2.84	0.94	3.94	NI.DS.0300
NIDS001010206L	4"	4.00	3.84	0.94	5.12	NI.DS.0400

 For Pipe Hanging Systems, refer to pages 59-69.

DS Fittings

ACL® DS Liner

Material
316L / 1.4404



DS Liners

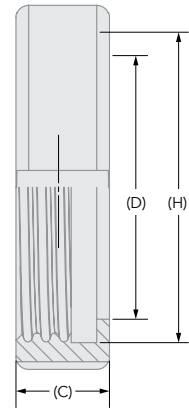
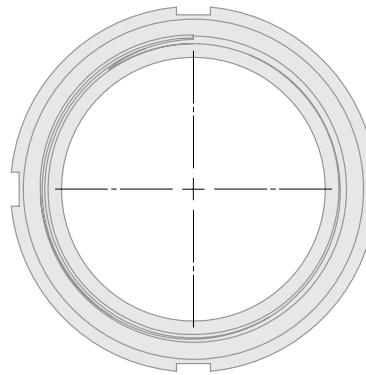
Part Number	Nominal Size	Dimension (Inches)				Legacy Part Number
	Imperial	OD 1 (D)	ID (E)	Length (C)	OD 2 (H)	
LIDS000250126L	1"	0.98	0.89	0.43	1.57	LI.DS.0100
LIDS000380126L	1-1/2"	1.50	1.40	0.43	2.13	LI.DS.0150
LIDS000510126L	2"	2.01	1.91	0.43	2.68	LI.DS.0200
LIDS000630166L	2-1/2"	2.50	2.37	0.47	3.31	LI.DS.0250
LIDS000760206L	3"	3.00	2.84	0.47	3.78	LI.DS.0300
LIDS001010206L	4"	4.00	3.84	0.47	4.88	LI.DS.0400

⚙️ For Pipe Hanging Systems, refer to pages 59-69.

DS Fittings

ACL® DS Nut

Material
304 / 1.4301



DS Nuts

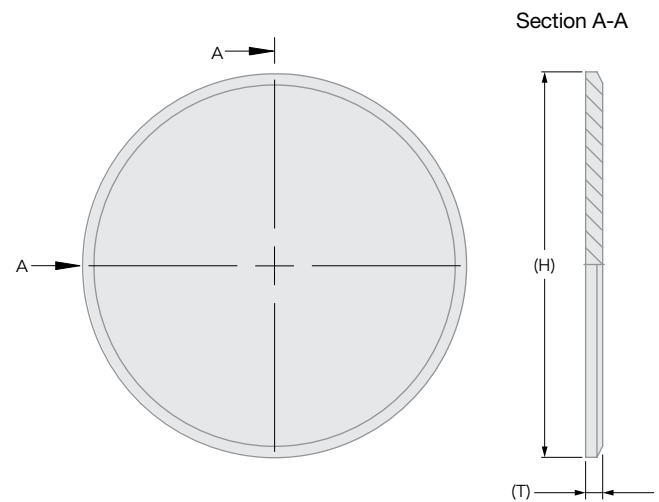
Part Number	Nominal Size		Dimension (Inches)			Legacy Part Number
	Imperial	Metric	Length (C)	OD (H)	ID (D)	
NUDS000250124L	1"	25.00	0.79	1.73	1.38	OM.DS.0100
NUDS000380124L	1-1/2"	38.00	0.79	2.28	1.91	OM.DS.0150
NUDS000510124L	2"	51.00	0.87	2.83	2.46	OM.DS.0200
NUDS000630164L	2-1/2"	63.50	0.94	3.46	3.01	OM.DS.0250
NUDS000760204L	3"	76.10	0.98	3.94	3.48	OM.DS.0300
NUDS001010204L	4"	101.60	1.10	5.12	4.61	OM.DS.0400

 For Pipe Hanging Systems, refer to pages 59-69.

DS Fittings

ACL® DS Blank

Material
316L / 1.4404



DS Nuts

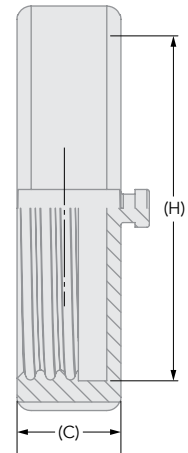
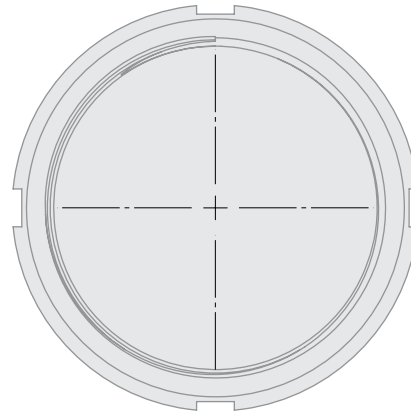
Part Number	Nominal Size		Dimension (Inches)		Legacy Part Number
	Imperial	Metric	Thickness (T)	OD (H)	
BLDS000250126L	1"	25.00	0.12	1.57	BK.DS.0100
BLDS000380126L	1-1/2"	38.00	0.12	2.13	BK.DS.0150
BLDS000510126L	2"	51.00	0.12	2.68	BK.DS.0200
BLDS000630166L	2-1/2"	63.50	0.16	3.31	BK.DS.0250
BLDS000760206L	3"	76.10	0.16	3.78	BK.DS.0300
BLDS001010206L	4"	101.60	0.16	4.88	BK.DS.0400

For Pipe Hanging Systems, refer to pages 59-69.

DS Fittings

ACL® DS Blind Nut With Chain

Material
316L / 1.4404



DS Nuts

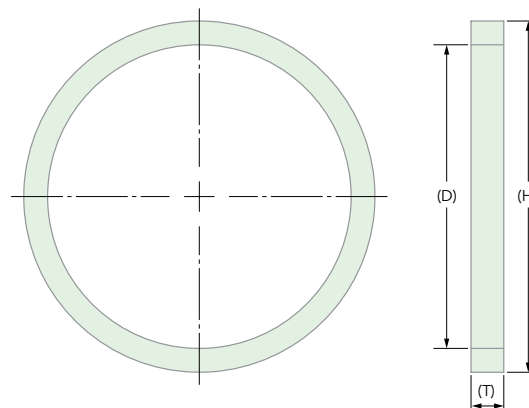
Part Number	Nominal Size		Dimension (Inches)		Legacy Part Number
	Imperial	Metric	Length (C)	ID (H)	
BNDS000250126L	1"	25.00	0.79	1.73	BO.DS.0100
BNDS000380126L	1-1/2"	38.00	0.79	2.28	BO.DS.0150
BNDS000510126L	2"	51.00	0.87	2.83	BO.DS.0200
BNDS000630166L	2-1/2"	63.50	0.94	3.46	BO.DS.0250
BNDS000760206L	3"	76.10	0.98	3.94	BO.DS.0300
BNDS001010206L	4"	101.60	1.10	5.12	BO.DS.0400

 For Pipe Hanging Systems, refer to pages 59-69.

DS Fittings

ACL® DS Union Gasket

EPDM / Nitrile (NBR) / Viton (FKM)



DS Union Gaskets – EPDM

Part Number	Nominal Size		Dimension (Inches)			Legacy Part Number
	Imperial	Metric	OD (H)	ID (D)	Thickness (T)	
GUDS025EK	1"	25.00	1.26	0.98	0.18	PE.DS.0100
GUDS038EK	1-1/2"	38.00	1.85	1.50	0.18	PE.DS.0150
GUDS051EK	2"	51.00	2.32	2.01	0.18	PE.DS.0200
GUDS063EK	2-1/2"	63.50	2.91	2.50	0.18	PE.DS.0250
GUDS076EK	3"	76.10	3.46	3.00	0.18	PE.DS.0300
GUDS101EK	4"	101.60	4.41	4.00	0.18	PE.DS.0400

DS Union Gaskets – Nitrile (NBR)

Part Number	Nominal Size		Dimension (Inches)			Legacy Part Number
	Imperial	Metric	OD (H)	ID (D)	Thickness (T)	
GUDS025NT	1"	25.00	1.26	0.98	0.18	PN.DS.0100
GUDS038NT	1-1/2"	38.00	1.85	1.50	0.18	PN.DS.0150
GUDS051NT	2"	51.00	2.32	2.01	0.18	PN.DS.0200
GUDS063NT	2-1/2"	63.50	2.91	2.50	0.18	PN.DS.0250
GUDS076NT	3"	76.10	3.46	3.00	0.18	PN.DS.0300
GUDS101NT	4"	101.60	4.41	4.00	0.18	PN.DS.0400

DS Union Gaskets – Viton (FKM)

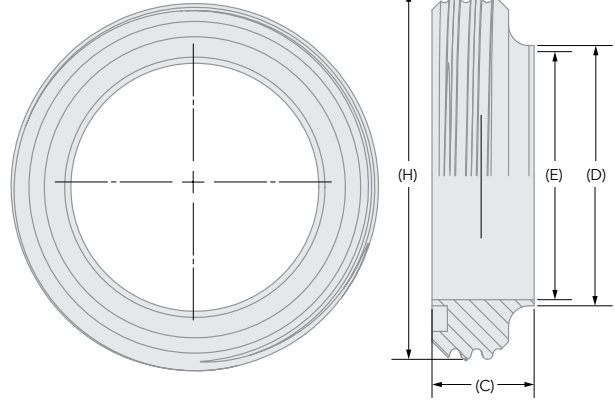
Part Number	Nominal Size		Dimension (Inches)			Legacy Part Number
	Imperial	Metric	OD (H)	ID (D)	Thickness (T)	
GUDS025VB	1"	25.00	1.26	0.98	0.18	PV.DS.0100
GUDS038VB	1-1/2"	38.00	1.85	1.50	0.18	PV.DS.0150
GUDS051VB	2"	51.00	2.32	2.01	0.18	PV.DS.0200
GUDS063VB	2-1/2"	63.50	2.91	2.50	0.18	PV.DS.0250
GUDS076VB	3"	76.10	3.46	3.00	0.18	PV.DS.0300
GUDS101VB	4"	101.60	4.41	4.00	0.18	PV.DS.0400

 For Pipe Hanging Systems, refer to pages 59-69.

SMS Fittings

ACL® SMS Male Long & Short

Material
316L / 1.4404



SMS Males - Long

Part Number	Nominal Size	Dimension (Inches)				Legacy Part Number
	Imperial	OD 1 (D)	ID (E)	Length (C)	OD 2 (H)	
NISMLV0250126L	1"	0.98	0.89	0.75	1.57	NISML0100
NISMLV0380126L	1-1/2"	1.50	1.40	0.91	2.35	NISML0150
NISMLV0510126L	2"	2.01	1.91	0.91	2.75	NISML0200
NISMLV0630166L	2-1/2"	2.50	2.37	1.06	3.34	NISML0250
NISMLV0760206L	3"	3.00	2.76	1.06	3.85	NISML0300
NISMLV1010206L	4"	4.00	3.84	1.18	5.20	NISML0400

SMS Males - Short

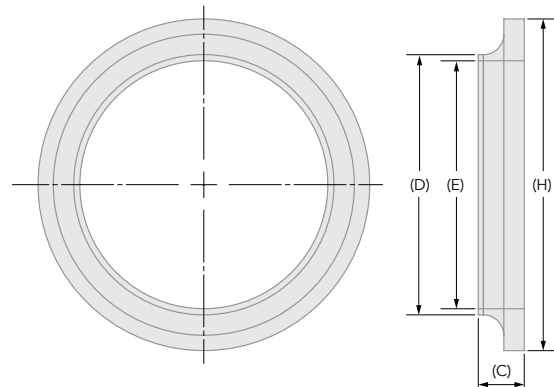
Part Number	Nominal Size	Dimension (Inches)				Legacy Part Number
	Imperial	OD 1 (D)	ID (E)	Length (C)	OD 2 (H)	
NISM000250126L	1"	0.98	0.89	0.59	1.57	NISM0100
NISM000380126L	1-1/2"	1.50	1.40	0.79	2.35	NISM0150
NISM000510126L	2"	2.01	1.91	0.79	2.75	NISM0200
NISM000630166L	2-1/2"	2.50	2.37	0.94	3.34	NISM0250
NISM000760206L	3"	3.00	2.76	0.94	3.85	NISM0300
NISM001010206L	4"	4.00	3.84	0.98	5.20	NISM0400

 For Pipe Hanging Systems, refer to pages 59-69.

SMS Fittings

ACL® SMS Liner Long & Short

Material
316L / 1.4404



SMS Liners – Long

Part Number	Nominal Size	Dimension (Inches)				Legacy Part Number
	Imperial	OD 1 (D)	ID (E)	Length (C)	OD 2 (H)	
LISMLV0250126L	1"	0.98	0.89	0.67	1.40	LISML100
LISMLV0380126L	1-1/2"	1.50	1.40	0.79	2.17	LISML150
LISMLV0510126L	2"	2.01	1.91	0.79	2.56	LISML200
LISMLV0630166L	2-1/2"	2.50	2.37	0.98	3.15	LISML250
LISMLV0760206L	3"	3.00	2.76	1.18	3.66	LISML300
LISMLV1010206L	4"	4.00	3.84	1.38	5.00	LISML400

SMS Liners – Short

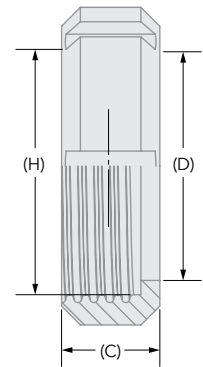
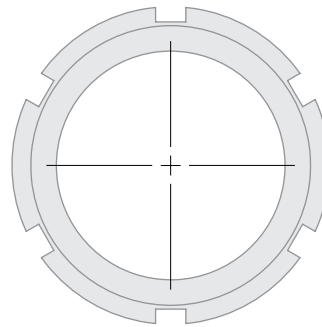
Part Number	Nominal Size	Dimension (Inches)				Legacy Part Number
	Imperial	OD 1 (D)	ID (E)	Length (C)	OD 2 (H)	
LISM000250126L	1"	0.98	0.89	0.30	1.40	LISM0100
LISM000380126L	1-1/2"	1.50	1.40	0.35	2.17	LISM0150
LISM000510126L	2"	2.01	1.91	0.35	2.56	LISM0200
LISM000630166L	2-1/2"	2.50	2.37	0.35	3.15	LISM0250
LISM000760206L	3"	3.00	2.76	0.39	3.66	LISM0300
LISM001010206L	4"	4.00	3.84	0.47	5.00	LISM0400

 For Pipe Hanging Systems, refer to pages 59-69.

SMS Fittings

ACL[®] SMS Nut

Material
304 / 1.4301



SMS Nuts

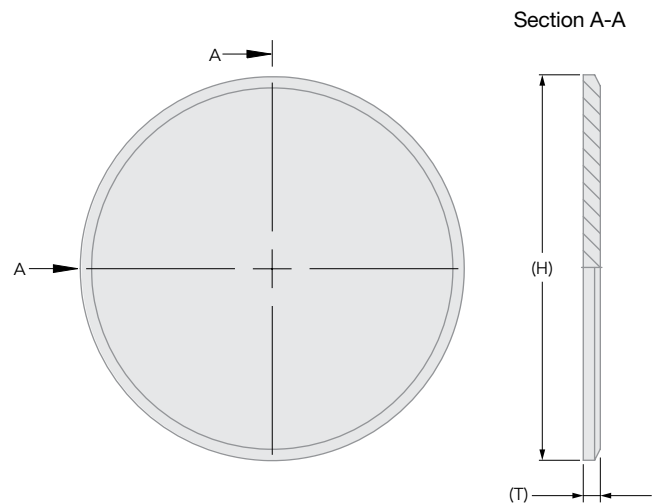
Part Number	Nominal Size Imperial	Dimension (Inches)				Legacy Part Number
		OD 1 (D)	ID (E)	Length (C)	OD 2 (H)	
NUSM000250124L	1"	0.98	1.26	0.79	1.57	OMSM0100
NUSM000380124L	1-1/2"	1.50	1.89	0.98	2.36	OMSM0150
NUSM000510124L	2"	2.01	2.38	1.02	2.76	OMSM0200
NUSM000630164L	2-1/2"	2.50	2.91	1.18	3.35	OMSM0250
NUSM000760204L	3"	3.00	3.43	1.18	3.86	OMSM0300
NUSM001010204L	4"	4.00	4.61	1.18	5.20	OMSM0400

 For Pipe Hanging Systems, refer to pages 59-69.

SMS Fittings

ACL® SMS Blank

Material
316L / 1.4404



DS Nuts

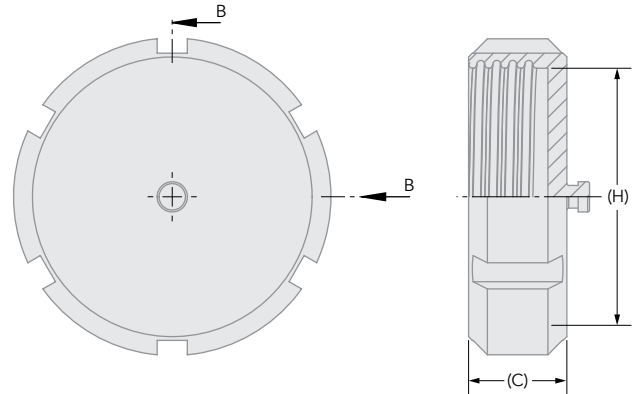
Part Number	Nominal Size		Dimension (Inches)		Legacy Part Number
	Imperial	Metric	Thickness (T)	OD (H)	
BLSM000250126L	1"	25.00	0.12	1.40	BKSM0100
BLSM000380126L	1-1/2"	38.00	0.12	2.17	BKSM0150
BLSM000510126L	2"	51.00	0.12	2.56	BKSM0200
BLSM000630166L	2-1/2"	63.50	0.16	3.15	BKSM0250
BLSM000760206L	3"	76.10	0.16	3.66	BKSM0300
BLSM001010206L	4"	101.60	0.16	5.00	BKSM0400

 For Pipe Hanging Systems, refer to pages 59-69.

SMS Fittings

ACL® SMS Blind Nut With Chain

Material
316L / 1.4404



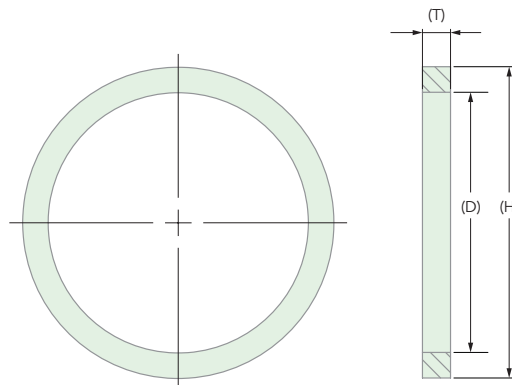
SMS Blind Nuts

Part Number	Nominal Size		Dimension (Inches)		Legacy Part Number
	Imperial	Metric	Length (C)	OD (H)	
BNSM000250126L	1"	25.00	0.79	1.57	BOSM0100
BNSM000380126L	1-1/2"	38.00	0.98	2.36	BOSM0150
BNSM000510126L	2"	51.00	1.02	2.76	BOSM0200
BNSM000630166L	2-1/2"	63.50	1.18	3.35	BOSM0250
BNSM000760206L	3"	76.10	1.18	3.86	BOSM0300
BNSM001010206L	4"	101.60	1.18	5.20	BOSM0400

 For Pipe Hanging Systems, refer to pages 59-69.

SMS Fittings

ACL® SMS Union Gasket EPDM and Nitrile (NBR) Unlipped



SMS Union Gaskets – EPDM Unlipped

Part Number	Nominal Size	Dimension (Inches)			Legacy Part Number
	Imperial	ID (D)	OD (H)	Thickness (T)	
GUULSM025EK	1"	0.98	1.26	0.22	PE.SM.0100
GUULSM038EK	1-1/2"	1.50	1.89	0.22	PE.SM.0150
GUULSM051EK	2"	2.01	2.41	0.22	PE.SM.0200
GUULSM063EK	2-1/2"	2.50	2.89	0.22	PE.SM.0250
GUULSM076EK	3"	3.00	3.39	0.22	PE.SM.0300
GUULSM101EK	4"	4.00	4.49	0.22	PE.SM.0400

SMS Union Gaskets – Nitrile (NBR) Unlipped

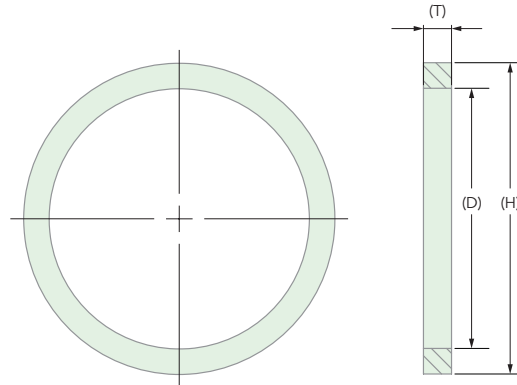
Part Number	Nominal Size	Dimension (Inches)			Legacy Part Number
	Imperial	ID (D)	OD (H)	Thickness (T)	
GUULSM025NT	1"	0.98	1.26	0.22	PNSM0100
GUULSM038NT	1-1/2"	1.50	1.89	0.22	PNSM0150
GUULSM051NT	2"	2.01	2.41	0.22	PNSM0200
GUULSM063NT	2-1/2"	2.50	2.89	0.22	PNSM0250
GUULSM076NT	3"	3.00	3.39	0.22	PNSM0300
GUULSM101NT	4"	4.00	4.49	0.22	PNSM0400

 For Pipe Hanging Systems, refer to pages 59-69.

SMS Fittings

ACL® SMS Union Gasket

Viton (FKM) and PTFE Unlipped



SMS Union Gaskets – Viton (FKM) Unlipped

Part Number	Nominal Size	Dimension (Inches)			Legacy Part Number
	Imperial	ID (D)	Thickness (T)	OD (H)	
GUSM025VB	1"	0.98	0.98	0.22	PVSM0100
GUSM038VB	1-1/2"	1.50	1.50	0.22	PVSM0150
GUSM051VB	2"	2.01	2.01	0.22	PVSM0200
GUSM063VB	2-1/2"	2.50	2.50	0.22	PVSM0250
GUSM076VB	3"	3.00	3.00	0.22	PVSM0300
GUSM101VB	4"	4.00	4.00	0.22	PVSM0400

SMS Union Gaskets – PTFE Unlipped

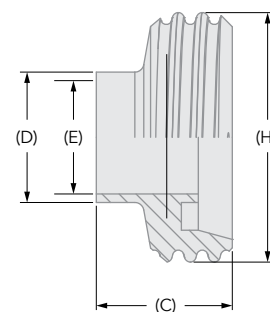
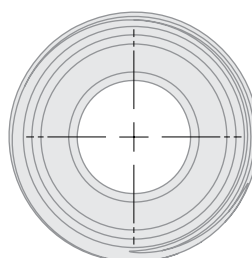
Part Number	Nominal Size	Dimension (Inches)			Legacy Part Number
	Imperial	ID (D)	Thickness (T)	OD (H)	
GUSM025PS	1"	0.98	0.98	0.22	PTSM0100
GUSM038PS	1-1/2"	1.50	1.50	0.22	PTSM0150
GUSM051PS	2"	2.01	2.01	0.22	PTSM0200
GUSM063PS	2-1/2"	2.50	2.50	0.22	PTSM0250
GUSM076PS	3"	3.00	3.00	0.22	PTSM0300
GUSM101PS	4"	4.00	4.00	0.22	PTSM0400

 For Pipe Hanging Systems, refer to pages 59-69.

DIN Fittings

ACL® DIN Male

Material
316L / 1.4404



DIN Males

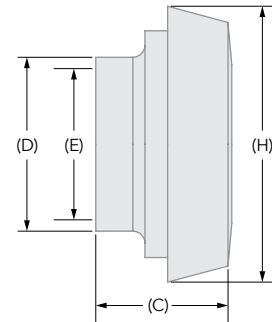
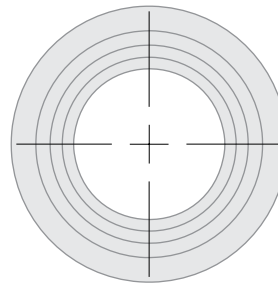
Part Number	Nominal Size Imperial	Dimension (Inches)				Legacy Part Number
		OD 1 (D)	ID (E)	Length (C)	OD 2 (H)	
NIDI000130156L	10	0.51	0.39	0.83	1.10	NIDI0010
NIDI000190156L	15	0.75	0.63	0.83	1.34	NIDI0015
NIDI000230156L	20	0.91	0.79	0.94	1.73	NIDI0020
NIDI000290156L	25	1.14	1.02	1.14	2.05	NIDI0025
NIDI000350156L	32	1.38	1.26	1.26	2.28	NIDI0032
NIDI000410156L	40	1.61	1.50	1.30	2.56	NIDI0040
NIDI000530156L	50	2.09	1.97	1.38	3.07	NIDI0050
NIDI000700206L	65	2.76	2.60	1.57	3.74	NIDI0065
NIDI000850206L	80	3.35	3.19	1.77	4.33	NIDI0080
NIDI001040206L	100	4.09	3.94	2.13	5.12	NIDI0100
NIDI001290206L	125	5.08	4.92	1.81	6.30	NIDI0125
NIDI001540206L	150	6.06	5.91	1.97	7.48	NIDI0150

⚙️ For Pipe Hanging Systems, refer to pages 59-69.

DIN Fittings

ACL[®] DIN Liner

Material
316L / 1.4404



DIN Liners

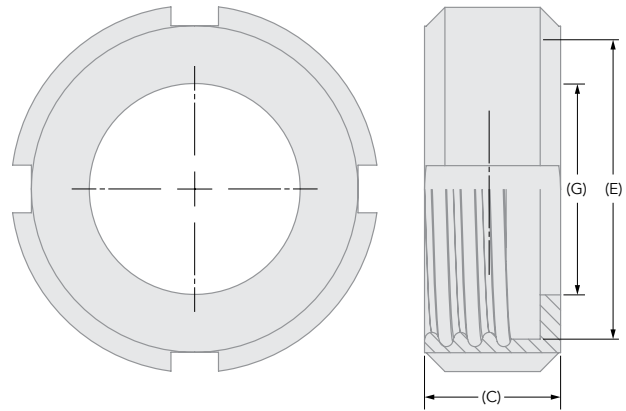
Part Number	Nominal Size Imperial	Dimension (Inches)				Legacy Part Number
		OD 1 (D)	ID (E)	Length (C)	OD 2 (H)	
LIDI000130156L	10	0.51	0.39	0.67	0.87	LIDI0010
LIDI000190156L	15	0.75	0.63	0.67	1.11	LIDI0015
LIDI000230156L	20	0.91	0.79	0.71	1.43	LIDI0020
LIDI000290156L	25	1.14	1.02	0.87	1.73	LIDI0025
LIDI000350156L	32	1.38	1.26	0.98	1.97	LIDI0032
LIDI000410156L	40	1.61	1.50	1.02	2.20	LIDI0040
LIDI000530156L	50	2.09	1.97	1.10	2.70	LIDI0050
LIDI000700206L	65	2.76	2.60	1.26	3.39	LIDI0065
LIDI000850206L	80	3.35	3.19	1.46	3.94	LIDI0080
LIDI001040206L	100	4.09	3.94	1.73	4.76	LIDI0100
LIDI001290206L	125	5.08	4.92	1.34	5.91	LIDI0125
LIDI001540206L	150	6.06	5.91	1.46	6.93	LIDI0150

 For Pipe Hanging Systems, refer to pages 59-69.

DIN Fittings

ACL® DIN Nut

Material
304 / 1.4301



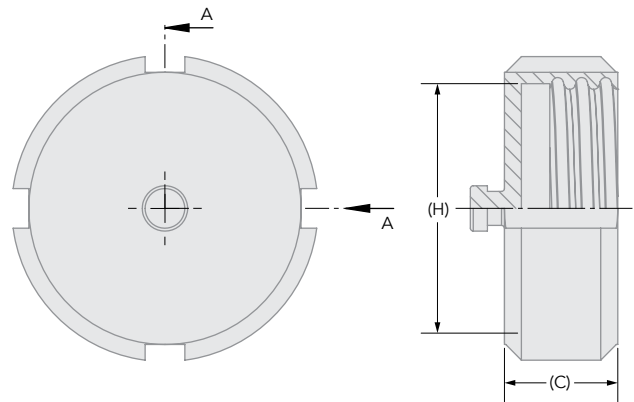
DIN Nuts

Part Number	Nominal Size Imperial	Dimension (Inches)			Legacy Part Number
		ID 1 (E)	ID 2 (G)	Length (C)	
NUDI000130154L	10	1.10	0.75	0.71	OMDI0010
NUDI000190154L	15	1.34	0.98	0.71	OMDI0015
NUDI000230154L	20	1.73	1.22	0.83	OMDI0020
NUDI000290154L	25	2.05	1.42	0.83	OMDI0025
NUDI000350154L	32	2.28	1.65	0.83	OMDI0032
NUDI000410154L	40	2.56	1.93	0.83	OMDI0040
NUDI000530154L	50	3.07	2.44	0.83	OMDI0050
NUDI000700204L	65	3.74	3.15	0.98	OMDI0065
NUDI000850204L	80	4.33	3.70	1.18	OMDI0080
NUDI001040204L	100	5.12	4.53	1.22	OMDI0100
NUDI001290204L	125	6.30	5.43	1.38	OMDI0125
NUDI001540204L	150	7.48	6.46	1.57	OMDI0150

 For Pipe Hanging Systems, refer to pages 59-69.

DIN Fittings

ACL® DIN Blind Nut With Chain



DIN Blind Nuts - With Chain

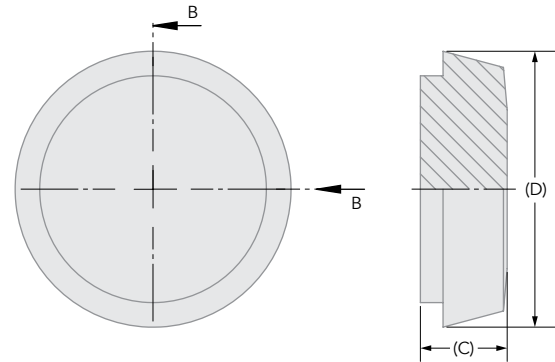
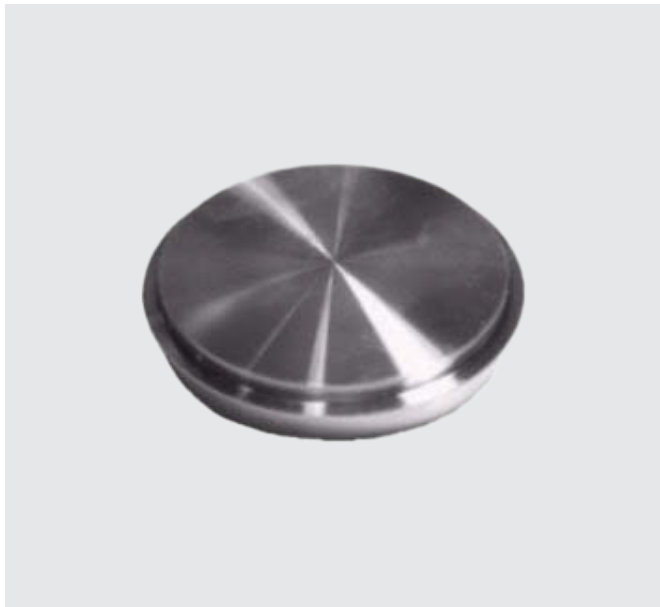
Part Number	Nominal Size DIN	Dimension (Inches)		Legacy Part Number
		ID (H)	Length (C)	
BNDI000130156L	10	1.10	0.71	BODI0010
BNDI000190156L	15	1.34	0.71	BODI0015
BNDI000230156L	20	1.73	0.83	BODI0020
BNDI000290156L	25	2.05	0.83	BODI0025
BNDI000350156L	32	2.28	0.83	BODI0032
BNDI000410156L	40	2.56	0.83	BODI0040
BNDI000530156L	50	3.07	0.83	BODI0050
BNDI000700206L	65	3.74	0.98	BODI0065
BNDI000850206L	80	4.33	1.18	BODI0080
BNDI001040206L	100	5.12	1.22	BODI0100
BNDI001290206L	125	6.30	1.38	BODI0125
BNDI001540206L	150	7.48	1.57	BODI0150

 For Pipe Hanging Systems, refer to pages 59-69.

DIN Fittings

ACL® DIN Blank

Material
316L / 1.4404



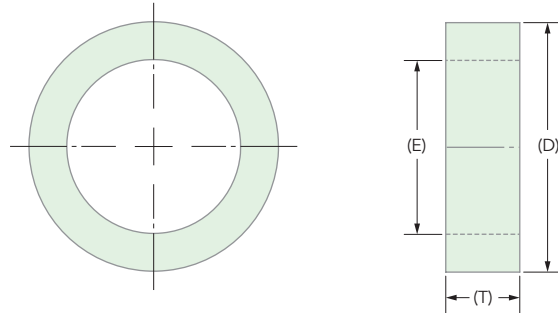
DIN Blanks

Part Number	Nominal Size DIN	Dimension (Inches)		Legacy Part Number
		OD (D)	Length (C)	
BLDI000130156L	10	0.89	0.35	BKDI0010
BLDI000190156L	15	1.12	0.35	BKDI0015
BLDI000230156L	20	1.44	0.43	BKDI0020
BLDI000290156L	25	1.73	0.51	BKDI0025
BLDI000350156L	32	1.97	0.51	BKDI0032
BLDI000410156L	40	2.20	0.51	BKDI0040
BLDI000530156L	50	2.70	0.55	BKDI0050
BLDI000700206L	65	3.39	0.63	BKDI0065
BLDI000850206L	80	3.94	0.63	BKDI0080
BLDI001040206L	100	4.76	0.79	BKDI0100
BLDI001290206L	125	5.91	0.87	BKDI0125
BLDI001540206L	150	6.93	0.94	BKDI0150

 For Pipe Hanging Systems, refer to pages 59-69.

DIN Fittings

ACL® DIN Union Gasket EPDM



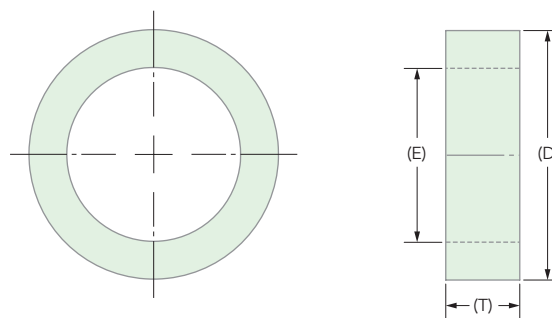
DIN Union Gaskets – EPDM

Part Number	Nominal Size DIN	Dimension (Inches)			Legacy Part Number
		OD (D)	ID (E)	Thickness (T)	
GUDI013EK	10	0.79	0.47	0.18	PE.DI.0010
GUDI019EK	15	1.02	0.71	0.18	PE.DI.0015
GUDI023EK	20	1.30	0.91	0.18	PE.DI.0020
GUDI029EK	25	1.57	1.18	0.20	PE.DI.0025
GUDI035EK	32	1.81	1.42	0.20	PE.DI.0032
GUDI041EK	40	2.05	1.65	0.20	PE.DI.0040
GUDI053EK	50	2.52	2.13	0.20	PE.DI.0050
GUDI070EK	65	3.19	2.80	0.20	PE.DI.0065
GUDI085EK	80	3.74	3.35	0.20	PE.DI.0080
GUDI104EK	100	4.49	4.09	0.24	PE.DI.0100
GUDI129EK	125	5.59	5.12	0.28	PE.DI.0125
GUDI154EK	150	6.57	6.10	0.28	PE.DI.0150

 For Pipe Hanging Systems, refer to pages 59-69.

DIN Fittings

ACL® DIN Union Gasket Nitrile (NBR)



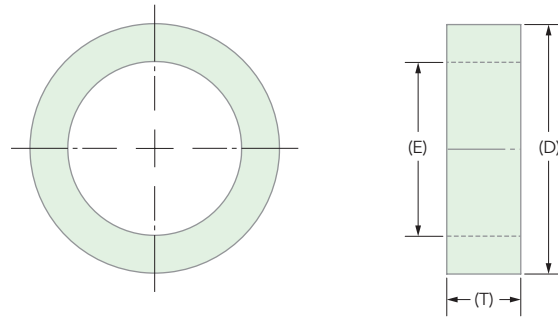
DIN Union Gaskets – Nitrile (NBR)

Part Number	Nominal Size DIN	Dimension (Inches)			Legacy Part Number
		OD (D)	ID (E)	Thickness (T)	
GUDI013BK	10	0.79	0.47	0.18	—
GUDI019BK	15	1.02	0.71	0.18	—
GUDI023BK	20	1.30	0.91	0.18	—
GUDI029BK	25	1.57	1.18	0.20	PN.DI.0025
GUDI035BK	32	1.81	1.42	0.20	—
GUDI041BK	40	2.05	1.65	0.20	PN.DI.0040
GUDI053BK	50	2.52	2.13	0.20	PN.DI.0050
GUDI070BK	65	3.19	2.80	0.20	PN.DI.0065
GUDI085BK	80	3.74	3.35	0.20	PN.DI.0080
GUDI104BK	100	4.49	4.09	0.24	PN.DI.0100
GUDI129BK	125	5.59	5.12	0.28	—
GUDI154BK	150	6.57	6.10	0.28	—

 For Pipe Hanging Systems, refer to pages 59-69.

DIN Fittings

ACL® DIN Union Gasket Viton (FKM)



DIN Union Gaskets – Viton (FKM)

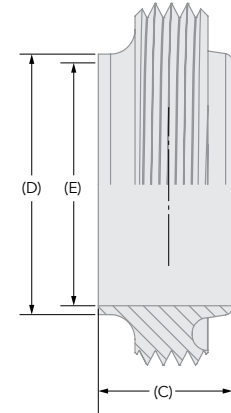
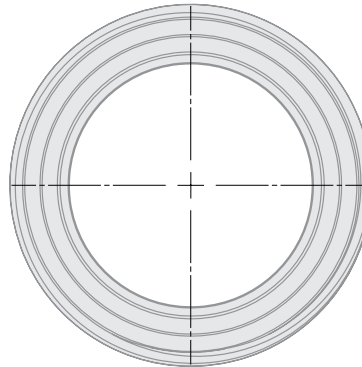
Part Number	Nominal Size DIN	Dimension (Inches)			Legacy Part Number
		OD (D)	ID (E)	Thickness (T)	
GUDI013VB	10	0.79	0.47	0.18	—
GUDI019VB	15	1.02	0.71	0.18	—
GUDI023VB	20	1.30	0.91	0.18	—
GUDI029VB	25	1.57	1.18	0.20	PV.DI.0025
GUDI035VB	32	1.81	1.42	0.20	—
GUDI041VB	40	2.05	1.65	0.20	PV.DI.0040
GUDI053VB	50	2.52	2.13	0.20	PV.DI.0050
GUDI070VB	65	3.19	2.80	0.20	PV.DI.0065
GUDI085VB	80	3.74	3.35	0.20	PV.DI.0080
GUDI104VB	100	4.49	4.09	0.24	PV.DI.0100
GUDI129VB	125	5.59	5.12	0.28	—
GUDI154VB	150	6.57	6.10	0.28	—

 For Pipe Hanging Systems, refer to pages 59-69.

RJT Fittings

ACL® RJT Male

Material
316L / 1.4404



RJT Males

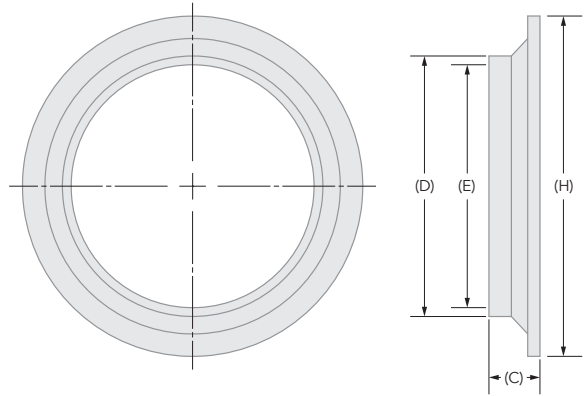
Part Number	Nominal Size	Dimension (Inches)			Legacy Part Number
	Imperial	OD (D)	ID (E)	Length (C)	
LIRJ000250126L	1"	1.00	0.87	0.85	LIRJ0100
LIRJ000380126L	1-1/2"	1.50	1.37	0.85	LIRJ0150
LIRJ000510126L	2"	2.00	1.87	0.85	LIRJ0200
LIRJ000630166L	2-1/2"	2.50	2.37	0.85	LIRJ0250
LIRJ000760206L	3"	3.00	2.87	0.85	LIRJ0300
LIRJ001010206L	4"	4.02	3.84	0.85	LIRJ0400

 For Pipe Hanging Systems, refer to pages 59-69.

RJT Fittings

ACL® RJT Liner

Material
316L / 1.4404



RJT Liners

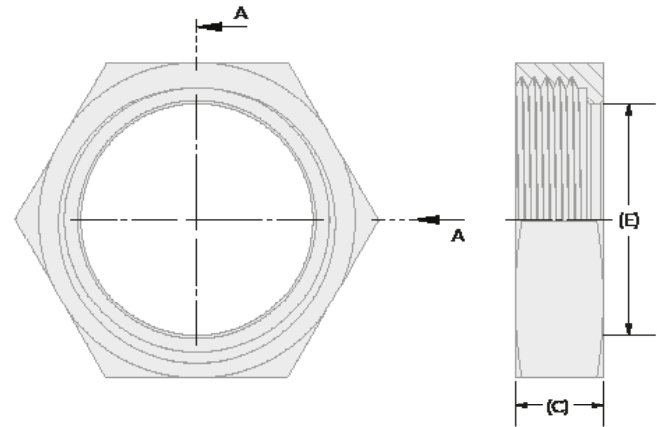
Part Number	Nominal Size Imperial	Dimension (Inches)				Legacy Part Number
		OD 1 (D)	ID (E)	Length (C)	OD 2 (H)	
NIRJ000250126L	1"	1.00	0.87	0.50	1.57	NIRJ0100
NIRJ000380126L	1-1/2"	1.50	1.37	0.50	2.13	NIRJ0150
NIRJ000510126L	2"	2.00	1.87	0.50	2.68	NIRJ0200
NIRJ000630166L	2-1/2"	2.50	2.37	0.50	3.31	NIRJ0250
NIRJ000760206L	3"	3.00	2.87	0.50	3.78	NIRJ0300
NIRJ001010206L	4"	4.02	3.84	1.00	4.88	NIRJ0400

 For Pipe Hanging Systems, refer to pages 59-69.

RJT Fittings

ACL® RJT Nut Hex

Material
304 / 1.4301



RJT Nuts - Hex

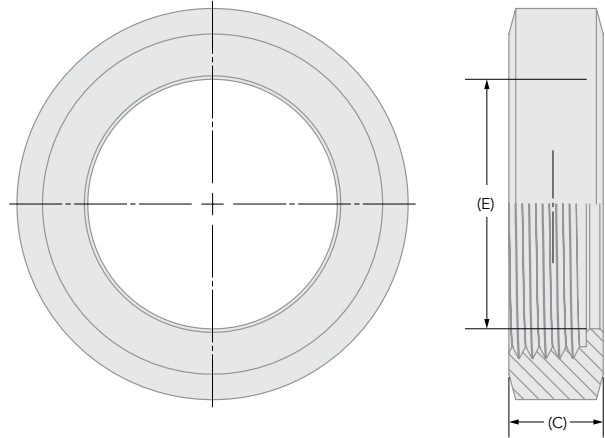
Part Number	Nominal Size		Dimension (Inches)		Legacy Part Number
	Imperial	Metric	ID (E)	Length (C)	
NURJHX0250124L	1"	25.40	0.87	0.87	OMRJ0100
NURJHX0380124L	1-1/2"	38.10	1.37	0.87	OMRJ0150
NURJHX0510124L	2"	50.80	1.87	0.87	OMRJ0200
NURJHX0630164L	2-1/2"	63.50	2.37	0.87	OMRJ0250
NURJHX0760204L	3"	76.20	2.87	0.87	OMRJ0300
NURJHX1010204L	4"	102.00	3.84	0.87	OMRJ0400

 For Pipe Hanging Systems, refer to pages 59-69.

RJT Fittings

ACL® RJT Nut Round

Material
304 / 1.4301



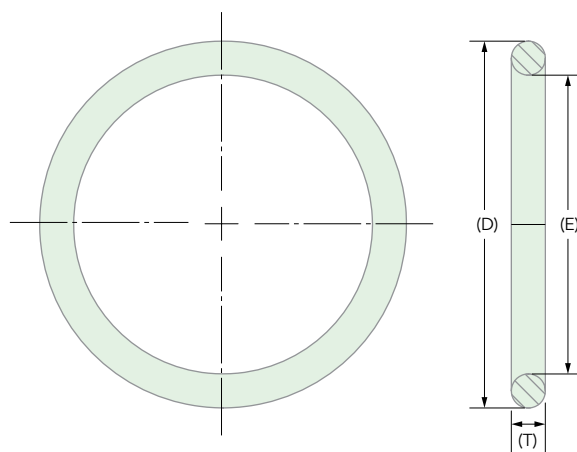
RJT Nuts - Round

Part Number	Nominal Size		Dimension (Inches)		Legacy Part Number
	Imperial	Metric	ID (E)	Length (C)	
NURJ000250124L	1"	25.40	0.87	0.87	OMRJ0100R
NURJ000380124L	1-1/2"	38.10	1.37	0.87	OMRJ0150R
NURJ000510124L	2"	50.80	1.87	0.87	OMRJ0200R
NURJ000630164L	2-1/2"	63.50	2.37	0.87	OMRJ0250R
NURJ000760204L	3"	76.20	2.87	0.87	OMRJ0300R
NURJ001010204L	4"	102.00	3.84	0.87	OMRJ0400R

 For Pipe Hanging Systems, refer to pages 59-69.

RJT Fittings

ACL® RJT Union Gasket EPDM Flat-faced / EPDM



RJT Union Gaskets – EPDM Flat-faced (available on request only)

Part Number	Nominal Size	Dimension (Inches)			Legacy Part Number
	Imperial	OD (D)	ID (E)	Thickness (T)	
GUFFRJ025EK	1"	1.57	1.05	0.26	PERJFL0100
GUFFRJ038EK	1-1/2"	2.08	1.55	0.26	PERJFL0150
GUFFRJ051EK	2"	2.57	2.05	0.26	PERJFL0200
GUFFRJ063EK	2-1/2"	3.07	2.55	0.26	PERJFL0250
GUFFRJ076EK	3"	3.57	3.05	0.26	PERJFL0300
GUFFRJ101EK	4"	4.57	4.05	0.26	PERJFL0400

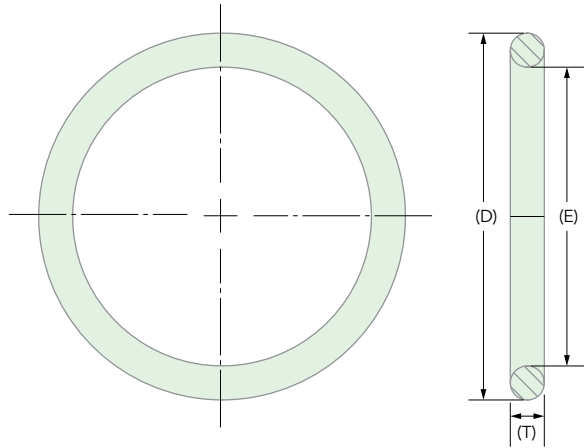
RJT Union Gaskets – EPDM

Part Number	Nominal Size	Dimension (Inches)			Legacy Part Number
	Imperial	OD (D)	ID (E)	Thickness (T)	
GURJ025EK	1"	1.57	1.05	0.26	PERJ0100
GURJ038EK	1-1/2"	2.08	1.55	0.26	PERJ0150
GURJ051EK	2"	2.57	2.05	0.26	PERJ0200
GURJ063EK	2-1/2"	3.07	2.55	0.26	PERJ0250
GURJ076EK	3"	3.57	3.05	0.26	PERJ0300
GURJ101EK	4"	4.57	4.05	0.26	PERJ0400

 For Pipe Hanging Systems, refer to pages 59-69.

RJT Fittings

ACL® RJT Union Gasket NBR



RJT Union Gaskets – NBR

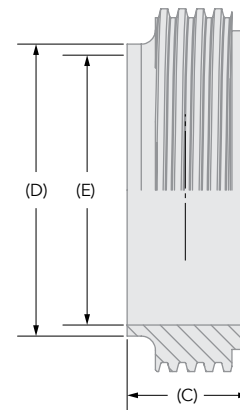
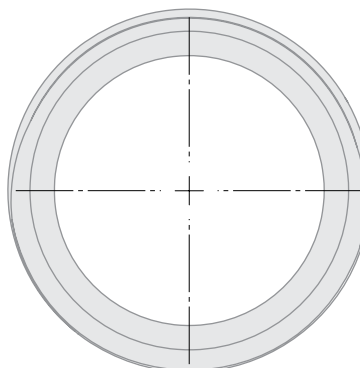
Part Number	Nominal Size	Dimension (Inches)			Legacy Part Number
		OD (D)	ID (E)	Thickness (T)	
GURJ025NT	1"	1.57	1.05	0.26	PNRJ0100
GURJ038NT	1-1/2"	2.08	1.55	0.26	PNRJ0150
GURJ051NT	2"	2.57	2.05	0.26	PNRJ0200
GURJ063NT	2-1/2"	3.07	2.55	0.26	PNRJ0250
GURJ076NT	3"	3.57	3.05	0.26	PNRJ0300
GURJ101NT	4"	4.57	4.05	0.26	PNRJ0400

 For Pipe Hanging Systems, refer to pages 59-69.

IDF Fittings

ACL® IDF Male

Material
316 / 1.4401



IDF Males

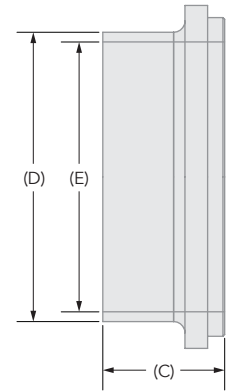
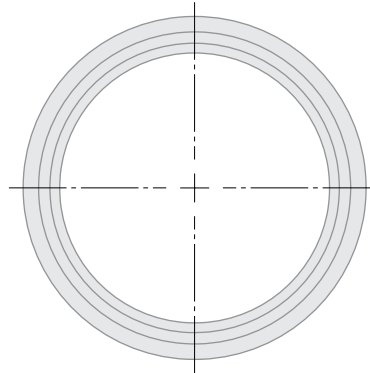
Part Number	Nominal Size	Dimension (Inches)			Legacy Part Number
	Imperial	OD (D)	ID (E)	Length (C)	
NIID000250126L	1"	1.00	0.87	0.85	NIID0100
NIID000380126L	1-1/2"	1.50	1.37	0.85	NIID0150
NIID000510126L	2"	2.00	1.87	0.85	NIID0200
NIID000630166L	2-1/2"	2.50	2.37	0.85	NIID0250
NIID000760206L	3"	3.00	2.87	0.85	NIID0300
NIID001010206L	4"	4.02	3.84	1.18	NIID0400

 For Pipe Hanging Systems, refer to pages 59-69.

IDF Fittings

ACL® IDF Liner

Material
316L / 1.4404



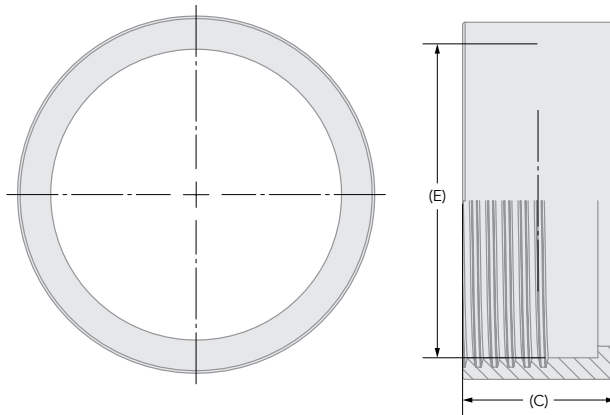
IDF Liners

Part Number	Nominal Size Imperial	Dimension (Inches)			Legacy Part Number
		OD (D)	ID (E)	Length (C)	
LIID000250126L	1"	1.00	0.87	0.85	LIID0100
LIID000380126L	1-1/2"	1.50	1.37	0.85	LIID0150
LIID000510126L	2"	2.00	1.87	0.85	LIID0200
LIID000630166L	2-1/2"	2.50	2.37	0.85	LIID0250
LIID000760206L	3"	3.00	2.87	0.85	LIID0300
LIID001010206L	4"	4.02	3.84	1.18	LIID0400

 For Pipe Hanging Systems, refer to pages 59-69.

IDF Fittings

ACL® IDF Nut Round



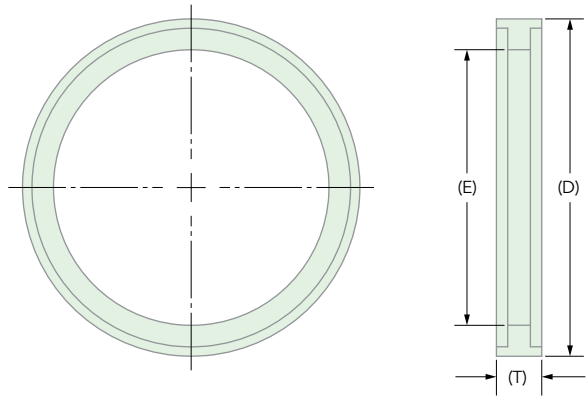
IDF Nuts

Part Number	Nominal Size		Dimension (Inches)		Legacy Part Number
	Imperial	Metric	ID (E)	Length (C)	
NUID000250124L	1"	25.40	1.35	1.18	OMID0100
NUID000380124L	1-1/2"	38.10	1.88	1.18	OMID0150
NUID000510124L	2"	50.80	2.44	1.18	OMID0200
NUID000630164L	2-1/2"	63.50	2.95	1.18	OMID0250
NUID000760204L	3"	76.20	3.48	1.18	OMID0300
NUID001010204L	4"	102.00	4.80	1.38	OMID0400

 For Pipe Hanging Systems, refer to pages 59-69.

IDF Fittings

ACL® IDF Union Gasket EPDM L-shaped / T-shaped



IDF Union Gaskets – EPDM L-shaped

Part Number	Nominal Size	Dimension (Inches)			Legacy Part Number
	Imperial	OD (D)	ID (E)	Thickness (T)	
GULSID025EK	1"	1.28	0.91	0.20	PEID0100-L
GULSID038EK	1-1/2"	1.81	1.41	0.20	PEID0150-L
GULSID051EK	2"	2.34	1.91	0.20	PEID0200-L
GULSID063EK	2-1/2"	2.87	2.41	0.20	PEID0250-L
GULSID076EK	3"	3.41	2.91	0.20	PEID0300-L
GULSID101EK	4"	4.69	3.88	0.20	PEID0400-L

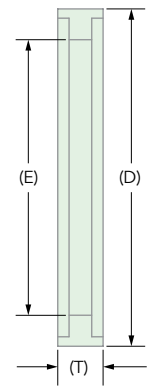
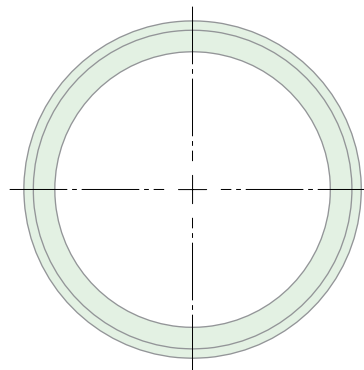
IDF Union Gaskets – EPDM T-shaped

Part Number	Nominal Size	Dimension (Inches)			Legacy Part Number
	Imperial	OD (D)	ID (E)	Thickness (T)	
GUTSID025EK	1"	1.28	0.91	0.20	PEID0100
GUTSID038EK	1-1/2"	1.81	1.41	0.20	PEID0150
GUTSID051EK	2"	2.34	1.91	0.20	PEID0200
GUTSID063EK	2-1/2"	2.87	2.41	0.20	PEID0250
GUTSID076EK	3"	3.41	2.91	0.20	PEID0300
GUTSID101EK	4"	4.69	3.88	0.20	PEID0400

 For Pipe Hanging Systems, refer to pages 59-69.

IDF Fittings

ACL® IDF Union Gasket NBR L-shaped / T-shapedn



IDF Union Gaskets – NBR L-shaped

Part Number	Nominal Size	Dimension (Inches)			Legacy Part Number
	Imperial	OD (D)	ID (E)	Thickness (T)	
GULSID025NT	1"	1.28	0.91	0.20	PNID0100-L
GULSID038NT	1-1/2"	1.81	1.41	0.20	PNID0150-L
GULSID051NT	2"	2.34	1.91	0.20	PNID0200-L
GULSID063NT	2-1/2"	2.87	2.41	0.20	PNID0250-L
GULSID076NT	3"	3.41	2.91	0.20	PNID0300-L
GULSID101NT	4"	4.69	3.88	0.20	—

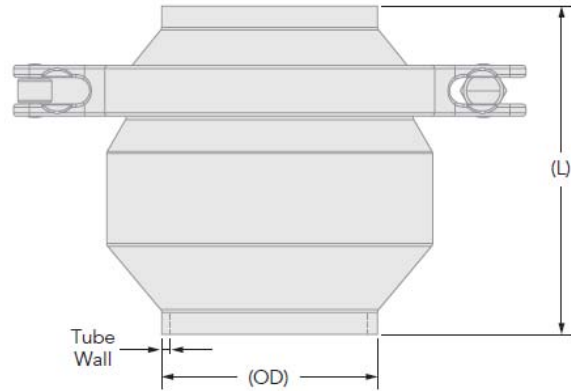
IDF Union Gaskets – NBR T-shaped

Part Number	Nominal Size	Dimension (Inches)			Legacy Part Number
	Imperial	OD (D)	ID (E)	Thickness (T)	
GUTSID025NT	1"	1.28	0.91	0.20	—
GUTSID038NT	1-1/2"	1.81	1.41	0.20	—
GUTSID051NT	2"	2.34	1.91	0.20	PNID0200
GUTSID063NT	2-1/2"	2.87	2.41	0.20	—
GUTSID076NT	3"	3.41	2.91	0.20	PNID0300
GUTSID101NT	4"	4.69	3.88	0.20	PNID0400

 For Pipe Hanging Systems, refer to pages 59-69.

Miscellaneous Fittings

ACL® ISO NRV Clamp



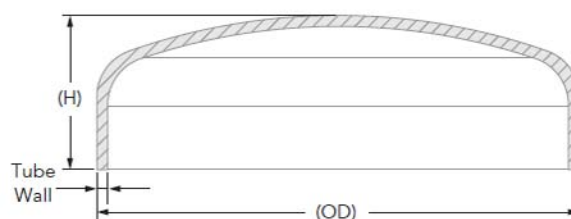
ISO NRV Clamps

Part Number	Nominal Size	Dimension (Inches)			Open Bar	Legacy Part Number
	Imperial	OD	Tube Wall	B		
VANRDW025SD06	1"	0.98	0.06	2.72	0.1-0.2	NRV.E0100
VANRDW038SD06	1-1/2"	1.50	0.06	3.19	0.1-0.2	NRV.E0150
VANRDW051SD06	2"	2.01	0.06	3.54	0.1-0.2	NRV.E0200
VANRDW063SD06	2-1/2"	2.50	0.06	3.74	0.1-0.3	NRV.E0250
VANRDW076SD06	3"	3.00	0.06	4.53	0.1-0.3	NRV.E0300
VANRDW101SD06	4"	4.00	0.09	6.10	0.1-0.4	NRV.E0400

 For Pipe Hanging Systems, refer to pages 59-69.

Miscellaneous Fittings

ACL® End Cap



End Caps

Part Number	Nominal Size	Dimension (Inches)			Legacy Part Number
		OD	Tube Wall	H	
DWWCS8025012SD06	1"	0.98	0.05	0.47	EC.IS.0100
DWWCS8038012SD06	1-1/2"	1.50	0.05	0.59	EC.IS.0150
DWWCS8051012SD06	2"	2.01	0.05	0.75	EC.IS.0200
DWWCS8063016SD06	2-1/2"	2.50	0.06	0.75	EC.IS.0250
DWWCS8076016SD06	3"	3.00	0.06	1.06	EC.IS.0300
DWWCS8101020SD06	4"	4.00	0.08	0.96	EC.IS.0400
DWWCS8101020SD06	125	129.00	2.00	34.00	EC.DI.0125
DWWCS8101020SD06	150	154.00	2.00	41.00	EC.DI.0150

 For Pipe Hanging Systems, refer to pages 59-69.

Miscellaneous Fittings

ACL® Spanner



Spanners

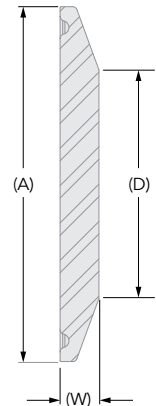
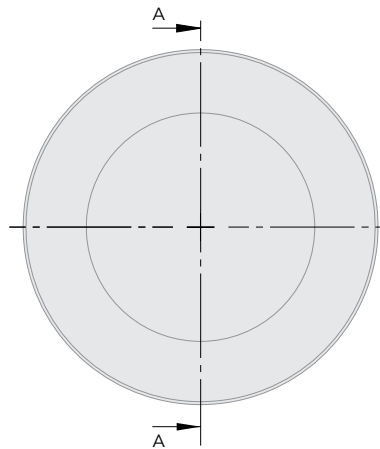
Part Number	Nominal Size	Dimension (Inches)		Legacy Part Number
		Size (Inches)	Size (DIN)	
SPSM051SD06	Small	0.98 - 2	0.98 - 1.97	HN.DS.02540
SPLR101SD06	Large	2 - 4	1.97 - 3.94	HN.DS.50100

 For Pipe Hanging Systems, refer to pages 59-69.

Blanks

ACL® Blank

Material
316 / 1.4401



Blanks

Part Number	Nominal Size	Dimension (Inches)			Weight (kg)	Legacy Part Number
	Imperial	Face (D)	Flange (A)	Width (W)		
BKBDB4025SD6L	1/2"	0.49	1.00	0.22	0.04	BKD.0050
BKBDDA034SD6L	DIN 10	0.61	1.34	0.28	0.07	BKD.D010
BKBDB4050SD6L	1 - 1-1/2"	0.96	1.99	0.28	0.18	BKD.0100
BKBDB4064SD6L	2"	1.54	2.52	0.28	0.31	BKD.0200
BKBDB4077SD6L	2-1/2"	2.11	3.05	0.28	0.46	BKD.0250
BKBDB4091SD6L	3"	2.62	3.58	0.28	0.66	BKD.0300
BKBDB4106SD6L	3-1/2"	3.19	4.17	0.35	0.93	BKD.0350
BKBDB4119SD6L	4"	3.23	4.69	0.35	1.43	BKD.0400
BKBDB4130SD6L	4-1/2"	3.74	5.12	0.39	1.70	BKD.0450
BKBDB4144SD6L	5"	4.17	5.69	0.39	2.43	BKD.0500
BKBDB4155SD6L	5-1/2"	5.12	6.10	0.39	2.89	BKD.0550
BKBDB4167SD6L	6"	5.51	6.57	0.39	3.59	BKD.0600
BKBDB4183SD6L	6-5/8"	6.22	7.20	0.39	4.28	BKD.0658
BKBDB4217SD6L	8"	7.48	8.56	0.39	6.11	BKD.0800
BKBDB4233SD6L	8-5/8"	8.11	9.19	0.39	7.14	BKD.0858
BKBDB4268SD6L	10"	9.49	10.55	0.39	9.44	BKD.1000
BKBDB4286SD6L	10-5/8"	10.28	11.26	0.39	10.85	BKD.1058
BKBDB4319SD6L	12"	12.24	12.56	0.39	15.17	BKD.1200
BKBDB4338SD6L	12-5/8"	12.95	13.33	0.39	19.18	BKD.1258

 For Pipe Hanging Systems, refer to pages 59-69.

ISSUE DATE: September 29, 2023

CERTIFICATE AUTHORIZATION NUMBER: 3961



THIS IS TO CERTIFY THAT

Campbell Fittings

301 S. Washington St, Boyertown, PA 19512

is hereby authorized to continue to apply the
3-A Symbol to the models of equipment, conforming to 3-A Sanitary Standards for:

Number 62-02
62-02 (Hose Assemblies)

set forth below

Both CIP and COP Models:
CFA with FSS couplings and sleeves/collars
CFB with SAN couplings and sleeves/collars
Both FFS & SAN couplings include integral ferrule and shank.
Sizes ¾, 1, 1½, 2, 2½, 3, 4 inch

VALID THROUGH: **December 31, 2024**

The issuance of this authorization for the use of the 3-A Symbol is based upon the voluntary certification, by the applicant for it, that the equipment listed above complies fully with the 3-A Sanitary Standard(s) designated. Legal responsibility for compliance is solely that of the holder of this Certificate of Authorization, and 3-A Sanitary Standards, Inc. does not warrant that the holder of an authorization at all times complies with the provisions of the said 3-A Sanitary Standards. This in no way affects the responsibility of 3-A Sanitary Standards, Inc. to take appropriate action in such cases in which evidence of nonconformance has been established.

NEXT TPV INSPECTION/REPORT DUE: **August 2028**

Initially Issued: 04/09/2021

Certificate No.: 70

3-A Sanitary Standards, Inc.

Replacement Parts and System Component Qualification Certificate

This Is To Acknowledge That

Campbell Fittings

301 S. Washington St, Boyertown, PA 19512

Has successfully met the requirements of the Replacement Parts and System Component
Qualification Certificate program for:

Type of Part(s): 3-A RPSCQC for (00-01) General Requirements, 3-A RPSCQC for (62-02) Hose
Assemblies, 3-A RPSCQC for (63-03) Sanitary Fittings

Model Designations: Stainless Steel Sanitary TC Fittings and Machined Ferrules (CIP) Master List 1. Brewery Hose Adapter Tri-Clamp 304: BATC-4, BATC-6, BATC-8, BATC-12 and BATC-16 2. Rubber Hose Adapter Tri-Clamp 316: RATC-4X2, RATC-4x3, RATC-4, RATC-6x2, RATC-6x58, RATC-6x3, RATC-6x4, RATC-6, RATC-8x6, RATC-8, RATC-10, RATC-12 and RATC-16 3. Tri-Clamp Short Weld 316: TCSW-2, TCSW-3, TCSW-4, TCSW-6, TCSW-8, TCSW-10, TCSW-12 and TCSW-16 4. Tri Clamp Long Weld 316: TCLW-2, TCLW-3, TCLW-4, TCLW-6, TCLW-8, TCLW-10, TCLW-12 and TCLW-16 5. Tri-Clamp Crimp Hose Ends 316: TC-4C, TC-6C, TC-8C, TC-10C, TC-12C, TC-16C and TCR6X4C 6. Machined Ferrules 304: SAN100, SAN150, SAN200, SAN250, SAN300 and SAN400

Valid through: December 31, 2024

Timothy R. Rugh
Executive Director, 3-A sanitary Standards, Inc.

The issuance of this certificate is based upon the voluntary certification, by the applicant for it, that the processing system listed herein conforms to the applicable provisions of the currently effective 3-A Standard(s) or 3-A Accepted Practice(s). Legal responsibility for conformance is solely that of the holder of this Certificate. 3-A Sanitary Standards, Inc. does not warrant that the holder of a certificate at all times conforms to the applicable provisions of the said 3-A Accepted Practice. This in no way affects the responsibility of 3-A Sanitary Standards, Inc. to take appropriate action in such cases in which evidence of nonconformance has been established.

Next TPV Inspection/Report due: **April 2026**



800-367-3678

USAsales@advanced-couplings.com

aclhygienic.com



800-367-3678

sales@campbellfittings.com

campbellfittings.com



ACL Hygienic is part of the Ideal Tridon Group. Learn more at idealtridongroup.com

© 2024 All rights reserved, Ideal Tridon Group

Version 1 - 8.20.24