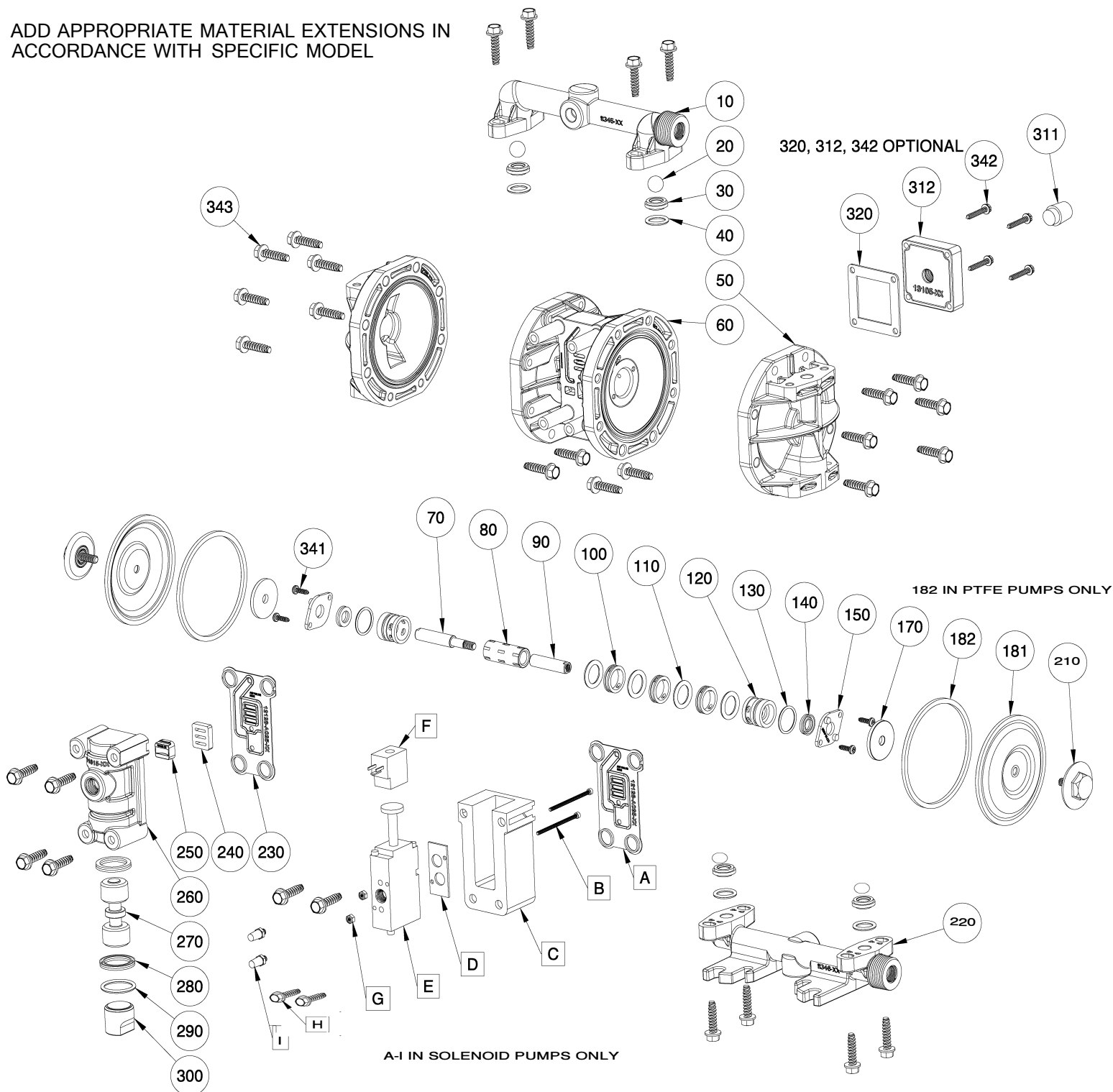


EXPLODED VIEW & PARTS LIST

A025-SP*_****_*** BOLTED PLASTIC

BOM FOR 1/4" STANDARD PUMP (A025)

ADD APPROPRIATE MATERIAL EXTENSIONS IN ACCORDANCE WITH SPECIFIC MODEL



PARTS LIST - BOLTED PLASTIC

A025-SP*_*****_***

NO.	DESCRIPTION	QTY	PUMP MODEL	PART NO.	MATERIAL
10	DISCHARGE MANIFOLD	1	A025-SPP-*_*****_*** A025-SPK-*_*****_***	11345-40 11345-56	Polypropylene PVDF
20	BALL	4	A025-SP*_*G**_*** A025-SP*_*S**_*** A025-SP*_*T**_***	11001-19 11001-23 11001-59	Geolast® Santoprene® PTFE
30	VALVE SEAT	4	A025-SPP-*_*P**_*** A025-SPK-*_*K**_***	10924-ROD-40 10924-ROD-56	Polypropylene PVDF
40	O-RING (Valve Seat)	4	A025-SP*_*N**_*** A025-SP*_*V**_*** A025-SP*_*E**_*** A025-SP*_*T**_***	11954-11 11954-13 11954-15 11954-17	Nitrile Viton®/FKM EPDM PTFE
50	OUTER CHAMBER	2	A025-SPP-*_*****_*** A025-SPK-*_*****_***	10728-40 10728-56	Polypropylene PVDF
60	INTERMEDIATE	1	ALL MODELS	11502-40	Polypropylene
70 & 90	DIAPHRAGM ROD ASSEMBLY	1	ALL MODELS	35008-00	Stainless Steel
80	PILOT SLEEVE	1	ALL MODELS	10109-31	Acetal
100	INNER SPACER (Pilot Sleeve)	3	ALL MODELS	10211-40	Polypropylene
110	O-RING (Pilot Sleeve)	4	ALL MODELS	11929-16	Urethane
120	END SPACER (Pilot Sleeve)	2	ALL MODELS	10210-40	Polypropylene
130	O-RING (End Spacer)	2	ALL MODELS	11955-11	Nitrile
140	LIP SEAL (Diaphragm Rod)	2	ALL MODELS	12005-76	Nitrile
150	RETAINING PLATE	2	ALL MODELS	12710-A025-60	Polypropylene
170	INNER DIAPHRAGM PLATE	2	ALL MODELS	11105-25	Plated Steel
181	DIAPHRAGM	2	A025-SP*_*G**_*** A025-SP*_*S**_*** A025-SP*_*T**_***	10604-19 10604-23 10604-59	Geolast® Santoprene® PTFE
182	DIAPHRAGM O-RING (PTFE ONLY)	2	A025-SP*_*T**_***	10606-23	Santoprene®
210	OUTER DIAPHRAGM PLATE W/ THREADED STUD	2	A025-SPP-*_*****_*** A025-SPK-*_*****_***	11205-A025-40 11205-A025-56	Polypropylene PVDF
220	SUCTION MANIFOLD	1	A025-SPP-*_*****_*** A025-SPK-*_*****_***	11346-40 11346-56	Polypropylene PVDF
230	AIR VALVE GASKET	1	ALL MODELS	12128-A025-11	Nitrile
240	SHUTTLE PLATE	1	ALL MODELS	10419-A025-77	Ceramic
250	SHUTTLE	1	ALL MODELS	10432-35	Special
260	AIR VALVE BODY	1	ALL MODELS	11615-40	Polypropylene
270	AIR VALVE SPOOL	1	ALL MODELS	10484-31	Acetal

PARTS LIST - BOLTED PLASTIC

A025-SP*-****-***

NO.	DESCRIPTION	QTY	PUMP MODEL	PART NO.	MATERIAL
280	LIP SEAL (Air Valve)	2	ALL MODELS	12002-76	Nitrile
290	O-RING (Valve Plug)	1	ALL MODELS	11904-11	Nitrile
300	AIR VALVE END PLUG	1	ALL MODELS	11707-40	Polypropylene
311	MUFFLER	1	ALL MODELS	13003-00	Polypropylene
312	MUFFLER PLATE	1	OPTIONAL*	13105-40	Polypropylene
320	GASKET (Muffler Plate)	1	OPTIONAL*	12129-11	Nitrile
341	SCREW (#6 x 1/2")	4	ALL MODELS	12510-26	Stainless Steel
342	SCREW (#8 x 1")	4	OPTIONAL*	12525-26	Stainless Steel
343	SCREW (1/4" - 10 x 1")	28	ALL MODELS	12562-26	Stainless Steel

* Sold as part of 56000-00, Submersion Kit

OPTIONAL SOLENOID CONTROL VALVE

	Part Number	Description	QTY
A	12128-A025-11	Gasket-Air Valve-A025-Buna	1
B	12591-26	Screw-SHCS #4-40X2.00"-SS	2
C	13456-31	Adapter-Plate-Solenoid-A025	1
D	12132-11	Gasket-Solenoid-A025-Buna	1
E	13453-00	Valve-Solenoid-4-Way-A025	1
F	13454-10	Coil-Solenoid-A025 - 110 VAC	1
	13454-12	Coil-Solenoid-A025 - 12 VDC	1
	13454-20	Coil-Solenoid-A025 - 220 VAC	1
	13454-24	Coil-Solenoid-A025 - 24 VDC	1
G	12592-26	Nut-Hex-Nylock-#4-40-SS	2
H	12562-26	Screw-HWHSTF-1/4-10x1.00"-SS	4