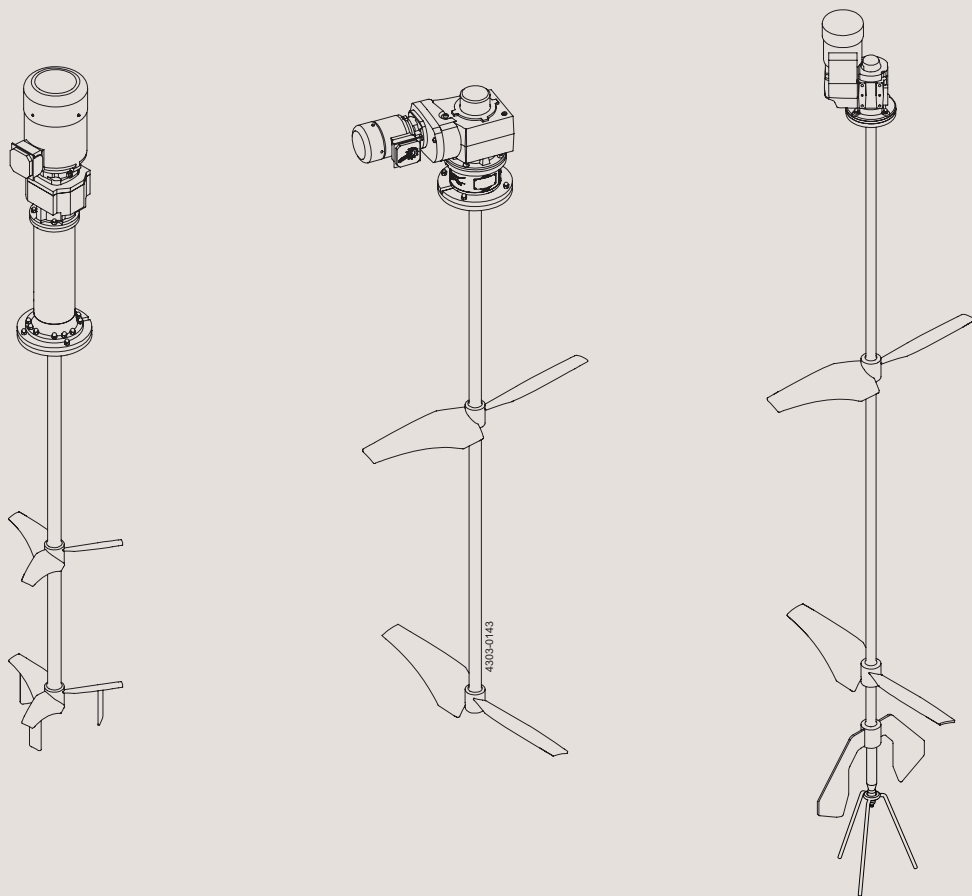




Spare Parts

Alfa Laval Agitator - ALT / ALTB

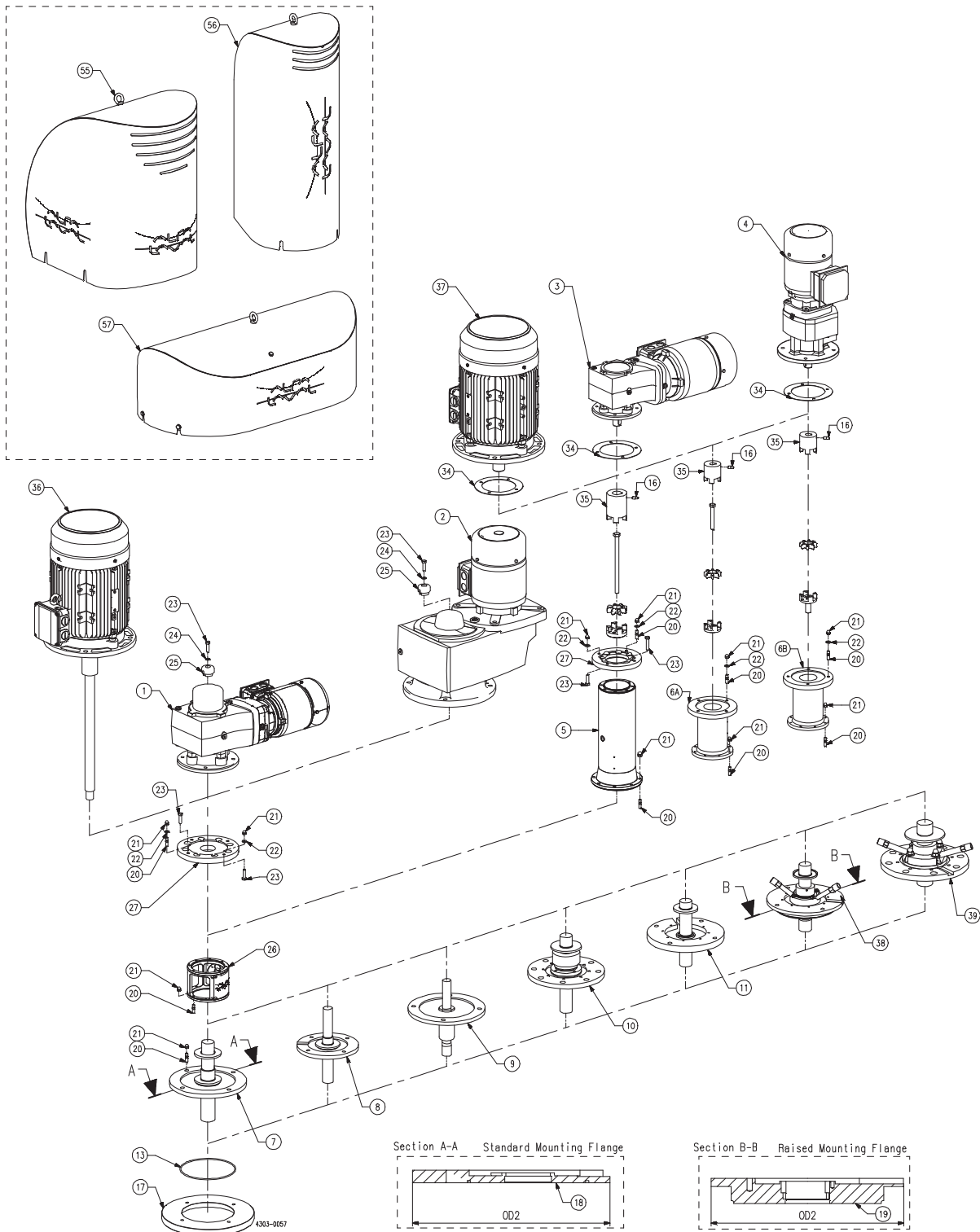


ESE03505-EN8 2019-10

Original manual

The information herein is correct at the time of issue but may be subject to change without prior notice

1. Agitator Main Components, Drive end	4
2. Agitator Main Components, Wet end	6
3. Bearing frame, B20, B25, B25/30, B35, B35/40, B45, B45/50, B55, B55/60	8
4. Bearing frame BC160/35, BC160D/30, BC160DH/30	12
5. Shaft seal, type S	14
6. Shaft seal, type S with dust trap	16
7. Shaft seal, type S3	18
8. Shaft seal, type D	22
9. Shaft seal, type DC	24
10. Shaft seal, type R	28
11. Shaft seal, type G	30
12. Shaft seal, type V	32
13. Intermediate support	34
14. Bottom support, type 1 - obsolete	36
15. Bottom support, type 2 - obsolete	40
16. Bottom support, type 3	42



Agitator Main Components, Drive end

Pos	Qty	Denomination	Flange seal
1	<input type="checkbox"/>	1 GR gear motor, hollow shaft	
2	<input type="checkbox"/>	1 GP gear motor, hollow shaft	
3	<input type="checkbox"/>	1 GR gear motor, output shaft	
4	<input type="checkbox"/>	1 GC gear motor, output shaft	
5	<input checked="" type="checkbox"/>	1 Bearing frame B20, B25, B25/30, B35, B35/40, B45, B45/50, B55, B55/60	
6	<input checked="" type="checkbox"/>	1 Bearing frame, BC160/35, BC160D/30, BC160DH/30	
7	<input checked="" type="checkbox"/>	1 Shaft seal type R	
8	<input checked="" type="checkbox"/>	1 Shaft seal type G	
9	<input checked="" type="checkbox"/>	1 Shaft seal type V	
10	<input checked="" type="checkbox"/>	1 Shaft seal type S	
11	<input checked="" type="checkbox"/>	1 Shaft seal type S3	
38	<input checked="" type="checkbox"/>	1 Shaft seal type D	
39	<input checked="" type="checkbox"/>	1 Shaft seal type DC	
13	<input type="checkbox"/>	1 O-ring, FEP (for flange OD2=134, std)	TE2601000078
	<input type="checkbox"/>	1 O-ring, FEP (for flange OD2=134, raised)	TE2601000078
	<input type="checkbox"/>	1 O-ring, FEP (for flange OD2=140, std)	TE2601000078
	<input type="checkbox"/>	1 O-ring, FEP (for flange OD2=160, std)	TE2601000078
	<input type="checkbox"/>	1 O-ring, FEP (for flange OD2=200, std)	TE2601000073
	<input type="checkbox"/>	1 O-ring, FEP (for flange OD2=200, raised)	TE2601000073
	<input type="checkbox"/>	1 O-ring, FEP (for flange OD2=220, std)	TE2601000073
	<input type="checkbox"/>	1 O-ring, EPDM (for flange OD2=225, raised)	TE2601000146
	<input type="checkbox"/>	1 O-ring, FPM (for flange OD2=225, raised)	TE2601000679
	<input type="checkbox"/>	1 O-ring, FEP (for flange OD2=230, std)	TE2601000074
	<input type="checkbox"/>	1 O-ring, FEP (for flange OD2=250, std)	TE2601000074
	<input type="checkbox"/>	1 O-ring, FEP (for flange OD2=250, raised)	TE2601000396
	<input type="checkbox"/>	1 O-ring, FEP (for flange OD2=285, std)	TE2601000074
	<input type="checkbox"/>	1 O-ring, FEP (for flange OD2=285, std)	TE2601000550
	<input type="checkbox"/>	1 O-ring, FEP (for flange OD2=300, std)	TE2601000075
	<input type="checkbox"/>	1 O-ring, EPDM (for flange OD2=300, std)	TE2601000371
	<input type="checkbox"/>	1 O-ring, FPM (for flange OD2=300, std)	TE2601000412
	<input type="checkbox"/>	1 O-ring, FEP (for flange OD2=325, std)	TE2601000076
	<input type="checkbox"/>	1 O-ring, FEP (for flange OD2=340, std)	TE2601000075
	<input type="checkbox"/>	1 O-ring, FEP (for flange OD2=342,9, std)	TE2601000076
	<input type="checkbox"/>	1 O-ring, FEP (for flange OD2=350, std)	TE2601000076
	<input type="checkbox"/>	1 O-ring, FEP (for flange OD2=395, std)	TE2601000163
	<input type="checkbox"/>	1 O-ring, FEP (for flange OD2=400, std)	TE2601000163
	<input type="checkbox"/>	1 O-ring, FEP (for flange OD2=406,4, std)	TE2601000163
	<input type="checkbox"/>	1 O-ring, FEP (for flange OD2=445, std)	TE2601000163
	<input type="checkbox"/>	1 O-ring, FEP (for flange OD2=450, std)	TE2601000164
	<input type="checkbox"/>	1 O-ring, FEP (for flange OD2=550, std)	TE2601000571
16	<input type="checkbox"/>	X Screw, pointed	
17	<input type="checkbox"/>	1 Welding flange	
18	<input type="checkbox"/>	1 Mounting flange, standard	
19	<input type="checkbox"/>	1 Mounting flange, raised	
20	<input type="checkbox"/>	X Stud	
21	<input type="checkbox"/>	X Cap nut	
22	<input type="checkbox"/>	X Washer	
23	<input type="checkbox"/>	X Screw	
24	<input type="checkbox"/>	1 Washer, Nord Lock	
25	<input type="checkbox"/>	1 Fixing element	
26	<input type="checkbox"/>	1 Lantern, complete, *)	
27	<input type="checkbox"/>	1 Drive unit flange	
34	<input type="checkbox"/>	1 Flat gasket, Ø160 **)	9615345101
	<input type="checkbox"/>	1 Flat gasket, Ø200 **)	9615345102
	<input type="checkbox"/>	1 Flat gasket, Ø250 **)	9615345103
	<input type="checkbox"/>	1 Flat gasket, Ø300 **)	9615345104
	<input type="checkbox"/>	1 Flat gasket, Ø350 **)	9615345105
35	<input type="checkbox"/>	1 Coupling	
36	<input type="checkbox"/>	1 Motor and shaft unit	
37	<input type="checkbox"/>	1 Motor	

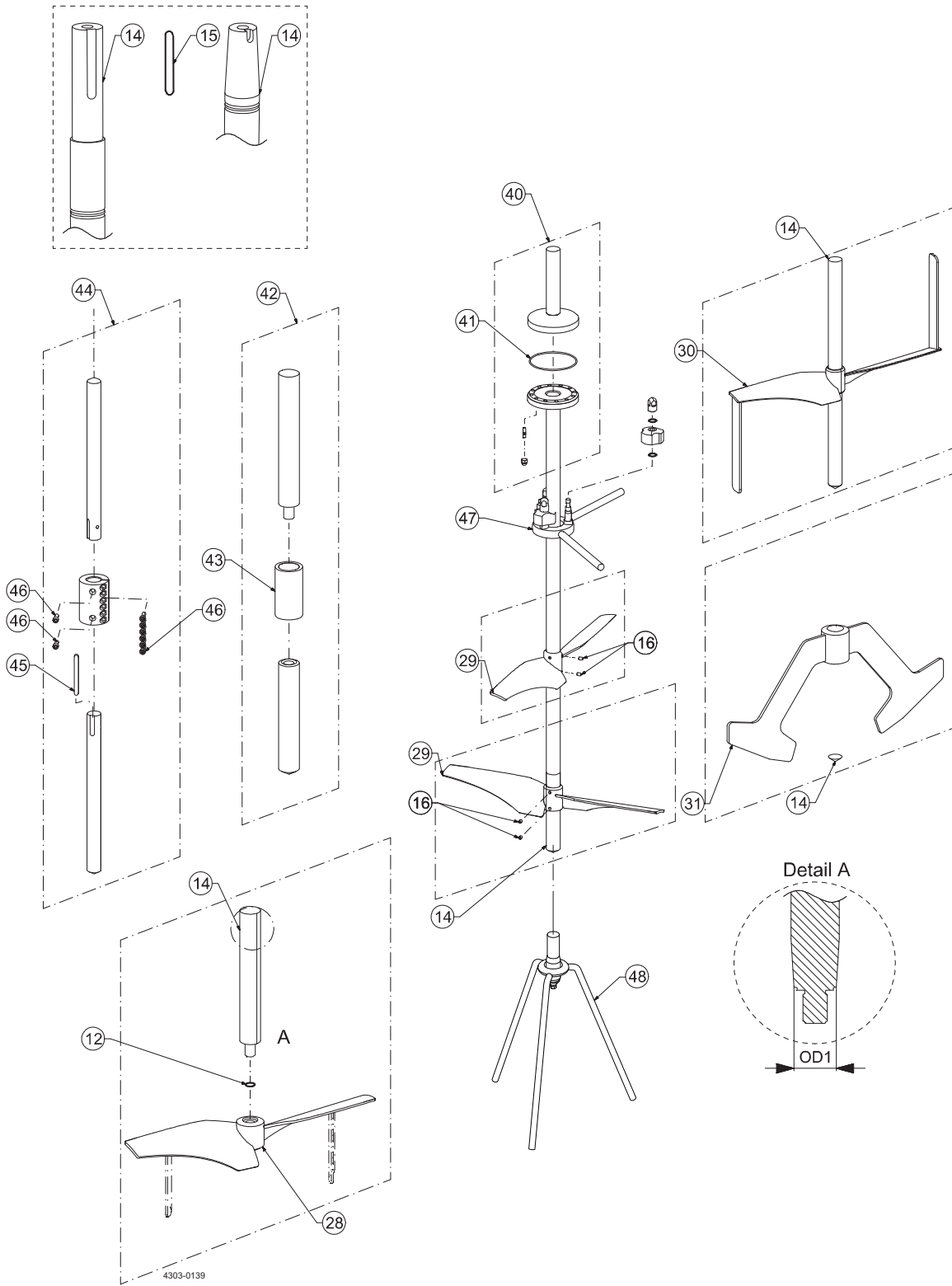
Article number available upon request by serial number or article number of the Agitator.

◆ Article number is to be found in the next section matching the specific bearing frame and shaft seal type.

X Quantity may vary depending on Agitator type, will be informed upon request.

*) Qty = 2 when shaft seal type DC and shaft diameter Ø80 or Ø90.

**) Part of bearing frame spare part kit.



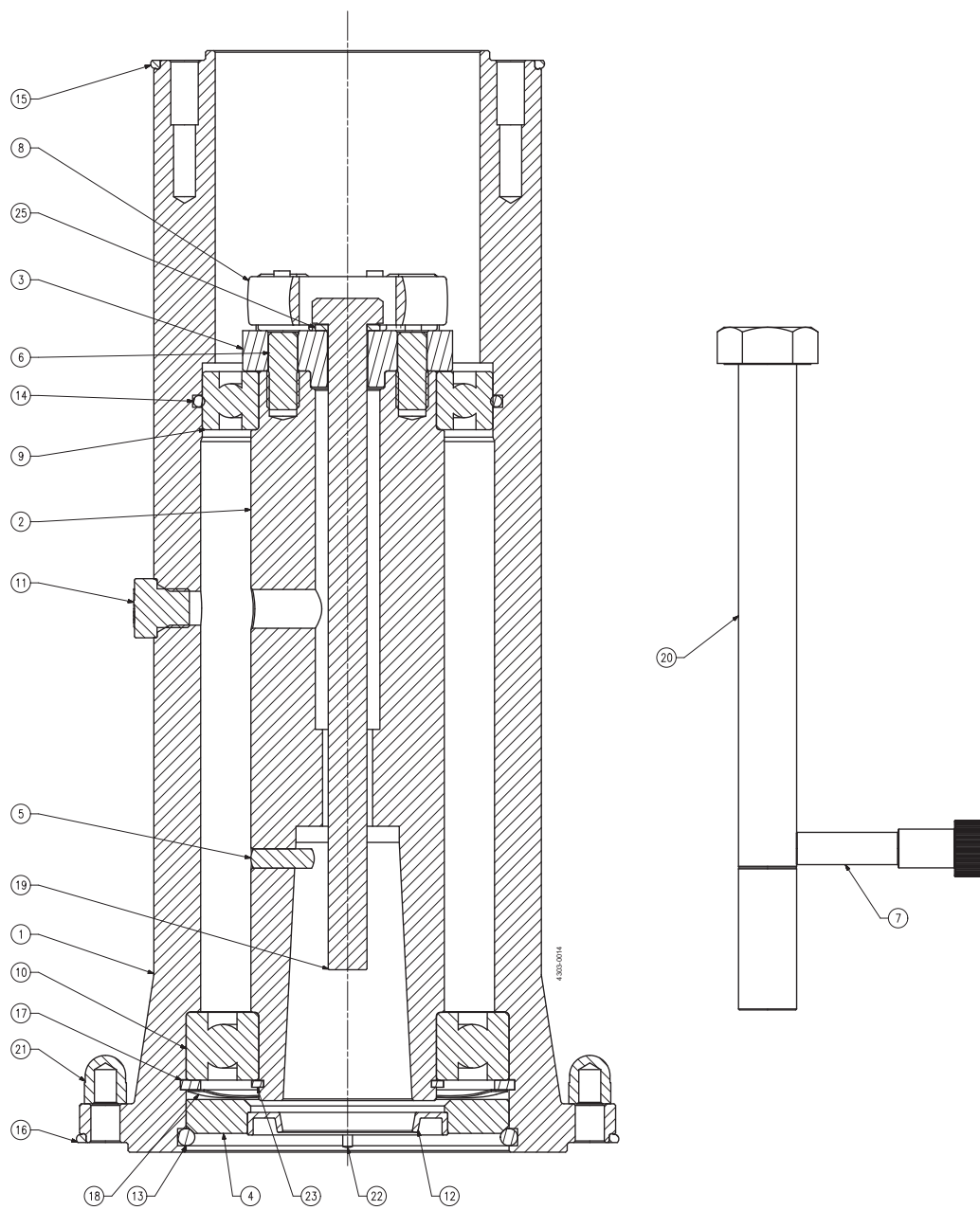
Agitator Main Components, Wet end

Pos	Qty	Denomination	Impeller seal
12	◆	1 O-ring, FEP (for shaft size OD1=25)	TE2601000243
	◆	1 O-ring, FEP (for shaft size OD1=30)	TE2601000244
	◆	1 O-ring, FEP (for shaft size OD1=35)	TE2601000245
	◆	1 O-ring, FEP (for shaft size OD1=40)	TE2601000246
	◆	1 O-ring, FEP (for shaft size OD1=45)	TE2601000247
	◆	1 O-ring, FEP (for shaft size OD1=50)	TE2601000248
	◆	1 O-ring, FEP (for shaft size OD1=55)	TE2601000249
	◆	1 O-ring, FEP (for shaft size OD1=60)	TE2601000250
	◆	1 O-ring, FEP (for shaft size OD1=65)	TE2601000189
	◆	1 O-ring, FEP (for shaft size OD1=70)	TE2601000609
	◆	1 O-ring, FEP (for shaft size OD1=75)	TE2601000610
	◆	1 O-ring, FEP (for shaft size OD1=80)	TE2601000611
	◆	1 O-ring, FEP (for shaft size OD1=90)	TE2601000612
14	□	1 Shaft	
15	□	1 Parallel key	
16	X	Screw, pointed	
28	□	1 Impeller device, EnSaFoil (ESF or ESFL), w. thread	
29	□	1-10 Impeller device, EnSaFoil, (ESF or ESFL), w. screws or welded	
30	□	1-10 Impeller device, EnSaFerm, (ESFm), w. screws or welded	
31	□	1 Impeller device, Low level, (LLI), w. screws or welded	
40	◆	1 Shaft and coupling unit	
41		1 O-ring, FEP (for shaft Ø25-Ø60)	TE2601000073
		1 O-ring, FEP (for shaft Ø65-Ø90)	TE2601000396
42	□	X Welded shaft coupling	
43	□	X Sleeve for welded shaft coupling	
44	□	X Sleeve coupling	
45	□	X Parallel key for sleeve coupling	
46	□	X Screw	
47	◆	Intermediate support	
48	◆	Bottom support, type 3	

□ Article number available upon request by serial number or article number of the agitator.

◆ Article number is to be found in the next section matching the specific bearing frame and shaft seal type.

X Quantity may vary depending on agitator type, will be informed upon request.



Bearing frame, B20, B25, B25/30, B35, B35/40, B45, B45/50, B55, B55/60

Pos	Qty	Denomination	B20	B25	B25/30	B35
1	1	Bearing frame - housing				
2	1	Drive shaft				
3	1	Coupling				
4	1	Cover				
5	1	Pin				
6	2	Pin				
7	1	Tool, retainer bolt	TE2604010700	TE2604010700	TE2604010700	TE2604010100
8	<input type="checkbox"/>	Spider, PUR	TE2601000351	TE2601000351	TE2601000351	TE2601000352
9	<input type="checkbox"/>	Bearing	TE2601000120	TE2601000120	TE2601000120	TE2601000121
10	<input type="checkbox"/>	Bearing	TE2601000122	TE2601000122	TE2601000122	TE2601000123
11	<input type="checkbox"/>	PreVent Valve	TE2601000362	TE2601000362	TE2601000362	TE2601000362
12	<input type="checkbox"/>	Seal, radial	TE2601000560	TE2601000592	TE2601000318	TE2601000227
13	<input type="checkbox"/>	O-ring, FPM	TE2601000301	TE2601000301	TE2601000301	TE2601000304
14	<input type="checkbox"/>	O-ring, FPM	TE2601000300	TE2601000300	TE2601000300	TE2601000302
15	<input type="checkbox"/>	O-ring, FPM	TE2601000303	TE2601000303	TE2601000303	TE2601000269
16	<input type="checkbox"/>	O-ring, FPM	TE2601000269	TE2601000269	TE2601000269	TE2601000277
17	1	Circlip, inner				
18	1	Spring, wave				
19	1	Screw				
20	1	Extractor bolt	TE2601000331	TE2601000331	TE2601000331	TE2601000336
21	8	Cap nut				
22	2	Pin				
23	1	Circlip, outer				
25	1	Washer				
			B20	B25	B25/30	B35

Assembly Kit

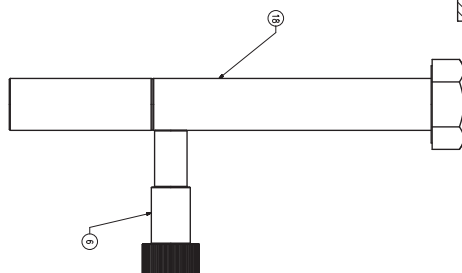
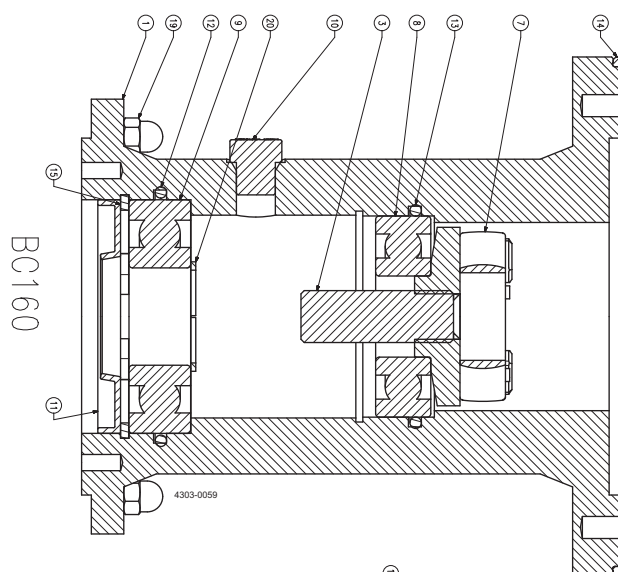
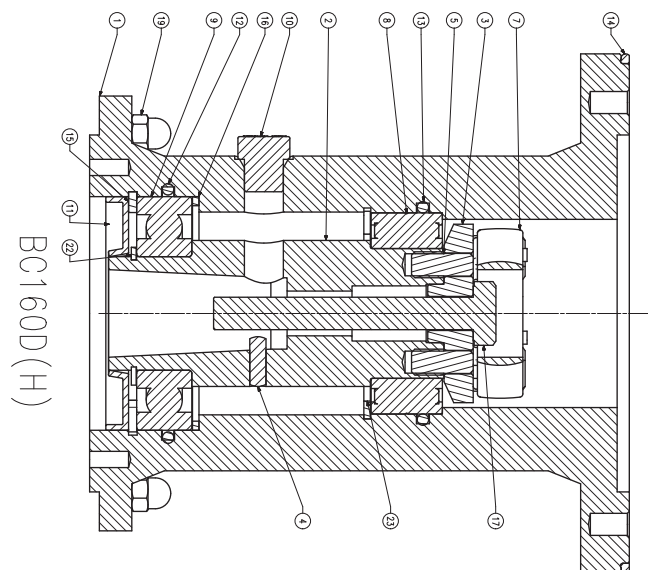
<input type="checkbox"/>	Assembly Kit, Bearing frame B20, B25, B25/30, B35	TE261301266B	TE261301267B	TE2613066880	TE261301269C
--------------------------	---	--------------	--------------	--------------	--------------

Bearing frame, B20, B25, B25/30, B35, B35/40, B45, B45/50, B55, B55/60

Pos	Qty	Denomination	B35/40	B45	B45/50	B55	B55/60
1	1	Bearing frame - housing					
2	1	Drive shaft					
3	1	Coupling					
4	1	Cover					
5	1	Pin					
6	2	Pin					
7	1	Tool, retainer bolt	TE2604010100	TE2604010890	TE2604010890	TE2604010900	TE2604010900
8	<input type="checkbox"/>	Spider, PUR	TE2601000352	TE2601000361	TE2601000361	TE2601000353	TE2601000353
9	<input type="checkbox"/>	Bearing	TE2601000121	TE2601000094	TE2601000094	TE2601000124	TE2601000124
10	<input type="checkbox"/>	Bearing	TE2601000123	TE2601000093	TE2601000093	TE2601000125	TE2601000125
11	<input type="checkbox"/>	PreVent Valve	TE2601000362	TE2601000362	TE2601000362	TE2601000362	TE2601000362
12	<input type="checkbox"/>	Seal, radial	TE2601000321	TE2601000322	TE2601000359	TE2601000324	TE2601000325
13	<input type="checkbox"/>	O-ring, FPM	TE2601000304	TE2601000270	TE2601000270	TE2601000274	TE2601000274
14	<input type="checkbox"/>	O-ring, FPM	TE2601000302	TE2601000271	TE2601000271	TE2601000273	TE2601000273
15	<input type="checkbox"/>	O-ring, FPM	TE2601000269	TE2601000276	TE2601000276	TE2601000277	TE2601000277
16	<input type="checkbox"/>	O-ring, FPM	TE2601000277	TE2601000282	TE2601000282	TE2601000284	TE2601000284
17	1	Circlip, inner					
18	1	Spring, wave					
19	1	Screw					
20	1	Extractor bolt	TE2601000336	TE2601000334	TE2601000334	TE2601000334	TE2601000334
21	8	Cap nut					
22	2	Pin					
23	1	Circlip, outer					
25	1	Washer					
			B35/40	B45	B45/50	B55	B55/60

Assembly Kit

<input type="checkbox"/>	Assembly Kit, Bearing frame B35/40, B45, B45/50, B55, B55/60	TE261304566B	TE261301100B	TE261305434A	TE261301102B	TE2613065530
--------------------------	---	---------------------	---------------------	---------------------	---------------------	---------------------



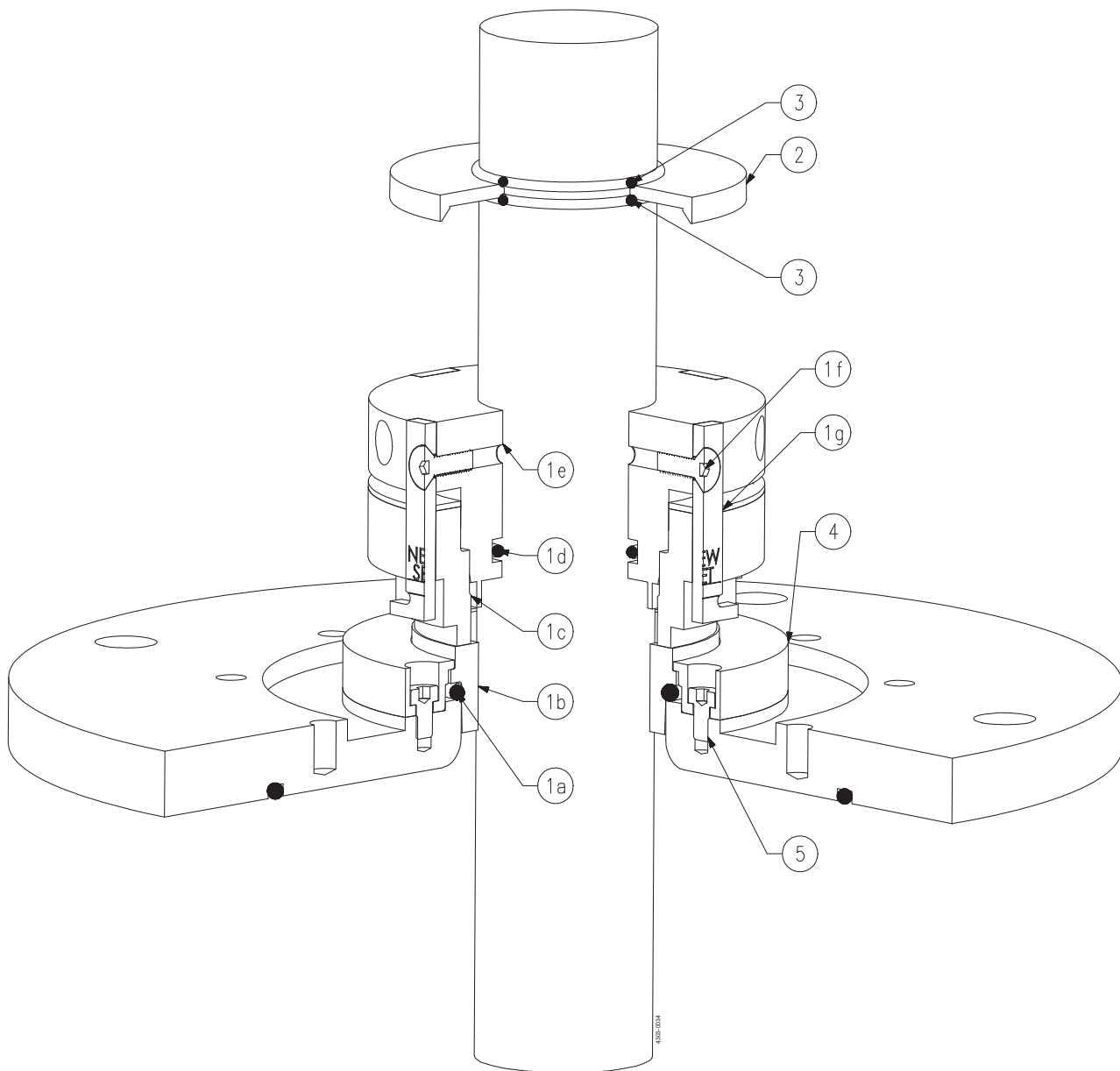
Bearing frame BC160/35, BC160D/30, BC160DH/30

Pos	Qty	Denomination	BC160/35			
			(right)	BC160/35 (left)	BC160D/30	BC160DH/30
1	1	Bearing frame - housing				
2	1	Drive shaft				
3	1	Coupling				
4	1	Pin				
5	2	Pin				
6	1	Tool, retainer bolt	TE2604036760	TE2604036760	TE2604036760	TE2604036760
7	<input type="checkbox"/>	Spider, PUR	TE2601000351	TE2601000351	TE2601000351	TE2601000351
8	<input type="checkbox"/>	Bearing	TE2601000344	TE2601000344	TE2601000127	TE2601000449
9	<input type="checkbox"/>	Bearing	TE2601000345	TE2601000345	TE2601000126	TE2601000126
10	<input type="checkbox"/>	PreVent valve	TE2601000362	TE2601000362	TE2601000362	TE2601000362
11	<input type="checkbox"/>	Seal, radial	TE2601000320	TE2601000320	TE2601000320	TE2601000320
12	<input type="checkbox"/>	O-ring, FPM	TE2601000138	TE2601000138	TE2601000138	TE2601000138
13	<input type="checkbox"/>	O-ring, FPM	TE2601000139	TE2601000139	TE2601000139	TE2601000139
14	<input type="checkbox"/>	O-ring, FPM	TE2601000276	TE2601000276	TE2601000276	TE2601000276
15	1	Circlip, inner				
16	1	Seeger ring				
17	1	Screw				
18	1	Extractor bolt	TE2601000331	TE2601000331	TE2601000331	TE2601000331
19	8	Cap nut				
20	1	Circlip, outer				
22	7	Circlip, outer				
23	1	Circlip, inner				

BC160/35			
(right)	BC160/35 (left)	BC160D/30	BC160DH/30

Assembly Kit

<input type="checkbox"/>	Assembly Kit, Bearing frame BC160/35, BC160D/30, BC160DH/30	TE261303783B	TE261303783B	TE261303672B	TE2613071680
--------------------------	---	--------------	--------------	--------------	--------------



Shaft seal, type S

Pos	Qty	Denomination	size: Ø30	size: Ø35	size: Ø40	size: Ø45
1	□	1 S seal, C/SiC*, EPDM	TE2602000114	TE2602000105	TE2602000073	TE2602000183
	◆	1 S seal, C/SiC*, FPM	TE2602000176	TE2602000111	TE2602000097	TE2602000181
2		1 Oil trap				
3	□◆	2 O-ring, FPM	TE2601000287	TE2601000289	TE2601000292	TE2601000293
4		1 Ring, retainer	TE260406156C	TE260405177B	TE260405177B	TE260405346B
5		4 Screw	TE2601000326	TE2601000326	TE2601000326	TE2601000326

*The listed article numbers are for the complete seal. The seal-kit contains only the sliding seal surfaces and elastomers.

size: Ø30 size: Ø35 size: Ø40 size: Ø45

Seal Kits

□	Seal kit, S, C/SiC, EPDM	TE2613000040	TE2613000041	TE2613000042	TE2613000043
◆	Seal kit, S, C/SiC, FPM	TE2613000031	TE2613000032	TE2613000033	TE2613000034

Pos	Qty	Denomination	size: Ø50	size: Ø60	size: Ø70	size: Ø80
1	□	1 S seal, C/SiC*, EPDM	TE2602000119	TE2602000184	TE2602000206	TE2602000094
	◆	1 S seal, C/SiC*, FPM	TE2602000089	TE2602000088	TE2602000207	TE2602000182
2		1 Oil trap				
3	□◆	2 O-ring, FPM	TE2601000294	TE2601000297	TE2601000039	TE2601000151
4		1 Ring, retainer	TE260405346B	TE260405344A	TE2604076630	TE260405343A
5		4 Screw	TE2601000326	TE2601000326	TE2601000326	TE2601000326

*The listed article numbers are for the complete seal. The seal-kit contains only the sliding seal surfaces and elastomers.

size: Ø50 size: Ø60 size: Ø70 size: Ø80

Seal Kits

□	Seal kit, S, C/SiC, EPDM	TE2613000045	TE2613000046	TE2613000047	TE2613000038
◆	Seal kit, S, C/SiC, FPM	TE2613000035	TE2613000036	TE2613000037	TE2613000048

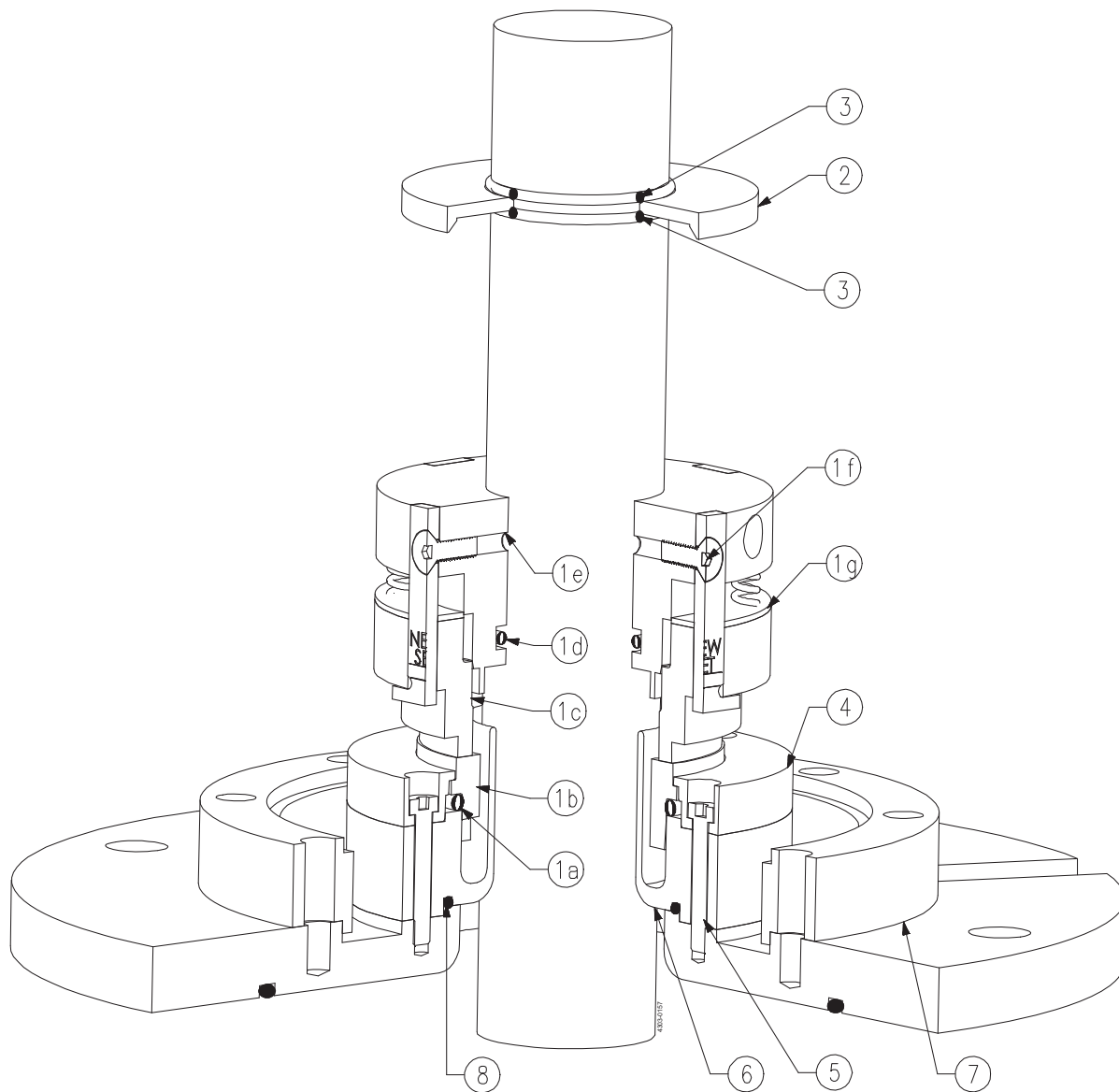
Pos	Qty	Denomination	size: Ø90
1	□	1 S seal, C/SiC*, EPDM	TE2602000092
	◆	1 S seal, C/SiC*, FPM	TE2602000211
2		1 Oil trap	
3	□◆	2 O-ring, FPM	TE2601000097
4		1 Ring, retainer	TE260405635A
5		4 Screw	TE2601000326

*The listed article numbers are for the complete seal. The seal-kit contains only the sliding seal surfaces and elastomers.

size: Ø90

Seal Kits

□	Seal kit, S, C/SiC, EPDM	TE2613000049
◆	Seal kit, S, C/SiC, FPM	TE2613000039



Shaft seal, type S with dust trap

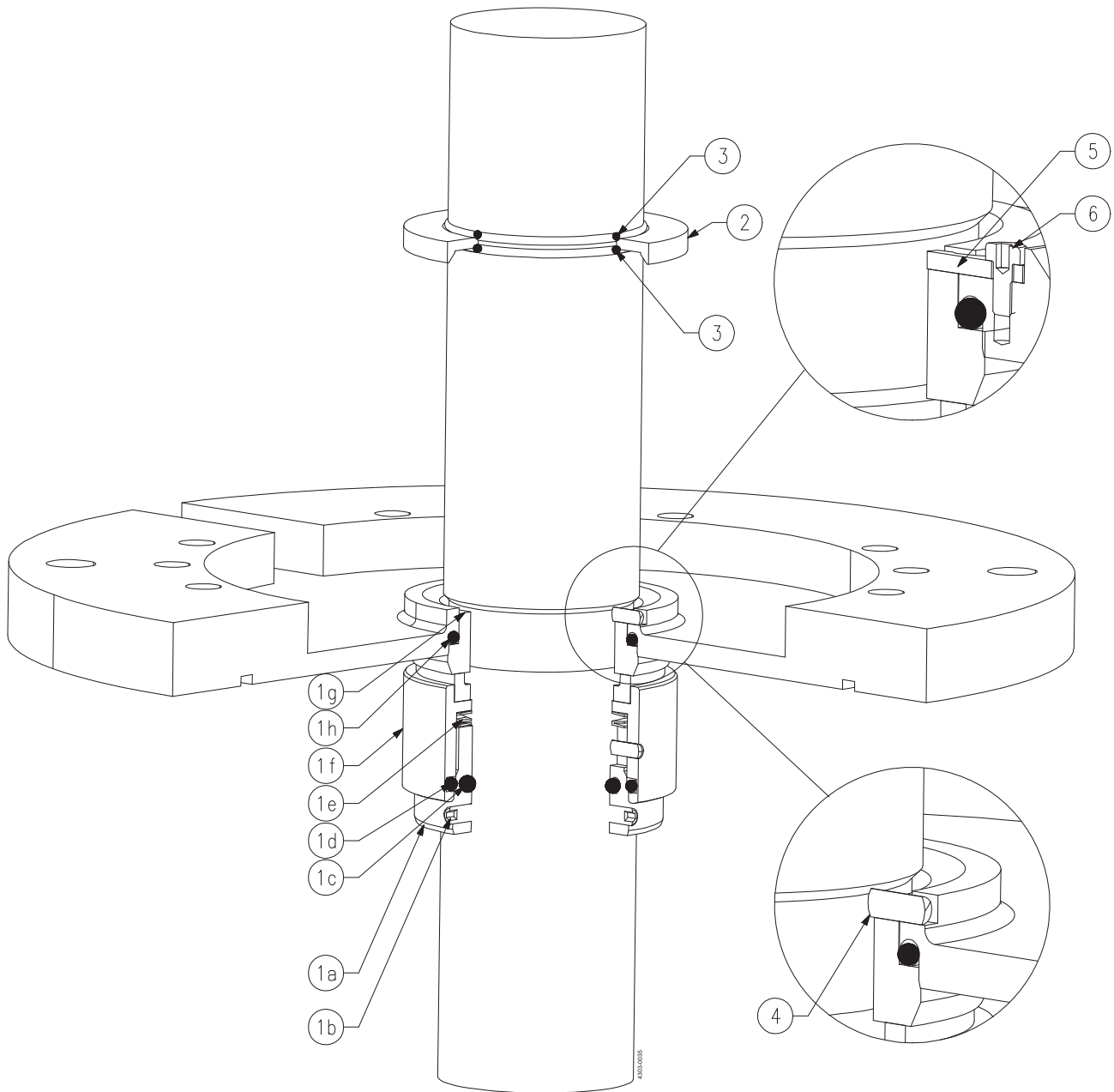
Pos	Qty	Denomination	size: Ø30	size: Ø40	size: Ø50
1	□	1 S seal, C/SiC*, EPDM	TE2602000114	TE2602000073	TE2602000119
	◆	1 S seal, C/SiC*, FPM	TE2602000176	TE2602000097	TE2602000089
2		1 Oil trap			
3	□◆	2 O-ring, FPM	TE2601000287	TE2601000292	TE2601000294
4		1 Ring, retainer	TE260406156C	TE260405177B	TE260405346B
5		4 Screw	9615481101	9615481101	9615481101
6		1 Dust trap, 1/4" NPT flush connection	9615479801	9615483001	9615484101
7		1 Spacer ring	9615481001	9615483401	9615483901
8		1 O-ring, FEP	TE2601000189	TE2601000610	9615481901

*The listed article numbers are for the complete seal. The seal-kit contains only the sliding seal surfaces and elastomers.

size: Ø30 size: Ø40 size: Ø50

Seal Kits

□	Seal kit, S, C/SiC, EPDM	TE2613000040	TE2613000042	TE2613000045
◆	Seal kit, S, C/SiC, FPM	TE2613000031	TE2613000033	TE2613000035



Shaft seal, type S3

Pos	Qty	Denomination	size: Ø30	size: Ø35	size: Ø40	size: Ø45
1	□	1 S3 seal, C/SiC, EPDM	TE2608000017	TE2608000010	TE2608000024	TE2608000026
	◆	1 S3 seal, C/SiC, FPM	TE2608000018	TE2608000013	TE2608000003	TE2608000027
2		1 Oil trap				
		1 Oil trap, (BC160/35)				
3	□◆	2 O-ring, FPM	TE2601000287	TE2601000289	TE2601000292	TE2601000293
4		1 Locking pin	TE2601000428	TE2601000428	TE2601000428	TE2601000428
5		1 Locking plate	TE2604089540	TE2604089540	TE2604089540	TE2604089540
6		1 Screw	TE2601000572	TE2601000572	TE2601000572	TE2601000572
			size: Ø30	size: Ø35	size: Ø40	size: Ø45

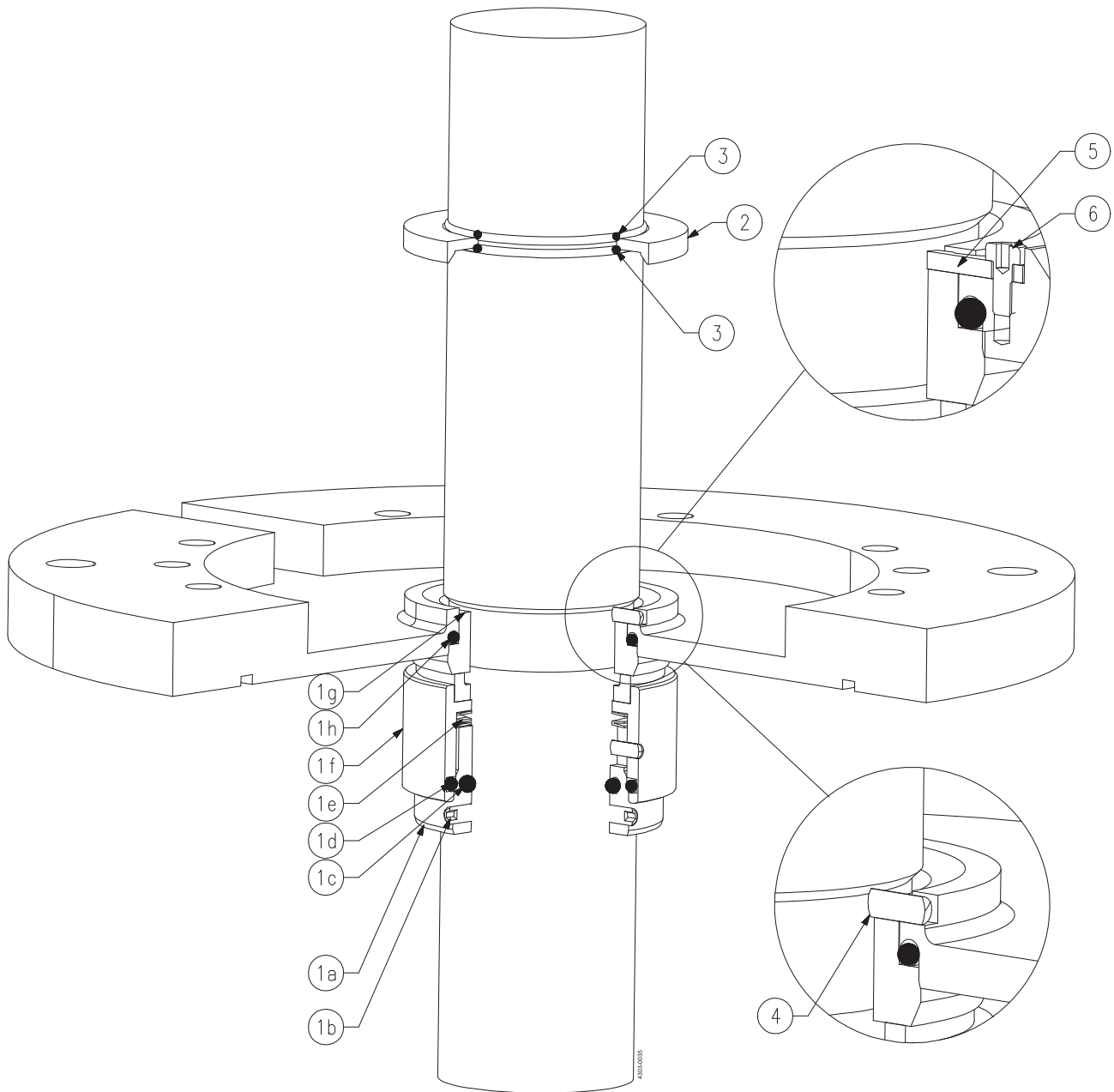
Seal Kits

□	Seal Kit, S3, C/SiC, EPDM	TE2613000087	TE2613000090	TE2613000091	TE2613000093
◆	Seal Kit, S3, C/SiC, FPM	TE2613000104	TE2613000106	TE2613000107	TE2613000108

Pos	Qty	Denomination	size: Ø50	size: Ø55	size: Ø60	size: Ø65
1	□	1 S3 seal, C/SiC, EPDM	TE2608000028	TE2608000031	TE2608000030	TE2608000034
	◆	1 S3 seal, C/SiC, FPM	TE2608000029	TE2608000032	TE2608000033	TE2608000060
2		1 Oil trap				
3	□◆	2 O-ring, FPM	TE2601000294	TE2601000295	TE2601000297	TE2601000059
4		1 Locking pin	TE2601000428	TE2601000428	TE2601000428	TE2601000428
5		1 Locking plate	TE2604089540	TE2604089540	TE2604089540	TE2604089540
6		1 Screw	TE2601000572	TE2601000572	TE2601000572	TE2601000572
			size: Ø50	size: Ø55	size: Ø60	size: Ø65

Seal Kits

□	Seal Kit, S3, C/SiC, EPDM	TE2613000095	TE2613000096	TE2613000098	TE2613000099
◆	Seal Kit, S3, C/SiC, FPM	TE2613000109	TE2613000110	TE2613000112	TE2613000113

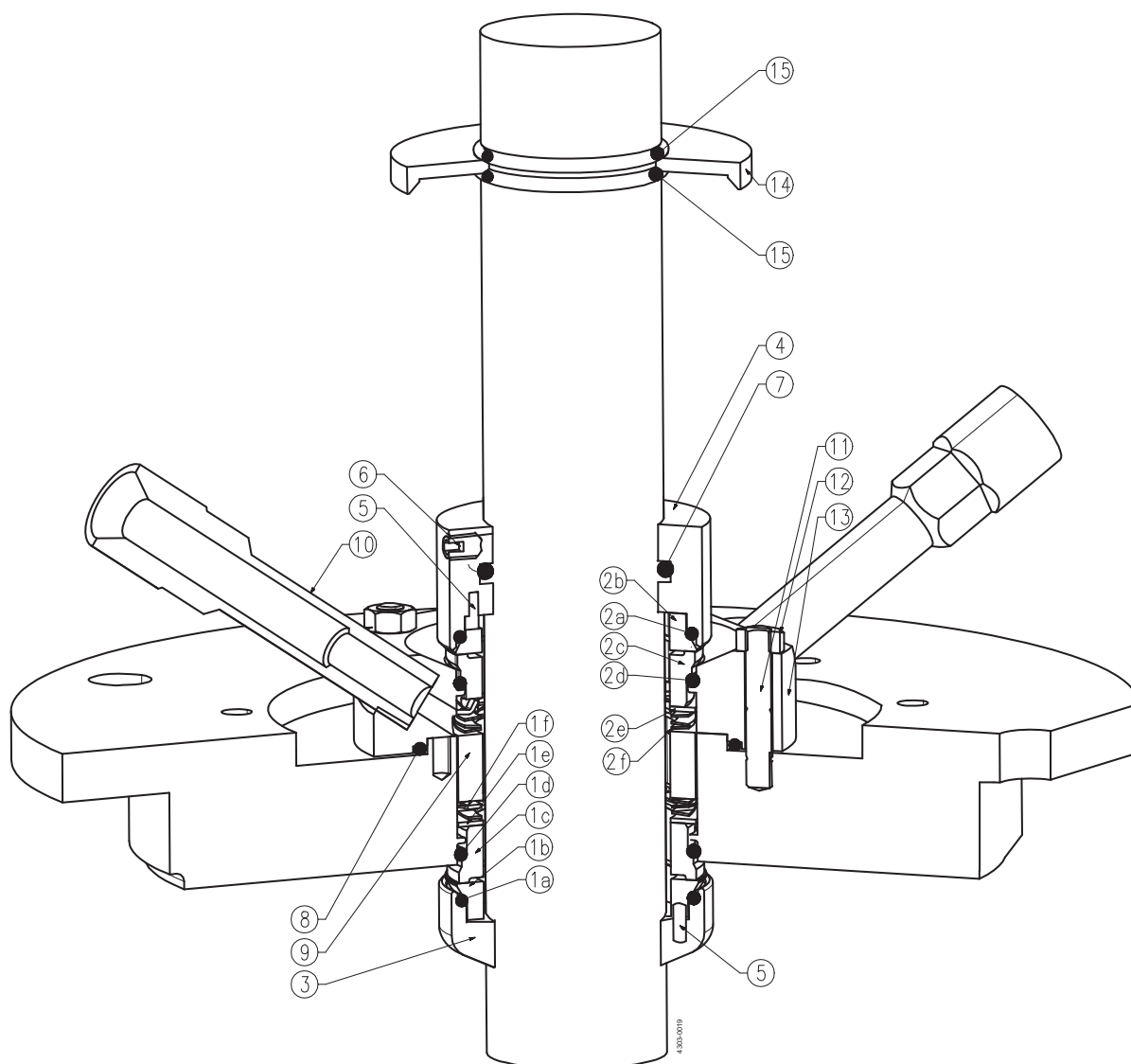


Shaft seal, type S3

Pos	Qty	Denomination	size: Ø70	size: Ø75	size: Ø80	size: Ø90
1	□	1 S3 seal,, C/SiC, EPDM	TE2608000036	TE2608000038	TE2608000040	TE2608000044
	◆	1 S3 seal, C/SiC, FPM	TE2608000037	TE2608000039	TE2608000041	TE2608000045
2		1 Oil trap				
3	□◆	2 O-ring, FPM	TE2601000039	TE2601000403	TE2601000151	TE2601000097
4		1 Locking pin	TE2601000428	TE2601000428	TE2601000428	TE2601000428
5		1 Locking plate	TE2604089540	TE2604089540	TE2604089540	TE2604089540
6		1 Screw	TE2601000572	TE2601000572	TE2601000572	TE2601000572
			size: Ø70	size: Ø75	size: Ø80	size: Ø90

Seal Kits

□	Seal Kit, S3, C/SiC, EPDM	TE2613000100	TE2613000101	TE2613000102	TE2613000103
◆	Seal Kit, S3, C/SiC, FPM	TE2613000116	TE2613000117	TE2613000118	TE2613000120



Shaft seal, type D

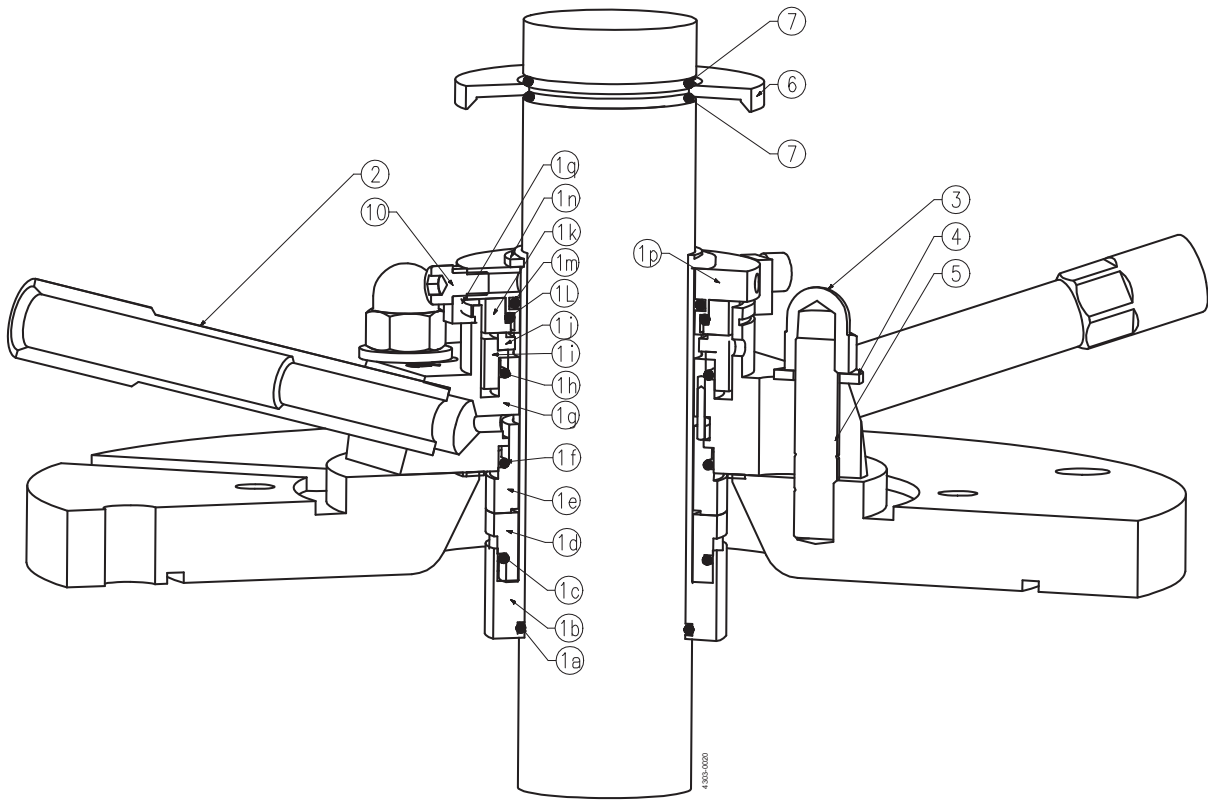
Pos	Qty	Denomination	size: Ø30	size: Ø40
1	◆	1 Seal, C/SiC, EPDM	TE2608041570	TE2608012850
	★	1 Seal, SiC/SiC, EPDM	TE2608037220	TE2608045750
	□	1 Seal, C/SiC, FPM	TE2608058650	TE2608084680
	○	1 Seal, SiC/SiC, FPM	TE2608049740	TE2608049390
2	◆★	1 Seal, C/SiC, EPDM	TE2608041570	TE2608012850
	□○	1 Seal, C/SiC, FPM	TE2608058650	TE2608084680
3		1 Ring, counter**		
4		1 Ring, counter		
5		4 Pin		
6		1 Screw, pointed		
7	□○	1 O-ring, FPM	TE2601000411	TE2601000040
	◆★	1 O-ring, EPDM	TE2601000001	TE2601000424
8	□○	1 O-ring, FPM	TE2601000450	TE2601000403
	◆★	1 O-ring, EPDM	TE2601000387	TE2601000392
9		1 Spacer, (15mm)		
		1 Spacer, (14mm)		
		1 Spacer, (1mm)		
10		2 Flush, connection 1/2"-14 BSP		
11		4 Stud		
12		4 Nut		
13		1 Seal housing		
14		1 Oil trap		
15	□◆○★	2 O-ring, FPM	TE2601000287	TE2601000292

**Welded onto shaft - maintenance must be carried out by Alfa Laval.

Ø30 Ø40

Seal kits

□	Seal Kit, D, C/SiC-C/SiC, FPM	TE2613000121	TE2613000122
◆	Seal Kit, D, C/SiC-C/SiC, EPDM	TE2613000123	TE2613000124
○	Seal Kit, D, SiC/SiC-C/SiC, FPM	TE2613000125	TE2613000126
★	Seal Kit, D, SiC/SiC-C/SiC, EPDM	TE2613000127	TE2613000128



Shaft seal, type DC

Pos	Qty	Denomination	size: Ø30	size: Ø35	size: Ø40	size: Ø45
1	□	1 DC seal, C/SiC-C/SiC, EPDM	TE2602000224	TE2602000236	TE2602000091	TE2602000075
	◆	1 DC seal, C/SiC-C/SiC, FPM	TE2602000228	TE2602000239	TE2602000242	TE2602000203
	○	1 DC seal, SiC/SiC-C/SiC, EPDM	TE2602000225	TE2602000237	TE2602000241	TE2602000244
	★	1 DC seal, SiC/SiC-C/SiC, FPM	TE2602000229	TE2602000240	TE2602000243	TE2602000247
2		2 Flush, connection 1/2"-14 BSP	TE2602029060	TE2602029060	TE2602055590	TE2602055590
3		4 Cap nut, M10	TE2601000195	TE2601000195		
		4 Cap nut, M12		TE2601000261	TE2601000261	TE2601000261
4		4 Washer, M10	TE2601000346	TE2601000346		
		4 Washer, M12		TE2601000347	TE2601000347	TE2601000347
5		4 Stud, M10	TE2601000308	TE2601000308		
		4 Stud, M12		TE2601000593	TE2601000593	TE2601000593
6		1 Oil trap	TE2604061570	TE2604059350	TE2604055860	TE2604040440
7	□◆○★	2 O-ring, FPM	TE2601000287	TE2601000289	TE2601000292	TE2601000293
			size: Ø30	size: Ø35	size: Ø40	size: Ø45

Seal kits

□	Seal Kit, DC, C/SiC-C/SiC, EPDM	TE2613000137	TE2613000138	TE2613000139	TE2613000140
◆	Seal Kit, DC, C/SiC-C/SiC, FPM	TE2613000144	TE2613000145	TE2613000146	TE2613000147
○	Seal Kit, DC, SiC/SiC-C/SiC, EPDM	TE2613000151	TE2613000152	TE2613000153	TE2613000154
★	Seal Kit, DC, SiC/SiC-C/SiC, FPM	TE2613000158	TE2613000159	TE2613000160	TE2613000161

Pos	Qty	Denomination	size: Ø50	size: Ø55	size: Ø60	size: Ø70
1	□	1 DC seal, C/SiC-C/SiC, EPD	TE2602000189	TE2602000251	TE2602000257	TE2602000272
	◆	1 DC seal, C/SiC-C/SiC, FPM	TE2602000249	TE2602000255	TE2602000260	TE2602000276
	○	1 DC seal, SiC/SiC-C/SiC, EPD	TE2602000248	TE2602000252	TE2602000202	TE2602000273
	★	1 DC seal, SiC/SiC-C/SiC, FPM	TE2602000250	TE2602000256	TE2602000261	TE2602000277
2		2 Flush, connection 1/2"-14 BSP	TE2602055590	TE2602055590	TE2602055590	TE2602055590
3		4 Cap nut, M12	TE2601000261	TE2601000261	TE2601000261	TE2601000261
4		4 Washer, M12	TE2601000347			
		4 Washer, special		TE2607014100	TE2607014100	TE2607014100
5		4 Stud, M12	TE2601000593	TE2601000593	TE2601000593	TE2601000593
6		1 Oil trap	TE2604039770	TE2604034420	TE2604053450	TE2604076710
7	□◆○★	2 O-ring, FPM	TE2601000294	TE2601000295	TE2601000297	TE2601000039
			size: Ø50	size: Ø55	size: Ø60	size: Ø70

Seal kits

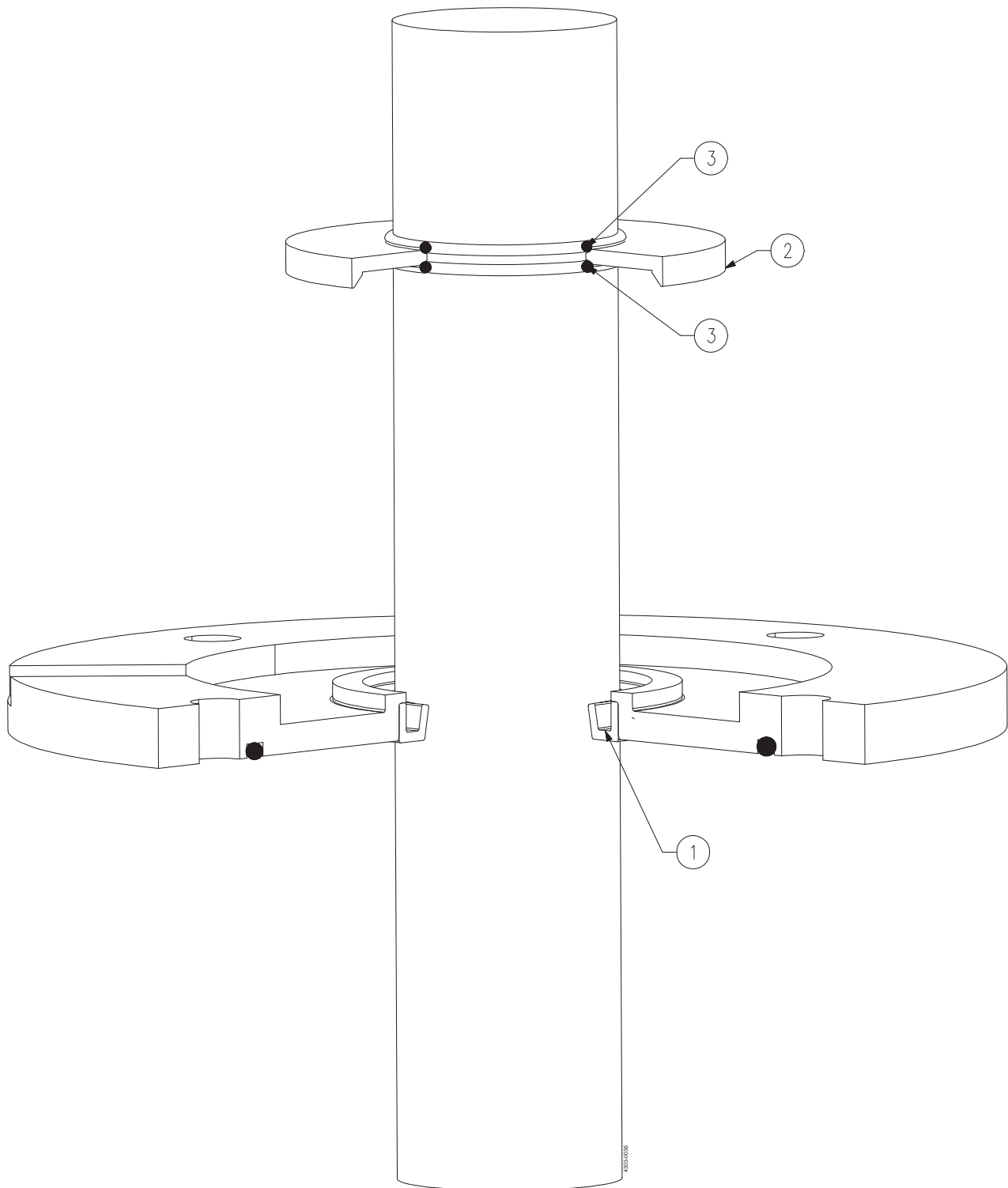
□	Seal Kit, DC, C/SiC-C/SiC, EPDM	TE2613000141	TE2613000142	TE2613000143	9615478601
◆	Seal Kit, DC, C/SiC-C/SiC, FPM	TE2613000148	TE2613000149	TE2613000150	9615478701
○	Seal Kit, DC, SiC/SiC-C/SiC, EPDM	TE2613000155	TE2613000156	TE2613000157	9615478801
★	Seal Kit, DC, SiC/SiC-C/SiC, FPM	TE2613000162	TE2613000163	TE2613000164	9615478901

Shaft seal, type DC

Pos	Qty	Denomination	size: Ø80	size: Ø90
1	□	1 DC seal, C/SiC-C/SiC, EPDM	TE2602000284	TE2602000336
	◆	1 DC seal, C/SiC-C/SiC, FPM	TE2602000288	TE2602000338
	○	1 DC seal, SiC/SiC-C/SiC, EPDM	TE2602000285	TE2602000337
	★	1 DC seal, SiC/SiC-C/SiC, FPM	TE2602000289	TE2602000339
2		2 Flush, connection 1/2"-14 BSP	TE2602055590	TE2602055590
3		4 Cap nut, M12	TE2601000261	
		4 Cap nut, M16		TE2601000058
4		4 Washer, M16		TE2601000348
		4 Washer, Special	TE2607014100	
5		4 Stud, M12	TE2601000578	
		4 Stud, M16		TE2601000058
6		1 Oil trap	TE2604034400	TE2604034390
7	□◆○★	2 O-ring, FPM	TE2601000151	TE2601000097
			size: Ø80	size: Ø90

Seal kits

□	Seal Kit, DC, C/SiC-C/SiC, EPDM	9615479001	9615479401
◆	Seal Kit, DC, C/SiC-C/SiC, FPM	9615479101	9615479501
○	Seal Kit, DC, SiC/SiC-C/SiC, EPDM	9615479201	9615479601
★	Seal Kit, DC, SiC/SiC-C/SiC, FPM	9615479301	9615479701



Shaft seal, type R

Pos	Qty	Denomination	size: Ø20	size: Ø25	size: Ø30	size: Ø35
1	□	1 Radial seal, FPM	TE2601000560	TE2601000592	TE2601000318	
	□	1 Radial seal, FPM (Ø35xØ62x7)				TE2601000227
	◆	1 Radial seal, FPM (Ø35xØ47x7)				TE2601000319
2		1 Oil trap				
3	□◆	2 O-ring, FPM	TE2601000561	TE2601000281	TE2601000287	TE2601000289
			size: Ø20	size: Ø25	size: Ø30	size: Ø35

Seal kits

□	Seal Kit, Radial, FPM	TE2613000001	TE2613000002	TE2613000003	TE2613000004
◆	Seal Kit, Radial, FPM				TE2613000190

Pos	Qty	Denomination	size: Ø40	size: Ø45	size: Ø50	size: Ø55
1	□	1 Radial seal, FPM				TE2601000324
	□	1 Radial seal, FPM (Ø40xØ72x7)	TE2601000080			
	◆	1 Radial seal, FPM (Ø40xØ62x7)	TE2601000321			
	□	1 Radial seal, FPM (Ø45xØ72x7)		TE2601000380		
	◆	1 Radial seal, FPM (Ø45xØ62x7)		TE2601000322		
	□	1 Radial seal, FPM (Ø50xØ72x7)			TE2601000323	
	◆	1 Radial seal, FPM (Ø50xØ62x7)			TE2601000359	
2		1 Oil trap				
3	□◆	2 O-ring, FPM	TE2601000292	TE2601000293	TE2601000294	TE2601000295
			size: Ø40	size: Ø45	size: Ø50	size: Ø55

Seal kits

□	Seal Kit, Radial, FPM	TE2613000005	TE2613000006	TE2613000194	TE2613000008
◆	Seal Kit, Radial, FPM	TE2613000192	TE2613000193	TE2613000007	

Pos	Qty	Denomination	size: Ø60	size: Ø65	size: Ø70	size: Ø75
1	□	1 Radial seal, FPM	TE2601000325	TE2601000036	TE2601000161	TE2601000573
2		1 Oil trap				
3	□	2 O-ring, FPM	TE2601000297	TE2601000059	TE2601000039	TE2601000403
			size: Ø60	size: Ø65	size: Ø70	size: Ø75

Seal kits

□	Seal Kit, Radial, FPM	TE2613000009	TE2613000010	TE2613000011	TE2613000012
---	-----------------------------	--------------	--------------	--------------	--------------

Pos	Qty	Denomination	size: Ø80	size: Ø90
1	□	1 Radial seal, FPM	TE2601000170	TE2601000009
2		1 Oil trap		
3	□	2 O-ring, FPM	TE2601000151	TE2601000097
			size: Ø80	size: Ø90

Seal kits

□	Seal Kit, Radial, FPM	TE2613000013	TE2613000014
---	-----------------------------	--------------	--------------

Shaft seal, type G

Pos	Qty	Denomination	size: Ø20	size: Ø25	size: Ø30	size: Ø35
1	□	1 Gab seal, PTFE	TE2607049240	TE2607049250	TE2607078250	
	□	1 Gab seal, PTFE(Ø62,50xØ36x8)				TE2607078430
	◆	1 Gab seal, PTFE (Ø47,50xØ36x8)				TE2607047220
2		1 Oil trap				
3	□◆	2 O-ring, FPM	TE2601000561	TE2601000281	TE2601000287	TE2601000289
			size: Ø20	size: Ø25	size: Ø30	size: Ø35

Seal kits

□	Seal Kit, Gap, PTFE	TE2613000015	TE2613000016	TE2613000017	TE2613000018
◆	Seal Kit, Gap, PTFE				TE2613000195

Pos	Qty	Denomination	size: Ø40	size: Ø45	size: Ø50	size: Ø55
1	□	1 Gab seal, PTFE				TE2607070460
	□	1 Gab seal, PTFE (Ø72,50xØ41x8)	TE2607078270			
	◆	1 Gab seal, PTFE (Ø62,50xØ41x8)	TE2607078440			
	□	1 Gab seal, PTFE (Ø72,50xØ46x8)		TE2607078280		
	◆	1 Gab seal, PTFE (Ø62,50xØ46x8)		TE2607078450		
	□	1 Gab seal, PTFE (Ø72,50xØ51x8)			TE2607078460	
	◆	1 Gab seal, PTFE (Ø62,50xØ51x8)			TE2607078290	
2		1 Oil trap				
3	□◆	2 O-ring, FPM	TE2601000292	TE2601000293	TE2601000294	TE2601000295
			size: Ø40	size: Ø45	size: Ø50	size: Ø55

Seal kits

□	Seal Kit, Gap, PTFE	TE2613000019	TE2613000020	TE2613000198	TE2613000022
◆	Seal Kit, Gap, PTFE	TE2613000196	TE2613000197	TE2613000021	

Pos	Qty	Denomination	size: Ø60	size: Ø65	size: Ø70	size: Ø75
1	□	1 Gab seal, PTFE	TE2607078300	TE2607078330	TE2607078340	TE2607049260
2		1 Oil trap				
3	□	2 O-ring, FPM	TE2601000297	TE2601000059	TE2601000039	TE2601000403
			size: Ø60	size: Ø65	size: Ø70	size: Ø75

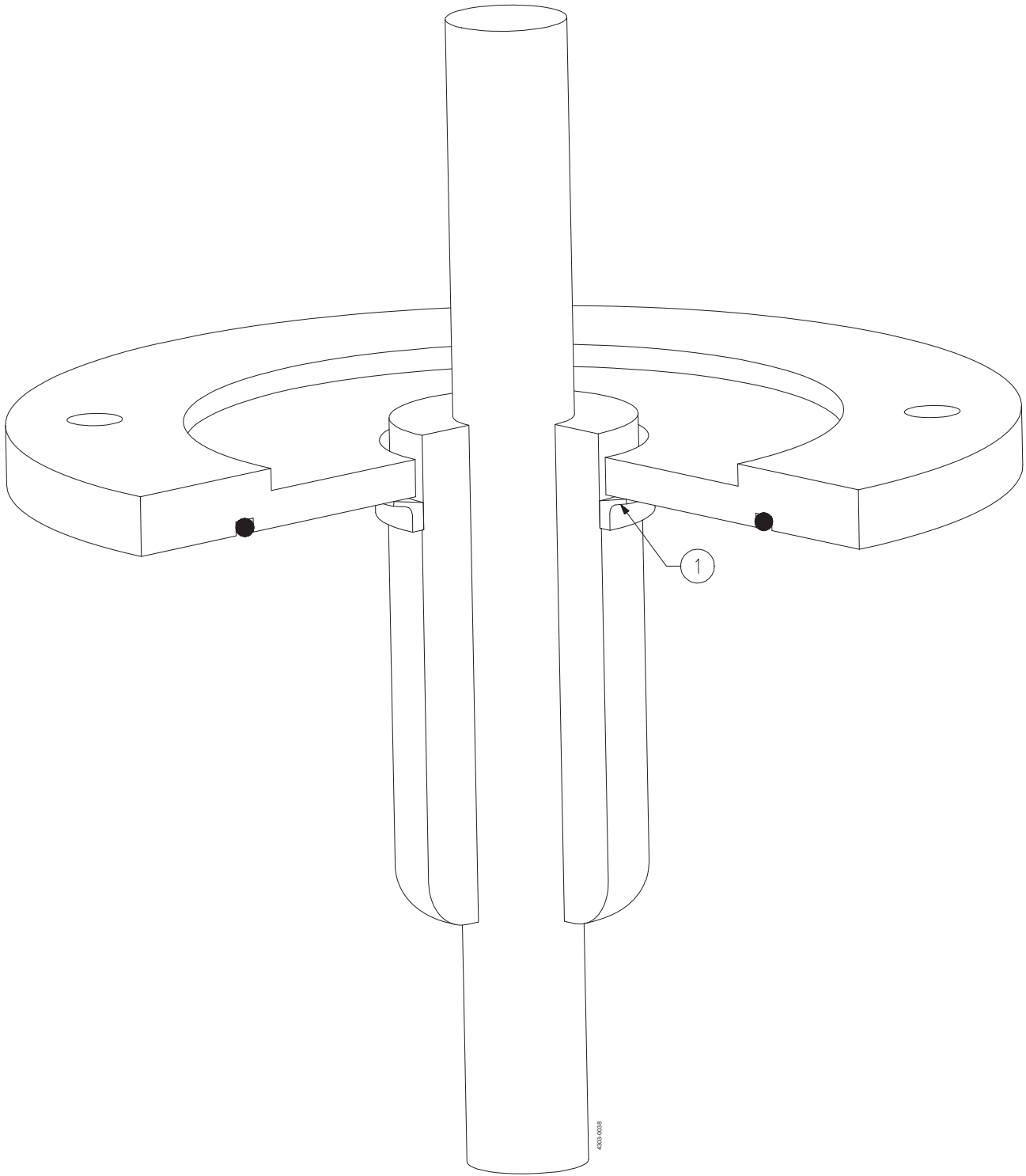
Seal kits

□	Seal Kit, Gap, PTFE	TE2613000023	TE2613000024	TE2613000025	TE2613000026
---	---------------------------	--------------	--------------	--------------	--------------

Pos	Qty	Denomination	size: Ø80	size: Ø90
1	□	1 Gab seal, PTFE	TE2607078360	TE2607078370
2		1 Oil trap		
3	□	2 O-ring, FPM	TE2601000151	TE2601000097
			size: Ø80	size: Ø90

Seal kits

□	Seal Kit, Gap, PTFE	TE2613000027	TE2613000028
---	---------------------------	--------------	--------------



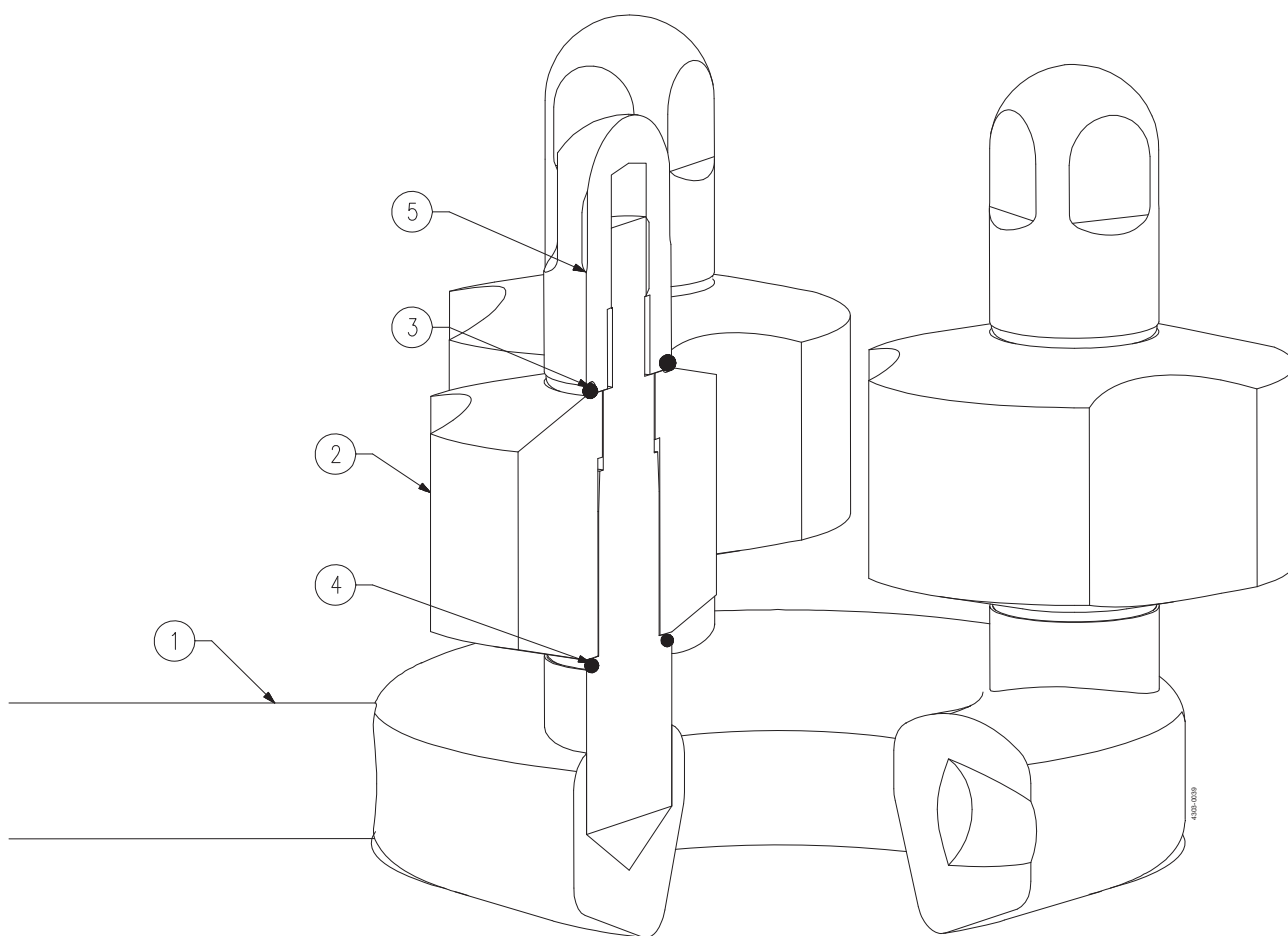
Shaft seal, type V

Pos	Qty	Denomination	size: Ø20	size: Ø25	size: Ø35
1	1	Lib seal (V), FPM	TE2601000229	TE2601000229	TE2601000363

			size: Ø20	size: Ø25	size: Ø35
--	--	--	-----------	-----------	-----------

Service kits

Lip seal (V), FPM TE2601000229 TE2601000229 TE2601000363



Intermediate support

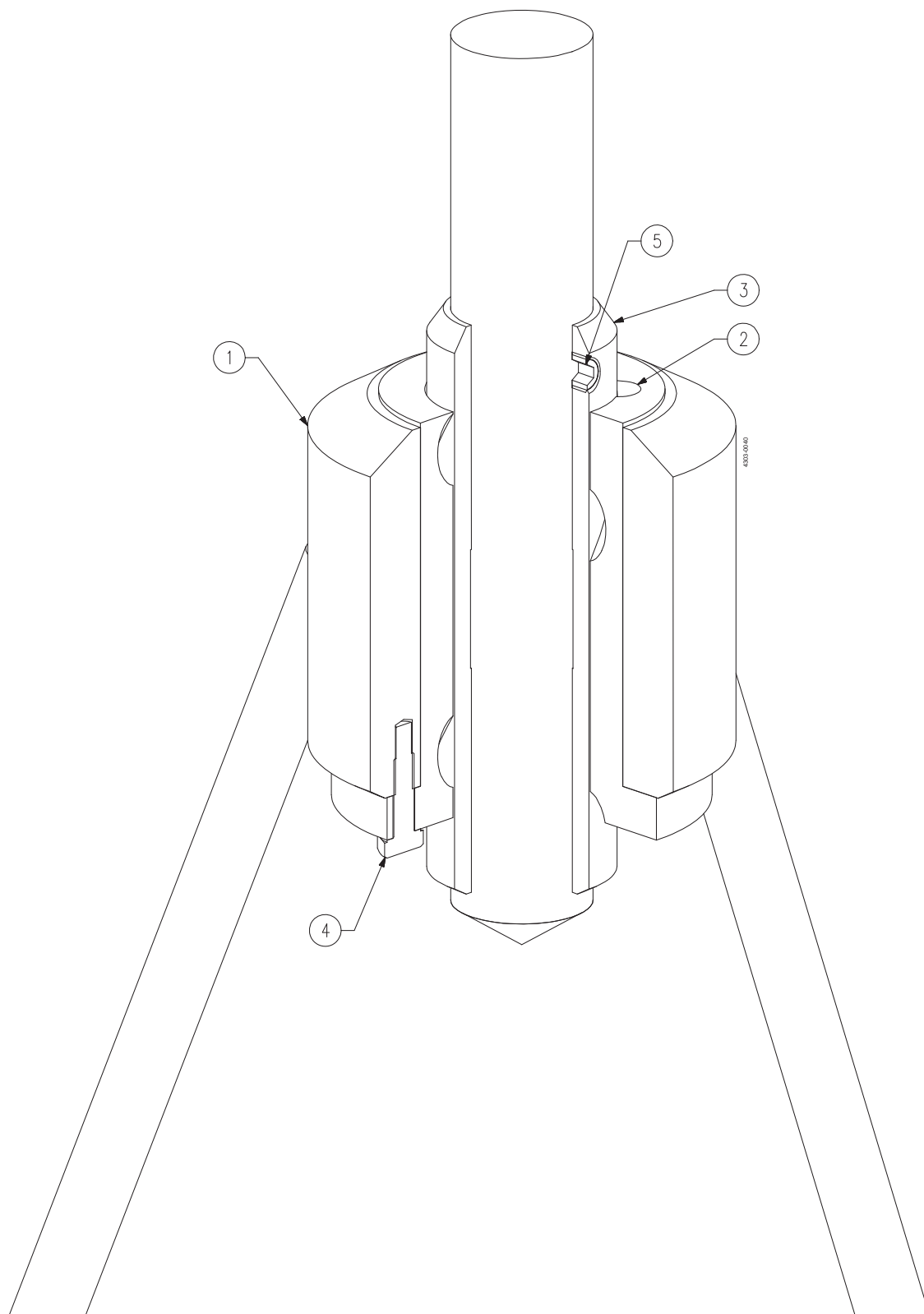
Pos	Qty	Denomination	size:	size:	size:
			Ø35/Ø40/Ø50	Ø55/Ø65/Ø75	Ø60/Ø70/Ø80
1	1	Intermediate steady support	TE26C5079690	TE26C5079730	TE26C5079730
2	□	3 Bushing, PTFE	TE260702671A	TE2607222730	TE2607222850
3	□	3 O-ring, FPM	TE2601000639	TE2601000677	TE2601000677
4	□	3 O-ring, FPM	TE2601000639	TE2601000640	TE2601000640
3	□	3 O-ring, EPDM	TE2601000626	TE2601000676	TE2601000676
4	□	3 O-ring, EPDM	TE2601000626	TE2601000625	TE2601000625
5	3	Nut	TE26C7026860	TE26C7222720	TE26C7222720

size:	size:	size:
Ø35/Ø40/Ø50	Ø55/Ø65/Ø75	Ø60/Ø70/Ø80

Spare part kits

□	Spare part kit, ISB, EPDM/FPM	TE2613079680	TE2613222920	TE2613222930
---	-------------------------------------	--------------	--------------	--------------

Not manufactured anymore



Bottom support, type 1 - obsolete

Pos	Qty	Denomination	size: Ø25	size: Ø30	size: Ø35	size: Ø40
1	1	Bottom steady support	TE26C504149A	TE26C504149A	TE26C504149A	TE26C501852A
	1	Bottom steady support	TE26C504149A	TE26C501852A	TE26C501852A	TE26C5023060
2	□	Bushing, PTFE	TE2607041510	TE2607041450	TE2607041500	TE260702356B
	◆	Bushing, PTFE	TE2607041500	TE260702356B	TE260701849B	TE260702278B
3	◆	Wear sleeve	TE26C7034270	TE26C7034280	TE26C7034290	TE26C7034300
4	1	Screw, special	TE2607018550	TE2607018550	TE2607018550	TE2607018550
5	2	Screw, pointed	TE2601000358	TE2601000358	TE2601000358	TE2601000358
			size: Ø25	size: Ø30	size: Ø35	size: Ø40

Spare part kits

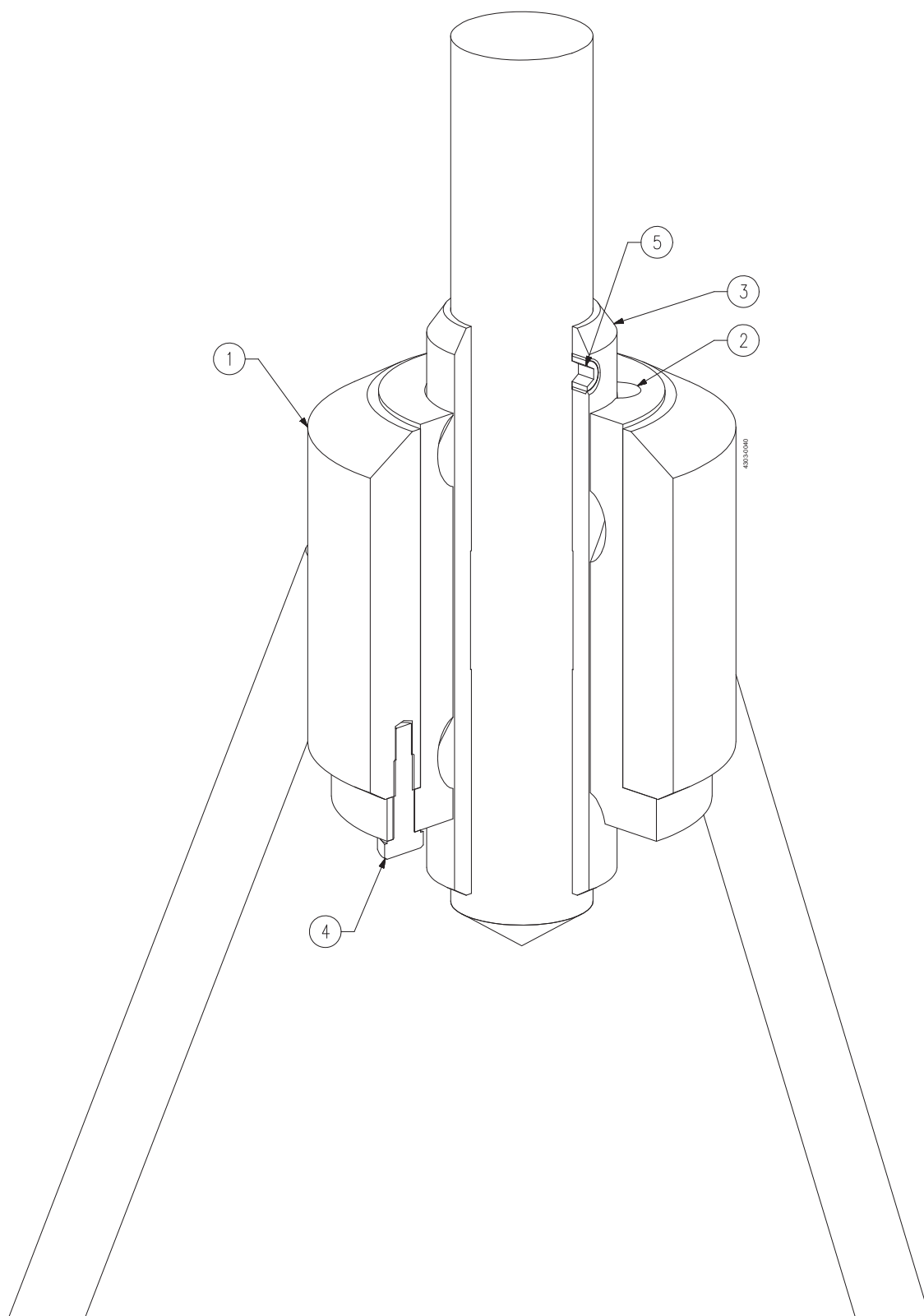
□	Spare part kit, BS1	TE2613000133	TE2613000134	TE2613000135	TE2613000136
◆	Spare part kit, BS1 + wear sleeve	TE2613000165	TE2613000166	TE2613000167	TE2613000168

Pos	Qty	Denomination	size: Ø45	size: Ø50	size: Ø55	size: Ø60
1	1	Bottom steady support	TE26C501852A	TE26C5023060	TE26C5023060	TE26C5023050
	1	Bottom steady support	TE26C5023060	TE26C5023050	TE26C5023050	TE26C5023050
2	□	Bushing, PTFE	TE260701849B	TE260702278B	TE260702240B	TE2607063040
	◆	Bushing, PTFE	TE260702240B	TE2607063040	TE2607063050	TE2607063060
3	◆	Wear sleeve	TE26C703894B	TE26C7034310	TE26C7034320	TE26C7034330
4	1	Screw, special	TE2607018550	TE2607018550	TE2607018550	
	3	Screw, special				TE2607018550
5	2	Screw, pointed	TE2601000358	TE2601000358	TE2601000358	TE2601000358
			size: Ø45	size: Ø50	size: Ø55	size: Ø60

Spare part kits

□	Spare part kit, BS1	TE2613000029	TE2613000030	TE2613000178	TE2613000179
◆	Spare part kit, BS1 + wear sleeve	TE2613000169	TE2613000170	TE2613000171	TE2613000172

Not manufactured anymore



Bottom support, type 1 - obsolete

Pos	Qty	Denomination	size: Ø65	size: Ø70	size: Ø75	size: Ø80
1	1	Bottom steady support	TE26C5023050	TE26C5023050	TE26C5023050	TE26C5079410
	1	Bottom steady support	TE26C5023050	TE26C5079410	TE26C5079410	TE26C5079410
2	□	Bushing, PTFE	TE2607063050	TE2607063060	TE2607063070	TE2607079420
	◆	Bushing, PTFE	TE2607063070	TE2607079420	TE2607079430	TE2607079440
3	◆	Wear sleeve	TE26C7034340	TE26C7034350	TE26C7034360	TE26C7034370
4	3	Screw, special	TE2607018550	TE2607018550	TE2607018550	TE2607018550
5	2	Screw, pointed	TE2601000358	TE2601000358	TE2601000358	TE2601000358
			size: Ø65	size: Ø70	size: Ø75	size: Ø80

Spare part kits

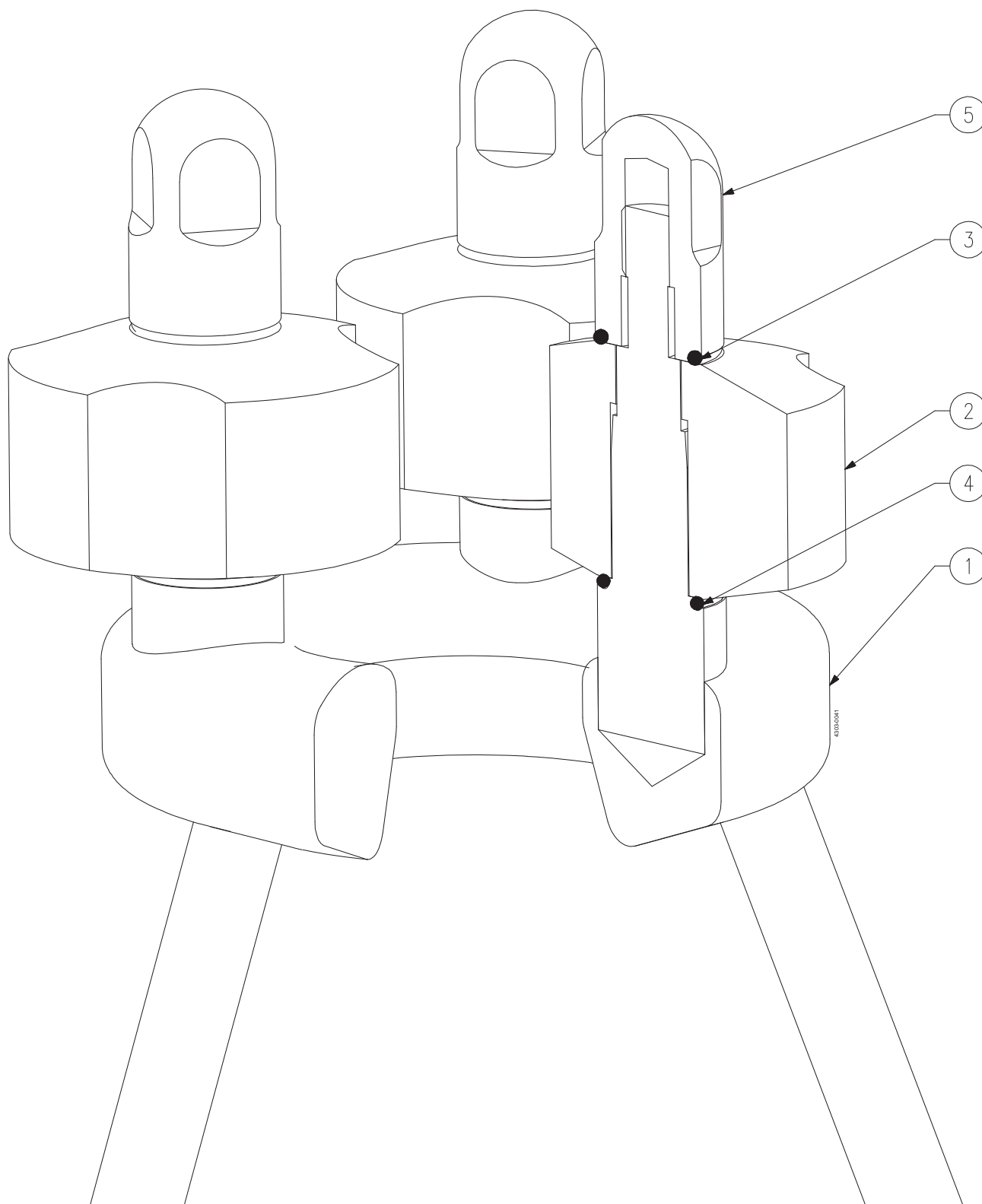
□	Spare part kit, BS1	TE2613000180	TE2613000186	TE2613000187	TE2613000188
◆	Spare part kit, BS1 + wear sleeve	TE2613000173	TE2613000174	TE2613000175	TE2613000177

Pos	Qty	Denomination	size: Ø90
1	1	Bottom steady support	TE26C5079410
2	□	Bushing, PTFE	TE2607079440
4	3	Screw, special	TE2607018550
			size: Ø90

Spare part kits

□	Spare part kit, BS1	TE2613000189
---	---------------------------	--------------

Not manufactured anymore

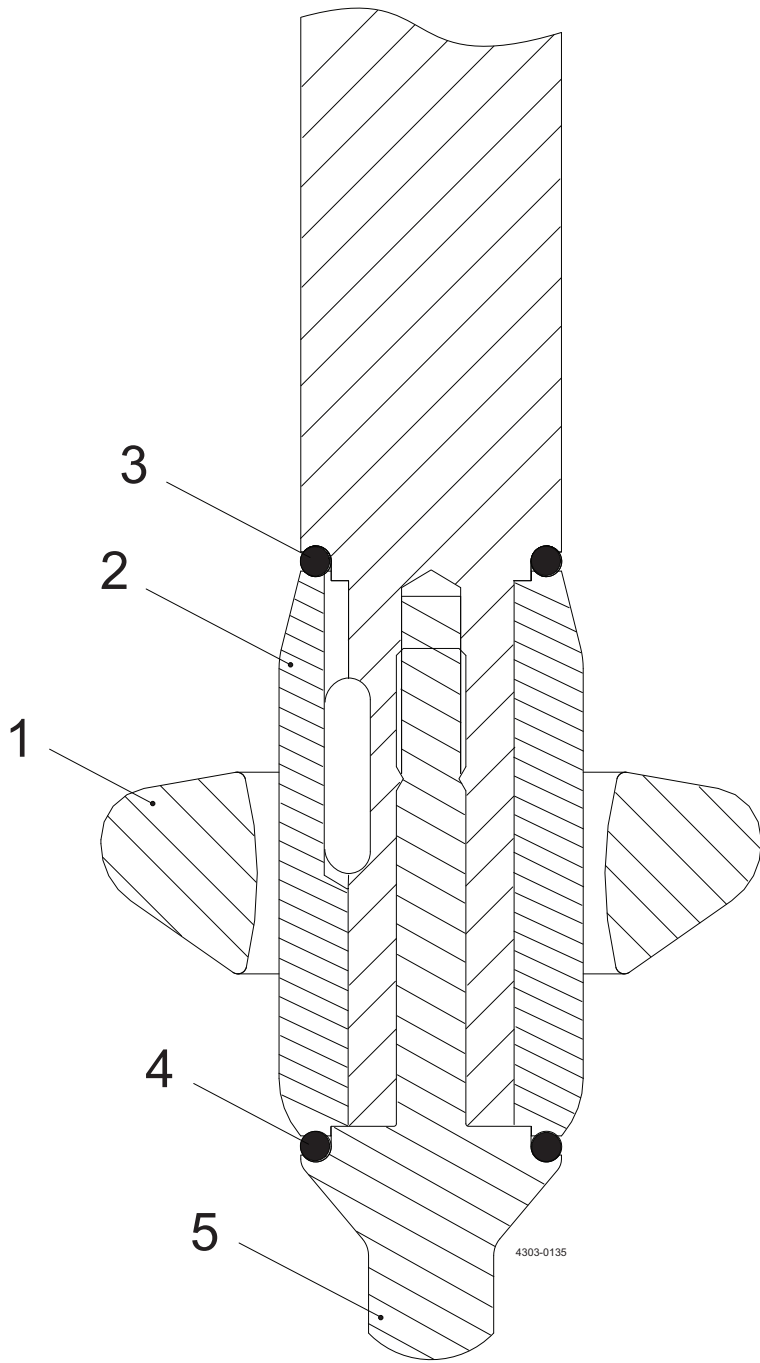


Bottom support, type 2 - obsolete

Pos	Qty	Denomination	size: Ø35/Ø40/Ø50	size: Ø55/Ø65/Ø75	size: Ø60/Ø70/Ø80
1	1	Bottom steady support	TE26C5033220	TE26C5029100	TE26C5029100
2	□♦	Bushing, PTFE	TE260702681A	TE2607222730	TE2607222850
3	□	O-ring, FPM	TE2601000639	TE2601000677	TE2601000677
4	□	O-ring, FPM	TE2601000639	TE2601000640	TE2601000640
3	♦	O-ring, EPDM	TE2601000626	TE2601000676	TE2601000676
4	♦	O-ring, EPDM	TE2601000626	TE2601000625	TE2601000625
5	3	Nut, special	TE26C7026860	TE26C7222720	TE26C7222720
			size: Ø35/Ø40/Ø50	size: Ø55/Ø65/Ø75	size: Ø60/Ø70/Ø80

Spare part kits

□	Spare part kit, BS2, FPM	TE2613209210	TE2613222900	TE2613222910
♦	Spare part kit, BS2, EPDM	TE2613026830	TE2613222740	TE2613222840



Bottom support, type 3

Pos	Qty	Denomination	size:	size:	size:
			Ø30/Ø35/ Ø40Ø45	Ø50/Ø55/ Ø60/Ø65	Ø70/Ø75/ Ø80/Ø90
1	1	Bottom support	9615390801	9615390901	9615391001
2	□♦	Bushing, PEEK	9615391101	9615391201	9615391301
3	□	O-ring, FPM	9615396101	9615396701	TE2601000654
4	□	O-ring, FPM	9615396101	9615396101	9615396101
3	♦	O-ring, EPDM	9615396001	9615396601	TE2601000365
4	♦	O-ring, EPDM	9615396001	9615396001	9615396001
5	1	Screw	9615391801	9615391801	9615391801
			size:	size:	size:
			Ø30/Ø35/ Ø40Ø45	Ø50/Ø55/ Ø60/Ø65	Ø70/Ø75/ Ø80/Ø90
□		Spare part kit, BS3, FPM	9615411604	9615411605	9615411606
♦		Spare part kit, BS3, EPDM	9615411601	9615411602	9615411603

How to contact Alfa Laval

Contact details for all countries are continually updated on our website.

Please visit www.alfalaval.com to access the information directly.

© Alfa Laval Corporate AB

This document and its contents is owned by Alfa Laval Corporate AB and protected by laws governing intellectual property and thereto related rights. It is the responsibility of the user of this document to comply with all applicable intellectual property laws. Without limiting any rights related to this document, no part of this document may be copied, reproduced or transmitted in any form or by any means (electronic, mechanical, photocopying, recording, or otherwise), or for any purpose, without the expressed permission of Alfa Laval Corporate AB. Alfa Laval Corporate AB will enforce its rights related to this document to the fullest extent of the law, including the seeking of criminal prosecution.