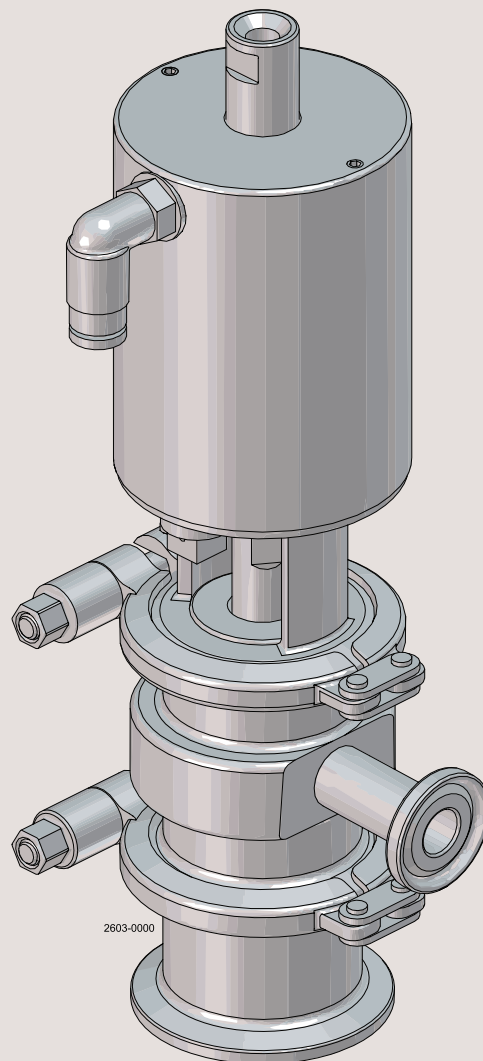




## Spare Parts

### Unique Vacuum Breaker Valve



100017940-EN4 2023-12

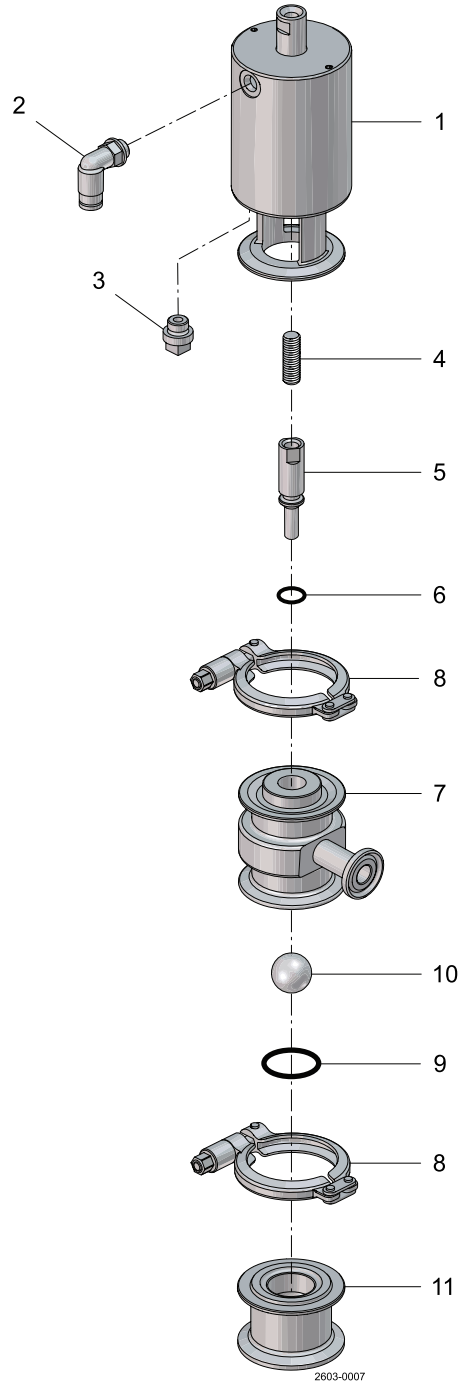
Original manual



---

*The information herein is correct at the time of issue but may be subject to change without prior notice*

1. Unique Vacuum Breaker 38 mm (1½") ..... 4



| Pos | Qty                      | Denomination                         |            |
|-----|--------------------------|--------------------------------------|------------|
| 1   | 1                        | Actuator , NO, blasted .....         | 9612940404 |
| 2   | 1                        | Air fitting, (6 mm tubing) .....     | 9611991988 |
|     | 1                        | Air fitting, (BSP 1/4" tubing) ..... | 9611994682 |
| 3   | 1                        | Plug .....                           | 9613414101 |
| 4   | 1                        | Stud .....                           | 9634083501 |
| 5   | 1                        | Stem .....                           | 9634083101 |
| 6   | <input type="checkbox"/> | O-ring, EPDM .....                   | 9634098302 |
| 7   | 1                        | Body .....                           | 9634083301 |
| 8   | 2                        | Clamp .....                          | 9612939301 |
| 9   | <input type="checkbox"/> | O-ring, EPDM .....                   | 751956     |
| 10  | <input type="checkbox"/> | Ball .....                           | 9634083001 |
| 11  | 1                        | Base .....                           | 9634083401 |

---

**Service kits**

|                          |  |                   |
|--------------------------|--|-------------------|
|                          | <b>Service kits for actuator .....</b> | <b>9611926323</b> |
| <input type="checkbox"/> | <b>Service kit, EPDM .....</b>         | <b>9636000198</b> |

**How to contact Alfa Laval**

Contact details for all countries are continually updated on our website.

Please visit [www.alfalaval.com](http://www.alfalaval.com) to access the information directly.

© Alfa Laval Corporate AB

This document and its contents is owned by Alfa Laval Corporate AB and protected by laws governing intellectual property and thereto related rights. It is the responsibility of the user of this document to comply with all applicable intellectual property laws. Without limiting any rights related to this document, no part of this document may be copied, reproduced or transmitted in any form or by any means (electronic, mechanical, photocopying, recording, or otherwise), or for any purpose, without the expressed permission of Alfa Laval Corporate AB. Alfa Laval Corporate AB will enforce its rights related to this document to the fullest extent of the law, including the seeking of criminal prosecution.