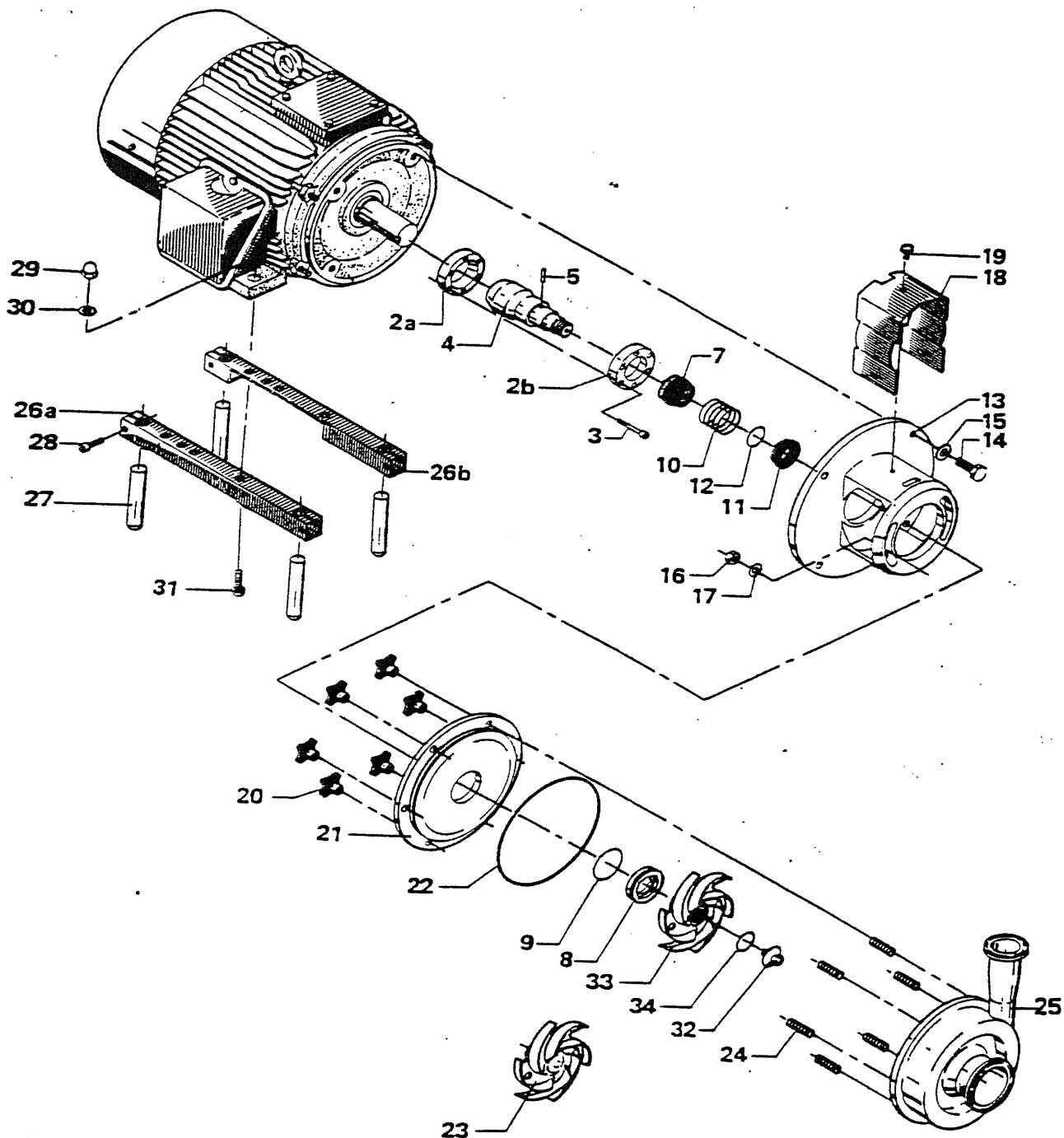


Centrifugal Pump, Type GHH-60 Single Shaft Seal



<u>POS.</u>	<u>QTY.</u>	<u>DESCRIPTION</u>	<u>7 1/2 HP</u>	<u>10 HP</u>	<u>15 HP</u>	<u>20 HP</u>	<u>25 HP</u>	<u>30 HP</u>	<u>40 HP</u>
1	1	MOTOR	213 TC	215 TC	254 TC	258 TC	284 TSC	288 TSC	324 TSC
2a	1	COMPRESSION RING WITH THREAD	9812-1338-08	9812-1338-08	9812-1338-03	9812-1338-03	9812-1338-03	9812-1338-03	9812-1338-03
2b	1	COMPRESSION RING WITHOUT THREAD	9812-1337-08	9812-1337-08	9812-1337-03	9812-1337-03	9812-1337-03	9812-1337-03	9812-1337-03
3	6	SCREW	9811-99-2338	9811-99-2338	9811-99-2504	9811-99-2504	9811-99-2504	9811-99-2504	9811-99-2504
4	1	SHAFT, INC. POS. 5	9812-1332-02	9812-1332-02	9811-1333-02	9811-1333-02	9811-1333-02	9811-1333-02	9811-1334-02
5	1	CONNEX PIN	9811-99-0822	9811-99-0822	9811-99-0022	9811-99-0822	9811-99-0822	9811-99-0822	9811-99-0822
7	1	DRIVE RING	9812-1377-01	9812-1377-01	9812-1377-01	9812-1377-01	9812-1377-01	9812-1377-01	9812-1377-01
13	1	ADAPTOR	9812-3430-01	9812-3430-01	9812-3431-01	9812-3431-01	9812-3431-01	9812-3431-01	9812-3426-02
14	4	SCREW FOR ADAPTOR	2210948-34	2210948-34	2210948-35	2210948-35	2210948-35	2210948-35	2217771-13
15	4	WASHER FOR ADAPTOR	223107-22	223107-22	223107-22	223107-22	223107-22	223107-22	89752
16	2	NUT	9811-99-0353	9811-99-0353	9811-99-0353	9811-99-0353	9811-99-0353	9811-99-0353	9811-99-0353
17	2	WASHER	9811-99-2559	9811-99-2559	9811-99-2559	9811-99-2559	9811-99-2559	9811-99-2559	9811-99-2559
18	1	SAFETY SHIELD	9812-1311-10	9812-1311-10	9812-1311-11	9812-1311-11	9812-1311-11	9812-1311-11	9812-1311-11
19	1	SCREW FOR SAFETY SHIELD	9811-99-2544	9811-99-2544	9811-99-2544	9811-99-2544	9811-99-2544	9811-99-2544	9811-99-2544
20	8	WING NUT	9811-41-6892	9811-41-6892	9811-41-6892	9811-41-6892	9811-41-6892	9811-41-6892	9811-41-6892
21	1	BACKPLATE	9812-1384-18	9812-1384-18	9812-1384-18	9812-1384-18	9812-1384-18	9812-1384-18	9812-1384-18
22	1	JOINT RING, EPDM (std.)	9811-99-2171	9811-99-2171	9811-99-2171	9811-99-2171	9811-99-2171	9811-99-2171	9811-99-2171
	1	JOINT RING, NBR	9811-99-2173	9811-99-2173	9811-99-2173	9811-99-2173	9811-99-2173	9811-99-2173	9811-99-2173
	1	JOINT RING, FPM	9811-99-2172	9811-99-2172	9811-99-2172	9811-99-2172	9811-99-2172	9811-99-2172	9811-99-2172
	1	JOINT RING, PTFE	9811-99-2174	9811-99-2174	9811-99-2174	9811-99-2174	9811-99-2174	9811-99-2174	9811-99-2174
24	8	BOLT	9811-99-2169	9811-99-2169	9811-99-2169	9811-99-2169	9811-99-2169	9811-99-2169	9811-99-2169
25	1	PUMP CASING, GC 4" X 4"	9812-3646-05	9812-3646-05	9812-3646-05	9812-3646-05	9812-3646-05	9812-3646-05	9812-3646-05
	1	PUMP CASING, GC 6" X 4"	9812-3646-08	9812-3646-08	9812-3646-08	9812-3646-08	9812-3646-08	9812-3646-08	9812-3646-08
32	1	IMPELLER SCREW	9812-1396-03	9812-1396-03	9812-1396-03	9812-1396-03	9812-1396-03	9812-1396-03	9812-1396-03
33	1	IMPELLER	9812-1283-08	9812-1283-08	9812-1283-08	9812-1283-08	9812-1283-08	9812-1283-08	9812-1283-08
34	1	O-RING, EPDM	9811-99-2145	9811-99-2145	9811-99-2145	9811-99-2145	9811-99-2145	9811-99-2145	9811-99-2145
	1	O-RING, NBR	9811-99-2147	9811-99-2147	9811-99-2147	9811-99-2147	9811-99-2147	9811-99-2147	9811-99-2147
	1	O-RING, FPM	9811-99-2148	9811-99-2148	9811-99-2148	9811-99-2148	9811-99-2148	9811-99-2148	9811-99-2148
	1	O-RING, PTFE	9811-99-2148	9811-99-2148	9811-99-2148	9811-99-2148	9811-99-2148	9811-99-2148	9811-99-2148
ALTERNATIVES									
23	1	IMPELLER	9812-1283-05	9812-1283-05	9812-1283-05	9812-1283-05	9812-1283-05	9812-1283-05	9812-1283-05
LEGS									
26a	1	SUPPORT BAR, RIGHT	31480-1287-7	31480-1287-7	31480-1287-3	31480-1287-3	31480-1287-4	31480-1287-4	31480-1093-1
26b	1	SUPPORT BAR, LEFT	31480-1288-7	31480-1288-7	31480-1288-3	31480-1288-3	31480-1288-4	31480-1288-4	31480-1093-1
27	4	LEG	31480-1018-1	31480-1018-1	31480-1018-1	31480-1018-1	31480-1018-1	31480-1018-1	31480-1018-1
28	4	SCREW	9811-99-1907	9811-99-1907	9811-99-1907	9811-99-1907	9811-99-1907	9811-99-1907	9811-99-1907
29	4	ACORN CAP NUT	221851-11	221851-11	221851-15	221851-15	221851-15	221851-15	221851-15
30	4	SPRING WASHER	223107-21	223107-21	223107-22	223107-22	223107-22	223107-22	223107-22
31	4	SCREW	9811-99-1811	9811-99-1911	9811-99-1834	9811-99-1834	9811-99-1834	9811-99-1834	9811-99-1834
ACCESSORIES									
*	1	TOOL COMPL.	9812-1371-01						



CENTRIFUGAL PUMP, TYPE GH11-60
SINGLE SHAFT SEAL

<u>POS.</u>	<u>QTY.</u>	<u>DESCRIPTION</u>	
SHAFT SEAL COMPL. EPDM (std.)			
8	1	STATIONARY SEAL RING, SIC	9812-1298-09
9	1	O-RING, EPDM	9812-1379-01
10	1	SPRING	9811-99-2149
11	1	ROTATING SEAL RING, CARBON	9812-1378-01
12	1	O-RING, EPDM	9812-1384-01
SHAFT SEAL COMPL. NBR			
8	1	STATIONARY SEAL RING, SIC	9811-99-2145
9	1	O-RING, NBR	9812-1298-10
10	1	SPRING	9812-1378-01
11	1	ROTATING SEAL RING, CARBON	9812-1379-01
12	1	O-RING, NBR	9811-99-2151
SHAFT SEAL COMPL. FPM			
8	1	STATIONARY SEAL RING, SIC	9812-1298-11
9	1	O-RING, FPM	9812-1379-01
10	1	SPRING	9811-99-2150
11	1	ROTATING SEAL RING, CARBON	9812-1378-01
12	1	O-RING, FPM	9812-1384-01
SHAFT SEAL COMPL. PTFE			
8	1	STATIONARY SEAL RING, SIC	9811-99-2146
9	1	O-RING, PTFE	9812-1298-12
10	1	SPRING	9812-1379-01
11	1	ROTATING SEAL RING, CARBON	9811-99-2152
12	1	O-RING, PTFE	9812-1378-01
ALTERNATIVES			
SHAFT SEAL COMPL. EPDM			
8	1	STATIONARY SEAL RING, SIC	9812-1298-05
9	1	O-RING, EPDM	9812-1379-01
10	1	SPRING	9811-99-2149
11	1	ROTATING SEAL RING, SIC	9812-1378-01
12	1	O-RING, EPDM	9812-1384-02
SHAFT SEAL COMPL. NBR			
8	1	STATIONARY SEAL RING, SIC	9811-99-2145
9	1	O-RING, NBR	9812-1298-08
10	1	SPRING	9812-1379-01
11	1	ROTATING SEAL RING, SIC	9811-99-2151
12	1	O-RING, NBR	9812-1378-01
SHAFT SEAL COMPL. FPM			
8	1	STATIONARY SEAL RING, SIC	9812-1298-07
9	1	O-RING, FPM	9812-1379-01
10	1	SPRING	9811-99-2150
11	1	ROTATING SEAL RING, SIC	9812-1378-01
12	1	O-RING, FPM	9812-1384-02
SHAFT SEAL COMPL. PTFE			
8	1	STATIONARY SEAL RING, SIC	9811-99-2146
9	1	O-RING, PTFE	9812-1298-08
10	1	SPRING	9812-1379-01
11	1	ROTATING SEAL RING, SIC	9811-99-2152
12	1	O-RING, PTFE	9812-1378-01



CSI

CONTACT CSI FOR MORE INFORMATION | CSIDESIGNS.COM | SALES@CSIDESIGNS.COM | 417.831.1411

<u>POS.</u>	<u>QTY.</u>	<u>DESCRIPTION</u>	<u>7 1/2 HP</u>	<u>10 HP</u>	<u>15 HP</u>	<u>20 HP</u>	<u>25 HP</u>	<u>30 HP</u>	<u>40 HP</u>
1	1	MOTOR	213 TC	215 TC	234 TC	258 TC	284 TSC	288 TSC	324 TSC
2a	1	COMPRESSION RING WITH THREAD	9812-1338-08	9812-1338-08	9812-1338-03	9812-1338-03	9812-1338-03	9812-1338-03	9812-1338-03
2b	1	COMPRESSION RING WITHOUT THREAD	9812-1337-08	9812-1337-08	9812-1337-03	9812-1337-03	9812-1337-03	9812-1337-03	9812-1337-03
3	8	SCREW	9811-99-2338	9811-99-2338	9811-99-2304	9811-99-2304	9811-99-2304	9811-99-2304	9811-99-2304
4	1	SHAFT, INC. POS. 5	9812-1332-02	9812-1332-02	9811-1333-02	9811-1333-02	9811-1333-02	9811-1333-02	9811-1334-02
5	1	CONNEX PIN	9811-99-0822	9811-99-0822	9811-99-0822	9811-99-0822	9811-99-0822	9811-99-0822	9811-99-0822
7	1	DRIVE RING	9812-1377-01	9812-1377-01	9812-1377-01	9812-1377-01	9812-1377-01	9812-1377-01	9812-1377-01
13	1	ADAPTOR	9812-3430-01	9812-3430-01	9812-3431-01	9812-3431-01	9812-3431-01	9812-3431-01	9812-3428-02
14	4	SCREW FOR ADAPTOR	2210948-34	2210948-34	2210948-35	2210948-35	2210948-35	2210948-35	2217771-13
15	4	WASHER FOR ADAPTOR	223107-22	223107-22	223107-22	223107-22	223107-22	223107-22	88752
16	2	NUT	9811-99-0353	9811-99-0353	9811-99-0353	9811-99-0353	9811-99-0353	9811-99-0353	9811-99-0353
17	2	WASHER	9811-99-2559	9811-99-2559	9811-99-2559	9811-99-2559	9811-99-2559	9811-99-2559	9811-99-2559
18	1	SAFETY SHIELD	9812-1311-10	9812-1311-10	9812-1311-11	9812-1311-11	9812-1311-11	9812-1311-11	9812-1311-11
19	1	SCREW FOR SAFETY SHIELD	9811-99-2544	9811-99-2544	9811-99-2544	9811-99-2544	9811-99-2544	9811-99-2544	9811-99-2544
20	8	WING NUT	9811-41-6892	9811-41-6892	9811-41-6892	9811-41-6892	9811-41-6892	9811-41-6892	9811-41-6892
21	1	BACKPLATE	9812-1384-08	9812-1384-08	9812-1384-08	9812-1384-08	9812-1384-08	9812-1384-08	9812-1384-08
22	1	JOINT RING, EPDM (std.)	9811-99-2171	9811-99-2171	9811-99-2171	9811-99-2171	9811-99-2171	9811-99-2171	9811-99-2171
	1	JOINT RING, NBR	9811-99-2173	9811-99-2173	9811-99-2173	9811-99-2173	9811-99-2173	9811-99-2173	9811-99-2173
	1	JOINT RING, FPM	9811-99-2172	9811-99-2172	9811-99-2172	9811-99-2172	9811-99-2172	9811-99-2172	9811-99-2172
	1	JOINT RING, PTFE	9811-99-2174	9811-99-2174	9811-99-2174	9811-99-2174	9811-99-2174	9811-99-2174	9811-99-2174
24	6	BOLT	9811-99-2169	9811-99-2169	9811-99-2169	9811-99-2169	9811-99-2169	9811-99-2169	9811-99-2169
25	1	PUMP CASING, GC 4" X 4"	9812-3646-01	9812-3646-01	9812-3646-01	9812-3646-01	9812-3646-01	9812-3646-01	9812-3646-01
	1	PUMP CASING, GC 6" X 4"	9812-3646-02	9812-3646-02	9812-3646-02	9812-3646-02	9812-3646-02	9812-3646-02	9812-3646-02
32	1	IMPELLER SCREW	9812-1398-01	9812-1398-01	9812-1398-01	9812-1398-01	9812-1398-01	9812-1398-01	9812-1398-01
33	1	IMPELLER	9812-1283-02	9812-1283-02	9812-1283-02	9812-1283-02	9812-1283-02	9812-1283-02	9812-1283-02
34	1	O-RING, EPDM	9811-99-2145	9811-99-2145	9811-99-2145	9811-99-2145	9811-99-2145	9811-99-2145	9811-99-2145
	1	O-RING, NBR	9811-99-2147	9811-99-2147	9811-99-2147	9811-99-2147	9811-99-2147	9811-99-2147	9811-99-2147
	1	O-RING, FPM	9811-99-2148	9811-99-2148	9811-99-2148	9811-99-2148	9811-99-2148	9811-99-2148	9811-99-2148
	1	O-RING, PTFE	9811-99-2148	9811-99-2148	9811-99-2148	9811-99-2148	9811-99-2148	9811-99-2148	9811-99-2148
ALTERNATIVES									
23	1	IMPELLER	9812-1283-01	9812-1283-01	9812-1283-01	9812-1283-01	9812-1283-01	9812-1283-01	9812-1283-01
LEGS									
26a	1	SUPPORT BAR, RIGHT	31480-1287-7	31480-1287-7	31480-1287-3	31480-1287-3	31480-1287-4	31480-1287-4	31480-1093-1
26b	1	SUPPORT BAR, LEFT	31480-1288-7	31480-1288-7	31480-1288-3	31480-1288-3	31480-1288-4	31480-1288-4	31480-1093-1
27	4	LEG	31480-1018-1	31480-1018-1	31480-1018-1	31480-1018-1	31480-1018-1	31480-1018-1	31480-1018-1
28	4	SCREW	9811-99-1907	9811-99-1907	9811-99-1907	9811-99-1907	9811-99-1907	9811-99-1907	9811-99-1907
29	4	ACORN CAP NUT	221851-11	221851-11	221851-15	221851-15	221851-15	221851-15	221851-15
30	4	SPRING WASHER	223107-21	223107-21	223107-22	223107-22	223107-22	223107-22	223107-22
31	4	SCREW	9811-99-1811	9811-99-1811	9811-99-1834	9811-99-1834	9811-99-1834	9811-99-1834	9811-99-1834
ACCESSORIES									
*	1	TOOL COMPL.	9812-1371-01						

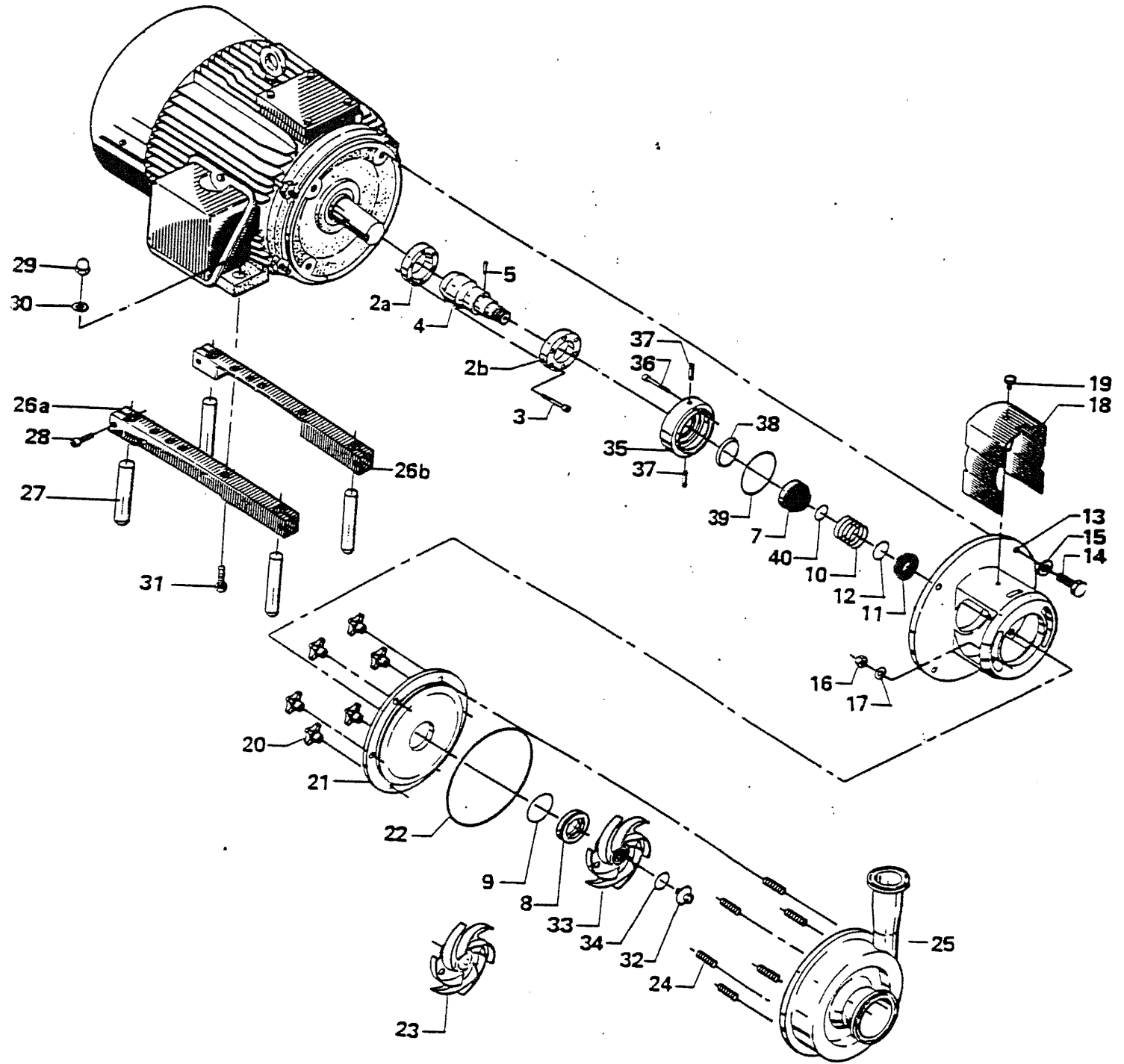


CENTRIFUGAL PUMP, TYPE GIII-60
SINGLE SHAFT SEAL INDUSTRIAL

<u>POS.</u>	<u>QTY.</u>	<u>DESCRIPTION</u>	
SHAFT SEAL COMPL. EPDM (std.)			
8	1	STATIONARY SEAL RING, SIC	9812-1298-09
9	1	O-RING, EPDM	9812-1379-01
10	1	SPRING	9811-99-2149
11	1	ROTATING SEAL RING, CARBON	9812-1378-01
12	1	O-RING, EPDM	9812-1384-01
			9811-99-2145
SHAFT SEAL COMPL. NBR			
8	1	STATIONARY SEAL RING, SIC	9812-1298-10
9	1	O-RING, NBR	9812-1379-01
10	1	SPRING	9811-99-2151
11	1	ROTATING SEAL RING, CARBON	9812-1378-01
12	1	O-RING, NBR	9812-1384-01
			9811-99-2147
SHAFT SEAL COMPL. FPM			
8	1	STATIONARY SEAL RING, SIC	9812-1298-11
9	1	O-RING, FPM	9812-1379-01
10	1	SPRING	9811-99-2150
11	1	ROTATING SEAL RING, CARBON	9812-1378-01
12	1	O-RING, FPM	9812-1384-01
			9811-99-2146
SHAFT SEAL COMPL. PTFE			
8	1	STATIONARY SEAL RING, SIC	9812-1298-12
9	1	O-RING, PTFE	9812-1379-01
10	1	SPRING	9811-99-2152
11	1	ROTATING SEAL RING, CARBON	9812-1378-01
12	1	O-RING, PTFE	9812-1384-01
			9811-99-2148
ALTERNATIVES			
SHAFT SEAL COMPL. EPDM			
8	1	STATIONARY SEAL RING, SIC	9812-1298-05
9	1	O-RING, EPDM	9812-1379-01
10	1	SPRING	9811-99-2149
11	1	ROTATING SEAL RING, SIC	9812-1378-01
12	1	O-RING, EPDM	9812-1384-02
			9811-99-2145
SHAFT SEAL COMPL. NBR			
8	1	STATIONARY SEAL RING, SIC	9812-1298-08
9	1	O-RING, NBR	9812-1379-01
10	1	SPRING	9811-99-2151
11	1	ROTATING SEAL RING, SIC	9812-1378-01
12	1	O-RING, NBR	9812-1384-02
			9811-99-2147
SHAFT SEAL COMPL. FPM			
8	1	STATIONARY SEAL RING, SIC	9812-1298-07
9	1	O-RING, FPM	9812-1379-01
10	1	SPRING	9811-99-2150
11	1	ROTATING SEAL RING, SIC	9812-1378-01
12	1	O-RING, FPM	9812-1384-02
			9811-99-2146
SHAFT SEAL COMPL. PTFE			
8	1	STATIONARY SEAL RING, SIC	9812-1298-08
9	1	O-RING, PTFE	9812-1379-01
10	1	SPRING	9811-99-2152
11	1	ROTATING SEAL RING, SIC	9812-1378-01
12	1	O-RING, PTFE	9812-1384-02
			9811-99-2148



Centrifugal Pump, Type GHH-60 Single - Flushed Shaft Seal



CONTACT CSI FOR MORE INFORMATION | CSIDESIGNS.COM | SALES@CSIDESIGNS.COM | 417.831.1411

POS.	QTY.	DESCRIPTION	7 1/2 HP	10 HP	15 HP	20 HP	25 HP	30 HP	40 HP
1	1	MOTOR	213 TC	215 TC	234 TC	258 TC	284 TSC	288 TSC	324 TSC
2a	1	COMPRESSION RING WITH THREAD	9812-1338-08	9812-1338-08	9812-1338-03	9812-1338-03	9812-1338-03	9812-1338-03	9812-1338-03
2b	1	COMPRESSION RING WITHOUT THREAD	9812-1337-08	9812-1337-08	9812-1337-03	9812-1337-03	9812-1337-03	9812-1337-03	9812-1337-03
3	8	SCREW	9811-99-2338	9811-99-2338	9811-99-2504	9811-99-2504	9811-99-2504	9811-99-2504	9811-99-2504
4	1	SHAFT, INC. POS. 5	9812-1332-02	9812-1332-02	9811-1333-02	9811-1333-02	9811-1333-02	9811-1333-02	9811-1334-02
5	1	CONNEX FIN	9811-99-0822	9811-99-0822	9811-99-0822	9811-99-0822	9811-99-0822	9811-99-0822	9811-99-0822
7	1	DRIVE RING	9812-1387-01	9812-1387-01	9812-1387-01	9812-1387-01	9812-1387-01	9812-1387-01	9812-1387-01
13	1	ADAPTOR	9812-3430-01	9812-3430-01	9812-3431-01	9812-3431-01	9812-3431-01	9812-3431-01	9812-3428-02
14	4	SCREW FOR ADAPTOR	2210948-34	2210948-34	2210948-35	2210948-35	2210948-35	2210948-35	2217771-13
15	4	WASHER FOR ADAPTOR	223107-22	223107-22	223107-22	223107-22	223107-22	223107-22	69752
16	2	NUT	9811-99-0353	9811-99-0353	9811-99-0353	9811-99-0353	9811-99-0353	9811-99-0353	9811-99-0353
17	2	WASHER	9811-99-2559	9811-99-2559	9811-99-2559	9811-99-2559	9811-99-2559	9811-99-2559	9811-99-2559
18	1	SAFETY SHIELD	9812-1311-10	9812-1311-10	9812-1311-11	9812-1311-11	9812-1311-11	9812-1311-11	9812-1311-11
19	1	SCREW FOR SAFETY SHIELD	9811-99-2544	9811-99-2544	9811-99-2544	9811-99-2544	9811-99-2544	9811-99-2544	9811-99-2544
20	8	WING NUT	9811-41-6892	9811-41-6892	9811-41-6892	9811-41-6892	9811-41-6892	9811-41-6892	9811-41-6892
21	1	BACKPLATE	9812-1384-18	9812-1384-18	9812-1384-18	9812-1384-18	9812-1384-18	9812-1384-18	9812-1384-18
22	1	JOINT RING, EPDM (std.)	9811-99-2171	9811-99-2171	9811-99-2171	9811-99-2171	9811-99-2171	9811-99-2171	9811-99-2171
	1	JOINT RING, NBR	9811-99-2173	9811-99-2173	9811-99-2173	9811-99-2173	9811-99-2173	9811-99-2173	9811-99-2173
	1	JOINT RING, FPM	9811-99-2172	9811-99-2172	9811-99-2172	9811-99-2172	9811-99-2172	9811-99-2172	9811-99-2172
	1	JOINT RING, PTFE	9811-99-2174	9811-99-2174	9811-99-2174	9811-99-2174	9811-99-2174	9811-99-2174	9811-99-2174
24	8	BOLT	9811-99-2169	9811-99-2169	9811-99-2169	9811-99-2169	9811-99-2169	9811-99-2169	9811-99-2169
25	1	PUMP CASING, GC 4" X 4"	9812-3646-05	9812-3646-05	9812-3646-05	9812-3646-05	9812-3646-05	9812-3646-05	9812-3646-05
	1	PUMP CASING, GC 6" X 4"	9812-3646-08	9812-3646-08	9812-3646-08	9812-3646-08	9812-3646-08	9812-3646-08	9812-3646-08
32	1	IMPELLER SCREW	9812-1386-03	9812-1386-03	9812-1386-03	9812-1386-03	9812-1386-03	9812-1386-03	9812-1386-03
33	1	IMPELLER	9812-1283-08	9812-1283-08	9812-1283-08	9812-1283-08	9812-1283-08	9812-1283-08	9812-1283-08
34	1	O-RING, EPDM	9811-99-2145	9811-99-2145	9811-99-2145	9811-99-2145	9811-99-2145	9811-99-2145	9811-99-2145
	1	O-RING, NBR	9811-99-2147	9811-99-2147	9811-99-2147	9811-99-2147	9811-99-2147	9811-99-2147	9811-99-2147
	1	O-RING, FPM	9811-99-2146	9811-99-2146	9811-99-2146	9811-99-2146	9811-99-2146	9811-99-2146	9811-99-2146
	1	O-RING, PTFE	9811-99-2148	9811-99-2148	9811-99-2148	9811-99-2148	9811-99-2148	9811-99-2148	9811-99-2148
35	1	SEAL HOUSING	9812-1339-01	9812-1339-01	9812-1339-01	9812-1339-01	9812-1339-01	9812-1339-01	9812-1339-01
36	2	SCREW FOR SEAL HOUSING	9811-99-0203	9811-99-0203	9811-99-0203	9811-99-0203	9811-99-0203	9811-99-0203	9811-99-0203
37	2	PIPE	9812-3589-02	9812-3589-02	9812-3589-02	9812-3589-02	9812-3589-02	9812-3589-02	9812-3589-02
38	1	UP SEAL	31446-0088-2	31446-0088-2	31446-0088-2	31446-0088-2	31446-0088-2	31446-0088-2	31446-0088-2
39	1	O-RING FOR SEAL HOUSING, EPDM	9811-99-2153	9811-99-2153	9811-99-2153	9811-99-2153	9811-99-2153	9811-99-2153	9811-99-2153
40	1	O-RING FOR DRIVE RING, EPDM	9811-99-2145	9811-99-2145	9811-99-2145	9811-99-2145	9811-99-2145	9811-99-2145	9811-99-2145
ALTERNATIVES									
23	1	IMPELLER	9812-1283-05	9812-1283-05	9812-1283-05	9812-1283-05	9812-1283-05	9812-1283-05	9812-1283-05
LEGS									
26a	1	SUPPORT BAR, RIGHT	31460-1287-7	31460-1287-7	31460-1287-3	31460-1287-3	31460-1287-4	31460-1287-4	31460-1093-1
26b	1	SUPPORT BAR, LEFT	31460-1288-7	31460-1288-7	31460-1288-3	31460-1288-3	31460-1288-4	31460-1288-4	31460-1093-1
27	4	LEG	31460-1018-1	31460-1018-1	31460-1018-1	31460-1018-1	31460-1018-1	31460-1018-1	31460-1018-1
28	4	SCREW	9811-99-1907	9811-99-1907	9811-99-1907	9811-99-1907	9811-99-1907	9811-99-1907	9811-99-1907
29	4	ACORN CAP NUT	221851-11	221851-11	221851-15	221851-15	221851-15	221851-15	221851-15
30	4	SPRING WASHER	223107-21	223107-21	223107-22	223107-22	223107-22	223107-22	223107-22
31	4	SCREW	9811-99-1911	9811-99-1911	9811-99-1834	9811-99-1834	9811-99-1834	9811-99-1834	9811-99-1834
ACCESSORIES									
*	1	TOOL COMPL.	9812-1371-01						



CENTRIFUGAL PUMP, TYPE GIII-60
SINGLE - FLUSHED SHAFT SEAL

<u>POS.</u>	<u>QTY.</u>	<u>DESCRIPTION</u>	
SHAFT SEAL COMPL. EPDM (std.)			
8	1	STATIONARY SEAL RING, SIC	9812-1298-09
9	1	O-RING, EPDM	9812-1379-01
10	1	SPRING	9811-99-2149
11	1	ROTATING SEAL RING, CARBON	9812-1378-01
12	1	O-RING, EPDM	9812-1384-01
			9811-99-2145
SHAFT SEAL COMPL. NBR			
8	1	STATIONARY SEAL RING, SIC	9812-1298-10
9	1	O-RING, NBR	9812-1379-01
10	1	SPRING	9811-99-2151
11	1	ROTATING SEAL RING, CARBON	9812-1378-01
12	1	O-RING, NBR	9812-1384-01
			9811-99-2147
SHAFT SEAL COMPL. FPM			
8	1	STATIONARY SEAL RING, SIC	9812-1298-11
9	1	O-RING, FPM	9812-1379-01
10	1	SPRING	9811-99-2150
11	1	ROTATING SEAL RING, CARBON	9812-1378-01
12	1	O-RING, FPM	9812-1384-01
			9811-99-2148
SHAFT SEAL COMPL. PTFE			
8	1	STATIONARY SEAL RING, SIC	9812-1298-12
9	1	O-RING, PTFE	9812-1379-01
10	1	SPRING	9811-99-2152
11	1	ROTATING SEAL RING, CARBON	9812-1378-01
12	1	O-RING, PTFE	9812-1384-01
			9811-99-2148
ALTERNATIVES			
SHAFT SEAL COMPL. EPDM			
8	1	STATIONARY SEAL RING, SIC	9812-1298-05
9	1	O-RING, EPDM	9812-1379-01
10	1	SPRING	9811-99-2149
11	1	ROTATING SEAL RING, SIC	9812-1378-01
12	1	O-RING, EPDM	9812-1384-02
			9811-99-2145
SHAFT SEAL COMPL. NBR			
8	1	STATIONARY SEAL RING, SIC	9812-1298-08
9	1	O-RING, NBR	9812-1379-01
10	1	SPRING	9811-99-2151
11	1	ROTATING SEAL RING, SIC	9812-1378-01
12	1	O-RING, NBR	9812-1384-02
			9811-99-2147
SHAFT SEAL COMPL. FPM			
8	1	STATIONARY SEAL RING, SIC	9812-1298-07
9	1	O-RING, FPM	9812-1379-01
10	1	SPRING	9811-99-2150
11	1	ROTATING SEAL RING, SIC	9812-1378-01
12	1	O-RING, FPM	9812-1384-02
			9811-99-2148
SHAFT SEAL COMPL. PTFE			
8	1	STATIONARY SEAL RING, SIC	9812-1298-09
9	1	O-RING, PTFE	9812-1379-01
10	1	SPRING	9811-99-2152
11	1	ROTATING SEAL RING, SIC	9812-1378-01
12	1	O-RING, PTFE	9812-1384-02
			9811-99-2148



POS.	QTY.	DESCRIPTION	7 1/2 HP	10 HP	15 HP	20 HP	25 HP	30 HP	40 HP
1	1	MOTOR	213 TC	215 TC	254 TC	256 TC	284 TSC	286 TSC	324 TSC
2a	1	COMPRESSION RING WITH THREAD	9812-1338-08	9812-1338-08	9812-1338-03	9812-1338-03	9812-1338-03	9812-1338-03	9812-1338-03
2b	1	COMPRESSION RING WITHOUT THREAD	9812-1337-08	9812-1337-08	9812-1337-03	9812-1337-03	9812-1337-03	9812-1337-03	9812-1337-03
3	6	SCREW	9811-99-2338	9811-99-2338	9811-99-2504	9811-99-2504	9811-99-2504	9811-99-2504	9811-99-2504
4	1	SHAFT, INC. POS. 5	9812-1332-02	9812-1332-02	9811-1333-02	9811-1333-02	9811-1333-02	9811-1333-02	9811-1334-02
5	1	CONNEX PIN	9811-99-0822	9811-99-0822	9811-99-0822	9811-99-0822	9811-99-0822	9811-99-0822	9811-99-0822
7	1	DRIVE RING	9812-1397-01	9812-1397-01	9812-1397-01	9812-1397-01	9812-1397-01	9812-1397-01	9812-1397-01
13	1	ADAPTOR	9812-3430-01	9812-3430-01	9812-3431-01	9812-3431-01	9812-3431-01	9812-3431-01	9812-3428-02
14	4	SCREW FOR ADAPTOR	2210948-34	2210948-34	2210948-35	2210948-35	2210948-35	2210948-35	2217771-13
15	4	WASHER FOR ADAPTOR	223107-22	223107-22	223107-22	223107-22	223107-22	223107-22	69752
16	2	NUT	9811-99-0353	9811-99-0353	9811-99-0353	9811-99-0353	9811-99-0353	9811-99-0353	9811-99-0353
17	2	WASHER	9811-99-2559	9811-99-2559	9811-99-2559	9811-99-2559	9811-99-2559	9811-99-2559	9811-99-2559
18	1	SAFETY SHIELD	9812-1311-10	9812-1311-10	9812-1311-11	9812-1311-11	9812-1311-11	9812-1311-11	9812-1311-11
19	1	SCREW FOR SAFETY SHIELD	9811-99-2544	9811-99-2544	9811-99-2544	9811-99-2544	9811-99-2544	9811-99-2544	9811-99-2544
20	6	WING NUT	9811-41-6892	9811-41-6892	9811-41-6892	9811-41-6892	9811-41-6892	9811-41-6892	9811-41-6892
21	1	BACKPLATE	9812-1384-08	9812-1384-08	9812-1384-08	9812-1384-08	9812-1384-08	9812-1384-08	9812-1384-08
22	1	JOINT RING, EPDM (std.)	9811-99-2171	9811-99-2171	9811-99-2171	9811-99-2171	9811-99-2171	9811-99-2171	9811-99-2171
	1	JOINT RING, NBR	9811-99-2173	9811-99-2173	9811-99-2173	9811-99-2173	9811-99-2173	9811-99-2173	9811-99-2173
	1	JOINT RING, FPM	9811-99-2172	9811-99-2172	9811-99-2172	9811-99-2172	9811-99-2172	9811-99-2172	9811-99-2172
	1	JOINT RING, PTFE	9811-99-2174	9811-99-2174	9811-99-2174	9811-99-2174	9811-99-2174	9811-99-2174	9811-99-2174
24	6	BOLT	9811-99-2189	9811-99-2189	9811-99-2189	9811-99-2189	9811-99-2189	9811-99-2189	9811-99-2189
25	1	PUMP CASING, GC 4" X 4"	9812-3646-01	9812-3646-01	9812-3646-01	9812-3646-01	9812-3646-01	9812-3646-01	9812-3646-01
	1	PUMP CASING, GC 6" X 4"	9812-3646-02	9812-3646-02	9812-3646-02	9812-3646-02	9812-3646-02	9812-3646-02	9812-3646-02
32	1	IMPELLER SCREW	9812-1398-01	9812-1398-01	9812-1398-01	9812-1398-01	9812-1398-01	9812-1398-01	9812-1398-01
33	1	IMPELLER	9812-1283-02	9812-1283-02	9812-1283-02	9812-1283-02	9812-1283-02	9812-1283-02	9812-1283-02
34	1	O-RING, EPDM	9811-99-2145	9811-99-2145	9811-99-2145	9811-99-2145	9811-99-2145	9811-99-2145	9811-99-2145
	1	O-RING, NBR	9811-99-2147	9811-99-2147	9811-99-2147	9811-99-2147	9811-99-2147	9811-99-2147	9811-99-2147
	1	O-RING, FPM	9811-99-2148	9811-99-2148	9811-99-2148	9811-99-2148	9811-99-2148	9811-99-2148	9811-99-2148
	1	O-RING, PTFE	9811-99-2148	9811-99-2148	9811-99-2148	9811-99-2148	9811-99-2148	9811-99-2148	9811-99-2148
35	1	SEAL HOUSING	9812-1339-01	9812-1339-01	9812-1339-01	9812-1339-01	9812-1339-01	9812-1339-01	9812-1339-01
36	2	SCREW FOR SEAL HOUSING	9811-99-0203	9811-99-0203	9811-99-0203	9811-99-0203	9811-99-0203	9811-99-0203	9811-99-0203
37	2	PIPE	9812-3589-02	9812-3589-02	9812-3589-02	9812-3589-02	9812-3589-02	9812-3589-02	9812-3589-02
38	1	LIP SEAL	31446-0088-2	31446-0088-2	31446-0088-2	31446-0088-2	31446-0088-2	31446-0088-2	31446-0088-2
39	1	O-RING FOR SEAL HOUSING, EPDM	9811-99-2153	9811-99-2153	9811-99-2153	9811-99-2153	9811-99-2153	9811-99-2153	9811-99-2153
40	1	O-RING FOR DRIVE RING, EPDM	9811-99-2145	9811-99-2145	9811-99-2145	9811-99-2145	9811-99-2145	9811-99-2145	9811-99-2145
ALTERNATIVES									
23	1	IMPELLER	9812-1283-01	9812-1283-01	9812-1283-01	9812-1283-01	9812-1283-01	9812-1283-01	9812-1283-01
LEGS									
26a	1	SUPPORT BAR, RIGHT	31460-1287-7	31460-1287-7	31460-1287-3	31460-1287-3	31460-1287-4	31460-1287-4	31460-1093-1
26b	1	SUPPORT BAR, LEFT	31460-1288-7	31460-1288-7	31460-1288-3	31460-1288-3	31460-1288-4	31460-1288-4	31460-1093-1
27	4	LEG	31460-1018-1	31460-1018-1	31460-1018-1	31460-1018-1	31460-1018-1	31460-1018-1	31460-1018-1
28	4	SCREW	9811-99-1907	9811-99-1907	9811-99-1907	9811-99-1907	9811-99-1907	9811-99-1907	9811-99-1907
29	4	ACORN CAP NUT	221851-11	221851-11	221851-15	221851-15	221851-15	221851-15	221851-15
30	4	SPRING WASHER	223107-21	223107-21	223107-22	223107-22	223107-22	223107-22	223107-22
31	4	SCREW	9811-99-1911	9811-99-1911	9811-99-1834	9811-99-1834	9811-99-1834	9811-99-1834	9811-99-1834
ACCESSORIES									
*	1	TOOL COMPL.	9812-1371-01						



CENTRIFUGAL PUMP, TYPE G111-00
SINGLE - FLUSHED SHAFT SEAL INDUSTRIAL

<u>POS.</u>	<u>QTY.</u>	<u>DESCRIPTION</u>	
SHAFT SEAL COMPL. EPDM (std.)			
8	1	STATIONARY SEAL RING, SIC	9812-1298-09
9	1	O-RING, EPDM	9812-1378-01
10	1	SPRING	9811-89-2149
11	1	ROTATING SEAL RING, CARBON	9812-1378-01
12	1	O-RING, EPDM	9812-1384-01
SHAFT SEAL COMPL. NBR			
8	1	STATIONARY SEAL RING, SIC	9811-89-2145
9	1	O-RING, NBR	9812-1298-10
10	1	SPRING	9812-1378-01
11	1	ROTATING SEAL RING, CARBON	9812-1384-01
12	1	O-RING, NBR	9811-89-2147
SHAFT SEAL COMPL. FPM			
8	1	STATIONARY SEAL RING, SIC	9812-1298-11
9	1	O-RING, FPM	9812-1378-01
10	1	SPRING	9811-89-2150
11	1	ROTATING SEAL RING, CARBON	9812-1378-01
12	1	O-RING, FPM	9812-1384-01
SHAFT SEAL COMPL. PTFE			
8	1	STATIONARY SEAL RING, SIC	9811-89-2148
9	1	O-RING, PTFE	9812-1298-12
10	1	SPRING	9812-1378-01
11	1	ROTATING SEAL RING, CARBON	9812-1378-01
12	1	O-RING, PTFE	9812-1384-01
ALTERNATIVES			
SHAFT SEAL COMPL. EPDM			
8	1	STATIONARY SEAL RING, SIC	9812-1298-05
9	1	O-RING, EPDM	9812-1378-01
10	1	SPRING	9811-89-2149
11	1	ROTATING SEAL RING, SIC	9812-1378-01
12	1	O-RING, EPDM	9812-1384-02
SHAFT SEAL COMPL. NBR			
8	1	STATIONARY SEAL RING, SIC	9811-89-2145
9	1	O-RING, NBR	9812-1298-08
10	1	SPRING	9812-1378-01
11	1	ROTATING SEAL RING, SIC	9812-1378-01
12	1	O-RING, NBR	9812-1384-02
SHAFT SEAL COMPL. FPM			
8	1	STATIONARY SEAL RING, SIC	9811-89-2148
9	1	O-RING, FPM	9812-1298-07
10	1	SPRING	9812-1378-01
11	1	ROTATING SEAL RING, SIC	9812-1378-01
12	1	O-RING, FPM	9812-1384-02
SHAFT SEAL COMPL. PTFE			
8	1	STATIONARY SEAL RING, SIC	9811-89-2148
9	1	O-RING, PTFE	9812-1298-08
10	1	SPRING	9812-1378-01
11	1	ROTATING SEAL RING, SIC	9812-1378-01
12	1	O-RING, PTFE	9812-1384-02

