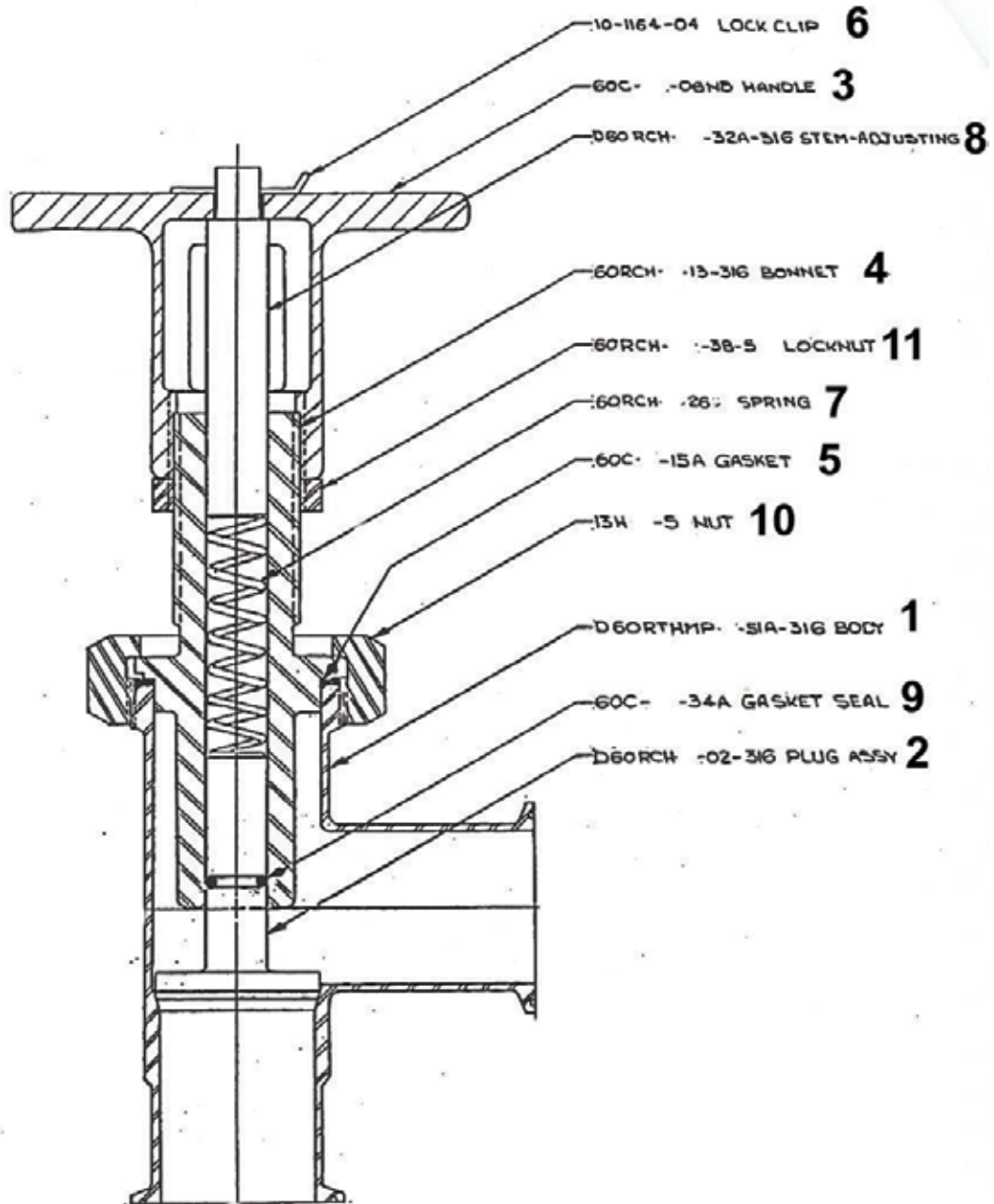


D60RTHMP Relief Valve

Central States Industrial
 2700 Partnership Boulevard
 Springfield, MO 65803
 800.654.5635
<http://www.csidesigns.com>



Pos.	Qty.	Description	1"	1½"	2"	2½"	3"
1	1	Body	n/a	n/a	n/a	n/a	n/a
2	1	Stem	620406	620408	620412	620416	620418
3	1	Handle	720756	722115	722115	724287	724287
4	1	Bonnet	620130	622246	623192	620003	620646
5	1 x	Gasket	299013	299014	299015	299016	299017
6	1	Clip	628530	628531	628531	628531	628531
7	1	Spring	620929	622256	623489	624403	625388
		Standard Spring Pressure Range (psi)	5-15	5-25	5-25	5-25	5-25
8	1	Adj Stem	620233	620243	620243	620355	620375
9	1 x	O ring-Buna	299056	299057	299057	299057	299060
9	1 x	O ring-SFY	290011	290010	290010	290010	290161
10	1	Hex Nut	010221	011250	012350	013236	014265
11	1	Lock Nut	020170	622204	622204	622205	622205
Additional Spring Ranges							
7	1	Spring (A)	620933	622258	623482	624391	625383
		Pressure Range (psi)	20-35	20-35	20-35	20-35	25-45
7	1	Spring (B)	620935	622248	623491	624410	625961
		Pressure Range (psi)	30-50	30-50	30-50	40-60	40-60
7	1	Spring (C)	620936	622245	624116	---	---
		Pressure Range (psi)	40-60	2-8	50-70		
7	1	Spring (D)	620939	622244	629645	---	625415
		Pressure Range (psi)	60-75	75-85	85		75
7	1	Spring (E)	---	622241	---	---	---
		Pressure Range (psi)		50-75			
x included in service kits							
		Service Kit Buna	9613990626	9613990628	9613990630	9613990632	9613990634
		Service Kit SFY	9613990627	9613990629	9613990631	9613990633	9613990635

