



| Pos.                | Qty. | Denomination                          | 2 Hp         | 3 Hp         | 5 Hp         | 10 Hp        |              |              |
|---------------------|------|---------------------------------------|--------------|--------------|--------------|--------------|--------------|--------------|
| 1                   | 1    | Motor .....                           | 143 TC       | 145 TC       | 182 TC       | 184 TC       | 213 TC       | 215 TC       |
| 2a                  | 1    | Compression ring with thread .....    | 9612-1336-01 | 9612-1336-01 | 9612-1336-02 | 9612-1336-02 | 9612-1336-06 | 9612-1336-06 |
| 2b                  | 1    | Compression ring without thread ..... | 9612-1337-01 | 9612-1337-01 | 9612-1337-02 | 9612-1337-02 | 9612-1337-06 | 9612-1337-06 |
| 3                   | 6    | Screw .....                           | 9611-99-2032 | 9611-99-2032 | 9611-99-2032 | 9611-99-2032 | 9611-99-2032 | 9611-99-2032 |
| 4                   | 1    | Shaft, inc. pos. 5 .....              |              |              | 9612-1331-02 | 9612-1331-02 | 9612-1332-02 | 9612-1332-02 |
| 5                   | 1    | Shaft, inc. pos. 5 + 6 .....          | 9612-1330-02 | 9612-1330-02 |              |              |              |              |
| 6                   | 1    | Connex pin .....                      | 9611-99-0622 | 9611-99-0622 | 9611-99-0622 | 9611-99-0622 | 9611-99-0622 | 9611-99-0622 |
| 7                   | 1    | Retaining ring .....                  | 9611-99-2307 | 9611-99-2307 |              |              |              |              |
| 13                  | 1    | Drive ring .....                      | 9612-1377-01 | 9612-1377-01 | 9612-1377-01 | 9612-1377-01 | 9612-1377-01 | 9612-1377-01 |
| 14                  | 4    | Adaptor .....                         | 9612-1298-01 | 9612-1298-01 | 9612-1345-01 | 9612-1345-01 | 9612-1346-01 | 9612-1346-01 |
| 15                  | 4    | Screw for adaptor .....               | 2210942      | 2210942      | 2210948-34   | 2210948-34   | 2210948-34   | 2210948-34   |
| 16                  | 4    | Washer for adaptor .....              | 41381        | 41381        | 223107-22    | 223107-22    | 223107-22    | 223107-22    |
| 17                  | 2    | Nut .....                             | 9611-99-0353 | 9611-99-0353 | 9611-99-0353 | 9611-99-0353 | 9611-99-0353 | 9611-99-0353 |
| 18                  | 2    | Washer .....                          | 9611-99-0786 | 9611-99-0786 | 9611-99-0786 | 9611-99-0786 | 9611-99-0786 | 9611-99-0786 |
| 19                  | 1    | Safety shield .....                   | 9612-1297-03 | 9612-1297-03 | 9612-1311-06 | 9612-1311-06 | 9612-1311-07 | 9612-1311-07 |
| 20                  | 1    | Screw for safety shield .....         | 31460-1309-1 | 31460-1309-1 | 31460-1309-1 | 31460-1309-1 | 31460-1309-1 | 31460-1309-1 |
| 21                  | 6    | Handle .....                          | 9611-99-2302 | 9611-99-2302 | 9611-99-2302 | 9611-99-2302 | 9611-99-2302 | 9611-99-2302 |
| 22                  | 1    | Backplate .....                       | 9612-1384-04 | 9612-1384-04 | 9612-1384-04 | 9612-1384-04 | 9612-1384-04 | 9612-1384-04 |
| 23                  | 1    | Joint ring, EPDM, (std.) .....        | 9611-99-2137 | 9611-99-2137 | 9611-99-2137 | 9611-99-2137 | 9611-99-2137 | 9611-99-2137 |
| 24                  | 1    | Joint ring, NBR .....                 | 9611-99-2139 | 9611-99-2139 | 9611-99-2139 | 9611-99-2139 | 9611-99-2139 | 9611-99-2139 |
| 25                  | 1    | Joint ring, FPM .....                 | 9611-99-2138 | 9611-99-2138 | 9611-99-2138 | 9611-99-2138 | 9611-99-2138 | 9611-99-2138 |
| 26                  | 1    | Joint ring, PTFE .....                | 9611-99-2140 | 9611-99-2140 | 9611-99-2140 | 9611-99-2140 | 9611-99-2140 | 9611-99-2140 |
| 27                  | 6    | Bolt .....                            | 9611-99-2168 | 9611-99-2168 | 9611-99-2168 | 9611-99-2168 | 9611-99-2168 | 9611-99-2168 |
| 28                  | 1    | Pump casing, GC .....                 | 9612-1288-06 | 9612-1288-06 | 9612-1288-06 | 9612-1288-06 | 9612-1288-06 | 9612-1288-06 |
| 29                  | 1    | Pump casing, bev. seat .....          | 9612-1288-07 | 9612-1288-07 | 9612-1288-07 | 9612-1288-07 | 9612-1288-07 | 9612-1288-07 |
| 30                  | 1    | Pump casing, H-line .....             | 9612-1288-08 | 9612-1288-08 | 9612-1288-08 | 9612-1288-08 | 9612-1288-08 | 9612-1288-08 |
| 31                  | 1    | Pump casing, HDI .....                | 9612-1288-10 | 9612-1288-10 | 9612-1288-10 | 9612-1288-10 | 9612-1288-10 | 9612-1288-10 |
| 32                  | 1    | Pump casing, NPT .....                | 9612-1288-11 | 9612-1288-11 | 9612-1288-11 | 9612-1288-11 | 9612-1288-11 | 9612-1288-11 |
| 33                  | 1    | Impeller screw .....                  | 9612-1396-01 | 9612-1396-01 | 9612-1396-01 | 9612-1396-01 | 9612-1396-01 | 9612-1396-01 |
| 34                  | 1    | Impeller .....                        | 9612-1312-02 | 9612-1312-02 | 9612-1312-02 | 9612-1312-02 | 9612-1312-02 | 9612-1312-02 |
| 35                  | 1    | O-ring EPDM .....                     | 9611-99-2145 | 9611-99-2145 | 9611-99-2145 | 9611-99-2145 | 9611-99-2145 | 9611-99-2145 |
| 36                  | 1    | O-ring NBR .....                      | 9611-99-2147 | 9611-99-2147 | 9611-99-2147 | 9611-99-2147 | 9611-99-2147 | 9611-99-2147 |
| 37                  | 1    | O-ring FPM .....                      | 9611-99-2146 | 9611-99-2146 | 9611-99-2146 | 9611-99-2146 | 9611-99-2146 | 9611-99-2146 |
| 38                  | 1    | O-ring PTFE .....                     | 9611-99-2148 | 9611-99-2148 | 9611-99-2148 | 9611-99-2148 | 9611-99-2148 | 9611-99-2148 |
| <b>Alternatives</b> |      |                                       |              |              |              |              |              |              |
| 23                  | 1    | Impeller .....                        | 9612-1312-01 | 9612-1312-01 | 9612-1312-01 | 9612-1312-01 | 9612-1312-01 | 9612-1312-01 |
| <b>Legs</b>         |      |                                       |              |              |              |              |              |              |
| 26a                 | 1    | Support bar, right .....              | 31460-1287-6 | 31460-1287-6 | 31460-1287-5 | 31460-1287-5 | 31460-1287-2 | 31460-1287-2 |
| 26b                 | 1    | Support bar, left .....               | 31460-1288-6 | 31460-1288-6 | 31460-1288-5 | 31460-1288-5 | 31460-1288-2 | 31460-1288-2 |
| 27                  | 4    | Leg .....                             | 31460-1018-1 | 31460-1018-1 | 31460-1018-1 | 31460-1018-1 | 31460-1018-1 | 31460-1018-1 |
| 28                  | 4    | Screw .....                           | 9611-99-1907 | 9611-99-1907 | 9611-99-1907 | 9611-99-1907 | 9611-99-1907 | 9611-99-1907 |
| 29                  | 4    | Acorn cap nut .....                   | 221851-14    | 221851-14    | 221851-11    | 221851-11    | 221851-11    | 221851-11    |
| 30                  | 4    | Spring washer .....                   | 41381        | 41381        | 223107-21    | 223107-21    | 223107-21    | 223107-21    |
| 31                  | 4    | Screw .....                           | 9611-99-1910 | 9611-99-1910 | 9611-99-1911 | 9611-99-1911 | 9611-99-1911 | 9611-99-1911 |
| <b>Accessories</b>  |      |                                       |              |              |              |              |              |              |
| 1                   | 1    | Tool compl. ....                      | 9612-1371-01 |              |              |              |              |              |

| Pos.                | Qty. | Denomination                                |              |
|---------------------|------|---|--------------|
| 8                   | 1    | Shaft seal compl. EPDM (std.) .....         | 9612-1296-01 |
| 9                   | 1    | Stationary seal ring, stainless steel ..... | 9612-1378-01 |
| 10                  | 1    | O-ring, EPDM .....                          | 9611-99-2149 |
| 11                  | 1    | Spring .....                                | 9612-1376-01 |
| 12                  | 1    | Rotating seal ring, carbon .....            | 9612-1364-01 |
| 13                  | 1    | O-ring, EPDM .....                          | 9611-99-2145 |
| <b>Alternatives</b> |      |   |              |
| 8                   | 1    | Shaft seal compl. NBR .....                 | 9612-1296-02 |
| 9                   | 1    | Stationary seal ring, stainless steel ..... | 9612-1378-01 |
| 10                  | 1    | O-ring, NBR .....                           | 9611-99-2151 |
| 11                  | 1    | Spring .....                                | 9612-1376-01 |
| 12                  | 1    | Rotating seal ring, carbon .....            | 9612-1364-01 |
| 13                  | 1    | O-ring, NBR .....                           | 9611-99-2147 |
| <b>Alternatives</b> |      |   |              |
| 8                   | 1    | Shaft seal compl. FPM .....                 | 9612-1296-03 |
| 9                   | 1    | Stationary seal ring, stainless steel ..... | 9612-1378-01 |
| 10                  | 1    | O-ring, FPM .....                           | 9611-99-2150 |
| 11                  | 1    | Spring .....                                | 9612-1376-01 |
| 12                  | 1    | Rotating seal ring, carbon .....            | 9612-1364-01 |
| 13                  | 1    | O-ring, FPM .....                           | 9611-99-2146 |
| <b>Alternatives</b> |      |   |              |
| 8                   | 1    | Shaft seal compl. PTFE .....                | 9612-1296-04 |
| 9                   | 1    | Stationary seal ring, stainless steel ..... | 9612-1378-01 |
| 10                  | 1    | O-ring, PTFE .....                          | 9611-99-2152 |
| 11                  | 1    | Spring .....                                | 9612-1376-01 |
| 12                  | 1    | Rotating seal ring, carbon .....            | 9612-1364-01 |
| 13                  | 1    | O-ring, PTFE .....                          | 9611-99-2148 |
| <b>Alternatives</b> |      |   |              |
| 8                   | 1    | Shaft seal compl. EPDM .....                | 9612-1296-05 |
| 9                   | 1    | Stationary seal ring, sic. ....             | 9612-1379-01 |
| 10                  | 1    | O-ring, EPDM .....                          | 9611-99-2149 |
| 11                  | 1    | Spring .....                                | 9612-1376-01 |
| 12                  | 1    | Rotating seal ring sic. ....                | 9612-1364-02 |
| 13                  | 1    | O-ring, EPDM .....                          | 9611-99-2145 |
| <b>Alternatives</b> |      |   |              |
| 8                   | 1    | Shaft seal compl. NBR .....                 | 9612-1296-06 |
| 9                   | 1    | Stationary seal ring, sic. ....             | 9612-1379-01 |
| 10                  | 1    | O-ring, NBR .....                           | 9611-99-2151 |
| 11                  | 1    | Spring .....                                | 9612-1376-01 |
| 12                  | 1    | Rotating seal ring sic. ....                | 9612-1364-02 |
| 13                  | 1    | O-ring, NBR .....                           | 9611-99-2147 |
| <b>Alternatives</b> |      |   |              |
| 8                   | 1    | Shaft seal compl. FPM .....                 | 9612-1296-07 |
| 9                   | 1    | Stationary seal ring, sic. ....             | 9612-1379-01 |
| 10                  | 1    | O-ring, FPM .....                           | 9611-99-2150 |
| 11                  | 1    | Spring .....                                | 9612-1376-01 |
| 12                  | 1    | Rotating seal ring sic. ....                | 9612-1364-02 |
| 13                  | 1    | O-ring, FPM .....                           | 9611-99-2146 |
| <b>Alternatives</b> |      |   |              |
| 8                   | 1    | Shaft seal compl. PTFE .....                | 9612-1296-08 |
| 9                   | 1    | Stationary seal ring, sic. ....             | 9612-1379-01 |
| 10                  | 1    | O-ring, PTFE .....                          | 9611-99-2152 |
| 11                  | 1    | Spring .....                                | 9612-1376-01 |
| 12                  | 1    | Rotating seal ring sic. ....                | 9612-1364-02 |
| 13                  | 1    | O-ring, PTFE .....                          | 9611-99-2148 |

\* Not shown



| Pos.                | Qty. | Denomination                    | 1 1/2 Hp     | 2 Hp         | 3 Hp         | 5 Hp         | 7 1/2 Hp     | 10 Hp        |
|---------------------|------|---------------------------------|--------------|--------------|--------------|--------------|--------------|--------------|
| 1                   | 1    | Motor                           | 143 TC       | 145 TC       | 182 TC       | 184 TC       | 213 TC       | 215 TC       |
| 2a                  | 1    | Compression ring with thread    | 9612-1336-01 | 9612-1336-01 | 9612-1336-02 | 9612-1336-02 | 9612-1336-06 | 9612-1336-06 |
| 2b                  | 1    | Compression ring without thread | 9612-1337-01 | 9612-1337-01 | 9612-1337-02 | 9612-1337-02 | 9612-1337-06 | 9612-1337-06 |
| 3                   | 6    | Screw                           | 9611-99-2032 | 9611-99-2032 | 9611-99-2032 | 9611-99-2032 | 9611-99-2338 | 9611-99-2338 |
| 4                   | 1    | Shaft, inc. pos. 5              |              |              | 9612-1331-02 | 9612-1331-02 | 9612-1332-02 | 9612-1332-02 |
|                     | 1    | Shaft, inc. pos. 5 + 6          | 9612-1330-02 | 9612-1330-02 |              |              |              |              |
| 5                   | 1    | Connex pin                      | 9611-99-0622 | 9611-99-0622 | 9611-99-0622 | 9611-99-0622 | 9611-99-0622 | 9611-99-0622 |
| 6                   | 1    | Retaining ring                  | 9611-99-2307 | 9611-99-2307 |              |              |              |              |
| 7                   | 1    | Drive ring                      | 9612-1397-01 | 9612-1397-01 | 9612-1397-01 | 9612-1397-01 | 9612-1397-01 | 9612-1397-01 |
| 13                  | 1    | Adaptor                         | 9612-1298-01 | 9612-1298-01 | 9612-1345-01 | 9612-1345-01 | 9612-1346-01 | 9612-1346-01 |
| 14                  | 4    | Screw for adaptor               | 2210942      | 2210942      | 2210948-34   | 2210948-34   | 2210948-34   | 2210948-34   |
| 15                  | 4    | Washer for adaptor              | 41381        | 41381        | 223107-22    | 223107-22    | 223107-22    | 223107-22    |
| 16                  | 2    | Nut                             | 9611-99-0353 | 9611-99-0353 | 9611-99-0353 | 9611-99-0353 | 9611-99-0353 | 9611-99-0353 |
| 17                  | 2    | Washer                          | 9611-99-0786 | 9611-99-0786 | 9611-99-0786 | 9611-99-0786 | 9611-99-0786 | 9611-99-0786 |
| 18                  | 1    | Safety shield                   | 9612-1297-03 | 9612-1297-03 | 9612-1311-06 | 9612-1311-06 | 9612-1311-07 | 9612-1311-07 |
| 19                  | 1    | Screw for safety shield         | 31460-1309-1 | 31460-1309-1 | 31460-1309-1 | 31460-1309-1 | 31460-1309-1 | 31460-1309-1 |
| 20                  | 6    | Handle                          | 9611-99-2302 | 9611-99-2302 | 9611-99-2302 | 9611-99-2302 | 9611-99-2302 | 9611-99-2302 |
| 21                  | 1    | Backplate                       | 9612-1384-04 | 9612-1384-04 | 9612-1384-04 | 9612-1384-04 | 9612-1384-04 | 9612-1384-04 |
| 22                  | 1    | Joint ring, EPDM (std.)         | 9611-99-2137 | 9611-99-2137 | 9611-99-2137 | 9611-99-2137 | 9611-99-2137 | 9611-99-2137 |
|                     | 1    | Joint ring, NBR                 | 9611-99-2139 | 9611-99-2139 | 9611-99-2139 | 9611-99-2139 | 9611-99-2139 | 9611-99-2139 |
|                     | 1    | Joint ring, FPM                 | 9611-99-2138 | 9611-99-2138 | 9611-99-2138 | 9611-99-2138 | 9611-99-2138 | 9611-99-2138 |
|                     | 1    | Joint ring, PTFE                | 9611-99-2140 | 9611-99-2140 | 9611-99-2140 | 9611-99-2140 | 9611-99-2140 | 9611-99-2140 |
| 24                  | 6    | Bolt                            | 9611-99-2168 | 9611-99-2168 | 9611-99-2168 | 9611-99-2168 | 9611-99-2168 | 9611-99-2168 |
| 25                  | 1    | Pump casing, GC                 | 9612-1288-06 | 9612-1288-06 | 9612-1288-06 | 9612-1288-06 | 9612-1288-06 | 9612-1288-06 |
|                     | 1    | Pump casing, Bev. seat          | 9612-1288-07 | 9612-1288-07 | 9612-1288-07 | 9612-1288-07 | 9612-1288-07 | 9612-1288-07 |
|                     | 1    | Pump casing, H-line             | 9612-1288-08 | 9612-1288-08 | 9612-1288-08 | 9612-1288-08 | 9612-1288-08 | 9612-1288-08 |
|                     | 1    | Pump casing, HDI                | 9612-1288-10 | 9612-1288-10 | 9612-1288-10 | 9612-1288-10 | 9612-1288-10 | 9612-1288-10 |
|                     | 1    | Pump casing, NPT                | 9612-1288-11 | 9612-1288-11 | 9612-1288-11 | 9612-1288-11 | 9612-1288-11 | 9612-1288-11 |
| 32                  | 1    | Impeller screw                  | 9612-1396-01 | 9612-1396-01 | 9612-1396-01 | 9612-1396-01 | 9612-1396-01 | 9612-1396-01 |
| 33                  | 1    | Impeller                        | 9612-1312-02 | 9612-1312-02 | 9612-1312-02 | 9612-1312-02 | 9612-1312-02 | 9612-1312-02 |
| 34                  | 1    | O-ring EPDM                     | 9611-99-2145 | 9611-99-2145 | 9611-99-2145 | 9611-99-2145 | 9611-99-2145 | 9611-99-2145 |
|                     | 1    | O-ring NBR                      | 9611-99-2147 | 9611-99-2147 | 9611-99-2147 | 9611-99-2147 | 9611-99-2147 | 9611-99-2147 |
|                     | 1    | O-ring FPM                      | 9611-99-2146 | 9611-99-2146 | 9611-99-2146 | 9611-99-2146 | 9611-99-2146 | 9611-99-2146 |
|                     | 1    | O-ring PTFE                     | 9611-99-2148 | 9611-99-2148 | 9611-99-2148 | 9611-99-2148 | 9611-99-2148 | 9611-99-2148 |
| 35                  | 1    | Seal housing                    | 9612-1339-01 | 9612-1339-01 | 9612-1339-01 | 9612-1339-01 | 9612-1339-01 | 9612-1339-01 |
| 36                  | 2    | Screw for seal housing          | 9611-99-0203 | 9611-99-0203 | 9611-99-0203 | 9611-99-0203 | 9611-99-0203 | 9611-99-0203 |
| 37                  | 2    | Pipe                            | 31457-0056-1 | 31457-0056-1 | 31457-0056-1 | 31457-0056-1 | 31457-0056-1 | 31457-0056-1 |
| 38                  | 1    | Lip seal                        | 31446-0088-2 | 31446-0088-2 | 31446-0088-2 | 31446-0088-2 | 31446-0088-2 | 31446-0088-2 |
| 39                  | 1    | O-ring for seal housing, EPDM   | 9611-99-2153 | 9611-99-2153 | 9611-99-2153 | 9611-99-2153 | 9611-99-2153 | 9611-99-2153 |
| 40                  | 1    | O-ring for drive ring, EPDM     | 9611-99-2145 | 9611-99-2145 | 9611-99-2145 | 9611-99-2145 | 9611-99-2145 | 9611-99-2145 |
| <b>Alternatives</b> |      |                                 |              |              |              |              |              |              |
| 23                  | 1    | Impeller                        | 9612-1312-01 | 9612-1312-01 | 9612-1312-01 | 9612-1312-01 | 9612-1312-01 | 9612-1312-01 |
| <b>Legs</b>         |      |                                 |              |              |              |              |              |              |
| 26a                 | 1    | Support bar, right              | 31460-1287-6 | 31460-1287-6 | 31460-1287-5 | 31460-1287-5 | 31460-1287-2 | 31460-1287-2 |
| 26b                 | 1    | Support bar, left               | 31460-1288-6 | 31460-1288-6 | 31460-1288-5 | 31460-1288-5 | 31460-1288-2 | 31460-1288-2 |
| 27                  | 4    | Leg                             | 31460-1018-1 | 31460-1018-1 | 31460-1018-1 | 31460-1018-1 | 31460-1018-1 | 31460-1018-1 |
| 28                  | 4    | Screw                           | 9611-99-1907 | 9611-99-1907 | 9611-99-1907 | 9611-99-1907 | 9611-99-1907 | 9611-99-1907 |
| 29                  | 4    | Acorn cap nut                   | 221851-14    | 221851-14    | 221851-11    | 221851-11    | 221851-11    | 221851-11    |
| 30                  | 4    | Spring washer                   | 41381        | 41381        | 223107-21    | 223107-21    | 223107-21    | 223107-21    |
| 31                  | 4    | Screw                           | 9611-99-1910 | 9611-99-1910 | 9611-99-1911 | 9611-99-1911 | 9611-99-1911 | 9611-99-1911 |
| <b>Accessories</b>  |      |                                 |              |              |              |              |              |              |
| *                   | 1    | Tool compl.                     | 9612-1371-01 |              |              |              |              |              |

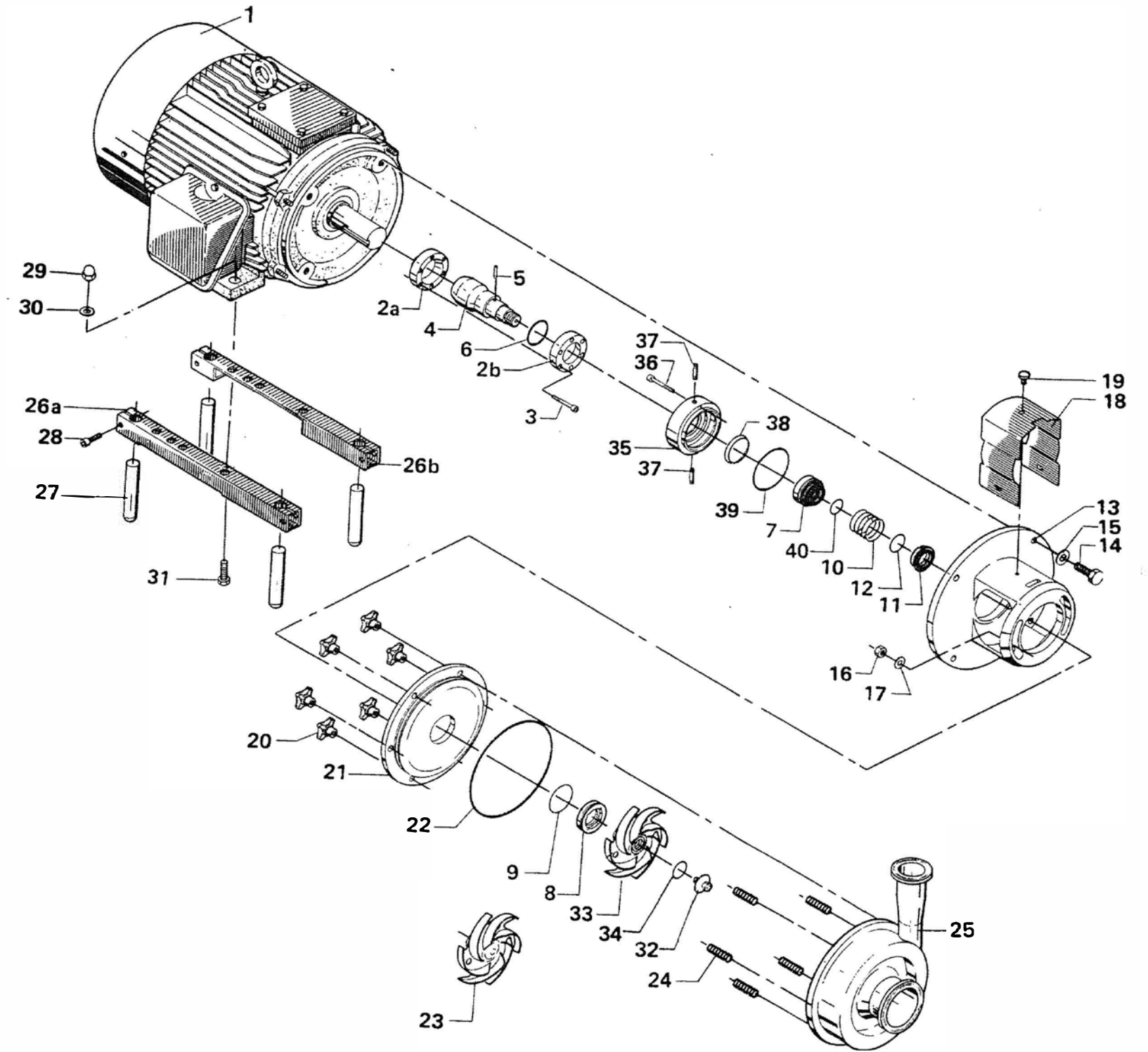
| Pos.                | Qty. | Denomination                          |              |
|---------------------|------|---------------------------------------|--------------|
|                     |      | Shaft seal compl. EPDM (std.)         | 9612-1296-01 |
| 8                   | 1    | Stationary seal ring, stainless steel | 9612-1378-01 |
| 9                   | 1    | O-ring, EPDM                          | 9611-99-2149 |
| 10                  | 1    | Spring                                | 9612-1376-01 |
| 11                  | 1    | Rotating seal ring, carbon            | 9612-1364-01 |
| 12                  | 1    | O-ring, EPDM                          | 9611-99-2145 |
|                     |      | Shaft seal compl. NBR                 | 9612-1296-02 |
| 8                   | 1    | Stationary seal ring, stainless steel | 9612-1378-01 |
| 9                   | 1    | O-ring, NBR                           | 9611-99-2151 |
| 10                  | 1    | Spring                                | 9612-1376-01 |
| 11                  | 1    | Rotating seal ring, carbon            | 9612-1364-01 |
| 12                  | 1    | O-ring, NBR                           | 9611-99-2147 |
|                     |      | Shaft seal compl. FPM                 | 9612-1296-03 |
| 8                   | 1    | Stationary seal ring, stainless steel | 9612-1378-01 |
| 9                   | 1    | O-ring, FPM                           | 9611-99-2150 |
| 10                  | 1    | Spring                                | 9612-1376-01 |
| 11                  | 1    | Rotating seal ring, carbon            | 9612-1364-01 |
| 12                  | 1    | O-ring, FPM                           | 9611-99-2146 |
|                     |      | Shaft seal compl. PTFE                | 9612-1296-04 |
| 8                   | 1    | Stationary seal ring, stainless steel | 9612-1378-01 |
| 9                   | 1    | O-ring, PTFE                          | 9611-99-2152 |
| 10                  | 1    | Spring                                | 9612-1376-01 |
| 11                  | 1    | Rotating seal ring, carbon            | 9612-1364-01 |
| 12                  | 1    | O-ring, PTFE                          | 9611-99-2148 |
| <b>Alternatives</b> |      |                                       |              |
|                     |      | Shaft seal compl. EPDM                | 9612-1296-05 |
| 8                   | 1    | Stationary seal ring, sic.            | 9612-1379-01 |
| 9                   | 1    | O-ring, EPDM                          | 9611-99-2149 |
| 10                  | 1    | Spring                                | 9612-1376-01 |
| 11                  | 1    | Rotating seal ring sic.               | 9612-1364-02 |
| 12                  | 1    | O-ring, EPDM                          | 9611-99-2145 |
|                     |      | Shaft seal compl. NBR                 | 9612-1296-06 |
| 8                   | 1    | Stationary seal ring, sic.            | 9612-1379-01 |
| 9                   | 1    | O-ring, NBR                           | 9611-99-2151 |
| 10                  | 1    | Spring                                | 9612-1376-01 |
| 11                  | 1    | Rotating seal ring sic.               | 9612-1364-02 |
| 12                  | 1    | O-ring, NBR                           | 9611-99-2147 |
|                     |      | Shaft seal compl. FPM                 | 9612-1296-07 |
| 8                   | 1    | Stationary seal ring, sic.            | 9612-1379-01 |
| 9                   | 1    | O-ring, FPM                           | 9611-99-2150 |
| 10                  | 1    | Spring                                | 9612-1376-01 |
| 11                  | 1    | Rotating seal ring sic.               | 9612-1364-02 |
| 12                  | 1    | O-ring, FPM                           | 9611-99-2146 |
|                     |      | Shaft seal compl. PTFE                | 9612-1296-08 |
| 8                   | 1    | Stationary seal ring, sic.            | 9612-1379-01 |
| 9                   | 1    | O-ring, PTFE                          | 9611-99-2152 |
| 10                  | 1    | Spring                                | 9612-1376-01 |
| 11                  | 1    | Rotating seal ring sic.               | 9612-1364-02 |
| 12                  | 1    | O-ring, PTFE                          | 9611-99-2148 |

\* Not shown

Conversion kit single to double shaft seal: 9611-92-2042







| Pos. | Qty. | Denomination                          | 1 1/2 Hp     | 2 Hp         | 3 Hp         | 5 Hp         | 7 1/2 Hp     | 10 Hp        | Pos. | Qty. | Denomination                        |
|------|------|---------------------------------------|--------------|--------------|--------------|--------------|--------------|--------------|------|------|-------------------------------------|
| 1    | 1    | Motor .....                           | 143 TC       | .145 TC      | 182 TC       | 184 TC       | 213 TC       | 215 TC       |      |      |                                     |
| 2a   | 1    | Compression ring with thread .....    | 9612-1336-01 | 9612-1336-01 | 9612-1336-02 | 9612-1336-02 | 9612-1336-06 | 9612-1336-06 | 8    | 1    | Shaft seal compl. EPDM (std.) ..... |
| 2b   | 1    | Compression ring without thread ..... | 9612-1337-01 | 9612-1337-01 | 9612-1337-02 | 9612-1337-02 | 9612-1337-06 | 9612-1337-06 |      |      | Stationary seal ring, .....         |
| 3    | 6    | Screw .....                           | 9611-99-2032 | 9611-99-2032 | 9611-99-2032 | 9611-99-2032 | 9611-99-2338 | 9611-99-2338 |      |      | stainless steel                     |
| 4    | 1    | Shaft, inc. pos. 5 .....              |              |              | 9612-1331-02 | 9612-1331-02 | 9612-1332-02 | 9612-1332-02 | 9    | 1    | O-ring, EPDM .....                  |
|      | 1    | Shaft, inc. pos. 5 + 6 .....          | 9612-1330-02 | 9612-1330-02 |              |              |              |              | 10   | 1    | Spring .....                        |
| 5    | 1    | Connex pin .....                      | 9611-99-0622 | 9611-99-0622 | 9611-99-0622 | 9611-99-0622 | 9611-99-0622 | 9611-99-0622 | 11   | 1    | Rotating seal ring, carbon .....    |
| 6    | 1    | Retaining ring .....                  | 9611-99-2307 | 9611-99-2307 |              |              |              |              | 12   | 1    | O-ring, EPDM .....                  |
| 7    | 1    | Drive ring .....                      | 9612-1397-01 | 9612-1397-01 | 9612-1397-01 | 9612-1397-01 | 9612-1397-01 | 9612-1397-01 |      |      | Shaft seal compl. NBR .....         |
| 13   | 1    | Adaptor .....                         | 9612-1298-01 | 9612-1298-01 | 9612-1345-01 | 9612-1345-01 | 9612-1346-01 | 9612-1346-01 | 8    | 1    | Stationary seal ring, .....         |
| 14   | 4    | Screw for adaptor .....               | 2210942-37   | 2210942-37   | 2210948-34   | 2210948-34   | 2210948-34   | 2210948-34   |      |      | stainless steel                     |
| 15   | 4    | Washer for adaptor .....              | 41381        | 41381        | 223107-22    | 223107-22    | 223107-22    | 223107-22    | 9    | 1    | O-ring, NBR .....                   |
| 16   | 2    | Nut .....                             | 9611-99-0353 | 9611-99-0353 | 9611-99-0353 | 9611-99-0353 | 9611-99-0353 | 9611-99-0353 | 10   | 1    | Spring .....                        |
| 17   | 2    | Washer .....                          | 9611-99-0786 | 9611-99-0786 | 9611-99-0786 | 9611-99-0786 | 9611-99-0786 | 9611-99-0786 | 11   | 1    | Rotating seal ring, carbon .....    |
| 18   | 1    | Safety shield .....                   | 9612-1297-02 | 9612-1297-02 | 9612-1311-09 | 9612-1311-09 | 9612-1311-10 | 9612-1311-10 | 12   | 1    | O-ring, NBR .....                   |
| 19   | 1    | Screw for safety shield .....         | 31460-1309-1 | 31460-1309-1 | 31460-1309-1 | 31460-1309-1 | 31460-1309-1 | 31460-1309-1 |      |      | Shaft seal compl. FPM .....         |
| 20   | 6    | Handle .....                          | 9611-99-2302 | 9611-99-2302 | 9611-99-2302 | 9611-99-2302 | 9611-99-2302 | 9611-99-2302 | 8    | 1    | Stationary seal ring, .....         |
| 21   | 1    | Backplate .....                       | 9612-1384-17 | 9612-1384-17 | 9612-1384-17 | 9612-1384-17 | 9612-1384-17 | 9612-1384-17 |      |      | stainless steel                     |
| 22   | 1    | Joint ring, EPDM (std.) .....         | 9611-99-2141 | 9611-99-2141 | 9611-99-2141 | 9611-99-2141 | 9611-99-2141 | 9611-99-2141 | 9    | 1    | O-ring, FPM .....                   |
|      | 1    | Joint ring, NBR .....                 | 9611-99-2143 | 9611-99-2143 | 9611-99-2143 | 9611-99-2143 | 9611-99-2143 | 9611-99-2143 | 10   | 1    | Spring .....                        |
|      | 1    | Joint ring, Viton .....               | 9611-99-2142 | 9611-99-2142 | 9611-99-2142 | 9611-99-2142 | 9611-99-2142 | 9611-99-2142 | 11   | 1    | Rotating seal ring, carbon .....    |
|      | 1    | Joint ring, Teflon .....              | 9611-99-2144 | 9611-99-2144 | 9611-99-2144 | 9611-99-2144 | 9611-99-2144 | 9611-99-2144 | 12   | 1    | O-ring, FPM .....                   |
| 24   | 6    | Bolt .....                            | 9611-99-2168 | 9611-99-2168 | 9611-99-2168 | 9611-99-2168 | 9611-99-2168 | 9611-99-2168 |      |      | Shaft seal compl. PTFE .....        |
| 25   | 1    | Pump casing, GC .....                 | 9612-1289-01 | 9612-1289-01 | 9612-1289-01 | 9612-1289-01 | 9612-1289-01 | 9612-1289-01 | 8    | 1    | Stationary seal ring, .....         |
|      | 1    | Pump casing, bev. seat .....          | 9612-1289-02 | 9612-1289-02 | 9612-1289-02 | 9612-1289-02 | 9612-1289-02 | 9612-1289-02 |      |      | stainless steel                     |
|      | 1    | Pump casing, H-line .....             | 9612-1289-03 | 9612-1289-03 | 9612-1289-03 | 9612-1289-03 | 9612-1289-03 | 9612-1289-03 | 9    | 1    | O-ring, PTFE .....                  |
|      | 1    | Pump casing, HDI .....                | 9612-1289-05 | 9612-1289-05 | 9612-1289-05 | 9612-1289-05 | 9612-1289-05 | 9612-1289-05 | 10   | 1    | Spring .....                        |
| 32   | 1    | Impeller screw .....                  | 9612-1396-03 | 9612-1396-03 | 9612-1396-03 | 9612-1396-03 | 9612-1396-03 | 9612-1396-03 | 11   | 1    | Rotating seal ring, carbon .....    |
| 33   | 1    | Impeller .....                        | 9612-1314-06 | 9612-1314-06 | 9612-1314-06 | 9612-1314-06 | 9612-1314-06 | 9612-1314-06 | 12   | 1    | O-ring, PTFE .....                  |
| 34   | 1    | O-ring EPDM .....                     | 9611-99-2145 | 9611-99-2145 | 9611-99-2145 | 9611-99-2145 | 9611-99-2145 | 9611-99-2145 |      |      | <b>Alternatives</b>                 |
|      | 1    | O-ring NBR .....                      | 9611-99-2147 | 9611-99-2147 | 9611-99-2147 | 9611-99-2147 | 9611-99-2147 | 9611-99-2147 |      |      | Shaft seal compl. EPDM .....        |
|      | 1    | O-ring FPM .....                      | 9611-99-2146 | 9611-99-2146 | 9611-99-2146 | 9611-99-2146 | 9611-99-2146 | 9611-99-2146 | 8    | 1    | Stationary seal ring, sic .....     |
|      | 1    | O-ring PTFE .....                     | 9611-99-2148 | 9611-99-2148 | 9611-99-2148 | 9611-99-2148 | 9611-99-2148 | 9611-99-2148 |      |      | O-ring, EPDM .....                  |
| 35   | 1    | Seal housing .....                    | 9612-1339-01 | 9612-1339-01 | 9612-1339-01 | 9612-1339-01 | 9612-1339-01 | 9612-1339-01 | 9    | 1    | Spring .....                        |
| 36   | 2    | Screw for seal housing .....          | 9611-99-0203 | 9611-99-0203 | 9611-99-0203 | 9611-99-0203 | 9611-99-0203 | 9611-99-0203 | 10   | 1    | Rotating seal ring sic. ....        |
| 37   | 2    | Pipe .....                            | 31457-0056-1 | 31457-0056-1 | 31457-0056-1 | 31457-0056-1 | 31457-0056-1 | 31457-0056-1 | 11   | 1    | O-ring, EPDM .....                  |
| 38   | 1    | Lip seal .....                        | 31446-0088-2 | 31446-0088-2 | 31446-0088-2 | 31446-0088-2 | 31446-0088-2 | 31446-0088-2 | 12   | 1    | Spring .....                        |
| 39   | 1    | O-ring for seal housing, EPDM .....   | 9611-99-2153 | 9611-99-2153 | 9611-99-2153 | 9611-99-2153 | 9611-99-2153 | 9611-99-2153 |      |      | Rotating seal ring sic. ....        |
| 40   | 1    | O-ring for drive ring, EPDM .....     | 9611-99-2145 | 9611-99-2145 | 9611-99-2145 | 9611-99-2145 | 9611-99-2145 | 9611-99-2145 |      |      | O-ring, EPDM .....                  |
|      |      |                                       |              |              |              |              |              |              |      |      | Shaft seal compl. NBR .....         |
|      |      |                                       |              |              |              |              |              |              |      |      | Stationary seal ring, sic .....     |
|      |      |                                       |              |              |              |              |              |              |      |      | O-ring, NBR .....                   |
|      |      |                                       |              |              |              |              |              |              |      |      | Spring .....                        |
|      |      |                                       |              |              |              |              |              |              |      |      | Rotating seal ring sic. ....        |
|      |      |                                       |              |              |              |              |              |              |      |      | O-ring, NBR .....                   |
|      |      |                                       |              |              |              |              |              |              |      |      | Shaft seal compl. FPM .....         |
|      |      |                                       |              |              |              |              |              |              |      |      | Stationary seal ring, sic .....     |
|      |      |                                       |              |              |              |              |              |              |      |      | O-ring, FPM .....                   |
|      |      |                                       |              |              |              |              |              |              |      |      | Spring .....                        |
|      |      |                                       |              |              |              |              |              |              |      |      | Rotating seal ring sic. ....        |
|      |      |                                       |              |              |              |              |              |              |      |      | O-ring, FPM .....                   |
|      |      |                                       |              |              |              |              |              |              |      |      | Shaft seal compl. PTFE .....        |
|      |      |                                       |              |              |              |              |              |              |      |      | Stationary seal ring, sic .....     |
|      |      |                                       |              |              |              |              |              |              |      |      | O-ring, PTFE .....                  |
|      |      |                                       |              |              |              |              |              |              |      |      | Spring .....                        |
|      |      |                                       |              |              |              |              |              |              |      |      | Rotating seal ring sic. ....        |
|      |      |                                       |              |              |              |              |              |              |      |      | O-ring, PTFE .....                  |

**Alternatives**

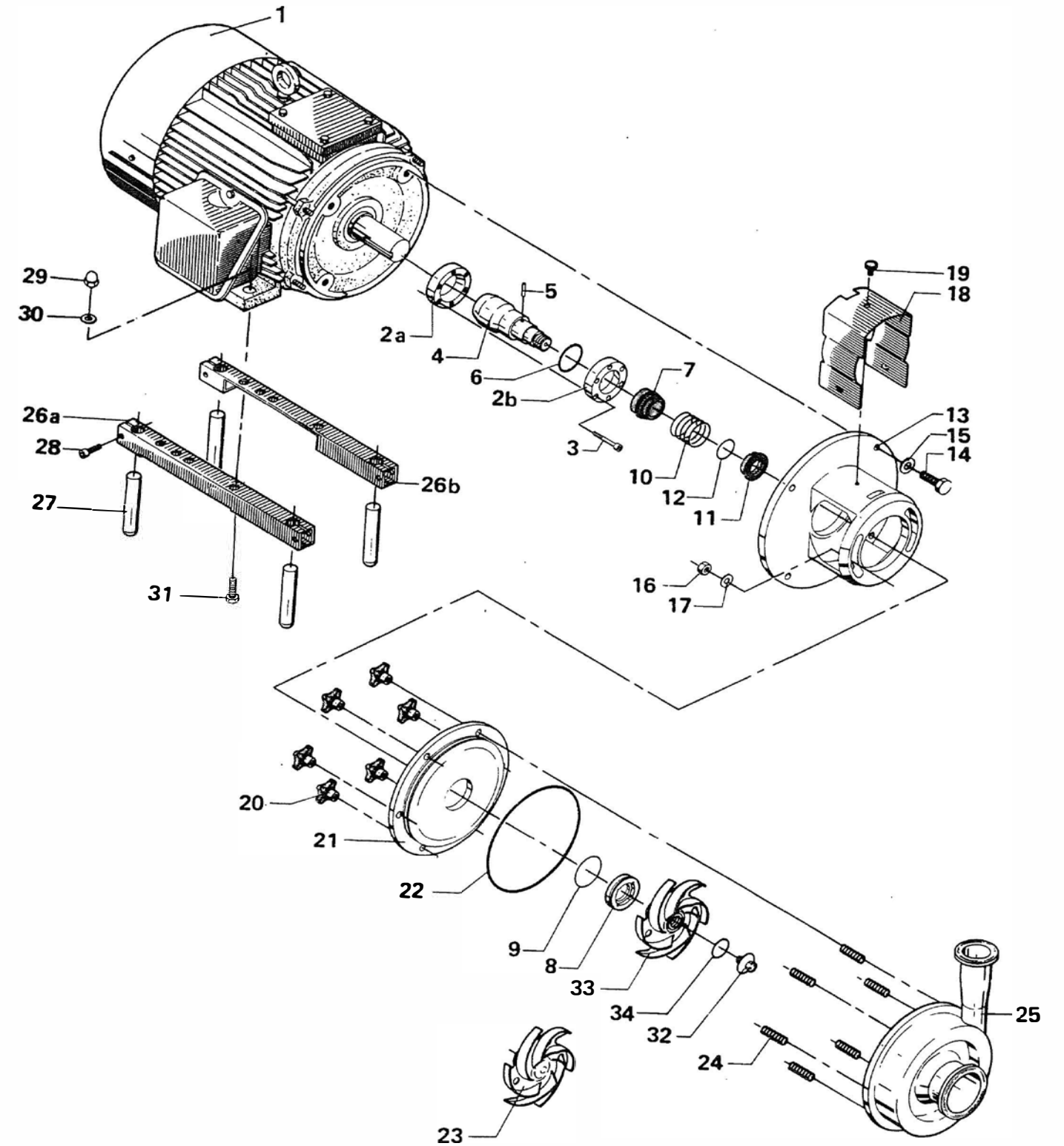
**Legs**

**Accessories**

\* Not shown

Conversion kit single to double shaft seal: 9611-92-2042

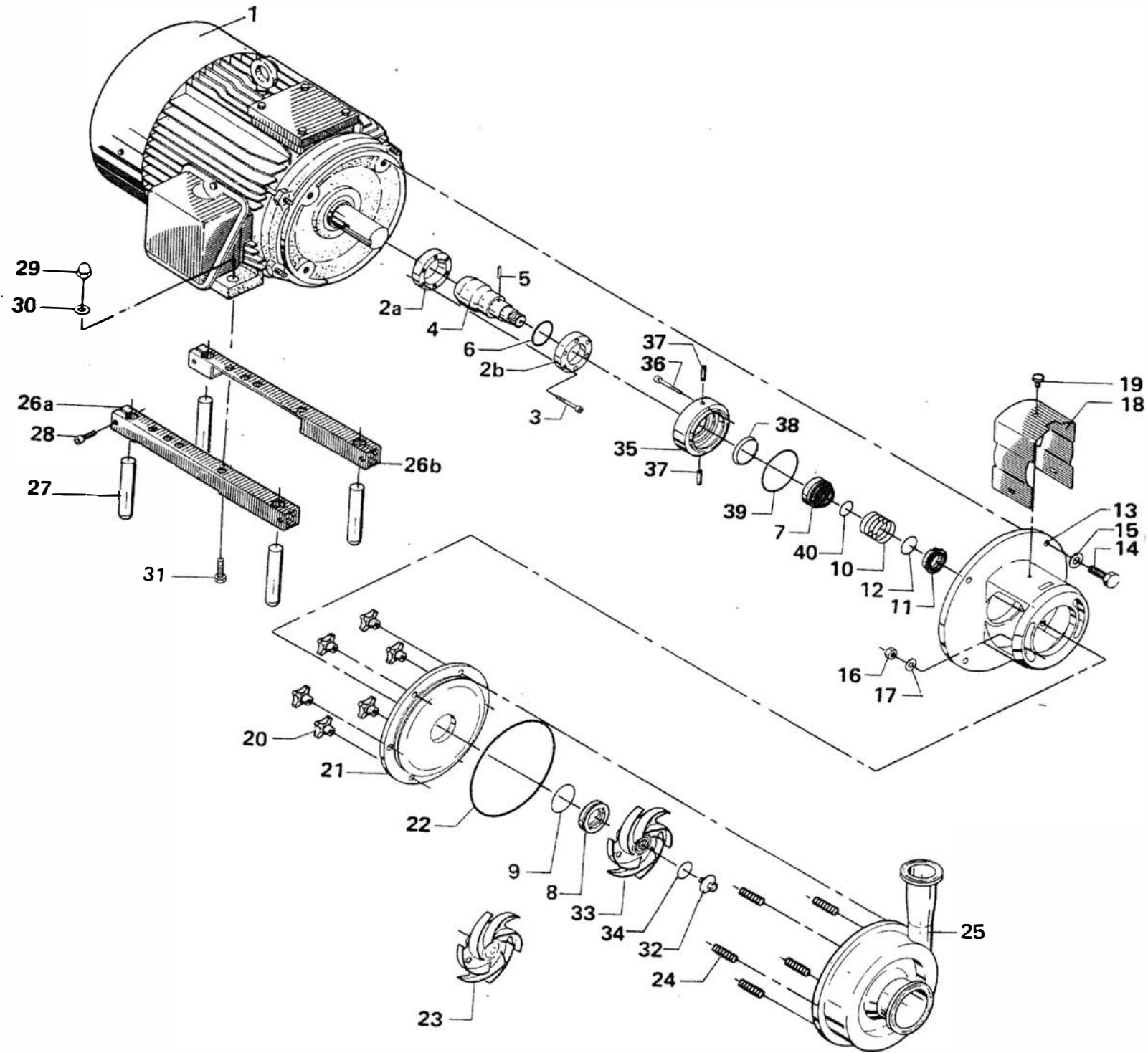
Reg. 2.1 SP70737/6 GH 9011





| Pos.                | Qty. | Denomination                          | 1½ Hp        | 2 Hp         | 3 Hp         | 5 Hp         | 7½Hp         | 10 Hp        | Pos. | Qty. | Denomination                        |
|---------------------|------|---------------------------------------|--------------|--------------|--------------|--------------|--------------|--------------|------|------|-------------------------------------|
| 1                   | 1    | Motor .....                           | 143 TC       | 145 TC       | 182 TC       | 184 TC       | 213 TC       | 215 TC       |      |      |                                     |
| 2a                  | 1    | Compression ring with thread .....    | 9612-1336-01 | 9612-1336-01 | 9612-1336-02 | 9612-1336-02 | 9612-1336-06 | 9612-1336-06 | 8    | 1    | Shaft seal compl. EPDM (std.) ..... |
| 2b                  | 1    | Compression ring without thread ..... | 9612-1337-01 | 9612-1337-01 | 9612-1337-02 | 9612-1337-02 | 9612-1337-06 | 9612-1337-06 |      |      | Stationary seal ring, .....         |
| 3                   | 6    | Screw .....                           | 9611-99-2032 | 9611-99-2032 | 9611-99-2032 | 9611-99-2032 | 9611-99-2338 | 9611-99-2338 |      |      | stainless steel                     |
| 4                   | 1    | Shaft, inc. pos. 5 .....              |              |              | 9612-1331-02 | 9612-1331-02 | 9612-1332-02 | 9612-1332-02 | 9    | 1    | O-ring, EPDM .....                  |
|                     | 1    | Shaft, inc. pos. 5 + 6 .....          | 9612-1330-02 | 9612-1330-02 |              |              |              |              | 10   | 1    | Spring .....                        |
| 5                   | 1    | Connex pin .....                      | 9611-99-0622 | 9611-99-0622 | 9611-99-0622 | 9611-99-0622 | 9611-99-0622 | 9611-99-0622 | 11   | 1    | Rotating seal ring, carbon .....    |
| 6                   | 1    | Retaining ring .....                  | 9611-99-2307 | 9611-99-2307 |              |              |              |              | 12   | 1    | O-ring, EPDM .....                  |
| 7                   | 1    | Drive ring .....                      | 9612-1377-01 | 9612-1377-01 | 9612-1377-01 | 9612-1377-01 | 9612-1377-01 | 9612-1377-01 |      |      | Shaft seal compl. NBR .....         |
| 13                  | 1    | Adaptor .....                         | 9612-1298-01 | 9612-1298-01 | 9612-1345-01 | 9612-1345-01 | 9612-1346-01 | 9612-1346-01 | 8    | 1    | Stationary seal ring, .....         |
| 14                  | 4    | Screw for adaptor .....               | 2210942-37   | 2210942-37   | 2210948-34   | 2210948-34   | 2210948-34   | 2210948-34   |      |      | stainless steel                     |
| 15                  | 4    | Washer for adaptor .....              | 41381        | 41381        | 223107-22    | 223107-22    | 223107-22    | 223107-22    | 9    | 1    | O-ring, NBR .....                   |
| 16                  | 2    | Nut .....                             | 9611-99-0353 | 9611-99-0353 | 9611-99-0353 | 9611-99-0353 | 9611-99-0353 | 9611-99-0353 | 10   | 1    | Spring .....                        |
| 17                  | 2    | Washer .....                          | 9611-99-0786 | 9611-99-0786 | 9611-99-0786 | 9611-99-0786 | 9611-99-0786 | 9611-99-0786 | 11   | 1    | Rotating seal ring, carbon .....    |
| 18                  | 1    | Safety shield .....                   | 9612-1297-03 | 9612-1297-03 | 9612-1311-06 | 9612-1311-06 | 9612-1311-07 | 9612-1311-07 | 12   | 1    | O-ring, NBR .....                   |
| 19                  | 1    | Screw for safety shield .....         | 31460-1309-1 | 31460-1309-1 | 31460-1309-1 | 31460-1309-1 | 31460-1309-1 | 31460-1309-1 |      |      | Shaft seal compl. FPM .....         |
| 20                  | 6    | Handle .....                          | 9611-99-2302 | 9611-99-2302 | 9611-99-2302 | 9611-99-2302 | 9611-99-2302 | 9611-99-2302 | 8    | 1    | Stationary seal ring, .....         |
| 21                  | 1    | Backplate .....                       | 9612-1384-05 | 9612-1384-05 | 9612-1384-05 | 9612-1384-05 | 9612-1384-05 | 9612-1384-05 |      |      | stainless steel                     |
| 22                  | 1    | Joint ring, EPDM (std.) .....         | 9611-99-2141 | 9611-99-2141 | 9611-99-2141 | 9611-99-2141 | 9611-99-2141 | 9611-99-2141 | 9    | 1    | O-ring, FPM .....                   |
|                     | 1    | Joint ring, NBR .....                 | 9611-99-2143 | 9611-99-2143 | 9611-99-2143 | 9611-99-2143 | 9611-99-2143 | 9611-99-2143 | 10   | 1    | Spring .....                        |
|                     | 1    | Joint ring, FPM .....                 | 9611-99-2142 | 9611-99-2142 | 9611-99-2142 | 9611-99-2142 | 9611-99-2142 | 9611-99-2142 | 11   | 1    | Rotating seal ring, carbon .....    |
|                     | 1    | Joint ring, PTFE .....                | 9611-99-2144 | 9611-99-2144 | 9611-99-2144 | 9611-99-2144 | 9611-99-2144 | 9611-99-2144 | 12   | 1    | O-ring, FPM .....                   |
| 24                  | 6    | Bolt .....                            | 9611-99-2168 | 9611-99-2168 | 9611-99-2168 | 9611-99-2168 | 9611-99-2168 | 9611-99-2168 |      |      | Shaft seal compl. PTFE .....        |
| 25                  | 1    | Pump casing, GC .....                 | 9612-1289-06 | 9612-1289-06 | 9612-1289-06 | 9612-1289-06 | 9612-1289-06 | 9612-1289-06 | 8    | 1    | Stationary seal ring, .....         |
|                     | 1    | Pump casing, bev. seat .....          | 9612-1289-07 | 9612-1289-07 | 9612-1289-07 | 9612-1289-07 | 9612-1289-07 | 9612-1289-07 |      |      | stainless steel                     |
|                     | 1    | Pump casing, H-line .....             | 9612-1289-08 | 9612-1289-08 | 9612-1289-08 | 9612-1289-08 | 9612-1289-08 | 9612-1289-08 | 9    | 1    | O-ring, PTFE .....                  |
|                     | 1    | Pump casing, HDI .....                | 9612-1289-10 | 9612-1289-10 | 9612-1289-10 | 9612-1289-10 | 9612-1289-10 | 9612-1289-10 | 10   | 1    | Spring .....                        |
|                     | 1    | Pump casing, NPT .....                | 9612-1289-11 | 9612-1289-11 | 9612-1289-11 | 9612-1289-11 | 9612-1289-11 | 9612-1289-11 | 11   | 1    | Rotating seal ring, carbon .....    |
| 32                  | 1    | Impeller screw .....                  | 9612-1396-01 | 9612-1396-01 | 9612-1396-01 | 9612-1396-01 | 9612-1396-01 | 9612-1396-01 | 12   | 1    | O-ring, PTFE .....                  |
| 33                  | 1    | Impeller .....                        | 9612-1314-02 | 9612-1314-02 | 9612-1314-02 | 9612-1314-02 | 9612-1314-02 | 9612-1314-02 |      |      | Alternatives                        |
| 34                  | 1    | O-ring EPDM .....                     | 9611-99-2145 | 9611-99-2145 | 9611-99-2145 | 9611-99-2145 | 9611-99-2145 | 9611-99-2145 |      |      | Shaft seal compl. EPDM .....        |
|                     | 1    | O-ring NBR .....                      | 9611-99-2147 | 9611-99-2147 | 9611-99-2147 | 9611-99-2147 | 9611-99-2147 | 9611-99-2147 | 8    | 1    | Stationary seal ring, sic. ....     |
|                     | 1    | O-ring FPM .....                      | 9611-99-2146 | 9611-99-2146 | 9611-99-2146 | 9611-99-2146 | 9611-99-2146 | 9611-99-2146 | 9    | 1    | O-ring, EPDM .....                  |
|                     | 1    | O-ring PTFE .....                     | 9611-99-2148 | 9611-99-2148 | 9611-99-2148 | 9611-99-2148 | 9611-99-2148 | 9611-99-2148 | 10   | 1    | Spring .....                        |
|                     |      |                                       |              |              |              |              |              |              | 11   | 1    | Rotating seal ring sic. ....        |
|                     |      |                                       |              |              |              |              |              |              | 12   | 1    | O-ring, EPDM .....                  |
| <b>Alternatives</b> |      |                                       |              |              |              |              |              |              |      |      | Shaft seal compl. NBR .....         |
| 23                  | 1    | Impeller .....                        | 9612-1314-01 | 9612-1314-01 | 9612-1314-01 | 9612-1314-01 | 9612-1314-01 | 9612-1314-01 | 8    | 1    | Stationary seal ring, sic. ....     |
| <b>Legs</b>         |      |                                       |              |              |              |              |              |              | 9    | 1    | O-ring, NBR .....                   |
| 26a                 | 1    | Support bar, right .....              | 31460-1287-6 | 31460-1287-6 | 31460-1287-5 | 31460-1287-5 | 31460-1287-2 | 31460-1287-2 | 10   | 1    | Spring .....                        |
| 26b                 | 1    | Support bar, left .....               | 31460-1288-6 | 31460-1288-6 | 31460-1288-5 | 31460-1288-5 | 31460-1288-2 | 31460-1288-2 | 11   | 1    | Rotating seal ring sic. ....        |
| 27                  | 4    | Leg .....                             | 31460-1018-1 | 31460-1018-1 | 31460-1018-1 | 31460-1018-1 | 31460-1018-1 | 31460-1018-1 | 12   | 1    | O-ring, EPDM .....                  |
| 28                  | 4    | Screw .....                           | 9611-99-1907 | 9611-99-1907 | 9611-99-1907 | 9611-99-1907 | 9611-99-1907 | 9611-99-1907 |      |      | Shaft seal compl. FPM .....         |
| 29                  | 4    | Acorn cap nut .....                   | 221851-14    | 221851-14    | 221851-11    | 221851-11    | 221851-11    | 221851-11    | 8    | 1    | Stationary seal ring, sic. ....     |
| 30                  | 4    | Spring washer .....                   | 41381        | 41381        | 223107-21    | 223107-21    | 223107-21    | 223107-21    | 9    | 1    | O-ring, NBR .....                   |
| 31                  | 4    | Screw .....                           | 9611-99-1910 | 9611-99-1910 | 9611-99-1911 | 9611-99-1911 | 9611-99-1911 | 9611-99-1911 | 10   | 1    | Spring .....                        |
| <b>Accessories</b>  |      |                                       |              |              |              |              |              |              | 11   | 1    | Rotating seal ring sic. ....        |
| *                   | 1    | Tool compl. ....                      | 9612-1371-01 |              |              |              |              |              | 12   | 1    | O-ring, NBR .....                   |
|                     |      |                                       |              |              |              |              |              |              |      |      | Shaft seal compl. PTFE .....        |
|                     |      |                                       |              |              |              |              |              |              | 8    | 1    | Stationary seal ring, sic. ....     |
|                     |      |                                       |              |              |              |              |              |              | 9    | 1    | O-ring, PTFE .....                  |
|                     |      |                                       |              |              |              |              |              |              | 10   | 1    | Spring .....                        |
|                     |      |                                       |              |              |              |              |              |              | 11   | 1    | Rotating seal ring sic. ....        |
|                     |      |                                       |              |              |              |              |              |              | 12   | 1    | O-ring, PTFE .....                  |

\* Not shown



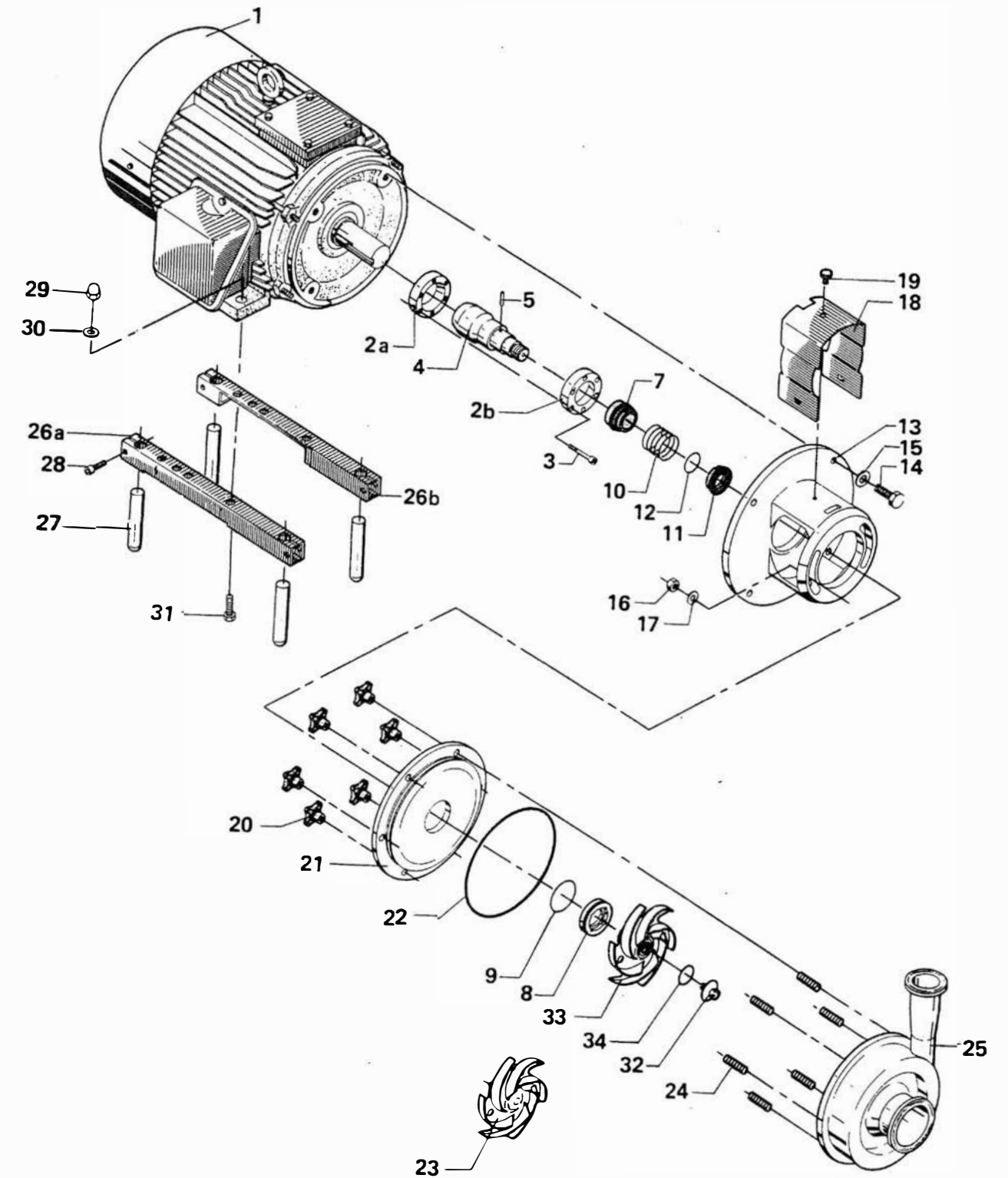
| Pos.                | Qty. | Denomination                    | 1 1/2 Hp     | 2 Hp         | 3 Hp         | 5 Hp         | 7 1/2 Hp     | 10 Hp        |
|---------------------|------|---------------------------------|--------------|--------------|--------------|--------------|--------------|--------------|
| 1                   | 1    | Motor                           | 143 TC       | 145 TC       | 182 TC       | 184 TC       | 213 TC       | 215 TC       |
| 2a                  | 1    | Compression ring with thread    | 9612-1336-01 | 9612-1336-01 | 9612-1336-02 | 9612-1336-02 | 9612-1336-06 | 9612-1336-06 |
| 2b                  | 1    | Compression ring without thread | 9612-1337-01 | 9612-1337-01 | 9612-1337-02 | 9612-1337-02 | 9612-1337-06 | 9612-1337-06 |
| 3                   | 6    | Screw                           | 9611-99-2032 | 9611-99-2032 | 9611-99-2032 | 9611-99-2032 | 9611-99-2338 | 9611-99-2338 |
| 4                   | 1    | Shaft, inc. pos. 5              |              |              | 9612-1331-02 | 9612-1331-02 | 9612-1332-02 | 9612-1332-02 |
|                     | 1    | Shaft, inc. pos. 5 + 6          | 9612-1330-02 | 9612-1330-02 |              |              |              |              |
| 5                   | 1    | Connex pin                      | 9611-99-0622 | 9611-99-0622 | 9611-99-0622 | 9611-99-0622 | 9611-99-0622 | 9611-99-0622 |
| 6                   | 1    | Retaining ring                  | 9611-99-2307 | 9611-99-2307 |              |              |              |              |
| 7                   | 1    | Drive ring                      | 9612-1397-01 | 9612-1397-01 | 9612-1397-01 | 9612-1397-01 | 9612-1397-01 | 9612-1397-01 |
| 13                  | 1    | Adaptor                         | 9612-1298-01 | 9612-1298-01 | 9612-1345-01 | 9612-1345-01 | 9612-1346-01 | 9612-1346-01 |
| 14                  | 4    | Screw for adaptor               | 2210942-37   | 2210942-37   | 2210948-34   | 2210948-34   | 2210948-34   | 2210948-34   |
| 15                  | 4    | Washer for adaptor              | 41381        | 41381        | 223107-22    | 223107-22    | 223107-22    | 223107-22    |
| 16                  | 2    | Nut                             | 9611-99-0353 | 9611-99-0353 | 9611-99-0353 | 9611-99-0353 | 9611-99-0353 | 9611-99-0353 |
| 17                  | 2    | Washer                          | 9611-99-0786 | 9611-99-0786 | 9611-99-0786 | 9611-99-0786 | 9611-99-0786 | 9611-99-0786 |
| 18                  | 1    | Safety shield                   | 9612-1297-03 | 9612-1297-03 | 9612-1311-06 | 9612-1311-06 | 9612-1311-07 | 9612-1311-07 |
| 19                  | 1    | Screw for safety shield         | 31460-1309-1 | 31460-1309-1 | 31460-1309-1 | 31460-1309-1 | 31460-1309-1 | 31460-1309-1 |
| 20                  | 6    | Handle                          | 9611-99-2302 | 9611-99-2302 | 9611-99-2302 | 9611-99-2302 | 9611-99-2302 | 9611-99-2302 |
| 21                  | 1    | Backplate                       | 9612-1384-05 | 9612-1384-05 | 9612-1384-05 | 9612-1384-05 | 9612-1384-05 | 9612-1384-05 |
| 22                  | 1    | Joint ring, EPDM (std.)         | 9611-99-2141 | 9611-99-2141 | 9611-99-2141 | 9611-99-2141 | 9611-99-2141 | 9611-99-2141 |
|                     | 1    | Joint ring, NBR                 | 9611-99-2143 | 9611-99-2143 | 9611-99-2143 | 9611-99-2143 | 9611-99-2143 | 9611-99-2143 |
|                     | 1    | Joint ring, Viton               | 9611-99-2142 | 9611-99-2142 | 9611-99-2142 | 9611-99-2142 | 9611-99-2142 | 9611-99-2142 |
|                     | 1    | Joint ring, Teflon              | 9611-99-2144 | 9611-99-2144 | 9611-99-2144 | 9611-99-2144 | 9611-99-2144 | 9611-99-2144 |
| 24                  | 6    | Bolt                            | 9611-99-2168 | 9611-99-2168 | 9611-99-2168 | 9611-99-2168 | 9611-99-2168 | 9611-99-2168 |
| 25                  | 1    | Pump casing, GC                 | 9612-1289-06 | 9612-1289-06 | 9612-1289-06 | 9612-1289-06 | 9612-1289-06 | 9612-1289-06 |
|                     | 1    | Pump casing, bev. seat          | 9612-1289-07 | 9612-1289-07 | 9612-1289-07 | 9612-1289-07 | 9612-1289-07 | 9612-1289-07 |
|                     | 1    | Pump casing, H-line             | 9612-1289-08 | 9612-1289-08 | 9612-1289-08 | 9612-1289-08 | 9612-1289-08 | 9612-1289-08 |
|                     | 1    | Pump casing, HDI                | 9612-1289-10 | 9612-1289-10 | 9612-1289-10 | 9612-1289-10 | 9612-1289-10 | 9612-1289-10 |
|                     | 1    | Pump casing, NPT                | 9612-1289-11 | 9612-1289-11 | 9612-1289-11 | 9612-1289-11 | 9612-1289-11 | 9612-1289-11 |
| 32                  | 1    | Impeller screw                  | 9612-1396-01 | 9612-1396-01 | 9612-1396-01 | 9612-1396-01 | 9612-1396-01 | 9612-1396-01 |
| 33                  | 1    | Impeller                        | 9612-1314-02 | 9612-1314-02 | 9612-1314-02 | 9612-1314-02 | 9612-1314-02 | 9612-1314-02 |
| 34                  | 1    | O-ring EPDM                     | 9611-99-2145 | 9611-99-2145 | 9611-99-2145 | 9611-99-2145 | 9611-99-2145 | 9611-99-2145 |
|                     | 1    | O-ring NBR                      | 9611-99-2147 | 9611-99-2147 | 9611-99-2147 | 9611-99-2147 | 9611-99-2147 | 9611-99-2147 |
|                     | 1    | O-ring FPM                      | 9611-99-2146 | 9611-99-2146 | 9611-99-2146 | 9611-99-2146 | 9611-99-2146 | 9611-99-2146 |
|                     | 1    | O-ring PTFE                     | 9611-99-2148 | 9611-99-2148 | 9611-99-2148 | 9611-99-2148 | 9611-99-2148 | 9611-99-2148 |
| 35                  | 1    | Seal housing                    | 9612-1339-01 | 9612-1339-01 | 9612-1339-01 | 9612-1339-01 | 9612-1339-01 | 9612-1339-01 |
| 36                  | 2    | Screw for seal housing          | 9611-99-0203 | 9611-99-0203 | 9611-99-0203 | 9611-99-0203 | 9611-99-0203 | 9611-99-0203 |
| 37                  | 2    | Pipe                            | 31457-0056-1 | 31457-0056-1 | 31457-0056-1 | 31457-0056-1 | 31457-0056-1 | 31457-0056-1 |
| 38                  | 1    | Lip seal                        | 31446-0088-2 | 31446-0088-2 | 31446-0088-2 | 31446-0088-2 | 31446-0088-2 | 31446-0088-2 |
| 39                  | 1    | O-ring for seal housing, EPDM   | 9611-99-2153 | 9611-99-2153 | 9611-99-2153 | 9611-99-2153 | 9611-99-2153 | 9611-99-2153 |
| 40                  | 1    | O-ring for drive ring, EPDM     | 9611-99-2145 | 9611-99-2145 | 9611-99-2145 | 9611-99-2145 | 9611-99-2145 | 9611-99-2145 |
| <b>Alternatives</b> |      |                                 |              |              |              |              |              |              |
| 23                  | 1    | Impeller                        | 9612-1314-01 | 9612-1314-01 | 9612-1314-01 | 9612-1314-01 | 9612-1314-01 | 9612-1314-01 |
| <b>Legs</b>         |      |                                 |              |              |              |              |              |              |
| 26a                 | 1    | Support bar, right              | 31460-1287-6 | 31460-1287-6 | 31460-1287-5 | 31460-1287-5 | 31460-1287-2 | 31460-1287-2 |
| 26b                 | 1    | Support bar, left               | 31460-1288-6 | 31460-1288-6 | 31460-1288-5 | 31460-1288-5 | 31460-1288-2 | 31460-1288-2 |
| 27                  | 4    | Leg                             | 31460-1018-1 | 31460-1018-1 | 31460-1018-1 | 31460-1018-1 | 31460-1018-1 | 31460-1018-1 |
| 28                  | 4    | Screw                           | 9611-99-1907 | 9611-99-1907 | 9611-99-1907 | 9611-99-1907 | 9611-99-1907 | 9611-99-1907 |
| 29                  | 4    | Acorn cap nut                   | 221851-14    | 221851-14    | 221851-11    | 221851-11    | 221851-11    | 221851-11    |
| 30                  | 4    | Spring washer                   | 41381        | 41381        | 223107-21    | 223107-21    | 223107-21    | 223107-21    |
| 31                  | 4    | Screw                           | 9611-99-1910 | 9611-99-1910 | 9611-99-1911 | 9611-99-1911 | 9611-99-1911 | 9611-99-1911 |
| <b>Accessories</b>  |      |                                 |              |              |              |              |              |              |
|                     | 1    | Tool compl.                     | 9612-1371-01 |              |              |              |              |              |

| Pos.                | Qty. | Denomination                          |              |
|---------------------|------|---------------------------------------|--------------|
|                     |      | Shaft seal compl. EPDM (std.)         | 9612-1296-01 |
| 8                   | 1    | Stationary seal ring, stainless steel | 9612-1378-01 |
| 9                   | 1    | O-ring, EPDM                          | 9611-99-2149 |
| 10                  | 1    | Spring                                | 9612-1376-01 |
| 11                  | 1    | Rotating seal ring, carbon            | 9612-1364-01 |
| 12                  | 1    | O-ring, EPDM                          | 9611-99-2145 |
|                     |      | Shaft seal compl. NBR                 | 9612-1296-02 |
| 8                   | 1    | Stationary seal ring, stainless steel | 9612-1378-01 |
| 9                   | 1    | O-ring, NBR                           | 9611-99-2151 |
| 10                  | 1    | Spring                                | 9612-1376-01 |
| 11                  | 1    | Rotating seal ring, carbon            | 9612-1364-01 |
| 12                  | 1    | O-ring, NBR                           | 9611-99-2147 |
|                     |      | Shaft seal compl. FPM                 | 9612-1296-03 |
| 8                   | 1    | Stationary seal ring, stainless steel | 9612-1378-01 |
| 9                   | 1    | O-ring, FPM                           | 9611-99-2150 |
| 10                  | 1    | Spring                                | 9612-1376-01 |
| 11                  | 1    | Rotating seal ring, carbon            | 9612-1364-01 |
| 12                  | 1    | O-ring, FPM                           | 9611-99-2146 |
|                     |      | Shaft seal compl. PTFE                | 9612-1296-04 |
| 8                   | 1    | Stationary seal ring, stainless steel | 9612-1378-01 |
| 9                   | 1    | O-ring, PTFE                          | 9611-99-2152 |
| 10                  | 1    | Spring                                | 9612-1376-01 |
| 11                  | 1    | Rotating seal ring, carbon            | 9612-1364-01 |
| 12                  | 1    | O-ring, PTFE                          | 9611-99-2148 |
| <b>Alternatives</b> |      |                                       |              |
|                     |      | Shaft seal compl. EPDM                | 9612-1296-05 |
| 8                   | 1    | Stationary seal ring, sic.            | 9612-1379-01 |
| 9                   | 1    | O-ring, EPDM                          | 9611-99-2149 |
| 10                  | 1    | Spring                                | 9612-1376-01 |
| 11                  | 1    | Rotating seal ring sic.               | 9612-1364-02 |
| 12                  | 1    | O-ring, EPDM                          | 9611-99-2145 |
|                     |      | Shaft seal compl. NBR                 | 9612-1296-06 |
| 8                   | 1    | Stationary seal ring, sic.            | 9612-1379-01 |
| 9                   | 1    | O-ring, NBR                           | 9611-99-2151 |
| 10                  | 1    | Spring                                | 9612-1376-01 |
| 11                  | 1    | Rotating seal ring sic.               | 9612-1364-02 |
| 12                  | 1    | O-ring, NBR                           | 9611-99-2147 |
|                     |      | Shaft seal compl. FPM                 | 9612-1296-07 |
| 8                   | 1    | Stationary seal ring, sic.            | 9612-1379-01 |
| 9                   | 1    | O-ring, FPM                           | 9611-99-2150 |
| 10                  | 1    | Spring                                | 9612-1376-01 |
| 11                  | 1    | Rotating seal ring sic.               | 9612-1364-02 |
| 12                  | 1    | O-ring, FPM                           | 9611-99-2146 |
|                     |      | Shaft seal compl. PTFE                | 9612-1296-08 |
| 8                   | 1    | Stationary seal ring, sic.            | 9612-1379-01 |
| 9                   | 1    | O-ring, PTFE                          | 9611-99-2152 |
| 10                  | 1    | Spring                                | 9612-1376-01 |
| 11                  | 1    | Rotating seal ring sic.               | 9612-1364-02 |
| 12                  | 1    | O-ring, PTFE                          | 9611-99-2148 |

\* Not shown

Conversion kit single to double shaft seal: 9611-92-2042

Reg. 2.1 SP70737/8 GH 9011

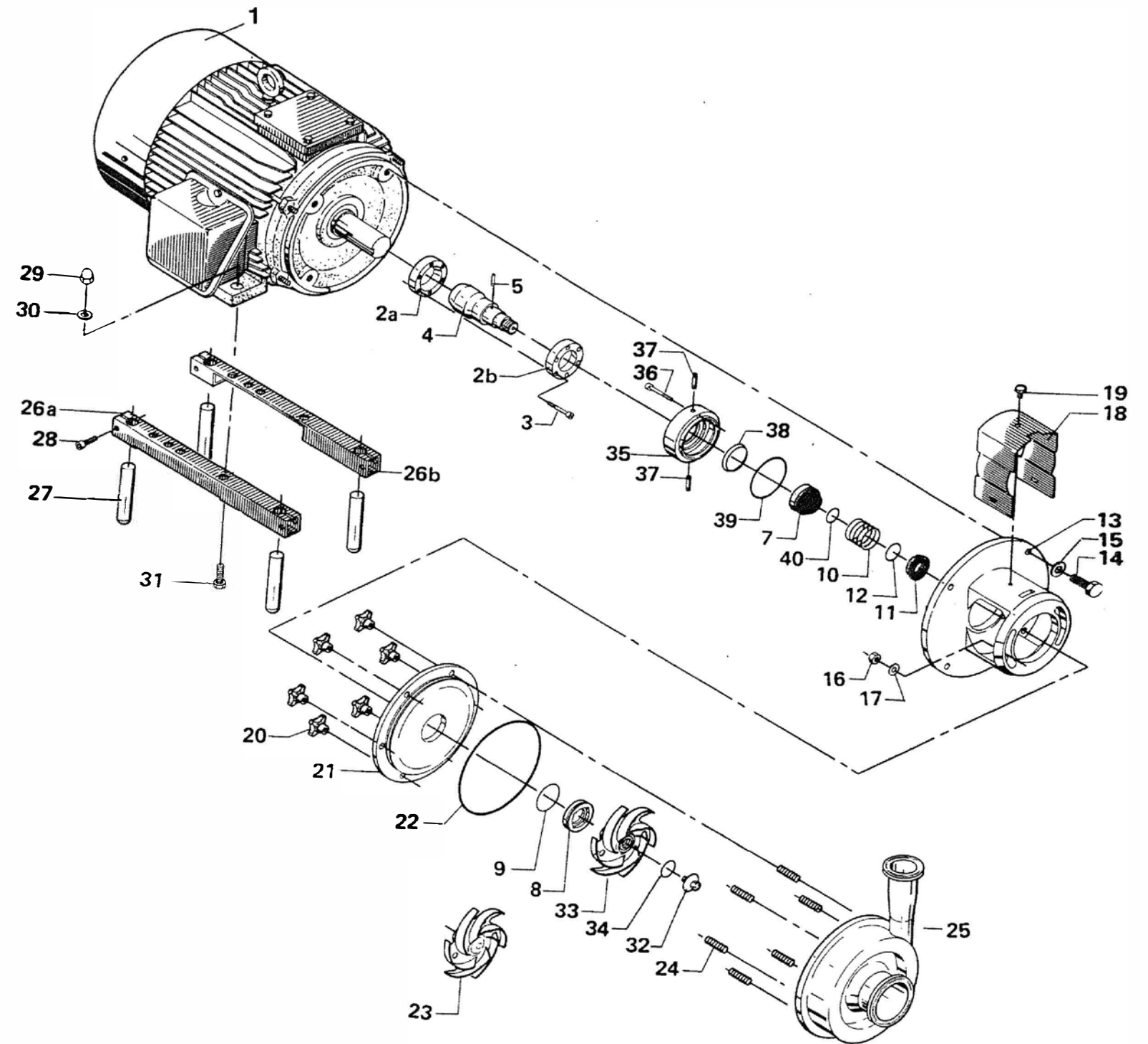


| Pos.                | Qty. | Denomination                    | 7½Hp         | 10 Hp        | 15 Hp        | 20 Hp        | 25 Hp        | 30 Hp        |
|---------------------|------|---------------------------------|--------------|--------------|--------------|--------------|--------------|--------------|
| 1                   | 1    | Motor                           | 213 TC       | 215 TC       | 254 TC       | 256 TC       | 284 TS       | 286 TS       |
| 2a                  | 1    | Compression ring with thread    | 9612-1336-06 | 9612-1336-06 | 9612-1336-03 | 9612-1336-03 | 9612-1336-03 | 9612-1336-03 |
| 2b                  | 1    | Compression ring without thread | 9612-1337-06 | 9612-1337-06 | 9612-1337-03 | 9612-1337-03 | 9612-1337-03 | 9612-1337-03 |
| 3                   | 6    | Screw                           | 9611-99-2338 | 9611-99-2338 | 9611-99-2338 | 9611-99-2338 | 9611-99-2338 | 9611-99-2338 |
| 4                   | 1    | Shaft, inc. pos. 5              | 9612-1332-02 | 9612-1332-02 | 9612-1333-02 | 9612-1333-02 | 9612-1333-02 | 9612-1333-02 |
| 5                   | 1    | Connex pin                      | 9611-99-0622 | 9611-99-0622 | 9611-99-0622 | 9611-99-0622 | 9611-99-0622 | 9611-99-0622 |
| 7                   | 1    | Drive ring                      | 9612-1377-01 | 9612-1377-01 | 9612-1377-01 | 9612-1377-01 | 9612-1377-01 | 9612-1377-01 |
| 13                  | 1    | Adaptor                         | 9612-1346-01 | 9612-1346-01 | 9612-1347-01 | 9612-1347-01 | 9612-1347-01 | 9612-1347-01 |
| 14                  | 4    | Screw for adaptor               | 2210948-34   | 2210948-34   | 2210948-35   | 2210948-35   | 2210948-35   | 2210948-35   |
| 15                  | 4    | Washer for adaptor              | 223107-22    | 223107-22    | 223107-22    | 223107-22    | 223107-22    | 223107-22    |
| 16                  | 2    | Nut                             | 9611-99-0353 | 9611-99-0353 | 9611-99-0353 | 9611-99-0353 | 9611-99-0353 | 9611-99-0353 |
| 17                  | 2    | Washer                          | 9611-99-0786 | 9611-99-0786 | 9611-99-0786 | 9611-99-0786 | 9611-99-0786 | 9611-99-0786 |
| 18                  | 1    | Safety shield                   | 9612-1311-10 | 9612-1311-10 | 9612-1311-11 | 9612-1311-11 | 9612-1311-11 | 9612-1311-11 |
| 19                  | 1    | Screw for safety shield         | 31460-1309-1 | 31460-1309-1 | 31460-1309-1 | 31460-1309-1 | 31460-1309-1 | 31460-1309-1 |
| 20                  | 6    | Handle                          | 9611-99-2303 | 9611-99-2303 | 9611-99-2303 | 9611-99-2303 | 9611-99-2303 | 9611-99-2303 |
| 21                  | 1    | Backplate                       | 9612-1384-18 | 9612-1384-18 | 9612-1384-18 | 9612-1384-18 | 9612-1384-18 | 9612-1384-18 |
| 22                  | 1    | Joint ring, EPDM (std.)         | 9611-99-2171 | 9611-99-2171 | 9611-99-2171 | 9611-99-2171 | 9611-99-2171 | 9611-99-2171 |
|                     | 1    | Joint ring, NBR                 | 9611-99-2173 | 9611-99-2173 | 9611-99-2173 | 9611-99-2173 | 9611-99-2173 | 9611-99-2173 |
|                     | 1    | Joint ring, FPM                 | 9611-99-2172 | 9611-99-2172 | 9611-99-2172 | 9611-99-2172 | 9611-99-2172 | 9611-99-2172 |
|                     | 1    | Joint ring, PTFE                | 9611-99-2174 | 9611-99-2174 | 9611-99-2174 | 9611-99-2174 | 9611-99-2174 | 9611-99-2174 |
| 24                  | 6    | Bolt                            | 9611-99-2169 | 9611-99-2169 | 9611-99-2169 | 9611-99-2169 | 9611-99-2169 | 9611-99-2169 |
| 25                  | 1    | Pump casing, GC                 | 9612-1290-01 | 9612-1290-01 | 9612-1290-01 | 9612-1290-01 | 9612-1290-01 | 9612-1290-01 |
|                     | 1    | Pump casing, bev. seat.         | 9612-1290-02 | 9612-1290-02 | 9612-1290-02 | 9612-1290-02 | 9612-1290-02 | 9612-1290-02 |
|                     | 1    | Pump casing, H-line             | 9612-1290-03 | 9612-1290-03 | 9612-1290-03 | 9612-1290-03 | 9612-1290-03 | 9612-1290-03 |
|                     | 1    | Pump casing, HDI                | 9612-1290-05 | 9612-1290-05 | 9612-1290-05 | 9612-1290-05 | 9612-1290-05 | 9612-1290-05 |
| 32                  | 1    | Impeller screw                  | 9612-1396-03 | 9612-1396-03 | 9612-1396-03 | 9612-1396-03 | 9612-1396-03 | 9612-1396-03 |
| 33                  | 1    | Impeller                        | 9612-1316-06 | 9612-1316-06 | 9612-1316-06 | 9612-1316-06 | 9612-1316-06 | 9612-1316-06 |
| 34                  | 1    | O-ring EPDM                     | 9611-99-2145 | 9611-99-2145 | 9611-99-2145 | 9611-99-2145 | 9611-99-2145 | 9611-99-2145 |
|                     | 1    | O-ring NBR                      | 9611-99-2147 | 9611-99-2147 | 9611-99-2147 | 9611-99-2147 | 9611-99-2147 | 9611-99-2147 |
|                     | 1    | O-ring FPM                      | 9611-99-2146 | 9611-99-2146 | 9611-99-2146 | 9611-99-2146 | 9611-99-2146 | 9611-99-2146 |
|                     | 1    | O-ring PTFE                     | 9611-99-2148 | 9611-99-2148 | 9611-99-2148 | 9611-99-2148 | 9611-99-2148 | 9611-99-2148 |
| <b>Alternatives</b> |      |                                 |              |              |              |              |              |              |
| 23                  | 1    | Impeller                        | 9612-1316-05 | 9612-1316-05 | 9612-1316-05 | 9612-1316-05 | 9612-1316-05 | 9612-1316-05 |
| <b>Legs</b>         |      |                                 |              |              |              |              |              |              |
| 26a                 | 1    | Support bar, right              | 31460-1287-2 | 31460-1287-2 | 31460-1287-3 | 31460-1287-3 | 31460-1287-4 | 31460-1287-4 |
| 26b                 | 1    | Support bar, left               | 31460-1288-2 | 31460-1288-2 | 31460-1288-3 | 31460-1288-3 | 31460-1288-4 | 31460-1288-4 |
| 27                  | 4    | Leg                             | 31460-1018-1 | 31460-1018-1 | 31460-1018-1 | 31460-1018-1 | 31460-1018-1 | 31460-1018-1 |
| 28                  | 4    | Screw                           | 9611-99-1907 | 9611-99-1907 | 9611-99-1907 | 9611-99-1907 | 9611-99-1907 | 9611-99-1907 |
| 29                  | 4    | Acorn cap nut                   | 221851-11    | 221851-11    | 221851-15    | 221851-15    | 221851-15    | 221851-15    |
| 30                  | 4    | Spring washer                   | 223107-21    | 223107-21    | 223107-22    | 223107-22    | 223107-22    | 223107-22    |
| 31                  | 4    | Screw                           | 9611-99-1911 | 9611-99-1911 | 9611-99-1834 | 9611-99-1834 | 9611-99-1834 | 9611-99-1834 |
| <b>Accessories</b>  |      |                                 |              |              |              |              |              |              |
| *                   | 1    | Tool compl.                     | 9612-1371-01 |              |              |              |              |              |

| Pos.                | Qty. | Denomination                          |              |
|---------------------|------|---------------------------------------|--------------|
|                     |      | Shaft seal compl. EPDM (std.)         | 9612-1296-01 |
| 8                   | 1    | Stationary seal ring, stainless steel | 9612-1378-01 |
| 9                   | 1    | O-ring, EPDM                          | 9611-99-2149 |
| 10                  | 1    | Spring                                | 9612-1376-01 |
| 11                  | 1    | Rotating seal ring, carbon            | 9612-1364-01 |
| 12                  | 1    | O-ring, EPDM                          | 9611-99-2145 |
|                     |      | Shaft seal compl. NBR                 | 9612-1296-02 |
| 8                   | 1    | Stationary seal ring, stainless steel | 9612-1378-01 |
| 9                   | 1    | O-ring, NBR                           | 9611-99-2151 |
| 10                  | 1    | Spring                                | 9612-1376-01 |
| 11                  | 1    | Rotating seal ring, carbon            | 9612-1364-01 |
| 12                  | 1    | O-ring, NBR                           | 9611-99-2147 |
|                     |      | Shaft seal compl. FPM                 | 9612-1296-03 |
| 8                   | 1    | Stationary seal ring, stainless steel | 9612-1378-01 |
| 9                   | 1    | O-ring, FPM                           | 9611-99-2150 |
| 10                  | 1    | Spring                                | 9612-1376-01 |
| 11                  | 1    | Rotating seal ring, carbon            | 9612-1364-01 |
| 12                  | 1    | O-ring, FPM                           | 9611-99-2146 |
|                     |      | Shaft seal compl. PTFE                | 9612-1296-04 |
| 8                   | 1    | Stationary seal ring, stainless steel | 9612-1378-01 |
| 9                   | 1    | O-ring, PTFE                          | 9611-99-2152 |
| 10                  | 1    | Spring                                | 9612-1376-01 |
| 11                  | 1    | Rotating seal ring, carbon            | 9612-1364-01 |
| 12                  | 1    | O-ring, PTFE                          | 9611-99-2148 |
| <b>Alternatives</b> |      |                                       |              |
|                     |      | Shaft seal compl. EPDM                | 9612-1296-05 |
| 8                   | 1    | Stationary seal ring, sic.            | 9612-1379-01 |
| 9                   | 1    | O-ring, EPDM                          | 9611-99-2149 |
| 10                  | 1    | Spring                                | 9612-1376-01 |
| 11                  | 1    | Rotating seal ring sic.               | 9612-1364-02 |
| 12                  | 1    | O-ring, EPDM                          | 9611-99-2145 |
|                     |      | Shaft seal compl. NBR                 | 9612-1296-06 |
| 8                   | 1    | Stationary seal ring, sic.            | 9612-1379-01 |
| 9                   | 1    | O-ring, NBR                           | 9611-99-2151 |
| 10                  | 1    | Spring                                | 9612-1376-01 |
| 11                  | 1    | Rotating seal ring sic.               | 9612-1364-02 |
| 12                  | 1    | O-ring, NBR                           | 9611-99-2147 |
|                     |      | Shaft seal compl. FPM                 | 9612-1296-07 |
| 8                   | 1    | Stationary seal ring, sic.            | 9612-1379-01 |
| 9                   | 1    | O-ring, FPM                           | 9611-99-2150 |
| 10                  | 1    | Spring                                | 9612-1376-01 |
| 11                  | 1    | Rotating seal ring sic.               | 9612-1364-02 |
| 12                  | 1    | O-ring, FPM                           | 9611-99-2146 |
|                     |      | Shaft seal compl. PTFE                | 9612-1296-08 |
| 8                   | 1    | Stationary seal ring, sic.            | 9612-1379-01 |
| 9                   | 1    | O-ring, PTFE                          | 9611-99-2152 |
| 10                  | 1    | Spring                                | 9612-1376-01 |
| 11                  | 1    | Rotating seal ring sic.               | 9612-1364-02 |
| 12                  | 1    | O-ring, PTFE                          | 9611-99-2148 |

STANDARD SEAL KIT  
9612129609  
P.E. Annon N/L  
4/3/02

\* Not shown



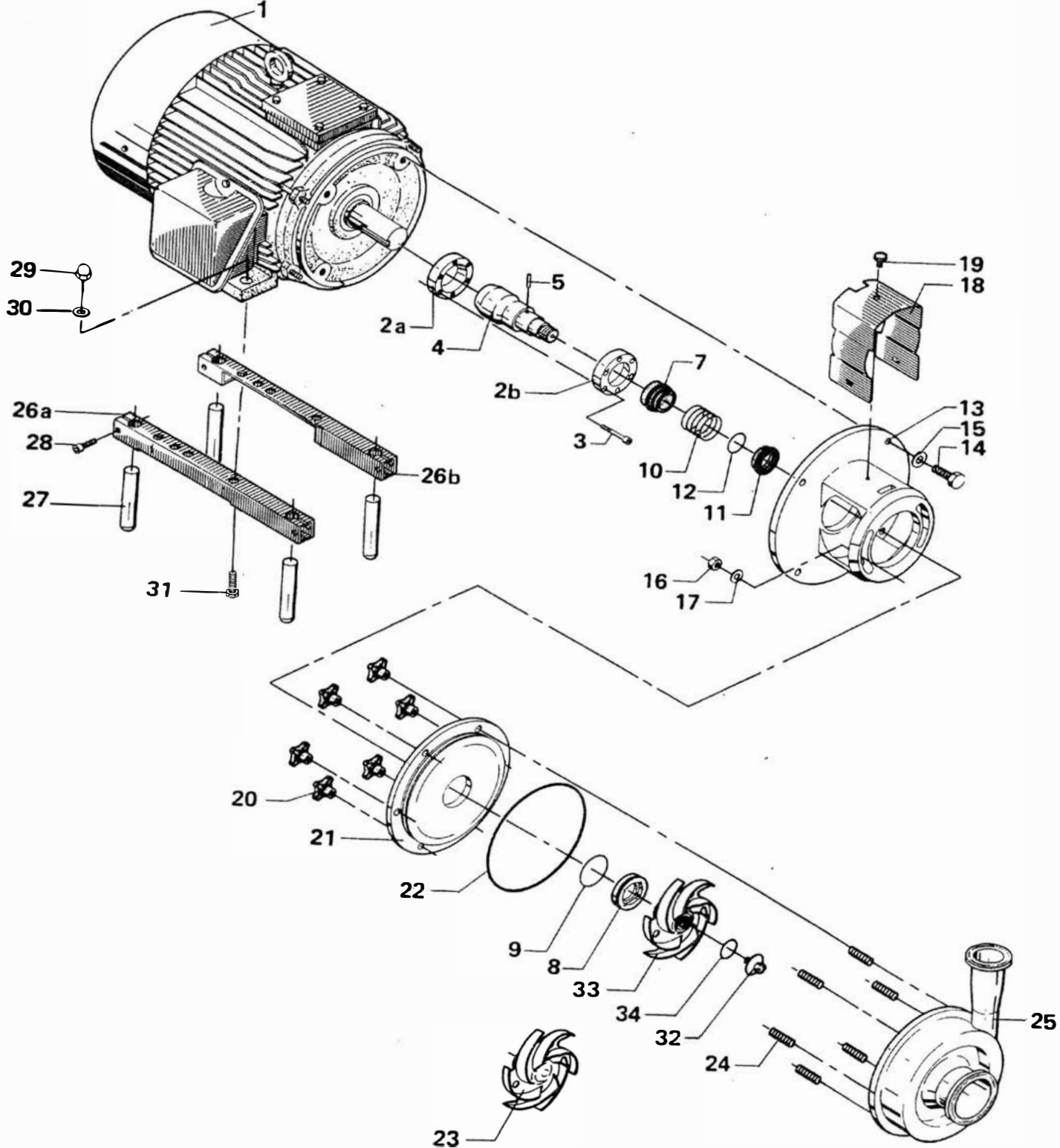
# Centrifugal Pump, Type GHH-30 Single - Flushed Shaft Seal

| Pos. | Qty. | Denomination                    | 7½Hp         | 10 Hp        | 15 Hp        | 20 Hp        | 25 Hp        | 30 Hp        | Pos. | Qty. | Denomination                          |
|------|------|---------------------------------|--------------|--------------|--------------|--------------|--------------|--------------|------|------|---------------------------------------|
| 1    | 1    | Motor                           | 213 TC       | 215 TC       | 254 TC       | 256 TC       | 284 TS       | 286 TS       |      |      |                                       |
| 2a   | 1    | Compression ring with thread    | 9612-1336-06 | 9612-1336-06 | 9612-1336-03 | 9612-1336-03 | 9612-1336-03 | 9612-1336-03 | 8    | 1    | Shaft seal compl. EPDM (std.)         |
| 2b   | 1    | Compression ring without thread | 9612-1337-06 | 9612-1337-06 | 9612-1337-03 | 9612-1337-03 | 9612-1337-03 | 9612-1337-03 |      |      | 9612-1378-01                          |
| 3    | 6    | Screw                           | 9611-99-2338 | 9611-99-2338 | 9611-99-2338 | 9611-99-2338 | 9611-99-2338 | 9611-99-2338 | 9    | 1    | Stationary seal ring, stainless steel |
| 4    | 1    | Shaft, inc. pos. 5              | 9612-1332-02 | 9612-1332-02 | 9612-1333-02 | 9612-1333-02 | 9612-1333-02 | 9612-1333-02 | 9    | 1    | O-ring, EPDM                          |
| 5    | 1    | Connex pin                      | 9611-99-0622 | 9611-99-0622 | 9611-99-0622 | 9611-99-0622 | 9611-99-0622 | 9611-99-0622 | 10   | 1    | Spring                                |
| 7    | 1    | Drive ring                      | 9612-1397-01 | 9612-1397-01 | 9612-1397-01 | 9612-1397-01 | 9612-1397-01 | 9612-1397-01 | 11   | 1    | Rotating seal ring, carbon            |
| 13   | 1    | Adaptor                         | 9612-1346-01 | 9612-1346-01 | 9612-1347-01 | 9612-1347-01 | 9612-1347-01 | 9612-1347-01 | 12   | 1    | O-ring, EPDM                          |
| 14   | 4    | Screw for adaptor               | 2210948-34   | 2210948-34   | 2210948-35   | 2210948-35   | 2210948-35   | 2210948-35   |      |      | Shaft seal compl. NBR                 |
| 15   | 4    | Washer for adaptor              | 223107-22    | 223107-22    | 223107-22    | 223107-22    | 223107-22    | 223107-22    | 8    | 1    | Stationary seal ring, stainless steel |
| 16   | 2    | Nut                             | 9611-99-0353 | 9611-99-0353 | 9611-99-0353 | 9611-99-0353 | 9611-99-0353 | 9611-99-0353 | 9    | 1    | O-ring, NBR                           |
| 17   | 2    | Washer                          | 9611-99-0786 | 9611-99-0786 | 9611-99-0786 | 9611-99-0786 | 9611-99-0786 | 9611-99-0786 | 10   | 1    | Spring                                |
| 18   | 1    | Safety shield                   | 9612-1311-10 | 9612-1311-10 | 9612-1311-11 | 9612-1311-11 | 9612-1311-11 | 9612-1311-11 | 11   | 1    | Rotating seal ring, carbon            |
| 19   | 1    | Screw for safety shield         | 31460-1309-1 | 31460-1309-1 | 31460-1309-1 | 31460-1309-1 | 31460-1309-1 | 31460-1309-1 | 12   | 1    | O-ring, NBR                           |
| 20   | 6    | Handle                          | 9611-99-2303 | 9611-99-2303 | 9611-99-2303 | 9611-99-2303 | 9611-99-2303 | 9611-99-2303 |      |      | Shaft seal compl. FPM                 |
| 21   | 1    | Backplate                       | 9612-1384-18 | 9612-1384-18 | 9612-1384-18 | 9612-1384-18 | 9612-1384-18 | 9612-1384-18 | 8    | 1    | Stationary seal ring, stainless steel |
| 22   | 1    | Joint ring, EPDM (std.)         | 9611-99-2171 | 9611-99-2171 | 9611-99-2171 | 9611-99-2171 | 9611-99-2171 | 9611-99-2171 | 9    | 1    | O-ring, FPM                           |
|      | 1    | Joint ring, NBR                 | 9611-99-2173 | 9611-99-2173 | 9611-99-2173 | 9611-99-2173 | 9611-99-2173 | 9611-99-2173 | 10   | 1    | Spring                                |
|      | 1    | Joint ring, Viton               | 9611-99-2172 | 9611-99-2172 | 9611-99-2172 | 9611-99-2172 | 9611-99-2172 | 9611-99-2172 | 11   | 1    | Rotating seal ring, carbon            |
|      | 1    | Joint ring, Teflon              | 9611-99-2174 | 9611-99-2174 | 9611-99-2174 | 9611-99-2174 | 9611-99-2174 | 9611-99-2174 | 12   | 1    | O-ring, FPM                           |
| 24   | 6    | Bolt                            | 9611-99-2169 | 9611-99-2169 | 9611-99-2169 | 9611-99-2169 | 9611-99-2169 | 9611-99-2169 |      |      | Shaft seal compl. PTFE                |
| 25   | 1    | Pump casing, GC                 | 9612-1290-01 | 9612-1290-01 | 9612-1290-01 | 9612-1290-01 | 9612-1290-01 | 9612-1290-01 | 8    | 1    | Stationary seal ring, stainless steel |
|      | 1    | Pump casing, bev. seat          | 9612-1290-02 | 9612-1290-02 | 9612-1290-02 | 9612-1290-02 | 9612-1290-02 | 9612-1290-02 | 9    | 1    | O-ring, PTFE                          |
|      | 1    | Pump casing, H-line             | 9612-1290-03 | 9612-1290-03 | 9612-1290-03 | 9612-1290-03 | 9612-1290-03 | 9612-1290-03 | 10   | 1    | Spring                                |
|      | 1    | Pump casing, HDI                | 9612-1290-05 | 9612-1290-05 | 9612-1290-05 | 9612-1290-05 | 9612-1290-05 | 9612-1290-05 | 11   | 1    | Rotating seal ring, carbon            |
| 32   | 1    | Impeller screw                  | 9612-1396-03 | 9612-1396-03 | 9612-1396-03 | 9612-1396-03 | 9612-1396-03 | 9612-1396-03 | 12   | 1    | O-ring, PTFE                          |
| 33   | 1    | Impeller                        | 9612-1316-06 | 9612-1316-06 | 9612-1316-06 | 9612-1316-06 | 9612-1316-06 | 9612-1316-06 |      |      | Shaft seal compl. EPDM                |
| 34   | 1    | O-ring EPDM                     | 9611-99-2145 | 9611-99-2145 | 9611-99-2145 | 9611-99-2145 | 9611-99-2145 | 9611-99-2145 | 8    | 1    | Stationary seal ring, sic.            |
|      | 1    | O-ring NBR                      | 9611-99-2147 | 9611-99-2147 | 9611-99-2147 | 9611-99-2147 | 9611-99-2147 | 9611-99-2147 | 9    | 1    | O-ring, EPDM                          |
|      | 1    | O-ring FPM                      | 9611-99-2146 | 9611-99-2146 | 9611-99-2146 | 9611-99-2146 | 9611-99-2146 | 9611-99-2146 | 10   | 1    | Spring                                |
|      | 1    | O-ring PTFE                     | 9611-99-2148 | 9611-99-2148 | 9611-99-2148 | 9611-99-2148 | 9611-99-2148 | 9611-99-2148 | 11   | 1    | Rotating seal ring, carbon            |
| 35   | 1    | Seal housing                    | 9612-1339-01 | 9612-1339-01 | 9612-1339-01 | 9612-1339-01 | 9612-1339-01 | 9612-1339-01 | 12   | 1    | O-ring, PTFE                          |
| 36   | 2    | Screw for seal housing          | 9611-99-0203 | 9611-99-0203 | 9611-99-0203 | 9611-99-0203 | 9611-99-0203 | 9611-99-0203 |      |      | <b>Alternatives</b>                   |
| 37   | 2    | Pipe                            | 31457-0056-1 | 31457-0056-1 | 31457-0056-1 | 31457-0056-1 | 31457-0056-1 | 31457-0056-1 |      |      | Shaft seal compl. EPDM                |
| 38   | 1    | Lip seal                        | 31446-0088-2 | 31446-0088-2 | 31446-0088-2 | 31446-0088-2 | 31446-0088-2 | 31446-0088-2 | 8    | 1    | Stationary seal ring, sic.            |
| 39   | 1    | O-ring for seal housing, EPDM   | 9611-99-2153 | 9611-99-2153 | 9611-99-2153 | 9611-99-2153 | 9611-99-2153 | 9611-99-2153 | 9    | 1    | O-ring, EPDM                          |
| 40   | 1    | O-ring for drive ring, EPDM     | 9611-99-2145 | 9611-99-2145 | 9611-99-2145 | 9611-99-2145 | 9611-99-2145 | 9611-99-2145 | 10   | 1    | Spring                                |
|      |      |                                 |              |              |              |              |              |              | 11   | 1    | Rotating seal ring sic.               |
|      |      |                                 |              |              |              |              |              |              | 12   | 1    | O-ring, EPDM                          |
|      |      |                                 |              |              |              |              |              |              |      |      | Shaft seal compl. NBR                 |
|      |      |                                 |              |              |              |              |              |              | 8    | 1    | Stationary seal ring, sic.            |
|      |      |                                 |              |              |              |              |              |              | 9    | 1    | O-ring, NBR                           |
|      |      |                                 |              |              |              |              |              |              | 10   | 1    | Spring                                |
|      |      |                                 |              |              |              |              |              |              | 11   | 1    | Rotating seal ring sic.               |
|      |      |                                 |              |              |              |              |              |              | 12   | 1    | O-ring, NBR                           |
|      |      |                                 |              |              |              |              |              |              |      |      | Shaft seal compl. FPM                 |
|      |      |                                 |              |              |              |              |              |              | 8    | 1    | Stationary seal ring, sic.            |
|      |      |                                 |              |              |              |              |              |              | 9    | 1    | O-ring, FPM                           |
|      |      |                                 |              |              |              |              |              |              | 10   | 1    | Spring                                |
|      |      |                                 |              |              |              |              |              |              | 11   | 1    | Rotating seal ring sic.               |
|      |      |                                 |              |              |              |              |              |              | 12   | 1    | O-ring, FPM                           |
|      |      |                                 |              |              |              |              |              |              |      |      | Shaft seal compl. PTFE                |
|      |      |                                 |              |              |              |              |              |              | 8    | 1    | Stationary seal ring, sic.            |
|      |      |                                 |              |              |              |              |              |              | 9    | 1    | O-ring, PTFE                          |
|      |      |                                 |              |              |              |              |              |              | 10   | 1    | Spring                                |
|      |      |                                 |              |              |              |              |              |              | 11   | 1    | Rotating seal ring sic.               |
|      |      |                                 |              |              |              |              |              |              | 12   | 1    | O-ring, PTFE                          |

\* Not shown

Conversion kit single to double shaft seal: 9611-92-2042

Reg. 2.1 SP70737/10 GH 9011

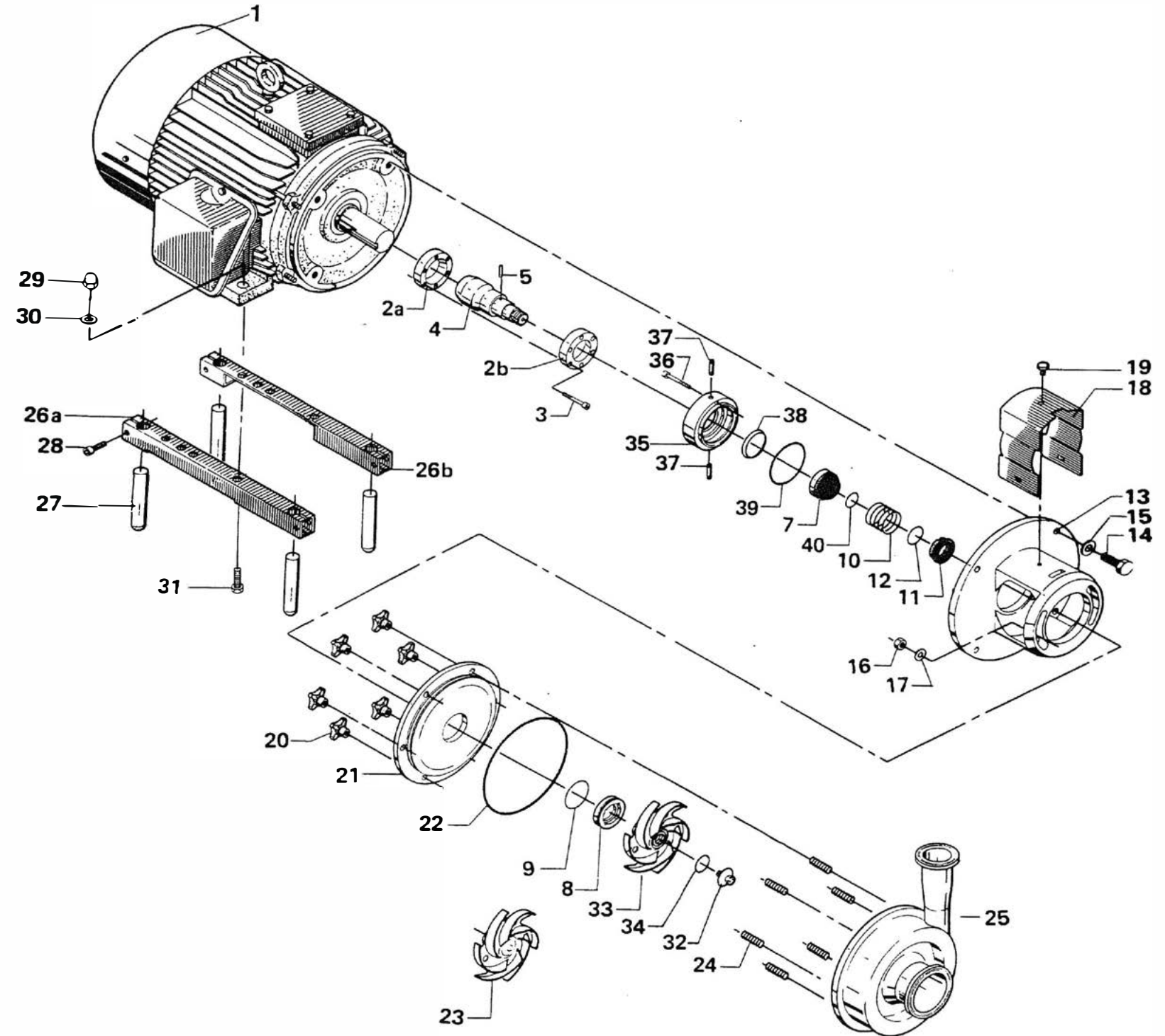




| Pos.                | Qty. | Denomination                          | 7½Hp         | 10 Hp        | 15 Hp        | 20 Hp        | 25 Hp        | 30 Hp        |
|---------------------|------|---------------------------------------|--------------|--------------|--------------|--------------|--------------|--------------|
| 1                   | 1    | Motor .....                           | 213 TC       | 215 TC       | 254 TC       | 256 TC       | 284 TS       | 286 TC       |
| 2a                  | 1    | Compression ring with thread .....    | 9612-1336-06 | 9612-1336-06 | 9612-1336-03 | 9612-1336-03 | 9612-1336-03 | 9612-1336-03 |
| 2b                  | 1    | Compression ring without thread ..... | 9612-1337-06 | 9612-1337-06 | 9612-1337-03 | 9612-1337-03 | 9612-1337-03 | 9612-1337-03 |
| 3                   | 6    | Screw .....                           | 9611-99-2338 | 9611-99-2338 | 9611-99-2338 | 9611-99-2338 | 9611-99-2338 | 9611-99-2338 |
| 4                   | 1    | Shaft, inc. pos. 5 .....              | 9612-1332-02 | 9612-1332-02 | 9612-1333-02 | 9612-1333-02 | 9612-1333-02 | 9612-1333-02 |
| 5                   | 1    | Connex pin .....                      | 9611-99-0622 | 9611-99-0622 | 9611-99-0622 | 9611-99-0622 | 9611-99-0622 | 9611-99-0622 |
| 7                   | 1    | Drive ring .....                      | 9612-1377-01 | 9612-1377-01 | 9612-1377-01 | 9612-1377-01 | 9612-1377-01 | 9612-1377-01 |
| 13                  | 1    | Adaptor .....                         | 9612-1346-01 | 9612-1346-01 | 9612-1347-01 | 9612-1347-01 | 9612-1347-01 | 9612-1347-01 |
| 14                  | 4    | Screw for adaptor .....               | 2210948-34   | 2210948-34   | 2210948-35   | 2210948-35   | 2210948-35   | 2210948-35   |
| 15                  | 4    | Washer for adaptor .....              | 223107-22    | 223107-22    | 223107-22    | 223107-22    | 223107-22    | 223107-22    |
| 16                  | 2    | Nut .....                             | 9611-99-0353 | 9611-99-0353 | 9611-99-0353 | 9611-99-0353 | 9611-99-0353 | 9611-99-0353 |
| 17                  | 2    | Washer .....                          | 9611-99-0786 | 9611-99-0786 | 9611-99-0786 | 9611-99-0786 | 9611-99-0786 | 9611-99-0786 |
| 18                  | 1    | Safety shield .....                   | 9612-1311-07 | 9612-1311-07 | 9612-1311-08 | 9612-1311-08 | 9612-1311-08 | 9612-1311-08 |
| 19                  | 1    | Screw for safety shield .....         | 31460-1309-1 | 31460-1309-1 | 31460-1309-1 | 31460-1309-1 | 31460-1309-1 | 31460-1309-1 |
| 20                  | 6    | Handle .....                          | 9611-99-2303 | 9611-99-2303 | 9611-99-2303 | 9611-99-2303 | 9611-99-2303 | 9611-99-2303 |
| 21                  | 1    | Backplate .....                       | 9612-1384-06 | 9612-1384-06 | 9612-1384-06 | 9612-1384-06 | 9612-1384-06 | 9612-1384-06 |
| 22                  | 1    | Joint ring, EPDM (std.) .....         | 9611-99-2171 | 9611-99-2171 | 9611-99-2171 | 9611-99-2171 | 9611-99-2171 | 9611-99-2171 |
|                     | 1    | Joint ring, NBR .....                 | 9611-99-2173 | 9611-99-2173 | 9611-99-2173 | 9611-99-2173 | 9611-99-2173 | 9611-99-2173 |
|                     | 1    | Joint ring, FPM .....                 | 9611-99-2172 | 9611-99-2172 | 9611-99-2172 | 9611-99-2172 | 9611-99-2172 | 9611-99-2172 |
|                     | 1    | Joint ring, PTFE .....                | 9611-99-2174 | 9611-99-2174 | 9611-99-2174 | 9611-99-2174 | 9611-99-2174 | 9611-99-2174 |
| 24                  | 6    | Bolt .....                            | 9611-99-2169 | 9611-99-2169 | 9611-99-2169 | 9611-99-2169 | 9611-99-2169 | 9611-99-2169 |
| 25                  | 1    | Pump casing, GC .....                 | 9612-1290-06 | 9612-1290-06 | 9612-1290-06 | 9612-1290-06 | 9612-1290-06 | 9612-1290-06 |
|                     | 1    | Pump casing, bev. seat .....          | 9612-1290-07 | 9612-1290-07 | 9612-1290-07 | 9612-1290-07 | 9612-1290-07 | 9612-1290-07 |
|                     | 1    | Pump casing, H-line .....             | 9612-1290-08 | 9612-1290-08 | 9612-1290-08 | 9612-1290-08 | 9612-1290-08 | 9612-1290-08 |
|                     | 1    | Pump casing, HDI .....                | 9612-1290-10 | 9612-1290-10 | 9612-1290-10 | 9612-1290-10 | 9612-1290-10 | 9612-1290-10 |
|                     | 1    | Pump casing, NPT .....                | 9612-1290-11 | 9612-1290-11 | 9612-1290-11 | 9612-1290-11 | 9612-1290-11 | 9612-1290-11 |
| 32                  | 1    | Impeller screw .....                  | 9612-1396-01 | 9612-1396-01 | 9612-1396-01 | 9612-1396-01 | 9612-1396-01 | 9612-1396-01 |
| 33                  | 1    | Impeller .....                        | 9612-1316-02 | 9612-1316-02 | 9612-1316-02 | 9612-1316-02 | 9612-1316-02 | 9612-1316-02 |
| 34                  | 1    | O-ring EPDM .....                     | 9611-99-2145 | 9611-99-2145 | 9611-99-2145 | 9611-99-2145 | 9611-99-2145 | 9611-99-2145 |
|                     | 1    | O-ring NBR .....                      | 9611-99-2147 | 9611-99-2147 | 9611-99-2147 | 9611-99-2147 | 9611-99-2147 | 9611-99-2147 |
|                     | 1    | O-ring FPM .....                      | 9611-99-2146 | 9611-99-2146 | 9611-99-2146 | 9611-99-2146 | 9611-99-2146 | 9611-99-2146 |
|                     | 1    | O-ring PTFE .....                     | 9611-99-2148 | 9611-99-2148 | 9611-99-2148 | 9611-99-2148 | 9611-99-2148 | 9611-99-2148 |
| <b>Alternatives</b> |      |                                       |              |              |              |              |              |              |
| 23                  | 1    | Impeller .....                        | 9612-1316-01 | 9612-1316-01 | 9612-1316-01 | 9612-1316-01 | 9612-1316-01 | 9612-1316-01 |
| <b>Legs</b>         |      |                                       |              |              |              |              |              |              |
| 26a                 | 1    | Support bar, right .....              | 31460-1287-2 | 31460-1287-2 | 31460-1287-3 | 31460-1287-3 | 31460-1287-4 | 31460-1287-4 |
| 26b                 | 1    | Support bar, left .....               | 31460-1288-2 | 31460-1288-2 | 31460-1288-3 | 31460-1288-3 | 31460-1288-4 | 31460-1288-4 |
| 27                  | 4    | Leg .....                             | 31460-1018-1 | 31460-1018-1 | 31460-1018-1 | 31460-1018-1 | 31460-1018-1 | 31460-1018-1 |
| 28                  | 4    | Screw .....                           | 9611-99-1907 | 9611-99-1907 | 9611-99-1907 | 9611-99-1907 | 9611-99-1907 | 9611-99-1907 |
| 29                  | 4    | Acorn cap nut .....                   | 221851-11    | 221851-11    | 221851-15    | 221851-15    | 221851-15    | 221851-15    |
| 30                  | 4    | Spring washer .....                   | 223107-21    | 223107-21    | 223107-22    | 223107-22    | 223107-22    | 223107-22    |
| 31                  | 4    | Screw .....                           | 9611-99-1911 | 9611-99-1911 | 9611-99-1834 | 9611-99-1834 | 9611-99-1834 | 9611-99-1834 |
| <b>Accessories</b>  |      |                                       |              |              |              |              |              |              |
| *                   | 1    | Tool compl. ....                      | 9612-1371-01 |              |              |              |              |              |

| Pos.                | Qty. | Denomination                                |              |
|---------------------|------|---|--------------|
|                     |      | Shaft seal compl. EPDM (std.) .....         | 9612-1296-01 |
| 8                   | 1    | Stationary seal ring, stainless steel ..... | 9612-1378-01 |
| 9                   | 1    | O-ring, EPDM .....                          | 9611-99-2149 |
| 10                  | 1    | Spring .....                                | 9612-1376-01 |
| 11                  | 1    | Rotating seal ring, carbon .....            | 9612-1364-01 |
| 12                  | 1    | O-ring, EPDM .....                          | 9611-99-2145 |
|                     |      | Shaft seal compl. NBR .....                 | 9612-1296-02 |
| 8                   | 1    | Stationary seal ring, stainless steel ..... | 9612-1378-01 |
| 9                   | 1    | O-ring, NBR .....                           | 9611-99-2151 |
| 10                  | 1    | Spring .....                                | 9612-1376-01 |
| 11                  | 1    | Rotating seal ring, carbon .....            | 9612-1364-01 |
| 12                  | 1    | O-ring, NBR .....                           | 9611-99-2147 |
|                     |      | Shaft seal compl. FPM .....                 | 9612-1296-03 |
| 8                   | 1    | Stationary seal ring, stainless steel ..... | 9612-1378-01 |
| 9                   | 1    | O-ring, FPM .....                           | 9611-99-2150 |
| 10                  | 1    | Spring .....                                | 9612-1376-01 |
| 11                  | 1    | Rotating seal ring, carbon .....            | 9612-1364-01 |
| 12                  | 1    | O-ring, FPM .....                           | 9611-99-2146 |
|                     |      | Shaft seal compl. PTFE .....                | 9612-1296-04 |
| 8                   | 1    | Stationary seal ring, stainless steel ..... | 9612-1378-01 |
| 9                   | 1    | O-ring, PTFE .....                          | 9611-99-2152 |
| 10                  | 1    | Spring .....                                | 9612-1376-01 |
| 11                  | 1    | Rotating seal ring, carbon .....            | 9612-1364-01 |
| 12                  | 1    | O-ring, PTFE .....                          | 9611-99-2148 |
| <b>Alternatives</b> |      |   |              |
|                     |      | Shaft seal compl. EPDM .....                | 9612-1296-05 |
| 8                   | 1    | Stationary seal ring, sic. ....             | 9612-1379-01 |
| 9                   | 1    | O-ring, EPDM .....                          | 9611-99-2149 |
| 10                  | 1    | Spring .....                                | 9612-1376-01 |
| 11                  | 1    | Rotating seal ring sic. ....                | 9612-1364-02 |
| 12                  | 1    | O-ring, EPDM .....                          | 9611-99-2145 |
|                     |      | Shaft seal compl. NBR .....                 | 9612-1296-06 |
| 8                   | 1    | Stationary seal ring, sic. ....             | 9612-1379-01 |
| 9                   | 1    | O-ring, NBR .....                           | 9611-99-2151 |
| 10                  | 1    | Spring .....                                | 9612-1376-01 |
| 11                  | 1    | Rotating seal ring sic. ....                | 9612-1364-02 |
| 12                  | 1    | O-ring, NBR .....                           | 9611-99-2147 |
|                     |      | Shaft seal compl. FPM .....                 | 9612-1296-07 |
| 8                   | 1    | Stationary seal ring, sic. ....             | 9612-1379-01 |
| 9                   | 1    | O-ring, FPM .....                           | 9611-99-2150 |
| 10                  | 1    | Spring .....                                | 9612-1376-01 |
| 11                  | 1    | Rotating seal ring sic. ....                | 9612-1364-02 |
| 12                  | 1    | O-ring, FPM .....                           | 9611-99-2146 |
|                     |      | Shaft seal compl. PTFE .....                | 9612-1296-08 |
| 8                   | 1    | Stationary seal ring, sic. ....             | 9612-1379-01 |
| 9                   | 1    | O-ring, PTFE .....                          | 9611-99-2152 |
| 10                  | 1    | Spring .....                                | 9612-1376-01 |
| 11                  | 1    | Rotating seal ring sic. ....                | 9612-1364-02 |
| 12                  | 1    | O-ring, PTFE .....                          | 9611-99-2148 |

\* Not shown



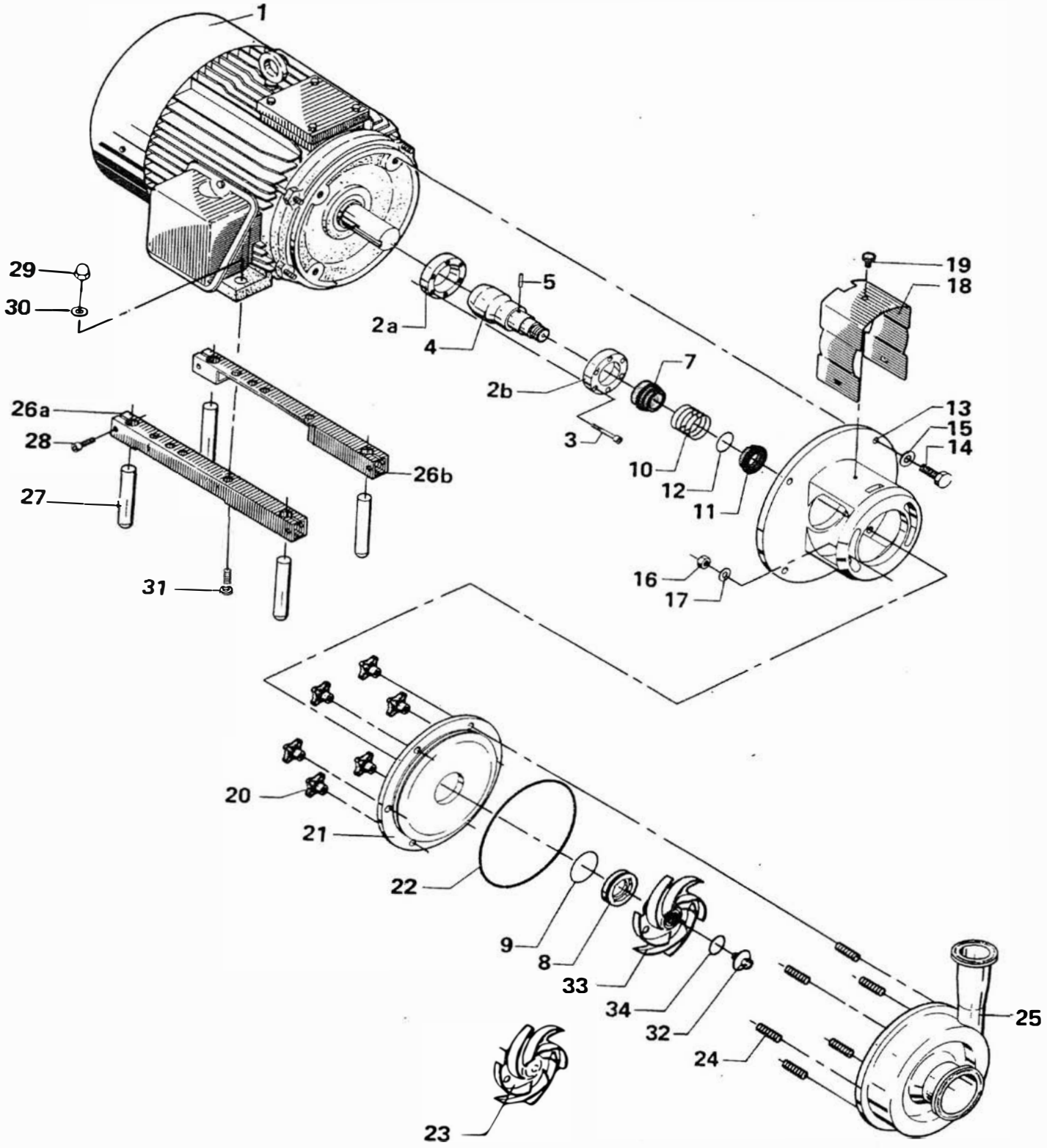
| Pos.                | Qty. | Denomination                          | 7½ Hp        | 10 Hp        | 15 Hp        | 20 Hp        | 25 Hp        | 30 Hp        |
|---------------------|------|---------------------------------------|--------------|--------------|--------------|--------------|--------------|--------------|
| 1                   | 1    | Motor .....                           | 213 TC       | 215 TC       | 254 TC       | 256 TC       | 284 TS       | 286 TS       |
| 2a                  | 1    | Compression ring with thread .....    | 9612-1336-06 | 9612-1336-06 | 9612-1336-03 | 9612-1336-03 | 9612-1336-03 | 9612-1336-03 |
| 2b                  | 1    | Compression ring without thread ..... | 9612-1337-06 | 9612-1337-06 | 9612-1337-03 | 9612-1337-03 | 9612-1337-03 | 9612-1337-03 |
| 3                   | 6    | Screw .....                           | 9611-99-2338 | 9611-99-2338 | 9611-99-2338 | 9611-99-2338 | 9611-99-2338 | 9611-99-2338 |
| 4                   | 1    | Shaft, inc. pos. 5 .....              | 9612-1332-02 | 9612-1332-02 | 9612-1333-02 | 9612-1333-02 | 9612-1333-02 | 9612-1333-02 |
| 5                   | 1    | Connex pin .....                      | 9611-99-0622 | 9611-99-0622 | 9611-99-0622 | 9611-99-0622 | 9611-99-0622 | 9611-99-0622 |
| 7                   | 1    | Drive ring .....                      | 9612-1397-01 | 9612-1397-01 | 9612-1397-01 | 9612-1397-01 | 9612-1397-01 | 9612-1397-01 |
| 13                  | 1    | Adaptor .....                         | 9612-1346-01 | 9612-1346-01 | 9612-1347-01 | 9612-1347-01 | 9612-1347-01 | 9612-1347-01 |
| 14                  | 4    | Screw for adaptor .....               | 2210948-34   | 2210948-34   | 2210948-35   | 2210948-35   | 2210948-35   | 2210948-35   |
| 15                  | 4    | Washer for adaptor .....              | 223107-22    | 223107-22    | 223107-22    | 223107-22    | 223107-22    | 223107-22    |
| 16                  | 2    | Nut .....                             | 9611-99-0353 | 9611-99-0353 | 9611-99-0353 | 9611-99-0353 | 9611-99-0353 | 9611-99-0353 |
| 17                  | 2    | Washer .....                          | 9611-99-0786 | 9611-99-0786 | 9611-99-0786 | 9611-99-0786 | 9611-99-0786 | 9611-99-0786 |
| 18                  | 1    | Safety shield .....                   | 9612-1311-07 | 9612-1311-07 | 9612-1311-08 | 9612-1311-08 | 9612-1311-08 | 9612-1311-08 |
| 19                  | 1    | Screw for safety shield .....         | 31460-1309-1 | 31460-1309-1 | 31460-1309-1 | 31460-1309-1 | 31460-1309-1 | 31460-1309-1 |
| 20                  | 6    | Handle .....                          | 9611-99-2303 | 9611-99-2303 | 9611-99-2303 | 9611-99-2303 | 9611-99-2303 | 9611-99-2303 |
| 21                  | 1    | Backplate .....                       | 9612-1384-06 | 9612-1384-06 | 9612-1384-06 | 9612-1384-06 | 9612-1384-06 | 9612-1384-06 |
| 22                  | 1    | Joint ring, EPDM (std.) .....         | 9611-99-2171 | 9611-99-2171 | 9611-99-2171 | 9611-99-2171 | 9611-99-2171 | 9611-99-2171 |
|                     | 1    | Joint ring, NBR .....                 | 9611-99-2173 | 9611-99-2173 | 9611-99-2173 | 9611-99-2173 | 9611-99-2173 | 9611-99-2173 |
|                     | 1    | Joint ring, Viton .....               | 9611-99-2172 | 9611-99-2172 | 9611-99-2172 | 9611-99-2172 | 9611-99-2172 | 9611-99-2172 |
|                     | 1    | Joint ring, Teflon .....              | 9611-99-2174 | 9611-99-2174 | 9611-99-2174 | 9611-99-2174 | 9611-99-2174 | 9611-99-2174 |
| 24                  | 6    | Bolt .....                            | 9611-99-2169 | 9611-99-2169 | 9611-99-2169 | 9611-99-2169 | 9611-99-2169 | 9611-99-2169 |
| 25                  | 1    | Pump casing, GC .....                 | 9612-1290-06 | 9612-1290-06 | 9612-1290-06 | 9612-1290-06 | 9612-1290-06 | 9612-1290-06 |
|                     | 1    | Pump casing, bev. seat .....          | 9612-1290-07 | 9612-1290-07 | 9612-1290-07 | 9612-1290-07 | 9612-1290-07 | 9612-1290-07 |
|                     | 1    | Pump casing, H-line .....             | 9612-1290-08 | 9612-1290-08 | 9612-1290-08 | 9612-1290-08 | 9612-1290-08 | 9612-1290-08 |
|                     | 1    | Pump casing, HDI .....                | 9612-1290-10 | 9612-1290-10 | 9612-1290-10 | 9612-1290-10 | 9612-1290-10 | 9612-1290-10 |
|                     | 1    | Pump casing, NPT .....                | 9612-1290-11 | 9612-1290-11 | 9612-1290-11 | 9612-1290-11 | 9612-1290-11 | 9612-1290-11 |
| 32                  | 1    | Impeller screw .....                  | 9612-1396-01 | 9612-1396-01 | 9612-1396-01 | 9612-1396-01 | 9612-1396-01 | 9612-1396-01 |
| 33                  | 1    | Impeller .....                        | 9612-1316-02 | 9612-1316-02 | 9612-1316-02 | 9612-1316-02 | 9612-1316-02 | 9612-1316-02 |
| 34                  | 1    | O-ring EPDM .....                     | 9611-99-2145 | 9611-99-2145 | 9611-99-2145 | 9611-99-2145 | 9611-99-2145 | 9611-99-2145 |
|                     | 1    | O-ring NBR .....                      | 9611-99-2147 | 9611-99-2147 | 9611-99-2147 | 9611-99-2147 | 9611-99-2147 | 9611-99-2147 |
|                     | 1    | O-ring FPM .....                      | 9611-99-2146 | 9611-99-2146 | 9611-99-2146 | 9611-99-2146 | 9611-99-2146 | 9611-99-2146 |
|                     | 1    | O-ring PTFE .....                     | 9611-99-2148 | 9611-99-2148 | 9611-99-2148 | 9611-99-2148 | 9611-99-2148 | 9611-99-2148 |
| 35                  | 1    | Seal housing .....                    | 9612-1339-01 | 9612-1339-01 | 9612-1339-01 | 9612-1339-01 | 9612-1339-01 | 9612-1339-01 |
| 36                  | 2    | Screw for seal housing .....          | 9611-99-0203 | 9611-99-0203 | 9611-99-0203 | 9611-99-0203 | 9611-99-0203 | 9611-99-0203 |
| 37                  | 2    | Pipe .....                            | 31457-0056-1 | 31457-0056-1 | 31457-0056-1 | 31457-0056-1 | 31457-0056-1 | 31457-0056-1 |
| 38                  | 1    | Lip seal .....                        | 31446-0088-2 | 31446-0088-2 | 31446-0088-2 | 31446-0088-2 | 31446-0088-2 | 31446-0088-2 |
| 39                  | 1    | O-ring for seal housing, EPDM .....   | 9611-99-2153 | 9611-99-2153 | 9611-99-2153 | 9611-99-2153 | 9611-99-2153 | 9611-99-2153 |
| 40                  | 1    | O-ring for drive ring, EPDM .....     | 9611-99-2145 | 9611-99-2145 | 9611-99-2145 | 9611-99-2145 | 9611-99-2145 | 9611-99-2145 |
| <b>Alternatives</b> |      |                                       |              |              |              |              |              |              |
| 23                  | 1    | Impeller .....                        | 9612-1316-01 | 9612-1316-01 | 9612-1316-01 | 9612-1316-01 | 9612-1316-01 | 9612-1316-01 |
| <b>Legs</b>         |      |                                       |              |              |              |              |              |              |
| 26a                 | 1    | Support bar, right .....              | 31460-1287-2 | 31460-1287-2 | 31460-1287-3 | 31460-1287-3 | 31460-1287-4 | 31460-1287-4 |
| 26b                 | 1    | Support bar, left .....               | 31460-1288-2 | 31460-1288-2 | 31460-1288-3 | 31460-1288-3 | 31460-1288-4 | 31460-1288-4 |
| 27                  | 4    | Leg .....                             | 31460-1018-1 | 31460-1018-1 | 31460-1018-1 | 31460-1018-1 | 31460-1018-1 | 31460-1018-1 |
| 28                  | 4    | Screw .....                           | 9611-99-1907 | 9611-99-1907 | 9611-99-1907 | 9611-99-1907 | 9611-99-1907 | 9611-99-1907 |
| 29                  | 4    | Acorn cap nut .....                   | 221851-11    | 221851-11    | 221851-15    | 221851-15    | 221851-15    | 221851-15    |
| 30                  | 4    | Spring washer .....                   | 223107-21    | 223107-21    | 223107-22    | 223107-22    | 223107-22    | 223107-22    |
| 31                  | 4    | Screw .....                           | 9611-99-1911 | 9611-99-1911 | 9611-99-1834 | 9611-99-1834 | 9611-99-1834 | 9611-99-1834 |
| <b>Accessories</b>  |      |                                       |              |              |              |              |              |              |
| *                   | 1    | Tool compl. ....                      | 9612-1371-01 |              |              |              |              |              |

| Pos.                | Qty. | Denomination                        |              |
|---------------------|------|-------------------------------------|--------------|
|                     |      | Shaft seal compl. EPDM (std.) ..... | 9612-1296-01 |
| 8                   | 1    | Stationary seal ring, .....         | 9612-1378-01 |
|                     |      | stainless steel                     |              |
| 9                   | 1    | O-ring, EPDM .....                  | 9611-99-2149 |
| 10                  | 1    | Spring .....                        | 9612-1376-01 |
| 11                  | 1    | Rotating seal ring, carbon .....    | 9612-1364-01 |
| 12                  | 1    | O-ring, EPDM .....                  | 9611-99-2145 |
|                     |      | Shaft seal compl. NBR .....         | 9612-1296-02 |
| 8                   | 1    | Stationary seal ring, .....         | 9612-1378-01 |
|                     |      | stainless steel                     |              |
| 9                   | 1    | O-ring, NBR .....                   | 9611-99-2151 |
| 10                  | 1    | Spring .....                        | 9612-1376-01 |
| 11                  | 1    | Rotating seal ring, carbon .....    | 9612-1364-01 |
| 12                  | 1    | O-ring, NBR .....                   | 9611-99-2147 |
|                     |      | Shaft seal compl. FPM .....         | 9612-1296-03 |
| 8                   | 1    | Stationary seal ring, .....         | 9612-1378-01 |
|                     |      | stainless steel                     |              |
| 9                   | 1    | O-ring, FPM .....                   | 9611-99-2150 |
| 10                  | 1    | Spring .....                        | 9612-1376-01 |
| 11                  | 1    | Rotating seal ring, carbon .....    | 9612-1364-01 |
| 12                  | 1    | O-ring, FPM .....                   | 9611-99-2146 |
|                     |      | Shaft seal compl. PTFE .....        | 9612-1296-04 |
| 8                   | 1    | Stationary seal ring, .....         | 9612-1378-01 |
|                     |      | stainless steel                     |              |
| 9                   | 1    | O-ring, PTFE .....                  | 9611-99-2152 |
| 10                  | 1    | Spring .....                        | 9612-1376-01 |
| 11                  | 1    | Rotating seal ring, carbon .....    | 9612-1364-01 |
| 12                  | 1    | O-ring, PTFE .....                  | 9611-99-2148 |
| <b>Alternatives</b> |      |                                     |              |
|                     |      | Shaft seal compl. EPDM .....        | 9612-1296-05 |
| 8                   | 1    | Stationary seal ring, sic. ....     | 9612-1379-01 |
| 9                   | 1    | O-ring, EPDM .....                  | 9611-99-2149 |
| 10                  | 1    | Spring .....                        | 9612-1376-01 |
| 11                  | 1    | Rotating seal ring sic. ....        | 9612-1364-02 |
| 12                  | 1    | O-ring, EPDM .....                  | 9611-99-2145 |
|                     |      | Shaft seal compl. NBR .....         | 9612-1296-06 |
| 8                   | 1    | Stationary seal ring, sic. ....     | 9612-1379-01 |
| 9                   | 1    | O-ring, NBR .....                   | 9611-99-2151 |
| 10                  | 1    | Spring .....                        | 9612-1376-01 |
| 11                  | 1    | Rotating seal ring sic. ....        | 9612-1364-02 |
| 12                  | 1    | O-ring, NBR .....                   | 9611-99-2147 |
|                     |      | Shaft seal compl. FPM .....         | 9612-1296-07 |
| 8                   | 1    | Stationary seal ring, sic. ....     | 9612-1379-01 |
| 9                   | 1    | O-ring, FPM .....                   | 9611-99-2150 |
| 10                  | 1    | Spring .....                        | 9612-1376-01 |
| 11                  | 1    | Rotating seal ring sic. ....        | 9612-1364-02 |
| 12                  | 1    | O-ring, FPM .....                   | 9611-99-2146 |
|                     |      | Shaft seal compl. PTFE .....        | 9612-1296-08 |
| 8                   | 1    | Stationary seal ring, sic. ....     | 9612-1379-01 |
| 9                   | 1    | O-ring, PTFE .....                  | 9611-99-2152 |
| 10                  | 1    | Spring .....                        | 9612-1376-01 |
| 11                  | 1    | Rotating seal ring sic. ....        | 9612-1364-02 |
| 12                  | 1    | O-ring, PTFE .....                  | 9611-99-2148 |

\* Not shown

Conversion kit single to double shaft seal: 9611-92-2042

Reg. 2.1 SP70737/12 GH 9011



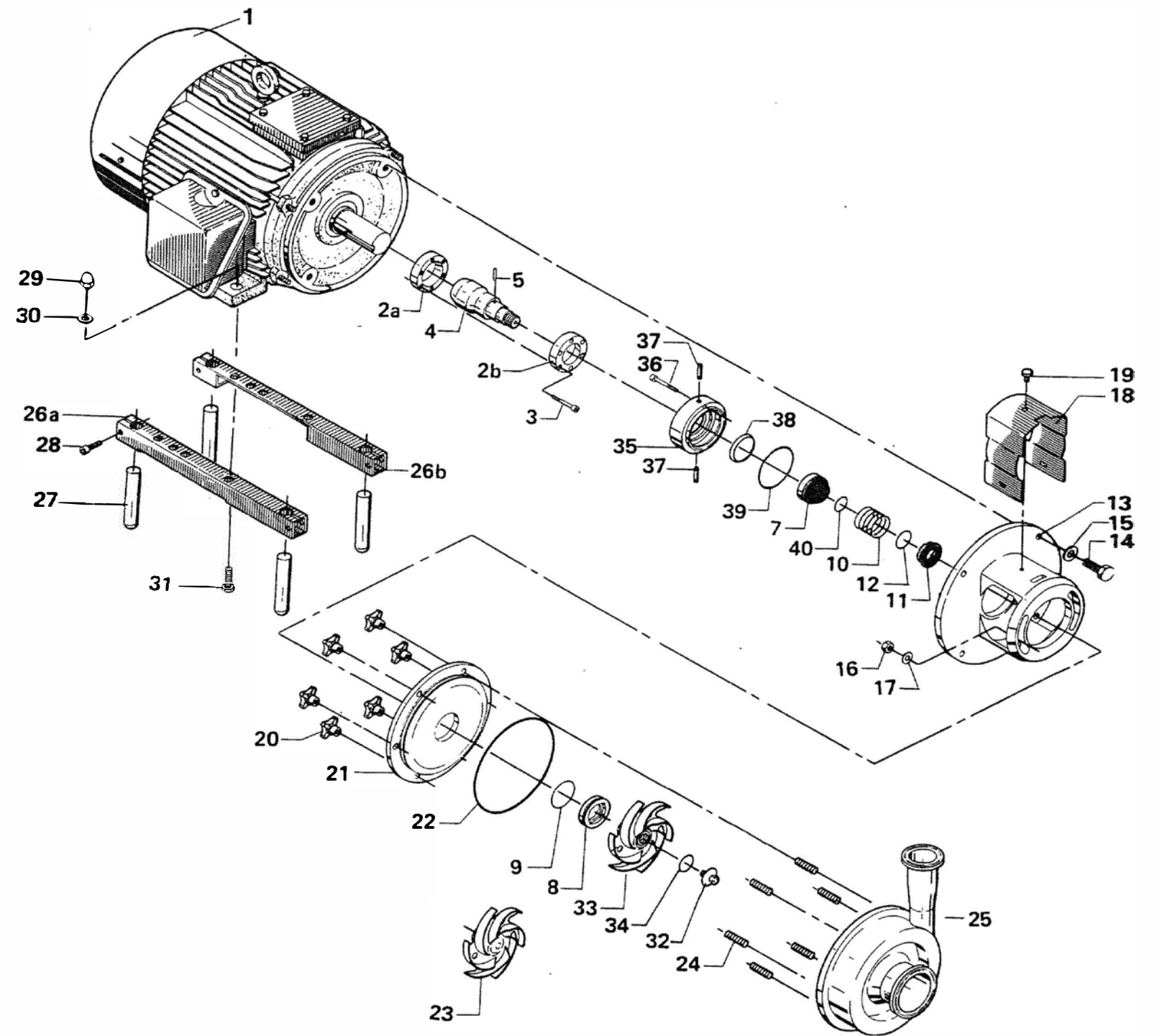
# Centrifugal Pump, Type GHH-40 Single Shaft Seal

| Pos.                | Qty. | Denomination                          | 7½Hp         | 10 Hp        | 15 Hp        | 20 Hp        | 25 Hp        | 30 Hp        |
|---------------------|------|---------------------------------------|--------------|--------------|--------------|--------------|--------------|--------------|
| 1                   | 1    | Motor .....                           | 213 TC       | 215 TC       | 254 TC       | 256 TC       | 284 TS       | 286 TS       |
| 2a                  | 1    | Compression ring with thread .....    | 9612-1336-06 | 9612-1336-06 | 9612-1336-03 | 9612-1336-03 | 9612-1336-03 | 9612-1336-03 |
| 2b                  | 1    | Compression ring without thread ..... | 9612-1337-06 | 9612-1337-06 | 9612-1337-03 | 9612-1337-03 | 9612-1337-03 | 9612-1337-03 |
| 3                   | 6    | Screw .....                           | 9611-99-2338 | 9611-99-2338 | 9611-99-2338 | 9611-99-2338 | 9611-99-2338 | 9611-99-2338 |
| 4                   | 1    | Shaft, inc. pos. 5 .....              | 9612-1332-02 | 9612-1332-02 | 9612-1333-02 | 9612-1333-02 | 9612-1333-02 | 9612-1333-02 |
| 5                   | 1    | Connex pin .....                      | 9611-99-0622 | 9611-99-0622 | 9611-99-0622 | 9611-99-0622 | 9611-99-0622 | 9611-99-0622 |
| 7                   | 1    | Drive ring .....                      | 9612-1377-01 | 9612-1377-01 | 9612-1377-01 | 9612-1377-01 | 9612-1377-01 | 9612-1377-01 |
| 13                  | 1    | Adaptor .....                         | 9612-1346-01 | 9612-1346-01 | 9612-1347-01 | 9612-1347-01 | 9612-1347-01 | 9612-1347-01 |
| 14                  | 4    | Screw for adaptor .....               | 2210948-34   | 2210948-34   | 2210948-35   | 2210948-35   | 2210948-35   | 2210948-35   |
| 15                  | 4    | Washer for adaptor .....              | 223107-22    | 223107-22    | 223107-22    | 223107-22    | 223107-22    | 223107-22    |
| 16                  | 2    | Nut .....                             | 9611-99-0353 | 9611-99-0353 | 9611-99-0353 | 9611-99-0353 | 9611-99-0353 | 9611-99-0353 |
| 17                  | 2    | Washer .....                          | 9611-99-0786 | 9611-99-0786 | 9611-99-0786 | 9611-99-0786 | 9611-99-0786 | 9611-99-0786 |
| 18                  | 1    | Safety shield .....                   | 9612-1311-10 | 9612-1311-10 | 9612-1311-11 | 9612-1311-11 | 9612-1311-11 | 9612-1311-11 |
| 19                  | 1    | Screw for safety shield .....         | 31460-1309-1 | 31460-1309-1 | 31460-1309-1 | 31460-1309-1 | 31460-1309-1 | 31460-1309-1 |
| 20                  | 6    | Handle .....                          | 9611-99-2303 | 9611-99-2303 | 9611-99-2303 | 9611-99-2303 | 9611-99-2303 | 9611-99-2303 |
| 21                  | 1    | Backplate .....                       | 9612-1384-18 | 9612-1384-18 | 9612-1384-18 | 9612-1384-18 | 9612-1384-18 | 9612-1384-18 |
| 22                  | 1    | Joint ring, EPDM (std.) .....         | 9611-99-2171 | 9611-99-2171 | 9611-99-2171 | 9611-99-2171 | 9611-99-2171 | 9611-99-2171 |
|                     | 1    | Joint ring, NBR .....                 | 9611-99-2173 | 9611-99-2173 | 9611-99-2173 | 9611-99-2173 | 9611-99-2173 | 9611-99-2173 |
|                     | 1    | Joint ring, FPM .....                 | 9611-99-2172 | 9611-99-2172 | 9611-99-2172 | 9611-99-2172 | 9611-99-2172 | 9611-99-2172 |
|                     | 1    | Joint ring, PTFE .....                | 9611-99-2174 | 9611-99-2174 | 9611-99-2174 | 9611-99-2174 | 9611-99-2174 | 9611-99-2174 |
| 24                  | 6    | Bolt .....                            | 9611-99-2169 | 9611-99-2169 | 9611-99-2169 | 9611-99-2169 | 9611-99-2169 | 9611-99-2169 |
| 25                  | 1    | Pump casing, GC .....                 | 9612-1291-01 | 9612-1291-01 | 9612-1291-01 | 9612-1291-01 | 9612-1291-01 | 9612-1291-01 |
|                     | 1    | Pump casing, bev. seat .....          | 9612-1291-02 | 9612-1291-02 | 9612-1291-02 | 9612-1291-02 | 9612-1291-02 | 9612-1291-02 |
|                     | 1    | Pump casing, H-line .....             | 9612-1291-03 | 9612-1291-03 | 9612-1291-03 | 9612-1291-03 | 9612-1291-03 | 9612-1291-03 |
|                     | 1    | Pump casing, HDI .....                | 9612-1291-05 | 9612-1291-05 | 9612-1291-05 | 9612-1291-05 | 9612-1291-05 | 9612-1291-05 |
| 32                  | 1    | Impeller screw .....                  | 9612-1396-03 | 9612-1396-03 | 9612-1396-03 | 9612-1396-03 | 9612-1396-03 | 9612-1396-03 |
| 33                  | 1    | Impeller .....                        | 9612-1318-06 | 9612-1318-06 | 9612-1318-06 | 9612-1318-06 | 9612-1318-06 | 9612-1318-06 |
| 34                  | 1    | O-ring EPDM .....                     | 9611-99-2145 | 9611-99-2145 | 9611-99-2145 | 9611-99-2145 | 9611-99-2145 | 9611-99-2145 |
|                     | 1    | O-ring NBR .....                      | 9611-99-2147 | 9611-99-2147 | 9611-99-2147 | 9611-99-2147 | 9611-99-2147 | 9611-99-2147 |
|                     | 1    | O-ring FPM .....                      | 9611-99-2146 | 9611-99-2146 | 9611-99-2146 | 9611-99-2146 | 9611-99-2146 | 9611-99-2146 |
|                     | 1    | O-ring PTFE .....                     | 9611-99-2148 | 9611-99-2148 | 9611-99-2148 | 9611-99-2148 | 9611-99-2148 | 9611-99-2148 |
| <b>Alternatives</b> |      |                                       |              |              |              |              |              |              |
| 23                  | 1    | Impeller .....                        | 9612-1318-05 | 9612-1318-05 | 9612-1318-05 | 9612-1318-05 | 9612-1318-05 | 9612-1318-05 |
| <b>Legs</b>         |      |                                       |              |              |              |              |              |              |
| 26a                 | 1    | Support bar, right .....              | 31460-1287-2 | 31460-1287-2 | 31460-1287-3 | 31460-1287-3 | 31460-1287-4 | 31460-1287-4 |
| 26b                 | 1    | Support bar, left .....               | 31460-1288-2 | 31460-1288-2 | 31460-1288-3 | 31460-1288-3 | 31460-1288-4 | 31460-1288-4 |
| 27                  | 4    | Leg .....                             | 31460-1018-1 | 31460-1018-1 | 31460-1018-1 | 31460-1018-1 | 31460-1018-1 | 31460-1018-1 |
| 28                  | 4    | Screw .....                           | 9611-99-1907 | 9611-99-1907 | 9611-99-1907 | 9611-99-1907 | 9611-99-1907 | 9611-99-1907 |
| 29                  | 4    | Acorn cap nut .....                   | 221851-11    | 221851-11    | 221851-15    | 221851-15    | 221851-15    | 221851-15    |
| 30                  | 4    | Spring washer .....                   | 223107-21    | 223107-21    | 223107-22    | 223107-22    | 223107-22    | 223107-22    |
| 31                  | 4    | Screw .....                           | 9611-99-1911 | 9611-99-1911 | 9611-99-1834 | 9611-99-1834 | 9611-99-1834 | 9611-99-1834 |
| <b>Accessories</b>  |      |                                       |              |              |              |              |              |              |
| *                   | 1    | Tool compl. ....                      | 9612-1371-01 |              |              |              |              |              |

| Pos.                | Qty. | Denomination                                |              |
|---------------------|------|---|--------------|
|                     |      | Shaft seal compl. EPDM (std.) .....         | 9612-1296-01 |
| 8                   | 1    | Stationary seal ring, stainless steel ..... | 9612-1378-01 |
| 9                   | 1    | O-ring, EPDM .....                          | 9611-99-2149 |
| 10                  | 1    | Spring .....                                | 9612-1376-01 |
| 11                  | 1    | Rotating seal ring, carbon .....            | 9612-1364-01 |
| 12                  | 1    | O-ring, EPDM .....                          | 9611-99-2145 |
|                     |      | Shaft seal compl. NBR .....                 | 9612-1296-02 |
| 8                   | 1    | Stationary seal ring, stainless steel ..... | 9612-1378-01 |
| 9                   | 1    | O-ring, NBR .....                           | 9611-99-2151 |
| 10                  | 1    | Spring .....                                | 9612-1376-01 |
| 11                  | 1    | Rotating seal ring, carbon .....            | 9612-1364-01 |
| 12                  | 1    | O-ring, NBR .....                           | 9611-99-2147 |
|                     |      | Shaft seal compl. FPM .....                 | 9612-1296-03 |
| 8                   | 1    | Stationary seal ring, stainless steel ..... | 9612-1378-01 |
| 9                   | 1    | O-ring, FPM .....                           | 9611-99-2150 |
| 10                  | 1    | Spring .....                                | 9612-1376-01 |
| 11                  | 1    | Rotating seal ring, carbon .....            | 9612-1364-01 |
| 12                  | 1    | O-ring, FPM .....                           | 9611-99-2146 |
|                     |      | Shaft seal compl. PTFE .....                | 9612-1296-04 |
| 8                   | 1    | Stationary seal ring, stainless steel ..... | 9612-1378-01 |
| 9                   | 1    | O-ring, PTFE .....                          | 9611-99-2152 |
| 10                  | 1    | Spring .....                                | 9612-1376-01 |
| 11                  | 1    | Rotating seal ring, carbon .....            | 9612-1364-01 |
| 12                  | 1    | O-ring, PTFE .....                          | 9611-99-2148 |
| <b>Alternatives</b> |      |   |              |
|                     |      | Shaft seal compl. EPDM .....                | 9612-1296-05 |
| 8                   | 1    | Stationary seal ring, sic. .....            | 9612-1379-01 |
| 9                   | 1    | O-ring, EPDM .....                          | 9611-99-2149 |
| 10                  | 1    | Spring .....                                | 9612-1376-01 |
| 11                  | 1    | Rotating seal ring sic. .....               | 9612-1364-02 |
| 12                  | 1    | O-ring, EPDM .....                          | 9611-99-2145 |
|                     |      | Shaft seal compl. NBR .....                 | 9612-1296-06 |
| 8                   | 1    | Stationary seal ring, sic. .....            | 9612-1379-01 |
| 9                   | 1    | O-ring, NBR .....                           | 9611-99-2151 |
| 10                  | 1    | Spring .....                                | 9612-1376-01 |
| 11                  | 1    | Rotating seal ring sic. .....               | 9612-1364-02 |
| 12                  | 1    | O-ring, NBR .....                           | 9611-99-2147 |
|                     |      | Shaft seal compl. FPM .....                 | 9612-1296-07 |
| 8                   | 1    | Stationary seal ring, sic. .....            | 9612-1379-01 |
| 9                   | 1    | O-ring, FPM .....                           | 9611-99-2150 |
| 10                  | 1    | Spring .....                                | 9612-1376-01 |
| 11                  | 1    | Rotating seal ring sic. .....               | 9612-1364-02 |
| 12                  | 1    | O-ring, FPM .....                           | 9611-99-2146 |
|                     |      | Shaft seal compl. PTFE .....                | 9612-1296-08 |
| 8                   | 1    | Stationary seal ring, sic. .....            | 9612-1379-01 |
| 9                   | 1    | O-ring, PTFE .....                          | 9611-99-2152 |
| 10                  | 1    | Spring .....                                | 9612-1376-01 |
| 11                  | 1    | Rotating seal ring sic. .....               | 9612-1364-02 |
|                     | 1    | O-ring, PTFE .....                          | 9611-99-2148 |

\* Not shown

Reg. 2.1 SP70737/13 GH 9011



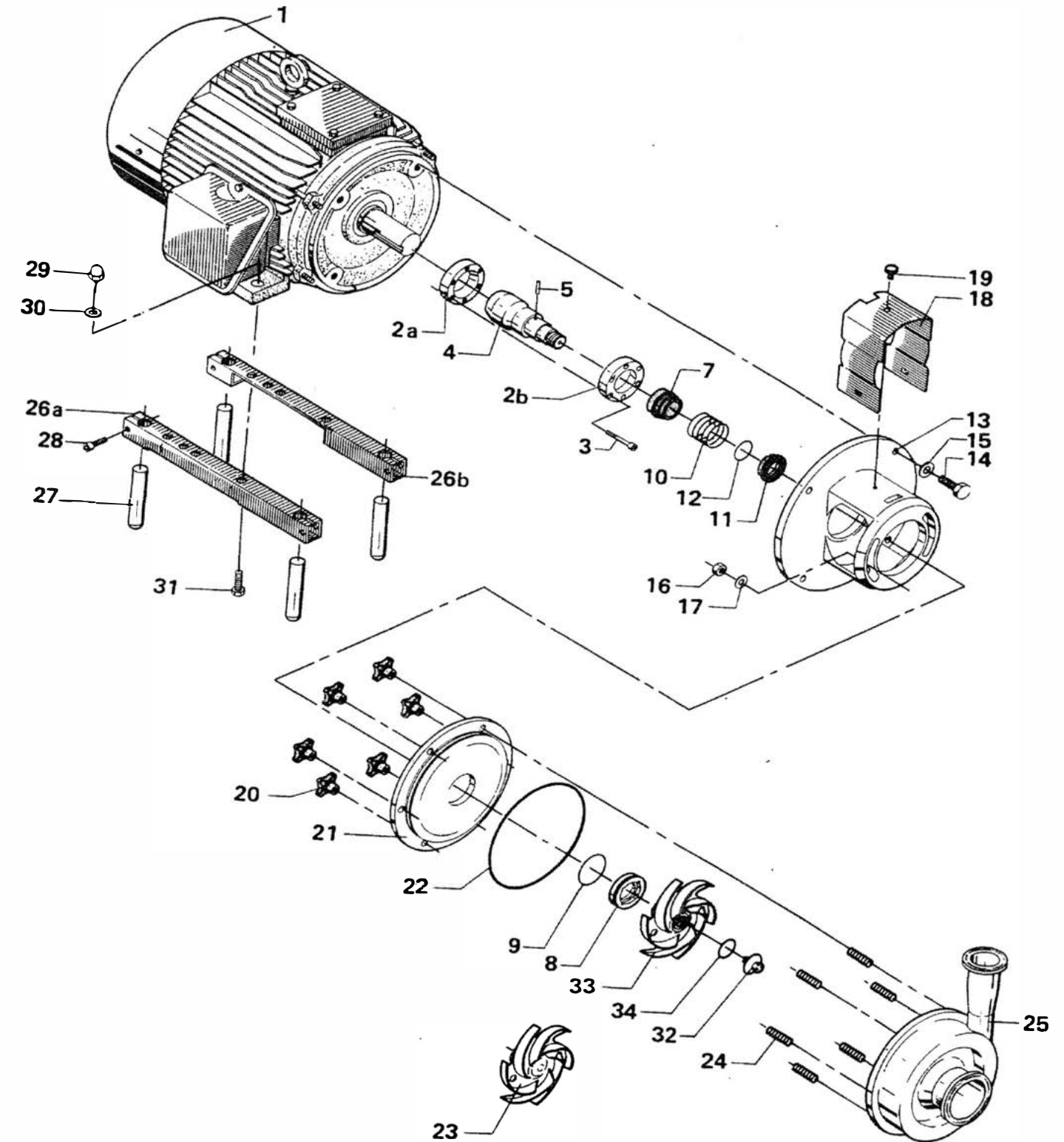
| Pos.                | Qty. | Denomination                          | 7½Hp         | 10 Hp        | 15 Hp        | 20 Hp        | 25 Hp        | 30 Hp        |
|---------------------|------|---------------------------------------|--------------|--------------|--------------|--------------|--------------|--------------|
| 1                   | 1    | Motor .....                           | 213 TC       | 215 TC       | 254 TC       | 256 TC       | 284 TS       | 286 TS       |
| 2a                  | 1    | Compression ring with thread .....    | 9612-1336-06 | 9612-1336-06 | 9612-1336-03 | 9612-1336-03 | 9612-1336-03 | 9612-1336-03 |
| 2b                  | 1    | Compression ring without thread ..... | 9612-1337-06 | 9612-1337-06 | 9612-1337-03 | 9612-1337-03 | 9612-1337-03 | 9612-1337-03 |
| 3                   | 6    | Screw .....                           | 9611-99-2338 | 9611-99-2338 | 9611-99-2338 | 9611-99-2338 | 9611-99-2338 | 9611-99-2338 |
| 4                   | 1    | Shaft, inc. pos. 5 .....              | 9612-1332-02 | 9612-1332-02 | 9612-1333-02 | 9612-1333-02 | 9612-1333-02 | 9612-1333-02 |
| 5                   | 1    | Connex pin .....                      | 9611-99-0622 | 9611-99-0622 | 9611-99-0622 | 9611-99-0622 | 9611-99-0622 | 9611-99-0622 |
| 7                   | 1    | Drive ring .....                      | 9612-1397-01 | 9612-1397-01 | 9612-1397-01 | 9612-1397-01 | 9612-1397-01 | 9612-1397-01 |
| 13                  | 1    | Adaptor .....                         | 9612-1346-01 | 9612-1346-01 | 9612-1347-01 | 9612-1347-01 | 9612-1347-01 | 9612-1347-01 |
| 14                  | 4    | Screw for adaptor .....               | 2210948-34   | 2210948-34   | 2210948-35   | 2210948-35   | 2210948-35   | 2210948-35   |
| 15                  | 4    | Washer for adaptor .....              | 223107-22    | 223107-22    | 223107-22    | 223107-22    | 223107-22    | 223107-22    |
| 16                  | 2    | Nut .....                             | 9611-99-0353 | 9611-99-0353 | 9611-99-0353 | 9611-99-0353 | 9611-99-0353 | 9611-99-0353 |
| 17                  | 2    | Washer .....                          | 9611-99-0786 | 9611-99-0786 | 9611-99-0786 | 9611-99-0786 | 9611-99-0786 | 9611-99-0786 |
| 18                  | 1    | Safety shield .....                   | 9612-1311-10 | 9612-1311-10 | 9612-1311-11 | 9612-1311-11 | 9612-1311-11 | 9612-1311-11 |
| 19                  | 1    | Screw for safety shield .....         | 31460-1309-1 | 31460-1309-1 | 31460-1309-1 | 31460-1309-1 | 31460-1309-1 | 31460-1309-1 |
| 20                  | 6    | Handle .....                          | 9611-99-2303 | 9611-99-2303 | 9611-99-2303 | 9611-99-2303 | 9611-99-2303 | 9611-99-2303 |
| 21                  | 1    | Backplate .....                       | 9612-1384-18 | 9612-1384-18 | 9612-1384-18 | 9612-1384-18 | 9612-1384-18 | 9612-1384-18 |
| 22                  | 1    | Joint ring, EPDM (std.) .....         | 9611-99-2171 | 9611-99-2171 | 9611-99-2171 | 9611-99-2171 | 9611-99-2171 | 9611-99-2171 |
|                     | 1    | Joint ring, NBR .....                 | 9611-99-2173 | 9611-99-2173 | 9611-99-2173 | 9611-99-2173 | 9611-99-2173 | 9611-99-2173 |
|                     | 1    | Joint ring, Viton .....               | 9611-99-2172 | 9611-99-2172 | 9611-99-2172 | 9611-99-2172 | 9611-99-2172 | 9611-99-2172 |
|                     | 1    | Joint ring, Teflon .....              | 9611-99-2174 | 9611-99-2174 | 9611-99-2174 | 9611-99-2174 | 9611-99-2174 | 9611-99-2174 |
| 24                  | 6    | Bolt .....                            | 9611-99-2169 | 9611-99-2169 | 9611-99-2169 | 9611-99-2169 | 9611-99-2169 | 9611-99-2169 |
| 25                  | 1    | Pump casing, GC .....                 | 9612-1291-01 | 9612-1291-01 | 9612-1291-01 | 9612-1291-01 | 9612-1291-01 | 9612-1291-01 |
|                     | 1    | Pump casing, bev. seat .....          | 9612-1291-02 | 9612-1291-02 | 9612-1291-02 | 9612-1291-02 | 9612-1291-02 | 9612-1291-02 |
|                     | 1    | Pump casing, H-line .....             | 9612-1291-03 | 9612-1291-03 | 9612-1291-03 | 9612-1291-03 | 9612-1291-03 | 9612-1291-03 |
|                     | 1    | Pump casing, HDI .....                | 9612-1291-05 | 9612-1291-05 | 9612-1291-05 | 9612-1291-05 | 9612-1291-05 | 9612-1291-05 |
| 32                  | 1    | Impeller screw .....                  | 9612-1396-03 | 9612-1396-03 | 9612-1396-03 | 9612-1396-03 | 9612-1396-03 | 9612-1396-03 |
| 33                  | 1    | Impeller .....                        | 9612-1318-06 | 9612-1318-06 | 9612-1318-06 | 9612-1318-06 | 9612-1318-06 | 9612-1318-06 |
| 34                  | 1    | O-ring EPDM .....                     | 9611-99-2145 | 9611-99-2145 | 9611-99-2145 | 9611-99-2145 | 9611-99-2145 | 9611-99-2145 |
|                     | 1    | O-ring NBR .....                      | 9611-99-2147 | 9611-99-2147 | 9611-99-2147 | 9611-99-2147 | 9611-99-2147 | 9611-99-2147 |
|                     | 1    | O-ring FPM .....                      | 9611-99-2146 | 9611-99-2146 | 9611-99-2146 | 9611-99-2146 | 9611-99-2146 | 9611-99-2146 |
|                     | 1    | O-ring PTFE .....                     | 9611-99-2148 | 9611-99-2148 | 9611-99-2148 | 9611-99-2148 | 9611-99-2148 | 9611-99-2148 |
| 35                  | 1    | Seal housing .....                    | 9612-1339-01 | 9612-1339-01 | 9612-1339-01 | 9612-1339-01 | 9612-1339-01 | 9612-1339-01 |
| 36                  | 2    | Screw for seal housing .....          | 9611-99-0203 | 9611-99-0203 | 9611-99-0203 | 9611-99-0203 | 9611-99-0203 | 9611-99-0203 |
| 37                  | 2    | Pipe .....                            | 31457-0056-1 | 31457-0056-1 | 31457-0056-1 | 31457-0056-1 | 31457-0056-1 | 31457-0056-1 |
| 38                  | 1    | Lip seal .....                        | 31446-0088-2 | 31446-0088-2 | 31446-0088-2 | 31446-0088-2 | 31446-0088-2 | 31446-0088-2 |
| 39                  | 1    | O-ring for seal housing, EPDM .....   | 9611-99-2153 | 9611-99-2153 | 9611-99-2153 | 9611-99-2153 | 9611-99-2153 | 9611-99-2153 |
| 40                  | 1    | O-ring for drive ring, EPDM .....     | 9611-99-2145 | 9611-99-2145 | 9611-99-2145 | 9611-99-2145 | 9611-99-2145 | 9611-99-2145 |
| <b>Alternatives</b> |      |                                       |              |              |              |              |              |              |
| 23                  | 1    | Impeller .....                        | 9612-1318-05 | 9612-1318-05 | 9612-1318-05 | 9612-1318-05 | 9612-1318-05 | 9612-1318-05 |
| <b>Legs</b>         |      |                                       |              |              |              |              |              |              |
| 26a                 | 1    | Support bar, right .....              | 31460-1287-2 | 31460-1287-2 | 31460-1287-3 | 31460-1287-3 | 31460-1287-4 | 31460-1287-4 |
| 26b                 | 1    | Support bar, left .....               | 31460-1288-2 | 31460-1288-2 | 31460-1288-3 | 31460-1288-3 | 31460-1288-4 | 31460-1288-4 |
| 27                  | 4    | Leg .....                             | 31460-1018-1 | 31460-1018-1 | 31460-1018-1 | 31460-1018-1 | 31460-1018-1 | 31460-1018-1 |
| 28                  | 4    | Screw .....                           | 9611-99-1907 | 9611-99-1907 | 9611-99-1907 | 9611-99-1907 | 9611-99-1907 | 9611-99-1907 |
| 29                  | 4    | Acorn cap nut .....                   | 221851-11    | 221851-11    | 221851-15    | 221851-15    | 221851-15    | 221851-15    |
| 30                  | 4    | Spring washer .....                   | 223107-21    | 223107-21    | 223107-22    | 223107-22    | 223107-22    | 223107-22    |
| 31                  | 4    | Screw .....                           | 9611-99-1911 | 9611-99-1911 | 9611-99-1834 | 9611-99-1834 | 9611-99-1834 | 9611-99-1834 |
| <b>Accessories</b>  |      |                                       |              |              |              |              |              |              |
| *                   | 1    | Tool compl. ....                      | 9612-1371-01 |              |              |              |              |              |

| Pos.                | Qty. | Denomination                                |              |
|---------------------|------|---|--------------|
|                     |      | Shaft seal compl. EPDM (std.) .....         | 9612-1296-01 |
| 8                   | 1    | Stationary seal ring, stainless steel ..... | 9612-1378-01 |
| 9                   | 1    | O-ring, EPDM .....                          | 9611-99-2149 |
| 10                  | 1    | Spring .....                                | 9612-1376-01 |
| 11                  | 1    | Rotating seal ring, carbon .....            | 9612-1364-01 |
| 12                  | 1    | O-ring, EPDM .....                          | 9611-99-2145 |
|                     |      | Shaft seal compl. NBR .....                 | 9612-1296-02 |
| 8                   | 1    | Stationary seal ring, stainless steel ..... | 9612-1378-01 |
| 9                   | 1    | O-ring, NBR .....                           | 9611-99-2151 |
| 10                  | 1    | Spring .....                                | 9612-1376-01 |
| 11                  | 1    | Rotating seal ring, carbon .....            | 9612-1364-01 |
| 12                  | 1    | O-ring, NBR .....                           | 9611-99-2147 |
|                     |      | Shaft seal compl. FPM .....                 | 9612-1296-03 |
| 8                   | 1    | Stationary seal ring, stainless steel ..... | 9612-1378-01 |
| 9                   | 1    | O-ring, FPM .....                           | 9611-99-2150 |
| 10                  | 1    | Spring .....                                | 9612-1376-01 |
| 11                  | 1    | Rotating seal ring, carbon .....            | 9612-1364-01 |
| 12                  | 1    | O-ring, FPM .....                           | 9611-99-2146 |
|                     |      | Shaft seal compl. PTFE .....                | 9612-1296-04 |
| 8                   | 1    | Stationary seal ring, stainless steel ..... | 9612-1378-01 |
| 9                   | 1    | O-ring, PTFE .....                          | 9611-99-2152 |
| 10                  | 1    | Spring .....                                | 9612-1376-01 |
| 11                  | 1    | Rotating seal ring, carbon .....            | 9612-1364-01 |
| 12                  | 1    | O-ring, PTFE .....                          | 9611-99-2148 |
| <b>Alternatives</b> |      |   |              |
|                     |      | Shaft seal compl. EPDM .....                | 9612-1296-05 |
| 8                   | 1    | Stationary seal ring, sic. ....             | 9612-1379-01 |
| 9                   | 1    | O-ring, EPDM .....                          | 9611-99-2149 |
| 10                  | 1    | Spring .....                                | 9612-1376-01 |
| 11                  | 1    | Rotating seal ring sic. ....                | 9612-1364-02 |
| 12                  | 1    | O-ring, EPDM .....                          | 9611-99-2145 |
|                     |      | Shaft seal compl. NBR .....                 | 9612-1296-06 |
| 8                   | 1    | Stationary seal ring, sic. ....             | 9612-1379-01 |
| 9                   | 1    | O-ring, NBR .....                           | 9611-99-2151 |
| 10                  | 1    | Spring .....                                | 9612-1376-01 |
| 11                  | 1    | Rotating seal ring sic. ....                | 9612-1364-02 |
| 12                  | 1    | O-ring, NBR .....                           | 9611-99-2147 |
|                     |      | Shaft seal compl. FPM .....                 | 9612-1296-07 |
| 8                   | 1    | Stationary seal ring, sic. ....             | 9612-1379-01 |
| 9                   | 1    | O-ring, FPM .....                           | 9611-99-2150 |
| 10                  | 1    | Spring .....                                | 9612-1376-01 |
| 11                  | 1    | Rotating seal ring sic. ....                | 9612-1364-02 |
| 12                  | 1    | O-ring, FPM .....                           | 9611-99-2146 |
|                     |      | Shaft seal compl. PTFE .....                | 9612-1296-08 |
| 8                   | 1    | Stationary seal ring, sic. ....             | 9612-1379-01 |
| 9                   | 1    | O-ring, PTFE .....                          | 9611-99-2152 |
| 10                  | 1    | Spring .....                                | 9612-1376-01 |
| 11                  | 1    | Rotating seal ring sic. ....                | 9612-1364-02 |
| 12                  | 1    | O-ring, PTFE .....                          | 9611-99-2148 |

\* Not shown

Conversion kit single to double shaft seal: 9611-92-2042

Reg. 2.1 SP70737/14 GH 9011

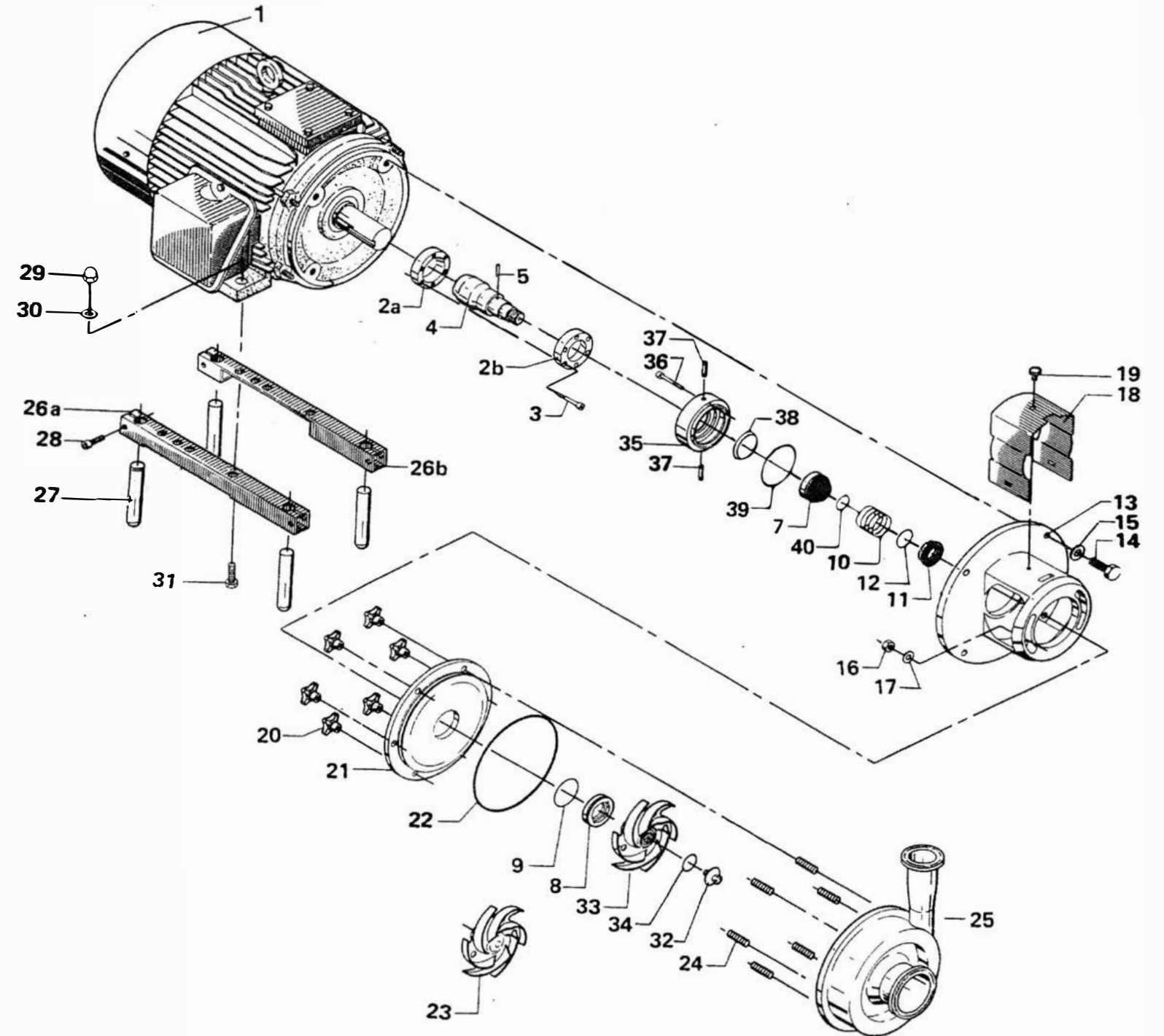




| Pos.                | Qty. | Denomination                          | 7½ Hp        | 10 Hp        | 15 Hp        | 20 Hp        | 25 Hp        | 30 Hp        |
|---------------------|------|---------------------------------------|--------------|--------------|--------------|--------------|--------------|--------------|
| 1                   | 1    | Motor .....                           | 213 TC       | 215 TC       | 254 TC       | 256 TC       | 284 TS       | 286 TS       |
| 2a                  | 1    | Compression ring with thread .....    | 9612-1336-06 | 9612-1336-06 | 9612-1336-03 | 9612-1336-03 | 9612-1336-03 | 9612-1336-03 |
| 2b                  | 1    | Compression ring without thread ..... | 9612-1337-06 | 9612-1337-06 | 9612-1337-03 | 9612-1337-03 | 9612-1337-03 | 9612-1337-03 |
| 3                   | 6    | Screw .....                           | 9611-99-2338 | 9611-99-2338 | 9611-99-2338 | 9611-99-2338 | 9611-99-2338 | 9611-99-2338 |
| 4                   | 1    | Shaft, inc. pos. 5 .....              | 9612-1332-02 | 9612-1332-02 | 9612-1333-02 | 9612-1333-02 | 9612-1333-02 | 9612-1333-02 |
| 5                   | 1    | Connex pin .....                      | 9611-99-0622 | 9611-99-0622 | 9611-99-0622 | 9611-99-0622 | 9611-99-0622 | 9611-99-0622 |
| 7                   | 1    | Drive ring .....                      | 9612-1377-01 | 9612-1377-01 | 9612-1377-01 | 9612-1377-01 | 9612-1377-01 | 9612-1377-01 |
| 13                  | 1    | Adaptor .....                         | 9612-1346-01 | 9612-1346-01 | 9612-1347-01 | 9612-1347-01 | 9612-1347-01 | 9612-1347-01 |
| 14                  | 4    | Screw for adaptor .....               | 2210948-34   | 2210948-34   | 2210948-35   | 2210948-35   | 2210948-35   | 2210948-35   |
| 15                  | 4    | Washer for adaptor .....              | 223107-22    | 223107-22    | 223107-22    | 223107-22    | 223107-22    | 223107-22    |
| 16                  | 2    | Nut .....                             | 9611-99-0353 | 9611-99-0353 | 9611-99-0353 | 9611-99-0353 | 9611-99-0353 | 9611-99-0353 |
| 17                  | 2    | Washer .....                          | 9611-99-0786 | 9611-99-0786 | 9611-99-0786 | 9611-99-0786 | 9611-99-0786 | 9611-99-0786 |
| 18                  | 1    | Safety shield .....                   | 9612-1311-07 | 9612-1311-07 | 9612-1311-08 | 9612-1311-08 | 9612-1311-08 | 9612-1311-08 |
| 19                  | 1    | Screw for safety shield .....         | 31460-1309-1 | 31460-1309-1 | 31460-1309-1 | 31460-1309-1 | 31460-1309-1 | 31460-1309-1 |
| 20                  | 6    | Handle .....                          | 9611-99-2303 | 9611-99-2303 | 9611-99-2303 | 9611-99-2303 | 9611-99-2303 | 9611-99-2303 |
| 21                  | 1    | Backplate .....                       | 9612-1384-06 | 9612-1384-06 | 9612-1384-06 | 9612-1384-06 | 9612-1384-06 | 9612-1384-06 |
| 22                  | 1    | Joint ring, EPDM (std.) .....         | 9611-99-2171 | 9611-99-2171 | 9611-99-2171 | 9611-99-2171 | 9611-99-2171 | 9611-99-2171 |
|                     | 1    | Joint ring, NBR .....                 | 9611-99-2173 | 9611-99-2173 | 9611-99-2173 | 9611-99-2173 | 9611-99-2173 | 9611-99-2173 |
|                     | 1    | Joint ring, FPM .....                 | 9611-99-2172 | 9611-99-2172 | 9611-99-2172 | 9611-99-2172 | 9611-99-2172 | 9611-99-2172 |
|                     | 1    | Joint ring, PTFE .....                | 9611-99-2174 | 9611-99-2174 | 9611-99-2174 | 9611-99-2174 | 9611-99-2174 | 9611-99-2174 |
| 24                  | 6    | Bolt .....                            | 9611-99-2169 | 9611-99-2169 | 9611-99-2169 | 9611-99-2169 | 9611-99-2169 | 9611-99-2169 |
| 25                  | 1    | Pump casing, GC .....                 | 9612-1291-06 | 9612-1291-06 | 9612-1291-06 | 9612-1291-06 | 9612-1291-06 | 9612-1291-06 |
|                     | 1    | Pump casing, bev. seat .....          | 9612-1291-07 | 9612-1291-07 | 9612-1291-07 | 9612-1291-07 | 9612-1291-07 | 9612-1291-07 |
|                     | 1    | Pump casing, H-line .....             | 9612-1291-08 | 9612-1291-08 | 9612-1291-08 | 9612-1291-08 | 9612-1291-08 | 9612-1291-08 |
|                     | 1    | Pump casing, HDI .....                | 9612-1291-10 | 9612-1291-10 | 9612-1291-10 | 9612-1291-10 | 9612-1291-10 | 9612-1291-10 |
|                     | 1    | Pump casing, NPT .....                | 9612-1291-11 | 9612-1291-11 | 9612-1291-11 | 9612-1291-11 | 9612-1291-11 | 9612-1291-11 |
| 32                  | 1    | Impeller screw .....                  | 9612-1396-01 | 9612-1396-01 | 9612-1396-01 | 9612-1396-01 | 9612-1396-01 | 9612-1396-01 |
| 33                  | 1    | Impeller .....                        | 9612-1318-02 | 9612-1318-02 | 9612-1318-02 | 9612-1318-02 | 9612-1318-02 | 9612-1318-02 |
| 34                  | 1    | O-ring EPDM .....                     | 9611-99-2145 | 9611-99-2145 | 9611-99-2145 | 9611-99-2145 | 9611-99-2145 | 9611-99-2145 |
|                     | 1    | O-ring NBR .....                      | 9611-99-2147 | 9611-99-2147 | 9611-99-2147 | 9611-99-2147 | 9611-99-2147 | 9611-99-2147 |
|                     | 1    | O-ring FPM .....                      | 9611-99-2146 | 9611-99-2146 | 9611-99-2146 | 9611-99-2146 | 9611-99-2146 | 9611-99-2146 |
|                     | 1    | O-ring PTFE .....                     | 9611-99-2148 | 9611-99-2148 | 9611-99-2148 | 9611-99-2148 | 9611-99-2148 | 9611-99-2148 |
| <b>Alternatives</b> |      |                                       |              |              |              |              |              |              |
| 23                  | 1    | Impeller .....                        | 9612-1318-01 | 9612-1318-01 | 9612-1318-01 | 9612-1318-01 | 9612-1318-01 | 9612-1318-01 |
| <b>Legs</b>         |      |                                       |              |              |              |              |              |              |
| 26a                 | 1    | Support bar, right .....              | 31460-1287-2 | 31460-1287-2 | 31460-1287-3 | 31460-1287-3 | 31460-1287-4 | 31460-1287-4 |
| 26b                 | 1    | Support bar, left .....               | 31460-1288-2 | 31460-1288-2 | 31460-1288-3 | 31460-1288-3 | 31460-1288-4 | 31460-1288-4 |
| 27                  | 4    | Leg .....                             | 31460-1018-1 | 31460-1018-1 | 31460-1018-1 | 31460-1018-1 | 31460-1018-1 | 31460-1018-1 |
| 28                  | 4    | Screw .....                           | 9611-99-1907 | 9611-99-1907 | 9611-99-1907 | 9611-99-1907 | 9611-99-1907 | 9611-99-1907 |
| 29                  | 4    | Acorn cap nut .....                   | 221851-11    | 221851-11    | 221851-15    | 221851-15    | 221851-15    | 221851-15    |
| 30                  | 4    | Spring washer .....                   | 223107-21    | 223107-21    | 223107-22    | 223107-22    | 223107-22    | 223107-22    |
| 31                  | 4    | Screw .....                           | 9611-99-1911 | 9611-99-1911 | 9611-99-1834 | 9611-99-1834 | 9611-99-1834 | 9611-99-1834 |
| <b>Accessories</b>  |      |                                       |              |              |              |              |              |              |
| *                   | 1    | Tool compl. ....                      | 9612-1371-01 |              |              |              |              |              |

| Pos.                | Qty. | Denomination                        |              |
|---------------------|------|-------------------------------------|--------------|
|                     |      | Shaft seal compl. EPDM (std.) ..... | 9612-1296-01 |
| 8                   | 1    | Stationary seal ring, .....         | 9612-1378-01 |
|                     |      | stainless steel                     |              |
| 9                   | 1    | O-ring, EPDM .....                  | 9611-99-2149 |
| 10                  | 1    | Spring .....                        | 9612-1376-01 |
| 11                  | 1    | Rotating seal ring, carbon .....    | 9612-1364-01 |
| 12                  | 1    | O-ring, EPDM .....                  | 9611-99-2145 |
|                     |      | Shaft seal compl. NBR .....         | 9612-1296-02 |
| 8                   | 1    | Stationary seal ring, .....         | 9612-1378-01 |
|                     |      | stainless steel                     |              |
| 9                   | 1    | O-ring, NBR .....                   | 9611-99-2151 |
| 10                  | 1    | Spring .....                        | 9612-1376-01 |
| 11                  | 1    | Rotating seal ring, carbon .....    | 9612-1364-01 |
| 12                  | 1    | O-ring, NBR .....                   | 9611-99-2147 |
|                     |      | Shaft seal compl. FPM .....         | 9612-1296-03 |
| 8                   | 1    | Stationary seal ring, .....         | 9612-1378-01 |
|                     |      | stainless steel                     |              |
| 9                   | 1    | O-ring, FPM .....                   | 9611-99-2150 |
| 10                  | 1    | Spring .....                        | 9612-1376-01 |
| 11                  | 1    | Rotating seal ring, carbon .....    | 9612-1364-01 |
| 12                  | 1    | O-ring, FPM .....                   | 9611-99-2146 |
|                     |      | Shaft seal compl. PTFE .....        | 9612-1296-04 |
| 8                   | 1    | Stationary seal ring, .....         | 9612-1378-01 |
|                     |      | stainless steel                     |              |
| 9                   | 1    | O-ring, PTFE .....                  | 9611-99-2152 |
| 10                  | 1    | Spring .....                        | 9612-1376-01 |
| 11                  | 1    | Rotating seal ring, carbon .....    | 9612-1364-01 |
| 12                  | 1    | O-ring, PTFE .....                  | 9611-99-2148 |
| <b>Alternatives</b> |      |                                     |              |
|                     |      | Shaft seal compl. EPDM .....        | 9612-1296-05 |
| 8                   | 1    | Stationary seal ring, sic. ....     | 9612-1379-01 |
| 9                   | 1    | O-ring, EPDM .....                  | 9611-99-2149 |
| 10                  | 1    | Spring .....                        | 9612-1376-01 |
| 11                  | 1    | Rotating seal ring sic. ....        | 9612-1364-02 |
| 12                  | 1    | O-ring, EPDM .....                  | 9611-99-2145 |
|                     |      | Shaft seal compl. NBR .....         | 9612-1296-06 |
| 8                   | 1    | Stationary seal ring, sic. ....     | 9612-1379-01 |
| 9                   | 1    | O-ring, NBR .....                   | 9611-99-2151 |
| 10                  | 1    | Spring .....                        | 9612-1376-01 |
| 11                  | 1    | Rotating seal ring sic. ....        | 9612-1364-02 |
| 12                  | 1    | O-ring, NBR .....                   | 9611-99-2147 |
|                     |      | Shaft seal compl. FPM .....         | 9612-1296-07 |
| 8                   | 1    | Stationary seal ring, sic. ....     | 9612-1379-01 |
| 9                   | 1    | O-ring, FPM .....                   | 9611-99-2150 |
| 10                  | 1    | Spring .....                        | 9612-1376-01 |
| 11                  | 1    | Rotating seal ring sic. ....        | 9612-1364-02 |
| 12                  | 1    | O-ring, FPM .....                   | 9611-99-2146 |
|                     |      | Shaft seal compl. PTFE .....        | 9612-1296-08 |
| 8                   | 1    | Stationary seal ring, sic. ....     | 9612-1379-01 |
| 9                   | 1    | O-ring, PTFE .....                  | 9611-99-2152 |
| 10                  | 1    | Spring .....                        | 9612-1376-01 |
| 11                  | 1    | Rotating seal ring sic. ....        | 9612-1364-02 |
| 12                  | 1    | O-ring, PTFE .....                  | 9611-99-2148 |

\* Not shown



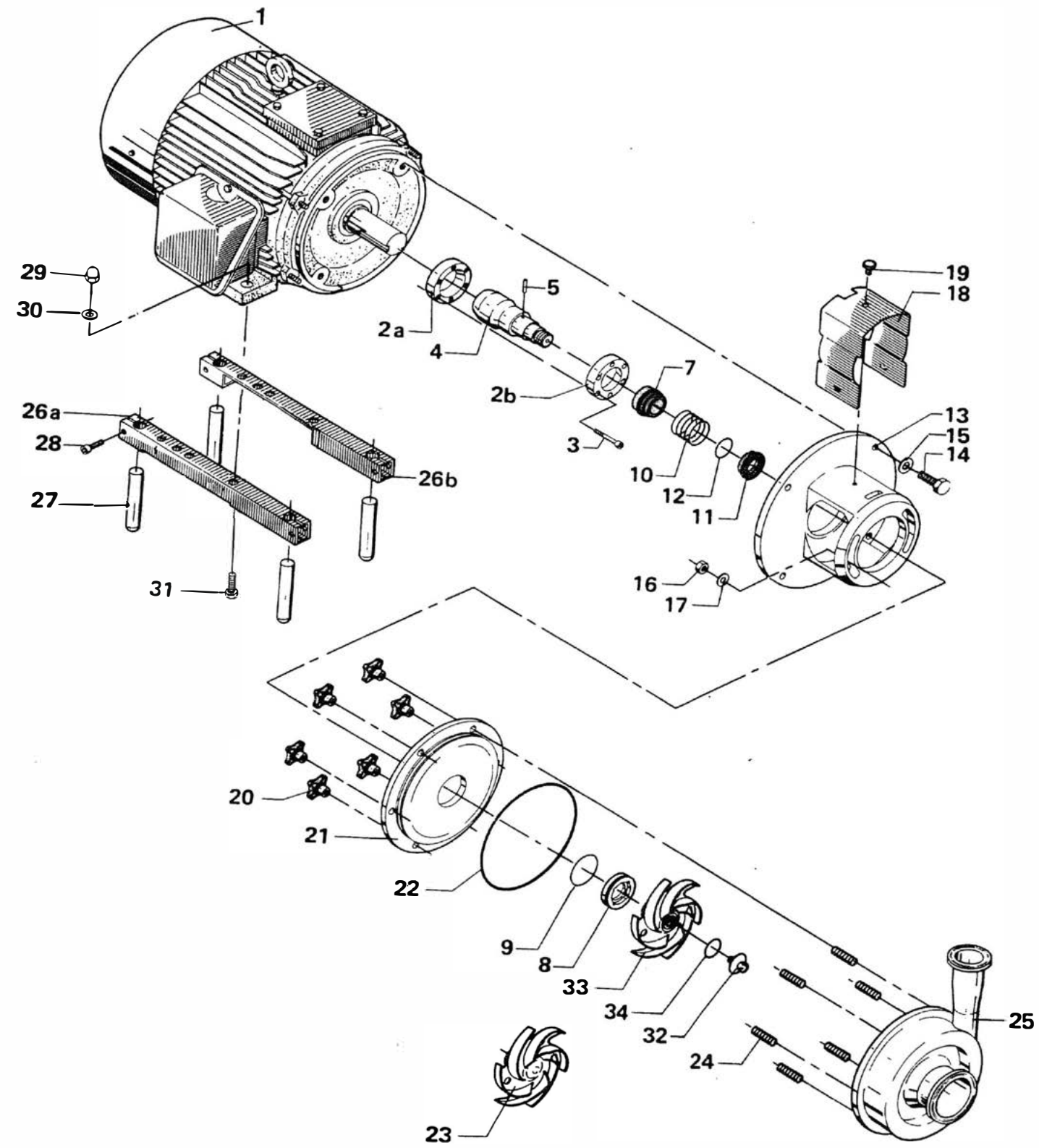
| Pos.                | Qty. | Denomination                          | 7½Hp         | 10 Hp        | 15 Hp        | 20 Hp        | 25 Hp        | 30 Hp        |
|---------------------|------|---------------------------------------|--------------|--------------|--------------|--------------|--------------|--------------|
| 1                   | 1    | Motor .....                           | 213 TC       | 215 TC       | 254 TC       | 256 TC       | 284 TS       | 286 TS       |
| 2a                  | 1    | Compression ring with thread .....    | 9612-1336-06 | 9612-1336-06 | 9612-1336-03 | 9612-1336-03 | 9612-1336-03 | 9612-1336-03 |
| 2b                  | 1    | Compression ring without thread ..... | 9612-1337-06 | 9612-1337-06 | 9612-1337-03 | 9612-1337-03 | 9612-1337-03 | 9612-1337-03 |
| 3                   | 6    | Screw .....                           | 9611-99-2338 | 9611-99-2338 | 9611-99-2338 | 9611-99-2338 | 9611-99-2338 | 9611-99-2338 |
| 4                   | 1    | Shaft, inc. pos. 5 .....              | 9612-1332-02 | 9612-1332-02 | 9612-1333-02 | 9612-1333-02 | 9612-1333-02 | 9612-1333-02 |
| 5                   | 1    | Connex pin .....                      | 9611-99-0622 | 9611-99-0622 | 9611-99-0622 | 9611-99-0622 | 9611-99-0622 | 9611-99-0622 |
| 7                   | 1    | Drive ring .....                      | 9612-1397-01 | 9612-1397-01 | 9612-1397-01 | 9612-1397-01 | 9612-1397-01 | 9612-1397-01 |
| 13                  | 1    | Adaptor .....                         | 9612-1346-01 | 9612-1346-01 | 9612-1347-01 | 9612-1347-01 | 9612-1347-01 | 9612-1347-01 |
| 14                  | 4    | Screw for adaptor .....               | 2210948-34   | 2210948-34   | 2210948-35   | 2210948-35   | 2210948-35   | 2210948-35   |
| 15                  | 4    | Washer for adaptor .....              | 223107-22    | 223107-22    | 223107-22    | 223107-22    | 223107-22    | 223107-22    |
| 16                  | 2    | Nut .....                             | 9611-99-0353 | 9611-99-0353 | 9611-99-0353 | 9611-99-0353 | 9611-99-0353 | 9611-99-0353 |
| 17                  | 2    | Washer .....                          | 9611-99-0786 | 9611-99-0786 | 9611-99-0786 | 9611-99-0786 | 9611-99-0786 | 9611-99-0786 |
| 18                  | 1    | Safety shield .....                   | 9612-1311-07 | 9612-1311-07 | 9612-1311-08 | 9612-1311-08 | 9612-1311-08 | 9612-1311-08 |
| 19                  | 1    | Screw for safety shield .....         | 31460-1309-1 | 31460-1309-1 | 31460-1309-1 | 31460-1309-1 | 31460-1309-1 | 31460-1309-1 |
| 20                  | 6    | Handle .....                          | 9611-99-2303 | 9611-99-2303 | 9611-99-2303 | 9611-99-2303 | 9611-99-2303 | 9611-99-2303 |
| 21                  | 1    | Backplate .....                       | 9612-1384-06 | 9612-1384-06 | 9612-1384-06 | 9612-1384-06 | 9612-1384-06 | 9612-1384-06 |
| 22                  | 1    | Joint ring, EPDM (std.) .....         | 9611-99-2171 | 9611-99-2171 | 9611-99-2171 | 9611-99-2171 | 9611-99-2171 | 9611-99-2171 |
|                     | 1    | Joint ring, NBR .....                 | 9611-99-2173 | 9611-99-2173 | 9611-99-2173 | 9611-99-2173 | 9611-99-2173 | 9611-99-2173 |
|                     | 1    | Joint ring, Viton .....               | 9611-99-2172 | 9611-99-2172 | 9611-99-2172 | 9611-99-2172 | 9611-99-2172 | 9611-99-2172 |
|                     | 1    | Joint ring, Teflon .....              | 9611-99-2174 | 9611-99-2174 | 9611-99-2174 | 9611-99-2174 | 9611-99-2174 | 9611-99-2174 |
| 24                  | 6    | Bolt .....                            | 9611-99-2169 | 9611-99-2169 | 9611-99-2169 | 9611-99-2169 | 9611-99-2169 | 9611-99-2169 |
| 25                  | 1    | Pump casing, GC .....                 | 9612-1291-06 | 9612-1291-06 | 9612-1291-06 | 9612-1291-06 | 9612-1291-06 | 9612-1291-06 |
|                     | 1    | Pump casing, bev. seat .....          | 9612-1291-07 | 9612-1291-07 | 9612-1291-07 | 9612-1291-07 | 9612-1291-07 | 9612-1291-07 |
|                     | 1    | Pump casing, H-line .....             | 9612-1291-08 | 9612-1291-08 | 9612-1291-08 | 9612-1291-08 | 9612-1291-08 | 9612-1291-08 |
|                     | 1    | Pump casing, HDI .....                | 9612-1291-10 | 9612-1291-10 | 9612-1291-10 | 9612-1291-10 | 9612-1291-10 | 9612-1291-10 |
|                     | 1    | Pump casing, NPT .....                | 9612-1291-11 | 9612-1291-11 | 9612-1291-11 | 9612-1291-11 | 9612-1291-11 | 9612-1291-11 |
| 32                  | 1    | Impeller screw .....                  | 9612-1396-01 | 9612-1396-01 | 9612-1396-01 | 9612-1396-01 | 9612-1396-01 | 9612-1396-01 |
| 33                  | 1    | Impeller .....                        | 9612-1318-02 | 9612-1318-02 | 9612-1318-02 | 9612-1318-02 | 9612-1318-02 | 9612-1318-02 |
| 34                  | 1    | O-ring EPDM .....                     | 9611-99-2145 | 9611-99-2145 | 9611-99-2145 | 9611-99-2145 | 9611-99-2145 | 9611-99-2145 |
|                     | 1    | O-ring NBR .....                      | 9611-99-2147 | 9611-99-2147 | 9611-99-2147 | 9611-99-2147 | 9611-99-2147 | 9611-99-2147 |
|                     | 1    | O-ring FPM .....                      | 9611-99-2146 | 9611-99-2146 | 9611-99-2146 | 9611-99-2146 | 9611-99-2146 | 9611-99-2146 |
|                     | 1    | O-ring PTFE .....                     | 9611-99-2148 | 9611-99-2148 | 9611-99-2148 | 9611-99-2148 | 9611-99-2148 | 9611-99-2148 |
| 35                  | 1    | Seal housing .....                    | 9612-1339-01 | 9612-1339-01 | 9612-1339-01 | 9612-1339-01 | 9612-1339-01 | 9612-1339-01 |
| 36                  | 2    | Screw for seal housing .....          | 9611-99-0203 | 9611-99-0203 | 9611-99-0203 | 9611-99-0203 | 9611-99-0203 | 9611-99-0203 |
| 37                  | 2    | Pipe .....                            | 31457-0056-1 | 31457-0056-1 | 31457-0056-1 | 31457-0056-1 | 31457-0056-1 | 31457-0056-1 |
| 38                  | 1    | Lip seal .....                        | 31446-0088-2 | 31446-0088-2 | 31446-0088-2 | 31446-0088-2 | 31446-0088-2 | 31446-0088-2 |
| 39                  | 1    | O-ring for seal housing, EPDM .....   | 9611-99-2153 | 9611-99-2153 | 9611-99-2153 | 9611-99-2153 | 9611-99-2153 | 9611-99-2153 |
| 40                  | 1    | O-ring for drive ring, EPDM .....     | 9611-99-2145 | 9611-99-2145 | 9611-99-2145 | 9611-99-2145 | 9611-99-2145 | 9611-99-2145 |
| <b>Alternatives</b> |      |                                       |              |              |              |              |              |              |
| 23                  | 1    | Impeller .....                        | 9612-1318-01 | 9612-1318-01 | 9612-1318-01 | 9612-1318-01 | 9612-1318-01 | 9612-1318-01 |
| <b>Legs</b>         |      |                                       |              |              |              |              |              |              |
| 26a                 | 1    | Support bar, right .....              | 31460-1287-2 | 31460-1287-2 | 31460-1287-3 | 31460-1287-3 | 31460-1287-4 | 31460-1287-4 |
| 26b                 | 1    | Support bar, left .....               | 31460-1288-2 | 31460-1288-2 | 31460-1288-3 | 31460-1288-3 | 31460-1288-4 | 31460-1288-4 |
| 27                  | 4    | Leg .....                             | 31460-1018-1 | 31460-1018-1 | 31460-1018-1 | 31460-1018-1 | 31460-1018-1 | 31460-1018-1 |
| 28                  | 4    | Screw .....                           | 9611-99-1907 | 9611-99-1907 | 9611-99-1907 | 9611-99-1907 | 9611-99-1907 | 9611-99-1907 |
| 29                  | 4    | Acorn cap nut .....                   | 221851-11    | 221851-11    | 221851-15    | 221851-15    | 221851-15    | 221851-15    |
| 30                  | 4    | Spring washer .....                   | 223107-21    | 223107-21    | 223107-22    | 223107-22    | 223107-22    | 223107-22    |
| 31                  | 4    | Screw .....                           | 9611-99-1911 | 9611-99-1911 | 9611-99-1834 | 9611-99-1834 | 9611-99-1834 | 9611-99-1834 |
| <b>Accessories</b>  |      |                                       |              |              |              |              |              |              |
| *                   | 1    | Tool compl. ....                      | 9612-1371-01 |              |              |              |              |              |

| Pos.                | Qty. | Denomination                                |              |
|---------------------|------|---|--------------|
|                     |      | Shaft seal compl. EPDM (std.) .....         | 9612-1296-01 |
| 8                   | 1    | Stationary seal ring, stainless steel ..... | 9612-1378-01 |
| 9                   | 1    | O-ring, EPDM .....                          | 9611-99-2149 |
| 10                  | 1    | Spring .....                                | 9612-1376-01 |
| 11                  | 1    | Rotating seal ring, carbon .....            | 9612-1364-01 |
| 12                  | 1    | O-ring, EPDM .....                          | 9611-99-2145 |
|                     |      | Shaft seal compl. NBR .....                 | 9612-1296-02 |
| 8                   | 1    | Stationary seal ring, stainless steel ..... | 9612-1378-01 |
| 9                   | 1    | O-ring, NBR .....                           | 9611-99-2151 |
| 10                  | 1    | Spring .....                                | 9612-1376-01 |
| 11                  | 1    | Rotating seal ring, carbon .....            | 9612-1364-01 |
| 12                  | 1    | O-ring, NBR .....                           | 9611-99-2147 |
|                     |      | Shaft seal compl. FPM .....                 | 9612-1296-03 |
| 8                   | 1    | Stationary seal ring, stainless steel ..... | 9612-1378-01 |
| 9                   | 1    | O-ring, FPM .....                           | 9611-99-2150 |
| 10                  | 1    | Spring .....                                | 9612-1376-01 |
| 11                  | 1    | Rotating seal ring, carbon .....            | 9612-1364-01 |
| 12                  | 1    | O-ring, FPM .....                           | 9611-99-2146 |
|                     |      | Shaft seal compl. PTFE .....                | 9612-1296-04 |
| 8                   | 1    | Stationary seal ring, stainless steel ..... | 9612-1378-01 |
| 9                   | 1    | O-ring, PTFE .....                          | 9611-99-2152 |
| 10                  | 1    | Spring .....                                | 9612-1376-01 |
| 11                  | 1    | Rotating seal ring, carbon .....            | 9612-1364-01 |
| 12                  | 1    | O-ring, PTFE .....                          | 9611-99-2148 |
| <b>Alternatives</b> |      |   |              |
|                     |      | Shaft seal compl. EPDM .....                | 9612-1296-05 |
| 8                   | 1    | Stationary seal ring, sic. ....             | 9612-1379-01 |
| 9                   | 1    | O-ring, EPDM .....                          | 9611-99-2149 |
| 10                  | 1    | Spring .....                                | 9612-1376-01 |
| 11                  | 1    | Rotating seal ring sic. ....                | 9612-1364-02 |
| 12                  | 1    | O-ring, EPDM .....                          | 9611-99-2145 |
|                     |      | Shaft seal compl. NBR .....                 | 9612-1296-06 |
| 8                   | 1    | Stationary seal ring, sic. ....             | 9612-1379-01 |
| 9                   | 1    | O-ring, NBR .....                           | 9611-99-2151 |
| 10                  | 1    | Spring .....                                | 9612-1376-01 |
| 11                  | 1    | Rotating seal ring sic. ....                | 9612-1364-02 |
| 12                  | 1    | O-ring, NBR .....                           | 9611-99-2147 |
|                     |      | Shaft seal compl. FPM .....                 | 9612-1296-07 |
| 8                   | 1    | Stationary seal ring, sic. ....             | 9612-1379-01 |
| 9                   | 1    | O-ring, FPM .....                           | 9611-99-2150 |
| 10                  | 1    | Spring .....                                | 9612-1376-01 |
| 11                  | 1    | Rotating seal ring sic. ....                | 9612-1364-02 |
| 12                  | 1    | O-ring, FPM .....                           | 9611-99-2146 |
|                     |      | Shaft seal compl. PTFE .....                | 9612-1296-08 |
| 8                   | 1    | Stationary seal ring, sic. ....             | 9612-1379-01 |
| 9                   | 1    | O-ring, PTFE .....                          | 9611-99-2152 |
| 10                  | 1    | Spring .....                                | 9612-1376-01 |
| 11                  | 1    | Rotating seal ring sic. ....                | 9612-1364-02 |
| 12                  | 1    | O-ring, PTFE .....                          | 9611-99-2148 |

\* Not shown

Conversion kit single to double shaft seal: 9611-92-2042

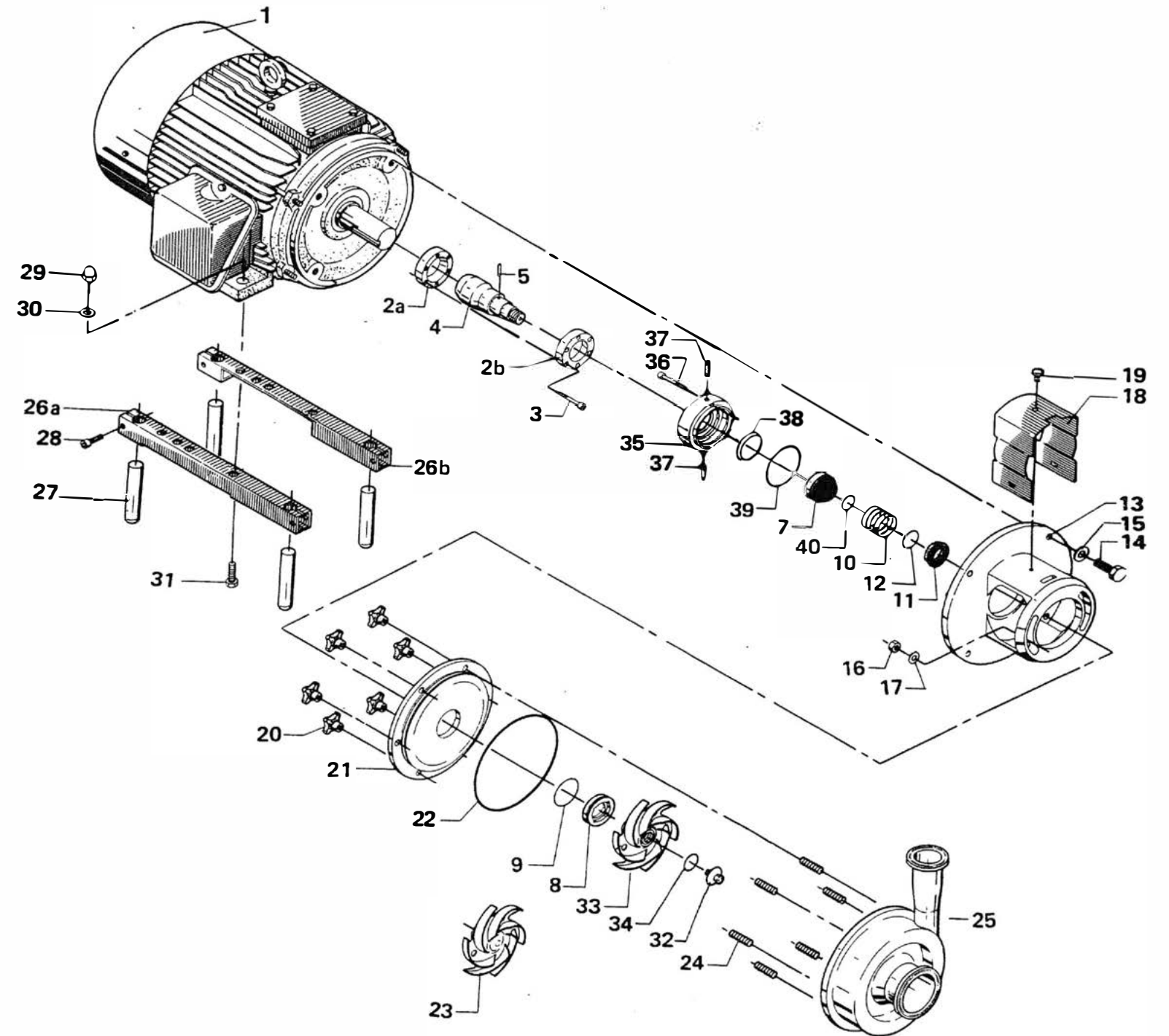
Reg. 2.1 SP70737/16 GH 9011



| Pos.                | Qty. | Denomination                          | 7½Hp         | 10 Hp        | 15 Hp        | 20 Hp        | 25 Hp        | 30 Hp        |
|---------------------|------|---------------------------------------|--------------|--------------|--------------|--------------|--------------|--------------|
| 1                   | 1    | Motor .....                           | 213 TC       | 215 TC       | 254 TC       | 256 TC       | 284 TS       | 286 TS       |
| 2a                  | 1    | Compression ring with thread .....    | 9612-1336-06 | 9612-1336-06 | 9612-1336-03 | 9612-1336-03 | 9612-1336-03 | 9612-1336-03 |
| 2b                  | 1    | Compression ring without thread ..... | 9612-1337-06 | 9612-1337-06 | 9612-1337-03 | 9612-1337-03 | 9612-1337-03 | 9612-1337-03 |
| 3                   | 6    | Screw .....                           | 9611-99-2338 | 9611-99-2338 | 9611-99-2338 | 9611-99-2338 | 9611-99-2338 | 9611-99-2338 |
| 4                   | 1    | Shaft, inc. pos. 5 .....              | 9612-1332-02 | 9612-1332-02 | 9612-1333-02 | 9612-1333-02 | 9612-1333-02 | 9612-1333-02 |
| 5                   | 1    | Connex pin .....                      | 9611-99-0622 | 9611-99-0622 | 9611-99-0622 | 9611-99-0622 | 9611-99-0622 | 9611-99-0622 |
| 7                   | 1    | Drive ring .....                      | 9612-1377-01 | 9612-1377-01 | 9612-1377-01 | 9612-1377-01 | 9612-1377-01 | 9612-1377-01 |
| 13                  | 1    | Adaptor .....                         | 9612-1346-01 | 9612-1346-01 | 9612-1347-01 | 9612-1347-01 | 9612-1347-01 | 9612-1347-01 |
| 14                  | 4    | Screw for adaptor .....               | 2210948-34   | 2210948-34   | 2210948-35   | 2210948-35   | 2210948-35   | 2210948-35   |
| 15                  | 4    | Washer for adaptor .....              | 223107-22    | 223107-22    | 223107-22    | 223107-22    | 223107-22    | 223107-22    |
| 16                  | 2    | Nut .....                             | 9611-99-0353 | 9611-99-0353 | 9611-99-0353 | 9611-99-0353 | 9611-99-0353 | 9611-99-0353 |
| 17                  | 2    | Washer .....                          | 9611-99-0786 | 9611-99-0786 | 9611-99-0786 | 9611-99-0786 | 9611-99-0786 | 9611-99-0786 |
| 18                  | 1    | Safety shield .....                   | 9612-1311-10 | 9612-1311-10 | 9612-1311-11 | 9612-1311-11 | 9612-1311-11 | 9612-1311-11 |
| 19                  | 1    | Screw for safety shield .....         | 31460-1309-1 | 31460-1309-1 | 31460-1309-1 | 31460-1309-1 | 31460-1309-1 | 31460-1309-1 |
| 20                  | 6    | Handle .....                          | 9611-99-2303 | 9611-99-2303 | 9611-99-2303 | 9611-99-2303 | 9611-99-2303 | 9611-99-2303 |
| 21                  | 1    | Backplate .....                       | 9612-1384-18 | 9612-1384-18 | 9612-1384-18 | 9612-1384-18 | 9612-1384-18 | 9612-1384-18 |
| 22                  | 1    | Joint ring, EPDM (std.) .....         | 9611-99-2171 | 9611-99-2171 | 9611-99-2171 | 9611-99-2171 | 9611-99-2171 | 9611-99-2171 |
|                     | 1    | Joint ring, NBR .....                 | 9611-99-2173 | 9611-99-2173 | 9611-99-2173 | 9611-99-2173 | 9611-99-2173 | 9611-99-2173 |
|                     | 1    | Joint ring, FPM .....                 | 9611-99-2172 | 9611-99-2172 | 9611-99-2172 | 9611-99-2172 | 9611-99-2172 | 9611-99-2172 |
|                     | 1    | Joint ring, PTFE .....                | 9611-99-2174 | 9611-99-2174 | 9611-99-2174 | 9611-99-2174 | 9611-99-2174 | 9611-99-2174 |
| 24                  | 6    | Bolt .....                            | 9611-99-2169 | 9611-99-2169 | 9611-99-2169 | 9611-99-2169 | 9611-99-2169 | 9611-99-2169 |
| 25                  | 1    | Pump casing, GC .....                 | 9612-1293-01 | 9612-1293-01 | 9612-1293-01 | 9612-1293-01 | 9612-1293-01 | 9612-1293-01 |
|                     | 1    | Pump casing, bev. seat .....          | 9612-1293-02 | 9612-1293-02 | 9612-1293-02 | 9612-1293-02 | 9612-1293-02 | 9612-1293-02 |
|                     | 1    | Pump casing, H-line .....             | 9612-1293-03 | 9612-1293-03 | 9612-1293-03 | 9612-1293-03 | 9612-1293-03 | 9612-1293-03 |
|                     | 1    | Pump casing, HDI .....                | 9612-1293-05 | 9612-1293-05 | 9612-1293-05 | 9612-1293-05 | 9612-1293-05 | 9612-1293-05 |
| 32                  | 1    | Impeller screw .....                  | 9612-1396-03 | 9612-1396-03 | 9612-1396-03 | 9612-1396-03 | 9612-1396-03 | 9612-1396-03 |
| 33                  | 1    | Impeller .....                        | 9612-1320-06 | 9612-1320-06 | 9612-1320-06 | 9612-1320-06 | 9612-1320-06 | 9612-1320-06 |
| 34                  | 1    | O-ring EPDM .....                     | 9611-99-2145 | 9611-99-2145 | 9611-99-2145 | 9611-99-2145 | 9611-99-2145 | 9611-99-2145 |
|                     | 1    | O-ring NBR .....                      | 9611-99-2147 | 9611-99-2147 | 9611-99-2147 | 9611-99-2147 | 9611-99-2147 | 9611-99-2147 |
|                     | 1    | O-ring FPM .....                      | 9611-99-2146 | 9611-99-2146 | 9611-99-2146 | 9611-99-2146 | 9611-99-2146 | 9611-99-2146 |
|                     | 1    | O-ring PTFE .....                     | 9611-99-2148 | 9611-99-2148 | 9611-99-2148 | 9611-99-2148 | 9611-99-2148 | 9611-99-2148 |
| <b>Alternatives</b> |      |                                       |              |              |              |              |              |              |
| 23                  | 1    | Impeller .....                        | 9612-1320-05 | 9612-1320-05 | 9612-1320-05 | 9612-1320-05 | 9612-1320-05 | 9612-1320-05 |
| <b>Legs</b>         |      |                                       |              |              |              |              |              |              |
| 26a                 | 1    | Support bar, right .....              | 31460-1287-2 | 31460-1287-2 | 31460-1287-3 | 31460-1287-3 | 31460-1287-4 | 31460-1287-4 |
| 26b                 | 1    | Support bar, left .....               | 31460-1288-2 | 31460-1288-2 | 31460-1288-3 | 31460-1288-3 | 31460-1288-4 | 31460-1288-4 |
| 27                  | 4    | Leg .....                             | 31460-1018-1 | 31460-1018-1 | 31460-1018-1 | 31460-1018-1 | 31460-1018-1 | 31460-1018-1 |
| 28                  | 4    | Screw .....                           | 9611-99-1907 | 9611-99-1907 | 9611-99-1907 | 9611-99-1907 | 9611-99-1907 | 9611-99-1907 |
| 29                  | 4    | Acorn cap nut .....                   | 221851-11    | 221851-11    | 221851-15    | 221851-15    | 221851-15    | 221851-15    |
| 30                  | 4    | Spring washer .....                   | 223107-21    | 223107-21    | 223107-22    | 223107-22    | 223107-22    | 223107-22    |
| 31                  | 4    | Screw .....                           | 9611-99-1911 | 9611-99-1911 | 9611-99-1834 | 9611-99-1834 | 9611-99-1834 | 9611-99-1834 |
| <b>Accessories</b>  |      |                                       |              |              |              |              |              |              |
| *                   | 1    | Tool compl. ....                      | 9612-1371-01 |              |              |              |              |              |

| Pos.                | Qty. | Denomination                        |              |
|---------------------|------|-------------------------------------|--------------|
|                     |      | Shaft seal compl. EPDM (std.) ..... | 9612-1296-01 |
| 8                   | 1    | Stationary seal ring, .....         | 9612-1378-01 |
|                     |      | stainless steel                     |              |
| 9                   | 1    | O-ring, EPDM .....                  | 9611-99-2149 |
| 10                  | 1    | Spring .....                        | 9612-1376-01 |
| 11                  | 1    | Rotating seal ring, carbon .....    | 9612-1364-01 |
| 12                  | 1    | O-ring, EPDM .....                  | 9611-99-2145 |
|                     |      | Shaft seal compl. NBR .....         | 9612-1296-02 |
| 8                   | 1    | Stationary seal ring, .....         | 9612-1378-01 |
|                     |      | stainless steel                     |              |
| 9                   | 1    | O-ring, NBR .....                   | 9611-99-2151 |
| 10                  | 1    | Spring .....                        | 9612-1376-01 |
| 11                  | 1    | Rotating seal ring, carbon .....    | 9612-1364-01 |
| 12                  | 1    | O-ring, NBR .....                   | 9611-99-2147 |
|                     |      | Shaft seal compl. FPM .....         | 9612-1296-03 |
| 8                   | 1    | Stationary seal ring, .....         | 9612-1378-01 |
|                     |      | stainless steel                     |              |
| 9                   | 1    | O-ring, FPM .....                   | 9611-99-2150 |
| 10                  | 1    | Spring .....                        | 9612-1376-01 |
| 11                  | 1    | Rotating seal ring, carbon .....    | 9612-1364-01 |
| 12                  | 1    | O-ring, FPM .....                   | 9611-99-2146 |
|                     |      | Shaft seal compl. PTFE .....        | 9612-1296-04 |
| 8                   | 1    | Stationary seal ring, .....         | 9612-1378-01 |
|                     |      | stainless steel                     |              |
| 9                   | 1    | O-ring, PTFE .....                  | 9611-99-2152 |
| 10                  | 1    | Spring .....                        | 9612-1376-01 |
| 11                  | 1    | Rotating seal ring, carbon .....    | 9612-1364-01 |
| 12                  | 1    | O-ring, PTFE .....                  | 9611-99-2148 |
| <b>Alternatives</b> |      |                                     |              |
|                     |      | Shaft seal compl. EPDM .....        | 9612-1296-05 |
| 8                   | 1    | Stationary seal ring, sic. ....     | 9612-1379-01 |
| 9                   | 1    | O-ring, EPDM .....                  | 9611-99-2149 |
| 10                  | 1    | Spring .....                        | 9612-1376-01 |
| 11                  | 1    | Rotating seal ring sic. ....        | 9612-1364-02 |
| 12                  | 1    | O-ring, EPDM .....                  | 9611-99-2145 |
|                     |      | Shaft seal compl. NBR .....         | 9612-1296-06 |
| 8                   | 1    | Stationary seal ring, sic. ....     | 9612-1379-01 |
| 9                   | 1    | O-ring, NBR .....                   | 9611-99-2151 |
| 10                  | 1    | Spring .....                        | 9612-1376-01 |
| 11                  | 1    | Rotating seal ring sic. ....        | 9612-1364-02 |
| 12                  | 1    | O-ring, NBR .....                   | 9611-99-2147 |
|                     |      | Shaft seal compl. FPM .....         | 9612-1296-07 |
| 8                   | 1    | Stationary seal ring, sic. ....     | 9612-1379-01 |
| 9                   | 1    | O-ring, FPM .....                   | 9611-99-2150 |
| 10                  | 1    | Spring .....                        | 9612-1376-01 |
| 11                  | 1    | Rotating seal ring sic. ....        | 9612-1364-02 |
| 12                  | 1    | O-ring, FPM .....                   | 9611-99-2146 |
|                     |      | Shaft seal compl. PTFE .....        | 9612-1296-08 |
| 8                   | 1    | Stationary seal ring, sic. ....     | 9612-1379-01 |
| 9                   | 1    | O-ring, PTFE .....                  | 9611-99-2152 |
| 10                  | 1    | Spring .....                        | 9612-1376-01 |
| 11                  | 1    | Rotating seal ring sic. ....        | 9612-1364-02 |
| 12                  | 1    | O-ring, PTFE .....                  | 9611-99-2148 |

\* Not shown



# Centrifugal Pump, Type GHH-50 Single - Flushed Shaft Seal

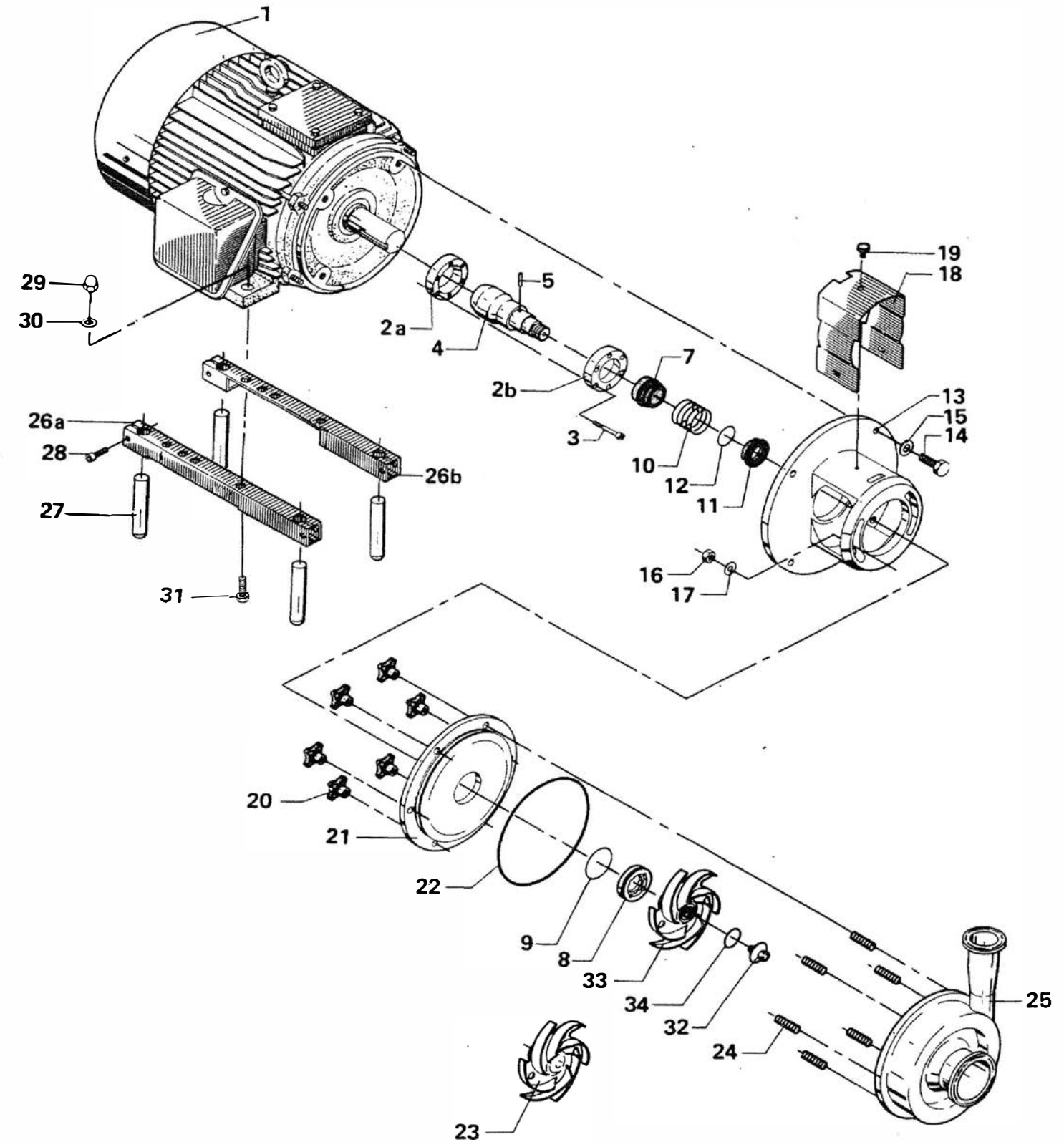
| Pos.                | Qty. | Denomination                          | 7½Hp         | 10 Hp        | 15 Hp        | 20 Hp        | 25 Hp        | 30 Hp        |
|---------------------|------|---------------------------------------|--------------|--------------|--------------|--------------|--------------|--------------|
| 1                   | 1    | Motor .....                           | 213 TC       | 215 TC       | 254 TC       | 256 TC       | 284 TS       | 286 TC       |
| 2a                  | 1    | Compression ring with thread .....    | 9612-1336-06 | 9612-1336-06 | 9612-1336-03 | 9612-1336-03 | 9612-1336-03 | 9612-1336-03 |
| 2b                  | 1    | Compression ring without thread ..... | 9612-1337-06 | 9612-1337-06 | 9612-1337-03 | 9612-1337-03 | 9612-1337-03 | 9612-1337-03 |
| 3                   | 6    | Screw .....                           | 9611-99-2338 | 9611-99-2338 | 9611-99-2338 | 9611-99-2338 | 9611-99-2338 | 9611-99-2338 |
| 4                   | 1    | Shaft, inc. pos. 5 .....              | 9612-1332-02 | 9612-1332-02 | 9612-1333-02 | 9612-1333-02 | 9612-1333-02 | 9612-1333-02 |
| 5                   | 1    | Connex pin .....                      | 9611-99-0622 | 9611-99-0622 | 9611-99-0622 | 9611-99-0622 | 9611-99-0622 | 9611-99-0622 |
| 7                   | 1    | Drive ring .....                      | 9612-1397-01 | 9612-1397-01 | 9612-1397-01 | 9612-1397-01 | 9612-1397-01 | 9612-1397-01 |
| 13                  | 1    | Adaptor .....                         | 9612-1346-01 | 9612-1346-01 | 9612-1347-01 | 9612-1347-01 | 9612-1347-01 | 9612-1347-01 |
| 14                  | 4    | Screw for adaptor .....               | 2210948-34   | 2210948-34   | 2210948-35   | 2210948-35   | 2210948-35   | 2210948-35   |
| 15                  | 4    | Washer for adaptor .....              | 223107-22    | 223107-22    | 223107-22    | 223107-22    | 223107-22    | 223107-22    |
| 16                  | 2    | Nut .....                             | 9611-99-0353 | 9611-99-0353 | 9611-99-0353 | 9611-99-0353 | 9611-99-0353 | 9611-99-0353 |
| 17                  | 2    | Washer .....                          | 9611-99-0786 | 9611-99-0786 | 9611-99-0786 | 9611-99-0786 | 9611-99-0786 | 9611-99-0786 |
| 18                  | 1    | Safety shield .....                   | 9612-1311-10 | 9612-1311-10 | 9612-1311-11 | 9612-1311-11 | 9612-1311-11 | 9612-1311-11 |
| 19                  | 1    | Screw forsafety shield .....          | 31460-1309-1 | 31460-1309-1 | 31460-1309-1 | 31460-1309-1 | 31460-1309-1 | 31460-1309-1 |
| 20                  | 6    | Handle .....                          | 9611-99-2303 | 9611-99-2303 | 9611-99-2303 | 9611-99-2303 | 9611-99-2303 | 9611-99-2303 |
| 21                  | 1    | Backplate .....                       | 9612-1384-18 | 9612-1384-18 | 9612-1384-18 | 9612-1384-18 | 9612-1384-18 | 9612-1384-18 |
| 22                  | 1    | Joint ring, EPDM (std.) .....         | 9611-99-2171 | 9611-99-2171 | 9611-99-2171 | 9611-99-2171 | 9611-99-2171 | 9611-99-2171 |
|                     | 1    | Joint ring, NBR .....                 | 9611-99-2173 | 9611-99-2173 | 9611-99-2173 | 9611-99-2173 | 9611-99-2173 | 9611-99-2173 |
|                     | 1    | Joint ring, Viton .....               | 9611-99-2172 | 9611-99-2172 | 9611-99-2172 | 9611-99-2172 | 9611-99-2172 | 9611-99-2172 |
|                     | 1    | Joint ring, Teflon .....              | 9611-99-2174 | 9611-99-2174 | 9611-99-2174 | 9611-99-2174 | 9611-99-2174 | 9611-99-2174 |
| 24                  | 6    | Bolt .....                            | 9611-99-2169 | 9611-99-2169 | 9611-99-2169 | 9611-99-2169 | 9611-99-2169 | 9611-99-2169 |
| 25                  | 1    | Pump casing, GC .....                 | 9612-1293-01 | 9612-1293-01 | 9612-1293-02 | 9612-1293-02 | 9612-1293-02 | 9612-1293-02 |
|                     | 1    | Pump casing, bev. seat .....          | 9612-1293-02 | 9612-1293-02 | 9612-1293-02 | 9612-1293-02 | 9612-1293-02 | 9612-1293-02 |
|                     | 1    | Pump casing, H-line .....             | 9612-1293-03 | 9612-1293-03 | 9612-1293-03 | 9612-1293-03 | 9612-1293-03 | 9612-1293-03 |
|                     | 1    | Pump casing, HDI .....                | 9612-1293-05 | 9612-1293-05 | 9612-1293-05 | 9612-1293-05 | 9612-1293-05 | 9612-1293-05 |
| 32                  | 1    | Impeller screw .....                  | 9612-1396-03 | 9612-1396-03 | 9612-1396-03 | 9612-1396-03 | 9612-1396-03 | 9612-1396-03 |
| 33                  | 1    | Impeller .....                        | 9612-1320-06 | 9612-1320-06 | 9612-1320-06 | 9612-1320-06 | 9612-1320-06 | 9612-1320-06 |
| 34                  | 1    | O-ring EPDM .....                     | 9611-99-2145 | 9611-99-2145 | 9611-99-2145 | 9611-99-2145 | 9611-99-2145 | 9611-99-2145 |
|                     | 1    | O-ring NBR .....                      | 9611-99-2147 | 9611-99-2147 | 9611-99-2147 | 9611-99-2147 | 9611-99-2147 | 9611-99-2147 |
|                     | 1    | O-ring FPM .....                      | 9611-99-2146 | 9611-99-2146 | 9611-99-2146 | 9611-99-2146 | 9611-99-2146 | 9611-99-2146 |
|                     | 1    | O-ring PTFE .....                     | 9611-99-2148 | 9611-99-2148 | 9611-99-2148 | 9611-99-2148 | 9611-99-2148 | 9611-99-2148 |
| 35                  | 1    | Seal housing .....                    | 9612-1339-01 | 9612-1339-01 | 9612-1339-01 | 9612-1339-01 | 9612-1339-01 | 9612-1339-01 |
| 36                  | 2    | Screw for seal housing .....          | 9611-99-0203 | 9611-99-0203 | 9611-99-0203 | 9611-99-0203 | 9611-99-0203 | 9611-99-0203 |
| 37                  | 2    | Pipe .....                            | 31457-0056-1 | 31457-0056-1 | 31457-0056-1 | 31457-0056-1 | 31457-0056-1 | 31457-0056-1 |
| 38                  | 1    | Lip seal .....                        | 31446-0088-2 | 31446-0088-2 | 31446-0088-2 | 31446-0088-2 | 31446-0088-2 | 31446-0088-2 |
| 39                  | 1    | O-ring for seal housing, EPDM .....   | 9611-99-2153 | 9611-99-2153 | 9611-99-2153 | 9611-99-2153 | 9611-99-2153 | 9611-99-2153 |
| 40                  | 1    | O-ring for drive ring, EPDM .....     | 9611-99-2145 | 9611-99-2145 | 9611-99-2145 | 9611-99-2145 | 9611-99-2145 | 9611-99-2145 |
| <b>Alternatives</b> |      |                                       |              |              |              |              |              |              |
| 23                  | 1    | Impeller .....                        | 9612-1320-05 | 9612-1320-05 | 9612-1320-05 | 9612-1320-05 | 9612-1320-05 | 9612-1320-05 |
| <b>Legs</b>         |      |                                       |              |              |              |              |              |              |
| 26a                 | 1    | Support bar, right .....              | 31460-1287-2 | 31460-1287-2 | 31460-1287-3 | 31460-1287-3 | 31460-1287-4 | 31460-1287-4 |
| 26b                 | 1    | Support bar, left .....               | 31460-1288-2 | 31460-1288-2 | 31460-1288-3 | 31460-1288-3 | 31460-1288-4 | 31460-1288-4 |
| 27                  | 4    | Leg .....                             | 31460-1018-1 | 31460-1018-1 | 31460-1018-1 | 31460-1018-1 | 31460-1018-1 | 31460-1018-1 |
| 28                  | 4    | Screw .....                           | 9611-99-1907 | 9611-99-1907 | 9611-99-1907 | 9611-99-1907 | 9611-99-1907 | 9611-99-1907 |
| 29                  | 4    | Acorn cap nut .....                   | 221851-11    | 221851-11    | 221851-15    | 221851-15    | 221851-15    | 221851-15    |
| 30                  | 4    | Spring washer .....                   | 223107-21    | 223107-21    | 223107-22    | 223107-22    | 223107-22    | 223107-22    |
| 31                  | 4    | Screw .....                           | 9611-99-1911 | 9611-99-1911 | 9611-99-1834 | 9611-99-1834 | 9611-99-1834 | 9611-99-1834 |
| <b>Accessories</b>  |      |                                       |              |              |              |              |              |              |
| *                   | 1    | Tool compl. ....                      | 9612-1371-01 |              |              |              |              |              |

| Pos.                | Qty. | Denomination                                |              |
|---------------------|------|---|--------------|
|                     |      | Shaft seal compl. EPDM (std.) .....         | 9612-1296-01 |
| 8                   | 1    | Stationary seal ring, stainless steel ..... | 9612-1378-01 |
| 9                   | 1    | O-ring, EPDM .....                          | 9611-99-2149 |
| 10                  | 1    | Spring .....                                | 9612-1376-01 |
| 11                  | 1    | Rotating seal ring, carbon .....            | 9612-1364-01 |
| 12                  | 1    | O-ring, EPDM .....                          | 9611-99-2145 |
|                     |      | Shaft seal compl. NBR .....                 | 9612-1296-02 |
| 8                   | 1    | Stationary seal ring, stainless steel ..... | 9612-1378-01 |
| 9                   | 1    | O-ring, NBR .....                           | 9611-99-2151 |
| 10                  | 1    | Spring .....                                | 9612-1376-01 |
| 11                  | 1    | Rotating seal ring, carbon .....            | 9612-1364-01 |
| 12                  | 1    | O-ring, NBR .....                           | 9611-99-2147 |
|                     |      | Shaft seal compl. FPM .....                 | 9612-1296-03 |
| 8                   | 1    | Stationary seal ring, stainless steel ..... | 9612-1378-01 |
| 9                   | 1    | O-ring, FPM .....                           | 9611-99-2150 |
| 10                  | 1    | Spring .....                                | 9612-1376-01 |
| 11                  | 1    | Rotating seal ring, carbon .....            | 9612-1364-01 |
| 12                  | 1    | O-ring, FPM .....                           | 9611-99-2146 |
|                     |      | Shaft seal compl. PTFE .....                | 9612-1296-04 |
| 8                   | 1    | Stationary seal ring, stainless steel ..... | 9612-1378-01 |
| 9                   | 1    | O-ring, PTFE .....                          | 9611-99-2152 |
| 10                  | 1    | Spring .....                                | 9612-1376-01 |
| 11                  | 1    | Rotating seal ring, carbon .....            | 9612-1364-01 |
| 12                  | 1    | O-ring, PTFE .....                          | 9611-99-2148 |
| <b>Alternatives</b> |      |   |              |
|                     |      | Shaft seal compl. EPDM .....                | 9612-1296-05 |
| 8                   | 1    | Stationary seal ring, sic. ....             | 9612-1379-01 |
| 9                   | 1    | O-ring, EPDM .....                          | 9611-99-2149 |
| 10                  | 1    | Spring .....                                | 9612-1376-01 |
| 11                  | 1    | Rotating seal ring sic. ....                | 9612-1364-02 |
| 12                  | 1    | O-ring, EPDM .....                          | 9611-99-2145 |
|                     |      | Shaft seal compl. NBR .....                 | 9612-1296-06 |
| 8                   | 1    | Stationary seal ring, sic. ....             | 9612-1379-01 |
| 9                   | 1    | O-ring, NBR .....                           | 9611-99-2151 |
| 10                  | 1    | Spring .....                                | 9612-1376-01 |
| 11                  | 1    | Rotating seal ring sic. ....                | 9612-1364-02 |
| 12                  | 1    | O-ring, NBR .....                           | 9611-99-2147 |
|                     |      | Shaft seal compl. FPM .....                 | 9612-1296-07 |
| 8                   | 1    | Stationary seal ring, sic. ....             | 9612-1379-01 |
| 9                   | 1    | O-ring, FPM .....                           | 9611-99-2150 |
| 10                  | 1    | Spring .....                                | 9612-1376-01 |
| 11                  | 1    | Rotating seal ring sic. ....                | 9612-1364-02 |
| 12                  | 1    | O-ring, FPM .....                           | 9611-99-2146 |
|                     |      | Shaft seal compl. PTFE .....                | 9612-1296-08 |
| 8                   | 1    | Stationary seal ring, sic. ....             | 9612-1379-01 |
| 9                   | 1    | O-ring, PTFE .....                          | 9611-99-2152 |
| 10                  | 1    | Spring .....                                | 9612-1376-01 |
| 11                  | 1    | Rotating seal ring sic. ....                | 9612-1364-02 |
| 12                  | 1    | O-ring, PTFE .....                          | 9611-99-2148 |

\* Not shown

Conversion kit single to double shaftseal: 9611-92-2042

Reg. 2.1 SP70737/18 GH 9011



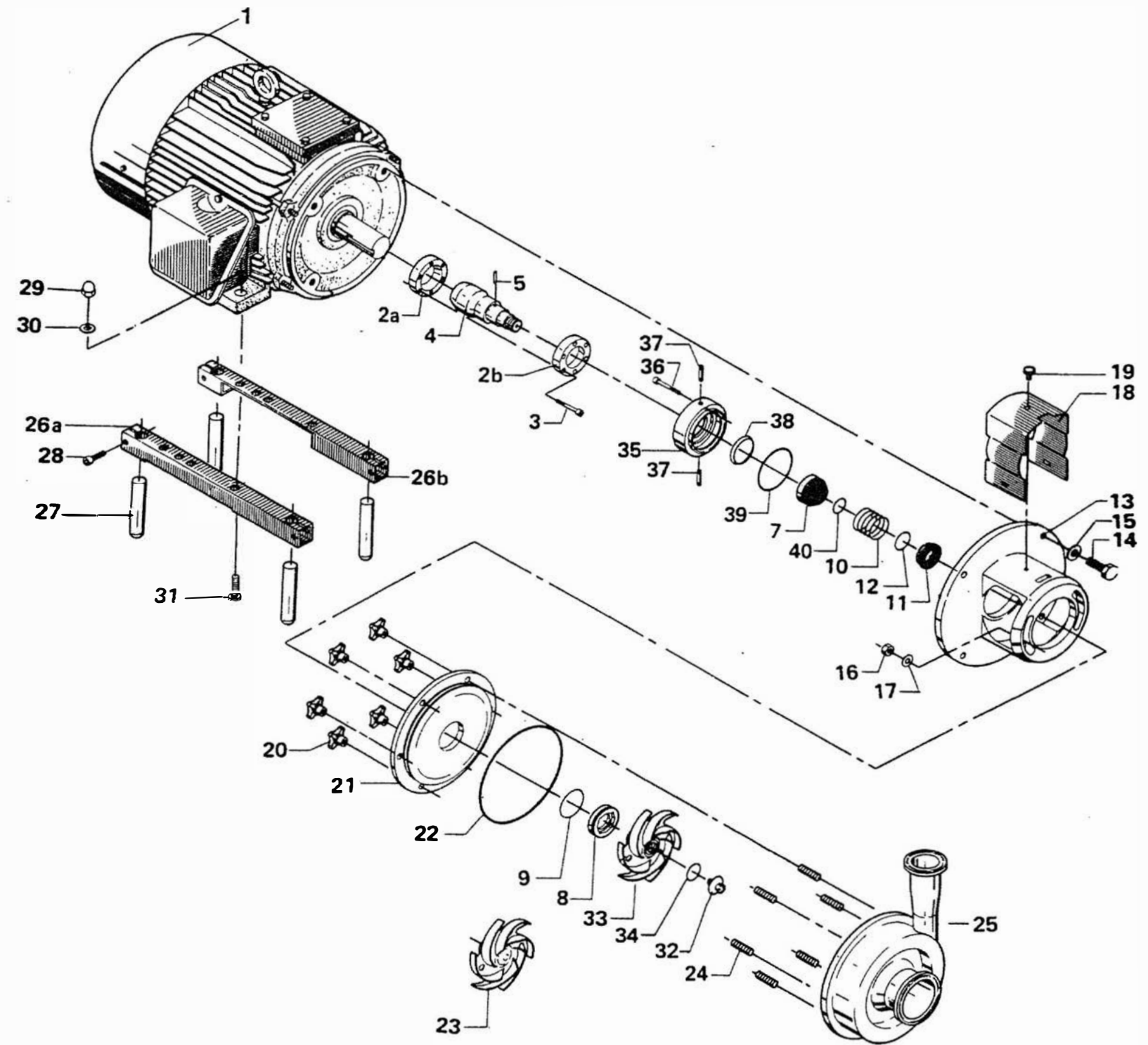


| Pos.                | Qty. | Denomination                          | 7½ Hp        | 10 Hp        | 15 Hp        | 20 Hp        | 25 Hp        | 30 Hp        |
|---------------------|------|---------------------------------------|--------------|--------------|--------------|--------------|--------------|--------------|
| 1                   | 1    | Motor .....                           | 213 TC       | 215 TC       | 254 TC       | 256 TC       | 284 TS       | 286 TS       |
| 2a                  | 1    | Compression ring with thread .....    | 9612-1336-06 | 9612-1336-06 | 9612-1336-03 | 9612-1336-03 | 9612-1336-03 | 9612-1336-03 |
| 2b                  | 1    | Compression ring without thread ..... | 9612-1337-06 | 9612-1337-06 | 9612-1337-03 | 9612-1337-03 | 9612-1337-03 | 9612-1337-03 |
| 3                   | 6    | Screw .....                           | 9611-99-2338 | 9611-99-2338 | 9611-99-2338 | 9611-99-2338 | 9611-99-2338 | 9611-99-2338 |
| 4                   | 1    | Shaft, inc. pos. 5 .....              | 9612-1332-02 | 9612-1332-02 | 9612-1333-02 | 9612-1333-02 | 9612-1333-02 | 9612-1333-02 |
| 5                   | 1    | Connex pin .....                      | 9611-99-0622 | 9611-99-0622 | 9611-99-0622 | 9611-99-0622 | 9611-99-0622 | 9611-99-0622 |
| 7                   | 1    | Drive ring .....                      | 9612-1377-01 | 9612-1377-01 | 9612-1377-01 | 9612-1377-01 | 9612-1377-01 | 9612-1377-01 |
| 13                  | 1    | Adaptor .....                         | 9612-1346-01 | 9612-1346-01 | 9612-1347-01 | 9612-1347-01 | 9612-1347-01 | 9612-1347-01 |
| 14                  | 4    | Screw for adaptor .....               | 2210948-34   | 2210948-34   | 2210948-35   | 2210948-35   | 2210948-35   | 2210948-35   |
| 15                  | 4    | Washer for adaptor .....              | 228107-22    | 228107-22    | 228107-22    | 228107-22    | 228107-22    | 228107-22    |
| 16                  | 2    | Nut .....                             | 9611-99-0353 | 9611-99-0353 | 9611-99-0353 | 9611-99-0353 | 9611-99-0353 | 9611-99-0353 |
| 17                  | 2    | Washer .....                          | 9611-99-0786 | 9611-99-0786 | 9611-99-0786 | 9611-99-0786 | 9611-99-0786 | 9611-99-0786 |
| 18                  | 1    | Safety shield .....                   | 9612-1311-07 | 9612-1311-07 | 9612-1311-08 | 9612-1311-08 | 9612-1311-08 | 9612-1311-08 |
| 19                  | 1    | Screw for safety shield .....         | 31460-1309-1 | 31460-1309-1 | 31460-1309-1 | 31460-1309-1 | 31460-1309-1 | 31460-1309-1 |
| 20                  | 6    | Handle .....                          | 9611-99-2303 | 9611-99-2303 | 9611-99-2303 | 9611-99-2303 | 9611-99-2303 | 9611-99-2303 |
| 21                  | 1    | Backplate .....                       | 9612-1384-06 | 9612-1384-06 | 9612-1384-06 | 9612-1384-06 | 9612-1384-06 | 9612-1384-06 |
| 22                  | 1    | Joint ring, EPDM (std.) .....         | 9611-99-2171 | 9611-99-2171 | 9611-99-2171 | 9611-99-2171 | 9611-99-2171 | 9611-99-2171 |
|                     | 1    | Joint ring, NBR .....                 | 9611-99-2173 | 9611-99-2173 | 9611-99-2173 | 9611-99-2173 | 9611-99-2173 | 9611-99-2173 |
|                     | 1    | Joint ring, FPM .....                 | 9611-99-2172 | 9611-99-2172 | 9611-99-2172 | 9611-99-2172 | 9611-99-2172 | 9611-99-2172 |
|                     | 1    | Joint ring, PTFE .....                | 9611-99-2174 | 9611-99-2174 | 9611-99-2174 | 9611-99-2174 | 9611-99-2174 | 9611-99-2174 |
| 24                  | 6    | Bolt .....                            | 9611-99-2169 | 9611-99-2169 | 9611-99-2169 | 9611-99-2169 | 9611-99-2169 | 9611-99-2169 |
| 25                  | 1    | Pump casing, GC .....                 | 9612-1293-06 | 9612-1293-06 | 9612-1293-06 | 9612-1293-06 | 9612-1293-06 | 9612-1293-06 |
|                     | 1    | Pump casing, bev. seat .....          | 9612-1293-07 | 9612-1293-07 | 9612-1293-07 | 9612-1293-07 | 9612-1293-07 | 9612-1293-07 |
|                     | 1    | Pump casing, H-line .....             | 9612-1293-08 | 9612-1293-08 | 9612-1293-08 | 9612-1293-08 | 9612-1293-08 | 9612-1293-08 |
|                     | 1    | Pump casing, HDI .....                | 9612-1293-10 | 9612-1293-10 | 9612-1293-10 | 9612-1293-10 | 9612-1293-10 | 9612-1293-10 |
|                     | 1    | Pump casing, NPT .....                | 9612-1293-11 | 9612-1293-11 | 9612-1293-11 | 9612-1293-11 | 9612-1293-11 | 9612-1293-11 |
| 32                  | 1    | Impeller screw .....                  | 9612-1396-01 | 9612-1396-01 | 9612-1396-01 | 9612-1396-01 | 9612-1396-01 | 9612-1396-01 |
| 33                  | 1    | Impeller .....                        | 9612-1320-02 | 9612-1320-02 | 9612-1320-02 | 9612-1320-02 | 9612-1320-02 | 9612-1320-02 |
| 34                  | 1    | O-ring EPDM .....                     | 9611-99-2145 | 9611-99-2145 | 9611-99-2145 | 9611-99-2145 | 9611-99-2145 | 9611-99-2145 |
|                     | 1    | O-ring NBR .....                      | 9611-99-2147 | 9611-99-2147 | 9611-99-2147 | 9611-99-2147 | 9611-99-2147 | 9611-99-2147 |
|                     | 1    | O-ring FPM .....                      | 9611-99-2146 | 9611-99-2146 | 9611-99-2146 | 9611-99-2146 | 9611-99-2146 | 9611-99-2146 |
|                     | 1    | O-ring PTFE .....                     | 9611-99-2148 | 9611-99-2148 | 9611-99-2148 | 9611-99-2148 | 9611-99-2148 | 9611-99-2148 |
| <b>Alternatives</b> |      |                                       |              |              |              |              |              |              |
| 23                  | 1    | Impeller .....                        | 9612-1320-01 | 9612-1320-01 | 9612-1320-01 | 9612-1320-01 | 9612-1320-01 | 9612-1320-01 |
| <b>Legs</b>         |      |                                       |              |              |              |              |              |              |
| 26a                 | 1    | Support bar, right .....              | 31460-1287-2 | 31460-1287-2 | 31460-1287-3 | 31460-1287-3 | 31460-1287-4 | 31460-1287-4 |
| 26b                 | 1    | Support bar, left .....               | 31460-1288-2 | 31460-1288-2 | 31460-1288-3 | 31460-1288-3 | 31460-1288-4 | 31460-1288-4 |
| 27                  | 4    | Leg .....                             | 31460-1018-1 | 31460-1018-1 | 31460-1018-1 | 31460-1018-1 | 31460-1018-1 | 31460-1018-1 |
| 28                  | 4    | Screw .....                           | 9611-99-1907 | 9611-99-1907 | 9611-99-1907 | 9611-99-1907 | 9611-99-1907 | 9611-99-1907 |
| 29                  | 4    | Acorn cap nut .....                   | 221851-11    | 221851-11    | 221851-15    | 221851-15    | 221851-15    | 221851-15    |
| 30                  | 4    | Spring washer .....                   | 223107-21    | 223107-21    | 223107-22    | 223107-22    | 223107-22    | 223107-22    |
| 31                  | 4    | Screw .....                           | 9611-99-1911 | 9611-99-1911 | 9611-99-1834 | 9611-99-1834 | 9611-99-1834 | 9611-99-1834 |
| <b>Accessories</b>  |      |                                       |              |              |              |              |              |              |
|                     | 1    | Tool compl. ....                      | 9612-1371-01 |              |              |              |              |              |

| Pos.                | Qty. | Denomination                                |              |
|---------------------|------|---|--------------|
|                     |      | Shaft seal compl. EPDM (std.) .....         | 9612-1296-01 |
| 8                   | 1    | Stationary seal ring, stainless steel ..... | 9612-1378-01 |
| 9                   | 1    | O-ring, EPDM .....                          | 9611-99-2149 |
| 10                  | 1    | Spring .....                                | 9612-1376-01 |
| 11                  | 1    | Rotating seal ring, carbon .....            | 9612-1364-01 |
| 12                  | 1    | O-ring, EPDM .....                          | 9611-99-2145 |
|                     |      | Shaft seal compl. NBR .....                 | 9612-1296-02 |
| 8                   | 1    | Stationary seal ring, stainless steel ..... | 9612-1378-01 |
| 9                   | 1    | O-ring, NBR .....                           | 9611-99-2151 |
| 10                  | 1    | Spring .....                                | 9612-1376-01 |
| 11                  | 1    | Rotating seal ring, carbon .....            | 9612-1364-01 |
| 12                  | 1    | O-ring, NBR .....                           | 9611-99-2147 |
|                     |      | Shaft seal compl. FPM .....                 | 9612-1296-03 |
| 8                   | 1    | Stationary seal ring, stainless steel ..... | 9612-1378-01 |
| 9                   | 1    | O-ring, FPM .....                           | 9611-99-2150 |
| 10                  | 1    | Spring .....                                | 9612-1376-01 |
| 11                  | 1    | Rotating seal ring, carbon .....            | 9612-1364-01 |
| 12                  | 1    | O-ring, FPM .....                           | 9611-99-2146 |
|                     |      | Shaft seal compl. PTFE .....                | 9612-1296-04 |
| 8                   | 1    | Stationary seal ring, stainless steel ..... | 9612-1378-01 |
| 9                   | 1    | O-ring, PTFE .....                          | 9611-99-2152 |
| 10                  | 1    | Spring .....                                | 9612-1376-01 |
| 11                  | 1    | Rotating seal ring, carbon .....            | 9612-1364-01 |
| 12                  | 1    | O-ring, PTFE .....                          | 9611-99-2148 |
| <b>Alternatives</b> |      |   |              |
|                     |      | Shaft seal compl. EPDM .....                | 9612-1296-05 |
| 8                   | 1    | Stationary seal ring, sic. ....             | 9612-1379-01 |
| 9                   | 1    | O-ring, EPDM .....                          | 9611-99-2149 |
| 10                  | 1    | Spring .....                                | 9612-1376-01 |
| 11                  | 1    | Rotating seal ring sic. ....                | 9612-1364-02 |
| 12                  | 1    | O-ring, EPDM .....                          | 9611-99-2145 |
|                     |      | Shaft seal compl. NBR .....                 | 9612-1296-06 |
| 8                   | 1    | Stationary seal ring, sic. ....             | 9612-1379-01 |
| 9                   | 1    | O-ring, NBR .....                           | 9611-99-2151 |
| 10                  | 1    | Spring .....                                | 9612-1376-01 |
| 11                  | 1    | Rotating seal ring sic. ....                | 9612-1364-02 |
| 12                  | 1    | O-ring, NBR .....                           | 9611-99-2147 |
|                     |      | Shaft seal compl. FPM .....                 | 9612-1296-07 |
| 8                   | 1    | Stationary seal ring, sic. ....             | 9612-1379-01 |
| 9                   | 1    | O-ring, FPM .....                           | 9611-99-2150 |
| 10                  | 1    | Spring .....                                | 9612-1376-01 |
| 11                  | 1    | Rotating seal ring sic. ....                | 9612-1364-02 |
| 12                  | 1    | O-ring, FPM .....                           | 9611-99-2146 |
|                     |      | Shaft seal compl. PTFE .....                | 9612-1296-08 |
| 8                   | 1    | Stationary seal ring, sic. ....             | 9612-1379-01 |
| 9                   | 1    | O-ring, PTFE .....                          | 9611-99-2152 |
| 10                  | 1    | Spring .....                                | 9612-1376-01 |
| 11                  | 1    | Rotating seal ring sic. ....                | 9612-1364-02 |
| 12                  | 1    | O-ring, PTFE .....                          | 9611-99-2148 |

Reg. 2.1 SP70737/19 GH 9011

\* Not shown



# Centrifugal Pump, Type GHH-50 Single - Flushed Shaft Seal. Industrial

| Pos.                | Qty. | Denomination                          | 7½Hp         | 10 Hp        | 15 Hp        | 20 Hp        | 25 Hp        | 30 Hp        |
|---------------------|------|---------------------------------------|--------------|--------------|--------------|--------------|--------------|--------------|
| 1                   | 1    | Motor .....                           | 213 TC       | 215 TC       | 254 TC       | 256 TC       | 284 TS       | 286 TS       |
| 2a                  | 1    | Compression ring with thread .....    | 9612-1336-06 | 9612-1336-06 | 9612-1336-03 | 9612-1336-03 | 9612-1336-03 | 9612-1336-03 |
| 2b                  | 1    | Compression ring without thread ..... | 9612-1337-06 | 9612-1337-06 | 9612-1337-03 | 9612-1337-03 | 9612-1337-03 | 9612-1337-03 |
| 3                   | 6    | Screw .....                           | 9611-99-2338 | 9611-99-2338 | 9611-99-2338 | 9611-99-2338 | 9611-99-2338 | 9611-99-2338 |
| 4                   | 1    | Shaft, inc. pos. 5 .....              | 9612-1332-02 | 9612-1332-02 | 9612-1333-02 | 9612-1333-02 | 9612-1333-02 | 9612-1333-02 |
| 5                   | 1    | Connex pin .....                      | 9611-99-0622 | 9611-99-0622 | 9611-99-0622 | 9611-99-0622 | 9611-99-0622 | 9611-99-0622 |
| 7                   | 1    | Drive ring .....                      | 9612-1397-01 | 9612-1397-01 | 9612-1397-01 | 9612-1397-01 | 9612-1397-01 | 9612-1397-01 |
| 13                  | 1    | Adaptor .....                         | 9612-1346-01 | 9612-1346-01 | 9612-1347-01 | 9612-1347-01 | 9612-1347-01 | 9612-1347-01 |
| 14                  | 4    | Screw for adaptor .....               | 2210948-34   | 2210948-34   | 2210948-35   | 2210948-35   | 2210948-35   | 2210948-35   |
| 15                  | 4    | Washer for adaptor .....              | 223107-22    | 223107-22    | 223107-22    | 223107-22    | 223107-22    | 223107-22    |
| 16                  | 2    | Nut .....                             | 9611-99-0353 | 9611-99-0353 | 9611-99-0353 | 9611-99-0353 | 9611-99-0353 | 9611-99-0353 |
| 17                  | 2    | Washer .....                          | 9611-99-0786 | 9611-99-0786 | 9611-99-0786 | 9611-99-0786 | 9611-99-0786 | 9611-99-0786 |
| 18                  | 1    | Safety shield .....                   | 9612-1311-07 | 9612-1311-07 | 9612-1311-08 | 9612-1311-08 | 9612-1311-08 | 9612-1311-08 |
| 19                  | 1    | Screw forsafety shield .....          | 31460-1309-1 | 31460-1309-1 | 31460-1309-1 | 31460-1309-1 | 31460-1309-1 | 31460-1309-1 |
| 20                  | 6    | Handle .....                          | 9611-99-2303 | 9611-99-2303 | 9611-99-2303 | 9611-99-2303 | 9611-99-2303 | 9611-99-2303 |
| 21                  | 1    | Backplate .....                       | 9612-1384-06 | 9612-1384-06 | 9612-1384-06 | 9612-1384-06 | 9612-1384-06 | 9612-1384-06 |
| 22                  | 1    | Joint ring, EPDM (std.) .....         | 9611-99-2171 | 9611-99-2171 | 9611-99-2171 | 9611-99-2171 | 9611-99-2171 | 9611-99-2171 |
|                     | 1    | Joint ring, NBR .....                 | 9611-99-2173 | 9611-99-2173 | 9611-99-2173 | 9611-99-2173 | 9611-99-2173 | 9611-99-2173 |
|                     | 1    | Joint ring, Viton .....               | 9611-99-2172 | 9611-99-2172 | 9611-99-2172 | 9611-99-2172 | 9611-99-2172 | 9611-99-2172 |
|                     | 1    | Joint ring, Teflon .....              | 9611-99-2174 | 9611-99-2174 | 9611-99-2174 | 9611-99-2174 | 9611-99-2174 | 9611-99-2174 |
| 24                  | 6    | Bolt .....                            | 9611-99-2169 | 9611-99-2169 | 9611-99-2169 | 9611-99-2169 | 9611-99-2169 | 9611-99-2169 |
| 25                  | 1    | Pump casing, GC .....                 | 9612-1293-06 | 9612-1293-06 | 9612-1293-06 | 9612-1293-06 | 9612-1293-06 | 9612-1293-06 |
|                     | 1    | Pump casing, bev. seat .....          | 9612-1293-07 | 9612-1293-07 | 9612-1293-07 | 9612-1293-07 | 9612-1293-07 | 9612-1293-07 |
|                     | 1    | Pump casing, H-line .....             | 9612-1293-08 | 9612-1293-08 | 9612-1293-08 | 9612-1293-08 | 9612-1293-08 | 9612-1293-08 |
|                     | 1    | Pump casing, HDI .....                | 9612-1293-10 | 9612-1293-10 | 9612-1293-10 | 9612-1293-10 | 9612-1293-10 | 9612-1293-10 |
|                     | 1    | Pump casing, NPT .....                | 9612-1293-11 | 9612-1293-11 | 9612-1293-11 | 9612-1293-11 | 9612-1293-11 | 9612-1293-11 |
| 32                  | 1    | Impeller screw .....                  | 9612-1396-01 | 9612-1396-01 | 9612-1396-01 | 9612-1396-01 | 9612-1396-01 | 9612-1396-01 |
| 33                  | 1    | Impeller .....                        | 9612-1320-02 | 9612-1320-02 | 9612-1320-02 | 9612-1320-02 | 9612-1320-02 | 9612-1320-02 |
| 34                  | 1    | O-ring EPDM .....                     | 9611-99-2145 | 9611-99-2145 | 9611-99-2145 | 9611-99-2145 | 9611-99-2145 | 9611-99-2145 |
|                     | 1    | O-ring NBR .....                      | 9611-99-2147 | 9611-99-2147 | 9611-99-2147 | 9611-99-2147 | 9611-99-2147 | 9611-99-2147 |
|                     | 1    | O-ring FPM .....                      | 9611-99-2146 | 9611-99-2146 | 9611-99-2146 | 9611-99-2146 | 9611-99-2146 | 9611-99-2146 |
|                     | 1    | O-ring PTFE .....                     | 9611-99-2148 | 9611-99-2148 | 9611-99-2148 | 9611-99-2148 | 9611-99-2148 | 9611-99-2148 |
| 35                  | 1    | Seal housing .....                    | 9612-1339-01 | 9612-1339-01 | 9612-1339-01 | 9612-1339-01 | 9612-1339-01 | 9612-1339-01 |
| 36                  | 2    | Screw for seal housing .....          | 9611-99-0203 | 9611-99-0203 | 9611-99-0203 | 9611-99-0203 | 9611-99-0203 | 9611-99-0203 |
| 37                  | 2    | Pipe .....                            | 31457-0056-1 | 31457-0056-1 | 31457-0056-1 | 31457-0056-1 | 31457-0056-1 | 31457-0056-1 |
| 38                  | 1    | Lip seal .....                        | 31446-0088-2 | 31446-0088-2 | 31446-0088-2 | 31446-0088-2 | 31446-0088-2 | 31446-0088-2 |
| 39                  | 1    | O-ring for seal housing, EPDM .....   | 9611-99-2153 | 9611-99-2153 | 9611-99-2153 | 9611-99-2153 | 9611-99-2153 | 9611-99-2153 |
| 40                  | 1    | O-ring for drive ring, EPDM .....     | 9611-99-2145 | 9611-99-2145 | 9611-99-2145 | 9611-99-2145 | 9611-99-2145 | 9611-99-2145 |
| <b>Alternatives</b> |      |                                       |              |              |              |              |              |              |
| 23                  | 1    | Impeller .....                        | 9612-1320-01 | 9612-1320-01 | 9612-1320-01 | 9612-1320-01 | 9612-1320-01 | 9612-1320-01 |
| <b>Legs</b>         |      |                                       |              |              |              |              |              |              |
| 26a                 | 1    | Support bar, right .....              | 31460-1287-2 | 31460-1287-2 | 31460-1287-3 | 31460-1287-3 | 31460-1287-4 | 31460-1287-4 |
| 26b                 | 1    | Support bar, left .....               | 31460-1288-2 | 31460-1288-2 | 31460-1288-3 | 31460-1288-3 | 31460-1288-4 | 31460-1288-4 |
| 27                  | 4    | Leg .....                             | 31460-1018-1 | 31460-1018-1 | 31460-1018-1 | 31460-1018-1 | 31460-1018-1 | 31460-1018-1 |
| 28                  | 4    | Screw .....                           | 9611-99-1907 | 9611-99-1907 | 9611-99-1907 | 9611-99-1907 | 9611-99-1907 | 9611-99-1907 |
| 29                  | 4    | Acorn cap nut .....                   | 221851-11    | 221851-11    | 221851-15    | 221851-15    | 221851-15    | 221851-15    |
| 30                  | 4    | Spring washer .....                   | 223107-21    | 223107-21    | 223107-22    | 223107-22    | 223107-22    | 223107-22    |
| 31                  | 4    | Screw .....                           | 9611-99-1911 | 9611-99-1911 | 9611-99-1834 | 9611-99-1834 | 9611-99-1834 | 9611-99-1834 |
| <b>Accessories</b>  |      |                                       |              |              |              |              |              |              |
| *                   | 1    | Tool compl. ....                      | 9612-1371-01 |              |              |              |              |              |

| Pos.                | Qty. | Denomination                        |              |
|---------------------|------|-------------------------------------|--------------|
|                     |      | Shaft seal compl. EPDM (std.) ..... | 9612-1296-01 |
| 8                   | 1    | Stationary seal ring, .....         | 9612-1378-01 |
|                     |      | stainless steel                     |              |
| 9                   | 1    | O-ring, EPDM .....                  | 9611-99-2149 |
| 10                  | 1    | Spring .....                        | 9612-1376-01 |
| 11                  | 1    | Rotating seal ring, carbon .....    | 9612-1364-01 |
| 12                  | 1    | O-ring, EPDM .....                  | 9611-99-2145 |
|                     |      | Shaft seal compl. NBR .....         | 9612-1296-02 |
| 8                   | 1    | Stationary seal ring, .....         | 9612-1378-01 |
|                     |      | stainless steel                     |              |
| 9                   | 1    | O-ring, NBR .....                   | 9611-99-2151 |
| 10                  | 1    | Spring .....                        | 9612-1376-01 |
| 11                  | 1    | Rotating seal ring, carbon .....    | 9612-1364-01 |
| 12                  | 1    | O-ring, NBR .....                   | 9611-99-2147 |
|                     |      | Shaft seal compl. FPM .....         | 9612-1296-03 |
| 8                   | 1    | Stationary seal ring, .....         | 9612-1378-01 |
|                     |      | stainless steel                     |              |
| 9                   | 1    | O-ring, FPM .....                   | 9611-99-2150 |
| 10                  | 1    | Spring .....                        | 9612-1376-01 |
| 11                  | 1    | Rotating seal ring, carbon .....    | 9612-1364-01 |
| 12                  | 1    | O-ring, FPM .....                   | 9611-99-2146 |
|                     |      | Shaft seal compl. PTFE .....        | 9612-1296-04 |
| 8                   | 1    | Stationary seal ring, .....         | 9612-1378-01 |
|                     |      | stainless steel                     |              |
| 9                   | 1    | O-ring, PTFE .....                  | 9611-99-2152 |
| 10                  | 1    | Spring .....                        | 9612-1376-01 |
| 11                  | 1    | Rotating seal ring, carbon .....    | 9612-1364-01 |
| 12                  | 1    | O-ring, PTFE .....                  | 9611-99-2148 |
| <b>Alternatives</b> |      |                                     |              |
|                     |      | Shaft seal compl. EPDM .....        | 9612-1296-05 |
| 8                   | 1    | Stationary seal ring, sic. ....     | 9612-1379-01 |
| 9                   | 1    | O-ring, EPDM .....                  | 9611-99-2149 |
| 10                  | 1    | Spring .....                        | 9612-1376-01 |
| 11                  | 1    | Rotating seal ring sic. ....        | 9612-1364-02 |
| 12                  | 1    | O-ring, EPDM .....                  | 9611-99-2145 |
|                     |      | Shaft seal compl. NBR .....         | 9612-1296-06 |
| 8                   | 1    | Stationary seal ring, sic. ....     | 9612-1379-01 |
| 9                   | 1    | O-ring, NBR .....                   | 9611-99-2151 |
| 10                  | 1    | Spring .....                        | 9612-1376-01 |
| 11                  | 1    | Rotating seal ring sic. ....        | 9612-1364-02 |
| 12                  | 1    | O-ring, NBR .....                   | 9611-99-2147 |
|                     |      | Shaft seal compl. FPM .....         | 9612-1296-07 |
| 8                   | 1    | Stationary seal ring, sic. ....     | 9612-1379-01 |
| 9                   | 1    | O-ring, FPM .....                   | 9611-99-2150 |
| 10                  | 1    | Spring .....                        | 9612-1376-01 |
| 11                  | 1    | Rotating seal ring sic. ....        | 9612-1364-02 |
| 12                  | 1    | O-ring, FPM .....                   | 9611-99-2146 |
|                     |      | Shaft seal compl. PTFE .....        | 9612-1296-08 |
| 8                   | 1    | Stationary seal ring, sic. ....     | 9612-1379-01 |
| 9                   | 1    | O-ring, PTFE .....                  | 9611-99-2152 |
| 10                  | 1    | Spring .....                        | 9612-1376-01 |
| 11                  | 1    | Rotating seal ring sic. ....        | 9612-1364-02 |
| 12                  | 1    | O-ring, PTFE .....                  | 9611-99-2148 |

\* Not shown  
Conversion kit single to double shaft seal: 9611-92-2042