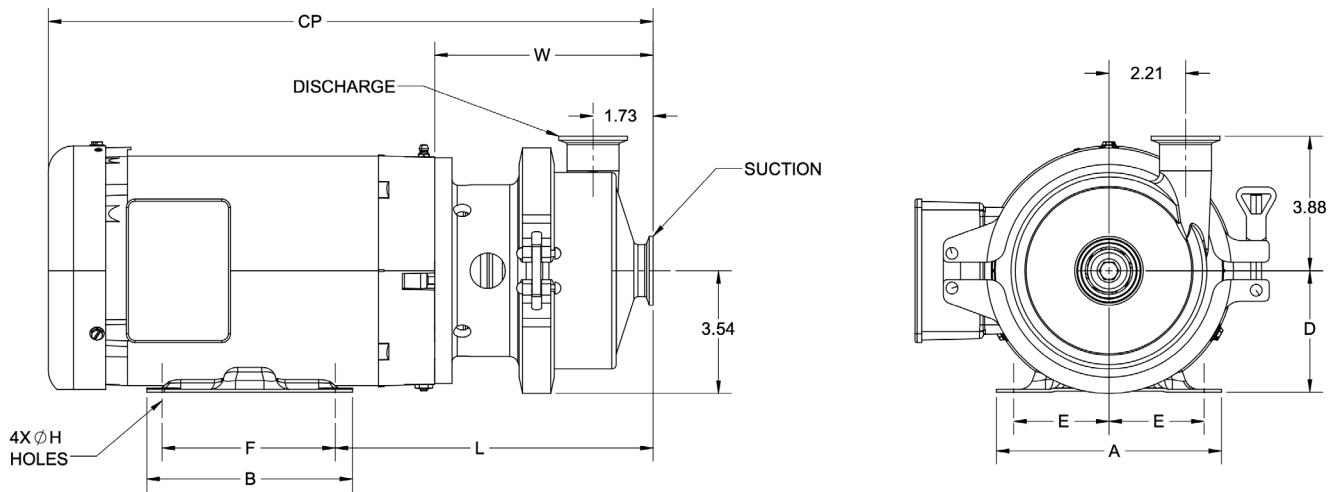




Centrifugal Pumps

DATA SHEET

MODEL H045 1 1/2 x 1 1/2

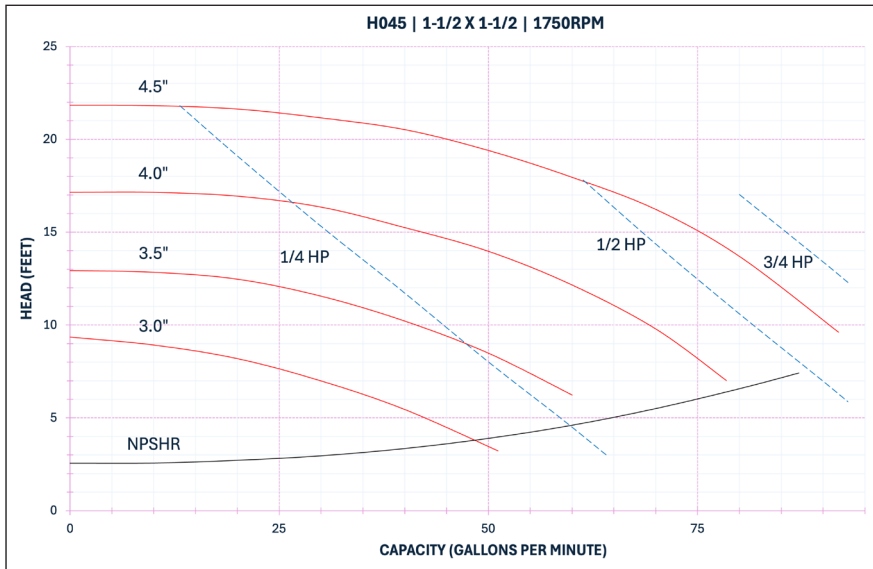


TEFC MOTOR			DIMENSIONS IN MILLIMETERS (For Reference Only)									APPROX WEIGHT (LBS)
HP	RPM	FRAME	A	B	D	E	F	ØH	L	W	CP	
----	----	----	----	----	----	----	----	----	----	----	----	21 (FLUID END)
1	1750	140JM	6.5	6	3.5	2.75	5	0.34	9.2	6.31	16	60
1.5	1750	140JM	6.5	6	3.5	2.75	5	0.34	9.2	6.31	16	60
1.5	3500	140JM	6.5	6	3.5	2.75	5	0.34	9.2	6.31	17	62
2	3500	140JM	6.5	6	3.5	2.75	5	0.34	9.2	6.31	17	65
3	3500	140JM	6.5	6	3.5	2.75	5	0.34	9.2	6.31	17	70
5	3500	140JM	6.5	6	3.5	2.75	5	0.34	9.2	6.31	17	85

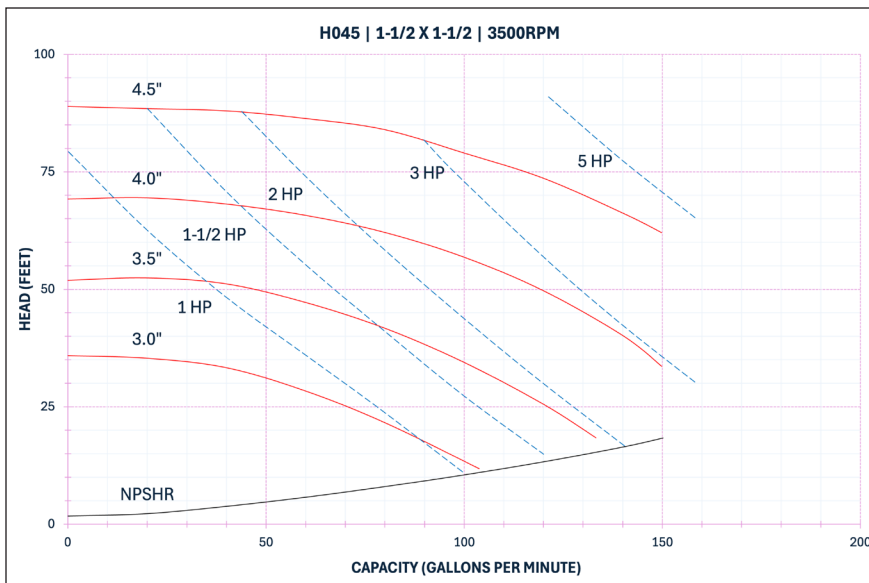
MATERIAL SPECIFICATIONS

PART NAME	STAINLESS STEEL
Casing	316L Stainless
Backplate, Impeller	316L Stainless
Adapter	304 Stainless

1750 RPM



3500 RPM



Curves show approximate characteristics based on clear 68° F water.
Rated point is guaranteed.

H Series pumps have standard stainless steel adapters and Type 1 single mechanical and Type 4 double mechanical seals.

H pumps are in conformance with 3A sanitary standards for centrifugal and positive rotary pumps for milk and milk products, Number 02-10.

H Series pumps have a standard 32RA (150 grit) finish, on all product contact surfaces.

Ampco Centrifugal Pumps

MODEL H045 1 ½ x 1 ½

Curves show approximate characteristics based on clear 68° water.

Rated point is guaranteed.

Ampco Pumps
Company

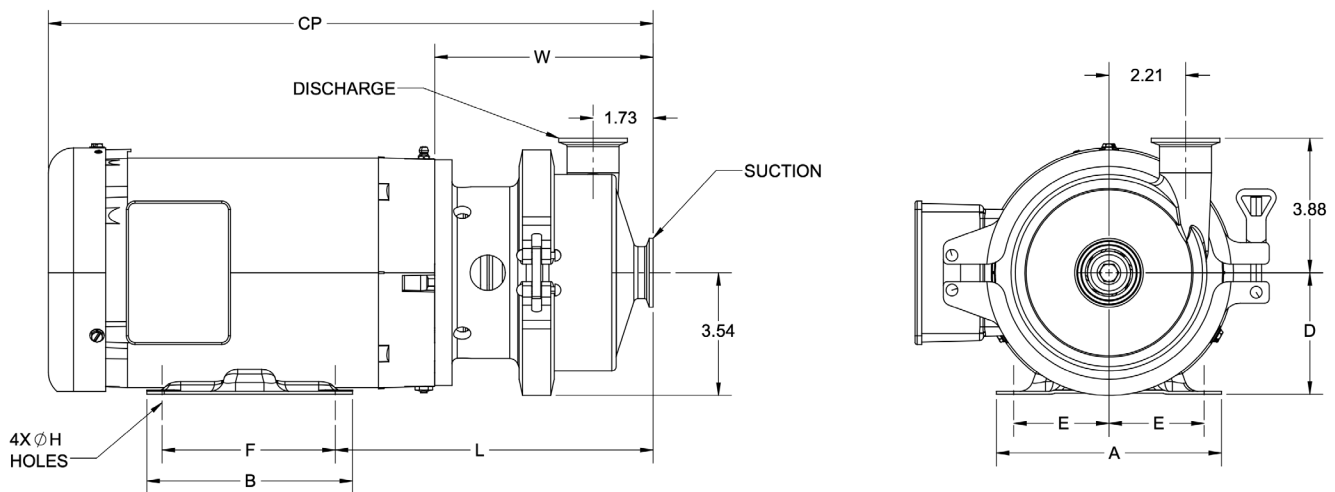
2045 West Mill Road
Glendale, Wisconsin 53209
PHONE (414) 643-1852
FAX (414) 643-4452

Centrifugal Pumps

DATA SHEET



MODEL H045 2 x 1 1/2

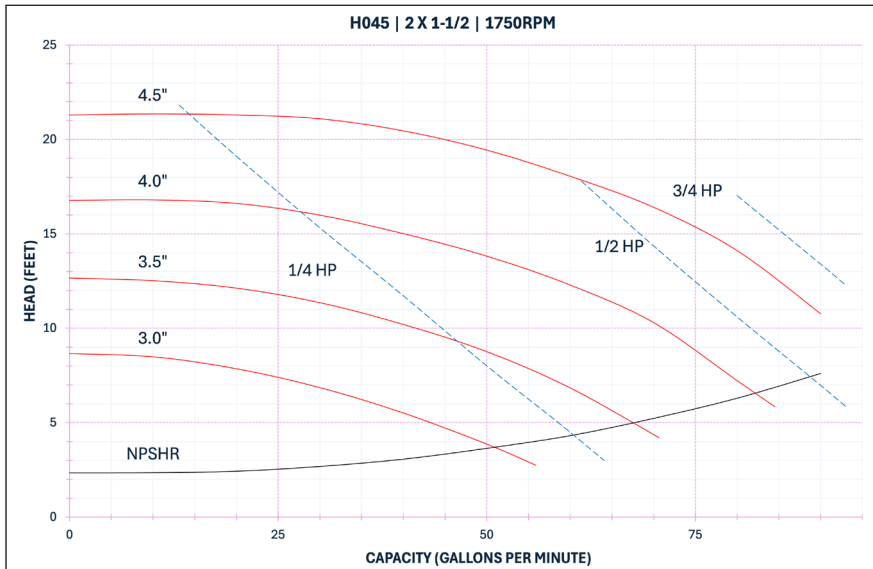


TEFC MOTOR			DIMENSIONS IN MILLIMETERS (For Reference Only)									APPROX WEIGHT (LBS)
HP	RPM	FRAME	A	B	D	E	F	ØH	L	W	CP	
----	----	----	----	----	----	----	----	----	----	----	----	21 (FLUID END)
1	1750	140JM	6.5	6	3.5	2.75	5	0.34	9.2	6.31	16	60
1.5	1750	140JM	6.5	6	3.5	2.75	5	0.34	9.2	6.31	16	60
1.5	3500	140JM	6.5	6	3.5	2.75	5	0.34	9.2	6.31	17	62
2	3500	140JM	6.5	6	3.5	2.75	5	0.34	9.2	6.31	17	65
3	3500	140JM	6.5	6	3.5	2.75	5	0.34	9.2	6.31	17	70
5	3500	140JM	6.5	6	3.5	2.75	5	0.34	9.2	6.31	17	85

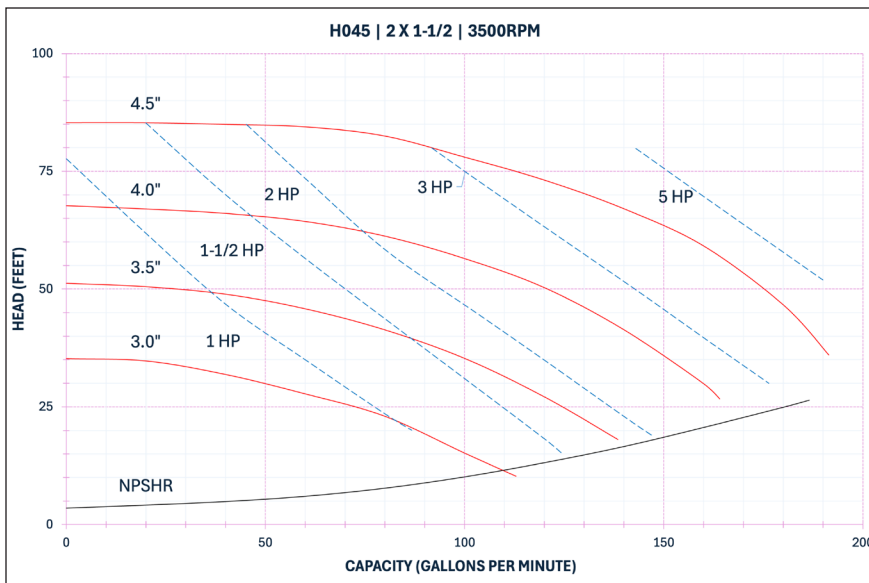
MATERIAL SPECIFICATIONS

PART NAME	STAINLESS STEEL
Casing	316L Stainless
Backplate, Impeller	316L Stainless
Adapter	304 Stainless

1750 RPM



3500 RPM



Curves show approximate characteristics based on clear 68° F water.
Rated point is guaranteed.

H Series pumps have standard stainless steel adapters and Type 1 single mechanical and Type 4 double mechanical seals.

H pumps are in conformance with 3A sanitary standards for centrifugal and positive rotary pumps for milk and milk products, Number 02-10.

H Series pumps have a standard 32RA (150 grit) finish, on all product contact surfaces.

Ampco Centrifugal Pumps

MODEL H045 2 x 1 1/2

Curves show approximate characteristics based on clear 68° water.

Rated point is guaranteed.

Ampco Pumps
Company

2045 West Mill Road
Glendale, Wisconsin 53209
PHONE (414) 643-1852
FAX (414) 643-4452

Ampco Pumps Company

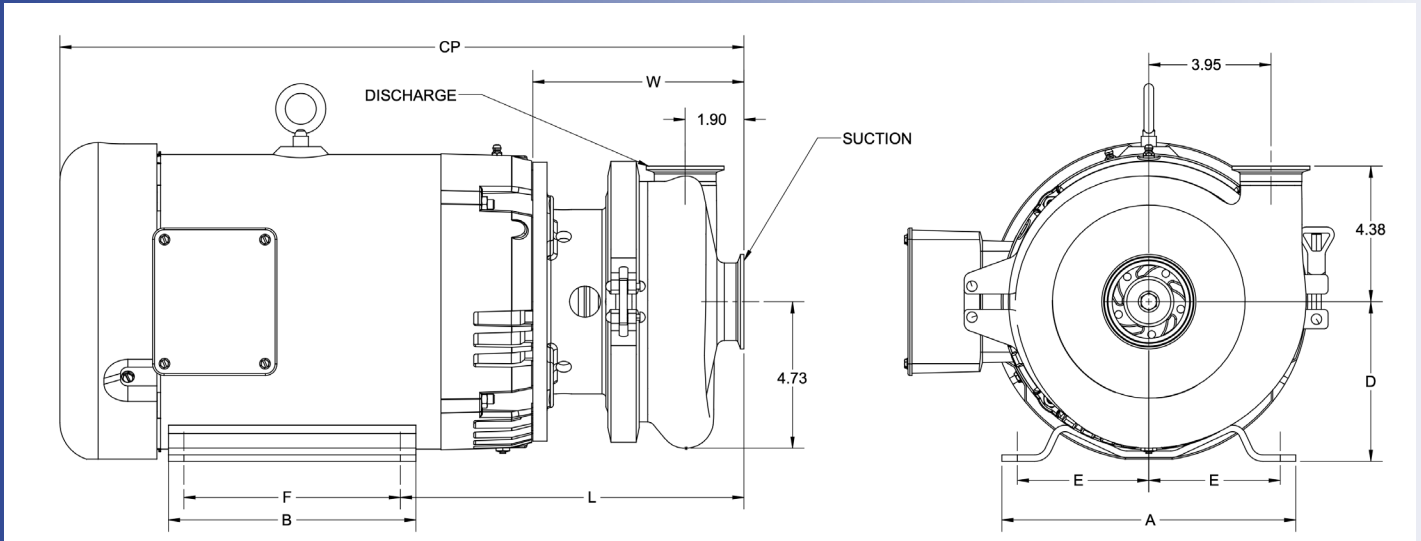


Centrifugal Pumps

DATA SHEET



MODEL H065 2 1/2 x 2



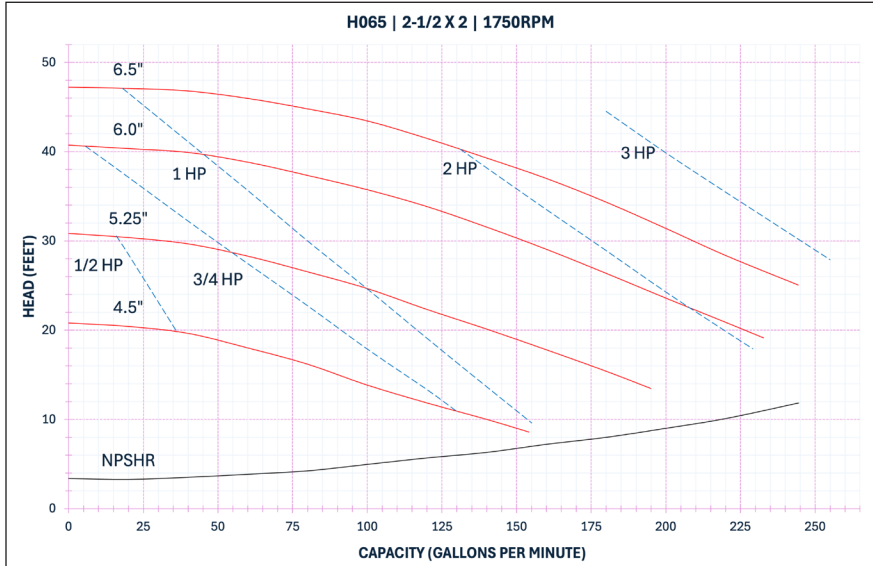
TEFC MOTOR			DIMENSIONS IN MILLIMETERS (For Reference Only)									APPROX WEIGHT (LBS)
HP	RPM	FRAME	A	B	D	E	F	ØH	L	W	CP	
----	----	----	----	----	----	----	----	----	----	----	----	70 (FLUID END)
1	1750	140JM	6.5	6	3.5	2.75	5	.38	9.48	6.60	17.76	80
1.5	1750	140JM	6.5	6	3.5	2.75	5	.38	9.48	6.60	17.76	80
2	1750	140JM	6.5	6	3.5	2.75	5	.38	9.48	6.60	17.76	110
3	1750	180JM	8.63	6.5	4.5	3.75	5.5	.41	10.11	6.60	19.14	140
2	3500	140JM	6.5	6	3.5	2.75	5	.38	9.48	6.60	17.76	85
3	3500	140JM	6.5	6	3.5	2.75	5	.38	9.48	6.60	17.76	90
5	3500	180JM	8.63	6.5	4.25	3.75	5.5	.41	10.11	6.60	19.14	100
7.5	3500	180JM	8.63	6.5	4.25	3.75	5.5	.41	10.11	6.60	19.14	120
10	3500	210JM	9.5	8	5.25	4.25	7	.43	11.11	6.83	22.11	160
15	3500	250JM	11.5	10	6.25	5	10	.53	12.60	7.83	27.64	225
30	3500	280JM	12.25	12.25	6.97	5.5	11	.53	12.62	7.83	31.03	350

MATERIAL SPECIFICATIONS

PART NAME	STAINLESS STEEL
Casing	316L Stainless
Backplate, Impeller	316L Stainless
Adapter	304 Stainless

Ampco Centrifugal Pumps

1750 RPM

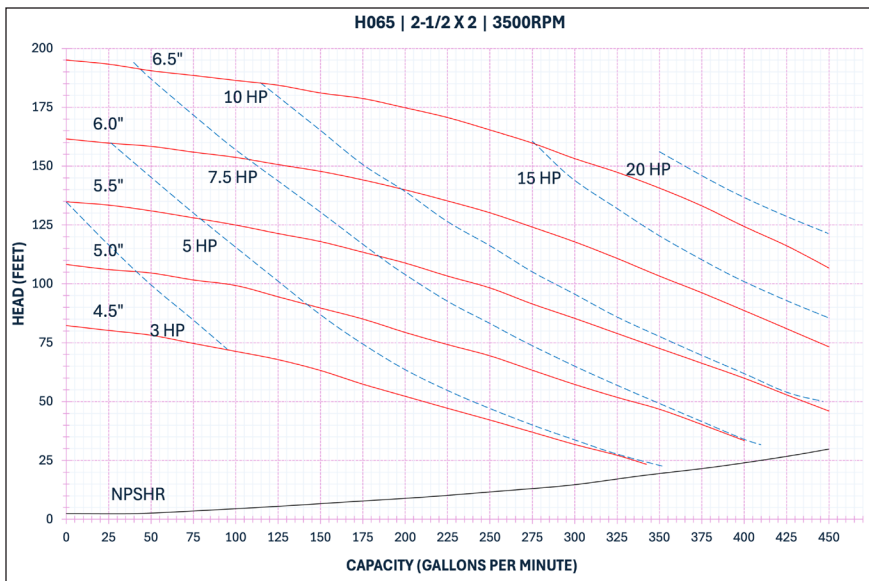


MODEL H065 2 1/2 x 2

Curves show approximate characteristics based on clear 68° water.

Rated point is guaranteed.

3500 RPM



Curves show approximate characteristics based on clear 68° F water.
Rated point is guaranteed.

H Series pumps have standard stainless steel adapters and Type 1 single mechanical and Type 4 double mechanical seals.

H pumps are in conformance with 3A sanitary standards for centrifugal and positive rotary pumps for milk and milk products, Number 02-10.

H Series pumps have a standard 32RA (150 grit) finish, on all product contact surfaces.

Ampco Pumps
Company

2045 West Mill Road
Glendale, Wisconsin 53209
PHONE (414) 643-1852
FAX (414) 643-4452

Ampco Pumps Company

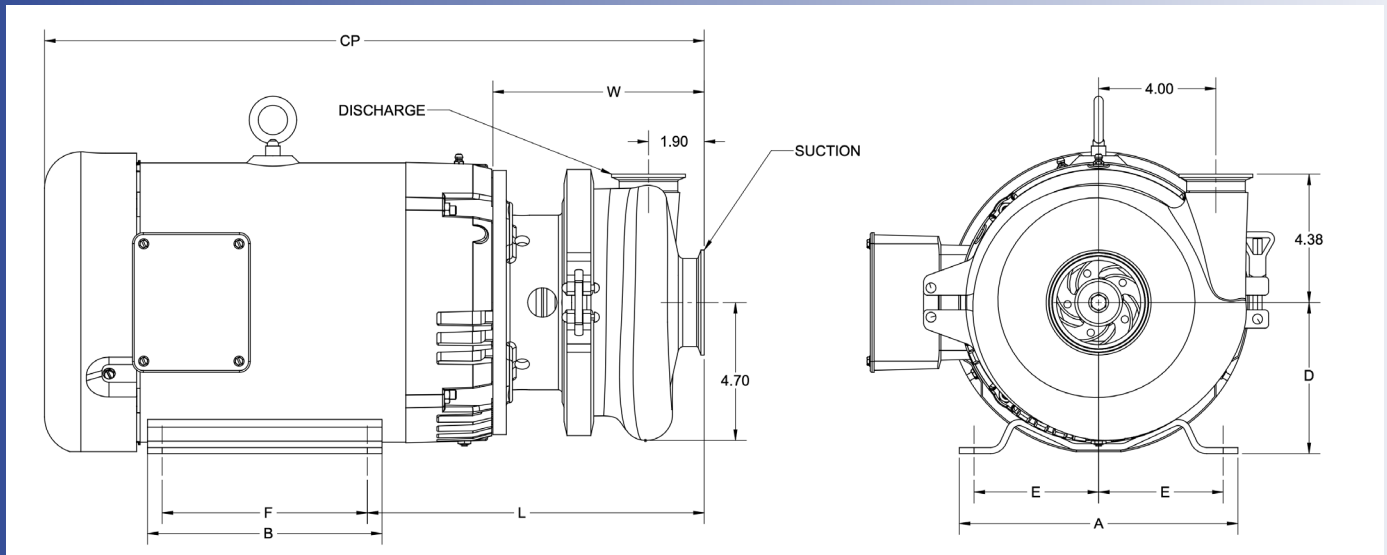


Centrifugal Pumps

DATA SHEET



MODEL H065HV 3 x 2



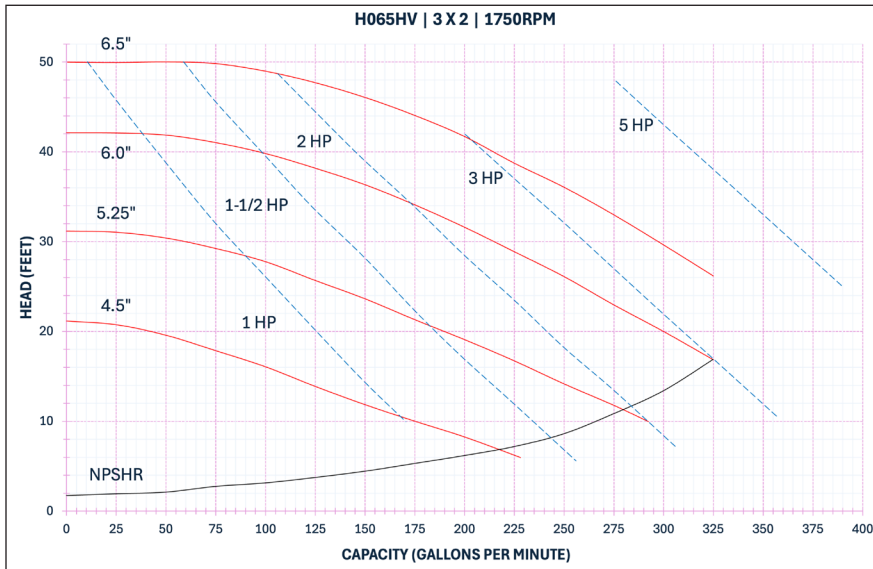
TEFC MOTOR			DIMENSIONS IN MILLIMETERS (For Reference Only)									APPROX WEIGHT (LBS)
HP	RPM	FRAME	A	B	D	E	F	ØH	L	W	CP	
----	----	----	----	----	----	----	----	----	----	----	----	70 (FLUID END)
1	1750	140JM	6.5	6	3.5	2.75	5	.38	9.86	6.99	18.15	80
1.5	1750	140JM	6.5	6	3.5	2.75	5	.38	9.86	6.99	18.15	80
2	1750	140JM	6.5	6	3.5	2.75	5	.38	9.86	6.99	18.15	115
3	1750	180JM	8.63	6.5	4.5	3.75	5.5	.41	10.49	6.99	19.52	140
5	1750	180JM	8.63	6.5	4.5	3.75	5.5	.41	10.49	6.99	19.52	160
2	3500	140JM	6.5	6	3.5	2.75	5	.38	9.86	6.99	18.15	85
3	3500	140JM	6.5	6	3.5	2.75	5	.38	9.86	6.99	18.15	90
5	3500	180JM	8.63	6.5	4.5	3.75	5.5	.41	10.49	6.99	19.52	100
7.5	3500	180JM	8.63	6.5	4.5	3.75	5.5	.41	10.49	6.99	19.52	120
10	3500	210JM	9.5	8	5.25	4.25	7	.43	11.49	7.21	22.50	160
15	3500	250JM	11.5	10	6.25	5	10	.53	12.98	8.21	28.02	225
30	3500	280JM	12.25	12.25	6.97	5.5	11	.53	13.00	8.22	31.38	350

MATERIAL SPECIFICATIONS

PART NAME	STAINLESS STEEL
Casing	316L Stainless
Backplate, Impeller	316L Stainless
Adapter	304 Stainless

Ampco Centrifugal Pumps

1750 RPM

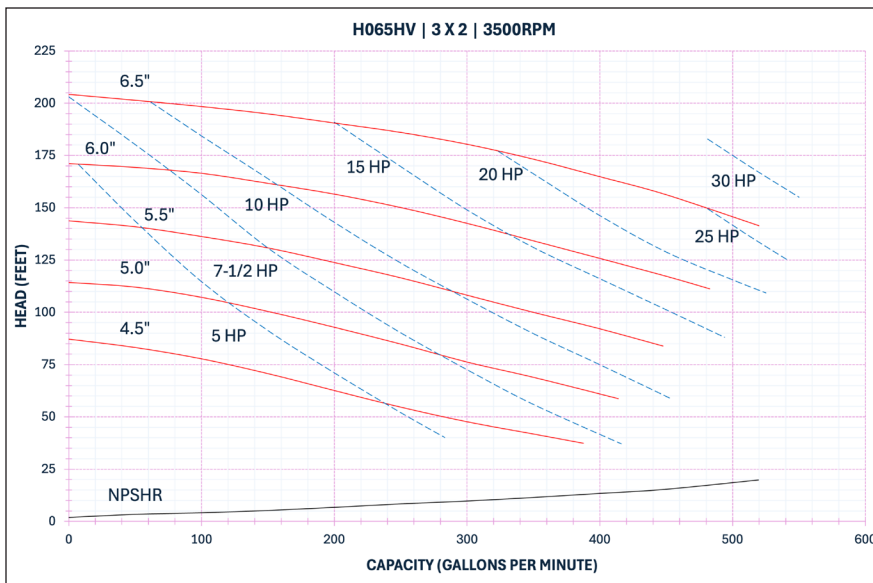


MODEL H065HV 3 x 2

Curves show approximate characteristics based on clear 68° water.

Rated point is guaranteed.

3500 RPM



Curves show approximate characteristics based on clear 68° F water.
Rated point is guaranteed.

H Series pumps have standard stainless steel adapters and Type 1 single mechanical and Type 4 double mechanical seals.

H pumps are in conformance with 3A sanitary standards for centrifugal and positive rotary pumps for milk and milk products, Number 02-10.

H Series pumps have a standard 32RA (150 grit) finish, on all product contact surfaces.

Ampco Pumps
Company

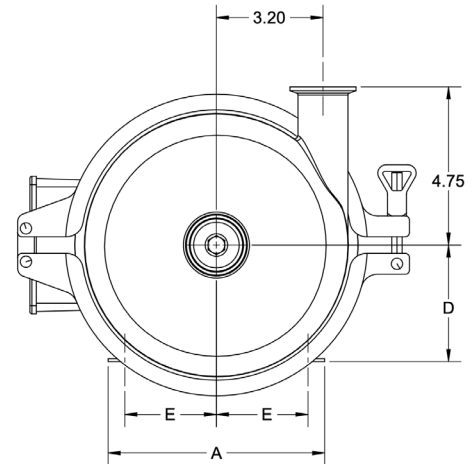
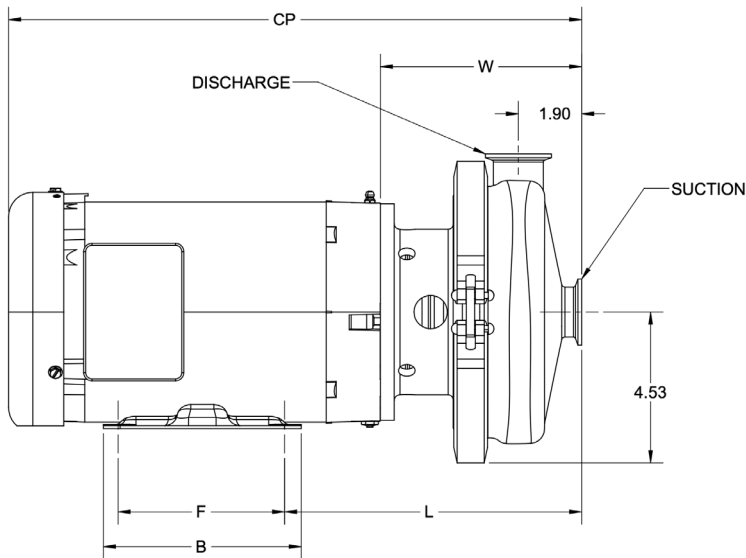
2045 West Mill Road
Glendale, Wisconsin 53209
PHONE (414) 643-1852
FAX (414) 643-4452

Ampco Pumps Company

Centrifugal Pumps

DATA SHEET

MODEL H065LV 2 ½ x 1 ½

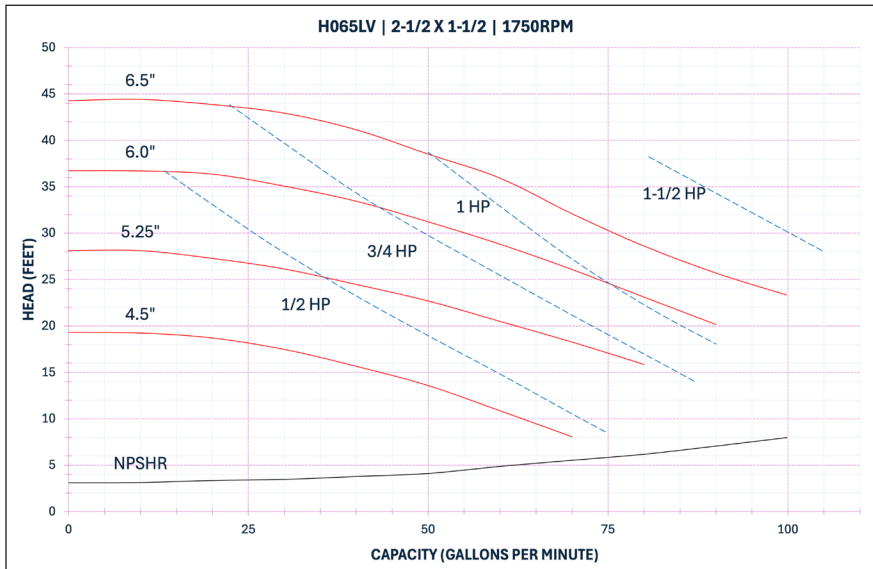


TEFC MOTOR			DIMENSIONS IN MILLIMETERS (For Reference Only)									APPROX WEIGHT (LBS)
HP	RPM	FRAME	A	B	D	E	F	ØH	L	W	CP	
----	----	----	----	----	----	----	----	----	----	----	----	55 (FLUID END)
1	1750	140JM	6.5	6	3.5	2.75	5	.38	8.92	6.04	17.2	95
1.5	1750	140JM	6.5	6	3.5	2.75	5	.38	8.92	6.04	17.2	95
2	3500	140JM	6.5	6	3.5	2.75	5	.38	8.92	6.04	17.2	100
3	3500	140JM	6.5	6	3.5	2.75	5	.38	8.92	6.04	17.2	105
5	3500	180JM	8.63	6.5	4.5	3.75	5.5	.41	10.11	6.04	21.5	115
7.5	3500	180JM	8.63	6.5	4.5	3.75	5.5	.41	10.11	6.04	21.5	135
10	3500	210JM	9.5	8	5.25	4.25	7	.43	10.55	6.27	21.5	175
15	3500	250JM	11.5	10	6.25	5	10	.53	12.04	7.27	27.08	240
30	3500	280JM	12.25	12.25	6.97	5.5	11	.53	12.06	7.27	30.44	365

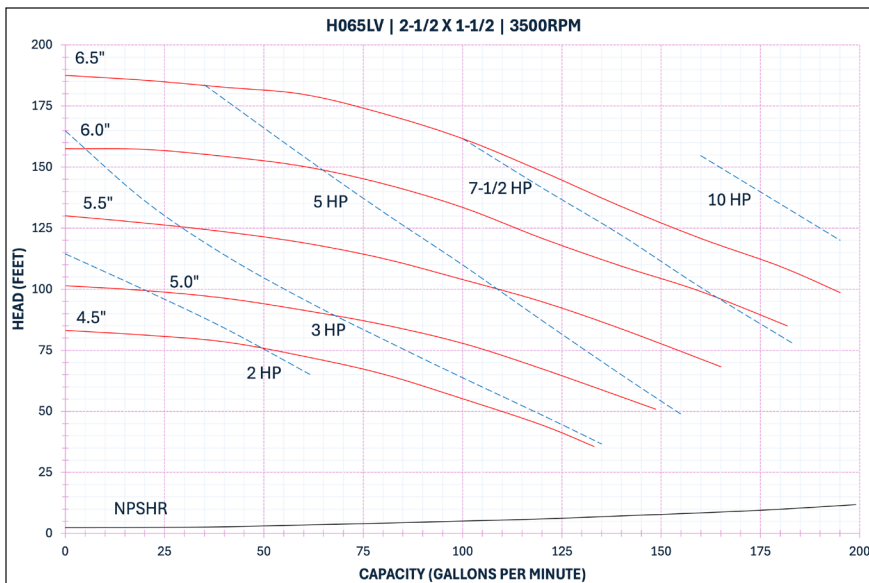
MATERIAL SPECIFICATIONS

PART NAME	STAINLESS STEEL
Casing	316L Stainless
Backplate, Impeller	316L Stainless
Adapter	304 Stainless

1750 RPM



3500 RPM



Curves show approximate characteristics based on clear 68° F water.
Rated point is guaranteed.

H Series pumps have standard stainless steel adapters and Type 1 single mechanical and Type 4 double mechanical seals.

H pumps are in conformance with 3A sanitary standards for centrifugal and positive rotary pumps for milk and milk products, Number 02-10.

H Series pumps have a standard 32RA (150 grit) finish, on all product contact surfaces.

Ampco Centrifugal Pumps

MODEL H065LV 2 ½ x 1 ½

Curves show approximate characteristics based on clear 68° water.

Rated point is guaranteed.

Ampco Pumps
Company

2045 West Mill Road
Glendale, Wisconsin 53209
PHONE (414) 643-1852
FAX (414) 643-4452

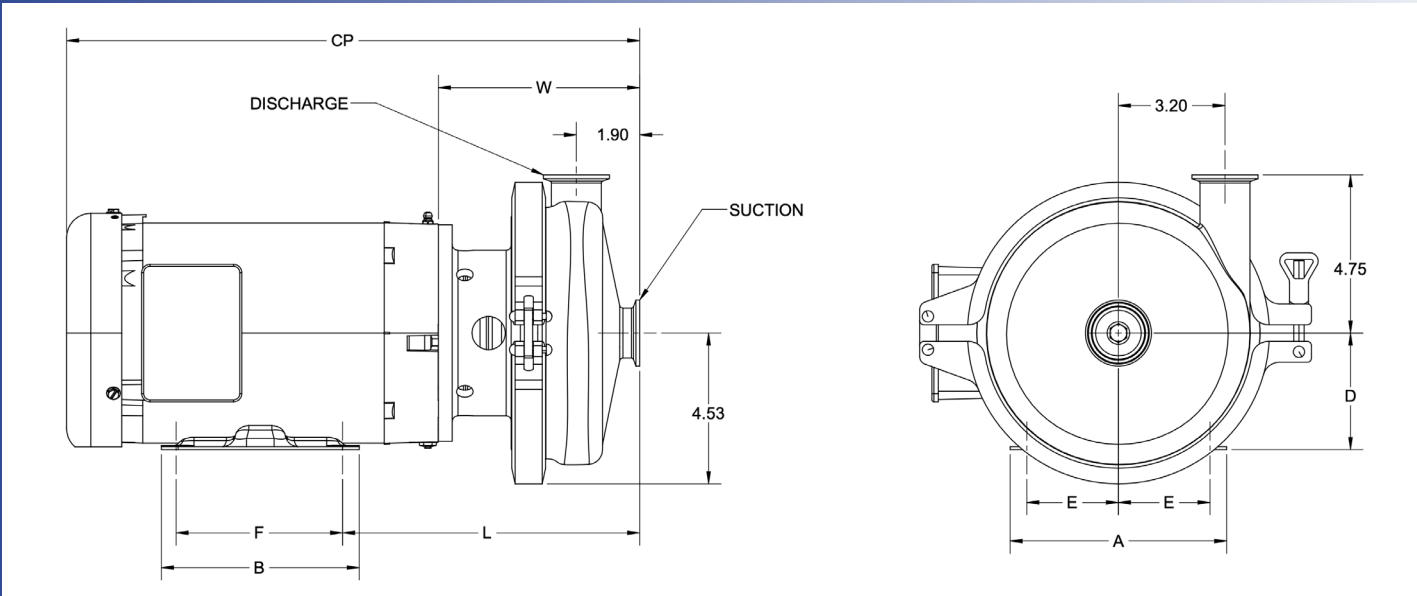


Centrifugal Pumps

DATA SHEET



MODEL H065LV 1 1/2 x 1 1/2

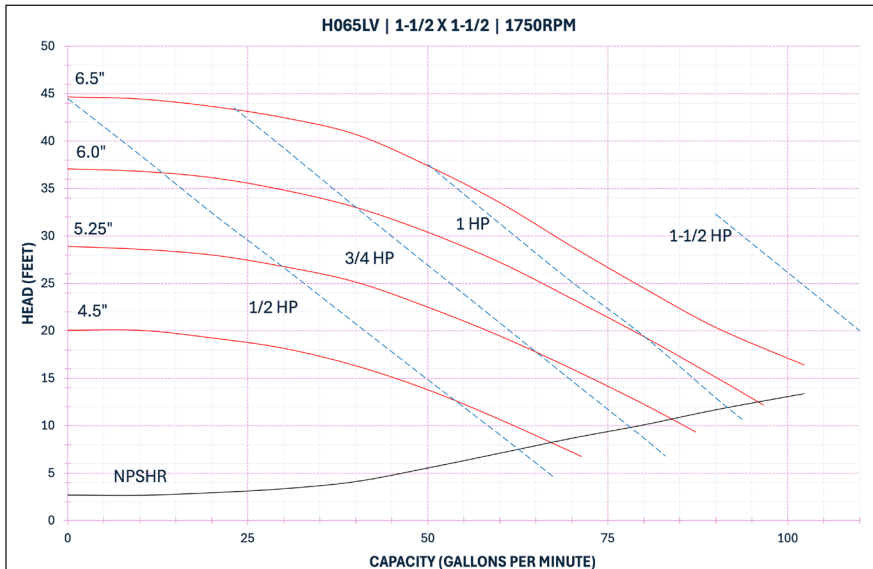


TEFC MOTOR			DIMENSIONS IN MILLIMETERS (For Reference Only)									APPROX WEIGHT (LBS)
HP	RPM	FRAME	A	B	D	E	F	ØH	L	W	CP	
----	----	----	----	----	----	----	----	----	----	----	----	55 (FLUID END)
1	1750	140JM	6.5	6	3.5	2.75	5	.38	8.92	6.04	17.2	95
1.5	1750	140JM	6.5	6	3.5	2.75	5	.38	8.92	6.04	17.2	95
2	3500	140JM	6.5	6	3.5	2.75	5	.38	8.92	6.04	17.2	100
3	3500	140JM	6.5	6	3.5	2.75	5	.38	8.92	6.04	17.2	105
5	3500	180JM	8.63	6.5	4.5	3.75	5.5	.41	10.11	6.04	21.5	115
7.5	3500	180JM	8.63	6.5	4.5	3.75	5.5	.41	10.11	6.04	21.5	135
10	3500	210JM	9.5	8	5.25	4.25	7	.43	10.55	6.27	21.5	175
15	3500	250JM	11.5	10	6.25	5	10	.53	12.04	7.27	27.08	240
30	3500	280JM	12.25	12.25	6.97	5.5	11	.53	12.06	7.27	30.44	365

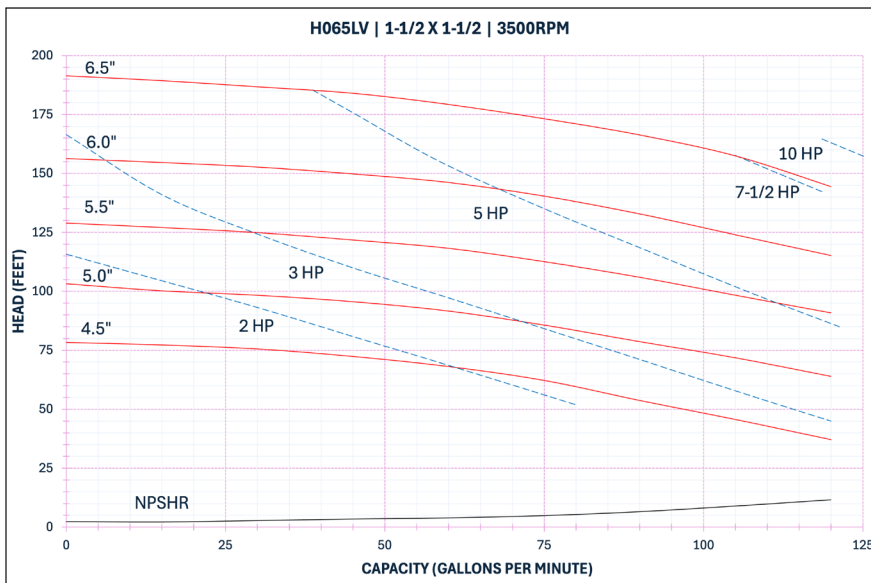
MATERIAL SPECIFICATIONS

PART NAME	STAINLESS STEEL
Casing	316L Stainless
Backplate, Impeller	316L Stainless
Adapter	304 Stainless

1750 RPM



3500 RPM



Curves show approximate characteristics based on clear 68° F water.
Rated point is guaranteed.

H Series pumps have standard stainless steel adapters and Type 1 single mechanical and Type 4 double mechanical seals.

H pumps are in conformance with 3A sanitary standards for centrifugal and positive rotary pumps for milk and milk products, Number 02-10.

H Series pumps have a standard 32RA (150 grit) finish, on all product contact surfaces.

Ampco Centrifugal Pumps

MODEL H065LV 1 ½ x 1 ½

Curves show approximate characteristics based on clear 68° water.

Rated point is guaranteed.

Ampco Pumps
Company

2045 West Mill Road
Glendale, Wisconsin 53209
PHONE (414) 643-1852
FAX (414) 643-4452

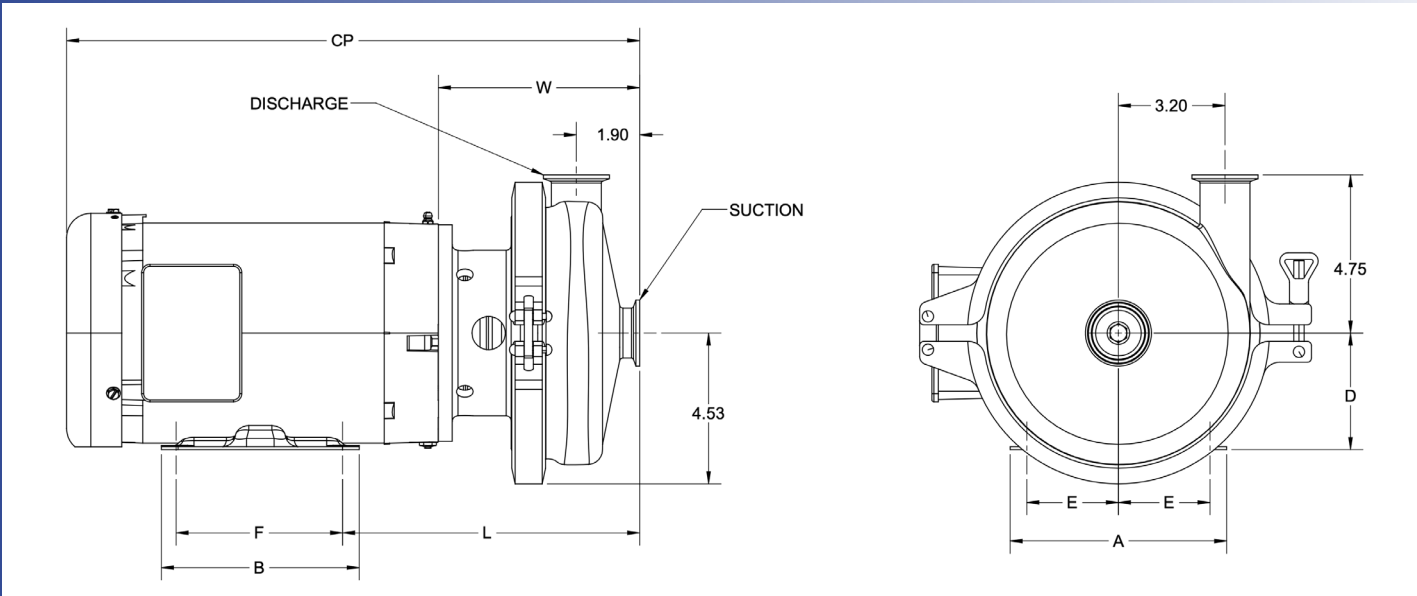


Centrifugal Pumps

DATA SHEET



MODEL H065LV 2 x 1 1/2

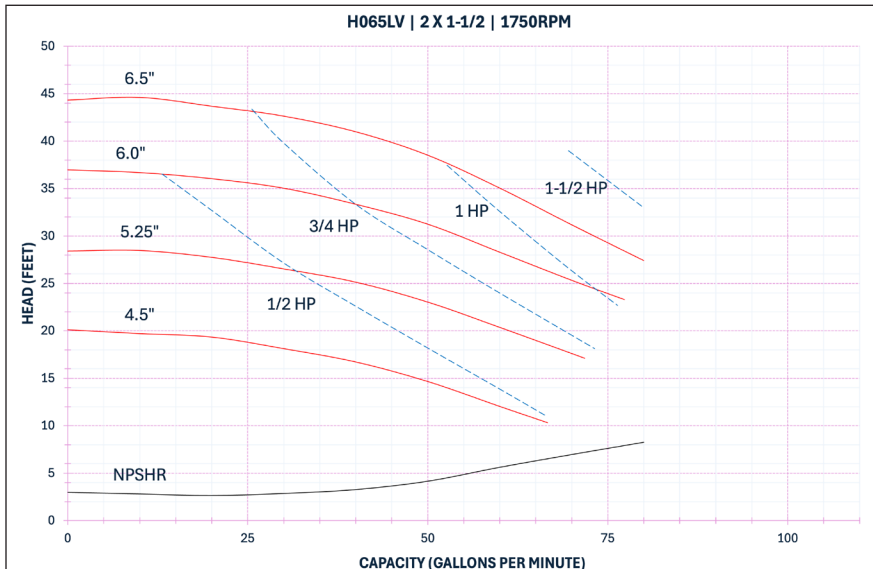


TEFC MOTOR			DIMENSIONS IN MILLIMETERS (For Reference Only)									APPROX WEIGHT (LBS)
HP	RPM	FRAME	A	B	D	E	F	ØH	L	W	CP	
----	----	----	----	----	----	----	----	----	----	----	----	55 (FLUID END)
1	1750	140JM	6.5	6	3.5	2.75	5	.38	8.92	6.04	17.2	95
1.5	1750	140JM	6.5	6	3.5	2.75	5	.38	8.92	6.04	17.2	95
2	3500	140JM	6.5	6	3.5	2.75	5	.38	8.92	6.04	17.2	100
3	3500	140JM	6.5	6	3.5	2.75	5	.38	8.92	6.04	17.2	105
5	3500	180JM	8.63	6.5	4.5	3.75	5.5	.41	10.11	6.04	21.5	115
7.5	3500	180JM	8.63	6.5	4.5	3.75	5.5	.41	10.11	6.04	21.5	135
10	3500	210JM	9.5	8	5.25	4.25	7	.43	10.55	6.27	21.5	175
15	3500	250JM	11.5	10	6.25	5	10	.53	12.04	7.27	27.08	240
30	3500	280JM	12.25	12.25	6.97	5.5	11	.53	12.06	7.27	30.44	365

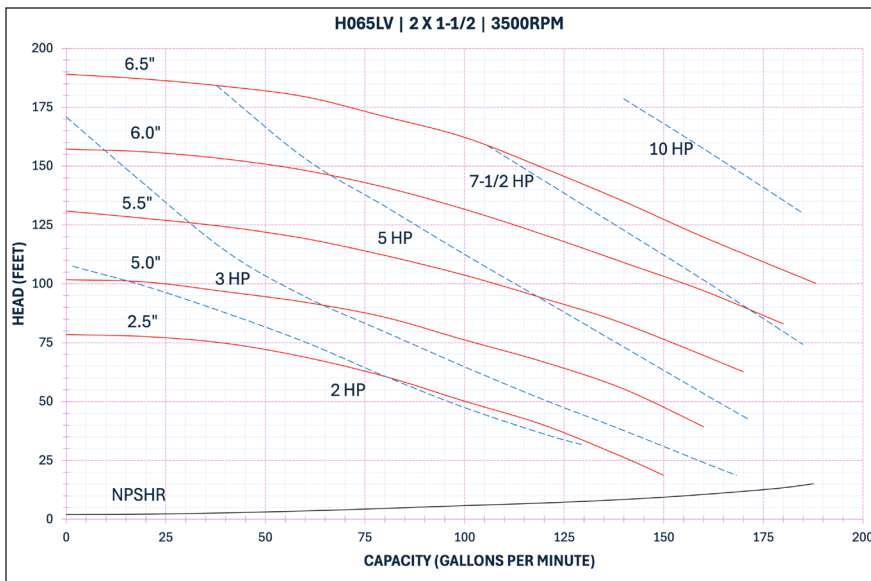
MATERIAL SPECIFICATIONS

PART NAME	STAINLESS STEEL
Casing	316L Stainless
Backplate, Impeller	316L Stainless
Adapter	304 Stainless

1750 RPM



3500 RPM



Curves show approximate characteristics based on clear 68° F water.
Rated point is guaranteed.

H Series pumps have standard stainless steel adapters and Type 1 single mechanical and Type 4 double mechanical seals.

H pumps are in conformance with 3A sanitary standards for centrifugal and positive rotary pumps for milk and milk products, Number 02-10.

H Series pumps have a standard 32RA (150 grit) finish, on all product contact surfaces.

Ampco Centrifugal Pumps

MODEL H065LV 2 x 1 1/2

Curves show approximate characteristics based on clear 68° water.

Rated point is guaranteed.

Ampco Pumps
Company

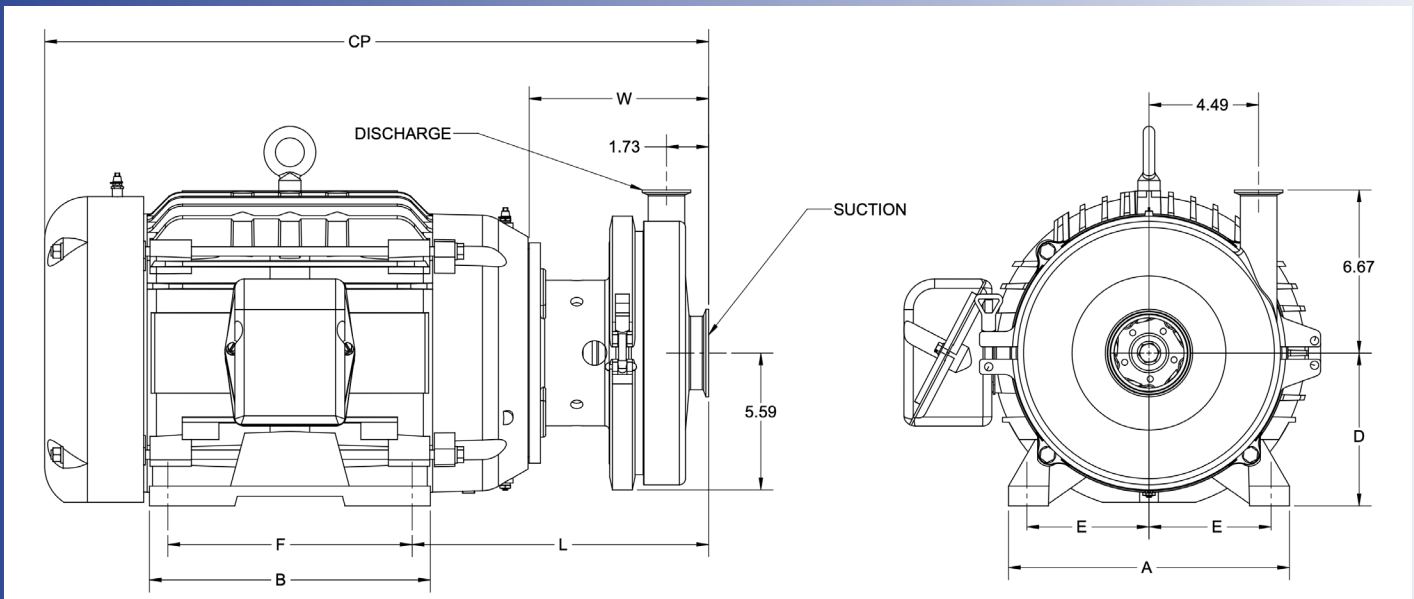
2045 West Mill Road
Glendale, Wisconsin 53209
PHONE (414) 643-1852
FAX (414) 643-4452

Ampco Pumps Company

Centrifugal Pumps

DATA SHEET

MODEL H075 3 x 1 1/2

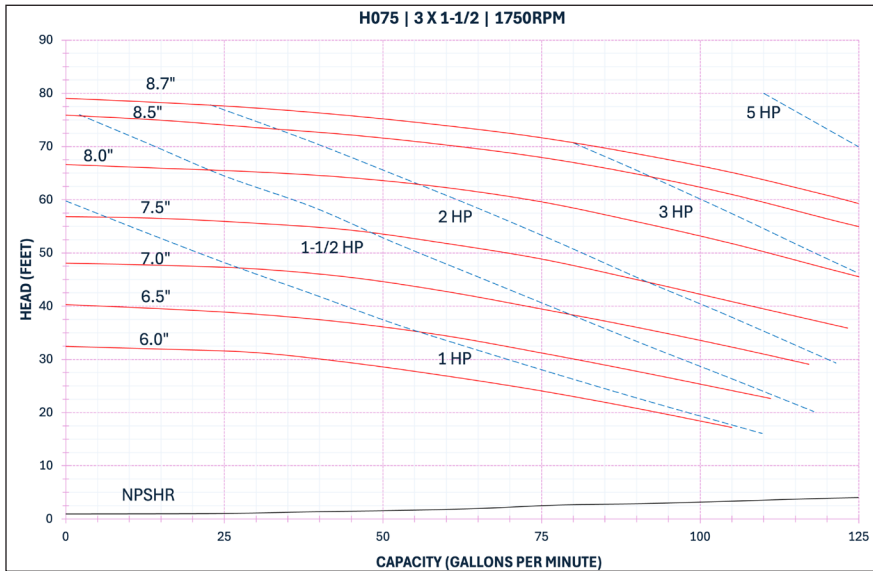


TEFC MOTOR			DIMENSIONS IN MILLIMETERS (For Reference Only)									APPROX WEIGHT (LBS)
HP	RPM	FRAME	A	B	D	E	F	ØH	L	W	CP	
----	----	----	----	----	----	----	----	----	----	----	----	100 (FLUID END)
1	1750	140JM	6.5	6	3.5	2.75	5	.38	9.18	6.30	17.50	140
1.5	1750	140JM	6.5	6	3.5	2.75	5	.38	9.18	6.30	17.50	140
2	1750	140JM	6.5	6	3.5	2.75	5	.38	9.18	6.30	17.50	145
3	1750	180JM	8.63	6.5	4.5	3.75	5.5	.41	9.81	6.30	20.10	170
5	1750	180JM	8.63	6.5	4.5	3.75	5.5	.41	9.81	6.30	20.10	190
5	3500	180JM	8.63	6.5	4.5	3.75	5.5	.41	9.81	6.30	20.10	165
7.5	3500	180JM	8.63	6.5	4.5	3.75	5.5	.41	9.81	6.30	20.10	180
10	3500	210JM	9.5	8	5.25	4.25	7	.43	10.65	6.36	21.66	220
15	3500	250JM	11.5	10	6.25	5	10	.53	12.14	7.35	27.18	235
20	3500	250JM	11.5	10	6.25	5	10	.53	12.14	7.35	27.18	285
25	3500	250JM	11.5	10	6.25	5	10	.53	12.14	7.35	27.18	310
30	3500	280JM	12.25	12.25	6.97	5.5	11	.53	12.14	7.36	30.58	400
40	3500	280JM	12.25	12.25	6.97	5.5	11	.53	12.14	7.36	30.58	420

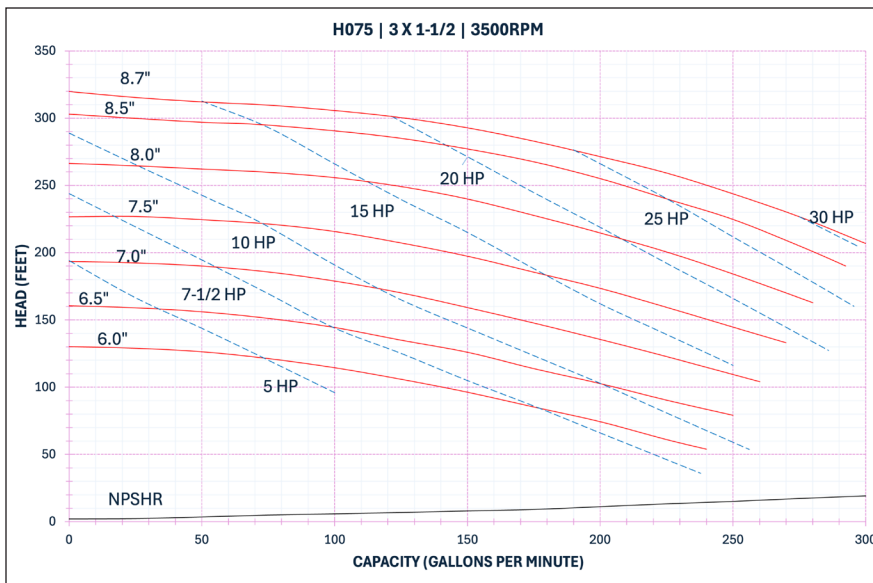
MATERIAL SPECIFICATIONS

PART NAME	STAINLESS STEEL
Casing	316L Stainless
Backplate, Impeller	316L Stainless
Adapter	304 Stainless

1750 RPM



3500 RPM



Curves show approximate characteristics based on clear 68° F water.
Rated point is guaranteed.

H Series pumps have standard stainless steel adapters and Type 1 single mechanical and Type 4 double mechanical seals.

H pumps are in conformance with 3A sanitary standards for centrifugal and positive rotary pumps for milk and milk products, Number 02-10.

H Series pumps have a standard 32RA (150 grit) finish, on all product contact surfaces.

Ampco Centrifugal Pumps

MODEL H075 3 x 1 ½

Curves show approximate characteristics based on clear 68° water.

Rated point is guaranteed.

Ampco Pumps
Company

2045 West Mill Road
Glendale, Wisconsin 53209
PHONE (414) 643-1852
FAX (414) 643-4452

Ampco Pumps Company

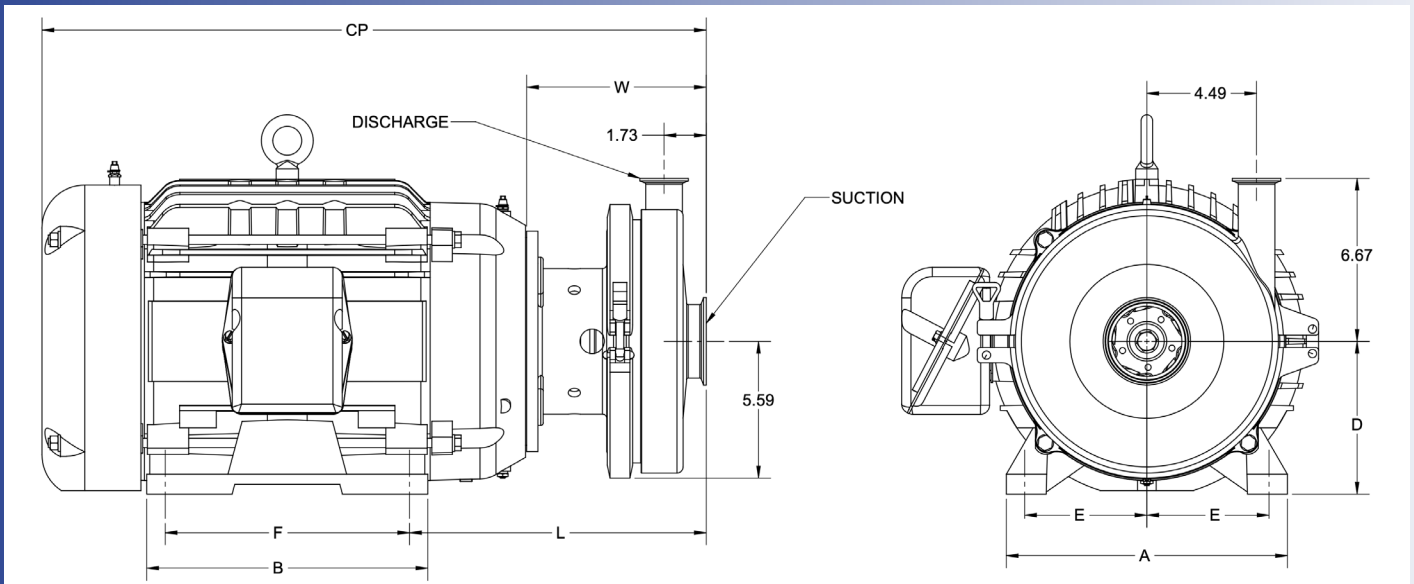


Centrifugal Pumps

DATA SHEET



MODEL H085 3 x 2 1/2



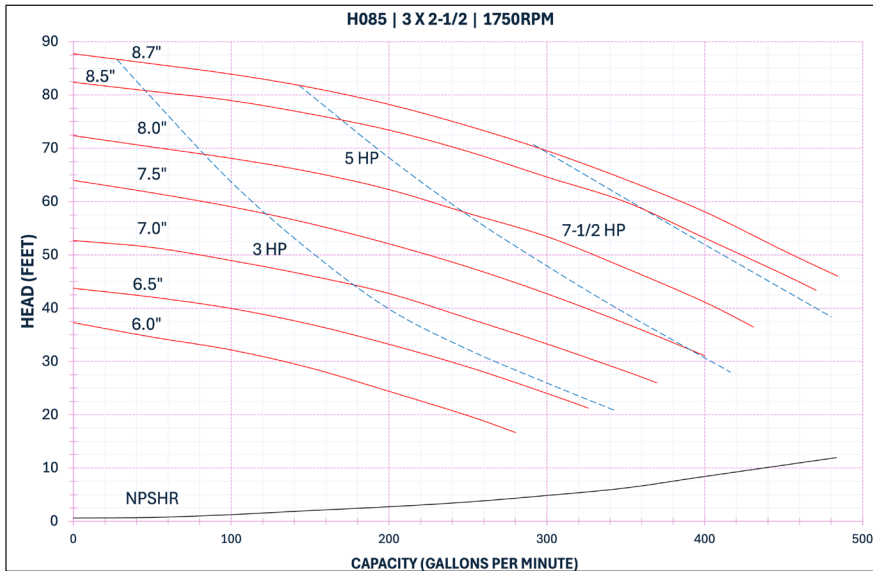
TEFC MOTOR			DIMENSIONS IN MILLIMETERS (For Reference Only)									APPROX WEIGHT (LBS)
HP	RPM	FRAME	A	B	D	E	F	ØH	L	W	CP	
----	----	----	----	----	----	----	----	----	----	----	----	100 (FLUID END)
1	1750	140JM	6.5	5.94	3.5	2.75	5	.38	10.36	7.48	18.65	130
3	1750	180JM	8.63	6.50	4.47	3.75	5.5	.41	10.99	7.48	21.28	166
5	1750	180JM	8.63	6.50	4.47	3.75	5.5	.41	10.99	7.48	21.28	166
7.5	1750	210JM	9.50	8	5.15	4.75	7	.43	11.84	7.54	23.97	214
10	1750	210JM	9.50	8	5.15	4.75	7	.43	11.84	7.54	23.97	214
10	3500	210JM	9.50	8	5.15	4.75	7	.43	11.84	7.54	23.97	214
15	3500	210JM	9.50	8	5.15	4.75	7	.43	11.84	7.54	23.97	214
20	3500	250JM	11.50	11.50	6.25	5	10	.53	13.32	8.53	28.36	349
25	3500	250JM	11.50	11.50	6.25	5	10	.53	13.32	8.53	28.36	349
30	3500	280JM	12.75	12.84	7	5.5	11	.53	13.28	8.50	31.66	519
40	3500	280JM	12.75	12.84	7	5.5	11	.53	13.28	8.50	31.66	519
50	3500	320JM	14.50	14	8	6.25	12	.66	13.77	8.50	33.55	703
60	3500	320JM	14.50	14	8	6.25	12	.66	13.77	8.50	33.55	703

MATERIAL SPECIFICATIONS

PART NAME	STAINLESS STEEL
Casing	316L Stainless
Backplate, Impeller, Stub Shaft	316L Stainless
Adapter	304 Stainless

Ampco Centrifugal Pumps

1750 RPM

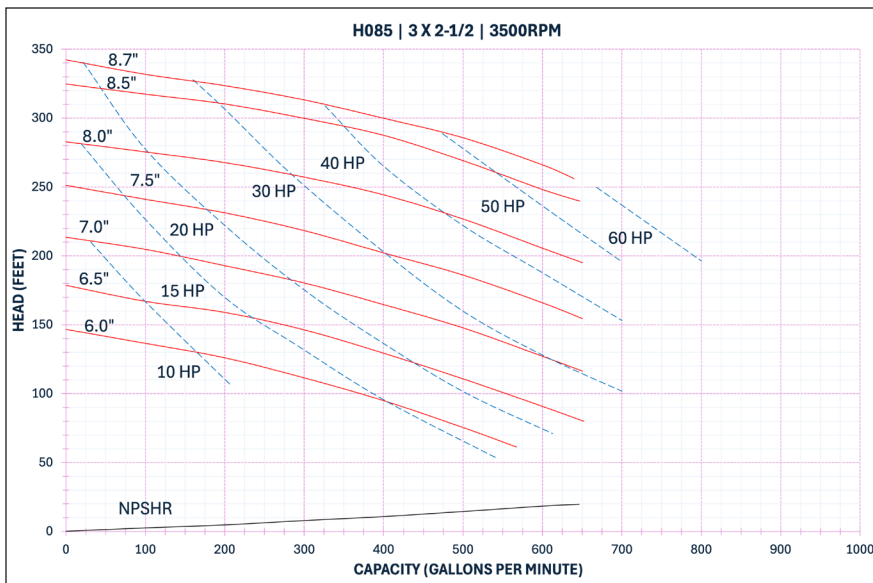


MODEL H085 3 x 2 1/2

Curves show approximate characteristics based on clear 68° water.

Rated point is guaranteed.

3500 RPM



Curves show approximate characteristics based on clear 68° F water.
Rated point is guaranteed.

H Series pumps have standard stainless steel adapters and Type 1 single mechanical and Type 4 double mechanical seals.

H pumps are in conformance with 3A sanitary standards for centrifugal and positive rotary pumps for milk and milk products, Number 02-10.

H Series pumps have a standard 32RA (150 grit) finish, on all product contact surfaces.

Ampco Pumps
Company

2045 West Mill Road
Glendale, Wisconsin 53209
PHONE (414) 643-1852
FAX (414) 643-4452

Ampco Pumps Company

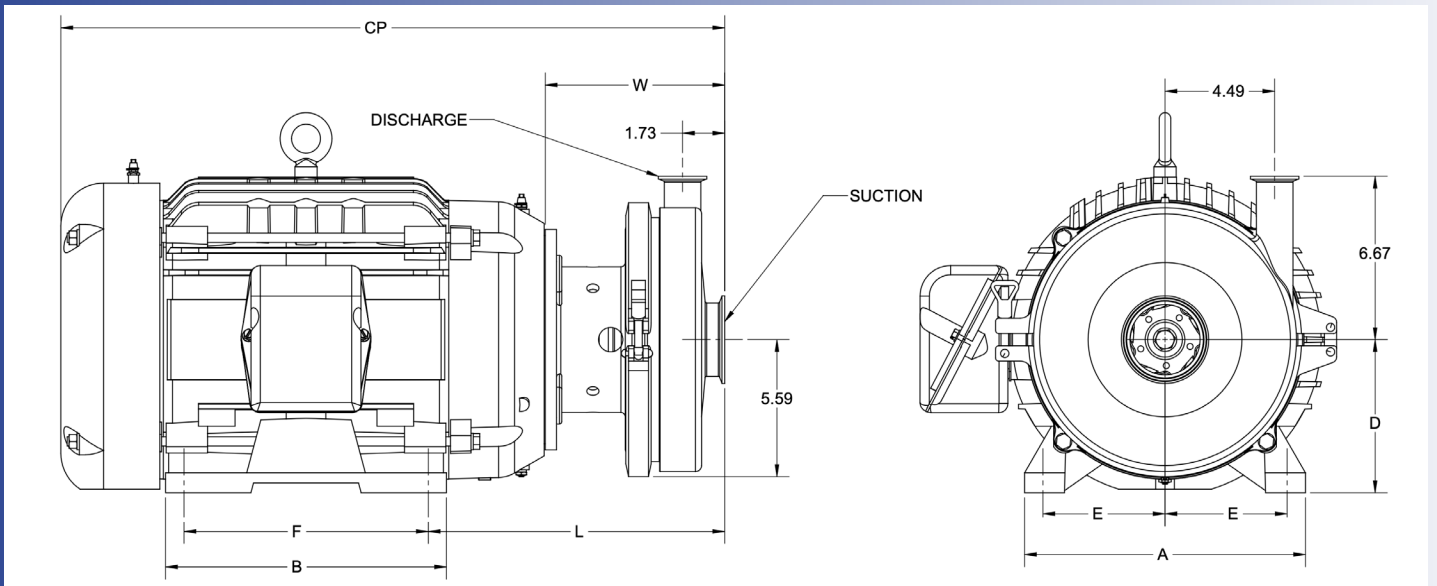


Centrifugal Pumps

DATA SHEET



MODEL H085 4 x 2 1/2



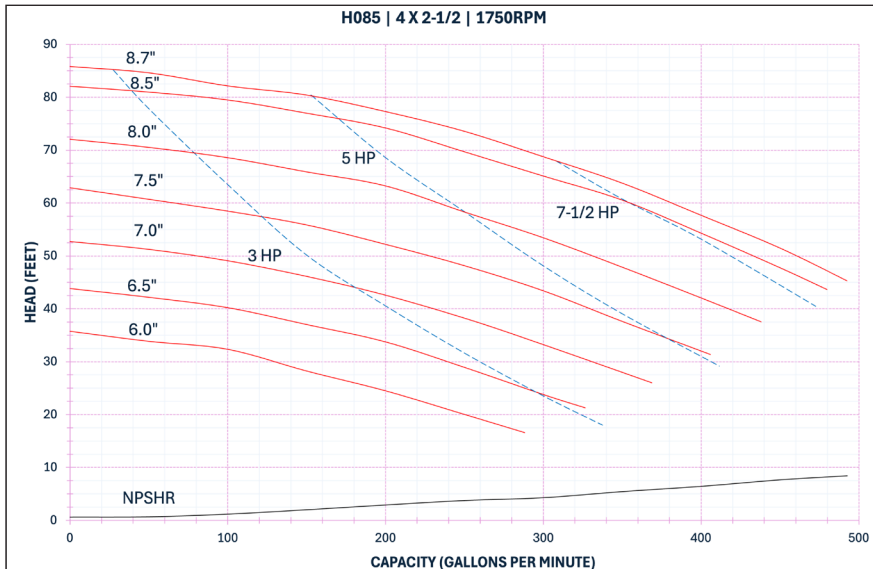
TEFC MOTOR			DIMENSIONS IN MILLIMETERS (For Reference Only)									APPROX WEIGHT (LBS)
HP	RPM	FRAME	A	B	D	E	F	ØH	L	W	CP	
----	----	----	----	----	----	----	----	----	----	----	----	100 (FLUID END)
1	1750	140JM	6.5	5.94	3.5	2.75	5	.38	9.88	7	18.17	130
3	1750	180JM	8.63	6.50	4.47	3.75	5.5	.41	10.51	7	20.80	166
5	1750	180JM	8.63	6.50	4.47	3.75	5.5	.41	10.51	7	20.80	166
7.5	1750	210JM	9.50	8	5.15	4.75	7	.43	11.36	7.04	23.49	214
10	1750	210JM	9.50	8	5.15	4.75	7	.43	11.36	7.04	23.49	214
10	3500	210JM	9.50	8	5.15	4.75	7	.43	11.36	7.04	23.49	214
15	3500	210JM	9.50	8	5.15	4.75	7	.43	11.36	7.04	23.49	214
20	3500	250JM	11.50	11.50	6.25	5	10	.53	12.84	8.05	27.88	349
25	3500	250JM	11.50	11.50	6.25	5	10	.53	12.84	8.05	27.88	349
30	3500	280JM	12.75	12.84	7	5.5	11	.53	12.80	8.02	31.18	519
40	3500	280JM	12.75	12.84	7	5.5	11	.53	12.80	8.02	31.18	519
50	3500	320JM	14.50	14	8	6.25	12	.66	13.29	8.02	33.07	703
60	3500	320JM	14.50	14	8	6.25	12	.66	13.29	8.02	33.07	703

MATERIAL SPECIFICATIONS

PART NAME	STAINLESS STEEL
Casing	316L Stainless
Backplate, Impeller, Stub Shaft	316L Stainless
Adapter	304 Stainless

Ampco Centrifugal Pumps

1750 RPM

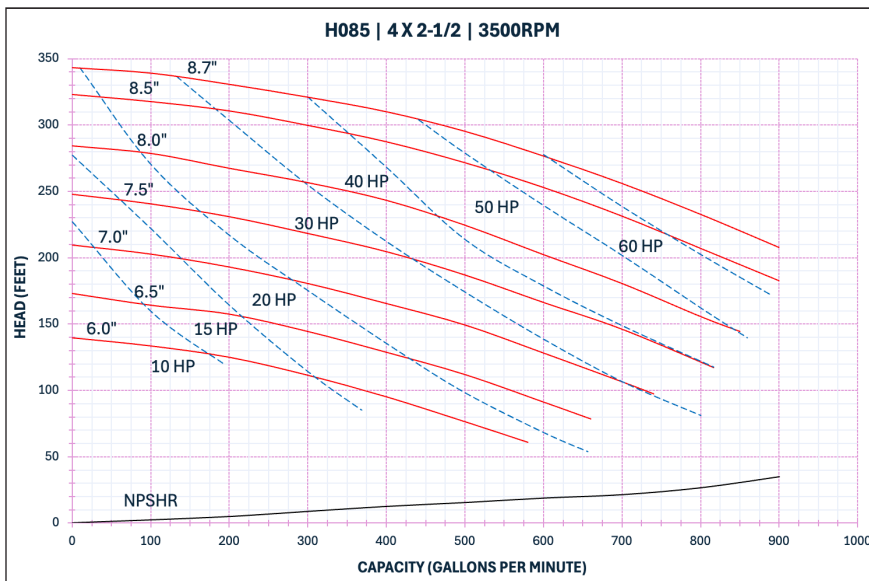


MODEL H085 4 x 2 1/2

Curves show approximate characteristics based on clear 68° water.

Rated point is guaranteed.

3500 RPM



Curves show approximate characteristics based on clear 68° F water.
Rated point is guaranteed.

H Series pumps have standard stainless steel adapters and Type 1 single mechanical and Type 4 double mechanical seals.

H pumps are in conformance with 3A sanitary standards for centrifugal and positive rotary pumps for milk and milk products, Number 02-10.

H Series pumps have a standard 32RA (150 grit) finish, on all product contact surfaces.

Ampco Pumps
Company

2045 West Mill Road
Glendale, Wisconsin 53209
PHONE (414) 643-1852
FAX (414) 643-4452

Ampco Pumps Company

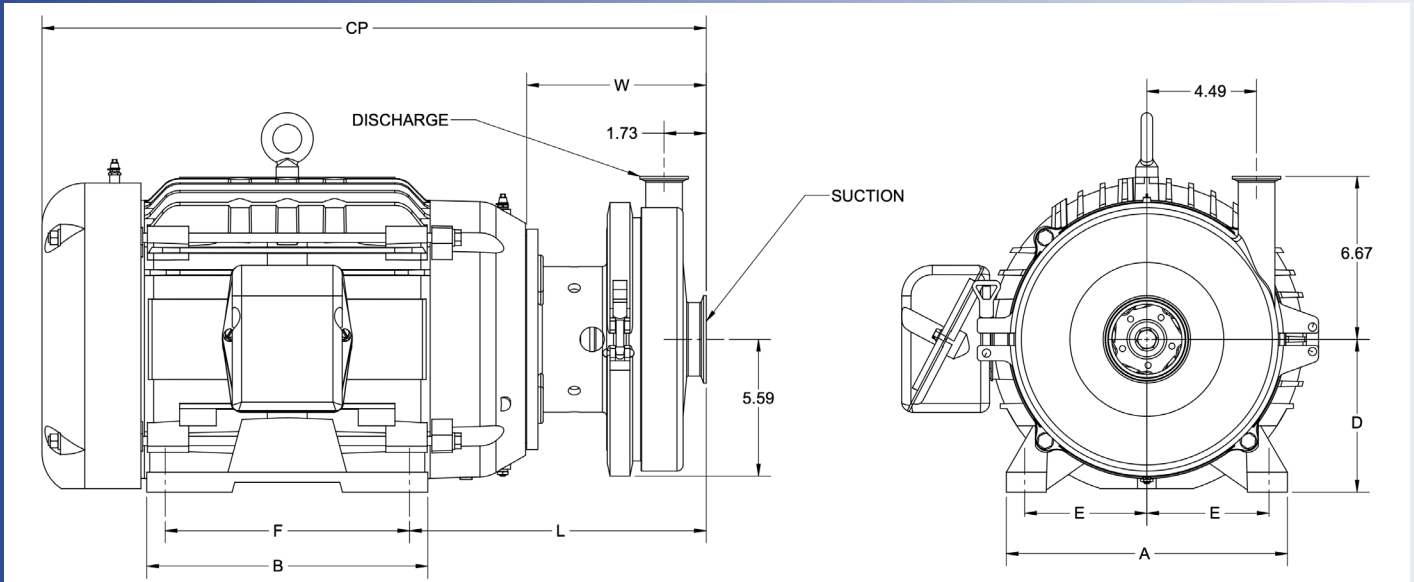


Centrifugal Pumps

DATA SHEET



MODEL H085 LV 2 x 1 1/2

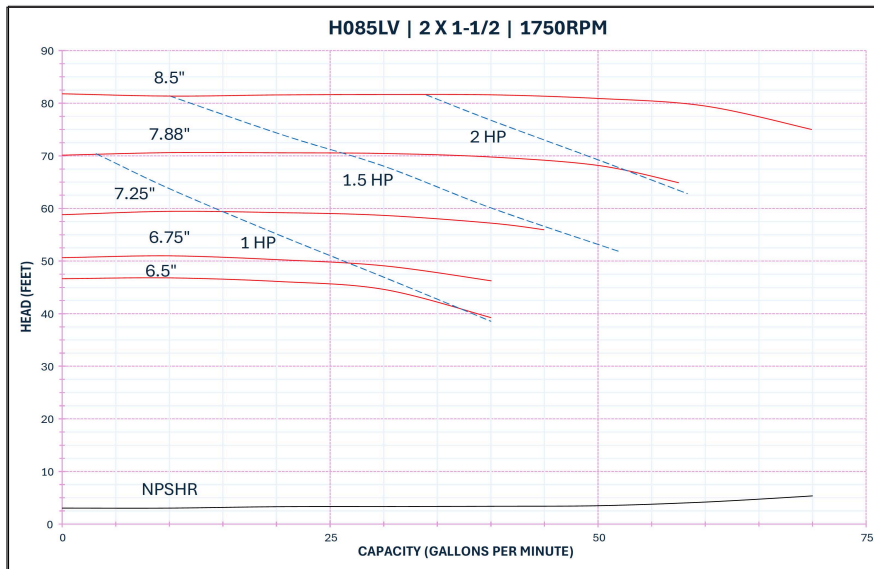


TEFC MOTOR			DIMENSIONS IN MILLIMETERS (For Reference Only)									APPROX WEIGHT (LBS)
HP	RPM	FRAME	A	B	D	E	F	ØH	L	W	CP	
----	----	----	----	----	----	----	----	----	----	----	----	100 (FLUID END)
1	1750	140JM	6.5	6	3.5	2.75	5	.38	9.18	6.30	17.50	140
1.5	1750	140JM	6.5	6	3.5	2.75	5	.38	9.18	6.30	17.50	140
2	1750	140JM	6.5	6	3.5	2.75	5	.38	9.18	6.30	17.50	145
3	1750	180JM	8.63	6.5	4.5	3.75	5.5	.41	9.81	6.30	20.10	170
5	3500	180JM	8.63	6.5	4.5	3.75	5.5	.41	9.81	6.30	20.10	165
7.5	3500	180JM	8.63	6.5	4.5	3.75	5.5	.41	9.81	6.30	20.10	180
10	3500	210JM	9.5	8	5.25	4.25	7	.43	10.65	6.36	21.66	220
15	3500	250JM	11.5	10	6.25	5	10	.53	12.14	7.35	27.18	235
20	3500	250JM	11.5	10	6.25	5	10	.53	12.14	7.35	27.18	285
30	3500	280JM	12.25	12.25	6.97	5.5	11	.53	12.14	7.36	30.58	400

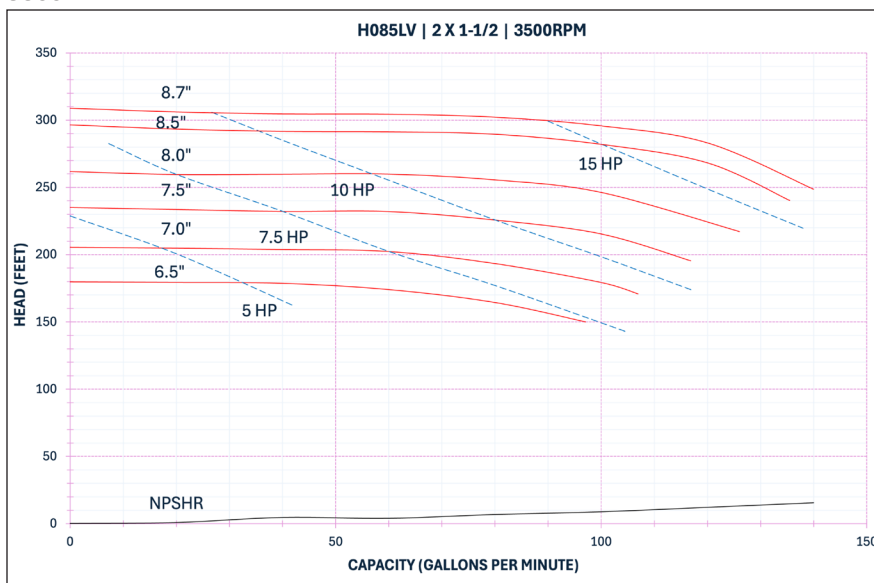
MATERIAL SPECIFICATIONS

PART NAME	STAINLESS STEEL
Casing	316L Stainless
Backplate, Impeller	316L Stainless
Adapter	304 Stainless

1750 RPM



3500 RPM



Curves show approximate characteristics based on clear 68° F water.
Rated point is guaranteed.

H Series pumps have standard stainless steel adapters and Type 1 single mechanical and Type 4 double mechanical seals.

H pumps are in conformance with 3A sanitary standards for centrifugal and positive rotary pumps for milk and milk products, Number 02-10.

H Series pumps have a standard 32RA (150 grit) finish, on all product contact surfaces.

Ampco Centrifugal Pumps

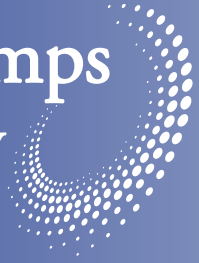
MODEL H085 LV 2 x 1 1/2

Curves show approximate characteristics based on clear 68° water.

Rated point is guaranteed.

Ampco Pumps
Company

2045 West Mill Road
Glendale, Wisconsin 53209
PHONE (414) 643-1852
FAX (414) 643-4452

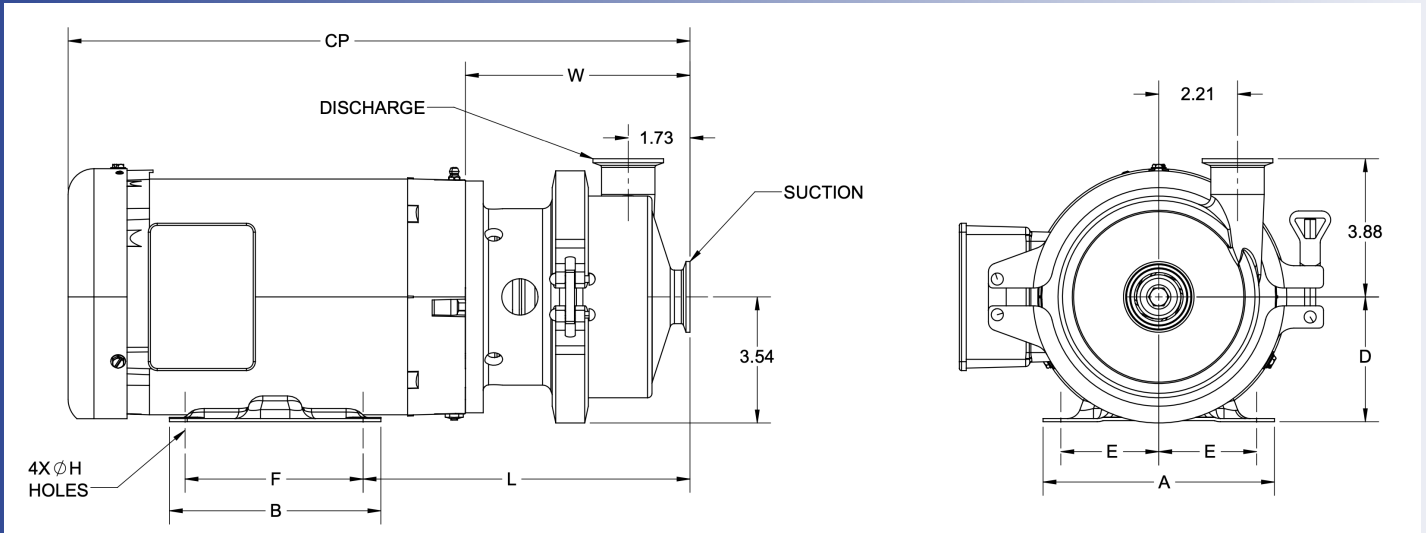


Centrifugal Pumps

DATA SHEET



MODEL H105 4 x 4

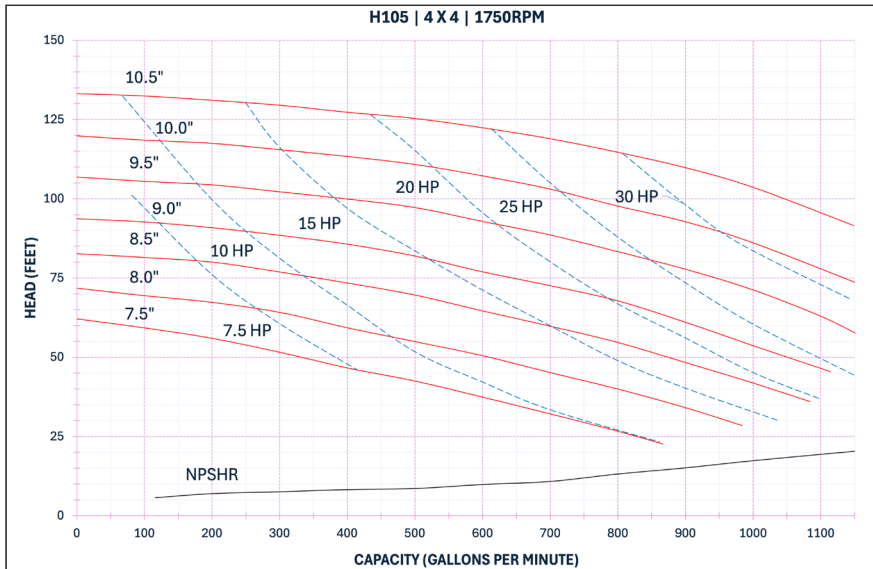


TEFC MOTOR			DIMENSIONS IN MILLIMETERS (For Reference Only)									APPROX WEIGHT (LBS)
HP	RPM	FRAME	A	B	D	E	F	ØH	L	W	CP	
----	----	----	----	----	----	----	----	----	----	----	----	150 (FLUID END)
2	1750	140JM	6.5	6	3.5	2.75	5	.38	11.14	8.26	19.42	200
7.5	1750	210JM	9.50	8	5.15	4.25	7	.43	12.76	8.48	23.77	285
10	1750	210JM	9.50	8	5.15	4.25	7	.43	12.76	8.48	23.77	285
15	1750	250JM	11.50	11.50	6.25	5	10	.53	14.25	9.48	29.29	480
20	1750	250JM	11.50	11.50	6.25	5	10	.53	14.25	9.48	29.29	480
25	1750	280JM	12.75	12.84	7	5.5	11	.53	14.26	9.48	32.69	592
30	1750	280JM	12.75	12.84	7	5.5	11	.53	14.26	9.48	32.69	592
40	1750	320JM	14.50	14	8	6.25	12	.66	14.76	9.48	34.54	756

MATERIAL SPECIFICATIONS

PART NAME	STAINLESS STEEL
Casing	316L Stainless
Backplate, Impeller	316L Stainless
Adapter	304 Stainless

1750 RPM



Curves show approximate characteristics based on clear 68° F water. Rated point is guaranteed.

H Series pumps have standard stainless steel adapters and Type 1 single mechanical and Type 4 double mechanical seals.

H pumps are in conformance with 3A sanitary standards for centrifugal and positive rotary pumps for milk and milk products, Number 02-10.

H Series pumps have a standard 32RA (150 grit) finish, on all product contact surfaces.

Ampco Centrifugal Pumps

MODEL H105 4 x 4

Curves show approximate characteristics based on clear 68° water.

Rated point is guaranteed.

Ampco Pumps
Company



2045 West Mill Road
Glendale, Wisconsin 53209
PHONE (414) 643-1852
FAX (414) 643-4452

Ampco Pumps Company

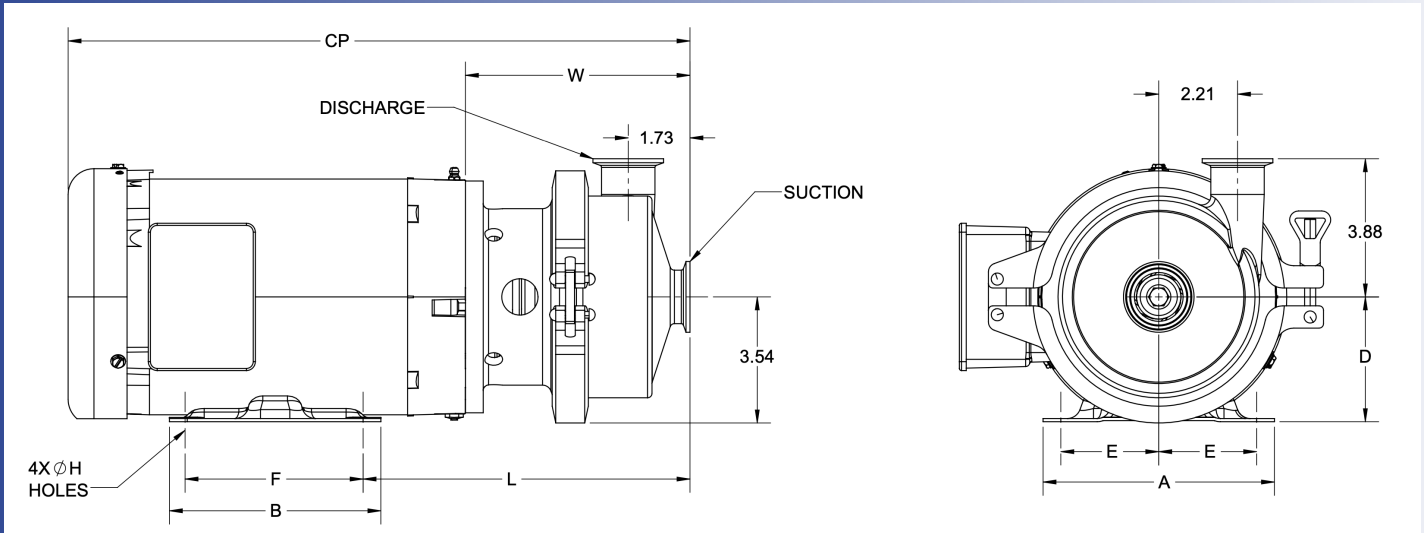


Centrifugal Pumps

DATA SHEET



MODEL H105 6 x 4

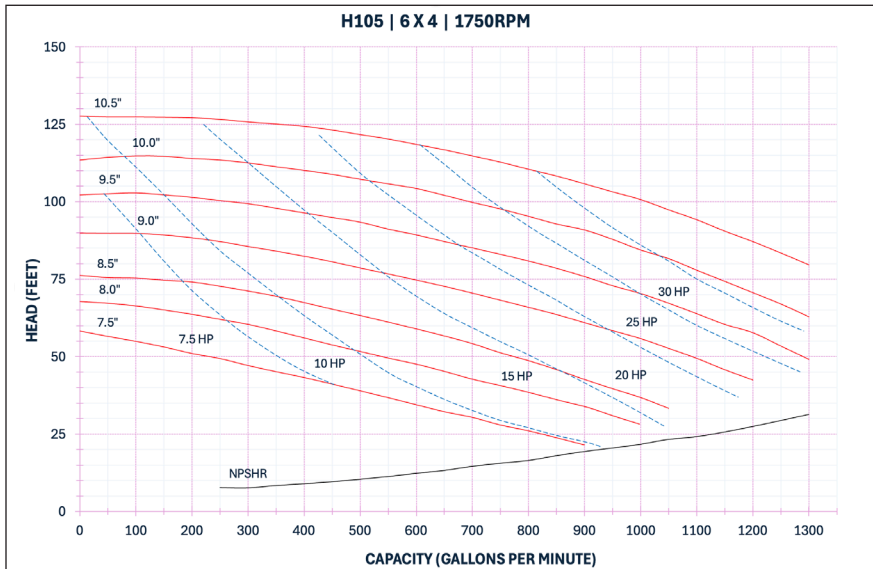


TEFC MOTOR			DIMENSIONS IN MILLIMETERS (For Reference Only)									APPROX WEIGHT (LBS)
HP	RPM	FRAME	A	B	D	E	F	ØH	L	W	CP	
----	----	----	----	----	----	----	----	----	----	----	----	150 (FLUID END)
2	1750	140JM	6.5	6	3.5	2.75	5	.38	11.14	8.26	19.42	200
7.5	1750	210JM	9.50	8	5.15	4.25	7	.43	12.76	8.48	23.77	285
10	1750	210JM	9.50	8	5.15	4.25	7	.43	12.76	8.48	23.77	285
15	1750	250JM	11.50	11.50	6.25	5	10	.53	14.25	9.48	29.29	480
20	1750	250JM	11.50	11.50	6.25	5	10	.53	14.25	9.48	29.29	480
25	1750	280JM	12.75	12.84	7	5.5	11	.53	14.26	9.48	32.69	592
30	1750	280JM	12.75	12.84	7	5.5	11	.53	14.26	9.48	32.69	592
40	1750	320JM	14.50	14	8	6.25	12	.66	14.76	9.48	34.54	756

MATERIAL SPECIFICATIONS

PART NAME	STAINLESS STEEL
Casing	316L Stainless
Backplate, Impeller	316L Stainless
Adapter	304 Stainless

1750 RPM



Curves show approximate characteristics based on clear 68° F water.
Rated point is guaranteed.

H Series pumps have standard stainless steel adapters and Type 1 single mechanical and Type 4 double mechanical seals.

H pumps are in conformance with 3A sanitary standards for centrifugal and positive rotary pumps for milk and milk products, Number 02-10.

H Series pumps have a standard 32RA (150 grit) finish, on all product contact surfaces.

Ampco Centrifugal Pumps

MODEL H105 6 x 4

Curves show approximate characteristics based on clear 68° water.

Rated point is guaranteed.

Ampco Pumps
Company



2045 West Mill Road
Glendale, Wisconsin 53209
PHONE (414) 643-1852
FAX (414) 643-4452