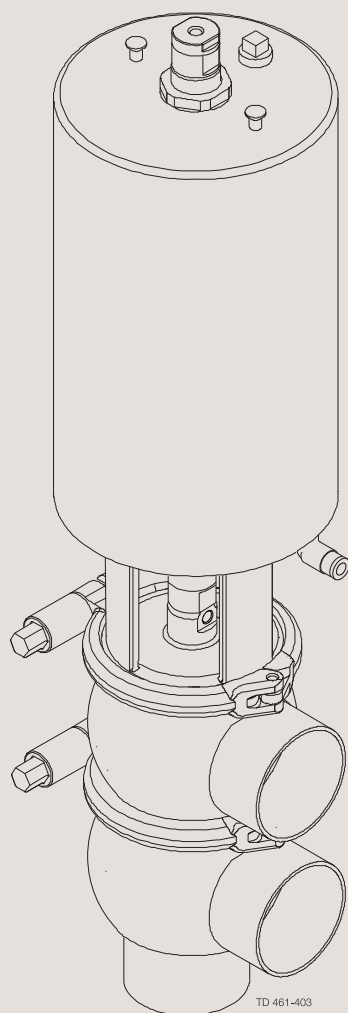


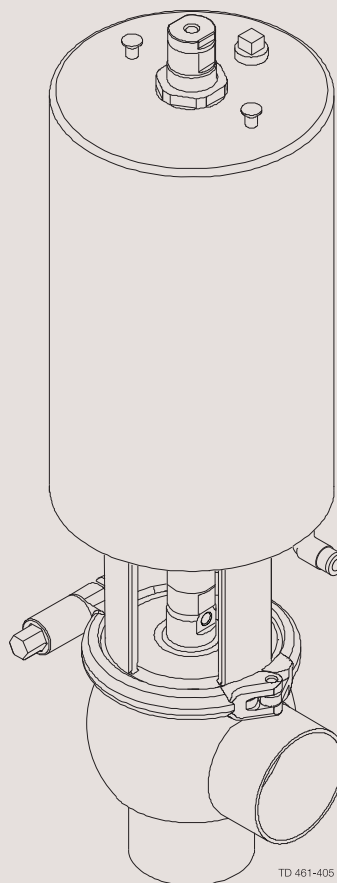


Instruction Manual

Unique SSV - Long Stroke



TD 461-403



TD 461-405

ESE00220-ENUS7

2019-03

Original manual

The information herein is correct at the time of issue but may be subject to change without prior notice

1. EC Declaration of Conformity	4
2. Safety	5
2.1. Important information	5
2.2. Warning signs	6
2.3. Safety precautions	7
3. Installation	9
3.1. Unpacking/delivery	9
3.2. General installation	10
3.3. Welding	11
3.4. Recycling information	13
4. Operation	14
4.1. Operation	14
4.2. Troubleshooting	16
4.3. Recommended cleaning	17
5. Maintenance	19
5.1. General maintenance	19
5.2. Dismantling the valve	22
5.3. Elastomer and TR2 seal ring replacement	23
5.4. Valve assembly	23
5.5. Actuator types	24
6. Technical data	25
6.1. Technical data	25
7. Parts list and Service Kits	26
7.1. Drawing	26
7.2. Unique SSV - Long stroke TR2 - Shut-off-Valve	27
7.3. Unique SSV - Long stroke TR2 - Change-over-valve	29
7.4. Unique SSV - Long stroke Elastomer plug seal - Shut-off-Valve	31
7.5. Unique SSV - Long stroke Elastomer plug seal - Change-Over-Valve	33
7.6. Mounting Tool - Unique Single Seat Valve - For plug seals US Long stroke, Two-step	35

1 EC Declaration of Conformity

Revision of Declaration of Conformity 2019-03-01

The Designated Company

Alfa Laval Kolding A/S
Company Name

Albuen 31, DK-6000 Kolding, Denmark
Address

+45 79 32 22 00
Phone No.

hereby declare that

Valve
Designation

Unique SSV LS PN10
Type

From serial number 1000000 to 70000000000

is in conformity with the following directive with amendments:

- Machinery Directive 2006/42/EC
- Regulation (EC) No 1935/2004
- Pressure Equipment Directive 97/23/EC category 1 and subjected to assessment procedure Module A.


The person authorised to compile the technical file is the signer of this document

Global Product Quality Manager
Pumps, Valves, Fittings and Tank Equipment
Title

Lars Kruse Andersen
Name

Kolding
Place

2013-12-03
Date


Signature



Unsafe practices and other important information are emphasized in this manual.
Warnings are emphasized by means of special signs.

2.1 Important information

Always read the manual before using the valve!

WARNING

Indicates that special procedures must be followed to avoid serious personal injury.

CAUTION

Indicates that special procedures must be followed to avoid damage to the valve.

NOTE

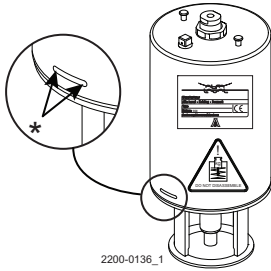
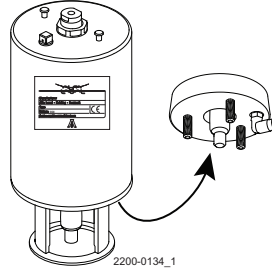

Indicates important information to simplify or clarify procedures.

Different actuator types for the SSV valve

In June 2016 the below change was implemented and the “removable yoke with bolts” version is thereby phased out and replaced by the “yoke without bolts” version.

NOTE

It is important to check for warnings marked on the actuator when servicing an actuator - see below table.

Actuator type	Non-maintainable actuator spring under load and CANNOT be opened	Fully maintainable actuator spring cage and can be opened	Fully maintainable actuator spring cage and can be opened
	 <p>2200-0136_1</p> <p>*) Lock wire opening is locked - when warning is marked on actuator</p>	 <p>2200-0134_1</p>	 <p>2200-0135_1</p>
Yoke type	Non-removable yoke	Removable yoke with bolts. If the yoke with bolts is damaged it has to be replaced by the “yoke without bolts”	Yoke without bolts
Service	Not possible to service internally (it is not possible to change piston O-rings)	Yes	Yes
Marked with warnings	Yes	No	No
Year of production	From 2006	From 2006 to June 2016	From June 2016

2 Safety

*Unsafe practices and other important information are emphasized in this manual.
Warnings are emphasized by means of special signs.*

2.2 Warning signs

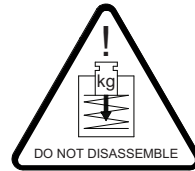
General warning



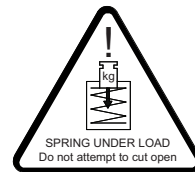
Caustic agents



Danger of injury (lasermarked on the actuator)
Do **NOT** attempt to disassemble the actuator due to
spring under load danger!
(The lock wire opening is locked)



Danger of injury (an extra yellow label marked on the actuator
from June 2016)
Do **NOT** attempt to cut the actuator open due to
spring under load.
(The lock wire opening is locked).



Danger of injury (label marked on actuator)
Do **NOT** attempt to cut the actuator open due to
spring under load
(The lock wire opening is locked)



All warnings in the manual are summarized on this page.

Pay special attention to the instructions below so that severe personal injury and/or damage to the valve are avoided.

2.3 Safety precautions

Actuators

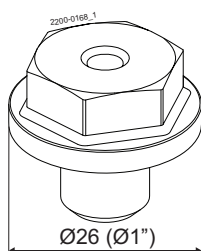
If support air is utilised:



- Shock in the actuator must **NEVER** occur
- Support air on high pressure actuator versions is **NOT** allowed

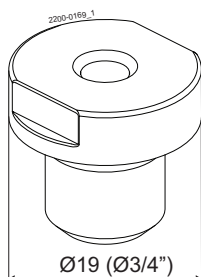
To prevent shock in the actuator and to prevent exceeding 145 PSI (10 bar) product pressure, Alfa Laval recommends **NOT** to exceed 43.5 PSI (3 bar) support air on the spring side in all the Unique SSV actuators.

If support air is connected always use the 43 PSI (3 bar) air relief fittings = 9611996094 (1/4" = 6,35 mm hose)
Using the 43.5 PSI (3 bar) air relief fitting also extends the service life of the actuator piston o-ring.
Obs. if using a 6 mm hose then use air relief fittings = 9611995903



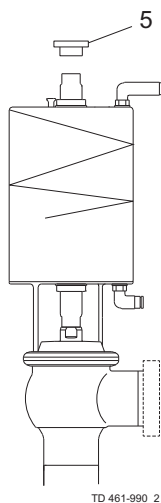
Pos. no. 5

For actuators, manufactured year 2005-2018, with serial number from 1000000 - 5999999 and from 20000000000 - 59999999999 always use steel adapter (pos 5) = 9614065301
Tighten torque = 23 lbf-ft (30 Nm)



Pos. no. 5

For actuators, manufactured year 2019 --> with serial number from 6000000 to 7000000 and from 60000000000 to 70000000000 always use steel adapter (pos 5) = 9615374701
Tighten torque = 11 lbf-ft (15 Nm)



Alfa Laval recommends max. 43,5 PSI (3 bar) support air
Always use the 43,5 PSI (3 bar) air relief fittings" on support air.
Alfa Laval article number = 9611996094 (1/4" = 6,35 mm hose)

TD 461-990_2

2 Safety

All warnings in the manual are summarized on this page.

Pay special attention to the instructions below so that severe personal injury and/or damage to the valve are avoided.

Installation:

Always read the technical data thoroughly (See chapter 6 Technical data)
Always release compressed air after use
Never touch the moving parts if the actuator is supplied with compressed air
Never touch the valve or the pipelines when processing hot liquids or when sterilizing
Never dismantle the valve with valve and pipelines under pressure
Never dismantle the valve when it is hot



Operation:

Never dismantle the valve with valve and pipelines under pressure
Never dismantle the valve when it is hot
Always read the technical data thoroughly (See chapter 6 Technical data)
Always release compressed air after use
Never touch the valve or the pipelines when processing hot liquids or when sterilizing
Never touch the moving parts if the actuator is supplied with compressed air
Always rinse well with clean water after the cleaning



Always handle lye and acid with great care



Maintenance:

Always read the technical data thoroughly (See chapter 6 Technical data)
Always release compressed air after use
Never service the valve when it is hot
Never service the valve with valve and pipelines under pressure
Never stick your fingers through the valve ports if the actuator is supplied with compressed air
Never touch the moving parts if the actuator is supplied with compressed air



The instruction manual is part of the delivery. Study the instructions carefully.
 The items refer to parts list and service kits section.
 The valve is supplied as separate parts as standard (for welding).
 The valve is assembled before delivery, if it is supplied with fittings.

3.1 Unpacking/delivery

Step 1

CAUTION

Alfa Laval cannot be held responsible for incorrect unpacking.

Check the delivery for:

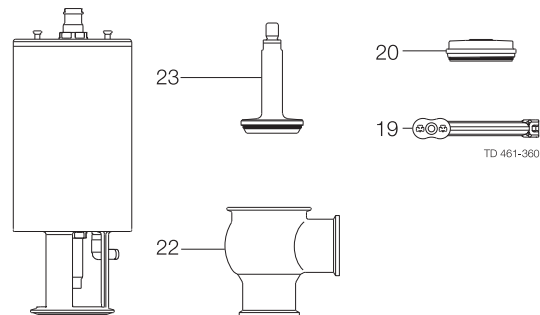
1. Complete valve, shut-off valve or change-over valve (see steps 2a and 2b).
2. Delivery note.
3. Instruction manual.

Step 2

2a

Shut-off valve:

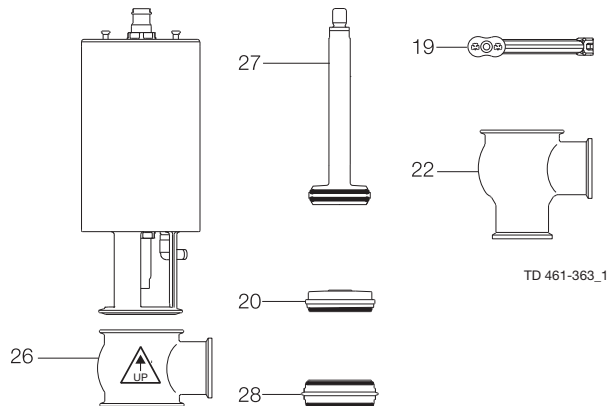
1. Complete actuator.
2. Bonnet (20).
3. Clamp (19).
4. Valve plug (23).
5. Valve body (22).



2b

Change-over valve:

1. Complete actuator.
2. Bonnet (20).
3. 2 x clamp (19).
4. Valve plug (27).
5. Lower valve body (22).
6. Valve seat (28).
7. Upper valve body (26).



Step 3

Remove possible packing materials from the valve/valve parts.
 Inspect the valve/valve parts for visible transport damages.
 Avoid damaging the valve/valve parts.

3 Installation

Study the instructions carefully and pay special attention to the warnings!
The valve has welding ends as standard but can also be supplied with fittings.

3.2 General installation

Step 1



Always read the technical data carefully.
See chapter 6 Technical data



Always release compressed air after use.

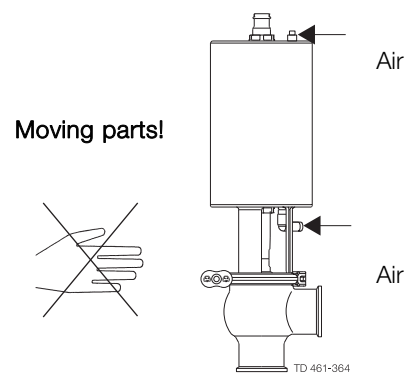
CAUTION

Alfa Laval cannot be held responsible for incorrect installation.

Step 2



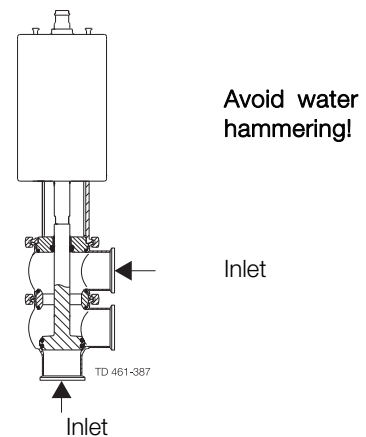
Never touch the moving parts if the actuator is supplied with compressed air.



Step 3

It is recommended to install the valve so that the flow is against the closing direction to avoid water hammering.

Shock in the actuator must **never** occur.

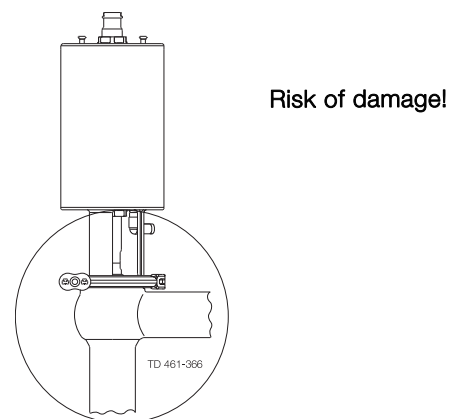


Step 4

Avoid stressing the valve.

Pay special attention to:

- Vibrations.
- Thermal expansion of the pipelines.
- Excessive welding.
- Overloading of the pipelines.

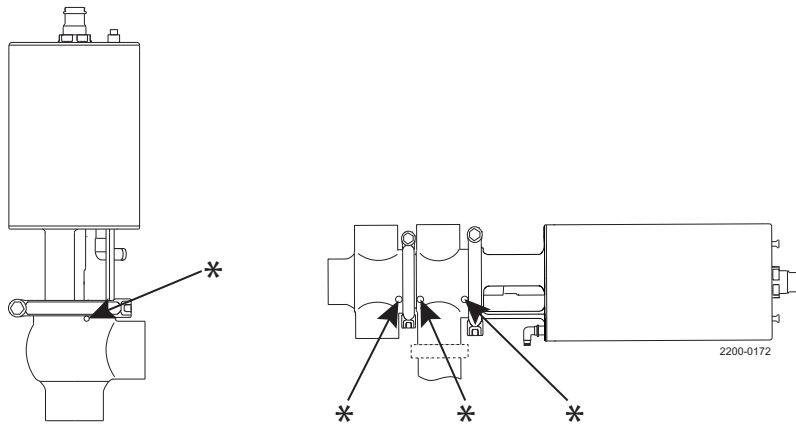


Study the instructions carefully.
 The valve is supplied as separate parts to facilitate the welding.
 The items refer to the parts list and service kits section.
 Check the valve for smooth operation after welding.

Step 5

Make sure that the leak detection hole in the valve body:

1. is visible, when mounting the valve vertically
2. always is downwards due to self-draining, when the valve is mounted horizontally.



* = Leakage detection hole

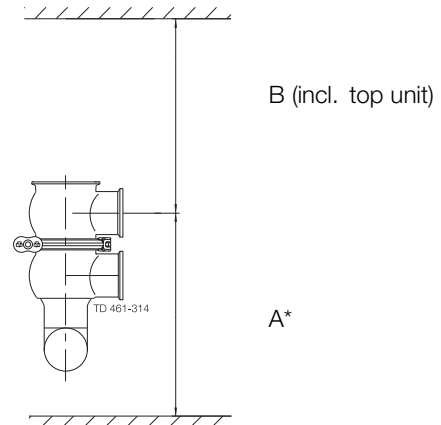
3.3 Welding

Step 1

Always install valves with more than one valve body so that the seals between the valve bodies can be replaced. Do not weld more than one valve body into the system.

Valve size	A (inch)	B (inch)
1 1/2"	*	30.7
2"	*	31.5
2 1/2"	*	31.1
3"	*	35.8
4"	*	35.4

* Depending on body combination and piping solution.



3 Installation

Study the instructions carefully.

The valve is supplied as separate parts to facilitate the welding.

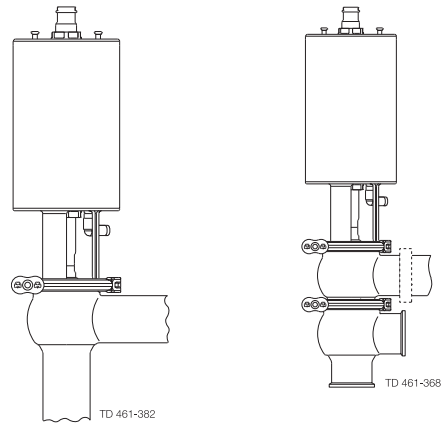
The items refer to the parts list and service kits section.

Check the valve for smooth operation after welding.

Step 2

Assemble the valve in accordance with the steps on page 23.

Pay special attention to the warnings!

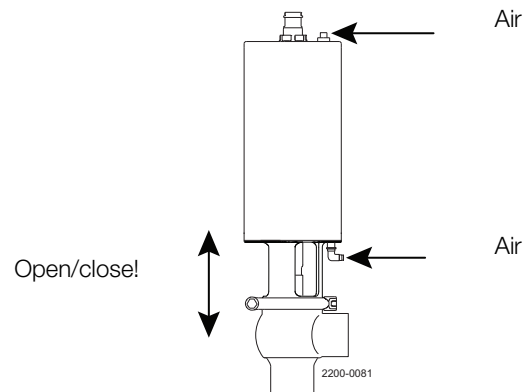


Step 3

Pre-use check:

1. Supply compressed air to the actuator.
2. Open and close the valve several times to ensure that it operates smoothly.

Pay special attention to the warnings!



Study the instructions carefully.

The valve is supplied as separate parts to facilitate the welding.

The items refer to the parts list and service kits section.

Check the valve for smooth operation after welding.

3.4 Recycling information

- **Unpacking**

- Packing material consists of wood, plastics, cardboard boxes and in some cases metal straps
- Wood and cardboard boxes can be reused, recycled or used for energy recovery
- Plastics should be recycled or burnt at a licensed waste incineration plant
- Metal straps should be sent for material recycling

- **Maintenance**

- During maintenance oil and wear parts in the machine are replaced
- All metal parts should be sent for material recycling
- Worn out or defective electronic parts should be sent to a licensed handler for material recycling
- Oil and all non metal wear parts must be taken care of in agreement with local regulations

- **Scrapping**

- At end of use, the equipment shall be recycled according to relevant, local regulations. Beside the equipment itself, any hazardous residues from the process liquid must be considered and dealt with in a proper manner. When in doubt, or in the absence of local regulations, please contact the local Alfa Laval sales company
-

4 Operation

Study the instructions carefully and pay special attention to the warnings!
Ensure that the valve operates smoothly.
The items refer to the parts list and service kits section.

4.1 Operation

Step 1



Always read the technical data carefully.
See chapter 6 Technical data



Always release compressed air after use.

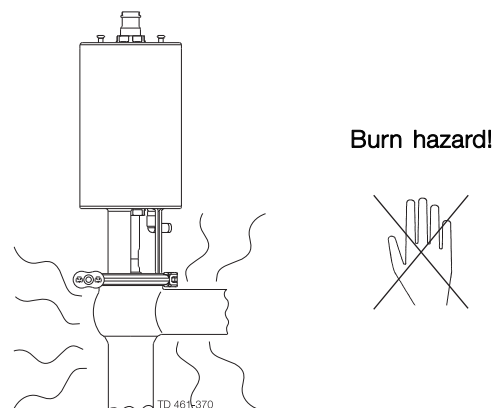
CAUTION

Alfa Laval cannot be held responsible for incorrect operation.

Step 2



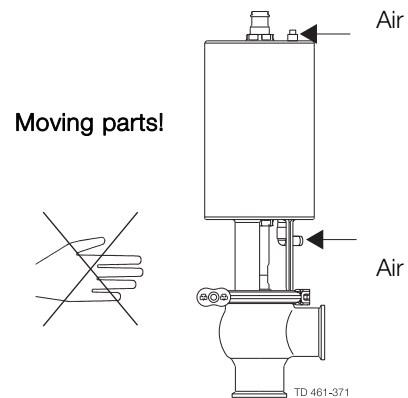
Never touch the valve or the pipelines when processing hot liquids or when sterilising.



Step 3



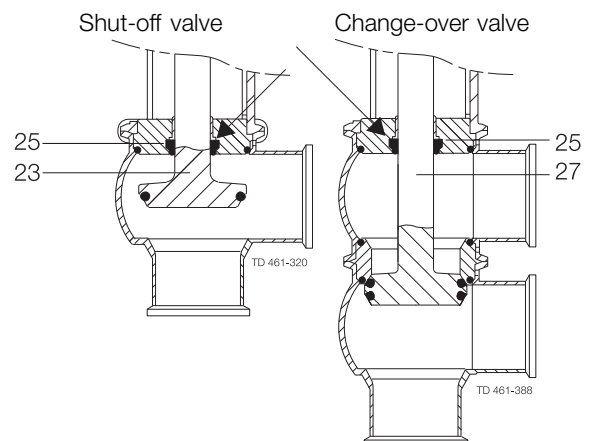
Never touch the moving parts if the actuator is supplied with compressed air.



Step 4

Lubrication of valves:

1. Ensure smooth movement between lip seal (25) and plug stem (23, 27).
2. Lubricate the lip seal with Klüber Paraliq GTE 703 if necessary (see section 4.1).

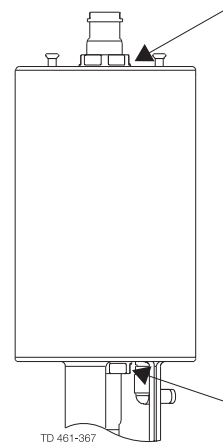


*Study the instructions carefully and pay special attention to the warnings!
Ensure that the valve operates smoothly.
The items refer to the parts list and service kits section.*

Step 5

Lubrication of actuator

1. Ensure smooth movement of the actuator (the actuator is lubricated before delivery).
2. Lubricate all seals with Molykote Longterm 2 plus if necessary.



4 Operation

Pay attention to possible faults. Study the instructions carefully.
The items refer to the parts list and service kits section.

4.2 Troubleshooting

NOTE!

Study the maintenance instructions carefully before replacing worn parts. - See section 4.1!

Problem	Cause/result	Repair
External product leakage	Worn or product affected lip seal and/or O-ring	<ul style="list-style-type: none">- Replace the seals- Replace with seals of a different rubber grade
Internal product leakage	<ul style="list-style-type: none">- Worn or product affected plug seal- Product deposits on the seat and/or plug- Product pressure exceeds actuator specification	<ul style="list-style-type: none">- Replace the seal- Replace with a seal of a different rubber grade- Frequent cleaning- Replace with a high pressure actuator- Use auxiliary air on the spring side (do not exceed 43.5 PSI (3 bar)) Alfa Laval article number = 9611996094 . See section and section , step 4.- Reduce product pressure
Water hammer	The flow direction is the same as the closing direction	<ul style="list-style-type: none">- The flow direction should be against the closing direction- Throttle air release of solenoid in top unit
The valve does not open/close	Product pressure exceeds actuator specification	<ul style="list-style-type: none">- Replace with a high pressure actuator- Reduce product pressure- Use auxiliary air on the spring side. Always use the pressure relief fittings 43.5 PSI (3 bar) on support side. Alfa Laval article number = 9611996094

The valve is designed for cleaning in place (CIP). CIP = Cleaning In Place.
 Study the instructions carefully and pay special attention to the warnings!
 NaOH = Caustic Soda.
 HNO₃ = Nitric acid.

4.3 Recommended cleaning

Step 1



Always handle lye and acid with great care.

Caustic danger!



Always use
rubber gloves!

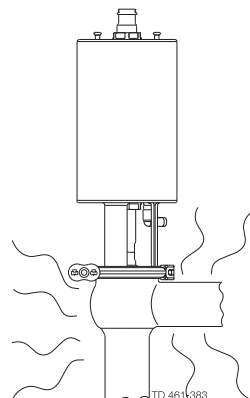


Always use
protective goggles!

Step 2



Never touch the valve or the pipelines when sterilising.



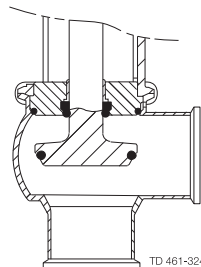
Burn hazard!



Step 3

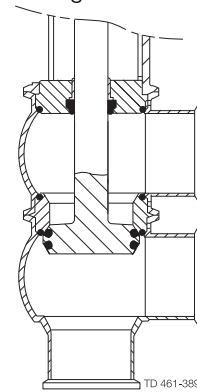
Clean the plug and the seats correctly.
Pay special attention to the warnings!
Lift and lower valve plug momentarily!

Shut-off valve



TD 461-324

Change-over valve



TD 461-389

Step 4

Examples of cleaning agents:

Use clean water, free from chlorides.

1. 1% by weight NaOH at 158° F

2.2 lb NaOH	+	26.4 gal water	=	Cleaning agent.
----------------	---	-------------------	---	-----------------

0.6 gal 33% NaOH	+	26.4 gal water	=	Cleaning agent.
---------------------	---	-------------------	---	-----------------

2. 0.5% by weight HNO₃ at 158° F

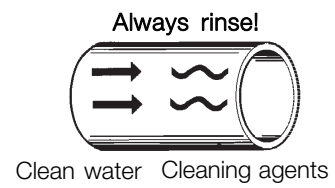
0.2 gal 53% HNO ₃	+	26.4 gal water	=	Cleaning agent.
---------------------------------	---	-------------------	---	-----------------

4 Operation

The valve is designed for cleaning in place (CIP). CIP = Cleaning In Place.
Study the instructions carefully and pay special attention to the warnings!
NaOH = Caustic Soda.
HNO₃ = Nitric acid.

Step 5

1. Avoid excessive concentration of the cleaning agent.
2. Adjust the cleaning flow to the process.
3. **Always** rinse well with clean water after the cleaning.



Step 6

NOTE

The cleaning agents must be stored/disposed off in accordance with current regulations/directives.

Maintain the valve regularly.
 Study the instructions carefully and pay special attention to the warnings!
 Always keep spare rubber seals and lip seals in stock.

5.1 General maintenance

Step 1



Always read the technical data carefully.
 See chapter 5.



Always release compressed air after use.

NOTE

All scrap must be stored/discharged in accordance with current rules/directives.

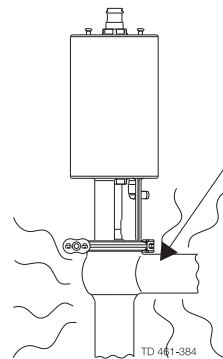
Step 2



Never service the valve when it is hot.

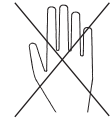


Never service the valve with valve and pipelines under pressure.



Atmospheric pressure required!

Burn hazard!



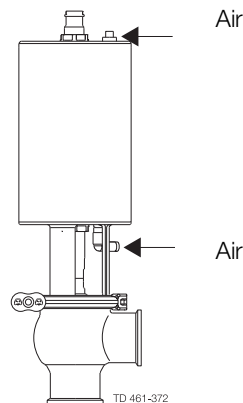
Step 3



Never stick your fingers through the valve ports if the actuator is supplied with compressed air.



Never touch the moving parts if the actuator is supplied with compressed air.



Air

Air

Moving parts!

Cutting hazard!



5 Maintenance

Maintain the valve regularly.

Study the instructions carefully and pay special attention to the warnings!

Always keep spare rubber seals and lip seals in stock.

Below are some guidelines for maintenance and lubrication intervals. Please note that the guidelines are for normal working conditions in one shift.

	Product wetted seals	Actuator bushings complete
Preventive maintenance	Replace after 12 months depending on working conditions	Replace after 5 years depending on working conditions
Maintenance after leakage (leakage normally starts slowly)	Replace at the end of the day	Replace when possible
Planned maintenance	<ul style="list-style-type: none"> - Regular inspection for leakage and smooth operation - Keep a record of the valve - Use the statistics for planning of inspections Replace after leakage	<ul style="list-style-type: none"> - Regular inspection for leakage and smooth operation - Keep a record of the actuator - Use the statistics for planning of inspections Replace after leakage
Lubrication	Before fitting Klüber Paraliq GTE 703 or similar USDA H1 approved oil/grease	Before fitting Molykote Longterm 2 plus

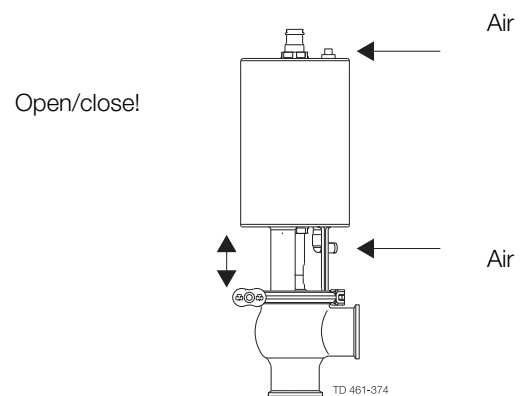
Maintain the valve regularly.

Study the instructions carefully and pay special attention to the warnings!

Always keep spare rubber seals and lip seals in stock.

Pre-use check:

1. Supply compressed air to the actuator.
2. Open and close the valve several times to ensure that it operates smoothly.
Pay special attention to the warnings!



Recommended spare parts

Service kits (see chapter 6)

5 Maintenance

Study the instructions carefully. The items refer to the parts list and service kits section. Handle scrap correctly.

NC = Normally closed.

NO = Normally open.

A/A = Air/air activated.

5.2 Dismantling the valve

Step 1

1a

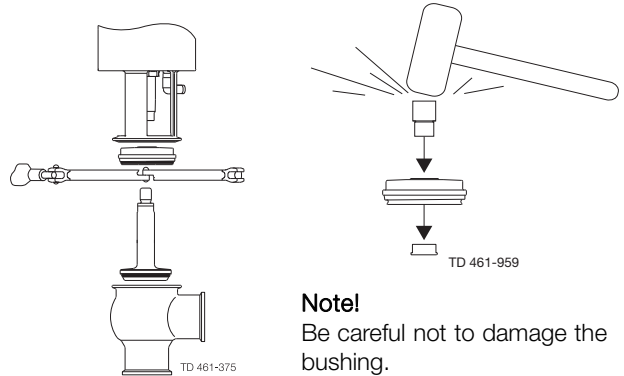
Shut-off valve:

1. Supply compressed air to the actuator (only NC).
2. Loosen and remove clamp.
3. Release compressed air (only NC).
4. Lift away the actuator.
5. Unscrew and remove valve plug.
6. Remove O-ring, lip seal and bushing in bonnet.
(Use bushing tool and rubber mallet).

Note! Be careful not to damage the bushing.

Pay special attention to the warnings!

Note! For plug seal replacement please see page 23.



Note!

Be careful not to damage the bushing.

1b

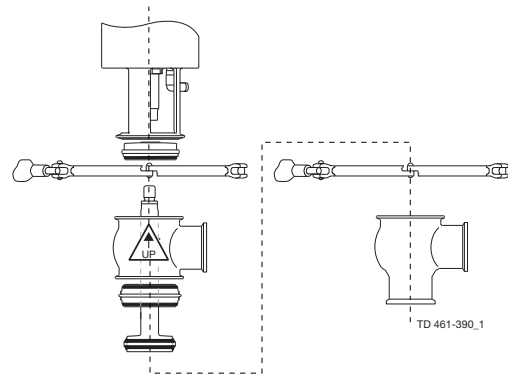
Change-over valve:

1. Supply compressed air to the actuator (only NC).
2. Loosen and remove lower clamp.
3. Release compressed air (only NC).
4. Lift away the actuator and upper valve body.
5. Supply compressed air to the actuator (only NO).
6. Unscrew and remove valve plug.
7. Release compressed air (only NO).
8. Remove seat and O-rings.
9. Loosen and remove upper clamp.
10. Remove upper valve body.
11. Remove O-ring, lip seal and bushing in bonnet.
(Use bushing tool and rubber mallet.
See drawing, step 1a).

Note! Be careful not to damage the bushing.

Pay special attention to the warnings!

Note! For plug seal replacement please see page 23.



Study the instructions carefully. The items refer to the parts list and service kits section. Handle scrap correctly.

NC = Normally closed.

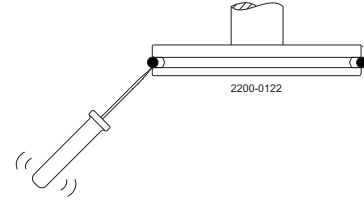
NO = Normally open.

A/A = Air/air activated.

5.3 Elastomer and TR2 seal ring replacement

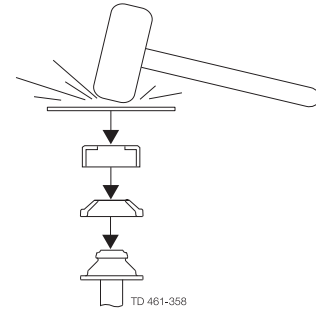
Elastomer seal ring replacement

1. Remove old seal ring using a knife, screwdriver or similar.
Be careful not to damage metal parts.
2. Pre-mount plug seal without pressing it into the groove.
3. Squeeze plug seal into the groove using opposite pressure points.
4. Release compressed air behind plug seal.



TR2 seal ring replacement

1. Place the plug element on a firm support.
2. Using a utility knife, partially AND CAREFULLY cut through the upper ring portion of the TR2 plug avoiding contact with stainless steel stem.
3. Force apart both cut ends of the plug for removal from stem.
4. TR2 plugs are installed by applying uniform pressure on all sides.
(Pressure can be applied by using the seat assembly tool.)
5. Using a piece of metal and a rubber mallet, place a precise tab to make the TR2 plug snap on to the stem. Reverse the tool and tab again to secure proper fit.
6. Examine seat assembly to be sure the TR2 plug is properly mounted, holding the seat assembly in one hand - rotate the TR2 plug.
(For proper CIP cleaning the TR2 plug should turn freely on the stem.)



For more explicit instructions, please refer to the maintenance video.

5.4 Valve assembly

Reverse order of .

Lubricate O-ring (21) and lip seal (25) with Klüber Paraliq GTE 703.

Remember to tighten spindle and plug (use two 17 mm spanners).

- Change-over plug tighten torque = **22 lbf - ft (30 Nm)**
- Shut-off plug tighten torque = **15 lbf - ft (20 Nm)**

If there are vibrations in the pipeline Alfa Laval recommend to use loctite nr. 243.

The clamps thread must be lubricated before tightening - max. torque for the clamps is 8-9 lbf - ft (10-12 Nm).



Pay special attention to the warnings.

5 Maintenance

Study the instructions carefully.

The items refer to the parts list and service kits section. Handle scrap correctly.

AVA = Air/air activated.

Service tool: See Spare Parts.

5.5 Actuator types

1. Unscrew and remove top and bottom bushings with O-rings.
2. Lubricate O-rings with Molykote Longterm 2 plus before fitting.
3. Fit bushings and O-rings. Tighten bushing with a torque = 7 lbf-ft (10Nm).
Be careful not to overtighten.



*It is important to observe the technical data during installation, operation and maintenance.
Inform the personnel about the technical data.*

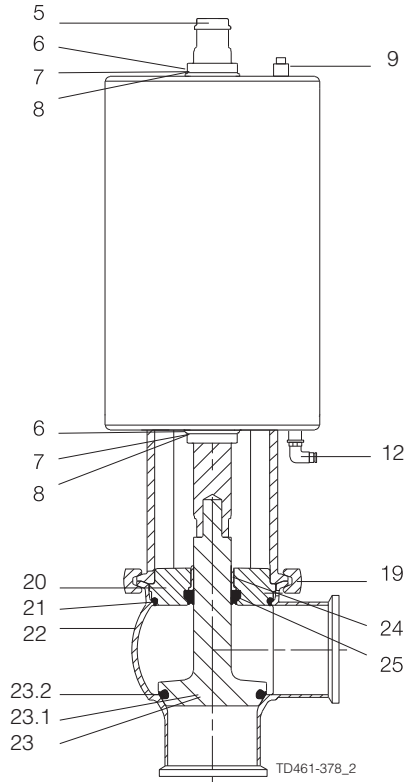
6.1 Technical data

Data - valve/actuator	
Max. product pressure	145 PSI (1000 kPa) (10 bar)
Min. product pressure	Full vacuum (depending on product specifications)
Temperature range	14° F to + 284° F (standard EPDM seal)
Air pressure, actuator	72.5 to 101.5 PSI (500 to 700 kPa) (5 to 7 bar)
Materials - valve/actuator	
Product wetted steel parts	AISI 316L (internal Ra < 32 µ inch)
Other steel parts	AISI 304
Plug seal	PTFE (TR2) (standard)
Optional product wetted seals	EPDM, HNBR and FPM
Other product wetted seals	EPDM (standard)
Optional product wetted seals	HNBR and FPM
Other seals	NBR

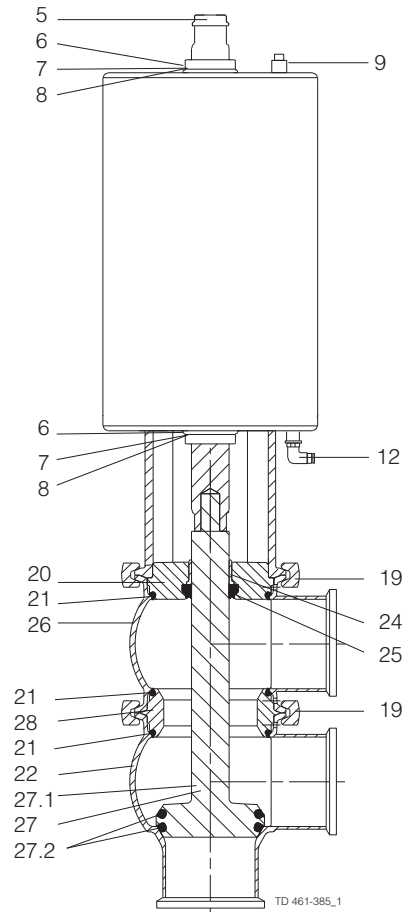
7 Parts list and Service Kits

For parts lists please see section 6.1. The drawings include all items.

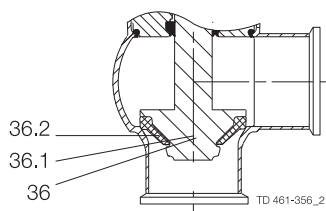
7.1 Drawing



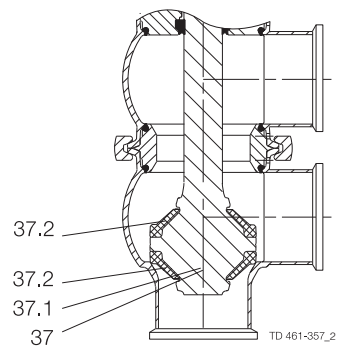
Shut-off valve (elastomer)



Change-over valve (elastomer)



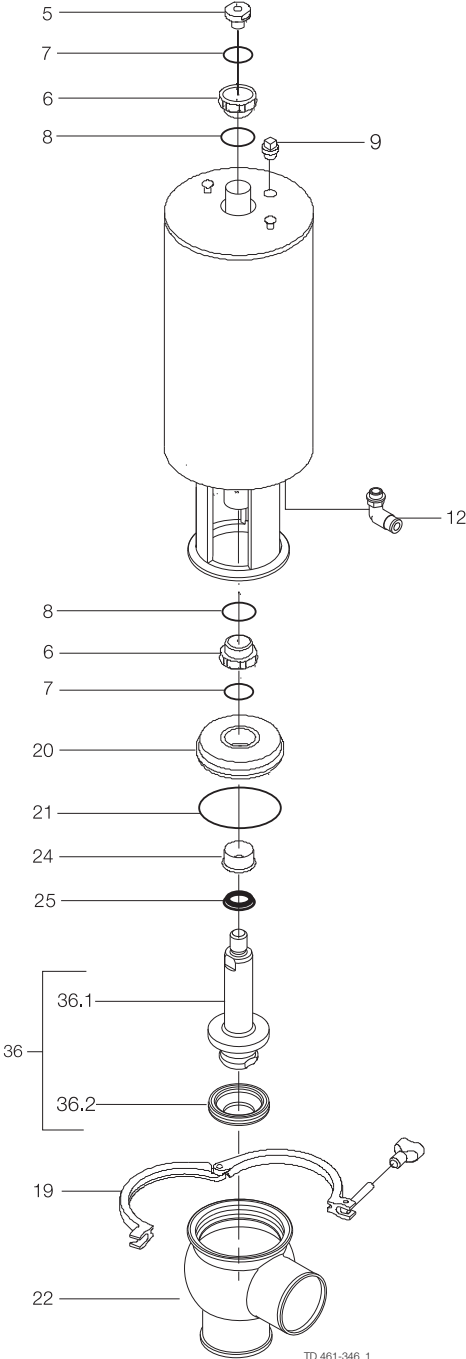
Shut-off valve (TR2)



Shut-off valve (TR2)

For parts lists please see section 6.1. The drawings include all items.

7.2 Unique SSV - Long stroke TR2 - Shut-off-Valve



TD 461-346_1

7 Parts list and Service Kits

For parts lists please see section 6.1. The drawings include all items.

Parts list

Pos.	Qty	Denomination
5	1	Actuator
6 □	2	Adapter
7 □	2	Bushing
8 □	2	O-ring
9	1	O-ring
12	1(2)	Plug
19	1	Air fitting
20	1	Clamp
21 ♦	1	Bonnet
22	1	O-ring
24	1	Valve body
25 ♦	1	Bushing
36	1	Lip seal
36.1	1	Plug, shut-off, complete
36.2 ♦	1	Plug, shut-off
		Plug seal, PTFE

1½" 2" 2½" 3" 4"

Actuator

□	Service kit	9611926500	9611926500	9611926500	9611926500	9611926500
---	-------------------	------------	------------	------------	------------	------------

Product wetted parts

♦	Service kit, EPDM	9611926561	9611926562	9611926563	9611926564	9611926565
♦	Service kit, HNBR	9611926566	9611926567	9611926568	9611926569	9611926570
♦	Service kit, FPM	9611926571	9611926572	9611926573	9611926574	9611926575

Parts marked with □ are included in the service kits (actuator).

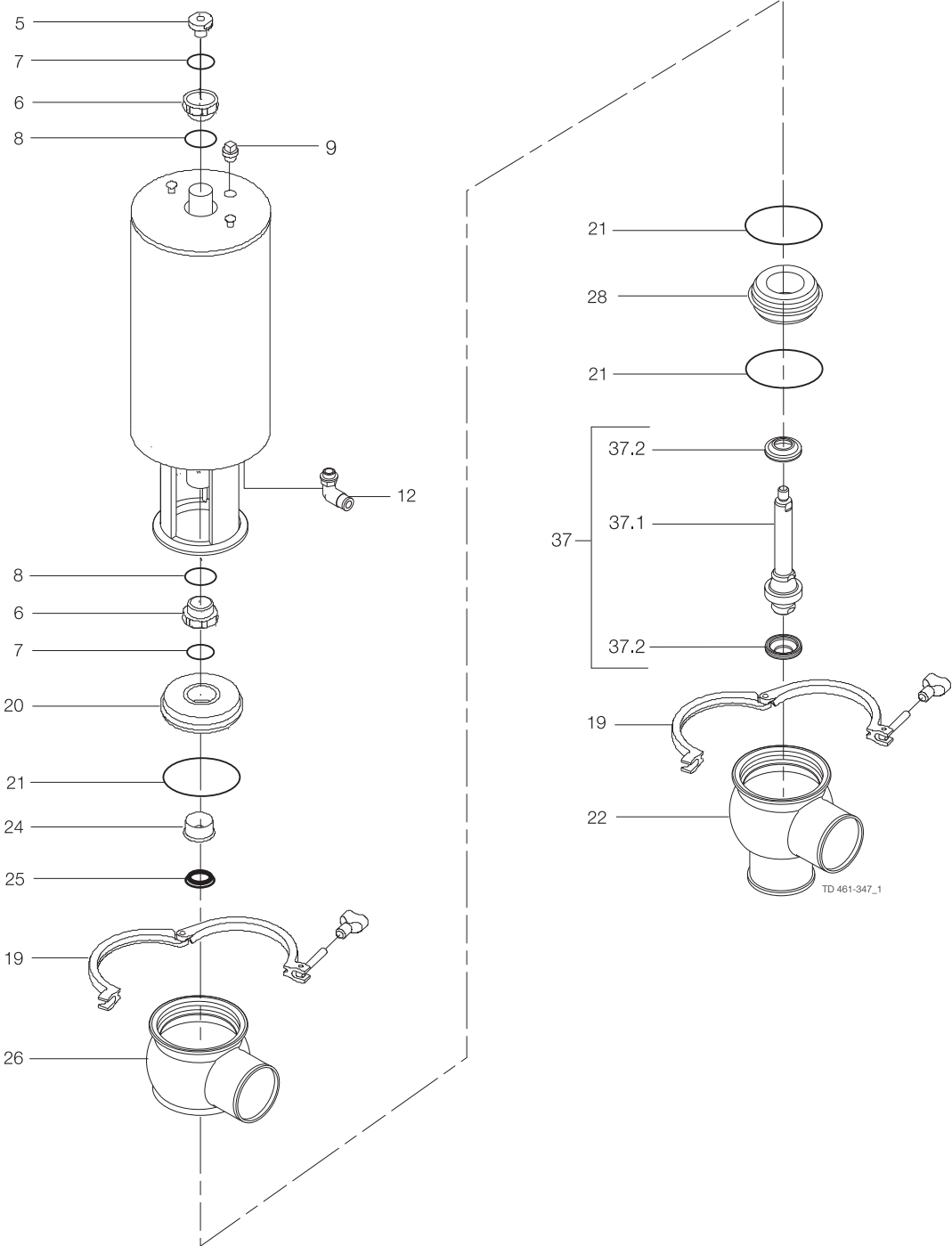
Parts marked with ♦ are included in the service kits (product wetted parts).

Recommended spare parts: Service kits.

TD 900338/2

For parts lists please see section 6.1. The drawings include all items.

7.3 Unique SSV - Long stroke TR2 - Change-over-valve



7 Parts list and Service Kits

For parts lists please see section 6.1. The drawings include all items.

Parts list

Pos.	Qty	Denomination
5	1	Actuator
6 □	2	Adapter
7 □	2	Bushing
8 □	2	O-ring
9	1	O-ring
12	1(2)	Plug
19	2	Air fitting
20	1	Clamp
21 ♦	1	Bonnet
22	3	O-ring
24	1	Valve body
25 ♦	1	Bushing
26	1	Lip seal
28	1	Valve body
37	1	Seat
37.1	1	Plug, change-over, complete
37.2 ♦	2	Plug, change-over
		Plug seal, PTFE

1½" 2" 2½" 3" 4"

Actuator

□	Service kit	9611926500	9611926500	9611926500	9611926500	9611926500
---	--------------------------	------------	------------	------------	------------	------------

Product wetted parts

♦	Service kit, EPDM	9611926633	9611926634	9611926635	9611926636	9611926637
♦	Service kit, HNBR	9611926638	9611926639	9611926640	9611926641	9611926642
♦	Service kit, FPM	9611926643	9611926644	9611926645	9611926646	9611926647

Parts marked with □ are included in the service kits (actuator).

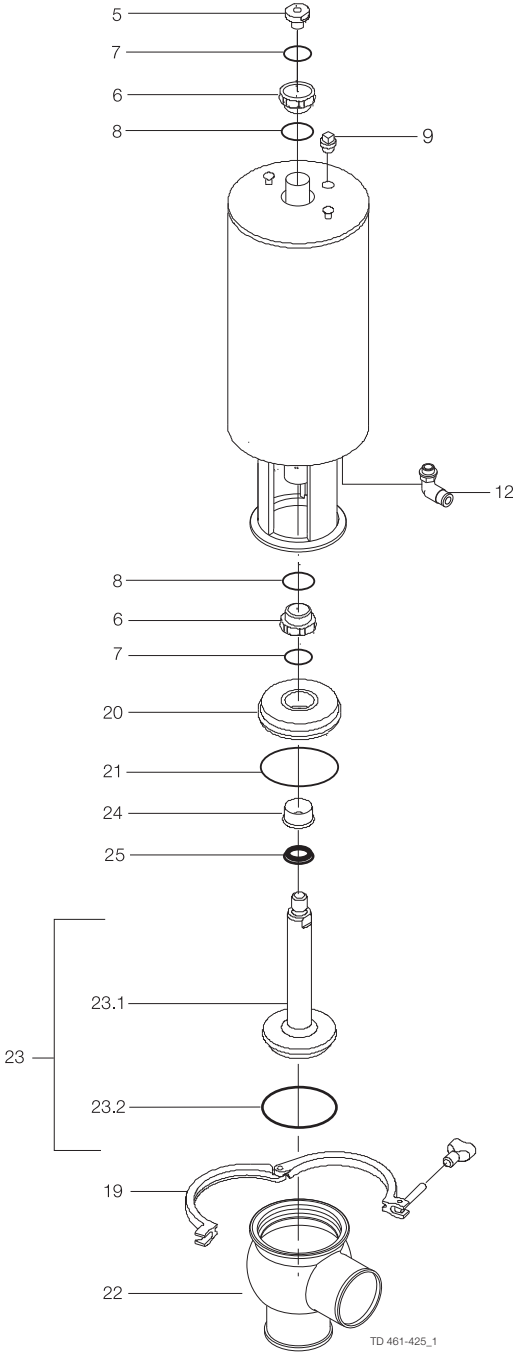
Parts marked with ♦ are included in the service kits (product wetted parts)

Recommended spare parts: Service kits.

TD 900338/2

For parts lists please see section 6.1. The drawings include all items.

7.4 Unique SSV - Long stroke Elastomer plug seal - Shut-off-Valve



7 Parts list and Service Kits

For parts lists please see section 6.1. The drawings include all items.

Parts list

Pos.	Qty	Denomination
5	1	Actuator
6 □	2	Adapter
7 □	2	Bushing
8 □	2	O-ring
9	1	O-ring
12	1(2)	Plug
19	1	Air fitting
20	1	Clamp
21 ♦	1	Bonnet
22	1	O-ring
23	1	Valve body
23.1	1	Plug
23.2 ♦	1	Plug, shut-off
24	1	Plug seal
25 ♦	1	Bushing
		Lip seal

1½" 2" 2½" 3" 4"

Actuator

□	Service kit	9611926500	9611926500	9611926500	9611926500	9611926500
---	--------------------------	------------	------------	------------	------------	------------

Product wetted parts

♦	Service kit, EPDM	9611926502	9611926503	9611926504	9611926505	9611926506
♦	Service kit, HNBR	9611926508	9611926509	9611926510	9611926511	9611926512
♦	Service kit, FPM	9611926514	9611926515	9611926516	9611926517	9611926518

Parts marked with □ are included in the service kits (actuator).

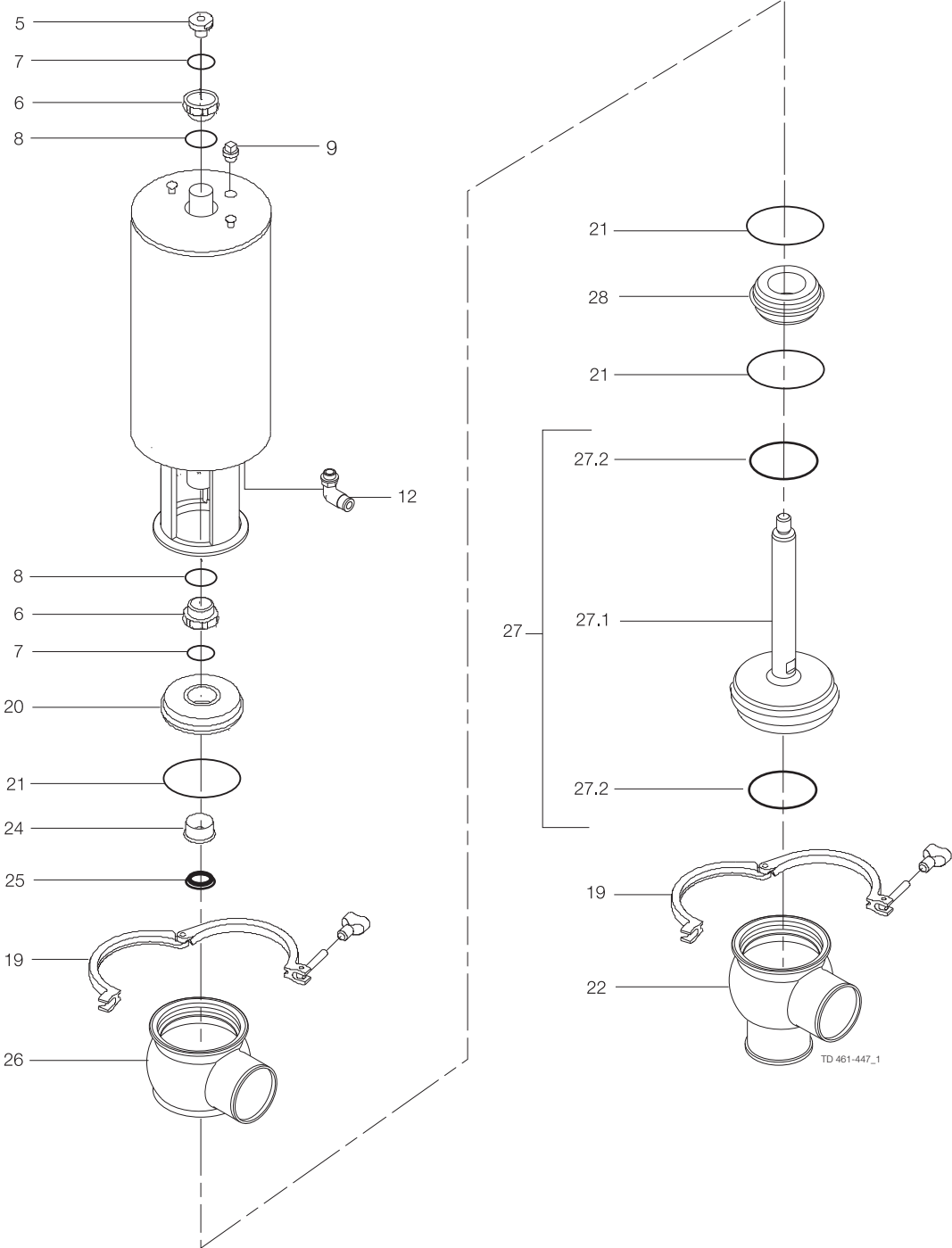
Parts marked with ♦ are included in the service kits (product wetted parts).

Recommended spare parts: Service kits.

TD 900364/2

For parts lists please see section 6.1. The drawings include all items.

7.5 Unique SSV - Long stroke Elastomer plug seal - Change-Over-Valve



7 Parts list and Service Kits

For parts lists please see section 6.1. The drawings include all items.

Parts list

Pos.	Qty	Denomination
5	1	Actuator
6 □	2	Adapter
7 □	2	Bushing
8 □	2	O-ring
9	1	O-ring
12	1(2)	Plug
19	2	Air fitting
20	1	Clamp
21 ♦	3	Bonnet
22	1	O-ring
24	1	Valve body
25 ♦	1	Bushing
26	1	Lip seal
27	1	Valve body
27.1	1	Plug
27.2 ♦	2	Plug, change-over
28	1	Plug seal
		Seat

1½" 2" 2½" 3" 4"

Actuator

□	Service kit	9611926500	9611926500	9611926500	9611926500	9611926500
---	--------------------------	------------	------------	------------	------------	------------

Product wetted parts

♦	Service kit, EPDM	9611926580	9611926581	9611926582	9611926583	9611926584
♦	Service kit, HNBR	9611926586	9611926587	9611926588	9611926589	9611926590
♦	Service kit, FPM	9611926592	9611926593	9611926594	9611926595	9611926596

Parts marked with □ are included in the service kits (actuator).

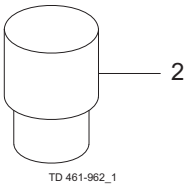
Parts marked with ♦ are included in the service kits (product wetted parts).

Recommended spare parts: Service kits.

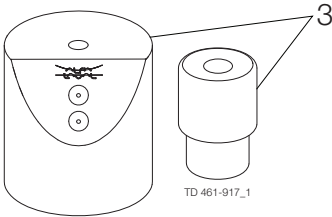
TD 900364/2

For parts lists please see section 6.1. The drawings include all items.

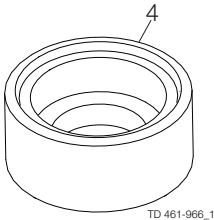
7.6 Mounting Tool - Unique Single Seat Valve - For plug seals US Long stroke, Two-step



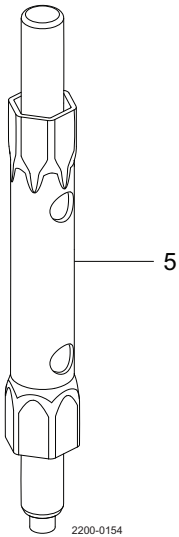
TD 461-962_1



TD 461-917_1



TD 461-966_1



2200-0154

7 Parts list and Service Kits

For parts lists please see section 6.1. The drawings include all items.

Parts list

Pos.	Qty	Denomination
2	1	Tool for bushing (pos. 24)
3	1	Mounting tool for elastomer plug seals
4	1	Mounting tool for TR2 plugs
5	1	Tool for actuator bushing

How to contact Alfa Laval

Contact details for all countries are continually updated on our website.

Please visit www.alfalaval.com to access the information directly.

© Alfa Laval Corporate AB

This document and its contents is owned by Alfa Laval Corporate AB and protected by laws governing intellectual property and thereto related rights. It is the responsibility of the user of this document to comply with all applicable intellectual property laws. Without limiting any rights related to this document, no part of this document may be copied, reproduced or transmitted in any form or by any means (electronic, mechanical, photocopying, recording, or otherwise), or for any purpose, without the expressed permission of Alfa Laval Corporate AB. Alfa Laval Corporate AB will enforce its rights related to this document to the fullest extent of the law, including the seeking of criminal prosecution.