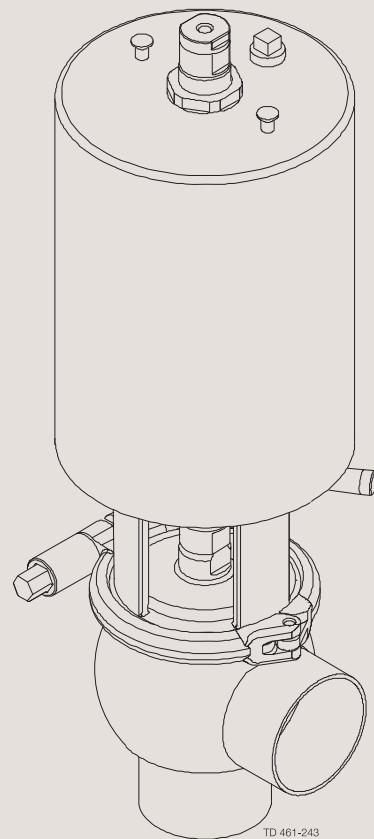
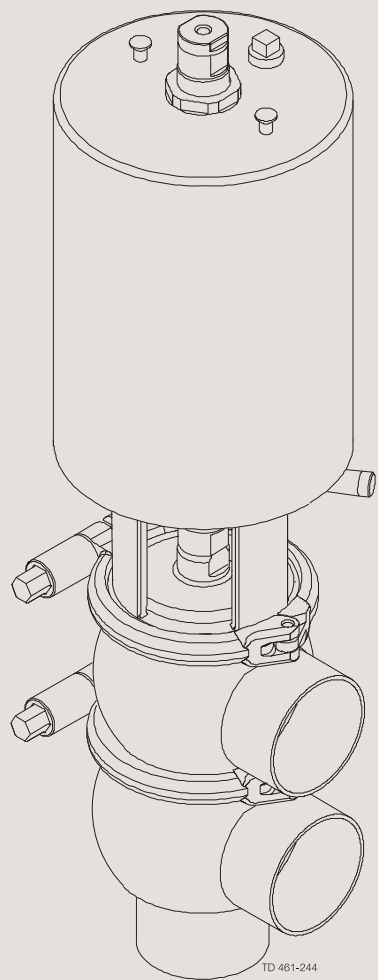




Spare Parts

Unique SSV - Aseptic



ESE02013-ENUS8

2020-07

Original manual

Table of contents

The information herein is correct at the time of issue but may be subject to change without prior notice

| | |
|--|----|
| 1. Important information | 4 |
| 2. Shut-off valve - 1"to 4" - elastomer plug seal | 6 |
| 3. Change-over valve - 1"to 4" - elastomer plug seal | 8 |
| 4. Mounting tool | 12 |

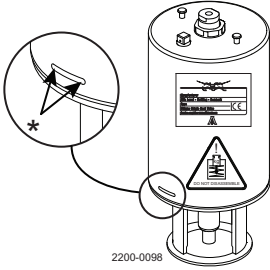
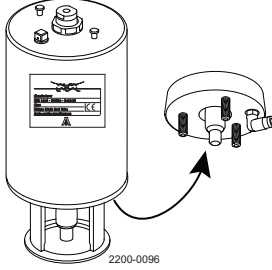
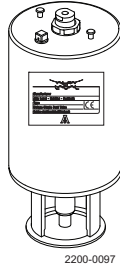
1 Important information

Different actuator types for the SSV valve

In June 2016 the below change was implemented and the “removable yoke with bolts” version is thereby phased out and replaced by the “yoke without bolts” version.

NOTE

It is important to check for warnings marked on the actuator when servicing an actuator - see below table.

| | | | |
|------------------------------------|--|--|---|
| <p>Actuator type</p> | <p>Non-maintainable actuator Spring under load and CANNOT be opened</p>  <p>*) Lock wire opening is locked when warning is marked on actuator</p> | <p>Fully maintainable actuator Spring cage and can be opened</p>  | <p>Fully maintainable actuator Spring cage and can be opened</p>  |
| <p>Yoke type</p> | <p>Non-removable yoke</p> | <p>“Removable yoke with bolts”. If the yoke with bolts is damaged it has to be replaced by the “yoke without bolts”</p> | <p>“Yoke without bolts”</p> |
| <p>Service</p> | <p>Not possible to service internally (it is not possible to change piston O-rings)</p> | <p>Yes</p> | <p>Yes</p> |
| <p>Marked with warnings</p> | <p>Yes</p> | <p>No</p> | <p>No</p> |
| <p>Year of production</p> | <p>From 2006</p> | <p>From 2006 to June 2016</p> | <p>From June 2016</p> |

Shut-off valve - 1"to 4" - elastomer plug seal

If the actuator is marked with a danger warning do **NOT** attempt to cut the actuator open.



Do **NOT** attempt to disassemble the actuator due to spring under load danger.

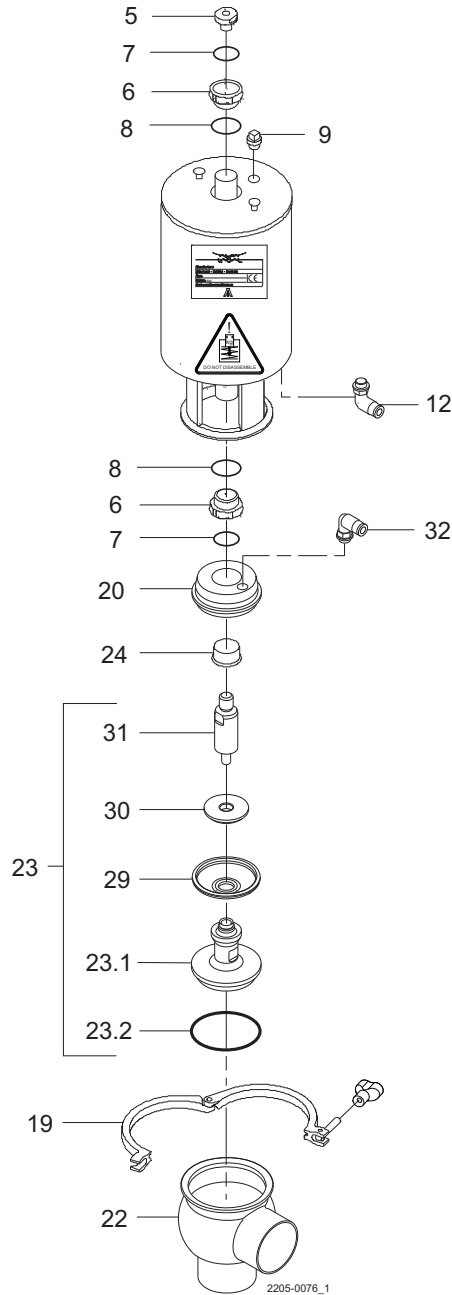


Do **NOT** attempt to cut the actuator open, due to spring under load danger.

AND



Do **NOT** attempt to cut the actuator open, due to spring under load danger.



Shut-off valve - 1"to 4" - elastomer plug seal

| Pos | Qty | Denomination | 1" | 1½" | 2" | 2½" | 3" | 4" |
|-------------------|------|---|------------|------------|------------|------------|------------|------------|
| Actuator | | | | | | | | |
| | | Actuator, complete (NO) | 9613154831 | 9613154831 | 9613154832 | 9613154833 | 9613154834 | 9613154835 |
| | | Actuator, complete (NC) | 9613154836 | 9613154836 | 9613163137 | 9613154838 | 9613154839 | 9613163140 |
| | | Actuator, complete (A/A) | 9613163141 | 9613163141 | 9613163142 | 9613163143 | 9613163144 | 9613163145 |
| 5 | 1 | Adapter, plastic (- 0115) | | | | | | |
| | 1 | Adapter, steel (0115 - 0518) | | | | | | |
| | 1 | Adapter, steel (0518 -) | 9615374701 | 9615374701 | 9615374701 | 9615374701 | 9615374701 | 9615374701 |
| 6 | □ 2 | Bushing | | | | | | |
| 7 | □ 2 | O-ring | | | | | | |
| 8 | □ 2 | O-ring | | | | | | |
| 9 | 1 | Plug | 9613414101 | 9613414101 | 9613414101 | 9613414101 | 9613414101 | 9613414101 |
| 12 | 1(2) | Air fitting | 9611994682 | 9611994682 | 9611994682 | 9611994682 | 9611994682 | 9611994682 |
| Clamp | | | | | | | | |
| 19 | 1 | Clamp | 9612939316 | 9612939316 | 9612939317 | 9612939318 | 9612939319 | 9612939320 |
| Bonnet | | | | | | | | |
| 20 | 1 | Bonnet | 9613142701 | 9613142701 | 9613142801 | 9613142901 | 9613143001 | 9613143101 |
| 24 | 1 | Bushing | 9613125002 | 9613125002 | 9613125002 | 9613125002 | 9613125002 | 9613125002 |
| Valve body | | | | | | | | |
| 22 | 1 | Valve body, lower, 2 ports, clamp | 9613161601 | 9613161603 | 9613161605 | 9613161607 | 9613161609 | 9613161611 |
| | 1 | Valve body, lower, 3 ports, clamp | 9613161602 | 9613161604 | 9613161606 | 9613161608 | 9613161610 | 9613161612 |
| | 1 | Valve body, lower, 2 ports, welding ends | 9613139513 | 9613139515 | 9613139517 | 9613139519 | 9613139521 | 9613139523 |
| | 1 | Valve body, lower, 3 ports, welding ends | 9613139514 | 9613139516 | 9613139518 | 9613139520 | 9613139522 | 9613139524 |
| Valve plug | | | | | | | | |
| 23 | 1 | Plug, shut-off, complete, EPDM (standard) | 9613159901 | 9613159902 | 9613159903 | 9613159904 | 9613159905 | 9613159906 |
| | 1 | Plug, shut-off, complete, HNBR | 9613159913 | 9613159914 | 9613159915 | 9613159916 | 9613159917 | 9613159918 |
| | 1 | Plug, shut-off, complete, FPM | 9613159925 | 9613159926 | 9613159927 | 9613159928 | 9613159929 | 9613159930 |
| 23.1 | 1 | Plug, shut-off | 9613143501 | 9613144501 | 9613143401 | 9613143402 | 9613143403 | 9613143404 |
| 23.2♦ | 1 | Plug seal, EPDM (standard) | | | | | | |
| | 1 | Plug seal, HNBR | | | | | | |
| | 1 | Plug seal, FPM | | | | | | |
| 23.2 | 1 | Plug seal, set (10 pcs.) EPDM | 9614059401 | 9614059404 | 9614059407 | 9614059410 | 9614059413 | 9614059416 |
| | 1 | Plug seal, set (10 pcs.) HNBR | 9614059402 | 9614059405 | 9614059408 | 9614059411 | 9614059414 | 9614059417 |
| | 1 | Plug seal, set (10 pcs.) FPM | 9614059403 | 9614059406 | 9614059409 | 9614059412 | 9614059415 | 9614059418 |
| 29 ♦ | 1 | Diaphragm | | | | | | |
| | 1 | Diaphragm, set (10 pcs.) | 9614059437 | 9614059437 | 9614059438 | 9614059439 | 9614059440 | 9614059441 |
| 30 | 1 | Disc for diaphragm | 9613144001 | 9613144001 | 9613144101 | 9613144201 | 9613144301 | 9613144301 |
| 31 | 1 | Upper spindle | 9613144601 | 9613144601 | 9613143302 | 9613143302 | 9613143301 | 9613143301 |
| 32 | 1 | Air fitting | 9611994877 | 9611994877 | 9611994682 | 9611994682 | 9611994682 | 9611994682 |
| | | | 1" | 1½" | 2" | 2½" | 3" | 4" |

Actuator

| | | | | | | | | |
|---|-------------------|------------|------------|------------|------------|------------|------------|------------|
| □ | Service kit | 9611926500 | 9611926500 | 9611926500 | 9611926500 | 9611926500 | 9611926500 | 9611926500 |
|---|-------------------|------------|------------|------------|------------|------------|------------|------------|

Product wetted parts

| | | | | | | | |
|---|-------------------------|------------|------------|------------|------------|------------|------------|
| ♦ | Service kit, EPDM | 9611926543 | 9611926544 | 9611926545 | 9611926546 | 9611926547 | 9611926548 |
| ♦ | Service kit, HNBR | 9611926549 | 9611926550 | 9611926551 | 9611926552 | 9611926553 | 9611926554 |
| ♦ | Service kit, FPM | 9611926555 | 9611926556 | 9611926557 | 9611926558 | 9611926559 | 9611926560 |

Parts marked with □ are included in the service kits (actuator).

Parts marked with ♦ are included in the service kits (product wetted parts).

Recommended spare parts: Service kits.

TD 900366/6

Change-over valve - 1" to 4" - elastomer plug seal

If the actuator is marked with a danger warning do **NOT** attempt to cut the actuator open.

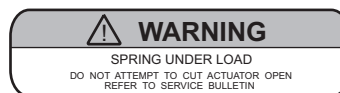


Do **NOT** attempt to disassemble the actuator due to spring under load danger.

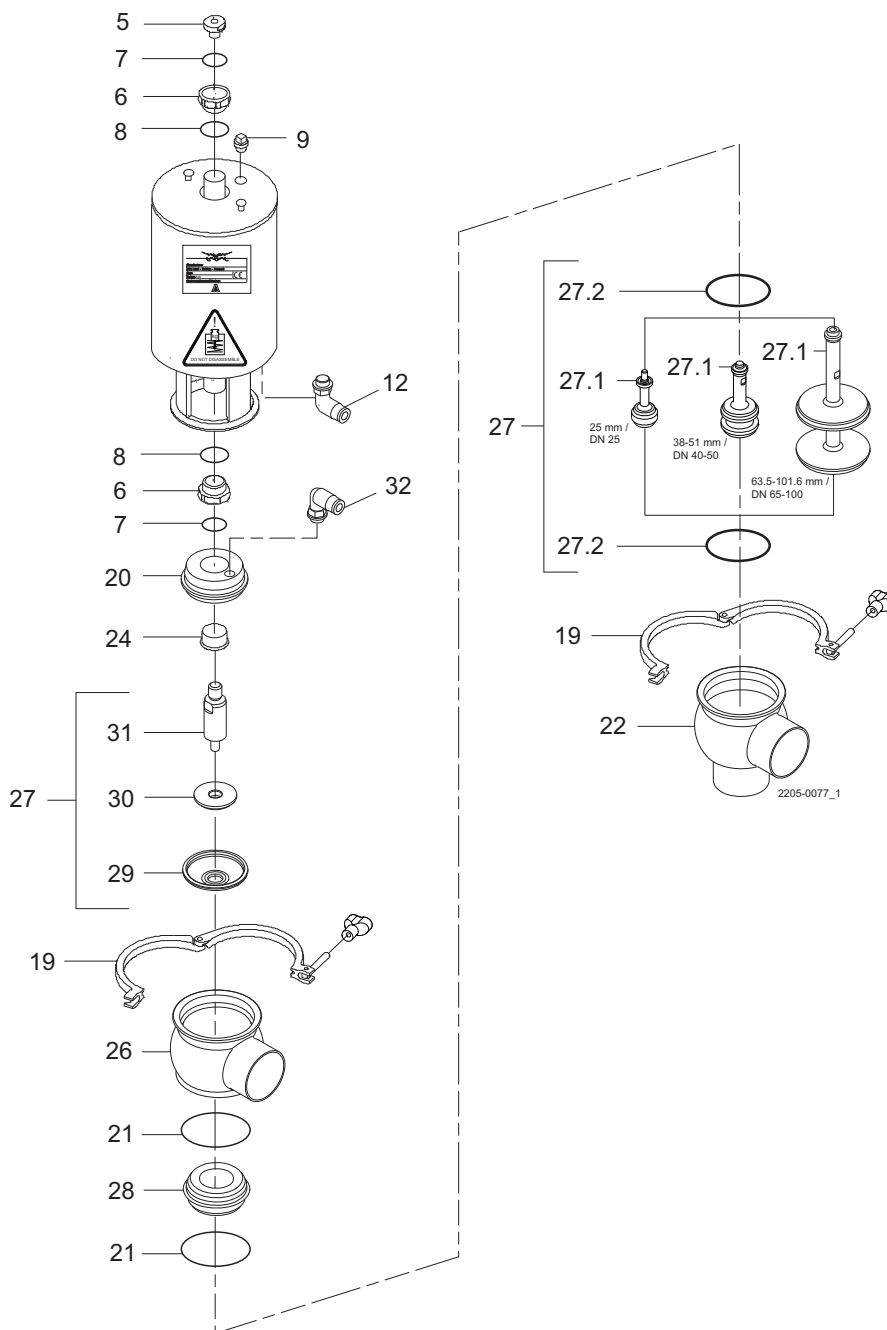


Do **NOT** attempt to cut the actuator open, due to spring under load danger.

AND



Do **NOT** attempt to cut the actuator open, due to spring under load danger.



Change-over valve - 1"to 4" - elastomer plug seal

| Pos | Qty | Denomination | 1" | 1½" | 2" | 2½" | 3" | 4" |
|-------------------|------|--|------------|------------|------------|------------|------------|------------|
| Actuator | | | | | | | | |
| | | Actuator, complete (NO) | 9613154831 | 9613154831 | 9613154832 | 9613154833 | 9613154834 | 9613154835 |
| | | Actuator, complete (NC) | 9613154836 | 9613154836 | 9613163137 | 9613154838 | 9613154839 | 9613163140 |
| | | Actuator, complete (A/A) | 9613163141 | 9613163141 | 9613163142 | 9613163143 | 9613163144 | 9613163145 |
| 5 | 1 | Adapter, plastic (- 0115) | | | | | | |
| | 1 | Adapter, steel (0115 - 0518) | | | | | | |
| | 1 | Adapter, steel (0518 -) | 9615374701 | 9615374701 | 9615374701 | 9615374701 | 9615374701 | 9615374701 |
| 6 | □ | 2 Bushing | | | | | | |
| 7 | □ | 2 O-ring | | | | | | |
| 8 | □ | 2 O-ring | | | | | | |
| 9 | 1 | Plug | 9613414101 | 9613414101 | 9613414101 | 9613414101 | 9613414101 | 9613414101 |
| 12 | 1(2) | Air fitting | 9611994682 | 9611994682 | 9611994682 | 9611994682 | 9611994682 | 9611994682 |
| Clamp | | | | | | | | |
| 19 | 2 | Clamp | 9612939316 | 9612939316 | 9612939317 | 9612939318 | 9612939319 | 9612939320 |
| Bonnet | | | | | | | | |
| 20 | 1 | Bonnet | 9613142701 | 9613142701 | 9613142801 | 9613142901 | 9613143001 | 9613143101 |
| 24 | 1 | Bushing | 9613125002 | 9613125002 | 9613125002 | 9613125002 | 9613125002 | 9613125002 |
| Seat | | | | | | | | |
| 21 | ♦ | 2 O-ring, EPDM (standard) | | | | | | |
| | 2 | O-ring, NBR | | | | | | |
| | 2 | O-ring, FPM | | | | | | |
| | 1 | O-ring, set (10 pcs.) EPDM | 9614059422 | 9614059422 | 9614059425 | 9614059428 | 9614059431 | 9614059434 |
| | 1 | O-ring, set (10 pcs.) HNBR | 9614059423 | 9614059423 | 9614059426 | 9614059429 | 9614059432 | 9614059435 |
| | 1 | O-ring, set (10 pcs.) FPM | 9614059424 | 9614059424 | 9614059427 | 9614059430 | 9614059433 | 9614059436 |
| 28 | 1 | Seat | 9613127501 | 9613127502 | 9613127503 | 9613127504 | 9613127505 | 9613127506 |
| Valve body | | | | | | | | |
| 22 | 1 | Valve body, upper, 1 ports, clamp | 9613161501 | 9613161503 | 9613161505 | 9613161507 | 9613161509 | 9613161511 |
| | 1 | Valve body, upper, 2 ports, clamp | 9613161502 | 9613161504 | 9613161506 | 9613161508 | 9613161510 | 9613161512 |
| 26 | 1 | Valve body, upper, 1 ports, welding ends | 9613139313 | 9613139315 | 9613139317 | 9613139319 | 9613139321 | 9613139323 |
| | 1 | Valve body, upper, 2 ports, welding ends | 9613139314 | 9613139316 | 9613139318 | 9613139320 | 9613139322 | 9613139324 |
| | 1 | Valve body, lower, 2 ports, clamp | 9613161601 | 9613161603 | 9613161605 | 9613161607 | 9613161609 | 9613161611 |
| | 1 | Valve body, lower, 3 ports, clamp | 9613161602 | 9613161604 | 9613161606 | 9613161608 | 9613161610 | 9613161612 |
| | 1 | Valve body, lower, 2 ports, welding ends | 9613139513 | 9613139515 | 9613139517 | 9613139519 | 9613139521 | 9613139523 |
| | 1 | Valve body, lower, 3 ports, welding ends | 9613139514 | 9613139516 | 9613139518 | 9613139520 | 9613139522 | 9613139524 |
| Valve plug | | | | | | | | |
| 27 | 1 | Plug, change-over, complete, EPDM (standard) | 9613160001 | 9613160002 | 9613160003 | 9613160004 | 9613160005 | 9613160006 |
| | 1 | Plug, change-over, complete, HNBR | 9613160013 | 9613160014 | 9613160015 | 9613160016 | 9613160017 | 9613160018 |
| | 1 | Plug, change-over, complete, FPM | 9613160025 | 9613160026 | 9613160027 | 9613160028 | 9613160029 | 9613160030 |
| 27.1 | 1 | Plug, change-over | 9613143601 | 9613143901 | 9613143902 | 9613143903 | 9613143904 | 9613143905 |
| 27.2♦ | 2 | Plug seal, EPDM (standard) | | | | | | |
| | 2 | Plug seal, HNBR | | | | | | |
| | 2 | Plug seal, FPM | | | | | | |
| | 2 | Plug seal, set (10 pcs.) EPDM | 9614059401 | 9614059404 | 9614059407 | 9614059410 | 9614059413 | 9614059416 |
| | 2 | Plug seal, set (10 pcs.) HNBR | 9614059402 | 9614059405 | 9614059408 | 9614059411 | 9614059414 | 9614059417 |
| | 2 | Plug seal, set (10 pcs.) FPM | 9614059403 | 9614059406 | 9614059409 | 9614059412 | 9614059415 | 9614059418 |
| 29 | ♦ | 1 Diaphragm | | | | | | |
| | 1 | Diaphragm, set (10 pcs.) | 9614059437 | 9614059437 | 9614059438 | 9614059439 | 9614059440 | 9614059441 |
| 30 | 1 | Disc for diaphragm | 9613144001 | 9613144001 | 9613144101 | 9613144201 | 9613144301 | 9613144301 |
| 31 | 1 | Upper spindle | 9613144601 | 9613144601 | 9613143302 | 9613143302 | 9613143301 | 9613143301 |
| 32 | 1 | Air fitting | 9611994877 | 9611994877 | 9611994682 | 9611994682 | 9611994682 | 9611994682 |
| | | | 1" | 1½" | 2" | 2½" | 3" | 4" |

Actuator

| | | | | | | | | |
|---|--------------------------|-------------------|-------------------|-------------------|-------------------|-------------------|-------------------|-------------------|
| □ | Service kit | 9611926500 | 9611926500 | 9611926500 | 9611926500 | 9611926500 | 9611926500 | 9611926500 |
|---|--------------------------|-------------------|-------------------|-------------------|-------------------|-------------------|-------------------|-------------------|

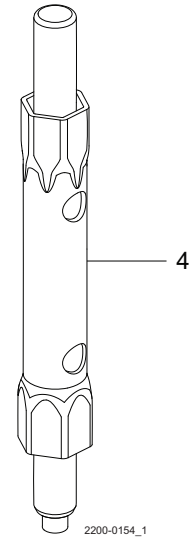
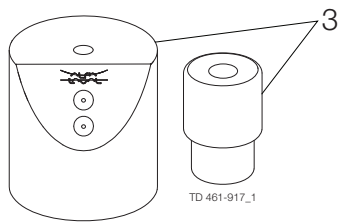
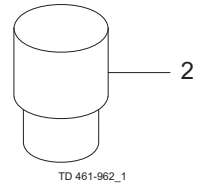
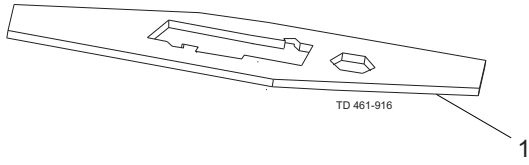
Product wetted parts

| | | | | | | | |
|---|--------------------------------|-------------------|-------------------|-------------------|-------------------|-------------------|-------------------|
| ♦ | Service kit, EPDM | 9611926615 | 9611926616 | 9611926617 | 9611926618 | 9611926619 | 9611926620 |
| ♦ | Service kit, HNBR | 9611926621 | 9611926622 | 9611926623 | 9611926624 | 9611926625 | 9611926626 |
| ♦ | Service kit, FPM | 9611926627 | 9611926628 | 9611926629 | 9611926630 | 9611926631 | 9611926632 |

Parts marked with □ are included in the service kits (actuator).

Parts marked with ♦ are included in the service kits (product wetted parts).

Recommended spare parts: Service kits.



Mounting tool

| Pos | Qty | Denomination | 25-63.5 mm | 76.1-101.6 mm |
|-----|-----|--------------|------------|---------------|
|-----|-----|--------------|------------|---------------|

| | | | | |
|---|---|--|------------|------------|
| 1 | 1 | Service tool for Maintainable actuator | 3135302191 | 9612455001 |
|---|---|--|------------|------------|

TD 900513

| Pos | Qty | Denomination | 25-101.6 mm |
|-----|-----|--------------|-------------|
|-----|-----|--------------|-------------|

| | | | |
|---|---|----------------------------------|------------|
| 2 | 1 | Tool for bushing (pos. 24) | 9613160901 |
|---|---|----------------------------------|------------|

TD 900519

| Pos | Qty | Denomination | DN 25 25 mm | DN 40 38 mm | DN 50 51 mm | DN 65 63.5 mm | DN 80 76.1 mm | DN 100 101.6 mm |
|-----|-----|--------------|----------------|----------------|----------------|------------------|------------------|--------------------|
|-----|-----|--------------|----------------|----------------|----------------|------------------|------------------|--------------------|

| | | | | | | | | |
|---|---|--|------------|------------|------------|------------|------------|------------|
| 3 | 1 | Mounting tool for elastomer plug seals | 9614060001 | 9614060002 | 9614060003 | 9614060003 | 9614060004 | 9614060004 |
|---|---|--|------------|------------|------------|------------|------------|------------|

TD 900-702

| Pos | Qty | Denomination | DN 25-100 25-101.6 mm |
|-----|-----|--------------|--------------------------|
|-----|-----|--------------|--------------------------|

| | | | |
|---|---|------------------------------------|------------|
| 4 | 1 | Tool for actuator bushing (pos. 6) | 9614198401 |
|---|---|------------------------------------|------------|

TD 900-701

How to contact Alfa Laval

Contact details for all countries are continually updated on our website.

Please visit www.alfalaval.com to access the information directly.

© Alfa Laval Corporate AB

This document and its contents is owned by Alfa Laval Corporate AB and protected by laws governing intellectual property and thereto related rights. It is the responsibility of the user of this document to comply with all applicable intellectual property laws. Without limiting any rights related to this document, no part of this document may be copied, reproduced or transmitted in any form or by any means (electronic, mechanical, photocopying, recording, or otherwise), or for any purpose, without the expressed permission of Alfa Laval Corporate AB. Alfa Laval Corporate AB will enforce its rights related to this document to the fullest extent of the law, including the seeking of criminal prosecution.