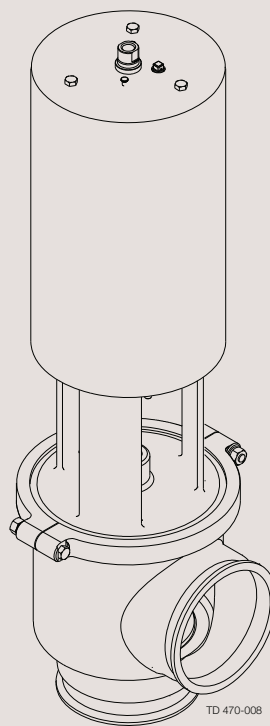




Spare Parts

Unique SSV - 6-inch valve



ESE00776-ENUS2 2018-12

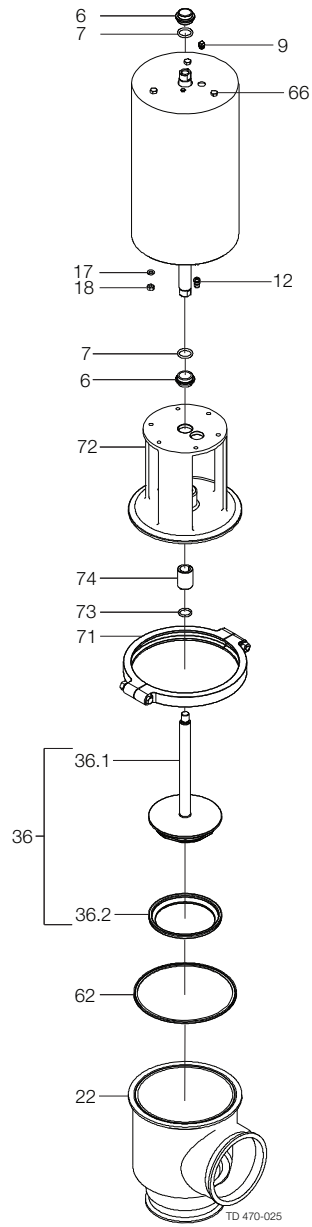
Original manual

Table of contents

The information herein is correct at the time of issue but may be subject to change without prior notice

1. 6-inch Valve - TR2 4

2. 6-inch Valve - low profile plug 6

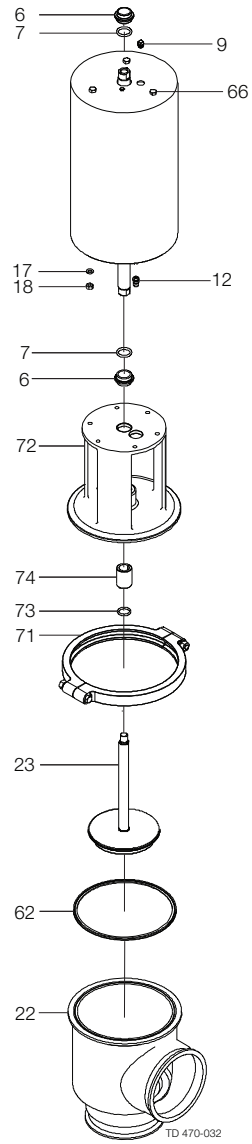


6-inch Valve - TR2

Pos	Qty	Denomination	6"
		Actuator, complete (NO)	9613463610
		Actuator, complete (NC)	9613463612
6	2	Bushing	9613462901
7	2	O-ring	9611994898
9	1	Plug	96134141-01
12	1	Air fitting	9634081459
66	3	Screw	9611991686
Yoke			
72	1	Yoke	9613463201
17	6	Washer	9611991888
18	6	Nut	9611990360
69	6	Pin bolt	9611993618
73	□	O-ring, EPDM	751956
	□	O-ring, SFY	751957
	□	O-ring, Buna	755452
74	1	Bushing	762507
Clamp			
71	1	Clamp	752068
62	1	Gasket, Buna	9634055798
	1	Gasket, EPDM	752055
Valve Body			
22	1	Valve body, 2 ports, clamp	9634052061
	1	Valve body, 3 ports, clamp	9634052202
	1	Valve body, 3 ports, clamp, inlet port weld	9634053181
	1	Valve body, 3 ports, clamp, 1 port and inlet port weld	9634052522
	1	Valve body, 2 ports, weld	9634052520
	1	Valve body, 3 ports, weld	9634052521
Valve body Tangential			
	1	Valve body, right, 2 ports, clamp	9634052220
	1	Valve body, left, 2 ports, clamp	9634052219
	1	Valve body, 3 ports, clamp	9634052217
	1	Valve body, 3 ports, clamp, right port and inlet port weld	9634052951
	1	Valve body, right, 2 ports, weld	773022
	1	Valve body, left, 2 ports, weld	773019
	1	Valve body, 3 ports, weld	773018
Valve plug			
36	1	Plug TR2, complete	9613463701
36.1	1	Plug TR2,	9613463801
36.2	□	Plug seal TR2, PTFE	9634054811

6"	
Service kit, EPDM	□ 9611926839
Service kit, SFY/EPDM	□ 9611926840
Service kit, Buna	□ 9611926841

Parts marked with □ are included in the service kits (product wetted parts)



6-inch Valve - low profile plug

Pos	Qty	Denomination	6"
		Actuator, complete (NO)	9613463610
		Actuator, complete (NC)	9613463612
6	2	Bushing	9613462901
7	2	O-ring	9611994898
9	1	Plug	96134141-01
12	1	Air fitting	9634081459
66	3	Screw	9611991686
Yoke			
72	1	Yoke	9613463201
17	6	Washer	9611991888
18	6	Nut	9611990360
69	6	Pin bolt	9611993618
73	□	O-ring, EPDM	751956
	□	O-ring, SFY	751957
	□	O-ring, Buna	755452
74	1	Bushing	762507
Clamp			
71	1	Clamp	752068
62	□	Gasket, Buna	9634055798
	□	Gasket, EPDM	752055
Valve body			
22	1	Valve body, 2 ports, clamp	9634052061
	1	Valve body, 3 ports, clamp	9634052202
	1	Valve body, 3 ports, clamp, inlet port weld	9634053181
	1	Valve body, 3 ports, clamp, 1 port and inlet port weld	9634052522
	1	Valve body, 2 ports, weld	9634052520
	1	Valve body, 3 ports, weld	9634052521
Valve body Tangential			
	1	Valve body, right, 2 ports, clamp	9634052220
	1	Valve body, left, 2 ports, clamp	9634052219
	1	Valve body, 3 ports, clamp	9634052217
	1	Valve body, 3 ports, clamp, right port and inlet port weld	9634052951
	1	Valve body, right, 2 ports, weld	773022
	1	Valve body, left, 2 ports, weld	773019
	1	Valve body, 3 ports, weld	773018
Valve Plug			
23	1	LP Plug, complete, EPDM	9613464001
	1	LP Plug, complete, SFY	9613464002
	1	LP Plug, complete, Buna	9613464003

6"

Service kit, EPDM	□	9611926842
Service kit, SFY/EPDM	□	9611926843
Service kit, Buna	□	9611926844

Parts marked with □ are included in the service kits (product wetted parts)

How to contact Alfa Laval

Contact details for all countries are continually updated on our website.

Please visit www.alfalaval.com to access the information directly.

© Alfa Laval Corporate AB

This document and its contents is owned by Alfa Laval Corporate AB and protected by laws governing intellectual property and thereto related rights. It is the responsibility of the user of this document to comply with all applicable intellectual property laws. Without limiting any rights related to this document, no part of this document may be copied, reproduced or transmitted in any form or by any means (electronic, mechanical, photocopying, recording, or otherwise), or for any purpose, without the expressed permission of Alfa Laval Corporate AB. Alfa Laval Corporate AB will enforce its rights related to this document to the fullest extent of the law, including the seeking of criminal prosecution.