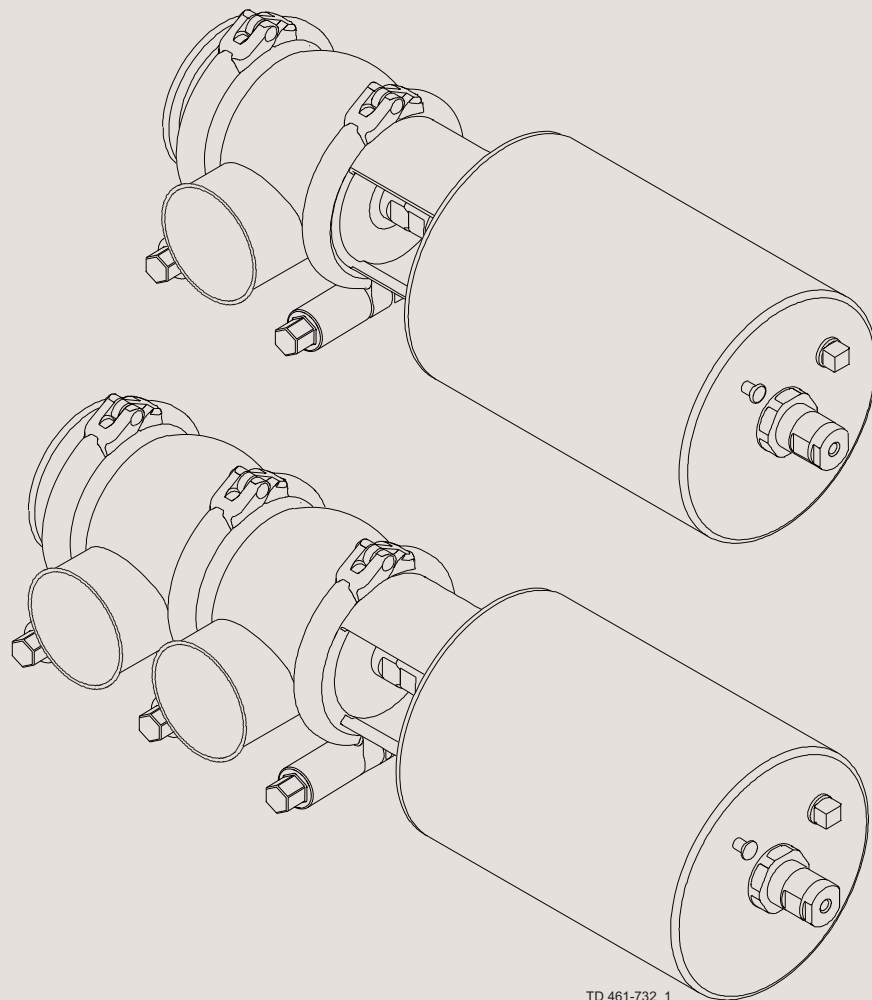




## Spare Parts

### Unique SSV - Tangential



TD 461-732\_1

ESE00591-ENUS7

2020-07

Original manual



---

*The information herein is correct at the time of issue but may be subject to change without prior notice*

1. Important information .....	4
2. Shut-off valve - TR2 .....	6
3. Change-over valve - TR2 .....	8
4. Shut-off valve - elastomer plug seal .....	10
5. Change-over valve - elastomer plug seal .....	12
6. Mounting tools .....	14

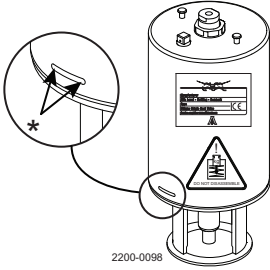
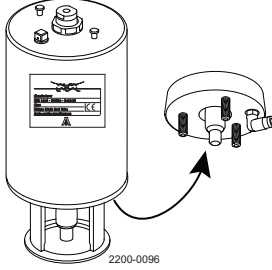

# 1 Important information

## Different actuator types for the SSV valve

In June 2016 the below change was implemented and the “removable yoke with bolts” version is thereby phased out and replaced by the “yoke without bolts” version.

### NOTE

It is important to check for warnings marked on the actuator when servicing an actuator - see below table.

<p><b>Actuator type</b></p>	<p><b>Non-maintainable actuator</b> Spring under load and <b>CANNOT</b> be opened</p>  <p>*) Lock wire opening is locked when warning is marked on actuator</p>	<p><b>Fully maintainable actuator</b> Spring cage and can be opened</p> 	<p><b>Fully maintainable actuator</b> Spring cage and can be opened</p> 
<p><b>Yoke type</b></p>	<p>Non-removable yoke</p>	<p>“Removable yoke with bolts”. If the yoke with bolts is damaged it has to be replaced by the “yoke without bolts”</p>	<p>“Yoke without bolts”</p>
<p><b>Service</b></p>	<p>Not possible to service internally (it is not possible to change piston o-rings)</p>	<p>Yes</p>	<p>Yes</p>
<p><b>Marked with warnings</b></p>	<p>Yes</p>	<p>No</p>	<p>No</p>
<p><b>Year of production</b></p>	<p>From 2006</p>	<p>From 2006 to June 2016</p>	<p>From June 2016</p>



## Shut-off valve - TR2

If the actuator is marked with a danger warning do **NOT** attempt to cut the actuator open.



Do **NOT** attempt to disassemble the actuator due to spring under load danger.

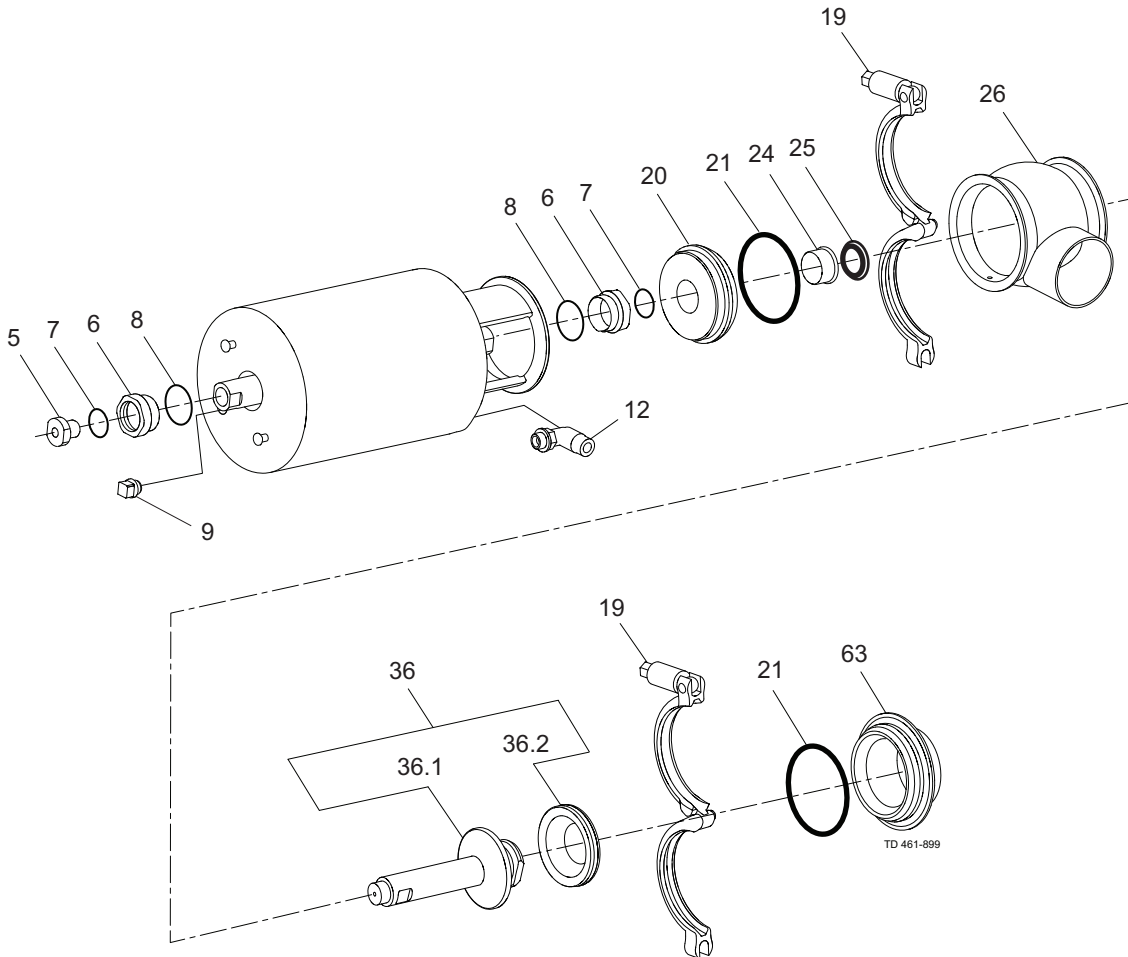


Do **NOT** attempt to cut the actuator open, due to spring under load danger.

AND



Do **NOT** attempt to cut the actuator open, due to spring under load danger.



Shut-off valve - TR2

Pos	Qty	Denomination	2"	2½"	3"	4"
		Actuator, complete (NO) .....	9613154832	9613154833	9613154834	9613154835
		Actuator, complete (NC) .....	9613163137	9613154838	9613154839	9613163140
		Actuator, complete (A/A) .....	9613163142	9613163143	9613163144	9613163145
5	1	Adapter, plastic (- 0115) .....				
	1	Adapter, steel (0115 - 0518) .....				
	1	Adapter, steel (0518 -) .....	9615374701	9615374701	9615374701	9615374701
6	□	2 Bushing .....				
7	□	2 O-ring .....				
8	□	2 O-ring .....				
9		1 Plug .....	9613414101	9613414101	9613414101	9613414101
12	1(2)	Air fitting .....	9611994682	9611994682	9611994682	9611994682
<b>Clamp</b>						
19	2	Clamp .....	9612939323	9612939324	9612939325	9612939326
<b>Bonnet</b>						
20	1	Bonnet .....	9613127103	9613127104	9613127105	9613127106
21	◆	2 O-ring, EPDM (standard) .....				
	2	O-ring, HNBR .....				
	2	O-ring, FPM .....				
		O-ring, set (10 pcs.) EPDM .....	9614059425	9614059428	9614059431	9614059434
		O-ring, set (10 pcs.) HNBR .....	9614059426	9614059429	9614059432	9614059435
		O-ring, set (10 pcs.) FPM .....	9614059427	9614059430	9614059433	9614059436
24	1	Bushing .....	9613125002	9613125002	9613125002	9613125002
25	◆	1 Lip seal, EPDM (standard) .....				
	1	Lip seal, HNBR .....				
	1	Lip seal, FPM .....				
		Lip seal, set (10 pcs.) EPDM .....	9614059419	9614059419	9614059419	9614059419
		Lip seal, set (10 pcs.) HNBR .....	9614059420	9614059420	9614059420	9614059420
		Lip seal, set (10 pcs.) FPM .....	9614059421	9614059421	9614059421	9614059421
<b>Valve Body</b>						
26	1	Valve body, 1 port, clamp .....	9613169002	9613169004	9613169006	9613169008
	1	Valve body, 2 ports, clamp .....	9613169018	9613169020	9613169022	9613169024
	1	Valve body, 1 port, welding ends .....	9613444809	9613444811	9613444813	9613444815
	1	Valve body, 2 ports, welding ends .....	9613444810	9613444812	9613444814	9613444816
63	1	Port seal element, clamp .....	9634070601	9634070701	9634070801	9634070901
	1	Port seal element, welding ends .....	9634071101	9634071201	9634071301	9634071401
<b>Valve Plug</b>						
36	1	Plug, shut-off, complete .....	9613155803	9613155804	9613155805	9613155806
36.1	1	Plug, shut-off .....	9613151102	9613151103	9613151104	9613151105
36.2◆	1	Plug seal, PTFE .....				
		Plug seal, set (10 pcs.) PTFE .....	9614059450	9614059451	9614059452	9614059453
			<b>2"</b>	<b>2½"</b>	<b>3"</b>	<b>4"</b>

**Actuator**

□	Service kit .....	9611926500	9611926500	9611926500	9611926500
---	-------------------	------------	------------	------------	------------

**Product wetted parts**

◆	Service kit, EPDM .....	9611926767	9611926768	9611926769	9611926770
◆	Service kit, HNBR .....	9611926771	9611926772	9611926773	9611926774
◆	Service kit, FPM .....	9611926775	9611926776	9611926777	9611926778

Recommended spare parts: Service kits

Parts marked with □ are included in the service kits (actuator).

Parts marked with ◆ are included in the service kits (product wetted parts).

## Change-over valve - TR2

If the actuator is marked with a danger warning do **NOT** attempt to cut the actuator open.



Do **NOT** attempt to disassemble the actuator due to spring under load danger.

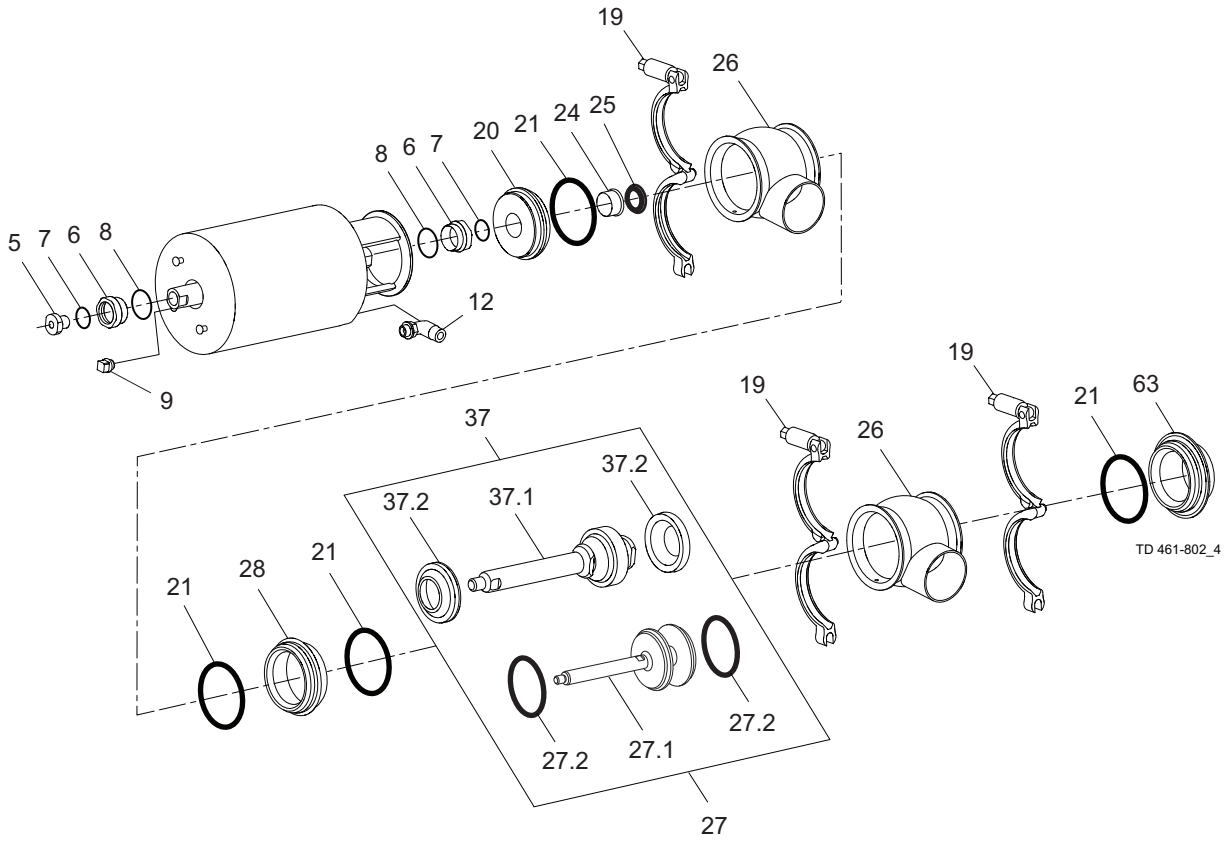


Do **NOT** attempt to cut the actuator open, due to spring under load danger.

AND



Do **NOT** attempt to cut the actuator open, due to spring under load danger.



## Change-over valve - TR2

Pos	Qty	Denomination	2"	2½"	3"	4"
		Actuator, complete (NO) .....	9613154832	9613154833	9613154834	9613154835
		Actuator, complete (NC) .....	9613163137	9613154838	9613154839	9613163140
		Actuator, complete (A/A) .....	9613163142	9613163143	9613163144	9613163145
5	1	Adapter, plastic (- 0115) .....				
	1	Adapter, steel (0115 - 0518) .....				
	1	Adapter, steel (0518 -) .....	9615374701	9615374701	9615374701	9615374701
6	□	2 Bushing .....				
7	□	2 O-ring .....				
8	□	2 O-ring .....				
9	1	Plug .....	9613414101	9613414101	9613414101	9613414101
12	1(2)	Air fitting .....	9611994682	9611994682	9611994682	9611994682
<b>Clamp</b>						
19	3	Clamp .....	9612939323	9612939324	9612939325	9612939326
<b>Bonnet</b>						
20	1	Bonnet .....	9613127103	9613127104	9613127105	9613127106
21	◆	4 O-ring, EPDM (standard) .....				
	4	O-ring, HNBR .....				
	4	O-ring, FPM .....				
		O-ring, set (10 pcs.) EPDM .....	9614059425	9614059428	9614059431	9614059434
		O-ring, set (10 pcs.) HNBR .....	9614059426	9614059429	9614059432	9614059435
		O-ring, set (10 pcs.) FPM .....	9614059427	9614059430	9614059433	9614059436
24	1	Bushing .....	9613125002	9613125002	9613125002	9613125002
25	◆	1 Lip seal, EPDM (standard) .....				
	1	Lip seal, HNBR .....				
	1	Lip seal, FPM .....				
		Lip seal, set (10 pcs.) EPDM .....	9614059419	9614059419	9614059419	9614059419
		Lip seal, set (10 pcs.) HNBR .....	9614059420	9614059420	9614059420	9614059420
		Lip seal, set (10 pcs.) FPM .....	9614059421	9614059421	9614059421	9614059421
<b>Seat</b>						
28	1	Seat .....	9613127503	9613127504	9613127505	9613127506
<b>Valve Body</b>						
26	2	Valve body, 1 port, clamp .....	9613169002	9613169004	9613169006	9613169008
	2	Valve body, 2 ports, clamp .....	9613169018	9613169020	9613169022	9613169024
	2	Valve body, 1 port, welding ends .....	9613444809	9613444811	9613444813	9613444815
	2	Valve body, 2 ports, welding ends .....	9613444810	9613444812	9613444814	9613444816
63	1	Port seal element, clamp .....	9634070601	9634070701	9634070801	9634070901
	1	Port seal element, welding ends .....	9634071101	9634071201	9634071301	9634071401
<b>Valve Plug</b>						
37	1	Plug, change-over, complete .....	9613155503	9613155504	9613155505	9613155506
37.1	1	Plug, change-over .....	9613155402	9613155403	9613155404	9613155405
37.2◆	2	Plug seal, PTFE .....				
		Plug seal, set (10 pcs.) PTFE .....	9614059450	9614059451	9614059452	9614059453
			<b>2"</b>	<b>2½"</b>	<b>3"</b>	<b>4"</b>

### Actuator

Service kit ..... 9611926500 9611926500 9611926500 9611926500

### Product wetted parts

Service kit, EPDM ..... 9611926779 9611926780 9611926781 9611926782

Service kit, HNBR ..... 9611926783 9611926784 9611926785 9611926786

Service kit, FPM ..... 9611926787 9611926788 9611926789 9611926790

Recommended spare parts: Service kits

Parts marked with □ are included in the service kits (actuator).

Parts marked with ◆ are included in the service kits (product wetted parts).

TD 900488/2

## Shut-off valve - elastomer plug seal

If the actuator is marked with a danger warning do **NOT** attempt to cut the actuator open.



Do **NOT** attempt to disassemble the actuator due to spring under load danger.

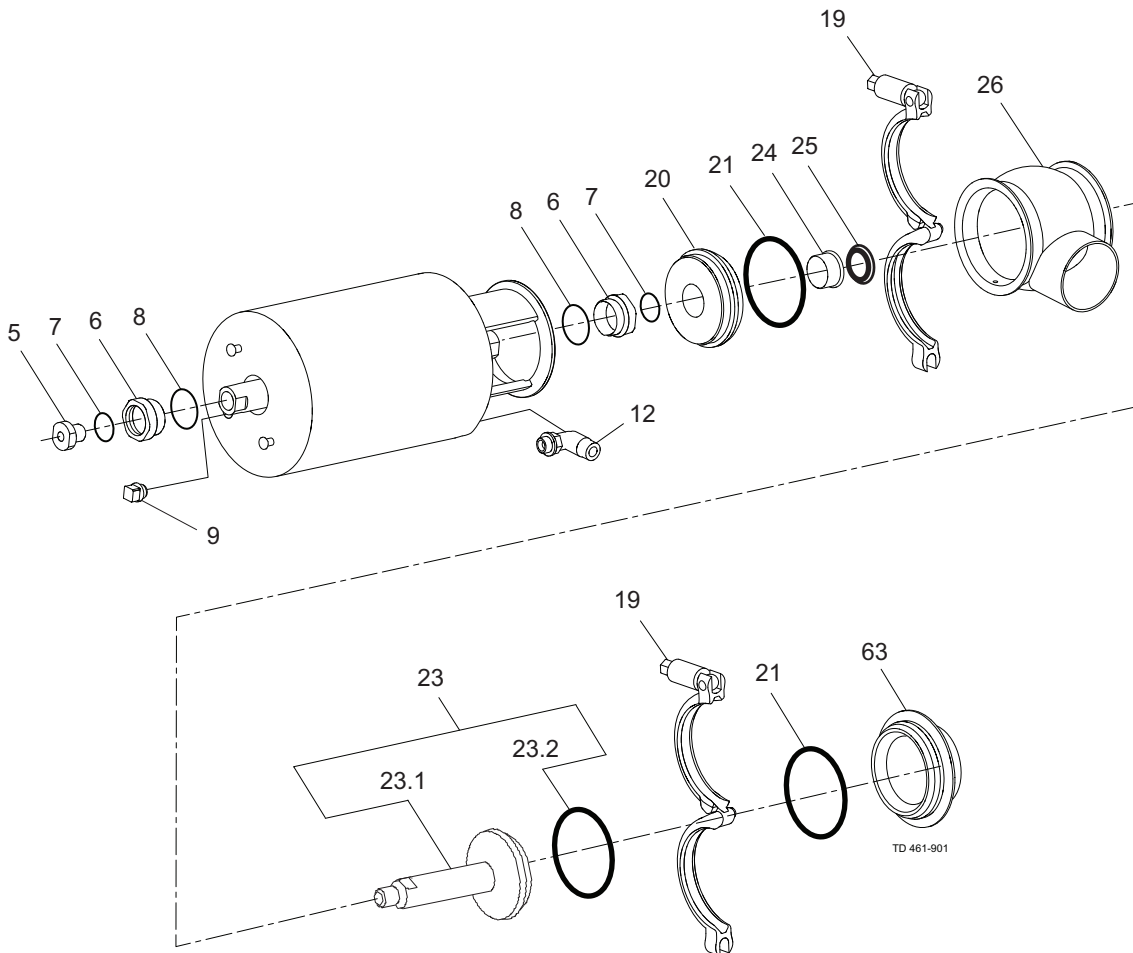


Do **NOT** attempt to cut the actuator open, due to spring under load danger.

AND



Do **NOT** attempt to cut the actuator open, due to spring under load danger.



## Shut-off valve - elastomer plug seal

Pos	Qty	Denomination	2"	2½"	3"	4"
		Actuator, complete (NO) .....	9613154832	9613154833	9613154834	9613154835
		Actuator, complete (NC) .....	9613163137	9613154838	9613154839	9613163140
		Actuator, complete (A/A) .....	9613163142	9613163143	9613163144	9613163145
5	1	Adapter, plastic (- 0115) .....				
	1	Adapter, steel (0115 - 0518) .....				
	1	Adapter, steel (0518 -) .....	9615374701	9615374701	9615374701	9615374701
6	□	2 Bushing .....				
7	□	2 O-ring .....				
8	□	2 O-ring .....				
9	1	1 Plug .....	9613414101	9613414101	9613414101	9613414101
12	1(2)	Air fitting .....	9611994682	9611994682	9611994682	9611994682
<b>Clamp</b>						
19	2	Clamp .....	9612939323	9612939324	9612939325	9612939326
<b>Bonnet</b>						
20	1	Bonnet .....	9613127103	9613127104	9613127105	9613127106
21	♦	2 O-ring, EPDM (standard) .....				
	2	O-ring, HNBR .....				
	2	O-ring, FPM .....				
		O-ring, set (10 pcs.) EPDM .....	9614059425	9614059428	9614059431	9614059434
		O-ring, set (10 pcs.) HNBR .....	9614059426	9614059429	9614059432	9614059435
		O-ring, set (10 pcs.) FPM .....	9614059427	9614059430	9614059433	9614059436
24	1	Bushing .....	9613125002	9613125002	9613125002	9613125002
25	♦	1 Lip seal, EPDM (standard) .....				
	1	Lip seal, HNBR .....				
	1	Lip seal, FPM .....				
		Lip seal, set (10 pcs.) EPDM .....	9614059419	9614059419	9614059419	9614059419
		Lip seal, set (10 pcs.) HNBR .....	9614059420	9614059420	9614059420	9614059420
		Lip seal, set (10 pcs.) FPM .....	9614059421	9614059421	9614059421	9614059421
<b>Valve Body</b>						
26	1	Valve body, 1 port, clamp .....	9613169002	9613169004	9613169006	9613169008
	1	Valve body, 2 ports, clamp .....	9613169018	9613169020	9613169022	9613169024
	1	Valve body, 1 port, welding ends .....	9613444809	9613444811	9613444813	9613444815
	1	Valve body, 2 ports, welding ends .....	9613444810	9613444812	9613444814	9613444816
63	1	Port seal element, clamp .....	9634070601	9634070701	9634070801	9634070901
	1	Port seal element, welding ends .....	9634071101	9634071201	9634071301	9634071401
<b>Valve Plug</b>						
23	1	Plug, shut off, complete, EPDM (standard) .....	9613138803	9613138804	9613138805	9613138806
	1	Plug, shut off, complete, HNBR .....	9613138815	9613138816	9613138817	9613138818
	1	Plug, shut off, complete, FPM .....	9613138827	9613138828	9613138829	9613138830
23.1	1	Plug, shut off .....	9613139803	9613139804	9613139805	9613139806
23.2♦	1	Plug seal, EPDM (standard) .....				
	1	Plug seal, HNBR .....				
	1	Plug seal, FPM .....				
		Plug seal, set (10 pcs.) EPDM .....	9614059407	9614059410	9614059413	9614059416
		Plug seal, set (10 pcs.) HNBR .....	9614059408	9614059411	9614059414	9614059417
		Plug seal, set (10 pcs.) FPM .....	9614059409	9614059412	9614059415	9614059418
			<b>2"</b>	<b>2½"</b>	<b>3"</b>	<b>4"</b>
<b>Actuator</b>						
		Service kit .....	9611926500	9611926500	9611926500	9611926500
<b>Product wetted parts</b>						
		Service kit, EPDM .....	9611926743	9611926744	9611926745	9611926746
		Service kit, HNBR .....	9611926747	9611926748	9611926749	9611926750
		Service kit, FPM .....	9611926751	9611926752	9611926753	9611926754

Recommended spare parts: Service kits

Parts marked with □ are included in the service kits (actuator).

Parts marked with ♦ are included in the service kits (product wetted parts).

TD 900489/1

## Change-over valve - elastomer plug seal

If the actuator is marked with a danger warning do **NOT** attempt to cut the actuator open.



Do **NOT** attempt to disassemble the actuator due to spring under load danger.

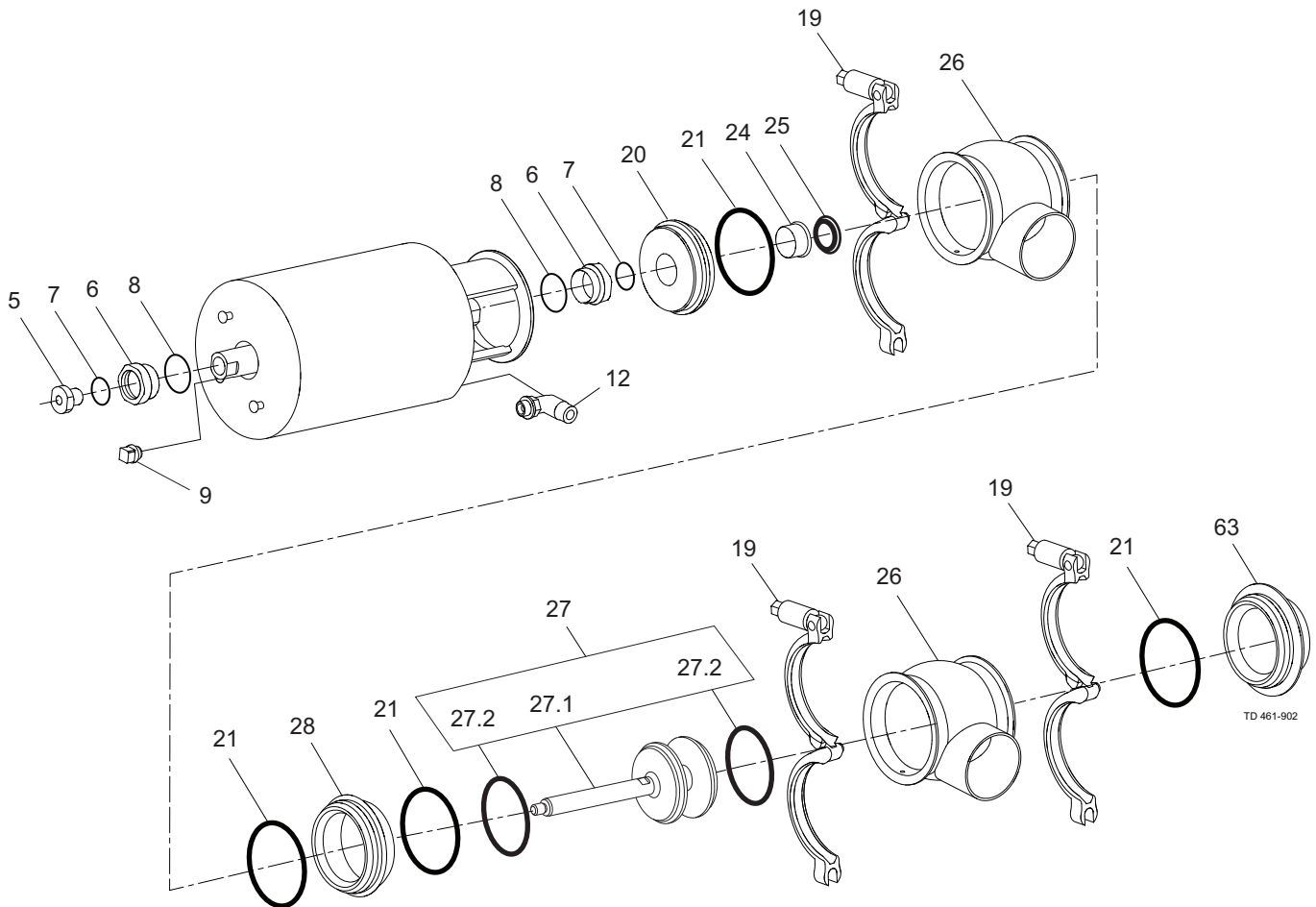


Do **NOT** attempt to cut the actuator open, due to spring under load danger.

AND



Do **NOT** attempt to cut the actuator open, due to spring under load danger.



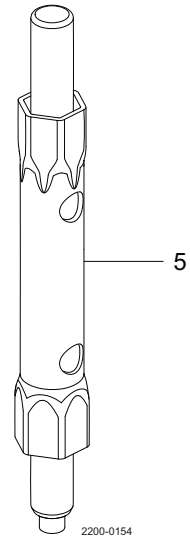
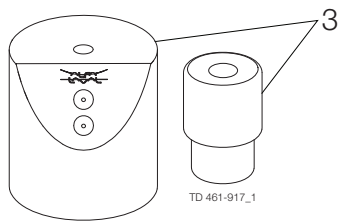
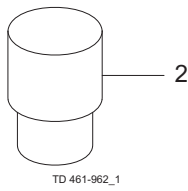
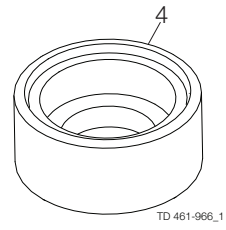
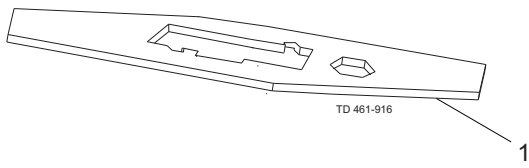
## Change-over valve - elastomer plug seal

Pos	Qty	Denomination	2"	2½"	3"	4"
		Actuator, complete (NO) .....	9613154832	9613154833	9613154834	9613154835
		Actuator, complete (NC) .....	9613154837	9613154838	9613154839	9613154840
		Actuator, complete (A/A) .....	9613154842	9613154843	9613154844	9613154845
5	1	Adapter, plastic (- 0115) .....				
	1	Adapter, steel (0115 - 0518) .....				
	1	Adapter, steel (0518 -) .....	9615374701	9615374701	9615374701	9615374701
6	□	2 Bushing .....				
7	□	2 O-ring .....				
8	□	2 O-ring .....				
9	1	1 Plug .....	9613414101	9613414101	9613414101	9613414101
12	1(2)	Air fitting .....	9611994682	9611994682	9611994682	9611994682
<b>Clamp</b>						
19	3	Clamp .....	9612939323	9612939324	9612939325	9612939326
<b>Bonnet</b>						
20	1	Bonnet .....	9613127103	9613127104	9613127105	9613127106
21	◆	4 O-ring, EPDM (standard) .....				
	4	O-ring, HNBR .....				
	4	O-ring, FPM .....				
		O-ring, set (10 pcs.) EPDM .....	9614059425	9614059428	9614059431	9614059434
		O-ring, set (10 pcs.) HNBR .....	9614059426	9614059429	9614059432	9614059435
		O-ring, set (10 pcs.) FPM .....	9614059427	9614059430	9614059433	9614059436
24	1	Bushing .....	9613125002	9613125002	9613125002	9613125002
25	◆	1 Lip seal, EPDM (standard) .....				
	1	Lip seal, HNBR .....				
	1	Lip seal, FPM .....				
		Lip seal, set (10 pcs.) EPDM .....	9614059419	9614059419	9614059419	9614059419
		Lip seal, set (10 pcs.) HNBR .....	9614059420	9614059420	9614059420	9614059420
		Lip seal, set (10 pcs.) FPM .....	9614059421	9614059421	9614059421	9614059421
<b>Seat</b>						
28	1	Seat .....	9613127503	9613127504	9613127505	9613127506
<b>Valve Body</b>						
26	2	Valve body, 1 port, clamp .....	9613169002	9613169004	9613169006	9613169008
	2	Valve body, 2 ports, clamp .....	9613169018	9613169020	9613169022	9613169024
	2	Valve body, 1 port, welding ends .....	9613444809	9613444811	9613444813	9613444815
	2	Valve body, 2 ports, welding ends .....	9613444810	9613444812	9613444814	9613444816
63	1	Port seal element, clamp .....	9634070601	9634070701	9634070801	9634070901
	1	Port seal element, welding ends .....	9634071101	9634071201	9634071301	9634071401
<b>Valve Plug</b>						
27	1	Plug, change over, ISO complete, EPDM (standard) .....	9613127703	9613127704	9613127705	9613127706
	1	Plug, change over, ISO complete, HNBR .....	9613127715	9613127716	9613127717	9613127718
	1	Plug, change over, ISO complete, FPM .....	9613127727	9613127728	9613127729	9613127730
27.1	1	Plug, change over, ISO .....	9613140003	9613140004	9613140005	9613140006
27.2◆	2	Plug seal, EPDM (standard) .....				
	2	Plug seal, HNBR .....				
	2	Plug seal, FPM .....				
		Plug seal, set (10 pcs.) EPDM .....	9614059407	9614059410	9614059413	9614059416
		Plug seal, set (10 pcs.) HNBR .....	9614059408	9614059411	9614059414	9614059417
		Plug seal, set (10 pcs.) FPM .....	9614059409	9614059412	9614059415	9614059418
			<b>2"</b>	<b>2½"</b>	<b>3"</b>	<b>4"</b>
<b>Actuator</b>						
		<b>Service kit</b> .....	<b>9611926500</b>	<b>9611926500</b>	<b>9611926500</b>	<b>9611926500</b>
<b>Product wetted parts</b>						
		<b>Service kit, EPDM</b> .....	<b>9611926755</b>	<b>9611926756</b>	<b>9611926757</b>	<b>9611926758</b>
		<b>Service kit, HNBR</b> .....	<b>9611926759</b>	<b>9611926760</b>	<b>9611926761</b>	<b>9611926762</b>
		<b>Service kit, FPM</b> .....	<b>9611926763</b>	<b>9611926764</b>	<b>9611926765</b>	<b>9611926766</b>

Recommended spare parts: Service kits

Parts marked with □ are included in the service kits (actuator).

Parts marked with ◆ are included in the service kits (product wetted parts).



## Mounting tools

---

Pos	Qty	Denomination	1" - 2½"	3" - 4"
1	1	Service tool for maintainable actuator .....	3135302191	9612454001

TD 900513/2

Pos	Qty	Denomination	1" - 4"
2	1	Tool for bushing (pos. 24) .....	9613160901

TD 900519/2

Pos	Qty	Denomination	2"	2½"	3"	4"
3	1	Mounting tool for elastomer plug seals .....	9613172902	9613172902	9613172903	9613172903
4	1	Mounting tool for TR2 plugs .....	9613163202	9613163203	9613163204	9613163205

TD 900-512/2

Pos	Qty	Denomination	1"-4"
5	1	Tool for actuator bushing (pos. 6) .....	9614198401

TD 900-701

**How to contact Alfa Laval**

Contact details for all countries are continually updated on our website.

Please visit [www.alfalaval.com](http://www.alfalaval.com) to access the information directly.

© Alfa Laval Corporate AB

This document and its contents is owned by Alfa Laval Corporate AB and protected by laws governing intellectual property and thereto related rights. It is the responsibility of the user of this document to comply with all applicable intellectual property laws. Without limiting any rights related to this document, no part of this document may be copied, reproduced or transmitted in any form or by any means (electronic, mechanical, photocopying, recording, or otherwise), or for any purpose, without the expressed permission of Alfa Laval Corporate AB. Alfa Laval Corporate AB will enforce its rights related to this document to the fullest extent of the law, including the seeking of criminal prosecution.