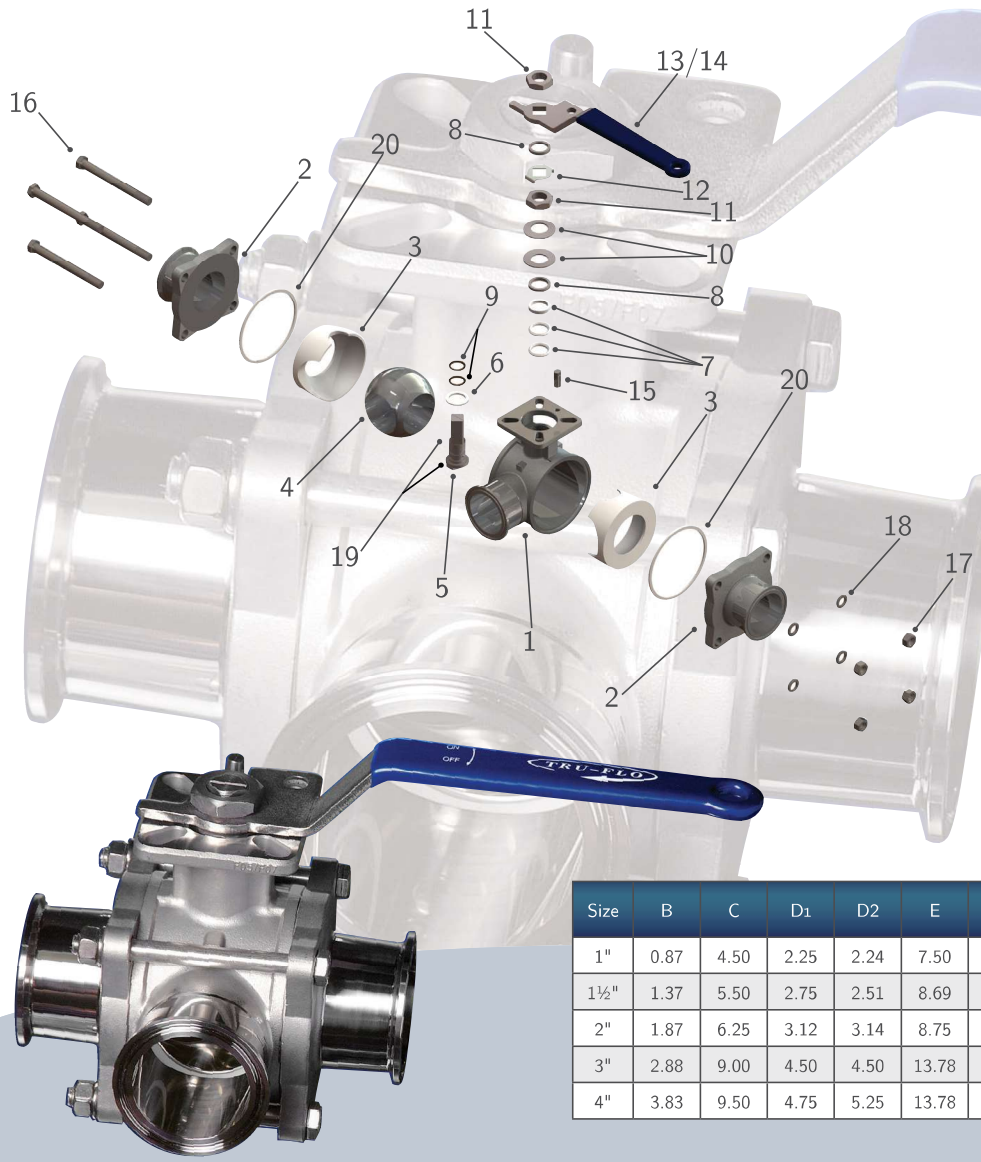


EA-3308-SN-L/T DIVERTER SERIES



Item	Part (Qty)	Material
1	Body	CF3M/316L
2	End Caps (2)	CF3M/316L
3	Seats (2)	PTFE
4	Ball	SUS 316
5	Stem	SUS 316
6	Gasket	PTFE
7	Stem Seals (3)	PTFE
8	Gland Ring (2)	SUS 304
9	O-ring	VITON®
10	Belleville Spring Washer (2)	SUS 301
11	Lever Nut (2)	SUS 304
12	Locking Tab	SUS 304
13	Handle	SUS 304
14	Plastic Coating	Vinyl
15	Stop Screw	SUS 304
16	Bolts	SUS 304
17	Bolts Nut	SUS 304
18	Lock Washer	SUS 304
19	Static Device	SUS 316
20	Body Gaskets (2)	PTFE

Size	B	C	D ₁	D ₂	E	F	G	ISO5211	Stem (mm)	Weight (lbs)
1"	0.87	4.50	2.25	2.24	7.50	3.40	1.12	F04/F05	11	3.5
1½"	1.37	5.50	2.75	2.51	8.69	4.50	1.53	F05/F07	14	6
2"	1.87	6.25	3.12	3.14	8.75	4.50	1.92	F05/F07	14	9.5
3"	2.88	9.00	4.50	4.50	13.78	6.45	2.91	F07/F10	17	15
4"	3.83	9.50	4.75	5.25	13.78	7.25	3.50	F07/F10	17	23

