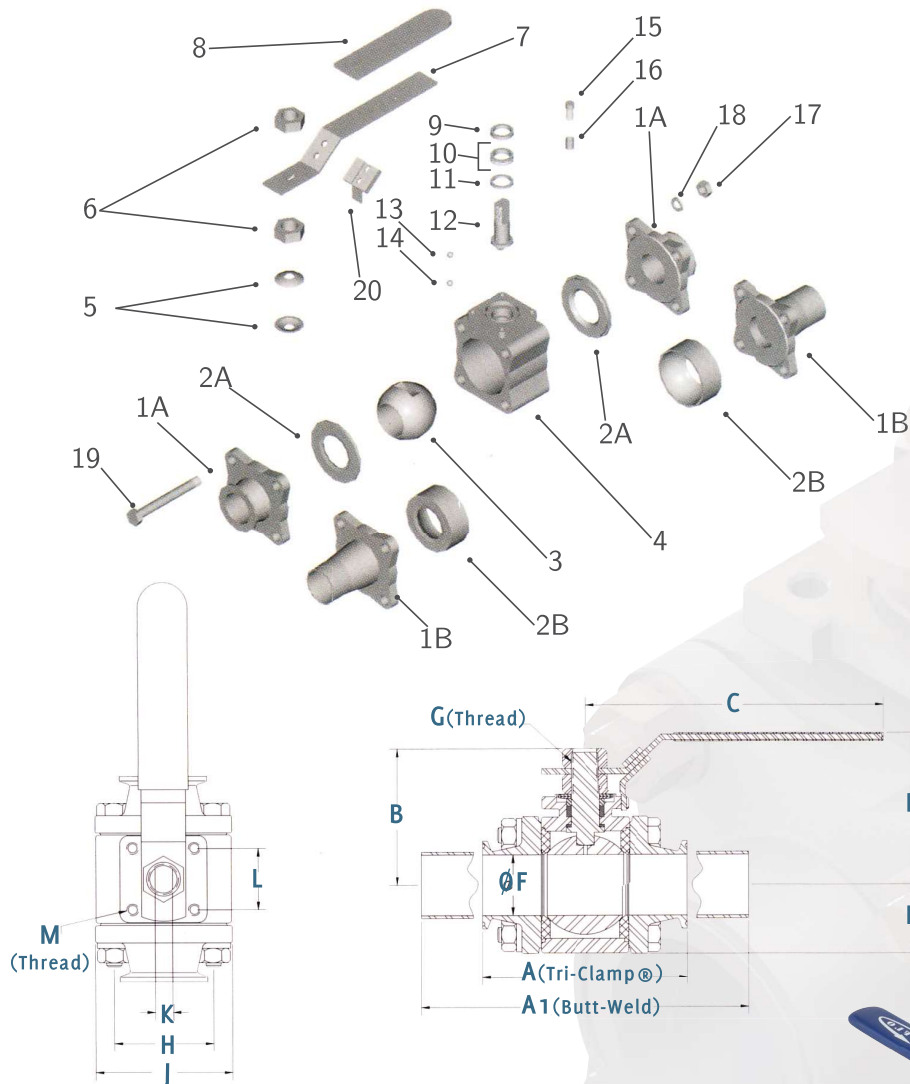


TF-5308/5309



Item	Part (Qty)	Material
1A	Tri-Clamp® End Cap (2)	T316L Stainless Steel
1B	Butt Weld End Cap (2)	T316L Stainless Steel
2A	Standard Seat (2)	TFM1600
2B	Cavity Fill Seat (2)	TFM1600
3	Ball	T316L Stainless Steel
4	Valve Body	T316L Stainless Steel
5	Belleville Washer (2)	T304 Stainless Steel
6	Lever Nut	T304 Stainless Steel
7	Handle	T304 Stainless Steel
8	Handle Cover	Vinyl
9	Gland Ring	Stainless Steel
10	Stem Seal (3)	TFM1600
11	Stem Gasket	TFM1600
12	Stem	T316L Stainless Steel
13	Springs (2)	T304 Stainless Steel
14	Static Device (2)	T304 Stainless Steel
15	Stop Screw	T304 Stainless Steel
16	Handle Stop	T303 Stainless Steel
17	Hex Nut (4)	T304 Stainless Steel
18	Spring Washer (4)	T304 Stainless Steel
19	Bolt (4)	T304 Stainless Steel
20	Handle Lock	T304 Stainless Steel



1/2" to 2"

Size	A	A1	B	C	D	E	F	G	H	J	K	L	M
1/2"	3.50	6.06	1.75	4.33	2.05	0.75	0.37	5/16-24	1.18	1.62	0.20	1.00	M5
3/4"	3.50	6.06	1.87	4.33	2.27	1.00	0.63	3/8-24	1.43	2.00	0.24	1.00	M5
1"	3.50	6.55	2.50	5.32	2.93	1.06	0.87	1/2-20	1.68	2.25	0.31	1.3	M5
1 1/2"	4.50	8.06	3.18	6.50	3.50	1.50	1.37	5/8-18	2.38	3.00	0.39	1.4	M6
2"	5.00	8.56	3.38	6.50	3.96	1.75	1.87	5/8-18	2.88	3.65	0.39	1.5	M6